

Geared servo motors



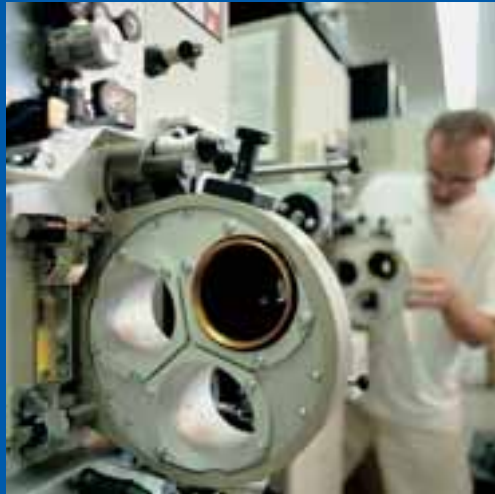
G-motion servo MD

G-motion servo MD

No matter which drive solution you imagine, we make your dreams come true.

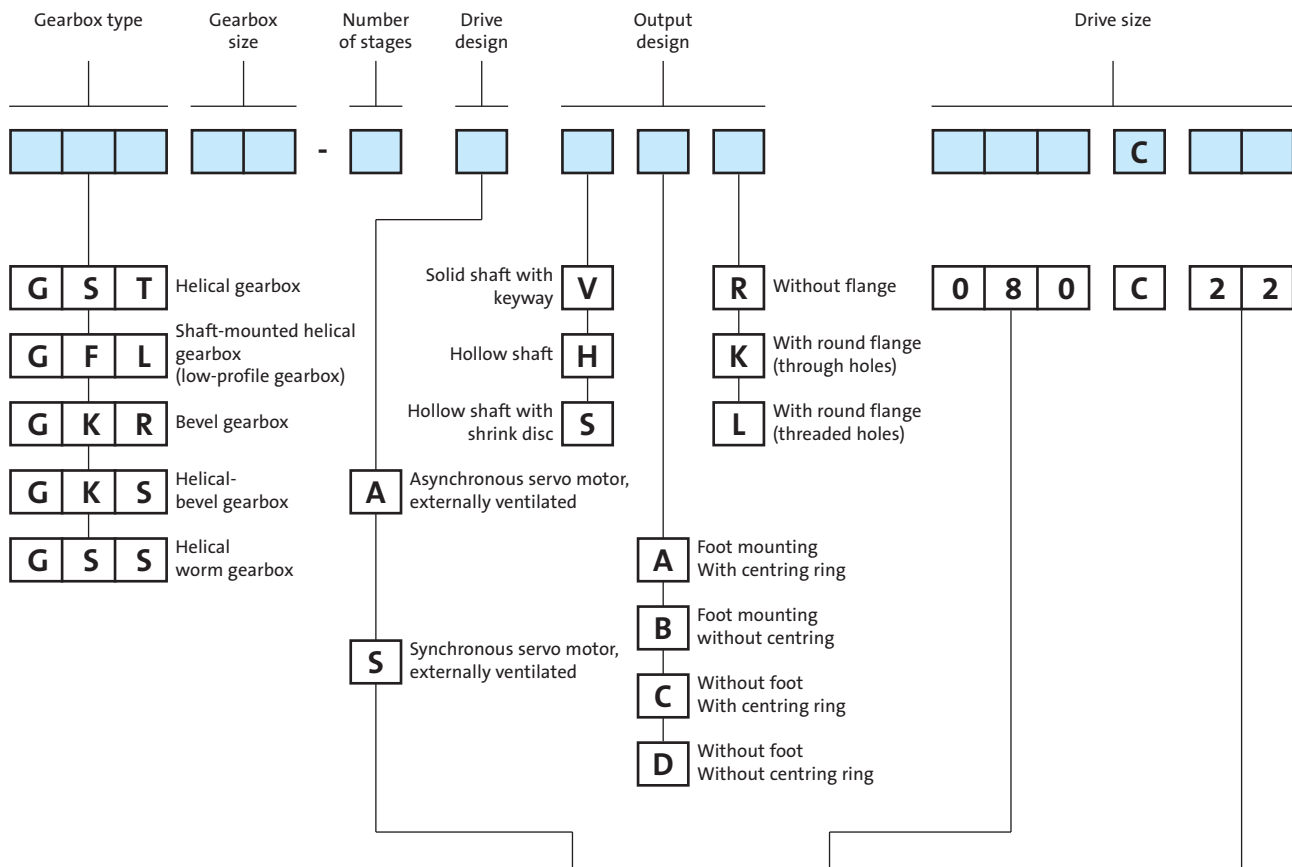
True to our slogan (one stop shopping) we offer you a complete program of electronic and mechanical drive systems which is distinguished by reliability and efficiency.

The scope of our program includes frequency inverters, servo controllers, variable-speed drives, speed reduction gearboxes, motors, brakes, clutches, decentralised I/O and operator and display units.

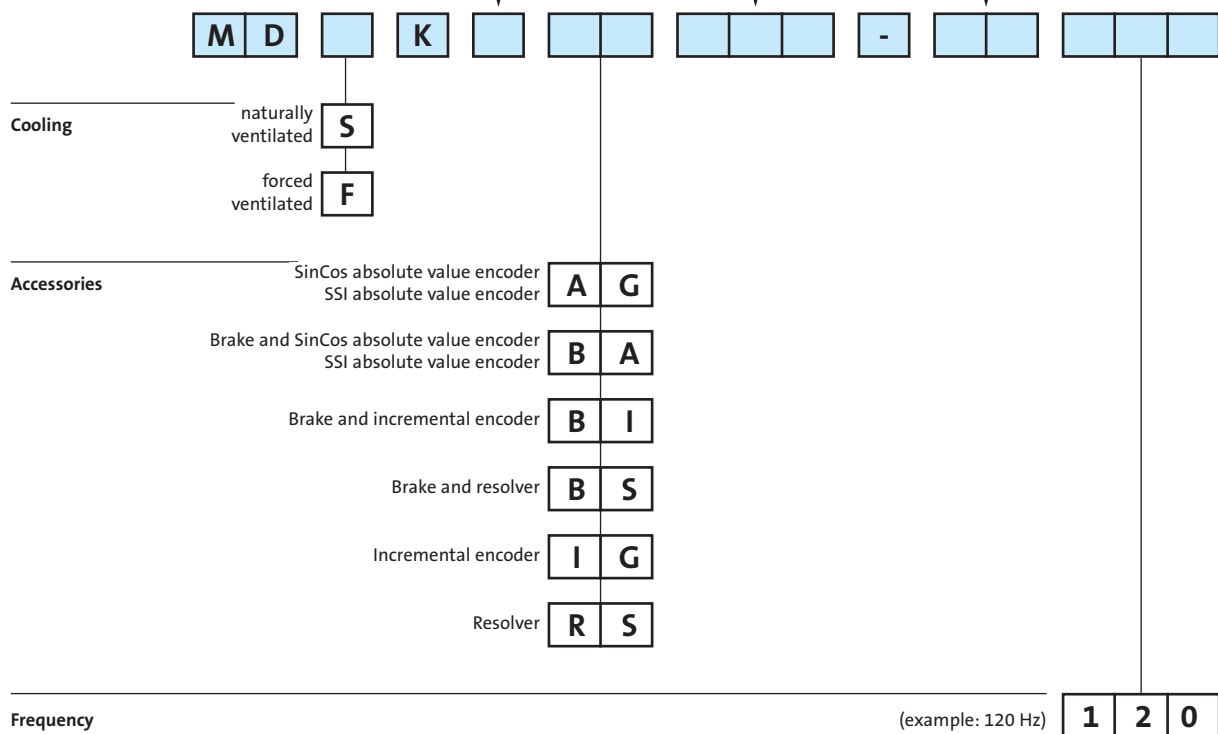


Many well-known companies use Lenze products in various applications

Product key | MD geared servo motors



Extended servo motor key



Frequency

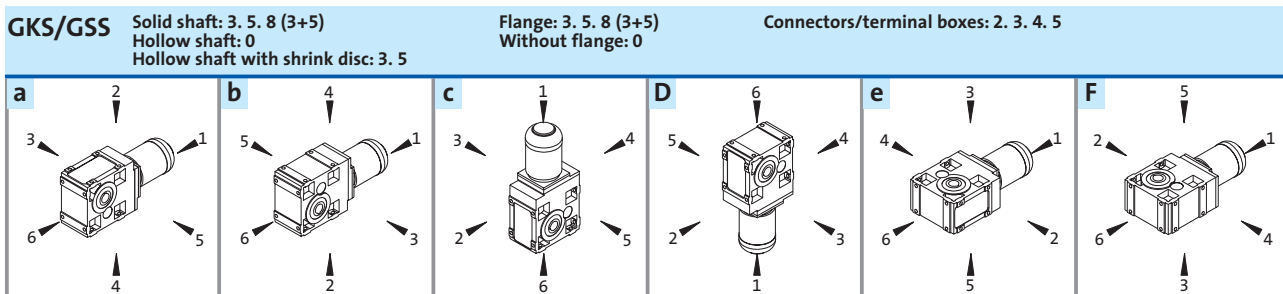
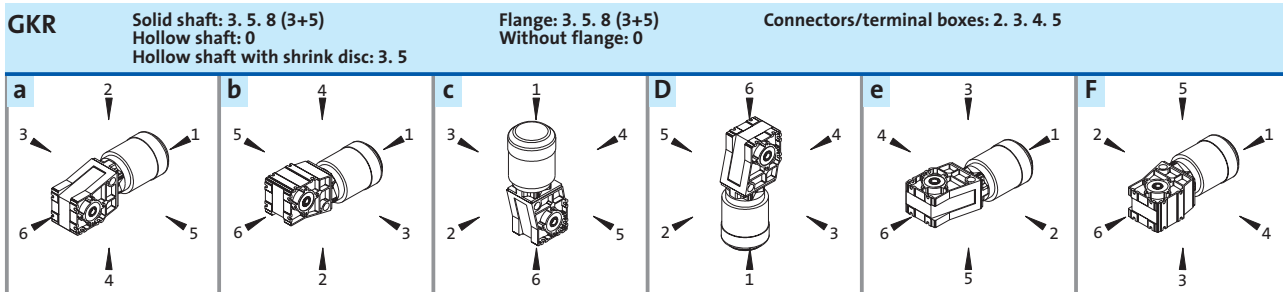
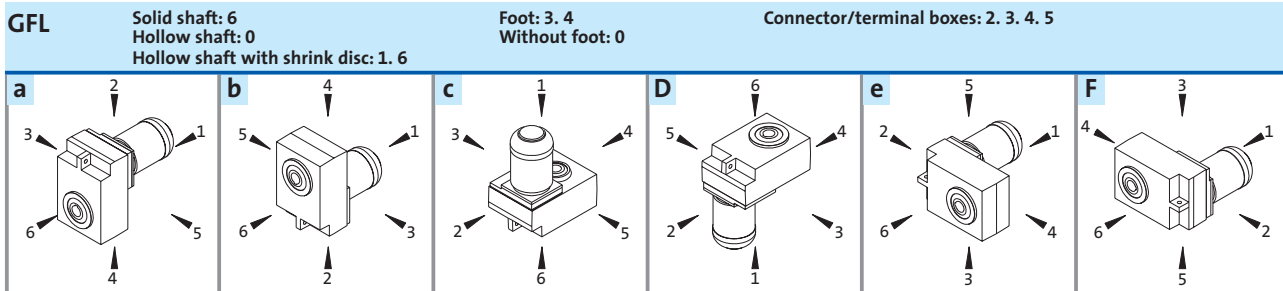
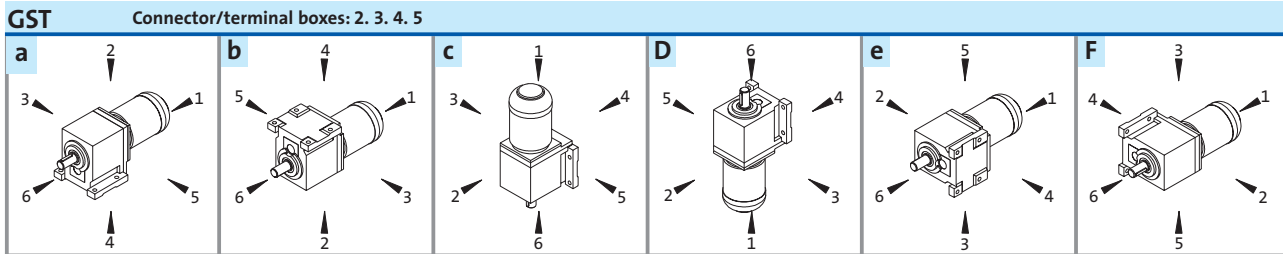
(example: 120 Hz)

1 2 0

For notes on ordering, sample order and fax orders see Chapter 1.

System blocks | Mounting position and position

Mounting position (A-F) a position of system blocks (1-6)



Lenze | An introduction

Lenze is the competent partner for your application. Lenze is not only a supplier for single components but also offers solutions for complete drive systems including planning, execution and commissioning.

Furthermore, a worldwide service and distribution network lets you engage a qualified customer advisory service and an after sales service that is fast and extensive.

Our quality assurance system for design, production, sales and service is certified according to DIN ISO 9001 : 2000. Our environmental management system is also certified to DIN EN ISO 14001.

Our customers set the standards for measuring the quality of our products. Our task is to meet your requirements, since customer orientation is a Lenze principle demanding the best quality.

See for yourself.



A worldwide service –
Our team of experts provides reliable and
professional assistance.

A true system | Drive and automation technology

Products which are setting the pace in terms of technology and complete drive solutions for machine and system production - just what Lenze is all about. We provide our customers with frequency and servo inverters with powers up to 400 kW. We support both central control cabinet solutions and decentralised drive concepts, e.g. with motor inverters with IP65 type of protection.

Both standard three-phase AC motors and synchronous and asynchronous servo motors are available to complement the various controllers, all of which can be combined with various types of gearboxes. Human Machine Interfaces, decentralised I/O systems and modules for fieldbus interfacing are also available for exchanging information.

Lenze boasts extensive application know-how in all manner of industries. This knowledge has been applied in the design of the controller and PC software, providing an efficient means of implementing numerous standard applications using simple parameter settings.

An all-round service comprising component selection advice, training, commissioning support and even a helpline which can be accessed all over the world and independent system engineering completes the offer.



9300 servo inverter



ECS servo system for multi-axis application



Communication modules



9300 vector frequency inverter



8200 vector frequency inverter



8200 motec motor inverter



starttec motor starter



PC software



Software packages



Servo motors



Small drives



Brakes and clutches



Geared motors

The range

The G-motion range - a tried-and-tested and versatile range of geared motors covering all standard gearbox designs

The G-motion range of geared motors already comes with broad functionality as standard and is available with many useful options at the input and output ends, giving the user great versatility.

Gearbox types

The gearboxes are available as

- ▶ Helical gearboxes
- ▶ Shaft-mounted helical gearboxes
- ▶ Helical-bevel gearboxes
- ▶ Helical-worm gearboxes
- ▶ Servo planetary gearboxes

Speeds

The large range of gearbox ratios with close spacing makes it possible to closely match the actual drive features to the required process parameters.

Integrated three-phase AC motors

- ▶ 4-pole 0.06 to 45 kW
- ▶ 2-pole 0.18 to 9 kW
- ▶ 6-pole 0.18 to 0.55 kW
- ▶ Synchronous servo motors 0.25 to 10 kW
- ▶ Asynchronous servo motors 0.8 to 20.3 kW

G-motion const/G-motion atex Geared motors and gearboxes with constant output speeds

- ▶ Power range 0.06 to 45 kW
- ▶ Torque range ≤ 12000 Nm



G-motion motec Geared motors with integrated 8200 motec frequency inverter

- ▶ Power range 0.12 to 7.5 kW
- ▶ Torque range ≤ 12000 Nm



G-motion servo MC/MD
Dynamic geared motors

- ▶ Power range 0.25 to 20.3 kW
- ▶ Torque range ≤ 12000 Nm



G-motion m-var
Geared motors with mechanical speed control

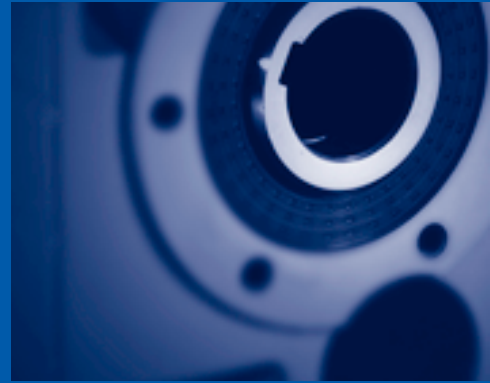
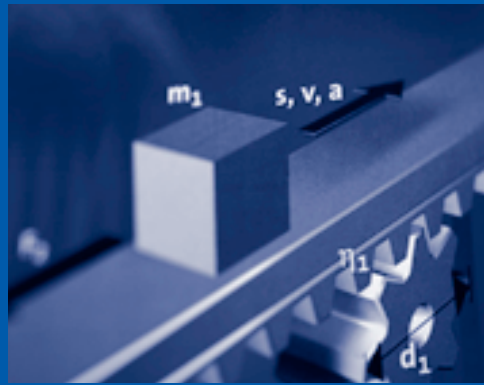
- ▶ Power range 0.25 to 45 kW
- ▶ Torque range ≤ 12000 Nm



G-motion MOC
Monorail overhead conveyor geared motors for light and heavy loads

- ▶ Power range 0.12 to 5.5 kW
- ▶ Torque range ≤ 900 Nm





Contents | G-motion servo MD

Product key, mounting positions _____ Front inside cover

General _____ 1-1

1

Drive dimensioning _____ 2-1

2

Helical gearboxes _____ 3-1

3

Shaft-mounted helical gearboxes (low-profile gearboxes) 4-1

4

Bevel gearboxes _____ 5-1

5

Helical-bevel gearboxes _____ 6-1

6

Helical-worm gearboxes _____ 7-1

7

Integrated servo motors _____ 8-1

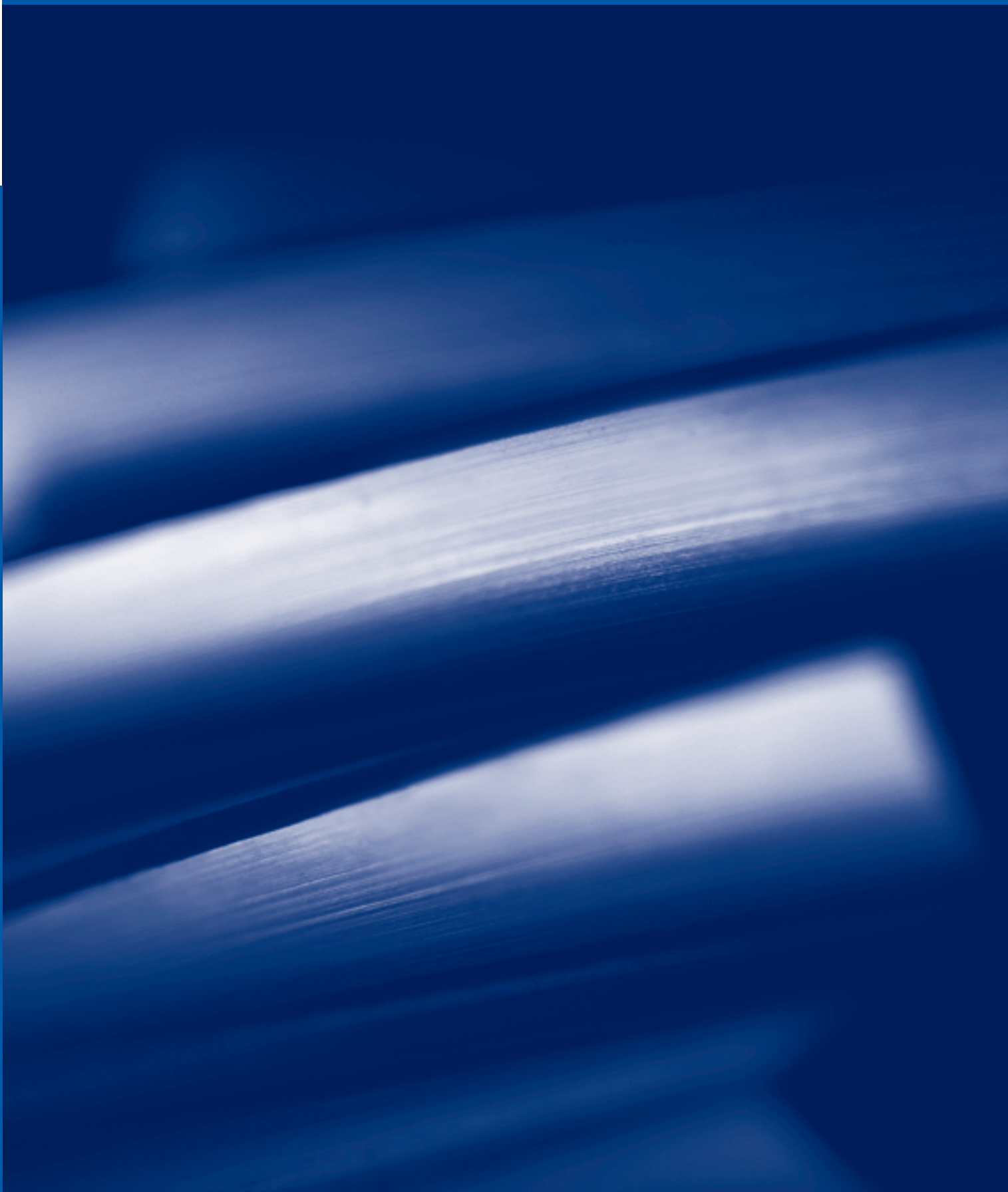
8

Servo inverter _____ 9-1

9

Lenze worldwide _____ 10-1

10

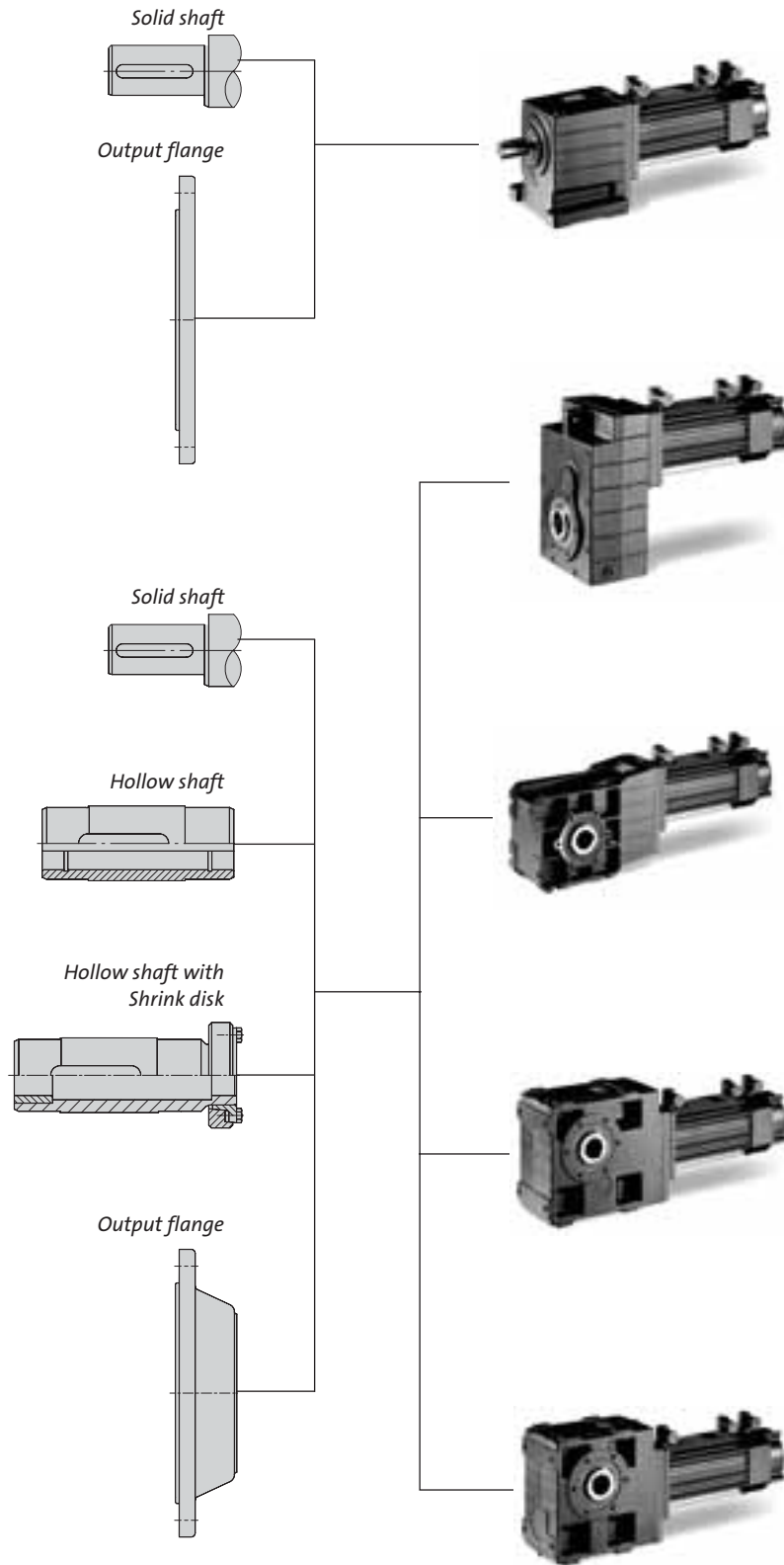


General information | G-motion servo MD

| | |
|------------------------------|------|
| The range | 1-2 |
| Product information | 1-4 |
| List of abbreviations | 1-6 |
| Definitions | 1-8 |
| Notes on ordering | 1-9 |
| Example order | 1-10 |
| Fax order form | 1-12 |

Geared servo motors with high functionality thanks to numerous variation and motor options on the gearbox-side.

1



Helical geared motors

GST

0.8 ... 20.3 kW

Parallel-axial solid shaft geared motors with foot and flange mounting. As on all other models, the optimised tooth geometry ensures that the gearboxes run particularly smoothly.

Shaft-mounted helical geared motor

GFL

0.8 ... 20.3 kW

Recommended for use as shaft-mounted geared motor with hollow shaft. Play-free connections and high teeth quality minimise backlash.

Bevel geared motors

GKR

0.8 to 6.9 kW

Right-angle geared motors in a low to medium torque range with wear resistant bevel teeth. The relatively high efficiency means that energy can be saved in this power range, too.

Helical-bevel geared motor

GKS

0.8 ... 20.3 kW

Solid shaft or hollow shaft right-angle geared motors with relatively high efficiency. Pinpoint output speeds are possible due to the ratio range, which has been carefully stepped.

Helical worm geared motors

GSS

0.8 to 13.2 kW

Cost-effective right-angle geared motors with high power density. They can be integrated into the machine structure easily using the pitch circle at the output end and mounting surfaces on three gearbox faces.

Built-on accessories for motors

- ▶ Resolver
- ▶ Absolute value encoder
- ▶ Incremental encoder
- ▶ Brake
- ▶ Circular connector
- ▶ Terminal box

The servo drives are characterised by very high dynamics combined with excellent process repeat accuracy. The interplay of the geared servo motor with the 9300 servo inverter results in a perfectly harmonised drive unit.

This combined unit can provide a cost-effective solution for low backlash even in complex drive tasks. The mechanical connections between the motor and gearbox create a fixed unit. Feedback systems such as resolvers or SinCos encoders ensure accuracy.

Unlike standard three-phase AC motors, the servo motors are characterised by their low moment of inertia, light weight, high maximum speeds and wide speed setting range.

In accordance with requirements in respect of dynamics or control range, synchronous servo motors rated from 1.1 to 5.9 kW or asynchronous motors rated from 0.8 to 20.3 kW are used. These motors can be self-ventilated or forced ventilated.

In such applications, process tasks are managed by the intelligent drive. Thanks to its integrated technology and control functionalities, the 9300 servo inverter is able to handle complete process or part processes.

Dynamic and accurate

The servo motors are characterised by a low moment of inertia and a high overload capacity. Continuous temperature measurement with a built-in temperature sensor ensures temperature-independent optimum control characteristics. They can be combined with 9300 servo inverters to achieve high speed accuracy, excellent smooth running characteristics and high rates of angular acceleration.

Long service life

The high level of quality which Lenze requires of the components used ensures that the requirements of modern drive technology in respect of operational reliability and service life can be met.

The key to the long service life of the winding is a higher-torque insulation system with thermal reserve (enamel-insulated wire to temperature class H, utilisation to F). Prestressed roller bearings with high-heat-resistant grease ensure the long service life of the motors.

Operational reliability

The IP54/IP65 motor enclosure (naturally ventilated only) provides reliable protection against dust and water.

CE conformity

MDXK servo motors naturally meet the requirements of the following EU guidelines:

- ▶ CE conformity with the low voltage directive
- ▶ CE conformity with EMC directive for a typical drive configuration with inverter.

The use of integrated system cables makes it easy to maintain electromagnetic compatibility.

No compromises where output speed is concerned

The wide ratio range of the gearboxes combined with the small ratio step of 1.12 enables the required output speed range to be selected with precision.

Compact

The high power density of the geared motors minimises the dimensions of the drive units.

The use of geared servo motors with direct mounting of the motors makes for particularly compact drives.

Adaptable

The modular structure of the motors and the concept-based variants will help you to choose the right solution for any application.

The numerous output designs of the geared motors mean that the drives can be adapted to almost any drive task:

- ▶ Geared servo motors with solid shaft, hollow shaft or hollow shaft with shrink disc
- ▶ Geared servo motors with or without flange, foot or centring
- ▶ Various built-in phase-angle sensors enable the drives to be adapted to the required accuracy: Resolver as standard solution with optimised performance due to internally improved resolver accuracy, SinCos absolute value encoder for maximum accuracy



Quiet

High inverter switching frequencies (up to 16 kHz) reduce noise generation.

The optimised geometry of the gear teeth on Lenze gearboxes reduces noise generation; internally ribbed cast housings provide additional sound insulation.

Reduced backlash

The two-stage basic concept (helical-bevel gearbox has three stages), low backlash connection elements and the high quality of the teeth due to precision manufacturing reduce backlash compared to that on comparable geared motors.

The use of zero backlash permanent electromagnetic holding brakes enables defined holding of a position even if the drive has been disconnected from the power supply.

Special models

Non-standard applications sometimes require non-standard designs.

The following are examples of possible configurations:

- ▶ Incremental encoder as feedback
- ▶ Second feedback.

Please contact us should you require more information.

Abbreviations used in this catalogue:

| | | | | | |
|--|---------------------|--|--|-------|--|
| α | | Angle of radial force | k | | Application factor (according to DIN 3990) |
| φ | | Ratio step | k_l | | Intensity of gearbox load capacity |
| η | [%] | Mechanical efficiency | k_J | | Load-matching factor |
| η_A | [%] | Mechanical start-up efficiency | k_{load} | | Overload factor |
| | | Gearboxes | k_{n1} | | Speed reduction factor |
| $\eta_{c=1}$ | [%] | Mechanical efficiency of gearbox with gearbox load c=1 | | | Ambient temperature, installation height |
| η_G | [%] | Mechanical efficiency of gearbox | k_{n2} | | Speed correction factor mounting position |
| ϑ | [°C] | Temperature | k_{n3} | | Speed correction factor operating time/average speed |
| AC | | Alternating current/voltage | k_m | | Speed correction factor average speed |
| c | | Load capacity of geared servo motors | l_{cable} | [m] | Length of system cable |
| cos φ_N | | Power factor of asynchronous motors | m | [kg] | Mass |
| DC | | Direct current/voltage | M_B | [Nm] | Brake holding torque |
| OT | | Operating time | M_{eff} | [Nm] | Effective torque at output |
| | | | M_{load} | [Nm] | Load torque |
| f_{α} | | Effective direction factor at output shaft | M_{load max} | [Nm] | Maximum load torque |
| f_{chopp} | [kHz] | Switching frequency | M_{load time} | [Nm] | Stationary load torque per time segment |
| f_r | [Hz] | Rated frequency | M_{max} | [Nm] | Maximum motor torque |
| f_w | | Load application factor at output shaft | M_r | [Nm] | Rated torque |
| f_z | | Additional radial force factor for transmission element | M_{Sz} | [Nm] | Acceleration torque |
| F_a | [N] | Acting axial force | M_{S eff} | [Nm] | Effective torque |
| F_{a Tab} | [N] | Table value for axial force | M_{time} | [Nm] | Torque per time segment |
| F_{a perm} | [N] | Permissible axial force | M_{P max} | [Nm] | Maximum torque of profile |
| F_r | [N] | Acting radial force | M₀ | [Nm] | Continuous standstill torque |
| F_{r Tab} | [N] | Table value for radial force | M₂ | [Nm] | Output torque |
| F_{r perm} | [N] | Permissible radial force | M_{2 max} | [Nm] | Maximum output torque |
| h | [m] | Site altitude | M_{2 Gr} | [Nm] | Rated gearbox torque c=1 on output |
| i | | Ratio | n_{load} | [rpm] | Load speed |
| I_B | [A] | Rated brake current | n_{load time} | [rpm] | Load speed per time segment |
| I_{max} | [A] | Maximum current | $\Delta n_{load time}$ | [rpm] | Load speed differential per time segment |
| I_r | [A] | Rated current | n_{max} | [rpm] | Maximum speed |
| I_{C r} | [A] | Continuous current for drive controller | n_r | [rpm] | Rated speed |
| I_{C max} | [A] | Maximum current for drive controller | n_{avg} | [rpm] | Average speed |
| I₀ | [A] | Continuous standstill current | n₁ | [rpm] | Drive speed |
| J_B | [kgm ²] | Moment of inertia of brake | n_{1 max} | [rpm] | Maximum drive speed |
| J_{GM} | [kgm ²] | Moment of inertia of geared motor reduced on motor shaft | n₂ | [rpm] | Output speed |
| J_{load} | [kgm ²] | Moment of inertia of load on output shaft | n_{2 trans} | [rpm] | Output speed at motor rated speed |
| J_{motor} | [kgm ²] | Moment of inertia of motor | n_{2 therm} | [rpm] | Thermal limit speed at output |

| | | | | |
|---------------------------|-------|---|-------------|---|
| P_r | [kW] | Rated power | IM | International Mounting Code |
| P_v | [kW] | Inverter power loss | IP | International Protection Code |
| P₁ | [kW] | Driving power | CE | Communauté Européene |
| Q_ε | [kJ] | Max. switching energy per switching operation | CSA | Canadian Standards Association |
| S_{hü} | [1/h] | Transference operating frequency | DIN | Deutsches Institut für Normung |
| S_N | [kW] | Output power of inverter | EMC | Electromagnetic compatibility |
| T | [s] | Load cycle time | EN | European standard |
| t_{run} | % | Runtime at maximum torque | IEC | International Electrotechnical Commission |
| T_{amb} | [°C] | Ambient operating temperature | NEMA | National Electrical Manufacturers Association |
| Δ t_{time} | [s] | Individual time segments | UL | Underwriters Laboratory |
| t₁ | [ms] | Engagement time | UR | Underwriters Laboratory recognized component |
| t₂ | [ms] | Disengagement time | VDE | Verband deutscher Elektrotechniker |
| U_B | [V] | Rated brake voltage | | |
| U_r | [V] | Rated voltage | | |
| U_M | [V] | Rated motor voltage | | |

General information about the data provided in this catalogue

Ratings, torques and speeds

The outputs, torques and speeds specified in the catalogue are rounded values and apply for

- ▶ daily running time of 8 h, 240 days a year
- ▶ ambient temperature up to 30°C
- ▶ operating time 70% of day
- ▶ average speed 80% of design speed
- ▶ site altitude up to 1000 m amsl
- ▶ Mounting positions and construction types listed in the catalogue (selection table relates to mounting position A)
- ▶ Standard lubricant

Under different operating conditions the values obtained may vary from those listed here.

In the case of extreme operating conditions, please consult your Lenze representative.

Load capacity c of gearbox

Characteristic value for the load capacity of Lenze gearboxes and Lenze geared motors.

- ▶ c is the ratio of the permissible rated torque of the gearbox to the rated torque delivered by the drive component (e.g. the integrated Lenze motor).
- ▶ c must always be greater than the application factor k determined for the application.

Application factor k (corresponding to DIN 3990)

Takes account of the effect of any loads that are actually present and are likely to vary over time during the anticipated runtime of geared motors.

k depends on

- ▶ the type of load
- ▶ the intensity of the load
- ▶ temporal factors

We aim to process your order quickly and accurately, so we need you to give us full ordering details. The following checklist and ordering procedure should help.

Checklist

In order to receive the correct products in good time, please provide the following information:

- ▶ Your address and ordering data
- ▶ Our product key for the individual products in this catalogue.
- ▶ Your delivery data, i.e. delivery date and delivery address

How to order

Please use this step-by-step guide and the fax form to ensure that you provide all the necessary information in the correct format. It makes ordering your tailor-made drive extremely easy:

- ▶ Copy the fax template.
See the following pages.
- ▶ Enter the order data.
- ▶ Post or fax the form to your Lenze sales office.
A list of Lenze sales offices can be found at the end of this catalogue.

A step-by-step guide to ordering your drive

- Cross-reference
- Result

1. Dimension the drive system

- Drive dimensioning, dimensioning (Chapter 2)

2. Specify the type designation and ratio

- Product key (fold-out page),
selection table (Chapters 3 to 7)
- Gearbox type, gearbox size, number of stages
Example: GST 07-2
- Drive design, motor frame size, motor cooling,
ratio
Example: A, 080C22. S, i = 20.044

3. Specify the output design

- Product key (fold-out page),
Drive dimensioning, gearbox designs (Chapter 2)
- Solid shaft with keyway, without foot, with centring
ring, with 200 mm round flange (V, C, K)

4. Specify the mounting position and the position of system elements

- Product key (fold-out page)
Example: Mounting position A
Plug-in position 2

5. Specify the colour

- Drive dimensioning, gearbox designs (Chapter 2)
Example: RAL 9005 paint (black)

6. Specify the gearbox options

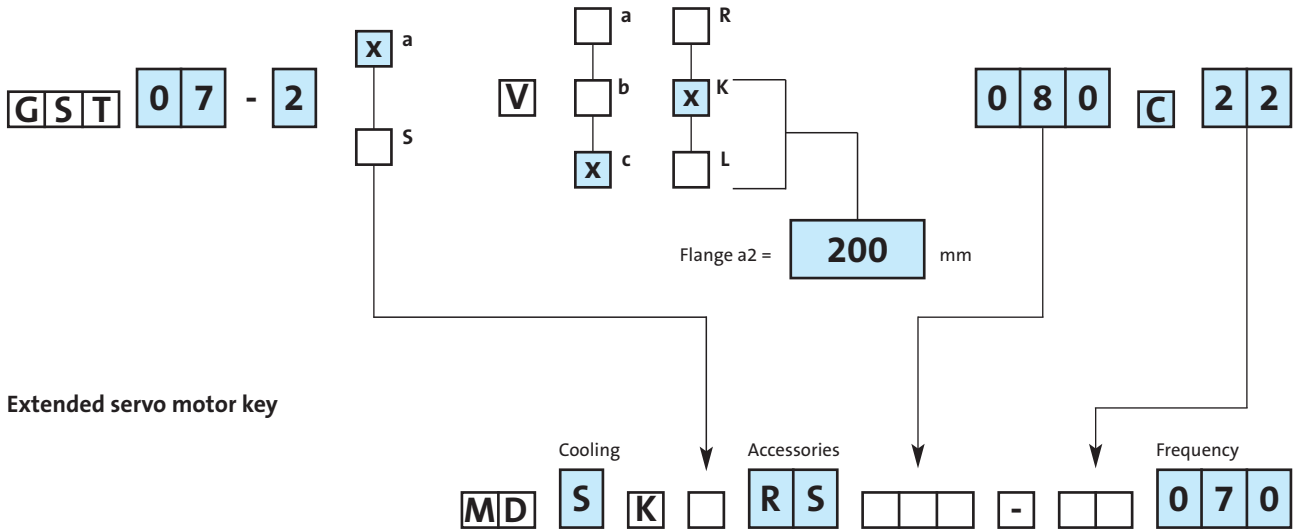
- Drive dimensioning, gearbox designs (Chapter 2)

7. Specify motor options

- Servo motors (Chapter 8)
Example: Resolver (RS)
Enclosure (IP54)
Connector

Order no.

i = **20.044**



Other ordering information

Mounting position

A B C D E F

Position of system elements

Connector/terminal box
2 3 4 5

Colour

Paint RAL 9005 (black)
 Grey primer

Gearbox options

Motor options

Degree of protection

IP54 IP65 (naturally ventilated only)

Power connection

Connector Terminal box

Encoder connection

Connector Terminal box (only in conjunction with power connection on terminal box)



To the Lenze sales office

Page __ of __

Order

Quotation

1

Fax no. _____

From

Customer no.

Company

| | | | | | | | | | |
|--|--|--|--|--|--|--|--|--|--|
| | | | | | | | | | |
|--|--|--|--|--|--|--|--|--|--|

Street/PO Box

Order no.

Postcode City

Name

Department

Date Signature

Tel. no.

Delivery address (if different from above)

Street

Town/Postcode

Invoice address (if different from above)

Street/P.O. Box

Postcode City

Requested delivery date _____

Despatch information _____



Customer no.

| | | | | | | | | | |
|--|--|--|--|--|--|--|--|--|--|
| | | | | | | | | | |
|--|--|--|--|--|--|--|--|--|--|

Page ___

| | |
|--|----------|
| | Quantity |
|--|----------|

Order no.

i =

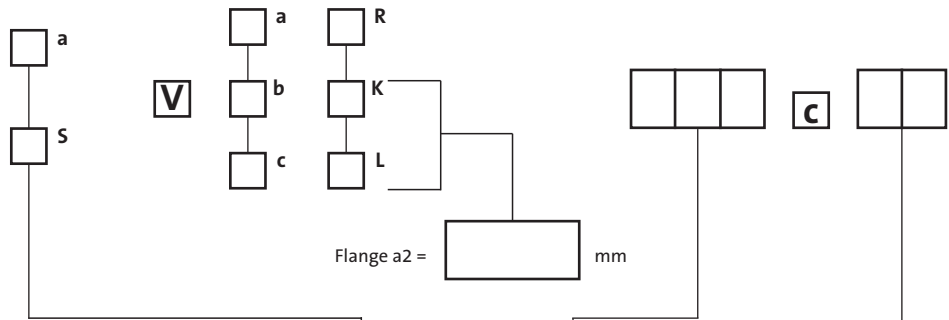
| |
|--|
| |
|--|

G S T

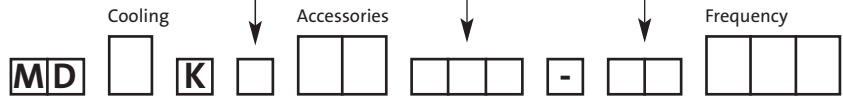
| | |
|--|--|
| | |
|--|--|

 -

| |
|--|
| |
|--|



Extended servo motor key



Other ordering information

Mounting position

| | | | | | |
|----------------------------|----------------------------|----------------------------|----------------------------|----------------------------|----------------------------|
| <input type="checkbox"/> A | <input type="checkbox"/> B | <input type="checkbox"/> C | <input type="checkbox"/> D | <input type="checkbox"/> E | <input type="checkbox"/> F |
|----------------------------|----------------------------|----------------------------|----------------------------|----------------------------|----------------------------|

Position of system elements

Connector/terminal box

| | | | |
|----------------------------|----------------------------|----------------------------|----------------------------|
| <input type="checkbox"/> 2 | <input type="checkbox"/> 3 | <input type="checkbox"/> 4 | <input type="checkbox"/> 5 |
|----------------------------|----------------------------|----------------------------|----------------------------|

Colour

| | |
|--------------------------|------------------------|
| <input type="checkbox"/> | Paint RAL 9005 (black) |
| <input type="checkbox"/> | Grey primer |

Gearbox options

Special lubricant

| | |
|--------------------------|------------|
| <input type="checkbox"/> | CLP-HC 220 |
|--------------------------|------------|

Special paint finish

RAL

| |
|--|
| |
|--|

Output shaft bearing

| | |
|--------------------------|---------------------|
| <input type="checkbox"/> | Reinforced bearings |
|--------------------------|---------------------|

Shaft sealing rings

| | |
|--------------------------|-------|
| <input type="checkbox"/> | Viton |
|--------------------------|-------|

Oil control

| | |
|--------------------------|-----------------|
| <input type="checkbox"/> | Oil-sight glass |
|--------------------------|-----------------|

Ventilation

| | | | |
|--------------------------|------------------------------------|--------------------------|------------------------------|
| <input type="checkbox"/> | Breather elements for size 05...07 | <input type="checkbox"/> | reservoir C for size 09...14 |
|--------------------------|------------------------------------|--------------------------|------------------------------|

Servo motor options

Approval

| | |
|--------------------------|------------------------------------|
| <input type="checkbox"/> | UR approval (not with brake 205 V) |
|--------------------------|------------------------------------|

Brake

| | | | |
|--------------------------|---------|--------------------------|----------|
| <input type="checkbox"/> | 24 V DC | <input type="checkbox"/> | 205 V DC |
|--------------------------|---------|--------------------------|----------|

SinCos encoder

| | | | |
|--------------------------|------------|--------------------------|-------------|
| <input type="checkbox"/> | multi-turn | <input type="checkbox"/> | single-turn |
|--------------------------|------------|--------------------------|-------------|

Incremental encoders

| | | | |
|--------------------------|--------|--------------------------|--------|
| <input type="checkbox"/> | ITD 21 | <input type="checkbox"/> | ITD 22 |
|--------------------------|--------|--------------------------|--------|

Degree of protection

| | | | |
|--------------------------|------|--------------------------|----------------------------------|
| <input type="checkbox"/> | IP54 | <input type="checkbox"/> | IP65 (naturally ventilated only) |
|--------------------------|------|--------------------------|----------------------------------|

Power connection

| | | | |
|--------------------------|-----------|--------------------------|--------------|
| <input type="checkbox"/> | Connector | <input type="checkbox"/> | Terminal box |
|--------------------------|-----------|--------------------------|--------------|

Encoder connection

| | | | |
|--------------------------|-----------|--------------------------|--|
| <input type="checkbox"/> | Connector | <input type="checkbox"/> | Terminal box (only in conjunction with power connection on terminal box) |
|--------------------------|-----------|--------------------------|--|

See page 1-16 for ordering data for servo inverters

General

Shaft-mounted helical servo geared motors

Customer no.

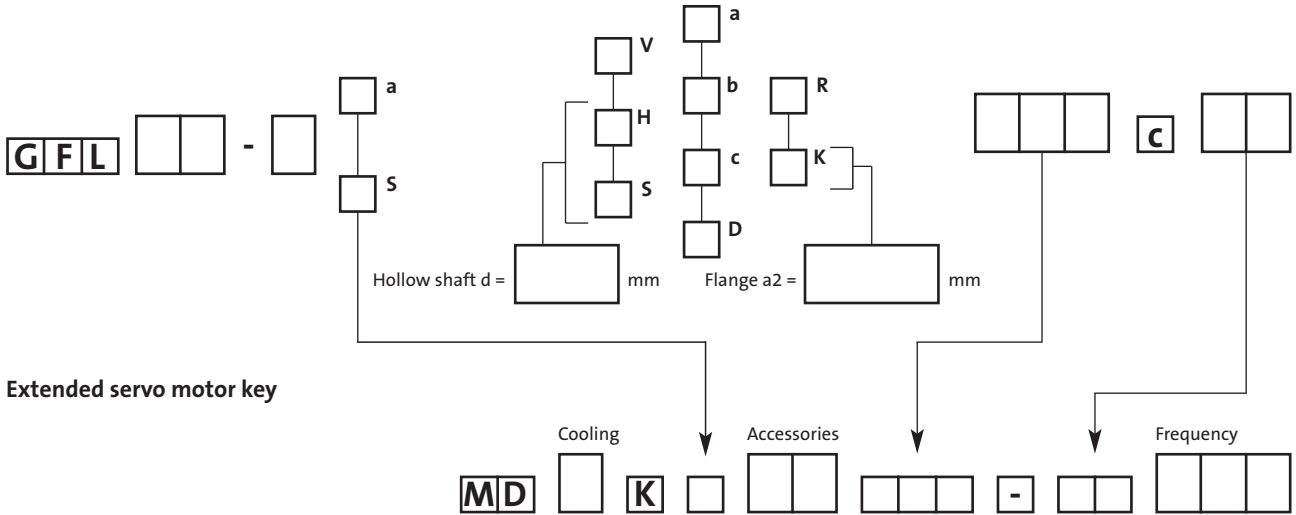
| | | | | | | | | | | | |
|--|--|--|--|--|--|--|--|--|--|--|--|
| | | | | | | | | | | | |
|--|--|--|--|--|--|--|--|--|--|--|--|

Page ___

Order no.

i =

| |
|--|
| |
|--|



Other ordering information

Mounting position

| | | | | | |
|----------------------------|----------------------------|----------------------------|----------------------------|----------------------------|----------------------------|
| <input type="checkbox"/> A | <input type="checkbox"/> B | <input type="checkbox"/> C | <input type="checkbox"/> D | <input type="checkbox"/> E | <input type="checkbox"/> F |
|----------------------------|----------------------------|----------------------------|----------------------------|----------------------------|----------------------------|

Position of system elements
(mark unspecified positions with 0)

| | |
|--|--|
| Shaft | Foot |
| <input type="checkbox"/> 0 <input type="checkbox"/> 6 <input type="checkbox"/> 1 | <input type="checkbox"/> 0 <input type="checkbox"/> 3 <input type="checkbox"/> 4 |

| |
|---|
| Connector/Terminal box |
| <input type="checkbox"/> 2 <input type="checkbox"/> 3 <input type="checkbox"/> 4 <input type="checkbox"/> 5 |

Colour

| | |
|---|--------------------------------------|
| <input type="checkbox"/> Paint RAL 9005 (black) | <input type="checkbox"/> Grey primer |
|---|--------------------------------------|

Gearbox options

Special lubricant

CLP-HC 220

Special paint finish

RAL

Shaft sealing rings

Viton

Accessories

Rubber buffer set for torque plate

Shrink disc cover

Hollow shaft circlip mounting set

Oil control

Oil-sight glass

Ventilation

Breather elements for size 05...07

reservoir mounting position C for size 09...14

Servo motor options

Approval

UR approval (not with brake 205 V)

Brake

24 V DC

205 V DC

SinCos encoder

multi-turn

single-turn

Incremental encoders

ITD 21

ITD 22

Degree of protection

IP54

IP65 (naturally ventilated only)

Power connection

Connector

Terminal box

Encoder connection

Connector

Terminal box (only in conjunction with power connection on terminal box)

See page 1-16 for ordering data for servo inverters



Customer no.

| | | | | | | | | | |
|--|--|--|--|--|--|--|--|--|--|
| | | | | | | | | | |
|--|--|--|--|--|--|--|--|--|--|

Page ___

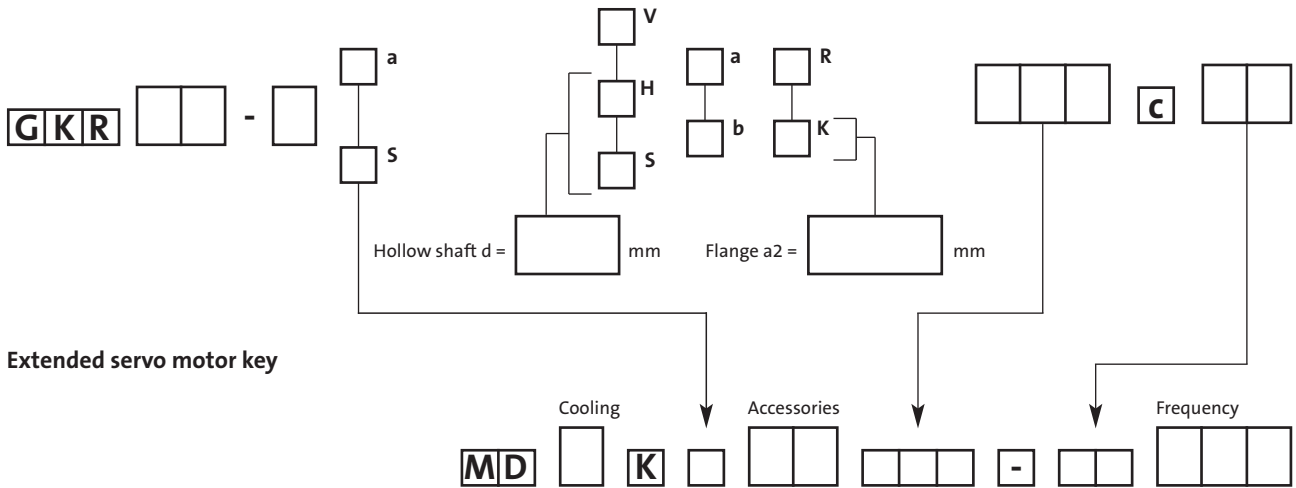
Quantity

| | | | | | | | |
|--|--|--|--|--|--|--|--|
| | | | | | | | |
|--|--|--|--|--|--|--|--|

Order no.

i =

| | | | | | | | |
|--|--|--|--|--|--|--|--|
| | | | | | | | |
|--|--|--|--|--|--|--|--|



Other ordering information

Mounting position

| | | | | | |
|--------------------------|--------------------------|--------------------------|--------------------------|--------------------------|--------------------------|
| A | B | C | D | E | F |
| <input type="checkbox"/> | <input type="checkbox"/> | <input type="checkbox"/> | <input type="checkbox"/> | <input type="checkbox"/> | <input type="checkbox"/> |

Position of system elements
(mark unspecified positions with 0)

| | | |
|--------------------------|--------------------------|--------------------------|
| Shaft | Flange | Connector/Terminal box |
| 0 3 5 8 | 0 3 5 8 | 2 3 4 5 |
| <input type="checkbox"/> | <input type="checkbox"/> | <input type="checkbox"/> |
| <input type="checkbox"/> | <input type="checkbox"/> | <input type="checkbox"/> |
| <input type="checkbox"/> | <input type="checkbox"/> | <input type="checkbox"/> |
| <input type="checkbox"/> | <input type="checkbox"/> | <input type="checkbox"/> |

Colour

| | | | |
|--------------------------|------------------------|--------------------------|-------------|
| <input type="checkbox"/> | Paint RAL 9005 (black) | <input type="checkbox"/> | Grey primer |
|--------------------------|------------------------|--------------------------|-------------|

Gearbox options

Special lubricant

CLP-HC 220

Special paint finish

RAL

| |
|--|
| |
|--|

Shaft sealing rings

Viton

Accessories

| | | | |
|--------------------------|--|--------------------------|---------------------------------------|
| <input type="checkbox"/> | Rubber buffer set for torque plate (GKR 04 only) | <input type="checkbox"/> | Torque plate pitch circle |
| <input type="checkbox"/> | Torque plate housing foot (GKR 05/06 only) | <input type="checkbox"/> | Mounting set for hollow shaft circlip |
| <input type="checkbox"/> | 2nd output shaft end | <input type="checkbox"/> | Hoseproof hollow shaft cover |
| <input type="checkbox"/> | Shrink disc cover | | |

Servo motor options

Approval

UR approval (not with brake 205 V)

Brake

| | | | |
|--------------------------|---------|--------------------------|----------|
| <input type="checkbox"/> | 24 V DC | <input type="checkbox"/> | 205 V DC |
|--------------------------|---------|--------------------------|----------|

SinCos encoder

| | | | |
|--------------------------|------------|--------------------------|-------------|
| <input type="checkbox"/> | multi-turn | <input type="checkbox"/> | single-turn |
|--------------------------|------------|--------------------------|-------------|

Incremental encoders

| | | | |
|--------------------------|--------|--------------------------|--------|
| <input type="checkbox"/> | ITD 21 | <input type="checkbox"/> | ITD 22 |
|--------------------------|--------|--------------------------|--------|

Degree of protection

| | | | |
|--------------------------|------|--------------------------|----------------------------------|
| <input type="checkbox"/> | IP54 | <input type="checkbox"/> | IP65 (naturally ventilated only) |
|--------------------------|------|--------------------------|----------------------------------|

Power connection

| | | | |
|--------------------------|-----------|--------------------------|--------------|
| <input type="checkbox"/> | Connector | <input type="checkbox"/> | Terminal box |
|--------------------------|-----------|--------------------------|--------------|

Encoder connection

| | | | |
|--------------------------|-----------|--------------------------|--|
| <input type="checkbox"/> | Connector | <input type="checkbox"/> | Terminal box (only in conjunction with power connection on terminal box) |
|--------------------------|-----------|--------------------------|--|

See page 1-16 for ordering data for servo inverters

General

Helical-bevel geared servo motors

Customer no.

| | | | | | | | | | |
|--|--|--|--|--|--|--|--|--|--|
| | | | | | | | | | |
|--|--|--|--|--|--|--|--|--|--|

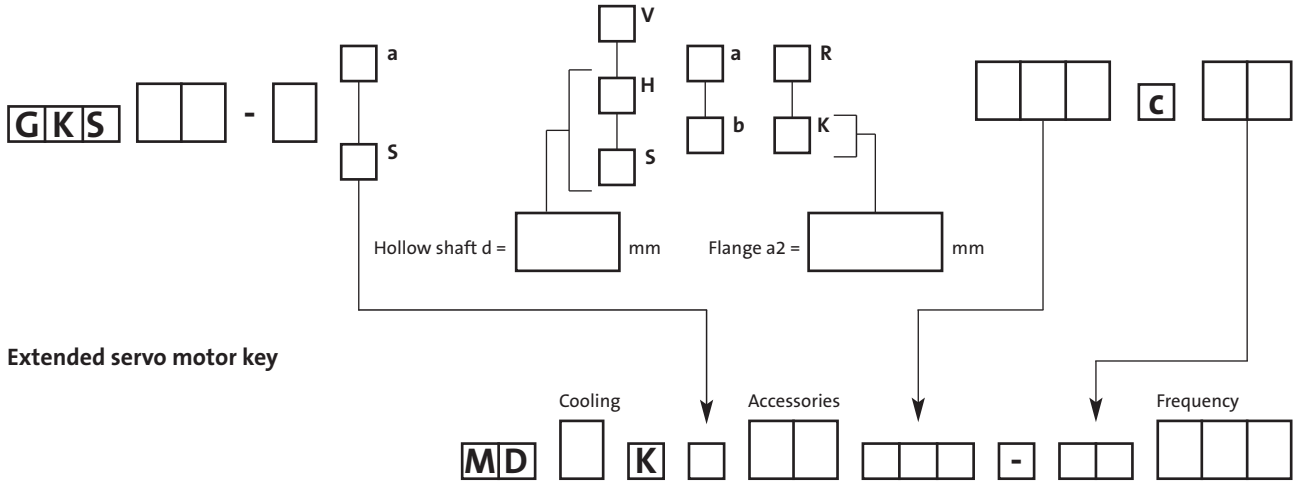
Page ___

| | |
|--|----------|
| | Quantity |
|--|----------|

Order no.

i =

| |
|--|
| |
|--|



Other ordering information

Mounting position

| | | | | | |
|--------------------------|--------------------------|--------------------------|--------------------------|--------------------------|--------------------------|
| A | B | C | D | E | F |
| <input type="checkbox"/> | <input type="checkbox"/> | <input type="checkbox"/> | <input type="checkbox"/> | <input type="checkbox"/> | <input type="checkbox"/> |

Position of system elements
(mark unspecified positions with 0)

| | | |
|--------------------------|--------------------------|--------------------------|
| Shaft | Flange | Connector/Terminal box |
| 0 3 5 8 | 0 3 5 8 | 2 3 4 5 |
| <input type="checkbox"/> | <input type="checkbox"/> | <input type="checkbox"/> |
| <input type="checkbox"/> | <input type="checkbox"/> | <input type="checkbox"/> |
| <input type="checkbox"/> | <input type="checkbox"/> | <input type="checkbox"/> |
| <input type="checkbox"/> | <input type="checkbox"/> | <input type="checkbox"/> |

Colour

| | | | |
|--------------------------|------------------------|--------------------------|-------------|
| <input type="checkbox"/> | Paint RAL 9005 (black) | <input type="checkbox"/> | Grey primer |
|--------------------------|------------------------|--------------------------|-------------|

Gearbox options

Special lubricant

| | |
|--------------------------|------------|
| <input type="checkbox"/> | CLP-HC 220 |
|--------------------------|------------|

Special paint finish

| | |
|-----|----------------------|
| RAL | <input type="text"/> |
|-----|----------------------|

Shaft sealing rings

| | |
|--------------------------|-------|
| <input type="checkbox"/> | Viton |
|--------------------------|-------|

Accessories

| | | | |
|--------------------------|------------------------------|--------------------------|---------------------------------------|
| <input type="checkbox"/> | Torque plate on housing foot | <input type="checkbox"/> | Torque plate pitch circle |
| <input type="checkbox"/> | 2nd output shaft end | <input type="checkbox"/> | Mounting set for hollow shaft circlip |
| <input type="checkbox"/> | Shrink disc cover | <input type="checkbox"/> | Hoseproof hollow shaft cover |

Oil control

| | |
|--------------------------|-----------------|
| <input type="checkbox"/> | Oil-sight glass |
|--------------------------|-----------------|

Ventilation

| | | | |
|--------------------------|------------------------------------|--------------------------|--|
| <input type="checkbox"/> | Breather elements for size 05...07 | <input type="checkbox"/> | reservoir mounting position C for size 09...14 |
|--------------------------|------------------------------------|--------------------------|--|

Servo motor options

Approval

| | |
|--------------------------|------------------------------------|
| <input type="checkbox"/> | UR approval (not with brake 205 V) |
|--------------------------|------------------------------------|

Brake

| | | | |
|--------------------------|---------|--------------------------|----------|
| <input type="checkbox"/> | 24 V DC | <input type="checkbox"/> | 205 V DC |
|--------------------------|---------|--------------------------|----------|

SinCos encoder

| | | | |
|--------------------------|------------|--------------------------|-------------|
| <input type="checkbox"/> | multi-turn | <input type="checkbox"/> | single-turn |
|--------------------------|------------|--------------------------|-------------|

Incremental encoders

| | | | |
|--------------------------|--------|--------------------------|--------|
| <input type="checkbox"/> | ITD 21 | <input type="checkbox"/> | ITD 22 |
|--------------------------|--------|--------------------------|--------|

Degree of protection

| | | | |
|--------------------------|------|--------------------------|----------------------------------|
| <input type="checkbox"/> | IP54 | <input type="checkbox"/> | IP65 (naturally ventilated only) |
|--------------------------|------|--------------------------|----------------------------------|

Power connection

| | | | |
|--------------------------|-----------|--------------------------|--------------|
| <input type="checkbox"/> | Connector | <input type="checkbox"/> | Terminal box |
|--------------------------|-----------|--------------------------|--------------|

Encoder connection

| | | | |
|--------------------------|-----------|--------------------------|--|
| <input type="checkbox"/> | Connector | <input type="checkbox"/> | Terminal box (only in conjunction with power connection on terminal box) |
|--------------------------|-----------|--------------------------|--|

See page 1-16 for ordering data for servo inverters



Customer no.

| | | | | | | | | | |
|--|--|--|--|--|--|--|--|--|--|
| | | | | | | | | | |
|--|--|--|--|--|--|--|--|--|--|

Quantity

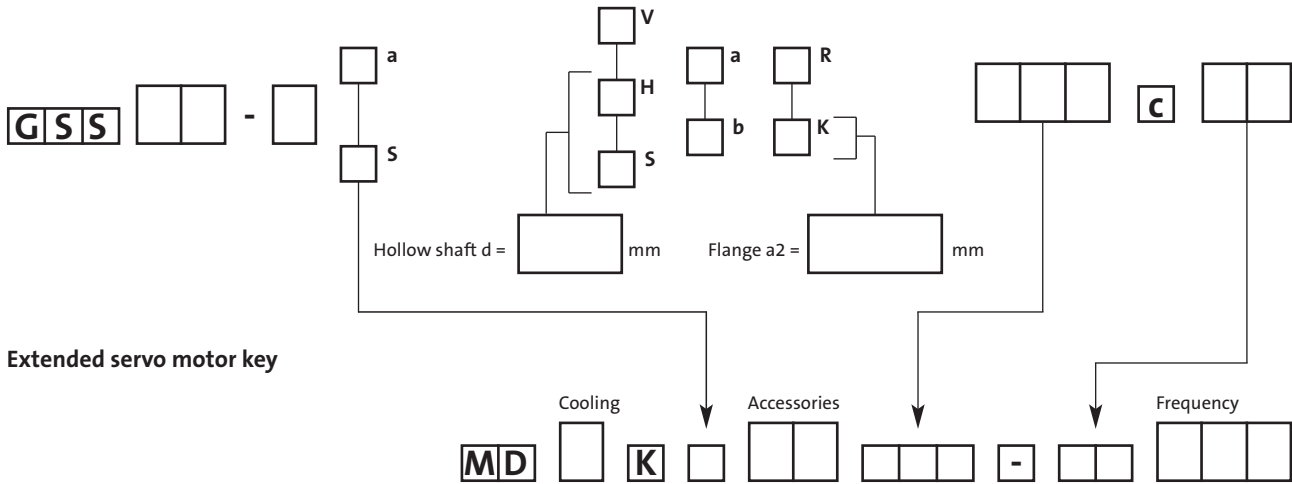
| | | | | | | | |
|--|--|--|--|--|--|--|--|
| | | | | | | | |
|--|--|--|--|--|--|--|--|

Page ___

Order no.

i =

| | | | | | | | |
|--|--|--|--|--|--|--|--|
| | | | | | | | |
|--|--|--|--|--|--|--|--|



Other ordering information

Mounting position

| | | | | | |
|--------------------------|--------------------------|--------------------------|--------------------------|--------------------------|--------------------------|
| <input type="checkbox"/> | <input type="checkbox"/> | <input type="checkbox"/> | <input type="checkbox"/> | <input type="checkbox"/> | <input type="checkbox"/> |
| A | B | C | D | E | F |

Position of system elements
(mark unspecified positions with 0)

| | | | | | | | | | | | |
|--------------------------|--------------------------|--------------------------|--------------------------|--------------------------|--------------------------|--------------------------|--------------------------|--------------------------|--------------------------|--------------------------|--------------------------|
| Shaft | | | | Flange | | | | Connector/Terminal box | | | |
| <input type="checkbox"/> | <input type="checkbox"/> | <input type="checkbox"/> | <input type="checkbox"/> | <input type="checkbox"/> | <input type="checkbox"/> | <input type="checkbox"/> | <input type="checkbox"/> | <input type="checkbox"/> | <input type="checkbox"/> | <input type="checkbox"/> | <input type="checkbox"/> |
| 0 | 3 | 5 | 8 | 0 | 3 | 5 | 8 | 2 | 3 | 4 | 5 |

Colour

| | | | |
|--------------------------|------------------------|--------------------------|-------------|
| <input type="checkbox"/> | Paint RAL 9005 (black) | <input type="checkbox"/> | Grey primer |
|--------------------------|------------------------|--------------------------|-------------|

Gearbox options

Special lubricant

CLP-HC 220

Special paint finish

RAL

| |
|--|
| |
|--|

Shaft sealing rings

Viton

Accessories

| | |
|---|--|
| <input type="checkbox"/> Torque plate on housing foot | <input type="checkbox"/> Torque plate pitch circle |
| <input type="checkbox"/> 2nd output shaft end | <input type="checkbox"/> Mounting set for hollow shaft circlip |
| <input type="checkbox"/> Shrink disc cover | <input type="checkbox"/> Hoseproof hollow shaft cover |

Oil control

Oil-sight glass

Ventilation

Breather elements for size 05 ...07

Servo motor options

Approval

UR approval (not with brake 205 V)

Brake

| | |
|----------------------------------|-----------------------------------|
| <input type="checkbox"/> 24 V DC | <input type="checkbox"/> 205 V DC |
|----------------------------------|-----------------------------------|

SinCos encoder

| | |
|-------------------------------------|--------------------------------------|
| <input type="checkbox"/> multi-turn | <input type="checkbox"/> single-turn |
|-------------------------------------|--------------------------------------|

Incremental encoders

| | |
|---------------------------------|---------------------------------|
| <input type="checkbox"/> ITD 21 | <input type="checkbox"/> ITD 22 |
|---------------------------------|---------------------------------|

Degree of protection

IP54 IP65 (naturally ventilated only)

Power connection

| | |
|------------------------------------|---------------------------------------|
| <input type="checkbox"/> Connector | <input type="checkbox"/> Terminal box |
|------------------------------------|---------------------------------------|

Encoder connection

| | |
|------------------------------------|---|
| <input type="checkbox"/> Connector | <input type="checkbox"/> Terminal box (only in conjunction with power connection on terminal box) |
|------------------------------------|---|

See page 1-16 for ordering data for servo inverters

Customer no.

| | | | | | | | |
|--|--|--|--|--|--|--|--|
| | | | | | | | |
|--|--|--|--|--|--|--|--|

Order no. _____

Servo inverter 93□□ with accessories

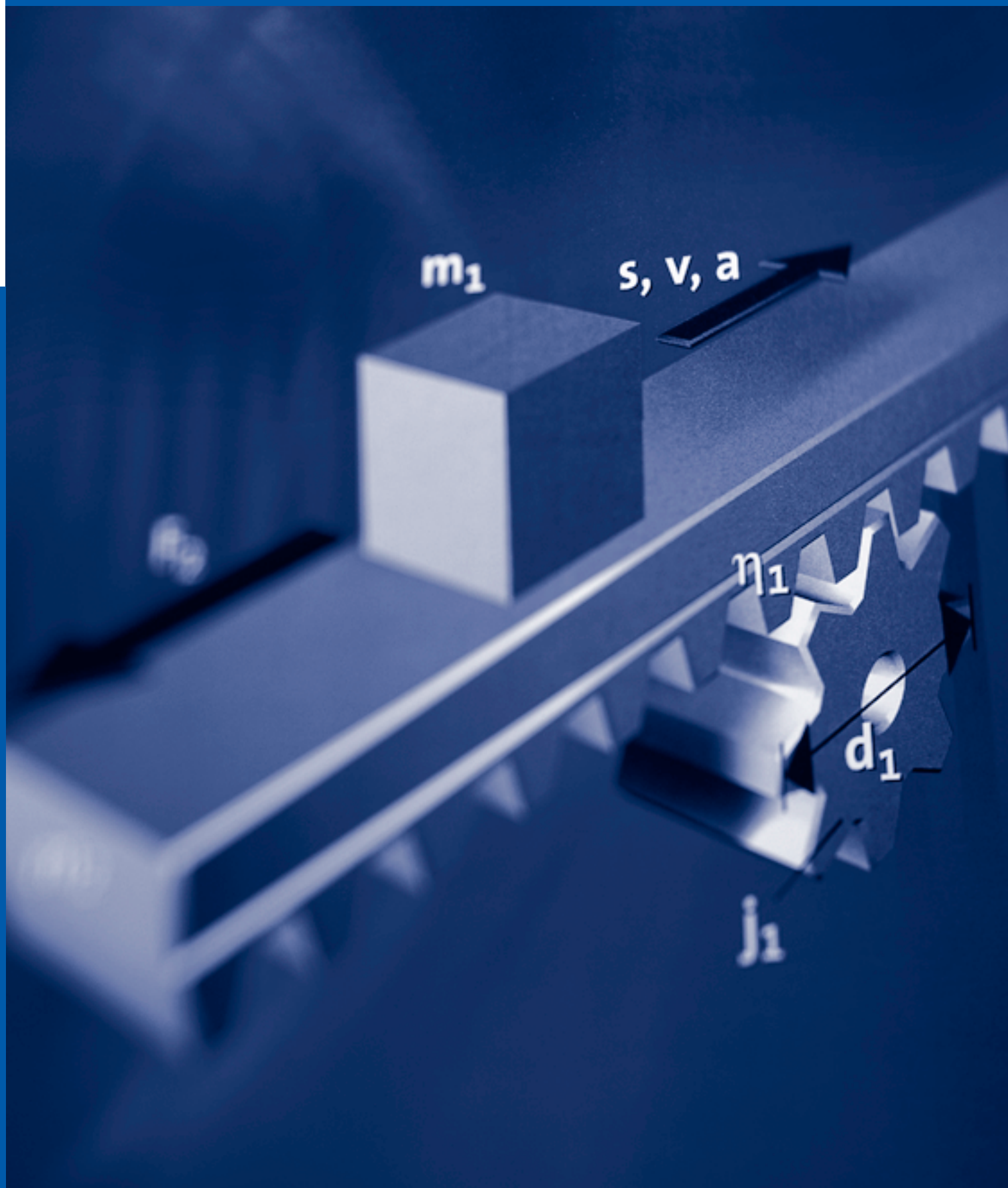
| Designation | Type | Quantity | Type | Quantity |
|--------------------|-----------|----------|-----------|----------|
| Servo inverter | EVS93__-E | | EVS93__-E | |
| Circuit breaker | | | | |
| Fuse | | | | |
| Fuse holder | | | | |
| Mains filter A | | | | |
| Mains filter B | | | | |
| Thermal separation | | | | |
| DC fuses | | | | |
| Fuse holder | | | | |
| Brake chopper | | | | |
| Brake resistor | | | | |

| Designation | Type | Quantity |
|--|----------------|----------|
| Setpoint potentiometer | ERPD0010k0001W | |
| Rotary knob for potentiometer | ERZ0001 | |
| Scale for potentiometer | ERZ0002 | |
| Operating module 9371BB | EMZ9371BB | |
| Digital display | EPD203 | |
| Brake module | EMB9351-E | |
| LECOM A/B module | EMF2102IB-V001 | |
| LECOM B module | EMF2102IB-V002 | |
| Level converter for LECOM B | EMF2101IB | |
| PC system cable LECOM A/B | EWL0001 | |
| LECOM LI module | EMF2102IB-V003 | |
| Optical fibre adapter for PLC 0...40 m | EMF2125IB | |
| Power supply unit for 2125 | EJ0013 | |
| INTERBUS-S module | EMF2111IB | |
| PROFIBUS module | EMF2131IB | |

Regenerative power supply module 934XE

| Designation | Type | Quantity | Type | Quantity |
|--------------------|------------|----------|------------|----------|
| RPS module | EMB934__-E | | EMB934__-E | |
| Fuse | | | | |
| Fuse holder | | | | |
| Mains filter A | | | | |
| Thermal separation | | | | |





| | |
|---|------|
| Our service | 2-2 |
| Why dimensioning? | 2-4 |
| Scope | 2-5 |
| Selecting a servo motor | 2-6 |
| Operating modes | 2-6 |
| Graph of a drive axis | 2-7 |
| Operating mode S1 | 2-8 |
| Operating modes S2, S3 and S6 | 2-12 |
| Speed profiles | 2-16 |
| Maximum gearbox input speeds/ recommended motors for S1 and S6 | 2-23 |
| Speed correction factors | 2-24 |
| Additional radial force factors / Application factors | 2-25 |
| GST, GFL, GKS, GKR efficiency | 2-26 |
| GSS efficiency | 2-27 |

Gearbox versions

| | |
|----------------------------|------|
| General data | 2-35 |
| Basic versions | 2-36 |
| Options | 2-37 |
| Gearboxes with ventilation | 2-38 |
| Lubricants | 2-39 |

Servo motor designs

| | |
|----------------------|------|
| General data | 2-40 |
| Built-on accessories | 2-41 |

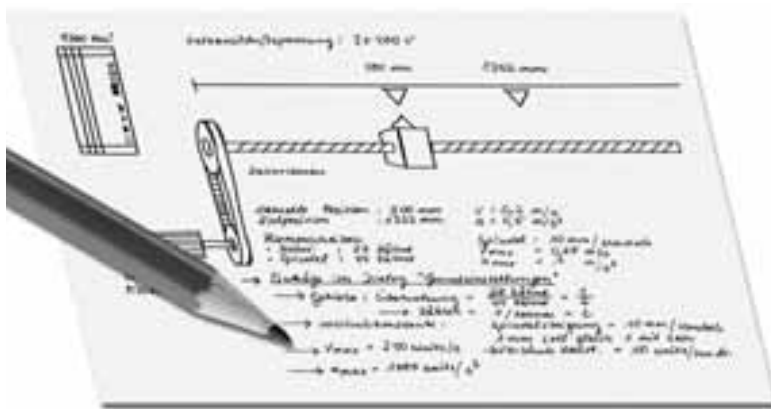
Servo inverter designs

| | |
|--------------|------|
| General data | 2-42 |
| Applications | 2-44 |
| Features | 2-45 |

Project planning manual

Lenze wants to assist you in optimising your project planning processes. Drive selection and dimensioning is the foundation of all plant planning. This project planning manual for Lenze geared servo motors will guide you from the initial torque and speed input variables right through to a functional and efficient drive train. Your local Lenze subsidiary will assist you in drive dimensioning, please consult with us.

2



Does this tedious process look familiar?

Using the Drive Solution Designer, Lenze sales staff can help you to complete your entire project planning process, quickly, efficiently and accurately, without the need for preliminary sketches.





The original application data and the results from the Drive Solution Designer are summarised in a document in a structured manner. Lenze sales staff can check the drive dimensions using an integrated diagnostic tool and ensure that the drive meets all your requirements.

The graphical analysis provides clear, comprehensive information about the drive load and configuration. The hardware required by the solution is documented; this simplifies the ordering process and means that the complete solution can be supplied quickly.



Thermal dimensioning

For the **inverter**, thermal dimensioning uses the continuous inverter current or the maximum continuous torque of the motor/inverter combination.

For the **motor**, thermal dimensioning uses the average speed and effective torque.

For the **gearbox**, thermal dimensioning uses the average speed and the continuous torque of the motor/gearbox combination. The specified thermal limit speed is intended as a recommendation. The average speed of the drive must not exceed the specified value.

Dimensioning in 3 steps

The dimensioning of geared servo motors can be divided into 3 steps, which are listed separately for each of the operating modes referred to above (S1, S2, S3, S6, profile):

Determination of input variables, including:

- ▶ Load torque, load speed, acceleration (for speed profiles several operating points with times)
- ▶ Maximum torque
- ▶ Mounting position
- ▶ Power load
- ▶ Method of torque transmission

Calculation of process requirement values, including:

- ▶ Overall torques from load torque and acceleration
- ▶ Maximum load torque
- ▶ Effective torque
- ▶ Average speed
- ▶ Maximum speed

Selection of geared servo motor and checking selection for fulfilment of requirement values, including:

- ▶ Calculation of overall torque on motor side (effective torque, maximum torque)
- ▶ Thermal checking of motor by reference to effective torque and average speed
- ▶ Thermal checking of gearbox by reference to average speed and effective torque
- ▶ Checking of maximum gearbox torque by reference to periodic torques and sporadic maximum torques
- ▶ Checking of motor/inverter combination by reference to maximum torques
- ▶ Checking of load adjustment
- ▶ Checking of axial and radial force on gearbox

To obtain a **reliable selection** particular attention must be given to choosing and **checking the drive**. The various elements involved in dimensioning and checking are described in more detail below. Special emphasis is placed on **compliance with the limits of the geared servo motor drive** (functional limits, thermal limits, mechanical limits).



Dimensioning of geared servo motors for kinematic profiles, operating modes S1, S2, S3, S6 and speed profiles

Suitable for simple linear speed profiles, not for S-curves or similar. For complex or full-load dimensioning, please contact your local Lenze dealer.

Standard operating conditions:

- ▶ Single-shift operation, 8 hours a day, 240 days a year
- ▶ Ambient temperature up to 30°C
- ▶ Operating time 5.5 hours in a day
- ▶ Average speed utilisation related to load speed of the geared motor 80%
- ▶ Mounting position A
- ▶ Site altitude up to 1000 m amsl

Included

- ▶ Rated mains voltage AC 400 V, 3-phase
- ▶ Ambient temperature
- ▶ Site altitude
- ▶ Dimensioning with 9300 and ECS speed/torque characteristic curves for mains voltages of 400 V, 3-phase
- ▶ Process requirement
- ▶ Preselection of motor
- ▶ Load capacity of gearbox
- ▶ Intended transmission ratio
- ▶ Max. permissible gearbox input speed
- ▶ Axial and radial load on gearbox output shaft
- ▶ Total reduced moment of inertia
- ▶ Load adjustment to moments of inertia

Not included

- ▶ Correct consideration of efficiency in motor mode/generator mode
- ▶ Accessories such as brake choppers, brake resistors, feedback systems, mains filters
- ▶ Current derating on 9300 servo at low speeds
- ▶ Specific ambient conditions such as special power system characteristics, high temperatures/altitudes, contamination, outdoor use, explosion protection
- ▶ Maximum standstill current
- ▶ Setting the controller inhibit to reduce the heat load on the drive

Selecting a servo motor

Once the technical data has been obtained, a selection must be made between synchronous or asynchronous motors and between naturally ventilated or forced ventilated motors.

- ▶ **Process does not permit** air flow → Motor without fan MDSK□
- ▶ **Fluff** or similar, which might block the air ducts → Motor without fan MDSK□
- ▶ **High degree of protection** required → Motor without fan MDSK□
- ▶ **High dynamics** required → Motor with fan MDFK
→ Synchronous servo motor MD□KS
- ▶ Operation at **constant power** and high speeds (field weakening operation) → Asynchronous servo motor MD□KA
- ▶ **Very high power density** → Synchronous servo motor MD□KS
- ▶ **Servo motors running** in parallel mode on one inverter → Asynchronous servo motors MD□KA

Operating modes

The operating mode is important when selecting a motor. For example, the temperature rise on a motor subject to short-term load will be lower than that on a motor subject to long-term load. Operating modes S1 to S8 have been defined in accordance with EN 60034.

Continuous operation S1

The operating time at rated power is long enough for the machine to reach steady-state temperature. The motor operates continuously at rated power.

Short-term operation S2

In comparison with the subsequent pause, the operating time is too short for the machine to reach steady-state temperature. During the subsequent lengthy pause, the motor cools down to the initial temperature.

Intermittent operation S3, S4, S5

Cycles of the same type combine to form a sequence. The cycle time is usually 10 minutes.

- ▶ S3: The start-up current is not significant for the temperature rise of the motor.
- ▶ S4: The start-up current contributes to the temperature rise of the motor.
- ▶ S5: The start-up current and braking current contribute to the temperature rise of the motor.

Continuous operation with intermittent loading S6

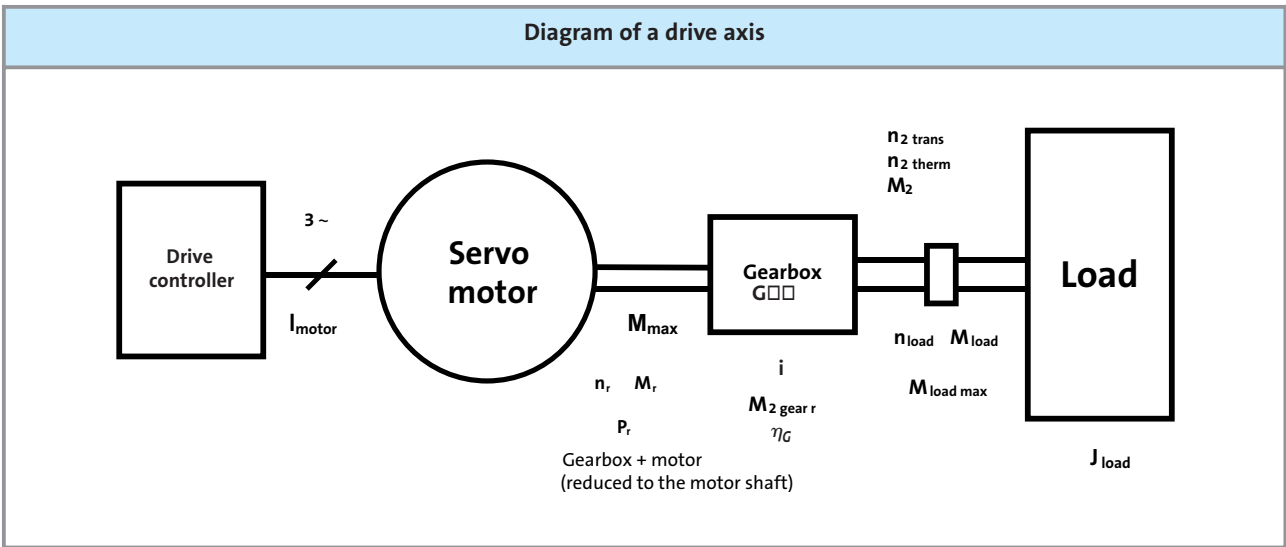
The motor continues to be ventilated during the no-load phases, enabling it to cool down.

Uninterrupted operation with acceleration and braking S7

The motor runs almost without pauses.

Uninterrupted operation S8 with pole-changing

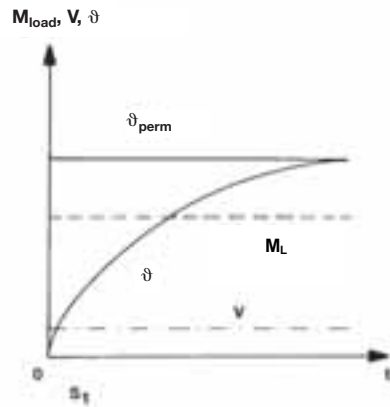
The machine runs constantly under load but with frequent speed variation.



Dimensioning of geared servo motors for operating mode S1 (EN 60034)

The drive is constantly loaded in operating mode S1, if necessary the direction of rotation is changed or an alternating load is used.

Prerequisite: constant power loss, neglect of start-up process (constant temperature rise)



Required input variables

| | | |
|---|---|---------------------------|
| Operating time/day | _____ | [h] |
| Average speed utilisation of geared motor | _____ | [%] |
| Ambient temperature | $T_{amb} =$ _____ | [°C] |
| Site altitude above mean sea level | $h =$ _____ | [m] |
| Radial force | $F_r =$ _____ | [N] |
| Axial force | $F_a =$ _____ | [N] |
| Transmission element at gearbox | gear wheels, sprockets ... | _____ |
| Pitch circle diameter of transmission element | $d_w =$ _____ | [mm] |
| Load torque | $M_{load} =$ _____ | [Nm] |
| Load speed | $n_{load} =$ _____ | [rpm] |
| Short-time maximum torque | emergency-off, quick stop, occasional high starting duty | $M_{L, max} =$ _____ [Nm] |
| Runtime at maximum torque | | $t_{run} =$ _____ [%] |



Determine gearbox design and servo motor design

| | | |
|-------------------|---|---------|
| Gearbox type | GST, GFL, GKR, GKS, GSS, GPA | = _____ |
| Mounting position | A, B, C, D, E, F | = _____ |
| Output designs | Shaft design: hollow shaft, solid shaft, etc. | = _____ |
| | Flange | = _____ |
| Drive design | A (asynchronous)/S (synchronous) | = _____ |
| Cooling type | Naturally ventilated/forced ventilated | = _____ |

- ▶ **Product key** → Fold-out page at front
- ▶ Drive dimensioning chapter → Gearbox designs/Servo motor designs

| Determine the gearbox size from the forces | | |
|---|--|--|
| Determination of the axial and radial forces acting on the gearbox shaft | | |
| | Calculation | Check |
| Transmission element | $f_z = \underline{\hspace{2cm}}$ | |
| Radial force (from input variable or transmission element) | $F_r = 2000 \cdot \frac{M_{max} \cdot f_z}{d_w}$ | $F_r \leq F_{r, perm} = \min(f_w \cdot f_\alpha \cdot F_{r, Tab}; f_w \cdot F_{r, max})$ |
| Axial force | | $F_a \leq F_{a, perm} = F_{a, Tab} \text{ at } F_r = 0$ |
| <p>► $f_z \rightarrow$ Page 2-25. $f_w, f_\alpha, F_{r, Tab}, F_{a, Tab}$ → Technical data (depending on gearbox type) → permissible radial and axial forces</p> | | |
| Determine speed correction factors | | |
| Ambient temperature, site altitude | $k_{n1} = \underline{\hspace{2cm}}$ | |
| Mounting position | $k_{n2} = \underline{\hspace{2cm}}$ | |
| Average speed utilisation of the geared motor (in % of n_{load}) and daily operating time | $k_{n3} = \underline{\hspace{2cm}}$ | |
| ► $k_{n1}, k_{n2}, k_{n3} \rightarrow$ Page 2-24 | | |
| $k_n = k_{n1} \cdot k_{n2} \cdot k_{n3} = \underline{\hspace{2cm}}$ | | |



| Selecting and checking the geared servo motor/inverter combination | | |
|--|---|----------------------------|
| For maximum life expectancy, Lenze recommends the use of motors with a low rated speed for operating mode S1. → Page 2-23 | | |
| | Check | Selection |
| Output torque | $M_2 \geq M_L$ | $M_2 =$ _____ [Nm] |
| Output speed | $n_{2therm} \geq \frac{n_{load}}{k_n}$ (recommended) | $n_{2therm} =$ _____ [rpm] |
| | $n_{2trans} \geq n_{load}$ | $n_{2trans} =$ _____ [rpm] |
| Without alternating load | $M_{2Gr} \geq M_{load}$ | $M_{2Gr} =$ _____ [Nm] |
| With alternating load | $M_{2Gr} \geq M_{load} \cdot 1.4$ | |
| Ratio | | $i =$ _____ |
| Load capacity of the geared motor | | $c =$ _____ |
| Short-time maximum torque | $M_{2.max} \geq M_{L,max}$ | $M_{2.max} =$ _____ [Nm] |
| Servo inverters | The selection tables already contain appropriate controllers for the S1 operation, if necessary choose a larger controller for $M_{load,max}$. | Type = E _____ [kHz] |
| <p>► $M_2, n_{2therm}, n_{2trans}, M_{2Gr}, M_{2.max}, i, c,$ servo inverter → Selection tables (depending on gearbox type)</p> | | |
| Determination of the required load capacity | | |
| Intensity | $k_I = \frac{M_{load,max}}{M_2}$ | $k_I =$ _____ |
| With runtime $t_{run} > 10\%$, take intensity k_I from the calculation into account. With runtime $t_{run} \leq 10\%$, take application factor k from the diagram into account. | | |
| | | $k =$ _____ |
| ► k → page 2-25 | | |
| | Check | Selection |
| Load capacity | $t_{run} > 10\% \rightarrow c \geq k_I$ $t_{run} \leq 10\% \rightarrow c \geq k$ | $c =$ _____ |
| Determine the geared servo motor/inverter combination | | |
| ► General information → Fax orders | | |
| Dimensioning of other accessory components, such as brake choppers for operation in generator mode, mains filters, etc. | | |
| ► Servo inverter catalogue | | |

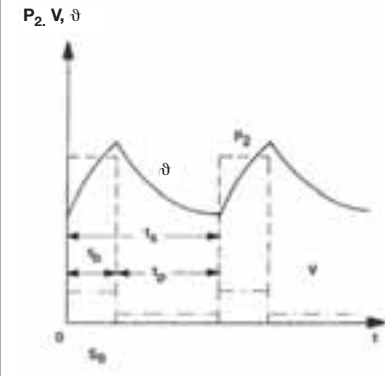
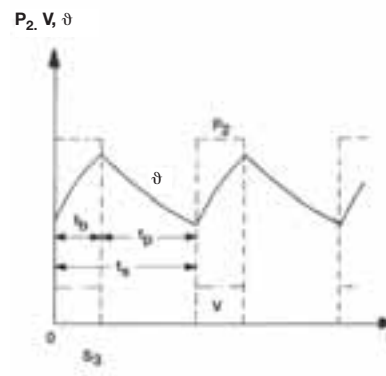
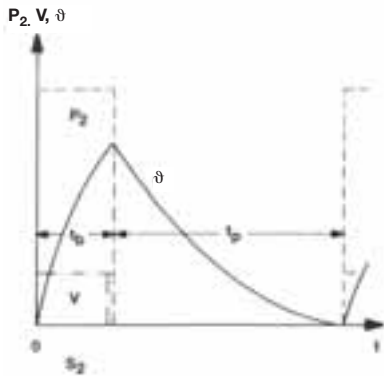
Dimensioning of geared servo motors for operation modes S2, S3 and S6 (EN 60034)

Short-time operation S2: Short-time running of the drive followed by a "long" pause

Periodic intermittent operation S3: Periodic alternation of the drive between on and off (maximum cycle time 10 min)

Periodic intermittent loading S6: The load alternates between on and off with the motor running constantly (maximum cycle time 10 min).

The acceleration process is not taken into account. For dynamic use dimensioning for profile is required.



Required input variables

| | | |
|---|---|---------------------------|
| Operating time/day | | _____ [h] |
| Average speed utilisation of geared motor | | _____ [%] |
| Operation mode | S2 | OT = _____ [min] |
| | S3, S6 | OT = _____ [%] |
| Ambient temperature | | T_{amb} = _____ [°C] |
| Site altitude above mean sea level | | h = _____ [m] |
| Radial force | | F_r = _____ [N] |
| Axial force | | F_a = _____ [N] |
| Transmission element at gearbox | gear wheels, sprockets ... | _____ |
| Pitch circle diameter of transmission element | | d_w = _____ [mm] |
| Load torque | | M_{load} = _____ [Nm] |
| Load speed | | n_{load} = _____ [rpm] |
| Short-time maximum torque | emergency-off, quick stop, occasional high starting duty | $M_{L, max}$ = _____ [Nm] |
| Runtime at maximum torque | | t_{run} = _____ [%] |



| Determine gearbox design and servo motor design | | |
|---|---|---------|
| Gearbox type | GST, GFL, GKR, GKS, GSS, GPA | = _____ |
| Mounting position | A, B, C, D, E, F | = _____ |
| Output designs | Shaft design: hollow shaft, solid shaft, etc. | = _____ |
| | Flange | = _____ |
| Drive design | A (asynchronous)/S (synchronous) | = _____ |
| Cooling type | Naturally ventilated/forced ventilated | = _____ |

- ▶ Product key → Fold-out page at front
- ▶ Drive dimensioning chapter → Gearbox designs/Servo motor designs

| Determine the gearbox size from the forces | | |
|--|--|--|
| Determination of the axial and radial forces acting on the gearbox shaft | | |
| | Calculation | Check |
| Transmission element | $f_z =$ _____ | |
| Radial force (from input variable or transmission element) | $F_r = 2000 \cdot \frac{M_{max} \cdot f_z}{d_w}$ | $F_r \leq F_{r, perm} = \min(f_w \cdot f_\alpha \cdot F_{r, Tab}; f_w \cdot F_{r, max})$ |
| Axial force | | $F_a \leq F_{a, perm} = F_{a, Tab} \text{ at } F_r = 0$ |

- ▶ f_z → Page 2-25. $f_w, f_\alpha, F_{r, Tab}, F_{a, Tab}$ → Technical data (depending on gearbox type) → permissible radial and axial forces

| Determine speed correction factors | |
|--|------------------|
| Ambient temperature, site altitude | $k_{n1} =$ _____ |
| Mounting position | $k_{n2} =$ _____ |
| Average speed utilisation of the geared motor (in % of n_{load}) and daily operating time | $k_{n3} =$ _____ |

- ▶ k_{n1}, k_{n2}, k_{n3} → Page 2-24

| Speed correction factors of average speed k_m | | | | | |
|---|-------|-------------------|-------|-------------------|-------|
| Operating mode S2 | | Operating mode S3 | | Operating mode S6 | |
| OT [min] | k_m | OT [%] | k_m | OT [%] | k_m |
| 10 | 0.16 | 15 | 0.15 | 15 | 1.00 |
| 30 | 0.50 | 25 | 0.25 | 25 | |
| 60 | 1.00 | 40 | 0.40 | 40 | |
| 90 | 1.00 | 60 | 0.60 | 60 | |

$$k_m = \text{_____}$$

$$k_n = \frac{k_{n1} \cdot k_{n2} \cdot k_{n3}}{k_m} = \text{_____}$$

Drive dimensioning

Operating modes S2, S3 and S6

Specify the overload factor k_L (guide values) according to the application/kinematics

| Operating mode S2 | | Operating mode S3 | | Operating mode S6 | |
|-------------------|----------|-------------------|----------|-------------------|----------|
| ED [min] | k_L | ED [%] | k_L | ED [%] | k_L |
| 10 | 1.4-1.5 | 15 | 1.4-1.5 | 15 | 1.5-1.6 |
| 30 | 1.15-1.2 | 25 | 1.3-1.4 | 25 | 1.4-1.5 |
| 60 | 1.07-1.1 | 40 | 1.15-1.2 | 40 | 1.3-1.4 |
| 90 | 1.0-1.05 | 60 | 1.05-1.1 | 60 | 1.15-1.2 |

$k_L =$ _____

Selecting and checking the geared servo motor/inverter combination

For maximum life expectancy, Lenze recommends the use of motors with a low rated speed for operating mode S1. → Page 2-23

| | Check | Selection |
|---|---|----------------------------|
| Output torque | $M_2 \geq \frac{M_L}{k_L}$ | $M_2 =$ _____ [Nm] |
| Output speed | $n_{2therm} \geq \frac{n_{load}}{k_n}$ (recommended) | $n_{2therm} =$ _____ [rpm] |
| | $n_{2trans} \geq n_{load}$ | $n_{2trans} =$ _____ [rpm] |
| Without alternating load | $M_{2Gr} \geq M_{load}$ | $M_{2Gr} =$ _____ [Nm] |
| With alternating load | $M_{2Gr} \geq M_{load} \cdot 1.4$ | |
| Ratio | | $i =$ _____ |
| Load capacity of the geared motor | | $c =$ _____ |
| Gearbox efficiency | $\eta_G = \eta_{c=1} - (c - 1) \cdot 0.01$ | $\eta_G =$ _____ |
| Thermal effective operating point below S1 torque characteristic of the servo motor | | |
| | $\left(\frac{i \cdot k_m \cdot n_{load}}{k_{n3}}, \frac{M_{load}}{k_L \cdot i \cdot \eta_G} \right)$ | _____, _____ |
| All operating points below the maximum torque characteristic of the servo motor/inverter combination, take $M_{load, max}$ into account | | |
| | $\left(i \cdot n_{load}, \frac{M_{load}}{i \cdot \eta_G} \right)$ | _____, _____ |
| Servo inverter | | Type = E _____ [kHz] |

- ▶ $\eta_{c=1}$ → Page 2-26
- ▶ $M_2, n_{2therm}, n_{2trans}, M_{2Gr}, M_{2, max}, c, i, \text{ servo inverter}$
- ▶ → Selection tables (depending on gearbox type)
- ▶ **Torque characteristic** → Integrated servo motors

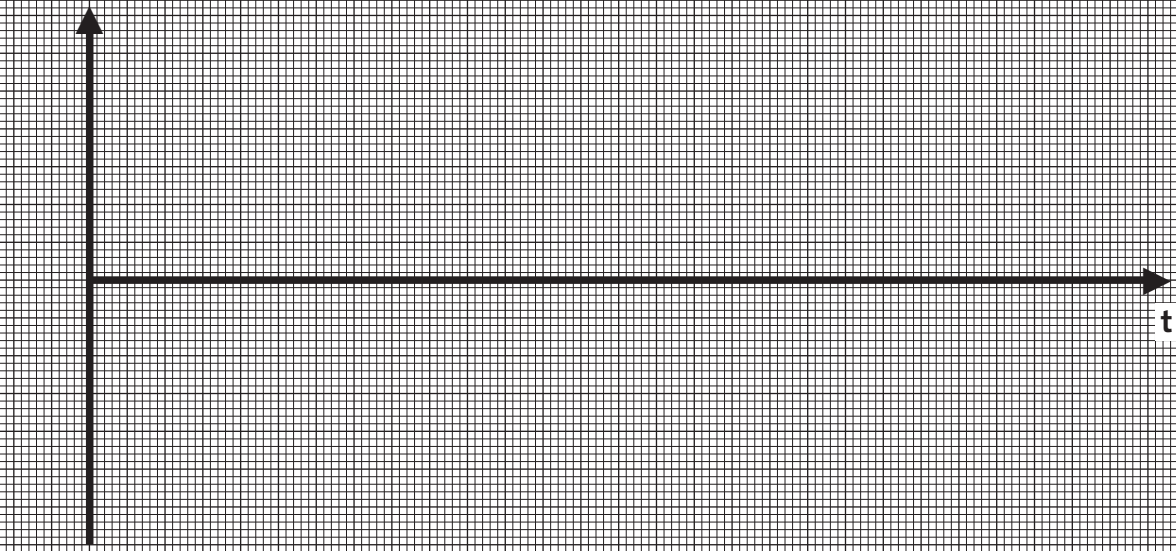
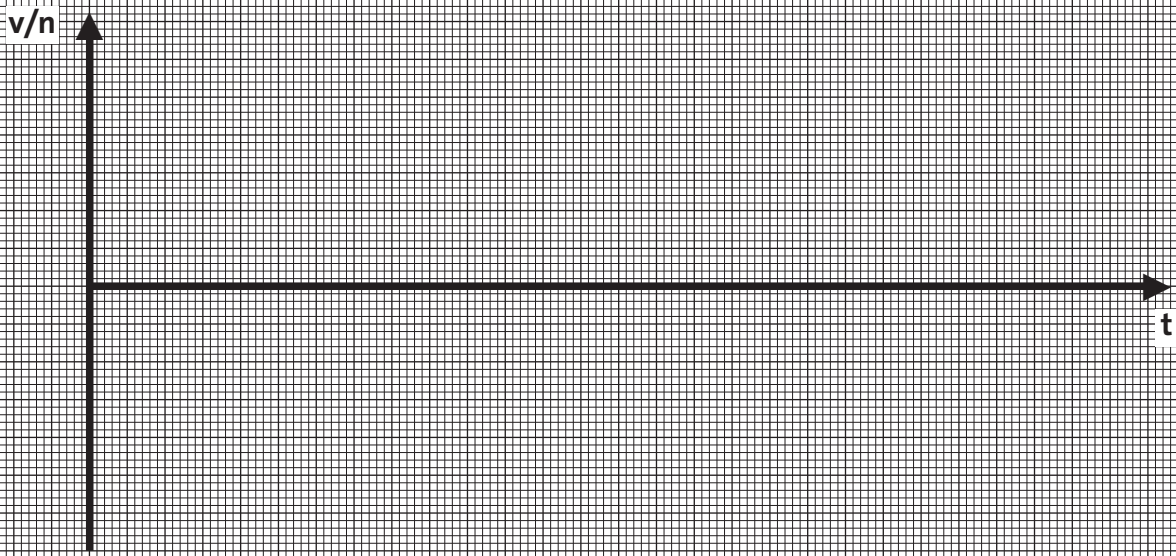
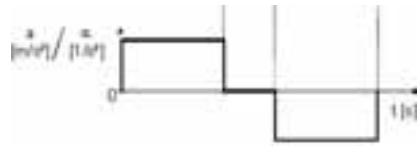
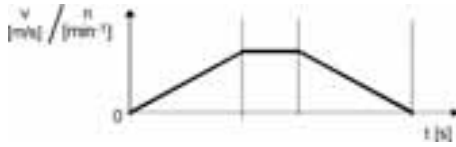


| Determination of the required load capacity | | |
|---|---|------------------|
| Intensity | $k_I = \frac{M_{L, max}}{M_2}$ | $k_I =$ _____ |
| With runtime $t_{run} > 10\%$, take intensity k_I from the calculation into account. | | |
| With runtime $t_{run} \leq 10\%$, take application factor k from the diagram into account. $k =$ _____ | | |
| ▶ $k \rightarrow$ page 2-25 | | |
| | Check | Selection |
| Load capacity | $t_{run} > 10\% \rightarrow c \geq k_I$ $t_{run} \leq 10\% \rightarrow c \geq k$ | $c =$ _____ |
| Determine the geared servo motor/inverter combination | | |
| ▶ General information \rightarrow Fax orders | | |
| Dimensioning of other accessory components, such as brake choppers for operation in generator mode, mains filters, etc. | | |
| ▶ Servo inverter catalogue | | |

Dimensioning of geared servo motors with speed profiles, cycle time/load cycle time ≤ 1 min

The profiles, some examples of which are shown below, must be determined.

A small sketch of the movement to be carried out can help with the subsequent calculation.





| Required input variables | | | | | | | |
|--|--|---|---|--|---------------------------|--|--|
| Operating time/day | | _____ [h] | | | | | |
| Average speed utilisation of geared motor | | _____ [%] | | | | | |
| Ambient temperature | | $T_{amb} =$ _____ | | | | [°C] | |
| Site altitude above mean sea level | | $h =$ _____ | | | | [m] | |
| Radial force | | $F_r =$ _____ | | | | [N] | |
| Axial force | | $F_a =$ _____ | | | | [N] | |
| Transmission element at gearbox | | gear wheels, sprockets ... | | _____ | | | |
| Pitch circle diameter of transmission element | | $d_w =$ _____ | | | | [mm] | |
| Short-time maximum torque | | emergency-off, quick stop, occasional high starting duty | | $M_{load, max}$ _____ [Nm] | | | |
| Runtime at maximum torque | | $t_{run} =$ _____ [%] | | | | | |
| Time characteristic of load for the individual time segments z | | | | | | | |
| Time t [s] | Individual time segments Δt_{time} [s] | Load speed $n_{load, z}$ [rpm] | Load speed variation $\Delta n_{load, z}$ [rpm] | Stationary load torque $M_{load, time}$ [Nm] | Torque M_{time} [Nm] | Acceleration torque $M_{s, time}$ [Nm] | Moment of inertia J_{load} [kgm ²] |
| | | | | | | | |
| | | | | | | | |
| | | | | | | | |
| | | | | | | | |
| | | | | | | | |
| | | | | | | | |
| | | | | | | | |
| | | | | | | | |
| | | | | | | | |
| | | | | | | | |
| | | | | | | | |
| | | | | | | | |
| | | | | | | | |
| | | | | | | | |
| | | | | | | | |
| Load cycle time | | $T = \sum \Delta t_{time}$ | | | $T =$ _____ [s] | | |
| Calculation of process requirement values | | | | | | | |
| Torque per time segment | | $M_z = M_{load, z} + J_{load} \cdot \frac{2\pi \cdot \Delta n_{load, z}}{60 \Delta t_z} = M_{load, z} + 0.105 \cdot \frac{\Delta n_{load, z}}{\Delta t_z} \cdot J_{load}$ | | | | | |
| Maximum torque of the profile | | $M_{p, max} = \max(M_z)$ | | | | $M_{p, max} =$ _____ [Nm] | |
| Effective torque | | $M_{eff} = \sqrt{\frac{1}{T} \sum M_z^2 \cdot \Delta t_z}, T \leq 1 \text{ min}$ | | | | $M_{eff} =$ _____ [Nm] | |
| Average speed | | $n_m = \overline{n_{load, z}} = \text{mean value}(n_{load, z}) = \frac{1}{T} \sum n_{load, z} \cdot \Delta t_z$ | | | | | |
| Maximum speed | | $n_{max} = \max(n_{load, z})$ | | | | $n_{max} =$ _____ [rpm] | |

| Determine gearbox design and servo motor design | | |
|--|--|--|
| Gearbox type | GST, GFL, GKR, GKS, GSS, GPA | = _____ |
| Mounting position | A, B, C, D, E, F | = _____ |
| Output designs | Shaft design: hollow shaft, solid shaft, etc. | = _____ |
| | Flange | = _____ |
| Drive design | A (asynchronous)/S (synchronous) | = _____ |
| Cooling type | Naturally ventilated/forced ventilated | = _____ |
| <ul style="list-style-type: none"> ▶ Product key → Fold-out page at front ▶ Drive dimensioning chapter → Gearbox designs/Servo motor designs | | |
| Determine the gearbox size from the forces | | |
| Determination of the axial and radial forces acting on the gearbox shaft | | |
| | Calculation | Check |
| Transmission element | $f_z = \underline{\hspace{2cm}}$ | |
| Radial force (from input variable or transmission element) | $F_r = 2000 \cdot \frac{M_{max} \cdot f_z}{d_w}$ | $F_r \leq F_{r, perm} = \min(f_w \cdot f_\alpha \cdot F_{r, Tab}; f_w \cdot F_{r, max})$ |
| Axial force | | $F_a \leq F_{a, perm} = F_{a, Tab} \text{ at } F_r = 0$ |
| <ul style="list-style-type: none"> ▶ f_z → Page 2-25. $f_w, f_\alpha, F_r, Tab, F_a, Tab$ → technical data (depending on gearbox type) → permissible radial and axial forces | | |
| Determine speed correction factors | | |
| Ambient temperature, site altitude | $k_{n1} = \underline{\hspace{2cm}}$ | |
| Mounting position | $k_{n2} = \underline{\hspace{2cm}}$ | |
| Average speed utilisation of the geared motor (in % of n_{load}) and daily operating time | $k_{n3} = \underline{\hspace{2cm}}$ | |
| $k_n = k_{n1} \cdot k_{n2} \cdot k_{n3} = \underline{\hspace{2cm}}$ | | |
| ▶ k_{n1}, k_{n2}, k_{n3} → Page 2-24 | | |



| Selecting and checking the servo geared motor/inverter combination | | |
|--|---|---|
| | Check | Preselection |
| Output torque | $M_2 > M_{eff}$ | $M_2 =$ _____ [Nm] |
| Output speed | $n_{2therm} \geq \frac{n_m}{k_n}$ (recommended) | $n_{2therm} =$ _____ [rpm] |
| | $n_{2trans} \geq n_{max}$ | $n_{2trans} =$ _____ [rpm] |
| Maximum speed | $n_{1,max} \leq n_{max} \cdot i$ | $n_{1,max} =$ _____ [rpm] |
| Without alternating load | $M_{2GN} \geq M_{p,max}$ | $M_{2GN} =$ _____ [Nm] |
| With alternating load | $M_{2GN} \geq M_{p,max} \cdot 1.4$ | |
| Load capacity of the geared motor | | $c =$ _____ |
| Gearbox efficiency | $\eta_G = \eta_{c=1} - (c - 1) \cdot 0.01$ | $\eta_G =$ _____ |
| Ratio | $i \approx \sqrt{\frac{J_{load}}{J_{GM} + J_B}}$ (for optimum $k_j = 1$) | $i =$ _____ |
| Load-matching factor for optimum dynamics/control properties | Requirement $k_j = 0.5$ to 10 Optimum $k_j = 1$ | $k_j = \frac{J_{load}}{i^2 \cdot (J_{GM} + J_B)} =$ _____ |

▶ $n_{1,max}$ → Page 2-23, ▶ $\eta_{c=1}$ → Page 2-26
 $M_2, n_{2therm}, n_{2trans}, M_{2GN}, c, i, J_{GM}$ → Selection tables (depending on gearbox type)
 J_B → Integrated servo motors

Check of motor torques

Consideration of the mass inertia of the gearbox, motor and brake

Acceleration torque

$$M_{S,z} = M_z + (J_{GM} + J_B) \cdot \frac{2\pi \cdot \Delta n_{load,z} \cdot i^2}{60 \Delta t_z} \quad M_{S,z} = \text{_____} \text{ [Nm]}$$

Effective torque

$$M_{S,eff} = \sqrt{\frac{1}{T} \sum_z M_{S,z}^2 \cdot \Delta t_z} \quad M_{S,eff} = \text{_____} \text{ [Nm]}$$

Thermal effective operating point below S1 torque characteristic of the servo motor

$$\left(\frac{i \cdot n_m}{k_{n3}}, \frac{M_{S,eff}}{i \cdot \eta_G} \right) \quad \text{_____, _____}$$

All operating points below the maximum torque characteristic of the servo motor/inverter combination,

$$\left(i \cdot n_{load,z}, \frac{M_{S,z}}{i \cdot \eta_G} \right) \quad \text{_____, _____}$$

Servo inverter

Type = E _____ [kHz]

► **Torque characteristic** → Integrated servo motors



| Determination of the required load capacity | | |
|---|---|------------------|
| Intensity | $k_I = \frac{M_{L, max}}{M_2}$ | $k_I =$ _____ |
| With runtime $t_{run} > 10\%$, take intensity k_I from the calculation into account. | | |
| With runtime $t_{run} \leq 10\%$, take application factor k from the diagram into account. $k =$ _____ | | |
| ▶ $k \rightarrow$ page 2-25 | | |
| | Check | Selection |
| Load capacity | $t_{run} > 10\% \rightarrow c \geq k_I$ $t_{run} \leq 10\% \rightarrow c \geq k$ | $c =$ _____ |
| Determine the geared servo motor/inverter combination | | |
| ▶ General information \rightarrow Fax orders | | |
| Dimensioning of other accessory components, such as brake choppers for operation in generator mode, mains filters, etc. | | |
| ▶ Servo inverter catalogue | | |





Maximum input speeds

which may not be exceeded even for a short time.

| Motor type | Input speed $n_{1,max}$ [rpm] | Motor type | Input speed $n_{1,max}$ [rpm] |
|---------------|----------------------------------|---------------|----------------------------------|
| MDSKA□□056-22 | 5000 | MDSKS□□056-23 | 5000 |
| MD□KA□□071-22 | 5000 | MDSKS□□056-33 | 5000 |
| MD□KA□□080-22 | 5000 | MD□KS□□071-03 | 5000 |
| MD□KA□□090-22 | 5000 | MD□KS□□071-13 | 5000 |
| MD□KA□□100-22 | 4000 | MD□KS□□071-33 | 5000 |
| MD□KA□□112-22 | 4000 | | |

Recommended motors for operating modes S1 and S6

With operating modes S1 and S6, the motor rotates with a constant, high speed. Motors with low rated speeds are preferable as regards service life and oil temperature rise.

| Motor type MD | |
|---------------|-------------------|
| MDSKS□□056-23 | MDSKA□□056-22 140 |
| MDSKS□□056-33 | MDSKA□□071-22 140 |
| MD□KS□□071-03 | MDSKA□□080-22 70 |
| MD□KS□□071-13 | MDSKA□□090-22 80 |
| MD□KS□□071-33 | MDSKA□□100-22 80 |
| | MDSKA□□112-22 85 |
| | MDFKA□□071-22 120 |
| | MDFKA□□080-22 60 |
| | MDFKA□□090-22 60 |
| | MDFKA□□100-22 60 |
| | MDFKA□□112-22 60 |

Ambient temperature and site altitude k_{n1}

| Ambient temperature T_{amb} [°C] | Site altitude h [m] above mean sea level | | | |
|--|--|--------|--------|--------|
| | < 1000 | < 2000 | < 3000 | < 4000 |
| | k_{n1} | | | |
| ≤ 20 | 1.15 | 1.04 | 0.92 | 0.81 |
| 30 | 1.00 | 0.90 | 0.80 | 0.70 |
| 40 | 0.80 | 0.72 | 0.64 | 0.56 |
| 50 | 0.60 | 0.54 | 0.48 | 0.42 |
| 60 | 0.40 | 0.36 | 0.32 | 0.28 |

2

Mounting positions k_{n2}

| Gearbox type | Mounting position | | | | | |
|--------------|-------------------|-----|------|------|------|------|
| | A | B | C | D | E | F |
| | k_{n2} | | | | | |
| GST | 1.0 | 0.8 | 0.8 | 0.7* | 1.0 | 1.0 |
| GFL | 1.0 | 0.8 | 0.85 | 0.7* | 0.9 | 0.8 |
| GKS | 1.0 | 0.8 | 0.8 | 0.7* | 0.8 | 0.8 |
| GKR | 1.0 | 0.9 | 0.8 | 0.8* | 0.95 | 0.95 |
| GSS | 1.0 | 0.9 | 0.8 | 0.8* | 0.95 | 0.95 |

* the average drive speed n_1 should not exceed 1500 min⁻¹

Daily operating time and average speed utilisation of the geared motor k_{n3}

| Daily operating time [h] | Average speed utilisation of the geared motor related to load speed n_{load} | | | | |
|-----------------------------|---|------|------|------|------|
| | 100% | 80% | 60% | 50% | 25% |
| | k_{n3} | | | | |
| 1.0 | 1.29 | 1.33 | 1.38 | 1.42 | 1.55 |
| 2.0 | 1.15 | 1.20 | 1.25 | 1.29 | 1.42 |
| 3.0 | 1.08 | 1.12 | 1.17 | 1.21 | 1.34 |
| 4.0 | 1.02 | 1.06 | 1.12 | 1.15 | 1.29 |
| 5.5 | 0.96 | 1.00 | 1.06 | 1.09 | 1.22 |
| 8.0 | 0.89 | 0.93 | 0.99 | 1.02 | 1.15 |
| 12.0 | 0.81 | 0.85 | 0.91 | 0.94 | 1.08 |
| 16.0 | 0.76 | 0.80 | 0.85 | 0.89 | 1.02 |
| 20.0 | 0.71 | 0.76 | 0.81 | 0.85 | 0.98 |
| 24.0 | 0.68 | 0.72 | 0.78 | 0.81 | 0.94 |

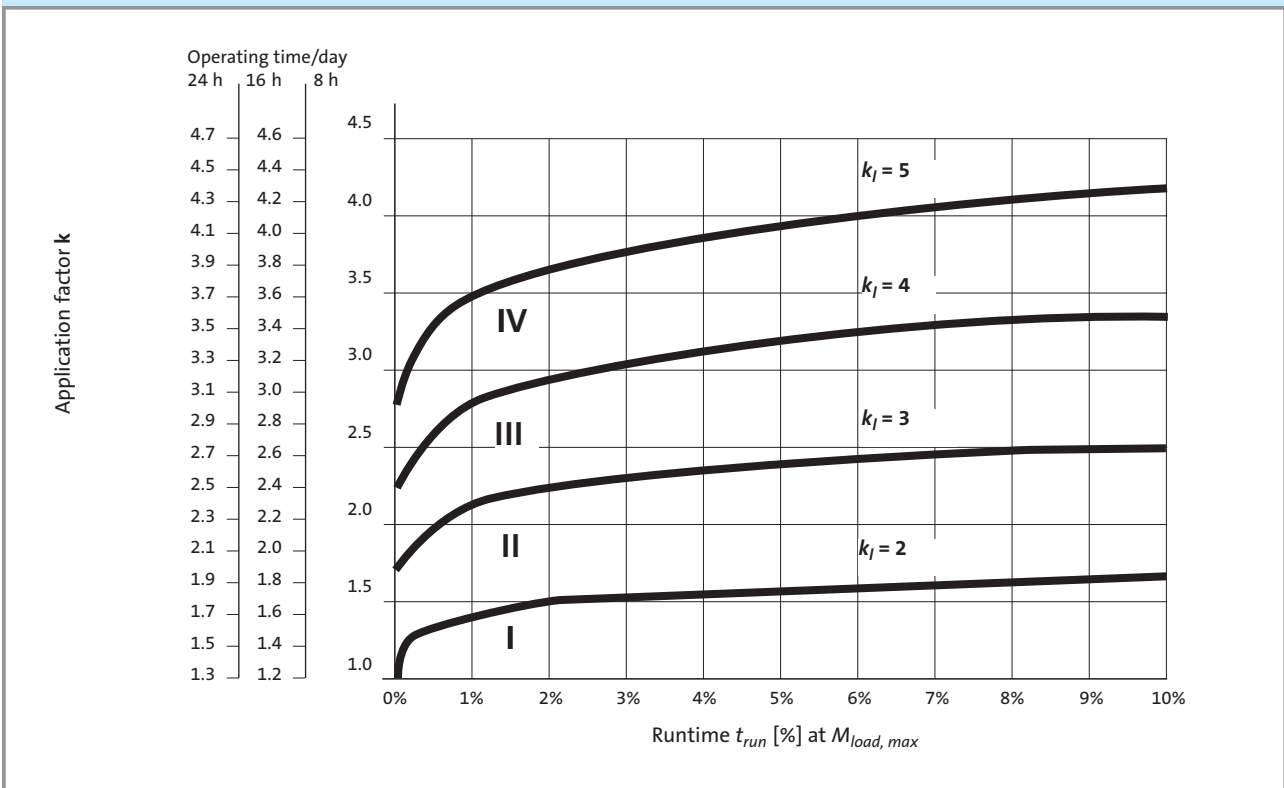


Additional radial force factors of the transmission elements

| Transmission element | f_z |
|---|-------------|
| Gear wheels | 1.12 |
| Sprockets | 1.25... 1.4 |
| Toothed belts | 1.5 |
| Narrow V-belts, depending on initial stress | 1.5 to 2.0 |

Application factors

Determine application factor k for the machine from the diagram.
Interpolation between the curves is permissible.



Efficiency

| Gearbox type | Number of stages | | | |
|-------------------------|------------------|-------|-------|-------|
| | 1 | 2 | 3 | 4 |
| Efficiency $\eta_{c=1}$ | | | | |
| GST | 0.985 | 0.970 | 0.956 | |
| GFL | 0.970 | | 0.956 | |
| GKR | | 0.950 | | |
| GKS | | | 0.950 | 0.934 |



During start-up, the start-up efficiency η_A of a helical-worm gearbox is lower than its operative efficiency at rated speed.

The start-up efficiency η_A must therefore always be considered when starting under load.

GSS 04 -2

| i | Output speed n_2 [rpm] | | | | | | | | | | | | | | |
|----------|--------------------------|--------------|--------------|--------------|--------------|--------------|--------------|--------------|--------------|--------------|--------------|--------------|--------------|--------------|------|
| | 1 | 5 | 10 | 16 | 25 | 32 | 40 | 63 | 100 | 160 | 250 | 400 | 630 | 800 | |
| | Efficiency | | | | | | | | | | | | | | |
| η_A | $\eta_{c=1}$ | $\eta_{c=1}$ | $\eta_{c=1}$ | $\eta_{c=1}$ | $\eta_{c=1}$ | $\eta_{c=1}$ | $\eta_{c=1}$ | $\eta_{c=1}$ | $\eta_{c=1}$ | $\eta_{c=1}$ | $\eta_{c=1}$ | $\eta_{c=1}$ | $\eta_{c=1}$ | $\eta_{c=1}$ | |
| 5.639 | 0.71 | 0.78 | 0.79 | 0.83 | 0.86 | 0.88 | 0.89 | 0.89 | 0.90 | 0.90 | 0.90 | 0.90 | 0.90 | 0.89 | 0.89 |
| 7.733 | 0.71 | 0.78 | 0.79 | 0.83 | 0.86 | 0.88 | 0.89 | 0.89 | 0.90 | 0.90 | 0.90 | 0.90 | 0.90 | 0.89 | 0.89 |
| 9.042 | 0.67 | 0.74 | 0.76 | 0.81 | 0.84 | 0.86 | 0.87 | 0.87 | 0.88 | 0.88 | 0.87 | 0.87 | 0.87 | 0.87 | |
| 9.897 | 0.71 | 0.78 | 0.79 | 0.83 | 0.86 | 0.88 | 0.89 | 0.89 | 0.90 | 0.90 | 0.90 | 0.90 | 0.90 | 0.89 | 0.89 |
| 10.827 | 0.71 | 0.78 | 0.79 | 0.83 | 0.86 | 0.88 | 0.89 | 0.89 | 0.90 | 0.90 | 0.90 | 0.90 | 0.90 | 0.89 | 0.89 |
| 12.400 | 0.67 | 0.74 | 0.76 | 0.81 | 0.84 | 0.86 | 0.87 | 0.87 | 0.88 | 0.88 | 0.87 | 0.87 | 0.87 | 0.87 | |
| 13.810 | 0.71 | 0.78 | 0.79 | 0.83 | 0.86 | 0.88 | 0.89 | 0.89 | 0.90 | 0.90 | 0.90 | 0.90 | 0.90 | 0.89 | 0.89 |
| 15.869 | 0.67 | 0.74 | 0.76 | 0.81 | 0.84 | 0.86 | 0.87 | 0.87 | 0.88 | 0.88 | 0.87 | 0.87 | 0.87 | 0.87 | |
| 17.360 | 0.67 | 0.74 | 0.76 | 0.81 | 0.84 | 0.86 | 0.87 | 0.87 | 0.88 | 0.88 | 0.87 | 0.87 | 0.87 | 0.87 | |
| 20.417 | 0.55 | 0.60 | 0.71 | 0.76 | 0.78 | 0.79 | 0.79 | 0.79 | 0.79 | 0.79 | 0.78 | 0.78 | | | |
| 22.143 | 0.67 | 0.74 | 0.76 | 0.81 | 0.84 | 0.86 | 0.87 | 0.87 | 0.88 | 0.88 | 0.87 | 0.87 | 0.87 | 0.87 | |
| 24.800 | 0.56 | 0.62 | 0.72 | 0.77 | 0.79 | 0.80 | 0.81 | 0.81 | 0.81 | 0.80 | 0.80 | 0.79 | | | |
| 27.125 | 0.67 | 0.74 | 0.76 | 0.81 | 0.84 | 0.86 | 0.87 | 0.87 | 0.88 | 0.88 | 0.87 | 0.87 | 0.87 | 0.87 | |
| 31.738 | 0.56 | 0.62 | 0.72 | 0.77 | 0.79 | 0.80 | 0.81 | 0.81 | 0.81 | 0.80 | 0.80 | 0.79 | | | |
| 34.100 | 0.67 | 0.74 | 0.76 | 0.81 | 0.84 | 0.86 | 0.87 | 0.87 | 0.88 | 0.88 | 0.87 | 0.87 | 0.87 | 0.87 | |
| 39.200 | 0.55 | 0.60 | 0.71 | 0.76 | 0.78 | 0.79 | 0.79 | 0.79 | 0.79 | 0.79 | 0.78 | 0.78 | | | |
| 43.917 | 0.67 | 0.74 | 0.76 | 0.81 | 0.84 | 0.86 | 0.87 | 0.87 | 0.88 | 0.88 | 0.87 | 0.87 | 0.87 | 0.87 | |
| 50.000 | 0.55 | 0.60 | 0.71 | 0.76 | 0.78 | 0.79 | 0.79 | 0.79 | 0.79 | 0.79 | 0.78 | 0.78 | | | |
| 54.250 | 0.56 | 0.62 | 0.72 | 0.77 | 0.79 | 0.80 | 0.81 | 0.81 | 0.81 | 0.80 | 0.80 | 0.79 | | | |
| 61.250 | 0.55 | 0.60 | 0.71 | 0.76 | 0.78 | 0.79 | 0.79 | 0.79 | 0.79 | 0.79 | 0.78 | 0.78 | | | |
| 68.200 | 0.56 | 0.62 | 0.72 | 0.77 | 0.79 | 0.80 | 0.81 | 0.81 | 0.81 | 0.80 | 0.80 | 0.79 | | | |
| 77.000 | 0.55 | 0.60 | 0.71 | 0.76 | 0.78 | 0.79 | 0.79 | 0.79 | 0.79 | 0.79 | 0.78 | 0.78 | | | |
| 87.833 | 0.56 | 0.62 | 0.72 | 0.77 | 0.79 | 0.80 | 0.81 | 0.81 | 0.81 | 0.80 | 0.80 | 0.79 | | | |
| 99.167 | 0.55 | 0.60 | 0.71 | 0.76 | 0.78 | 0.79 | 0.79 | 0.79 | 0.79 | 0.79 | 0.78 | 0.78 | | | |
| 111.318 | 0.56 | 0.62 | 0.72 | 0.77 | 0.79 | 0.80 | 0.81 | 0.81 | 0.81 | 0.80 | 0.80 | 0.79 | | | |
| 125.682 | 0.55 | 0.60 | 0.71 | 0.76 | 0.78 | 0.79 | 0.79 | 0.79 | 0.79 | 0.79 | 0.78 | 0.78 | | | |
| 139.500 | 0.56 | 0.62 | 0.72 | 0.77 | 0.79 | 0.80 | 0.81 | 0.81 | 0.81 | 0.80 | 0.80 | 0.79 | | | |
| 157.500 | 0.55 | 0.60 | 0.71 | 0.76 | 0.78 | 0.79 | 0.79 | 0.79 | 0.79 | 0.79 | 0.78 | 0.78 | | | |
| 183.786 | 0.56 | 0.62 | 0.72 | 0.77 | 0.79 | 0.80 | 0.81 | 0.81 | 0.81 | 0.80 | 0.80 | 0.79 | | | |
| 207.500 | 0.55 | 0.60 | 0.71 | 0.76 | 0.78 | 0.79 | 0.79 | 0.79 | 0.79 | 0.79 | 0.78 | 0.78 | | | |

GSS 05 -2

| i | Output speed n_2 [rpm] | | | | | | | | | | | | | | |
|---------|--------------------------|--------------|--------------|--------------|--------------|--------------|--------------|--------------|--------------|--------------|--------------|--------------|--------------|--------------|--------------|
| | 1 | 5 | 10 | 16 | 25 | 32 | 40 | 63 | 100 | 160 | 250 | 400 | 630 | 800 | |
| | Efficiency | | | | | | | | | | | | | | |
| | η_A | $\eta_{c=1}$ | $\eta_{c=1}$ | $\eta_{c=1}$ | $\eta_{c=1}$ | $\eta_{c=1}$ | $\eta_{c=1}$ | $\eta_{c=1}$ | $\eta_{c=1}$ | $\eta_{c=1}$ | $\eta_{c=1}$ | $\eta_{c=1}$ | $\eta_{c=1}$ | $\eta_{c=1}$ | $\eta_{c=1}$ |
| 5.639 | 0.71 | 0.79 | 0.81 | 0.85 | 0.87 | 0.89 | 0.90 | 0.90 | 0.91 | 0.91 | 0.91 | 0.91 | 0.90 | 0.90 | 0.90 |
| 7.733 | 0.71 | 0.79 | 0.81 | 0.85 | 0.87 | 0.89 | 0.90 | 0.90 | 0.91 | 0.91 | 0.91 | 0.91 | 0.90 | 0.90 | 0.90 |
| 9.042 | 0.67 | 0.75 | 0.79 | 0.83 | 0.86 | 0.87 | 0.88 | 0.88 | 0.89 | 0.89 | 0.88 | 0.88 | 0.88 | 0.88 | |
| 9.897 | 0.71 | 0.79 | 0.81 | 0.85 | 0.87 | 0.89 | 0.90 | 0.90 | 0.91 | 0.91 | 0.91 | 0.91 | 0.90 | 0.90 | 0.90 |
| 10.827 | 0.71 | 0.79 | 0.81 | 0.85 | 0.87 | 0.89 | 0.90 | 0.90 | 0.91 | 0.91 | 0.91 | 0.91 | 0.90 | 0.90 | 0.90 |
| 12.400 | 0.67 | 0.75 | 0.79 | 0.83 | 0.86 | 0.87 | 0.88 | 0.88 | 0.89 | 0.89 | 0.88 | 0.88 | 0.88 | 0.88 | |
| 13.810 | 0.71 | 0.79 | 0.81 | 0.85 | 0.87 | 0.89 | 0.90 | 0.90 | 0.91 | 0.91 | 0.91 | 0.91 | 0.90 | 0.90 | 0.90 |
| 15.869 | 0.67 | 0.75 | 0.79 | 0.83 | 0.86 | 0.87 | 0.88 | 0.88 | 0.89 | 0.89 | 0.88 | 0.88 | 0.88 | 0.88 | |
| 17.360 | 0.67 | 0.75 | 0.79 | 0.83 | 0.86 | 0.87 | 0.88 | 0.88 | 0.89 | 0.89 | 0.88 | 0.88 | 0.88 | 0.88 | |
| 20.417 | 0.55 | 0.62 | 0.74 | 0.79 | 0.80 | 0.81 | 0.81 | 0.81 | 0.81 | 0.81 | 0.81 | 0.81 | | | |
| 22.143 | 0.67 | 0.75 | 0.79 | 0.83 | 0.86 | 0.87 | 0.88 | 0.88 | 0.89 | 0.89 | 0.88 | 0.88 | 0.88 | 0.88 | |
| 24.800 | 0.57 | 0.63 | 0.75 | 0.79 | 0.81 | 0.82 | 0.82 | 0.83 | 0.83 | 0.82 | 0.82 | 0.82 | | | |
| 27.125 | 0.67 | 0.75 | 0.79 | 0.83 | 0.86 | 0.87 | 0.88 | 0.88 | 0.89 | 0.89 | 0.88 | 0.88 | 0.88 | 0.88 | |
| 31.738 | 0.57 | 0.63 | 0.75 | 0.79 | 0.81 | 0.82 | 0.82 | 0.83 | 0.83 | 0.82 | 0.82 | 0.82 | | | |
| 35.306 | 0.67 | 0.75 | 0.79 | 0.83 | 0.86 | 0.87 | 0.88 | 0.88 | 0.89 | 0.89 | 0.88 | 0.88 | 0.88 | 0.88 | |
| 39.200 | 0.55 | 0.62 | 0.74 | 0.79 | 0.80 | 0.81 | 0.81 | 0.81 | 0.81 | 0.81 | 0.81 | 0.81 | | | |
| 43.917 | 0.67 | 0.75 | 0.79 | 0.83 | 0.86 | 0.87 | 0.88 | 0.88 | 0.89 | 0.89 | 0.88 | 0.88 | 0.88 | 0.88 | |
| 50.000 | 0.55 | 0.62 | 0.74 | 0.79 | 0.80 | 0.81 | 0.81 | 0.81 | 0.81 | 0.81 | 0.81 | 0.81 | | | |
| 54.250 | 0.57 | 0.63 | 0.75 | 0.79 | 0.81 | 0.82 | 0.82 | 0.83 | 0.83 | 0.82 | 0.82 | 0.82 | | | |
| 61.250 | 0.55 | 0.62 | 0.74 | 0.79 | 0.80 | 0.81 | 0.81 | 0.81 | 0.81 | 0.81 | 0.81 | 0.81 | | | |
| 70.611 | 0.57 | 0.63 | 0.75 | 0.79 | 0.81 | 0.82 | 0.82 | 0.83 | 0.83 | 0.82 | 0.82 | 0.82 | | | |
| 79.722 | 0.55 | 0.62 | 0.74 | 0.79 | 0.80 | 0.81 | 0.81 | 0.81 | 0.81 | 0.81 | 0.81 | 0.81 | | | |
| 87.833 | 0.57 | 0.63 | 0.75 | 0.79 | 0.81 | 0.82 | 0.82 | 0.83 | 0.83 | 0.82 | 0.82 | 0.82 | | | |
| 99.167 | 0.55 | 0.62 | 0.74 | 0.79 | 0.80 | 0.81 | 0.81 | 0.81 | 0.81 | 0.81 | 0.81 | 0.81 | | | |
| 113.667 | 0.57 | 0.63 | 0.75 | 0.79 | 0.81 | 0.82 | 0.82 | 0.83 | 0.83 | 0.82 | 0.82 | 0.82 | | | |
| 128.333 | 0.55 | 0.62 | 0.74 | 0.79 | 0.80 | 0.81 | 0.81 | 0.81 | 0.81 | 0.81 | 0.81 | 0.81 | | | |
| 137.950 | 0.57 | 0.63 | 0.75 | 0.79 | 0.81 | 0.82 | 0.82 | 0.83 | 0.83 | 0.82 | 0.82 | 0.82 | | | |
| 155.750 | 0.55 | 0.62 | 0.74 | 0.79 | 0.80 | 0.81 | 0.81 | 0.81 | 0.81 | 0.81 | 0.81 | 0.81 | | | |
| 176.313 | 0.57 | 0.63 | 0.75 | 0.79 | 0.81 | 0.82 | 0.82 | 0.83 | 0.83 | 0.82 | 0.82 | 0.82 | | | |
| 199.063 | 0.55 | 0.62 | 0.74 | 0.79 | 0.80 | 0.81 | 0.81 | 0.81 | 0.81 | 0.81 | 0.81 | 0.81 | | | |



GSS 05 -3

| i | Output speed n_2 [rpm] | | | | | | | | | | | | | | |
|---------|--------------------------|--------------|--------------|--------------|--------------|--------------|--------------|--------------|--------------|--------------|--------------|--------------|--------------|--------------|--------------|
| | 1 | 5 | 10 | 16 | 25 | 32 | 40 | 63 | 100 | 160 | 250 | 400 | 630 | 800 | |
| | Efficiency | | | | | | | | | | | | | | |
| | η_A | $\eta_{c=1}$ | $\eta_{c=1}$ | $\eta_{c=1}$ | $\eta_{c=1}$ | $\eta_{c=1}$ | $\eta_{c=1}$ | $\eta_{c=1}$ | $\eta_{c=1}$ | $\eta_{c=1}$ | $\eta_{c=1}$ | $\eta_{c=1}$ | $\eta_{c=1}$ | $\eta_{c=1}$ | $\eta_{c=1}$ |
| 125.476 | 0.67 | 0.75 | 0.79 | 0.83 | 0.86 | 0.87 | 0.88 | 0.88 | 0.89 | 0.89 | 0.88 | 0.88 | 0.88 | 0.88 | |
| 153.708 | 0.67 | 0.75 | 0.79 | 0.83 | 0.86 | 0.87 | 0.88 | 0.88 | 0.89 | 0.89 | 0.88 | 0.88 | 0.88 | 0.88 | |
| 193.233 | 0.67 | 0.75 | 0.79 | 0.83 | 0.86 | 0.87 | 0.88 | 0.88 | 0.89 | 0.89 | 0.88 | 0.88 | 0.88 | 0.88 | |
| 222.133 | 0.55 | 0.62 | 0.74 | 0.79 | 0.80 | 0.81 | 0.81 | 0.81 | 0.81 | 0.81 | 0.81 | 0.81 | 0.81 | 0.81 | |
| 250.952 | 0.57 | 0.63 | 0.75 | 0.79 | 0.81 | 0.82 | 0.82 | 0.83 | 0.83 | 0.82 | 0.82 | 0.82 | 0.82 | 0.82 | |
| 283.333 | 0.55 | 0.62 | 0.74 | 0.79 | 0.80 | 0.81 | 0.81 | 0.81 | 0.81 | 0.81 | 0.81 | 0.81 | 0.81 | 0.81 | |
| 307.417 | 0.57 | 0.63 | 0.75 | 0.79 | 0.81 | 0.82 | 0.82 | 0.83 | 0.83 | 0.82 | 0.82 | 0.82 | 0.82 | 0.82 | |
| 347.083 | 0.55 | 0.62 | 0.74 | 0.79 | 0.80 | 0.81 | 0.81 | 0.81 | 0.81 | 0.81 | 0.81 | 0.81 | 0.81 | 0.81 | |
| 386.467 | 0.57 | 0.63 | 0.75 | 0.79 | 0.81 | 0.82 | 0.82 | 0.83 | 0.83 | 0.82 | 0.82 | 0.82 | 0.82 | 0.82 | |
| 436.333 | 0.55 | 0.62 | 0.74 | 0.79 | 0.80 | 0.81 | 0.81 | 0.81 | 0.81 | 0.81 | 0.81 | 0.81 | 0.81 | 0.81 | |
| 497.722 | 0.57 | 0.63 | 0.75 | 0.79 | 0.81 | 0.82 | 0.82 | 0.83 | 0.83 | 0.82 | 0.82 | 0.82 | 0.82 | 0.82 | |
| 561.944 | 0.55 | 0.62 | 0.74 | 0.79 | 0.80 | 0.81 | 0.81 | 0.81 | 0.81 | 0.81 | 0.81 | 0.81 | 0.81 | 0.81 | |
| 630.803 | 0.57 | 0.63 | 0.75 | 0.79 | 0.81 | 0.82 | 0.82 | 0.83 | 0.83 | 0.82 | 0.82 | 0.82 | 0.82 | 0.82 | |
| 712.197 | 0.55 | 0.62 | 0.74 | 0.79 | 0.80 | 0.81 | 0.81 | 0.81 | 0.81 | 0.81 | 0.81 | 0.81 | 0.81 | 0.81 | |

GSS 06 -2

| i | Output speed n_2 [rpm] | | | | | | | | | | | | | | |
|---------|--------------------------|--------------|--------------|--------------|--------------|--------------|--------------|--------------|--------------|--------------|--------------|--------------|--------------|--------------|--------------|
| | 1 | 5 | 10 | 16 | 25 | 32 | 40 | 63 | 100 | 160 | 250 | 400 | 630 | 800 | |
| | Efficiency | | | | | | | | | | | | | | |
| | η_A | $\eta_{c=1}$ | $\eta_{c=1}$ | $\eta_{c=1}$ | $\eta_{c=1}$ | $\eta_{c=1}$ | $\eta_{c=1}$ | $\eta_{c=1}$ | $\eta_{c=1}$ | $\eta_{c=1}$ | $\eta_{c=1}$ | $\eta_{c=1}$ | $\eta_{c=1}$ | $\eta_{c=1}$ | $\eta_{c=1}$ |
| 5.833 | 0.72 | 0.80 | 0.83 | 0.87 | 0.89 | 0.90 | 0.91 | 0.91 | 0.91 | 0.92 | 0.92 | 0.92 | 0.91 | 0.91 | 0.91 |
| 8.000 | 0.72 | 0.80 | 0.83 | 0.87 | 0.89 | 0.90 | 0.91 | 0.91 | 0.91 | 0.92 | 0.92 | 0.92 | 0.91 | 0.91 | 0.91 |
| 9.042 | 0.67 | 0.75 | 0.81 | 0.85 | 0.87 | 0.88 | 0.89 | 0.89 | 0.89 | 0.89 | 0.89 | 0.89 | 0.89 | 0.89 | |
| 10.238 | 0.72 | 0.80 | 0.83 | 0.87 | 0.89 | 0.90 | 0.91 | 0.91 | 0.91 | 0.92 | 0.92 | 0.92 | 0.91 | 0.91 | 0.91 |
| 11.200 | 0.72 | 0.80 | 0.83 | 0.87 | 0.89 | 0.90 | 0.91 | 0.91 | 0.91 | 0.92 | 0.92 | 0.92 | 0.91 | 0.91 | 0.91 |
| 12.400 | 0.67 | 0.75 | 0.81 | 0.85 | 0.87 | 0.88 | 0.89 | 0.89 | 0.89 | 0.89 | 0.89 | 0.89 | 0.89 | 0.89 | |
| 14.286 | 0.72 | 0.80 | 0.83 | 0.87 | 0.89 | 0.90 | 0.91 | 0.91 | 0.91 | 0.92 | 0.92 | 0.92 | 0.91 | 0.91 | 0.91 |
| 15.869 | 0.67 | 0.75 | 0.81 | 0.85 | 0.87 | 0.88 | 0.89 | 0.89 | 0.89 | 0.89 | 0.89 | 0.89 | 0.89 | 0.89 | |
| 17.360 | 0.67 | 0.75 | 0.81 | 0.85 | 0.87 | 0.88 | 0.89 | 0.89 | 0.89 | 0.89 | 0.89 | 0.89 | 0.89 | 0.89 | |
| 20.417 | 0.57 | 0.64 | 0.77 | 0.81 | 0.82 | 0.83 | 0.83 | 0.83 | 0.83 | 0.83 | 0.83 | 0.83 | | | |
| 22.143 | 0.67 | 0.75 | 0.81 | 0.85 | 0.87 | 0.88 | 0.89 | 0.89 | 0.89 | 0.89 | 0.89 | 0.89 | 0.89 | 0.89 | |
| 24.800 | 0.57 | 0.64 | 0.77 | 0.81 | 0.83 | 0.83 | 0.83 | 0.83 | 0.83 | 0.83 | 0.83 | 0.83 | | | |
| 27.125 | 0.67 | 0.75 | 0.81 | 0.85 | 0.87 | 0.88 | 0.89 | 0.89 | 0.89 | 0.89 | 0.89 | 0.89 | 0.89 | 0.89 | |
| 31.738 | 0.57 | 0.64 | 0.77 | 0.81 | 0.83 | 0.83 | 0.83 | 0.83 | 0.83 | 0.83 | 0.83 | 0.83 | | | |
| 35.306 | 0.67 | 0.75 | 0.81 | 0.85 | 0.87 | 0.88 | 0.89 | 0.89 | 0.89 | 0.89 | 0.89 | 0.89 | 0.89 | 0.89 | |
| 39.200 | 0.57 | 0.64 | 0.77 | 0.81 | 0.82 | 0.83 | 0.83 | 0.83 | 0.83 | 0.83 | 0.83 | 0.83 | | | |
| 43.917 | 0.67 | 0.75 | 0.81 | 0.85 | 0.87 | 0.88 | 0.89 | 0.89 | 0.89 | 0.89 | 0.89 | 0.89 | 0.89 | 0.89 | |
| 50.000 | 0.57 | 0.64 | 0.77 | 0.81 | 0.82 | 0.83 | 0.83 | 0.83 | 0.83 | 0.83 | 0.83 | 0.83 | | | |
| 54.250 | 0.57 | 0.64 | 0.77 | 0.81 | 0.83 | 0.83 | 0.83 | 0.83 | 0.83 | 0.83 | 0.83 | 0.83 | | | |
| 61.250 | 0.57 | 0.64 | 0.77 | 0.81 | 0.82 | 0.83 | 0.83 | 0.83 | 0.83 | 0.83 | 0.83 | 0.83 | | | |
| 70.611 | 0.57 | 0.64 | 0.77 | 0.81 | 0.83 | 0.83 | 0.83 | 0.83 | 0.83 | 0.83 | 0.83 | 0.83 | | | |
| 79.722 | 0.57 | 0.64 | 0.77 | 0.81 | 0.82 | 0.83 | 0.83 | 0.83 | 0.83 | 0.83 | 0.83 | 0.83 | | | |
| 87.833 | 0.57 | 0.64 | 0.77 | 0.81 | 0.83 | 0.83 | 0.83 | 0.83 | 0.83 | 0.83 | 0.83 | 0.83 | | | |
| 99.167 | 0.57 | 0.64 | 0.77 | 0.81 | 0.82 | 0.83 | 0.83 | 0.83 | 0.83 | 0.83 | 0.83 | 0.83 | | | |
| 113.667 | 0.57 | 0.64 | 0.77 | 0.81 | 0.83 | 0.83 | 0.83 | 0.83 | 0.83 | 0.83 | 0.83 | 0.83 | | | |
| 128.333 | 0.57 | 0.64 | 0.77 | 0.81 | 0.82 | 0.83 | 0.83 | 0.83 | 0.83 | 0.83 | 0.83 | 0.83 | | | |
| 137.950 | 0.57 | 0.64 | 0.77 | 0.81 | 0.83 | 0.83 | 0.83 | 0.83 | 0.83 | 0.83 | 0.83 | 0.83 | | | |
| 155.750 | 0.57 | 0.64 | 0.77 | 0.81 | 0.82 | 0.83 | 0.83 | 0.83 | 0.83 | 0.83 | 0.83 | 0.83 | | | |
| 174.375 | 0.57 | 0.64 | 0.77 | 0.81 | 0.83 | 0.83 | 0.83 | 0.83 | 0.83 | 0.83 | 0.83 | 0.83 | | | |
| 196.875 | 0.57 | 0.64 | 0.77 | 0.81 | 0.82 | 0.83 | 0.83 | 0.83 | 0.83 | 0.83 | 0.83 | 0.83 | | | |



GSS 06 -3

| i | Output speed n_2 [rpm] | | | | | | | | | | | | | | |
|----------|--------------------------|--------------|--------------|--------------|--------------|--------------|--------------|--------------|--------------|--------------|--------------|--------------|--------------|--------------|--------------|
| | 1 | 5 | 10 | 16 | 25 | 32 | 40 | 63 | 100 | 160 | 250 | 400 | 630 | 800 | |
| | Efficiency | | | | | | | | | | | | | | |
| | η_A | $\eta_{c=1}$ | $\eta_{c=1}$ | $\eta_{c=1}$ | $\eta_{c=1}$ | $\eta_{c=1}$ | $\eta_{c=1}$ | $\eta_{c=1}$ | $\eta_{c=1}$ | $\eta_{c=1}$ | $\eta_{c=1}$ | $\eta_{c=1}$ | $\eta_{c=1}$ | $\eta_{c=1}$ | $\eta_{c=1}$ |
| 126.531 | 0.57 | 0.64 | 0.77 | 0.81 | 0.83 | 0.83 | 0.83 | 0.83 | 0.83 | 0.83 | 0.83 | 0.83 | 0.83 | 0.83 | 0.83 |
| 142.857 | 0.57 | 0.64 | 0.77 | 0.81 | 0.82 | 0.83 | 0.83 | 0.83 | 0.83 | 0.83 | 0.83 | 0.83 | 0.83 | 0.83 | 0.83 |
| 155.000 | 0.57 | 0.64 | 0.77 | 0.81 | 0.83 | 0.83 | 0.83 | 0.83 | 0.83 | 0.83 | 0.83 | 0.83 | 0.83 | 0.83 | 0.83 |
| 175.000 | 0.57 | 0.64 | 0.77 | 0.81 | 0.82 | 0.83 | 0.83 | 0.83 | 0.83 | 0.83 | 0.83 | 0.83 | 0.83 | 0.83 | 0.83 |
| 194.857 | 0.57 | 0.64 | 0.77 | 0.81 | 0.83 | 0.83 | 0.83 | 0.83 | 0.83 | 0.83 | 0.83 | 0.83 | 0.83 | 0.83 | 0.83 |
| 220.000 | 0.57 | 0.64 | 0.77 | 0.81 | 0.82 | 0.83 | 0.83 | 0.83 | 0.83 | 0.83 | 0.83 | 0.83 | 0.83 | 0.83 | 0.83 |
| 238.700 | 0.57 | 0.64 | 0.77 | 0.81 | 0.83 | 0.83 | 0.83 | 0.83 | 0.83 | 0.83 | 0.83 | 0.83 | 0.83 | 0.83 | 0.83 |
| 269.500 | 0.57 | 0.64 | 0.77 | 0.81 | 0.82 | 0.83 | 0.83 | 0.83 | 0.83 | 0.83 | 0.83 | 0.83 | 0.83 | 0.83 | 0.83 |
| 310.689 | 0.57 | 0.64 | 0.77 | 0.81 | 0.83 | 0.83 | 0.83 | 0.83 | 0.83 | 0.83 | 0.83 | 0.83 | 0.83 | 0.83 | 0.83 |
| 350.778 | 0.57 | 0.64 | 0.77 | 0.81 | 0.82 | 0.83 | 0.83 | 0.83 | 0.83 | 0.83 | 0.83 | 0.83 | 0.83 | 0.83 | 0.83 |
| 386.467 | 0.57 | 0.64 | 0.77 | 0.81 | 0.83 | 0.83 | 0.83 | 0.83 | 0.83 | 0.83 | 0.83 | 0.83 | 0.83 | 0.83 | 0.83 |
| 436.333 | 0.57 | 0.64 | 0.77 | 0.81 | 0.82 | 0.83 | 0.83 | 0.83 | 0.83 | 0.83 | 0.83 | 0.83 | 0.83 | 0.83 | 0.83 |
| 497.722 | 0.57 | 0.64 | 0.77 | 0.81 | 0.83 | 0.83 | 0.83 | 0.83 | 0.83 | 0.83 | 0.83 | 0.83 | 0.83 | 0.83 | 0.83 |
| 561.944 | 0.57 | 0.64 | 0.77 | 0.81 | 0.82 | 0.83 | 0.83 | 0.83 | 0.83 | 0.83 | 0.83 | 0.83 | 0.83 | 0.83 | 0.83 |
| 630.803 | 0.57 | 0.64 | 0.77 | 0.81 | 0.83 | 0.83 | 0.83 | 0.83 | 0.83 | 0.83 | 0.83 | 0.83 | 0.83 | 0.83 | 0.83 |
| 712.197 | 0.57 | 0.64 | 0.77 | 0.81 | 0.82 | 0.83 | 0.83 | 0.83 | 0.83 | 0.83 | 0.83 | 0.83 | 0.83 | 0.83 | 0.83 |
| 816.333 | 0.57 | 0.64 | 0.77 | 0.81 | 0.83 | 0.83 | 0.83 | 0.83 | 0.83 | 0.83 | 0.83 | 0.83 | 0.83 | 0.83 | 0.83 |
| 921.667 | 0.57 | 0.64 | 0.77 | 0.81 | 0.82 | 0.83 | 0.83 | 0.83 | 0.83 | 0.83 | 0.83 | 0.83 | 0.83 | 0.83 | 0.83 |
| 1023.000 | 0.57 | 0.64 | 0.77 | 0.81 | 0.83 | 0.83 | 0.83 | 0.83 | 0.83 | 0.83 | 0.83 | 0.83 | 0.83 | 0.83 | 0.83 |
| 1155.000 | 0.57 | 0.64 | 0.77 | 0.81 | 0.82 | 0.83 | 0.83 | 0.83 | 0.83 | 0.83 | 0.83 | 0.83 | 0.83 | 0.83 | 0.83 |
| 1241.550 | 0.57 | 0.64 | 0.77 | 0.81 | 0.83 | 0.83 | 0.83 | 0.83 | 0.83 | 0.83 | 0.83 | 0.83 | 0.83 | 0.83 | 0.83 |
| 1401.750 | 0.57 | 0.64 | 0.77 | 0.81 | 0.82 | 0.83 | 0.83 | 0.83 | 0.83 | 0.83 | 0.83 | 0.83 | 0.83 | 0.83 | 0.83 |
| 1635.693 | 0.57 | 0.64 | 0.77 | 0.81 | 0.83 | 0.83 | 0.83 | 0.83 | 0.83 | 0.83 | 0.83 | 0.83 | 0.83 | 0.83 | 0.83 |
| 1846.750 | 0.57 | 0.64 | 0.77 | 0.81 | 0.82 | 0.83 | 0.83 | 0.83 | 0.83 | 0.83 | 0.83 | 0.83 | 0.83 | 0.83 | 0.83 |

GSS 07 -2

| i | Output speed n_2 [rpm] | | | | | | | | | | | | | | |
|---------|--------------------------|--------------|--------------|--------------|--------------|--------------|--------------|--------------|--------------|--------------|--------------|--------------|--------------|--------------|--------------|
| | 1 | 5 | 10 | 16 | 25 | 32 | 40 | 63 | 100 | 160 | 250 | 400 | 630 | 800 | |
| | Efficiency | | | | | | | | | | | | | | |
| | η_A | $\eta_{c=1}$ | $\eta_{c=1}$ | $\eta_{c=1}$ | $\eta_{c=1}$ | $\eta_{c=1}$ | $\eta_{c=1}$ | $\eta_{c=1}$ | $\eta_{c=1}$ | $\eta_{c=1}$ | $\eta_{c=1}$ | $\eta_{c=1}$ | $\eta_{c=1}$ | $\eta_{c=1}$ | $\eta_{c=1}$ |
| 5.862 | 0.74 | 0.82 | 0.86 | 0.89 | 0.91 | 0.92 | 0.92 | 0.92 | 0.92 | 0.92 | 0.92 | 0.92 | 0.92 | 0.92 | 0.92 |
| 8.125 | 0.74 | 0.82 | 0.86 | 0.89 | 0.91 | 0.92 | 0.92 | 0.92 | 0.92 | 0.92 | 0.92 | 0.92 | 0.92 | 0.92 | 0.92 |
| 9.086 | 0.69 | 0.77 | 0.84 | 0.88 | 0.89 | 0.90 | 0.90 | 0.90 | 0.90 | 0.90 | 0.90 | 0.90 | 0.90 | 0.90 | |
| 10.000 | 0.74 | 0.82 | 0.86 | 0.89 | 0.91 | 0.92 | 0.92 | 0.92 | 0.92 | 0.92 | 0.92 | 0.92 | 0.92 | 0.92 | 0.92 |
| 11.200 | 0.74 | 0.82 | 0.86 | 0.89 | 0.91 | 0.92 | 0.92 | 0.92 | 0.92 | 0.92 | 0.92 | 0.92 | 0.92 | 0.92 | 0.92 |
| 12.594 | 0.69 | 0.77 | 0.84 | 0.88 | 0.89 | 0.90 | 0.90 | 0.90 | 0.90 | 0.90 | 0.90 | 0.90 | 0.90 | 0.90 | |
| 14.286 | 0.74 | 0.82 | 0.86 | 0.89 | 0.91 | 0.92 | 0.92 | 0.92 | 0.92 | 0.92 | 0.92 | 0.92 | 0.92 | 0.92 | 0.92 |
| 15.500 | 0.69 | 0.77 | 0.84 | 0.88 | 0.89 | 0.90 | 0.90 | 0.90 | 0.90 | 0.90 | 0.90 | 0.90 | 0.90 | 0.90 | |
| 17.360 | 0.69 | 0.77 | 0.84 | 0.88 | 0.89 | 0.90 | 0.90 | 0.90 | 0.90 | 0.90 | 0.90 | 0.90 | 0.90 | 0.90 | |
| 20.517 | 0.60 | 0.67 | 0.81 | 0.84 | 0.84 | 0.85 | 0.85 | 0.85 | 0.85 | 0.85 | 0.85 | 0.85 | | | |
| 22.143 | 0.69 | 0.77 | 0.84 | 0.88 | 0.89 | 0.90 | 0.90 | 0.90 | 0.90 | 0.90 | 0.90 | 0.90 | 0.90 | 0.90 | |
| 25.188 | 0.60 | 0.66 | 0.80 | 0.84 | 0.85 | 0.85 | 0.85 | 0.85 | 0.85 | 0.85 | 0.85 | 0.85 | | | |
| 27.125 | 0.69 | 0.77 | 0.84 | 0.88 | 0.89 | 0.90 | 0.90 | 0.90 | 0.90 | 0.90 | 0.90 | 0.90 | 0.90 | 0.90 | |
| 31.000 | 0.60 | 0.66 | 0.80 | 0.84 | 0.85 | 0.85 | 0.85 | 0.85 | 0.85 | 0.85 | 0.85 | 0.85 | | | |
| 35.306 | 0.69 | 0.77 | 0.84 | 0.88 | 0.89 | 0.90 | 0.90 | 0.90 | 0.90 | 0.90 | 0.90 | 0.90 | 0.90 | 0.90 | |
| 39.200 | 0.60 | 0.67 | 0.81 | 0.84 | 0.84 | 0.85 | 0.85 | 0.85 | 0.85 | 0.85 | 0.85 | 0.85 | | | |
| 43.271 | 0.69 | 0.77 | 0.84 | 0.88 | 0.89 | 0.90 | 0.90 | 0.90 | 0.90 | 0.90 | 0.90 | 0.90 | 0.90 | 0.90 | |
| 50.000 | 0.60 | 0.67 | 0.81 | 0.84 | 0.84 | 0.85 | 0.85 | 0.85 | 0.85 | 0.85 | 0.85 | 0.85 | | | |
| 54.250 | 0.60 | 0.66 | 0.80 | 0.84 | 0.85 | 0.85 | 0.85 | 0.85 | 0.85 | 0.85 | 0.85 | 0.85 | | | |
| 61.250 | 0.60 | 0.67 | 0.81 | 0.84 | 0.84 | 0.85 | 0.85 | 0.85 | 0.85 | 0.85 | 0.85 | 0.85 | | | |
| 70.611 | 0.60 | 0.66 | 0.80 | 0.84 | 0.85 | 0.85 | 0.85 | 0.85 | 0.85 | 0.85 | 0.85 | 0.85 | | | |
| 79.722 | 0.60 | 0.67 | 0.81 | 0.84 | 0.84 | 0.85 | 0.85 | 0.85 | 0.85 | 0.85 | 0.85 | 0.85 | | | |
| 86.542 | 0.60 | 0.66 | 0.80 | 0.84 | 0.85 | 0.85 | 0.85 | 0.85 | 0.85 | 0.85 | 0.85 | 0.85 | | | |
| 97.708 | 0.60 | 0.67 | 0.81 | 0.84 | 0.84 | 0.85 | 0.85 | 0.85 | 0.85 | 0.85 | 0.85 | 0.85 | | | |
| 113.667 | 0.60 | 0.66 | 0.80 | 0.84 | 0.85 | 0.85 | 0.85 | 0.85 | 0.85 | 0.85 | 0.85 | 0.85 | | | |
| 128.333 | 0.60 | 0.67 | 0.81 | 0.84 | 0.84 | 0.85 | 0.85 | 0.85 | 0.85 | 0.85 | 0.85 | 0.85 | | | |
| 137.950 | 0.60 | 0.66 | 0.80 | 0.84 | 0.85 | 0.85 | 0.85 | 0.85 | 0.85 | 0.85 | 0.85 | 0.85 | | | |
| 155.750 | 0.60 | 0.67 | 0.81 | 0.84 | 0.84 | 0.85 | 0.85 | 0.85 | 0.85 | 0.85 | 0.85 | 0.85 | | | |
| 174.375 | 0.60 | 0.66 | 0.80 | 0.84 | 0.85 | 0.85 | 0.85 | 0.85 | 0.85 | 0.85 | 0.85 | 0.85 | | | |
| 196.875 | 0.60 | 0.67 | 0.81 | 0.84 | 0.84 | 0.85 | 0.85 | 0.85 | 0.85 | 0.85 | 0.85 | 0.85 | | | |



GSS 07 -3

| i | Output speed n_2 [rpm] | | | | | | | | | | | | | | |
|----------|--------------------------|--------------|--------------|--------------|--------------|--------------|--------------|--------------|--------------|--------------|--------------|--------------|--------------|--------------|--------------|
| | 1 | 5 | 10 | 16 | 25 | 32 | 40 | 63 | 100 | 160 | 250 | 400 | 630 | 800 | |
| | Efficiency | | | | | | | | | | | | | | |
| | η_A | $\eta_{c=1}$ | $\eta_{c=1}$ | $\eta_{c=1}$ | $\eta_{c=1}$ | $\eta_{c=1}$ | $\eta_{c=1}$ | $\eta_{c=1}$ | $\eta_{c=1}$ | $\eta_{c=1}$ | $\eta_{c=1}$ | $\eta_{c=1}$ | $\eta_{c=1}$ | $\eta_{c=1}$ | $\eta_{c=1}$ |
| 126.531 | 0.60 | 0.66 | 0.80 | 0.84 | 0.85 | 0.85 | 0.85 | 0.85 | 0.85 | 0.85 | 0.85 | 0.85 | 0.85 | 0.85 | 0.85 |
| 142.857 | 0.60 | 0.67 | 0.81 | 0.84 | 0.84 | 0.85 | 0.85 | 0.85 | 0.85 | 0.85 | 0.85 | 0.85 | 0.85 | 0.85 | 0.85 |
| 155.000 | 0.60 | 0.66 | 0.80 | 0.84 | 0.85 | 0.85 | 0.85 | 0.85 | 0.85 | 0.85 | 0.85 | 0.85 | 0.85 | 0.85 | 0.85 |
| 175.000 | 0.60 | 0.67 | 0.81 | 0.84 | 0.84 | 0.85 | 0.85 | 0.85 | 0.85 | 0.85 | 0.85 | 0.85 | 0.85 | 0.85 | 0.85 |
| 201.746 | 0.60 | 0.66 | 0.80 | 0.84 | 0.85 | 0.85 | 0.85 | 0.85 | 0.85 | 0.85 | 0.85 | 0.85 | 0.85 | 0.85 | 0.85 |
| 227.778 | 0.60 | 0.67 | 0.81 | 0.84 | 0.84 | 0.85 | 0.85 | 0.85 | 0.85 | 0.85 | 0.85 | 0.85 | 0.85 | 0.85 | 0.85 |
| 247.139 | 0.60 | 0.66 | 0.80 | 0.84 | 0.85 | 0.85 | 0.85 | 0.85 | 0.85 | 0.85 | 0.85 | 0.85 | 0.85 | 0.85 | 0.85 |
| 279.028 | 0.60 | 0.67 | 0.81 | 0.84 | 0.84 | 0.85 | 0.85 | 0.85 | 0.85 | 0.85 | 0.85 | 0.85 | 0.85 | 0.85 | 0.85 |
| 321.673 | 0.60 | 0.66 | 0.80 | 0.84 | 0.85 | 0.85 | 0.85 | 0.85 | 0.85 | 0.85 | 0.85 | 0.85 | 0.85 | 0.85 | 0.85 |
| 363.179 | 0.60 | 0.67 | 0.81 | 0.84 | 0.84 | 0.85 | 0.85 | 0.85 | 0.85 | 0.85 | 0.85 | 0.85 | 0.85 | 0.85 | 0.85 |
| 394.245 | 0.60 | 0.66 | 0.80 | 0.84 | 0.85 | 0.85 | 0.85 | 0.85 | 0.85 | 0.85 | 0.85 | 0.85 | 0.85 | 0.85 | 0.85 |
| 445.116 | 0.60 | 0.67 | 0.81 | 0.84 | 0.84 | 0.85 | 0.85 | 0.85 | 0.85 | 0.85 | 0.85 | 0.85 | 0.85 | 0.85 | 0.85 |
| 490.403 | 0.60 | 0.66 | 0.80 | 0.84 | 0.85 | 0.85 | 0.85 | 0.85 | 0.85 | 0.85 | 0.85 | 0.85 | 0.85 | 0.85 | 0.85 |
| 553.681 | 0.60 | 0.67 | 0.81 | 0.84 | 0.84 | 0.85 | 0.85 | 0.85 | 0.85 | 0.85 | 0.85 | 0.85 | 0.85 | 0.85 | 0.85 |
| 634.639 | 0.60 | 0.66 | 0.80 | 0.84 | 0.85 | 0.85 | 0.85 | 0.85 | 0.85 | 0.85 | 0.85 | 0.85 | 0.85 | 0.85 | 0.85 |
| 716.528 | 0.60 | 0.67 | 0.81 | 0.84 | 0.84 | 0.85 | 0.85 | 0.85 | 0.85 | 0.85 | 0.85 | 0.85 | 0.85 | 0.85 | 0.85 |
| 833.556 | 0.60 | 0.66 | 0.80 | 0.84 | 0.85 | 0.85 | 0.85 | 0.85 | 0.85 | 0.85 | 0.85 | 0.85 | 0.85 | 0.85 | 0.85 |
| 941.111 | 0.60 | 0.67 | 0.81 | 0.84 | 0.84 | 0.85 | 0.85 | 0.85 | 0.85 | 0.85 | 0.85 | 0.85 | 0.85 | 0.85 | 0.85 |
| 1011.633 | 0.60 | 0.66 | 0.80 | 0.84 | 0.85 | 0.85 | 0.85 | 0.85 | 0.85 | 0.85 | 0.85 | 0.85 | 0.85 | 0.85 | 0.85 |
| 1142.167 | 0.60 | 0.67 | 0.81 | 0.84 | 0.84 | 0.85 | 0.85 | 0.85 | 0.85 | 0.85 | 0.85 | 0.85 | 0.85 | 0.85 | 0.85 |
| 1227.755 | 0.60 | 0.66 | 0.80 | 0.84 | 0.85 | 0.85 | 0.85 | 0.85 | 0.85 | 0.85 | 0.85 | 0.85 | 0.85 | 0.85 | 0.85 |
| 1386.175 | 0.60 | 0.67 | 0.81 | 0.84 | 0.84 | 0.85 | 0.85 | 0.85 | 0.85 | 0.85 | 0.85 | 0.85 | 0.85 | 0.85 | 0.85 |
| 1569.181 | 0.60 | 0.66 | 0.80 | 0.84 | 0.85 | 0.85 | 0.85 | 0.85 | 0.85 | 0.85 | 0.85 | 0.85 | 0.85 | 0.85 | 0.85 |
| 1771.656 | 0.60 | 0.67 | 0.81 | 0.84 | 0.84 | 0.85 | 0.85 | 0.85 | 0.85 | 0.85 | 0.85 | 0.85 | 0.85 | 0.85 | 0.85 |





General data

| | | GST | GFL | GKR | GKS | GSS |
|------------------------------|-----------------|--|-----------------------------|-----------------|-----------------|---|
| Housing | Version | Cuboid | | | | |
| | Material | Aluminium/Cast iron | | | | |
| Solid shaft | Version | With keyway to DIN 6885 | | | | |
| | Tolerance | k6 (d ≤ 50 mm) m6 (d > 50 mm) | | | | |
| | Material | Tempered steel C45/42CrMo4 | | | | |
| Hollow shaft | Version | – | H: With keyway S: Smooth | | | |
| | Tolerance | – | Bore H7 | | | |
| | Material | – | Tempered steel C45 | | | |
| Toothed parts | Version | Optimised tooth flanks and profile geometry Ground tooth flanks | | | | |
| | Material | Case-hardened steel | | | | |
| Shaft-hub connection | | 1st stage/prestage/helical (bevel) gearbox: friction-type connection Output stage (= 2nd, 3rd or 4th stage): friction-type or positive-fit connection | | | | |
| Shaft sealing rings | Version | With dust protection lip | | | | |
| | Material | NB/FP | | | | |
| Bearings | Version | Ball bearing/tapered-roller bearing depending on size and version | | | | |
| Lubricants | Version | In accordance with DIN 51502 | | | | |
| | Fill volumes | Depends on the mounting position ⇨ Operating Instructions | | | | |
| Mechanical efficiency | At rated torque | 0.95 ≤ η ≤ 0.97 | 0.95 ≤ η ≤ 0.97 | 0.95 ≤ η ≤ 0.96 | 0.92 ≤ η ≤ 0.95 | 0.75 ≤ η ≤ 0.90 ▶ Dependent on transmission ratio ▶ at n ₁ = 1400 rpm ▶ Housing at operating temperature and teeth run in |
| | | Does not exceed the emission values specified in VDI Guideline 2159 | | | | |

Drive dimensioning

Gearbox versions

Basic versions

| Gearbox type | Gearbox size | No. of stages | Input design | Output design | | | | | | | | | Possible combinations Housing with flange | Oil control plug | Ventilation units | Lubricants | | Colour | | | | | |
|--------------|--------------|---------------|--------------|---|--------------|---|--|---|--------------------------------|-----------------------------|----------------|-----------------------------|---|------------------|----------------------------|----------------------|----------------------|------------------------|-------------|------------------------------|---|---|---|
| | | | | Shafts [mm] | | | Housing | | | | Flange [mm] | | | | | Synthetic CLP HC 320 | Synthetic CLP PG 460 | Paint RAL 9005 (black) | Grey primer | | | | |
| | | | | Solid shaft | Hollow shaft | Hollow shaft with shrink disc | Foot mounting with centring and pitch circle | Foot mounting without centring | With centring and pitch circle | With pitch circle | Without flange | With flange (through holes) | | | | | | | | With flange (threaded holes) | | | |
| Product key | | | | V | H | S | A | B | C | D | R | K | L | | | | | | | | | | |
| GST | 04 | 1 | A S | 16x32 | | | | ● | ● | | | ● | 120/140 160 | | AR AL BR CR CK | ● | ● | ● | | | | | |
| | | | | 20x40 | | | ● | ● | ● | | ● | 120/140 160 | 120/140 | | | | | | | | | | |
| | 20x40 | | | | | ● | ● | | ● | 120/140 160/200 | | | | | | | | | | | | | |
| | 25x50 | | | | ● | ● | ● | | ● | 120/140 160/200 | 120/140 160 | | | | | | | | | | | | |
| | 25x50 | | | | | ● | ● | ● | ● | 160/200 | | | | | | | | | | | | | |
| | 30x60 | | | | ● | ● | ● | | ● | 160/200 | 160/200 | | | | | | | | | | | | |
| | 30x60 | | | | | ● | ● | ● | ● | 200/250 | | | | | | | | | | | | | |
| | 40x80 | | | | ● | ● | ● | | ● | 200/250 | 200/250 | | | | | | | | | | | | |
| | 40x80 | | | | | ● | ● | ● | ● | 250/300 | | | | | | | | | | | | | |
| | 50x100 | | | | ● | ● | ● | | ● | 250/300 | 250/300 | | | | | | | | | | | | |
| | 60x120 | | | | ● | ● | ● | | ● | 300/350 | 300/350 | | | | | | | | | | | | |
| | 80x160 | | | | ● | ● | ● | | ● | 350/400 | 350/400 | | | | | | | | | | | | |
| | GFL | 04 | | 2 | A S | 25x50 | 25/30 | 25/30 | | | | | | ● | | | | | 160 | AR BR CR CK DR | ● | ● | ● |
| | | | | | | 30x60 | 30/35 | 35 | | | | | ● | 200 | | | | | | | | | |
| 40x80 | | 40/45 | 40 | Feet in position 3 or 4 Centring and pitch circle in position 6 | | Feet in position 3 or 4 Pitch circle in position 6 | Centring and pitch circle in position 6 | Pitch circle in position 6 | ● | 200 only with H+S 250 | | | | | | | | | | | | | |
| 50x100 | | 50/55 | 50 | | | | | | ● | 250/300 | | | | | | | | | | | | | |
| 60x120 | | 60/70 | 65 | | | | | | ● | 350 | | | | | | | | | | | | | |
| 80x160 | | 70/80 | 80 | | | | | | ● | 400/450 | | | | | | | | | | | | | |
| 100x200 | | 100 | 100 | | | | | | ● | 450 | | | | | | | | | | | | | |
| GKR | 04 | 2 | A S | 20x40 | 20/25 | 20 | Feet in position 4+6 Centring and pitch circle in position 3+5 | Feet in position 4+6 Pitch circle in position 3+5 | | | | ● | 120/160 | AR BR AK | ● | ● | ● | | | | | | |
| | | | | 30x60 | 30/35 | 30/35 | | | ● | 160/200 | | | | | | | | | | | | | |
| | | | | 35x70 | 40/45 | 40 | | | ● | 200/250 | | | | | | | | | | | | | |
| GKS | 04 | 3 | A S | 25x50 | 25/30 | 25/30 | Feet in position 2+4+6 Centring and pitch circle in position 3+5 | Feet in position 2+4+6 Pitch circle in position 3+5 | | | | ● | 160 | AR BR AK | ● | ● | ● | | | | | | |
| | | | | 30x60 | 30/35 | 35 | | | ● | 200 | | | | | | | | | | | | | |
| | 40x80 | 40/45 | | 40 | ● | 200 only with H+S 250 | | | | | | | | | | | | | | | | | |
| | 50x100 | 50/55 | | 50 | ● | 250/300 | | | | | | | | | | | | | | | | | |
| | 60x120 | 60/70 | | 65 | ● | 350 | | | | | | | | | | | | | | | | | |
| | 80x160 | 70/80 | | 80 | ● | 400/450 | | | | | | | | | | | | | | | | | |
| GSS | 04 | 2 | A S | 25x50 | 25/30 | 25/30 | Feet in position 2+4+6 Centring and pitch circle in position 3+5 | Feet in position 2+4+6 Pitch circle in position 3+5 | | | | ● | 160 | AR BR AK | ● | ● | ● | | | | | | |
| | | | | 30x60 | 30/35 | 35 | | | ● | 200 | | | | | | | | | | | | | |
| | 40x80 | 40/45 | | 40 | ● | 200 only with H+S 250 | | | | | | | | | | | | | | | | | |
| | 50x100 | 50/55 | | 50 | ● | 250/300 | | | | | | | | | | | | | | | | | |



Options

| Gearbox type | Gearbox size | No. of stages | Input design | Shaft | | | Built-on accessories | | | | | | | Lubricants | Colour | | | | |
|--------------------|--------------|---------------|--------------|---------------------|--------------------------|-------------------------------|----------------------|------------------------------|------------------------------|------------------------------|-------------------|-----------------|-------------------|------------|--------|---|---|-----|-----|
| | | | | 2nd solid shaft end | Reinforced shaft bearing | Shaft sealing ring FP (Viton) | Rubber buffer set | Torque plate on pitch circle | Torque plate on housing foot | Hoseproof hollow shaft cover | Shrink disc cover | Oil-sight glass | Ventilation units | | | Reservoir (ventilation) for mounting position C | | | |
| Product key | | | | V | | | | | | | | | | | | | | | |
| GST | 04 | 1 | A S | | ● | | | | | | | | | | | | | | |
| | | 2 | | | | | | | | | | | | | | | | | |
| | 05 | 1 | | | ● | | | | | | | | | | | | | | |
| | | 2/3 | | | | | | | | | | | | | | | | | |
| | 06 | 1 | | | ● | | | | | | | | | | | | | | |
| | | 2/3 | | | | | | | | | | | | | | | | | |
| | 07 | 1 | | | ● | | | | | | | | | | | | | | |
| | | 2/3 | | | | | | | | | | | | | | | | | |
| | 09 | 1 | | | ● | | | | | | | | | | | | | | |
| | 2/3 | | | | | | | | | | | | | | | | | | |
| 11 | 2/3 | 1) | ●/- | | | | | | | | | | | | | | | | |
| 14 | 2/3 | 1) | ●/- | | | | | | | | | | | | | | | | |
| GFL | 04 | 2 | A S | | | ● | ● | | | | | | | | | | | | |
| | | 2/3 | | | 2) | | | | | | | | | | | | ● | ●/- | |
| | 06 | 2/3 | | | ● | | | | | | | | | | | | ● | ●/- | |
| | 07 | 2/3 | | | ● | | | | | | | | | | | | ● | ●/- | |
| | 09 | 2/3 | | | ● | | | | | | | | | | | | ● | ●/- | |
| | 14 | 2/3 | | | ● | | | | | | | | | | | | ● | ●/- | |
| GKR | 04 | 2 | A S | ● | ● | ● | ● | ● | ● | | | | | | | | | | |
| | 05 | 2 | | | | | | | | | | | | | | | ● | ● | ● |
| | 06 | 2 | | | | | | | | | | | | | | | ● | ● | ● |
| GKS | 04 | 3 | A S | ● | 2) | ● | | | | | | | | | | | | | |
| | 05 | 3/4 | | | | | | | | | | | | | | | ● | ● | ●/- |
| | 06 | 3/4 | | | | | | | | | | | | | | | ● | ● | ●/- |
| | 07 | 3/4 | | | | | | | | | | | | | | | ● | ● | ●/- |
| | 09 | 3/4 | | | | | | | | | | | | | | | ● | ● | ●/- |
| | 14 | 3/4 | | | | | | | | | | | | | | | ● | ● | ●/- |
| GSS | 04 | 2 | A S | ● | 2) | ● | | | | | | | | | | ● 3) | | | |
| | 05 | 2/3 | | | | | | | | | | | | | | | ● | ● | ● |
| | 06 | 2/3 | | | | | | | | | | | | | | | ● | ● | ● |
| | 07 | 2/3 | | | | | | | | | | | | | | | ● | ● | ● |

1) Standard bearing
 2) On request
 3) Torque derating required: $M_2 \text{ perm.} = M_2 * 0.8$

Gearboxes with ventilation

Gearbox size 04 and gearbox type GKR

No ventilation is required for these gearboxes.

Gearbox size 05 to 07

Special measures are not usually required when using these gearbox sizes.

In borderline cases, e.g. at drive speeds >2000 rpm, we recommend that breather elements are used. We can supply these elements if required.

Gearbox size 09 to 14

Ventilation units are always supplied with these gearbox sizes.

Special precautions for mounting position C (motor on top)

We recommend that an oil compensation reservoir is always used with gearbox sizes 09 to 14 in this mounting position. This reservoir can be purchased as an option. See technical data for illustrations and dimensions (Chapter 3...7).

It is not required at high ratios or low input speeds. Please contact Lenze if this affects your application.







Lubricants

Lenze gearboxes and geared motors are supplied ready for operation and filled with a lubricant appropriate for the drive and design in question. You must indicate the mounting position and design on your order in order to ensure that the correct amount of lubricant is supplied.

The lubricants that have been approved for Lenze drives are listed in the lubricants table.

Lubricant table

| | Ambient temperature | | | DIN 51517-3: CLP ISO 12925-1: CKC/CKD | | GST, GFL, GKS, GKR | GSS |
|---|---------------------|-----|--------|---|--------|--------------------|-------------------------|
| | -50 | 0°C | +50 | | | | |
|  | -20 | | +40 | | CLP PG | VG 460 | Klübersynth GH 6-460 1) |
|  | -20 | | +40 |  | CLP HC | VG 220 | Klüberoil 4 UH1-220 N |
|  | -25 | | +50 2) | | CLP HC | VG 320 | Renolin Unisyn CLP 320 |

CLP PG = Polyglycol oil

CLP HC = Synthetic hydrocarbons/poly-alpha-olefin oil

- 1) = Polyglycol oils cannot be mixed with other types of oil.
- 2) = At ambient temperatures above 40°C, please contact Lenze to discuss the exact operating conditions.



=Oils approved for use in the food processing industry (approval to USDA-H1)

General data

| | Synchronous servo motors | Asynchronous servo motors |
|--|--|--|
| Enclosure | IP 54/IP 65 (naturally ventilated only) | |
| Thermal class (VDE 0530) | Utilisation in accordance with thermal class F Insulation system (enamel-insulated wire) in accordance with thermal class H | |
| UL conformity | Optional design with UR approval | |
| Insulation resistance | Maximum voltage amplitude $\hat{U} = 1.5 \text{ kV}$ Maximum rate of voltage rise $du/dt = 5 \text{ kV}/\mu\text{s}$ | |
| Vibration level | N | N Frame size 056 and 071 R above size 80 |
| Smooth running, axial running, concentricity (DIN 42955) | N | N size 056 and 071 R size 80 and above |
| Temperature monitoring (no full protection) | Continuous thermal sensor (KTY 83-110) | |
| Connection | 1 connector for each of the following: motor and brake, resolver and thermal sensor, blower (size 071 and above) or terminal box | |
| Temperature range | -20 to + 40°C with no power reduction (without brake, non-ventilated) -10 to + 40°C with no power reduction (with brake) -15 to + 40°C with no power reduction (forced ventilated) | |
| Surface temperature | Naturally ventilated motors up to 140°C Forced ventilated motors up to 110°C | |
| Site altitude | Up to 1000 m amsl with no power reduction, max. 4000 m | |
| Demagnetising limit | > 4 · I _r with natural ventilation > 2.9 · M _r with forced ventilation | No demagnetisation possible |
| Maximum torque | > 4 · M _r with natural ventilation > 2.9 · M _r with forced ventilation | > 5 · M _r |
| Rated speed | 3000 rpm | 1635-4160 rpm |
| Phase angle sensor | Resolver/SinCos encoder | Resolver/Incremental encoder/SinCos absolute value encoder |
| Bearing | Deep-groove ball bearing with high-temperature resistant grease, 2 sealing discs/cover discs | |
| | Locating bearing at drive end | |
| Brake | With or without permanent magnet holding brake at drive end | |
| Fan | Axial blower possible on size 071 and above | |
| Colour | Black RAL 9005 | |
| Vibration | ≤ 2 g without inducing resonance (motors without fans) | |



Accessories

| Product key | | Cooling | Enclosure | | Brake | | | Encoder | | | Separate connection | | |
|--------------|-------------------|---------|-------------------|------|-------|---------|-------|----------|--------|-------------|---|----------|----------|
| Design Drive | Motor frame size | | IP54 | IP65 | None | 24 V DC | 205 V | Resolver | SinCos | Incremental | Power - Encoder Brake | Fan | |
| Synchronous | S | 056C23 | natur. ventilated | ● | ● | | | | | | Connector - Connector Terminal box - Connector Terminal box -Terminal box ¹⁾ | | |
| | | 056C33 | natur. ventilated | ● | ● | | | | | | | | |
| | | 071C03 | natur. ventilated | ● | ● | | | | | | | | |
| | | | forced ventilated | ● | | ● | ● | ● | ● | ● | | | Connect. |
| | | 071C13 | natur. ventilated | ● | | | | | | | | | |
| | | | forced ventilated | ● | | | | | | | | | Connect. |
| 071C33 | natur. ventilated | ● | | | | | | | | | | | |
| | forced ventilated | ● | | | | | | | | Connect. | | | |
| Asynchronous | A | 056C22 | natur. ventilated | ● | | | | | | | Connector - Connector Terminal box -Connector Terminal box -Terminal box ¹⁾ | | |
| | | 071C22 | natur. ventilated | ● | | | | | | | | | |
| | | | forced ventilated | ● | | | | | | | | Connect. | |
| | | 080C22 | natur. ventilated | ● | | | | | | | | | |
| | | | forced ventilated | ● | | ● | ● | ● | ● | ● | | ● | Connect. |
| | | 090C22 | natur. ventilated | ● | | | | | | | | | |
| | | | forced ventilated | ● | | | | | | | | | Connect. |
| | | 100C22 | natur. ventilated | ● | | | | | | | | | |
| | | | forced ventilated | ● | | | | | | | | | Connect. |
| | | 112C22 | natur. ventilated | ● | | | | | | | | | |
| | | | forced ventilated | ● | | | | | | | | | Connect. |

1) In this design, the fan connection is located in the terminal box.

General data

| Area | Values |
|-----------------------------------|--|
| Vibration resistance | Germanischer Lloyd, general conditions |
| Humidity | Humidity class F, no moisture condensation (average relative humidity 85%) |
| Permissible temperature ranges | During device transport: -25°C ... +70°C During device storage: -25°C ... +55°C During device operation: 0°C ... +40°C +40°C ... +50°C with power reduction of 2.5 % per K |
| Permissible Installation height h | Up to 1000 m amsl without power reduction 1000 m amsl ... 4000 m amsl 5% per 1000 m |
| Pollution degree | VDE 0110 Part 2. pollution degree 2 |
| Noise emission | Requirements to EN 50081-1. EN 50081-2. IEC 22G-WG4 (Cv) 21 Limit class A to EN 55011 (industrial premises) with mains filter Limit class B to EN 55022 (residential area) with mains filter and control cabinet installation |
| Noise immunity | Observance of limit values with mains filter. Requirements to EN 50082-2. IEC 22G-WG4 (Cv) 21. Requirements Standard Severity ESD EN61000-4-2 3. i.e. 8 kV for air discharge and 6 kV for contact discharge RF interference (housing) EN61000-4-3 3. i.e. 10 V/m; 27 to 1000 MHz Burst EN61000-4-4 3/4. i.e. 2 kV/5 kHz Surge (surge voltage on mains cable) IEC 1000-4-5 3. i.e. 1.2/50 ms 1 kV phase-phase, 2 kV phase-PE |
| Insulation resistance | Overvoltage category III to VDE 0110 |
| Packaging to DIN 4180 | ► 9321 to 9326: Dustproof package ► 9327 to 9332: Shipping package |
| Enclosure IP20 | IP41 on heatsink side with push-through technique thermal separation NEMA 1: Protection against accidental contact |
| Approvals | CE: Low-Voltage Directive UL 508: Industrial Control Equipment UL 508C: Power Conversion Equipment |



Integrated technologies

An essential part of an intelligent drive solution is the integrated technology function. 9300 range servo inverters feature four software variants in drives with identical hardware:

- ▶ 9300 servo inverter
- ▶ 9300 servo register controller
- ▶ 9300 servo cam profiler
- ▶ 9300 servo position controller

All 4 variants feature a standard operator interface, so that each technology function can be configured quickly and easily. Features include:

9300 servo inverter

The basic functions most commonly required in a servo drive are all implemented in this servo inverter. The electronic gearbox is a very important technology function in this device. As an alternative to a mechanical line shaft, multiple drives can be run in completely synchronous operation via master frequency coupling. In the process, adjustable gearbox factors can be used to achieve synchronous ratios with minimum fuss and maximum flexibility. Feedback systems such as resolvers or SinCos encoders are used to ensure utmost precision.

9300 servo register controller

Material lengths are processed in many machines. Overprinting, cuts, perforations, embossing and cemented joints need to be accurately positioned in accordance with the given print image on the web. However, due to fluctuations caused by industrial processes (material properties, production parameters) the position of this print image can drift. In addition to the basic requirement for an "electric shaft", there is also a demand for a higher-level alignment of the rotational movement on the print image with high register accuracy. The register control which is already integrated in the servo inverter continuously realigns the angular settings of feeder rollers, printing cylinders, cutting rollers and other processing stations with the print image. As a result, over-prints, cuts, perforations, embossing, cemented joints, etc. are positioned exactly where they are meant to be. Even without a higher-level controller and overlay gearboxes, drift becomes a thing of the past.

9300 servo cam profiler

Mechanical cams are common in production machines. Changing or varying a product incurs long and laborious set-up times. Up to 8 different cams can be stored on the 9300 cam profiler, meaning that cams can be changed over during production virtually instantaneously. For the numerous possible applications of the servo cam profiler, a range of additional functions has been integrated, including for example an electronic camshaft controller and mark-controlled cam start. A function for constant welding time at variable cycle rates has been implemented specifically for the opening and closing of welding bars.

9300 servo position controller

Positioning made easy. A complete position control system with sequence control is integrated in the 9300 servo position controller. An easy commissioning process with only a few values to input is a much more modern solution compared to an external positioning control system, which uses a more complicated programming language. The signals from limit switches or other drives can also be evaluated at the same time. If the reaching of the starting position is heavily subject to tolerances, the target position can be located reliably by means of automatic material correction.

Applications

On 9300 series drives, the range of available functions depends on the software loaded. Differentiations are made on the basis of:

| | Printing machines, textiles machines, packaging machines | Printing machines, paper machines, packaging, film and textiles machines | Packaging machines, production machines, printing machines | Packaging machines, wood working, storage techniques |
|---|--|--|--|--|
| Requirement | High dynamics and extensive applications | Insetting, printing, cutting, embossing, perforating, materials requirements | Profiling, filling a variety of goods (cam change-over) | Precision positioning and extensive applications |
| Single-phase | | | | |
| Three-phase | 9321-9332 Servo inverter | 9321-9332 Servo register controller | 9321-9332 Servo cam profiler | 9321-9332 Servo position controller |
| Compact design | ● | ● | ● | ● |
| Short-circuit-proof | ● | ● | ● | ● |
| Vector Control | ● | ● | ● | ● |
| Bipolar setpoint | ● | ● | ● | ● |
| Freely assignable inputs/outputs | ● | ● | ● | ● |
| Alarm output | ● | ● | ● | ● |
| DC injection braking | ● | ● | ● | ● |
| Slip compensation | ● | ● | ● | ● |
| Mains failure monitoring | ● | ● | ● | ● |
| Master frequency input | ● | ● | ● | ● |
| Sensorless speed control | ● | | | ● |
| Relative/Absolute positioning | | | | ● |
| Referencing | ● | | ● | ● |
| Point-to-point positioning | ● | | | |
| Register control | | ● | | |
| Teach-in function for significant path mark | | ● | | |
| Time or distance-based generation of correcting variables | | ● | | |
| Eight cams can be selected | | | ● | |
| Cam group, position switch points | | | ● | ● |



Features

Compact servo inverter and servo position controller for three-phase mains connection:

| | Servo inverter EVS93XX-ES 0.37-75.0 kW | Servo position controller EVS93XX-EP 0.37-75.0 kW |
|--|--|--|
| Slimline individual axis | ● | ● |
| Plug-in heatsink | ● | ● |
| Power connections on the top | ● | ● |
| Underside motor connections | ● | ● |
| Direct connection of resolver and encoder, TTL or SinCos | ● | ● |
| Integrable phase controller | ● | ● |
| Motor phase monitoring for asynchronous motor | ● | ● |
| Mains failure monitoring | ● | ● |
| Field-based regulation | ● | ● |
| Sensorless speed control (SSC technology) | ● | ● |
| Digital master frequency synchronous system | ● | ● |
| Integrated master frequency input and output | ● | ● |
| User configuration | ● | ● |
| Modular function blocks | ● | ● |
| Process controller and arithmetic blocks | ● | ● |
| Integrated system bus interface (CAN) | ● | ● |
| UL approval, File No 132659 (listed) | ● | ● |
| Point-to-point positioning with/without velocity changeover | | ● |
| 32 program blocks (PBs) and variable tables (VTs) make programming easy | | ● |
| Relative/Absolute positioning | | ● |
| Direct evaluation of a SinCos absolute value encoder | ● | ● |
| Switch outputs, poll inputs | | ● |
| Set reference, actual position | | ● |
| Trigger program branching as a function of digital input | | ● |
| Trigger program branching as a function of a workpiece counter | | ● |
| Touch probe positioning | | ● |
| Manual control | | ● |
| Position switch points | | ● |
| Position switch points, can be dynamised | | ● |
| sin ² ramps | | ● |
| Application of new travel profile parameters during active positioning | | ● |
| Override (speed and acceleration) | | ● |
| Manual teach-in | | ● |
| Arithmetic linking of target positions | | ● |
| Manual control with intermediate stop | | ● |
| PFB position actual value storage via touch probe | | ● |
| Freely assignable input variables for analog, binary and BCD values | | ● |
| Standby mode, change-over of position control to angular synchronism | | ● |
| CAN bus synchronisation of position controller | | ● |
| Various function blocks for long-value arithmetic and conversion between types of signal | | ● |
| Plug-in accessories | | |
| 9371BB operating module for parameter setting and transfer | ● | ● |
| Serial RS232/485 module on wires or optical fibres 2102IB | ● | ● |
| InterBus-S module 2111IB | ● | ● |
| PROFIBUS module 2131IB | ● | ● |

Features

Compact servo register controller and servo cam profiler for three-phase mains connection:

| | Servo register controller EVS93XX-ER 0.37-75.0 kW | Servo cam profiler EVS93XX-EK 0.37-75.0 kW |
|--|---|--|
| Slimline individual axis | ● | ● |
| Plug-in heatsink | ● | ● |
| Power connections on the top | ● | ● |
| Underside motor connections | ● | ● |
| Direct connection of resolver and encoder, TTL or SinCos | ● | ● |
| Integrable phase controller | ● | ● |
| Motor phase monitoring for asynchronous motor | ● | ● |
| Mains failure monitoring | ● | ● |
| Field-based regulation | ● | ● |
| Sensorless speed control (SSC technology) | ● | ● |
| Digital master frequency synchronous system | ● | ● |
| Integrated master frequency input and output | ● | ● |
| User configuration | ● | ● |
| Modular function blocks | ● | ● |
| Process controller and arithmetic blocks | ● | ● |
| Integrated system bus interface (CAN) | ● | ● |
| UL approval, File No 132659 (listed) | ● | ● |
| Direct evaluation of a SinCos absolute value encoder | ● | ● |
| Register correction during active operation | ● | |
| Integrated follow-up controller for gearbox factor tracking | ● | |
| Teach-in function for defining significant path mark | ● | |
| Configurable window for mark detection | ● | |
| Monitoring of mark sensors | ● | |
| Dead time compensation for sensors | ● | |
| Adaptable control mode | ● | |
| Entry of product data in mm or inches (based on time and distance) | ● | |
| Variable limiting of correcting variable | ● | |
| Eight cams can be stored on device | | ● |
| Integrated camshaft controller | | ● |
| Engagement/Disengagement | | ● |
| Extension/Compression of cam | | ● |
| Offset in x and y direction | | ● |
| Virtual master | | ● |
| Welding bar control | | ● |
| Cam started via external signal | | ● |
| Plug-in accessories | | |
| 9371BB operating module for parameter setting and transfer | ● | ● |
| Serial RS232/485 module on wires or optical fibres 2102IB | ● | ● |
| InterBus-S module 2111IB | ● | ● |
| PROFIBUS module 2131IB | ● | ● |





Technical data

| | |
|--|------|
| Permissible radial and axial forces - | |
| Output _____ | 3-2 |
| Output backlash _____ | 3-4 |
| Ratios _____ | 3-5 |
| Ventilation _____ | 3-16 |
| Position of ventilation, sealing elements and oil control _____ | 3-16 |
| Reservoir for mounting position C _____ | 3-19 |
| Weights _____ | 3-20 |

Selection tables

| | |
|--------------------------------------|------|
| Synchronous geared servo motors ____ | 3-23 |
| Naturally ventilated _____ | 3-23 |
| Forced ventilated _____ | 3-39 |
| Asynchronous geared servo motors _ | 3-46 |
| Naturally ventilated _____ | 3-46 |
| Forced ventilated _____ | 3-71 |

Dimensions

| | |
|--|-------|
| Geared servo motors with resolver ____ | 3-99 |
| 1-stage _____ | 3-99 |
| 2-stage _____ | 3-102 |
| 3-stage _____ | 3-106 |
| Further dimensions _____ | 3-110 |
| Output design VAR _____ | 3-110 |
| Output design VAL _____ | 3-111 |

Technical data - Helical gearboxes

Permissible radial and axial forces - Output

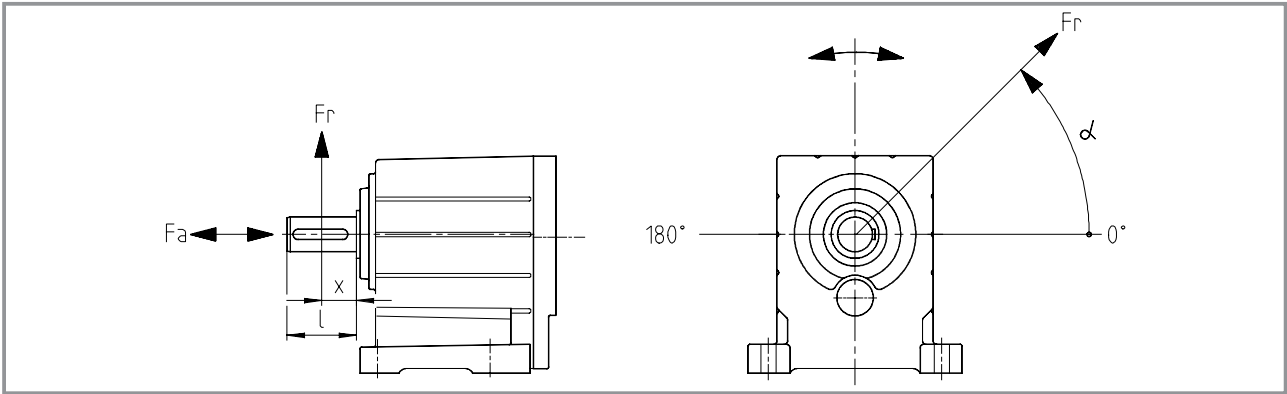
Permissible radial force

$$F_{rperm} = \min (f_w \cdot f_\alpha \cdot F_{rTab}; f_w \cdot F_{rmax})$$

Permissible axial force

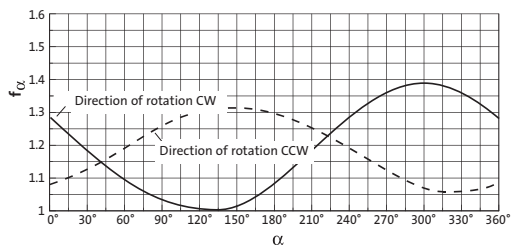
$$F_{aperm} = F_{aTab} \quad \text{at } F_r = 0$$

Contact Lenze if F_r and $F_a \neq 0$



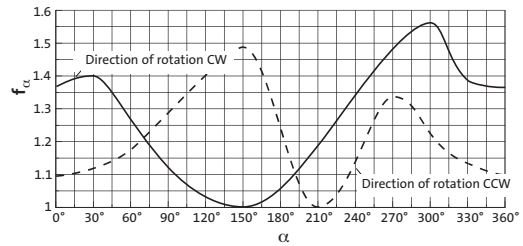
f_α Effective direction factor f_α at output shaft

1-stage helical gearbox GST □□-1



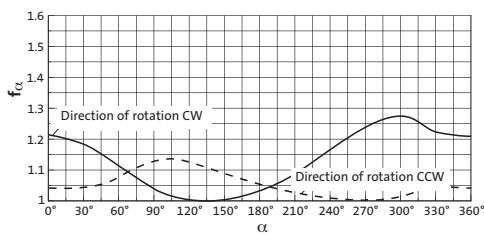
f_α Effective direction factor f_α at output shaft

2 and 3-stage helical gearbox GST 04...09 - 2. 3

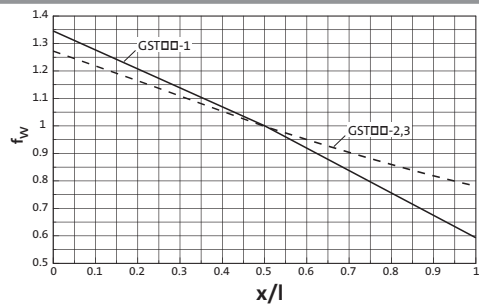


f_α Effective direction factor f_α at output shaft

2 and 3-stage helical gearbox GST 11...14 - 2. 3



f_w Additional load factor f_w at output shaft



Technical data - Helical gearboxes

Permissible radial and axial forces - Output



GST□□-1

| V00 | | Application of force F_r : centre of shaft journal ($x = l/2$) F_{aTab} only valid for $F_r = 0$ | | | | | | | | | |
|----------------|-------------------|---|-------------------|-------------------|-------------------|-------------------|-------------------|-------------------|-------------------|-------------------|--|
| n_2 [rpm] | GST 04 | | GST 05 | | GST 06 | | GST 07 | | GST 09 | | |
| | F_{rTab} [N] | F_{aTab} [N] | F_{rTab} [N] | F_{aTab} [N] | F_{rTab} [N] | F_{aTab} [N] | F_{rTab} [N] | F_{aTab} [N] | F_{rTab} [N] | F_{aTab} [N] | |
| 1000 | 440 | 1000 | 550 | 1400 | 800 | 1500 | 1200 | 2000 | 2500 | 4300 | |
| 600 | 600 | 1300 | 750 | 2000 | 800 | 2000 | 1300 | 2700 | 2500 | 5700 | |
| 400 | 850 | 1400 | 1400 | 2000 | 1100 | 2500 | 1900 | 3300 | 3500 | 6800 | |
| 200 | 1050 | 1400 | 2000 | 2000 | 2200 | 2500 | 3000 | 3700 | 6200 | 7000 | |
| 125 | 1050 | 1400 | 2300 | 2000 | 2900 | 2500 | 3900 | 3700 | 7900 | 7000 | |
| 80 | 1050 | 1400 | 2300 | 2000 | 3500 | 2500 | 4700 | 3700 | 9000 | 7000 | |
| ≤ 50 | 1050 | 1400 | 2300 | 2000 | 3500 | 2500 | 5300 | 3700 | 9500 | 7000 | |
| $F_{r max.}$ | 1050 | – | 2300 | – | 3500 | – | 5300 | – | 9500 | – | |

GST□□-2. 3 with standard bearing

| V00 | | Application of force F_r : centre of shaft journal ($x = l/2$) F_{aTab} only valid for $F_r = 0$ | | | | | | | | | | | | | |
|----------------|-------------------|---|-------------------|-------------------|-------------------|-------------------|-------------------|-------------------|-------------------|-------------------|-------------------|-------------------|-------------------|-------------------|--|
| n_2 [rpm] | GST 04 | | GST 05 | | GST 06 | | GST 07 | | GST 09 | | GST 11 | | GST 14 | | |
| | F_{rTab} [N] | F_{aTab} [N] | F_{rTab} [N] | F_{aTab} [N] | F_{rTab} [N] | F_{aTab} [N] | F_{rTab} [N] | F_{aTab} [N] | F_{rTab} [N] | F_{aTab} [N] | F_{rTab} [N] | F_{aTab} [N] | F_{rTab} [N] | F_{aTab} [N] | |
| 400 | 1250 | 1100 | 1950 | 2000 | 2350 | 850 | 3400 | 1900 | 6800 | 2300 | 17000 | 9500 | 24000 | 15000 | |
| 250 | 1450 | 1300 | 2200 | 2300 | 2600 | 900 | 3800 | 2200 | 7600 | 2800 | 19000 | 10000 | 27000 | 16000 | |
| 160 | 1700 | 1650 | 2600 | 2650 | 3100 | 1250 | 4500 | 2900 | 9400 | 4000 | 21000 | 11000 | 31000 | 18000 | |
| 100 | 2100 | 2000 | 3000 | 3100 | 3600 | 1800 | 5400 | 3900 | 11500 | 5600 | 21000 | 14000 | 36000 | 20000 | |
| 63 | 2500 | 2000 | 3500 | 3600 | 4300 | 2600 | 6400 | 5300 | 11500 | 8900 | 21000 | 16000 | 39000 | 20000 | |
| 40 | 2650 | 2000 | 3800 | 3600 | 4350 | 3600 | 7600 | 7000 | 11500 | 11000 | 21000 | 16000 | 40000 | 20000 | |
| 25 | 2650 | 2000 | 3900 | 3600 | 4350 | 4800 | 9100 | 7000 | 11500 | 12000 | 21000 | 16000 | 40000 | 20000 | |
| ≤ 16 | 2650 | 2000 | 3900 | 3600 | 4350 | 4800 | 9500 | 7000 | 11500 | 12000 | 21000 | 16000 | 40000 | 20000 | |
| $F_{r max.}$ | 2650 | – | 3900 | – | 4350 | – | 9500 | – | 11500 | – | 21000 | – | 40000 | – | |

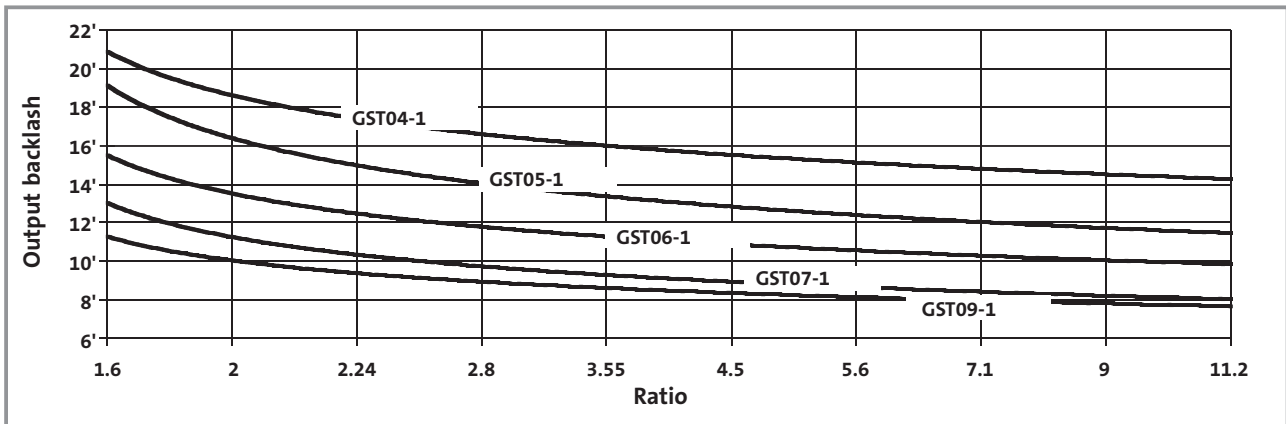
GST□□-2. 3 with reinforced bearing

| V00 | | Application of force F_r : centre of shaft journal ($x = l/2$) F_{aTab} only valid for $F_r = 0$ | | | | | | | | | | | | |
|----------------|-------------------|---|-------------------|-------------------|-------------------|-------------------|-------------------|-------------------|-------------------|-------------------|---|-------------------|-------------------|-------------------|
| n_2 [rpm] | GST 04 | | GST 05 | | GST 06 | | GST 07 | | GST 09 | | GST 11 | | GST 14 | |
| | F_{rTab} [N] | F_{aTab} [N] | F_{rTab} [N] | F_{aTab} [N] | F_{rTab} [N] | F_{aTab} [N] | F_{rTab} [N] | F_{aTab} [N] | F_{rTab} [N] | F_{aTab} [N] | F_{rTab} [N] | F_{aTab} [N] | F_{rTab} [N] | F_{aTab} [N] |
| 400 | 2850 | 1700 | 4900 | 3600 | 6300 | 3500 | 8500 | 5500 | 16500 | 8000 | The standard bearing is a reinforced bearing. | | | |
| 250 | 3150 | 1900 | 5400 | 3900 | 7000 | 3600 | 9500 | 6100 | 17000 | 9000 | | | | |
| 160 | 3550 | 2200 | 5400 | 4300 | 7700 | 4200 | 10500 | 7100 | 17000 | 10500 | | | | |
| 100 | 3750 | 2500 | 5400 | 4500 | 7700 | 4900 | 12500 | 8300 | 17000 | 12500 | | | | |
| 63 | 3750 | 2500 | 5400 | 4500 | 7700 | 5700 | 13000 | 9000 | 17000 | 14000 | | | | |
| 40 | 3750 | 2500 | 5400 | 4500 | 7700 | 5700 | 13000 | 9000 | 17000 | 14000 | | | | |
| 25 | 3750 | 2500 | 5400 | 4500 | 7700 | 5700 | 13000 | 9000 | 17000 | 14000 | | | | |
| ≤ 16 | 3750 | 2500 | 5400 | 4500 | 7700 | 5700 | 13000 | 9000 | 17000 | 14000 | | | | |
| $F_{r max.}$ | 3750 | – | 5400 | – | 7700 | – | 13000 | – | 17000 | – | | | | |

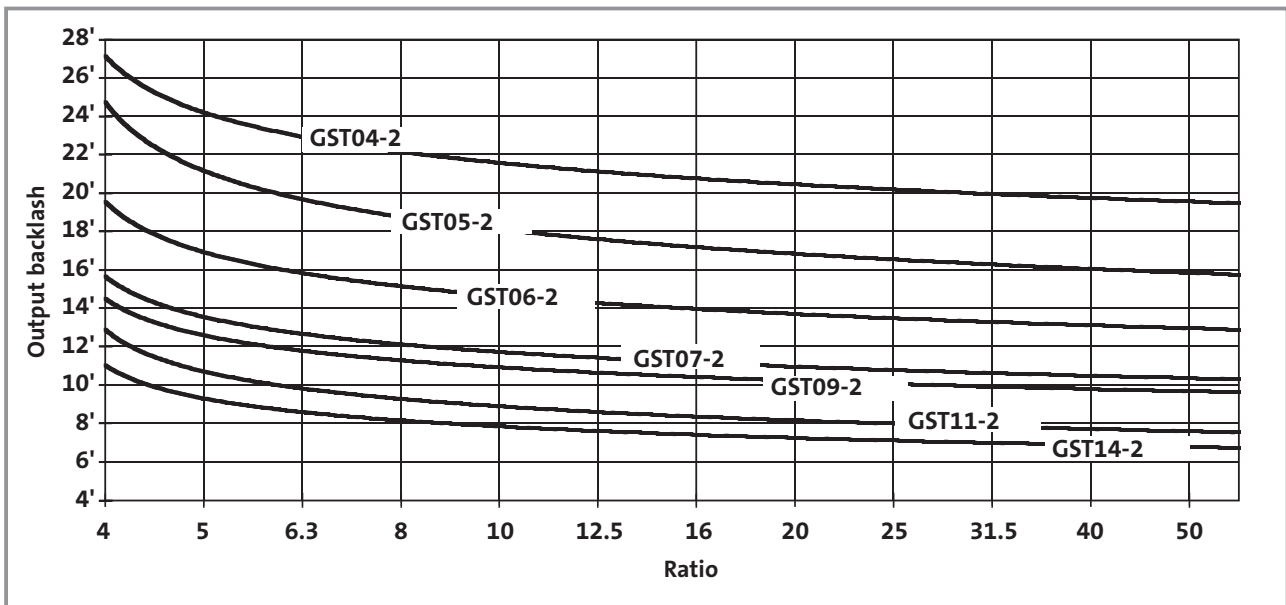
Technical data - Helical gearboxes

Output backlash in angular minutes

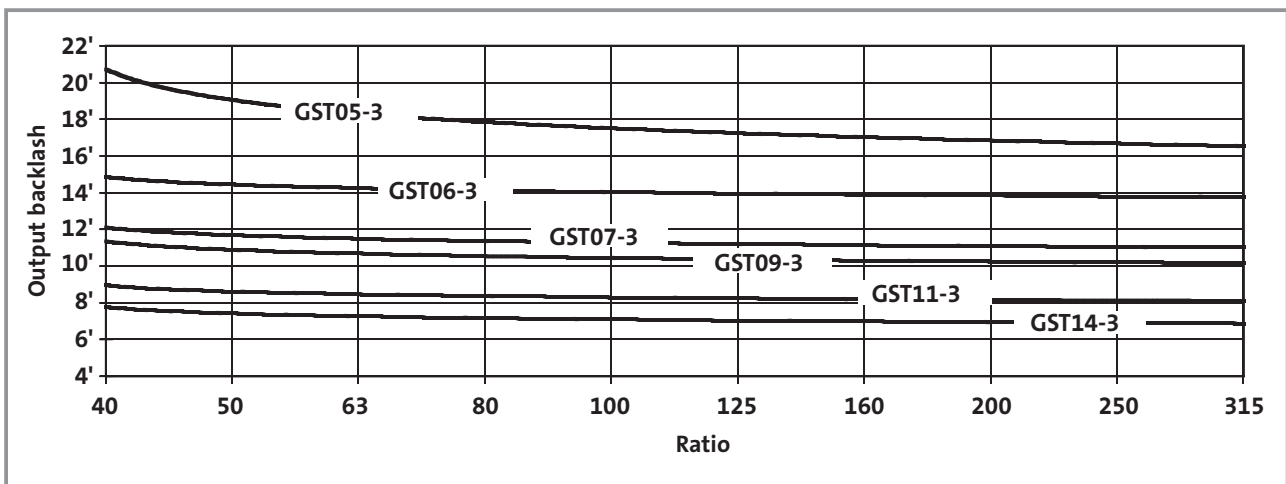
GST□□-1



GST□□-2



GST□□-3





Calculation formula: $i_{exact} = \frac{\text{Numerator}}{\text{Denominator}}$

| Actual ratio | Numerator | Denominator |
|-------------------|-----------|-------------|
| GST 04 - 1 | | |
| 1.600 | 40 | 25 |
| 2.048 | 43 | 21 |
| 2.240 | 56 | 25 |
| 2.857 | 60 | 21 |
| 3.500 | 63 | 18 |
| 4.400 | 66 | 15 |
| 5.667 | 68 | 12 |
| 7.182 | 79 | 11 |
| 9.000 | 81 | 9 |
| 11.857 | 83 | 7 |
| GST 04 - 2 | | |
| 2.956 | 1330 | 450 |
| 3.333 | 1400 | 420 |
| 4.053 | 1520 | 375 |
| 4.571 | 1600 | 350 |
| 5.187 | 1634 | 315 |
| 5.850 | 1720 | 294 |
| 6.400 | 2240 | 350 |
| 7.040 | 1760 | 250 |
| 8.000 | 1800 | 225 |
| 9.010 | 1892 | 210 |
| 9.856 | 2464 | 250 |
| 11.200 | 2520 | 225 |
| 12.571 | 2640 | 210 |
| 14.286 | 2700 | 189 |
| 15.400 | 2772 | 180 |
| 17.500 | 2835 | 162 |
| 19.360 | 2904 | 150 |
| 22.000 | 2970 | 135 |
| 24.933 | 2992 | 120 |
| 28.333 | 3060 | 108 |
| 31.600 | 3476 | 110 |
| 35.909 | 3555 | 99 |
| 39.600 | 3564 | 90 |
| 45.000 | 3645 | 81 |
| 52.171 | 3652 | 70 |
| 59.286 | 3735 | 63 |

Calculation formula: $i_{exact} = \frac{\text{Numerator}}{\text{Denominator}}$

| Actual ratio | Numerator | Denominator |
|-------------------|-----------|-------------|
| GST 05 - 1 | | |
| 1.600 | 40 | 25 |
| 2.048 | 43 | 21 |
| 2.240 | 56 | 25 |
| 2.857 | 60 | 21 |
| 3.500 | 63 | 18 |
| 4.556 | 82 | 18 |
| 5.667 | 68 | 12 |
| 7.333 | 88 | 12 |
| 8.900 | 89 | 10 |
| 11.375 | 91 | 8 |
| GST 05 - 2 | | |
| 2.956 | 1330 | 450 |
| 3.333 | 1400 | 420 |
| 4.053 | 1520 | 375 |
| 4.571 | 1600 | 350 |
| 5.187 | 1634 | 315 |
| 5.850 | 1720 | 294 |
| 6.400 | 2240 | 350 |
| 7.238 | 2280 | 315 |
| 8.163 | 2400 | 294 |
| 9.010 | 1892 | 210 |
| 10.000 | 2520 | 252 |
| 11.200 | 2520 | 225 |
| 13.016 | 3280 | 252 |
| 14.356 | 2584 | 180 |
| 16.190 | 2720 | 168 |
| 17.500 | 2835 | 162 |
| 20.044 | 3608 | 180 |
| 22.778 | 3690 | 162 |
| 24.933 | 2992 | 120 |
| 28.333 | 3060 | 108 |
| 32.267 | 3872 | 120 |
| 36.667 | 3960 | 108 |
| 39.160 | 3916 | 100 |
| 44.500 | 4005 | 90 |
| 50.050 | 4004 | 80 |
| 56.875 | 4095 | 72 |



Calculation formula: $i_{exact} = \frac{\text{Numerator}}{\text{Denominator}}$

| Actual ratio | Numerator | Denominator |
|-------------------|-----------|-------------|
| GST 05 - 3 | | |
| 36.267 | 152320 | 4200 |
| 46.259 | 163200 | 3528 |
| 56.667 | 171360 | 3024 |
| 63.467 | 171360 | 2700 |
| 71.238 | 179520 | 2520 |
| 80.952 | 183600 | 2268 |
| 91.746 | 184960 | 2016 |
| 99.167 | 192780 | 1944 |
| 116.277 | 214880 | 1848 |
| 124.667 | 201960 | 1620 |
| 145.714 | 220320 | 1512 |
| 160.556 | 208080 | 1296 |
| 179.067 | 236368 | 1320 |
| 191.973 | 225760 | 1176 |
| 224.400 | 242352 | 1080 |
| 255.000 | 247860 | 972 |
| 295.638 | 248336 | 840 |
| 335.952 | 253980 | 756 |

Technical data - Helical gearboxes

Ratios

Calculation formula: $i_{exact} = \frac{\text{Numerator}}{\text{Denominator}}$

| Actual ratio | Numerator | Denominator |
|-------------------|-----------|-------------|
| GST 06 - 1 | | |
| 1.600 | 40 | 25 |
| 2.048 | 43 | 21 |
| 2.240 | 56 | 25 |
| 2.857 | 60 | 21 |
| 3.500 | 63 | 18 |
| 4.556 | 82 | 18 |
| 5.667 | 68 | 12 |
| 7.333 | 88 | 12 |
| 8.900 | 89 | 10 |
| 11.250 | 90 | 8 |
| GST 06 - 2 | | |
| 3.033 | 1365 | 450 |
| 3.333 | 1400 | 420 |
| 4.160 | 1560 | 375 |
| 4.571 | 1600 | 350 |
| 5.324 | 1677 | 315 |
| 5.850 | 1720 | 294 |
| 6.400 | 2240 | 350 |
| 7.040 | 1760 | 250 |
| 8.163 | 2400 | 294 |
| 9.010 | 1892 | 210 |
| 10.000 | 2520 | 252 |
| 11.200 | 2520 | 225 |
| 12.571 | 2640 | 210 |
| 14.286 | 2700 | 189 |
| 15.400 | 2772 | 180 |
| 17.500 | 2835 | 162 |
| 20.044 | 3608 | 180 |
| 22.778 | 3690 | 162 |
| 24.933 | 2992 | 120 |
| 28.333 | 3060 | 108 |
| 32.267 | 3872 | 120 |
| 36.667 | 3960 | 108 |
| 39.160 | 3916 | 100 |
| 44.500 | 4005 | 90 |
| 49.500 | 3960 | 80 |
| 56.250 | 4050 | 72 |



Calculation formula: $i_{exact} = \frac{\text{Numerator}}{\text{Denominator}}$

| Actual ratio | Numerator | Denominator |
|-------------------|-----------|-------------|
| GST 06 - 3 | | |
| 39.200 | 158760 | 4050 |
| 44.000 | 166320 | 3780 |
| 51.022 | 206640 | 4050 |
| 53.900 | 174636 | 3240 |
| 67.760 | 182952 | 2700 |
| 70.156 | 227304 | 3240 |
| 80.952 | 183600 | 2268 |
| 87.267 | 188496 | 2160 |
| 99.167 | 192780 | 1944 |
| 109.707 | 197472 | 1800 |
| 124.667 | 201960 | 1620 |
| 141.289 | 203456 | 1440 |
| 160.556 | 208080 | 1296 |
| 179.067 | 236368 | 1320 |
| 203.485 | 241740 | 1188 |
| 231.733 | 305888 | 1320 |
| 255.000 | 247860 | 972 |
| 290.400 | 313632 | 1080 |
| 330.000 | 320760 | 972 |
| 382.590 | 321376 | 840 |
| 434.762 | 328680 | 756 |

Technical data - Helical gearboxes

Ratios

Calculation formula: $i_{exact} = \frac{\text{Numerator}}{\text{Denominator}}$

| Actual ratio | Numerator | Denominator |
|-------------------|-----------|-------------|
| GST 07 - 1 | | |
| 1.625 | 39 | 24 |
| 2.000 | 42 | 21 |
| 2.240 | 56 | 25 |
| 2.857 | 60 | 21 |
| 3.500 | 63 | 18 |
| 4.556 | 82 | 18 |
| 5.583 | 67 | 12 |
| 7.333 | 88 | 12 |
| 8.900 | 89 | 10 |
| 11.250 | 90 | 8 |
| GST 07 - 2 | | |
| 3.048 | 1326 | 435 |
| 3.350 | 1360 | 406 |
| 4.225 | 1521 | 360 |
| 4.643 | 1560 | 336 |
| 5.200 | 1638 | 315 |
| 5.714 | 1680 | 294 |
| 6.400 | 2240 | 350 |
| 7.150 | 1716 | 240 |
| 8.125 | 1755 | 216 |
| 8.800 | 1848 | 210 |
| 9.856 | 2464 | 250 |
| 11.200 | 2520 | 225 |
| 12.571 | 2640 | 210 |
| 14.286 | 2700 | 189 |
| 15.400 | 2772 | 180 |
| 17.500 | 2835 | 162 |
| 20.044 | 3608 | 180 |
| 22.778 | 3690 | 162 |
| 24.567 | 2948 | 120 |
| 27.917 | 3015 | 108 |
| 32.267 | 3872 | 120 |
| 36.667 | 3960 | 108 |
| 39.160 | 3916 | 100 |
| 44.500 | 4005 | 90 |
| 49.500 | 3960 | 80 |
| 56.250 | 4050 | 72 |



Calculation formula: $i_{exact} = \frac{\text{Numerator}}{\text{Denominator}}$

| Actual ratio | Numerator | Denominator |
|-------------------|-----------|-------------|
| GST 07 - 3 | | |
| 39.200 | 158760 | 4050 |
| 44.000 | 166320 | 3780 |
| 51.022 | 206640 | 4050 |
| 53.900 | 174636 | 3240 |
| 65.079 | 221400 | 3402 |
| 70.156 | 227304 | 3240 |
| 79.762 | 180900 | 2268 |
| 85.983 | 185724 | 2160 |
| 97.708 | 189945 | 1944 |
| 111.915 | 241736 | 2160 |
| 127.176 | 247230 | 1944 |
| 139.211 | 200464 | 1440 |
| 158.194 | 205020 | 1296 |
| 180.156 | 259424 | 1440 |
| 204.722 | 265320 | 1296 |
| 236.622 | 340736 | 1440 |
| 248.458 | 268335 | 1080 |
| 268.889 | 348480 | 1296 |
| 326.333 | 352440 | 1080 |
| 367.033 | 352352 | 960 |
| 417.083 | 360360 | 864 |

Technical data - Helical gearboxes

Ratios

Calculation formula: $i_{exact} = \frac{\text{Numerator}}{\text{Denominator}}$

| Actual ratio | Numerator | Denominator |
|-------------------|-----------|-------------|
| GST 09 - 1 | | |
| 1.560 | 39 | 25 |
| 2.048 | 43 | 21 |
| 2.333 | 56 | 24 |
| 2.810 | 59 | 21 |
| 3.444 | 62 | 18 |
| 4.667 | 84 | 18 |
| 5.667 | 68 | 12 |
| 7.333 | 88 | 12 |
| 8.900 | 89 | 10 |
| 11.250 | 90 | 8 |
| GST 09 - 2 | | |
| 4.056 | 1521 | 375 |
| 4.457 | 1560 | 350 |
| 5.324 | 1677 | 315 |
| 5.850 | 1720 | 294 |
| 6.667 | 2240 | 336 |
| 7.305 | 2301 | 315 |
| 8.027 | 2360 | 294 |
| 9.010 | 1892 | 210 |
| 10.267 | 2464 | 240 |
| 11.667 | 2520 | 216 |
| 12.362 | 2596 | 210 |
| 14.048 | 2655 | 189 |
| 15.156 | 2728 | 180 |
| 17.222 | 2790 | 162 |
| 20.533 | 3696 | 180 |
| 23.333 | 3780 | 162 |
| 24.933 | 2992 | 120 |
| 28.333 | 3060 | 108 |
| 32.267 | 3872 | 120 |
| 36.667 | 3960 | 108 |
| 39.160 | 3916 | 100 |
| 44.500 | 4005 | 90 |
| 49.500 | 3960 | 80 |
| 56.250 | 4050 | 72 |



Calculation formula: $i_{exact} = \frac{\text{Numerator}}{\text{Denominator}}$

| Actual ratio | Numerator | Denominator |
|-------------------|-----------|-------------|
| GST 09 - 3 | | |
| 40.136 | 159300 | 3969 |
| 43.267 | 163548 | 3780 |
| 49.167 | 167265 | 3402 |
| 53.044 | 171864 | 3240 |
| 60.278 | 175770 | 2916 |
| 71.867 | 232848 | 3240 |
| 81.667 | 238140 | 2916 |
| 93.541 | 303072 | 3240 |
| 99.167 | 192780 | 1944 |
| 113.585 | 245344 | 2160 |
| 129.074 | 250920 | 1944 |
| 141.289 | 203456 | 1440 |
| 160.556 | 208080 | 1296 |
| 182.844 | 263296 | 1440 |
| 207.778 | 269280 | 1296 |
| 236.622 | 340736 | 1440 |
| 252.167 | 272340 | 1080 |
| 268.889 | 348480 | 1296 |
| 326.333 | 352440 | 1080 |
| 363.000 | 348480 | 960 |
| 412.500 | 356400 | 864 |

Technical data - Helical gearboxes

Ratios

Calculation formula: $i_{exact} = \frac{\text{Numerator}}{\text{Denominator}}$

| Actual ratio | Numerator | Denominator |
|-------------------|-----------|-------------|
| GST 11 - 2 | | |
| 4.056 | 1521 | 375 |
| 4.457 | 1560 | 350 |
| 5.324 | 1677 | 315 |
| 5.850 | 1720 | 294 |
| 6.400 | 2240 | 350 |
| 6.864 | 1716 | 250 |
| 7.800 | 1755 | 225 |
| 9.010 | 1892 | 210 |
| 9.856 | 2464 | 250 |
| 11.200 | 2520 | 225 |
| 12.571 | 2640 | 210 |
| 14.286 | 2700 | 189 |
| 15.400 | 2772 | 180 |
| 17.500 | 2835 | 162 |
| 20.289 | 3652 | 180 |
| 23.056 | 3735 | 162 |
| 24.933 | 2992 | 120 |
| 28.333 | 3060 | 108 |
| 32.267 | 3872 | 120 |
| 36.667 | 3960 | 108 |
| 39.160 | 3916 | 100 |
| 44.500 | 4005 | 90 |
| 49.500 | 3960 | 80 |
| 56.250 | 4050 | 72 |
| GST 11 - 3 | | |
| 40.816 | 162000 | 3969 |
| 44.000 | 166320 | 3780 |
| 50.000 | 170100 | 3402 |
| 57.968 | 219120 | 3780 |
| 61.250 | 178605 | 2916 |
| 71.011 | 230076 | 3240 |
| 80.694 | 235305 | 2916 |
| 87.267 | 188496 | 2160 |
| 99.167 | 192780 | 1944 |
| 112.933 | 243936 | 2160 |
| 129.074 | 250920 | 1944 |
| 146.993 | 317504 | 2160 |
| 158.194 | 205020 | 1296 |
| 180.156 | 259424 | 1440 |
| 207.778 | 269280 | 1296 |
| 236.622 | 340736 | 1440 |
| 252.167 | 272340 | 1080 |
| 268.889 | 348480 | 1296 |
| 326.333 | 352440 | 1080 |
| 363.000 | 348480 | 960 |
| 412.500 | 356400 | 864 |

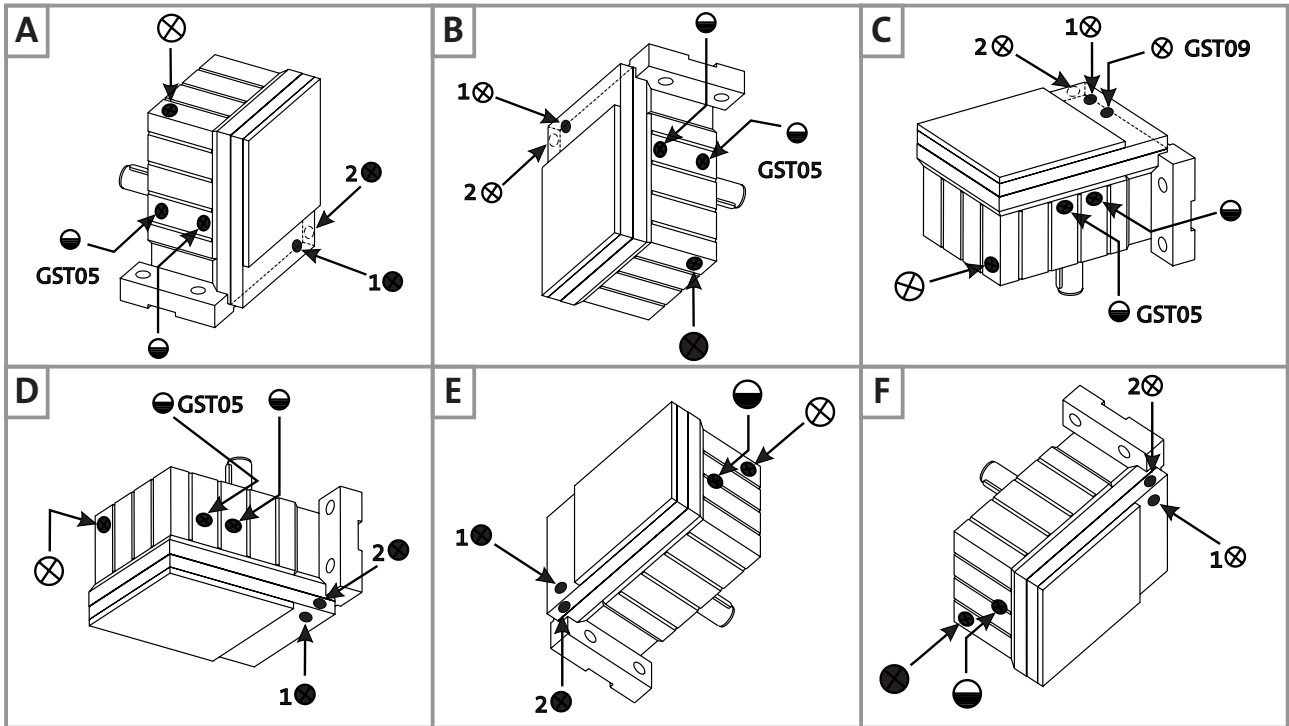


Calculation formula: $i_{exact} = \frac{\text{Numerator}}{\text{Denominator}}$

| Actual ratio | Numerator | Denominator |
|-------------------|-----------|-------------|
| GST 14 - 2 | | |
| 4.225 | 1521 | 360 |
| 4.643 | 1560 | 336 |
| 5.200 | 1638 | 315 |
| 5.714 | 1680 | 294 |
| 6.286 | 2200 | 350 |
| 7.150 | 1716 | 240 |
| 8.027 | 2360 | 294 |
| 8.800 | 1848 | 210 |
| 9.841 | 2480 | 252 |
| 11.000 | 2475 | 225 |
| 12.362 | 2596 | 210 |
| 14.048 | 2655 | 189 |
| 15.156 | 2728 | 180 |
| 17.222 | 2790 | 162 |
| 20.044 | 3608 | 180 |
| 22.778 | 3690 | 162 |
| 24.567 | 2948 | 120 |
| 27.917 | 3015 | 108 |
| 32.267 | 3872 | 120 |
| 36.667 | 3960 | 108 |
| 39.160 | 3916 | 100 |
| 44.500 | 4005 | 90 |
| 49.500 | 3960 | 80 |
| 56.250 | 4050 | 72 |
| GST 14 - 3 | | |
| 40.185 | 156240 | 3888 |
| 42.580 | 160952 | 3780 |
| 48.386 | 164610 | 3402 |
| 53.148 | 206640 | 3888 |
| 59.321 | 172980 | 2916 |
| 69.042 | 223696 | 3240 |
| 78.457 | 228780 | 2916 |
| 93.541 | 303072 | 3240 |
| 96.157 | 186930 | 1944 |
| 106.296 | 309960 | 2916 |
| 130.278 | 253260 | 1944 |
| 139.211 | 200464 | 1440 |
| 158.194 | 205020 | 1296 |
| 171.111 | 332640 | 1944 |
| 204.722 | 265320 | 1296 |
| 236.622 | 340736 | 1440 |
| 248.458 | 268335 | 1080 |
| 268.889 | 348480 | 1296 |
| 326.333 | 352440 | 1080 |
| 363.000 | 348480 | 960 |
| 412.500 | 356400 | 864 |

Position of ventilation, sealing elements and oil control

GST05 ... 09-1



(A ... F) Mounting position

⊗ Ventilation/oil filler plug
● Oil drain plug

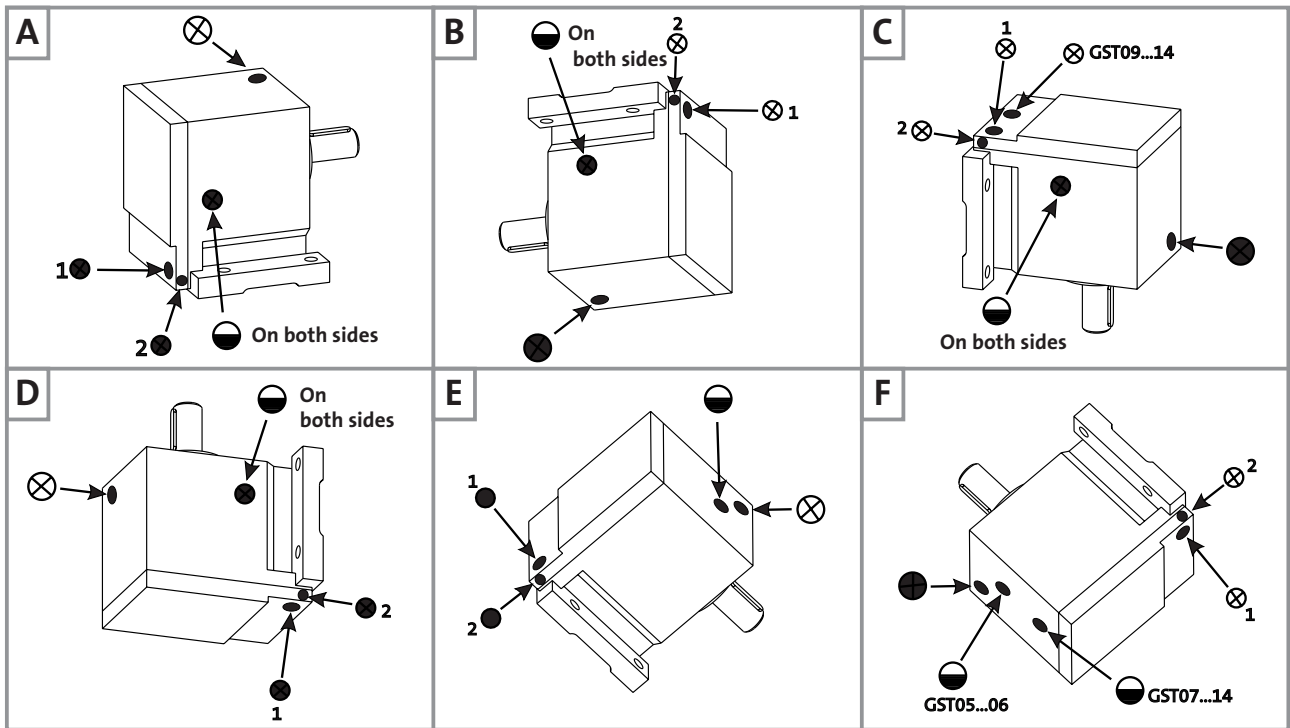
◐ Oil control plug
◑ Oil-sight glass

Pos. 1 Standard
Pos. 2 only on GST05 - 1A 080C22

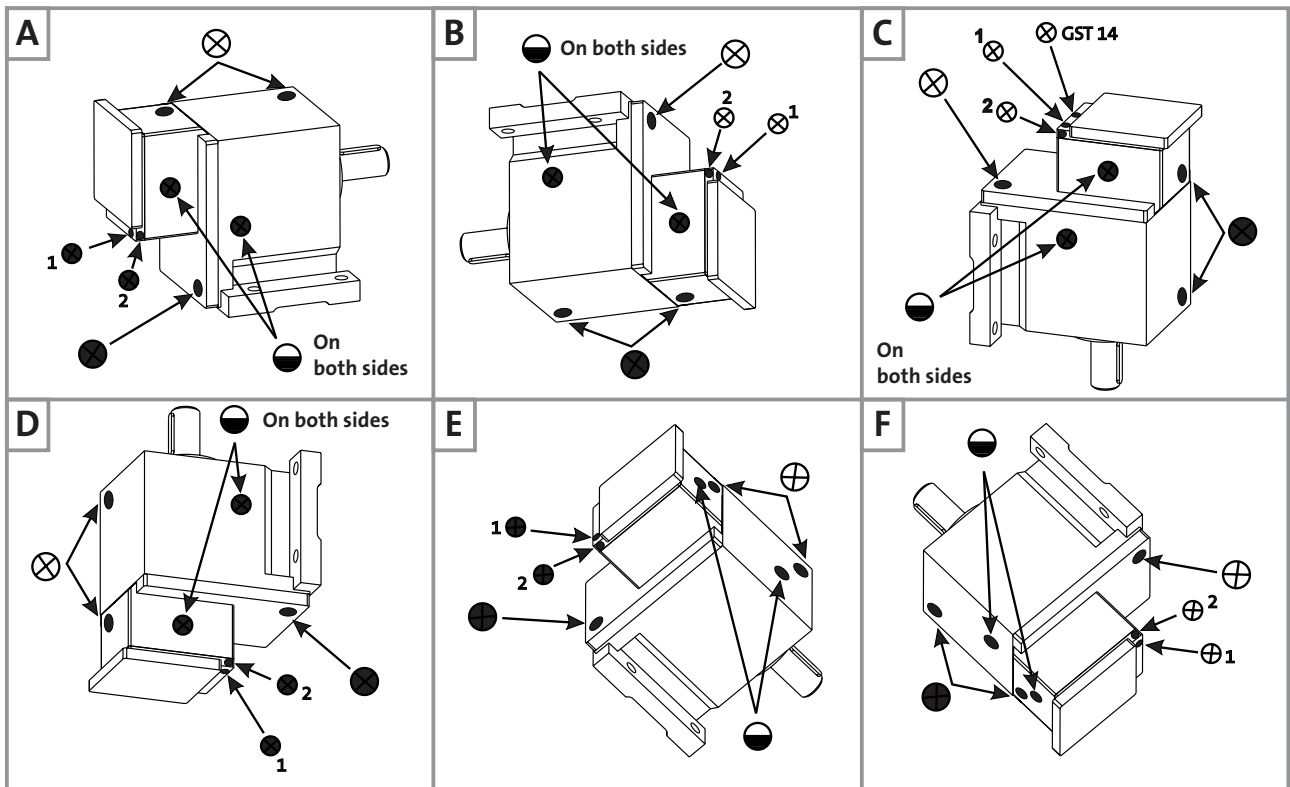


Position of ventilation, sealing elements and oil control

GST05 ... 14-2



GST05 ... 14-3



(A ... F) Mounting position

⊗ Ventilation/oil filler plug
● Oil drain plug

◐ Oil control plug
◑ Oil-sight glass

Pos. 1 Standard

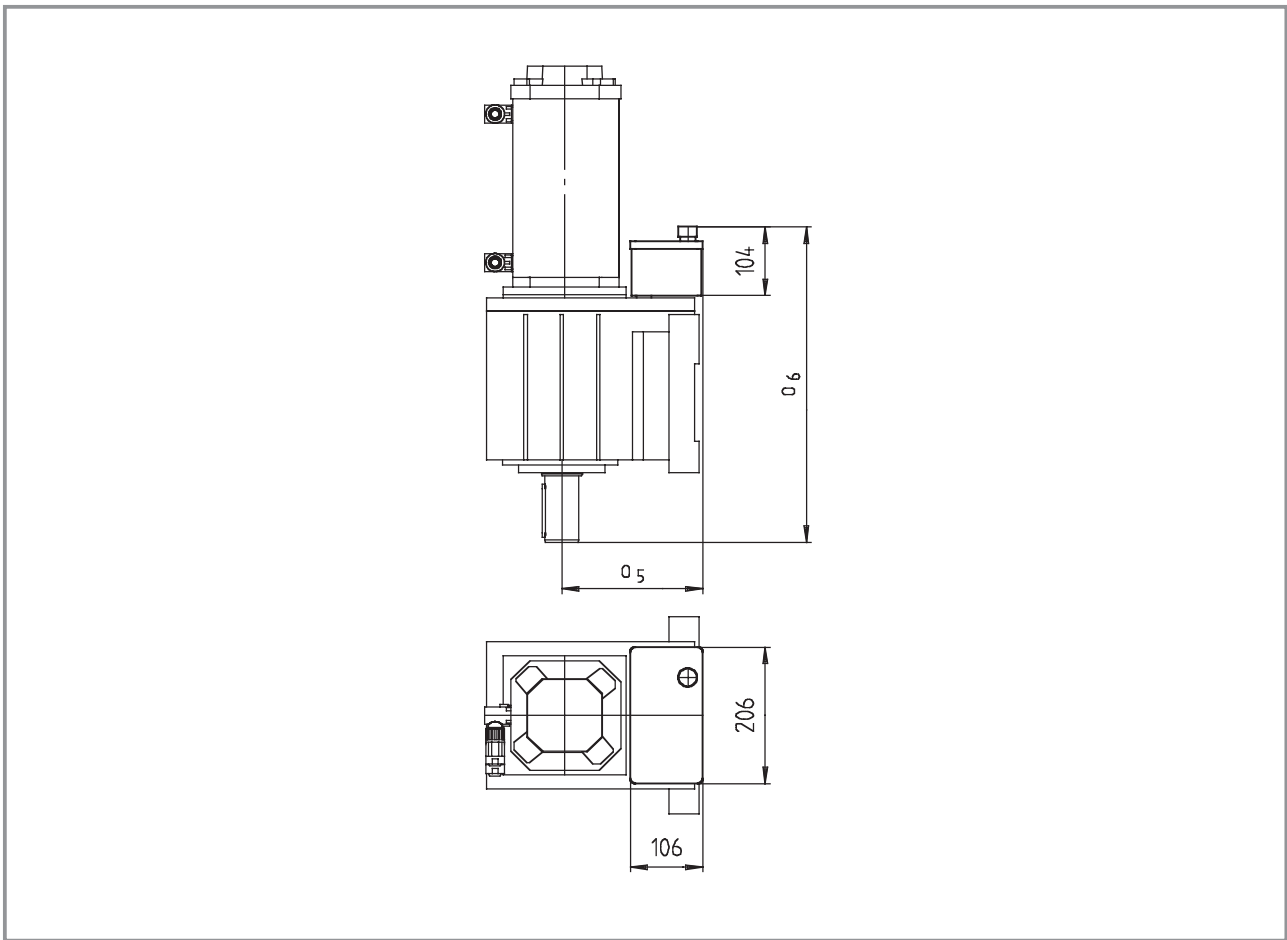
Pos. 2 only on GST05-2A □□□ 080C22
GST07-3A □□□ 080C22





Reservoir for mounting position C

Helical gearboxes GST



| Helical gearbox GST□□ - 2A | | Motor frame size | | |
|-------------------------------|----------------|------------------|--------|--------|
| | | 080C22 090C22 | 100C22 | 112C22 |
| GST 09 | ø ₅ | 206 | 228 | 245 |
| | ø ₆ | 477 | 477 | 477 |
| GST 11 | ø ₅ | 208 | 230 | 254 |
| | ø ₆ | 536 | 540 | 540 |
| GST 14 | ø ₅ | | 252 | 282 |
| | ø ₆ | | 640 | 640 |

Connector/terminal box position 4 not permissible.
Dimensions in [mm]

Helical gearbox GST□□-1

| Gearbox size | naturally ventilated | | | | | | | | | | | | |
|--------------|--|-----|-----|-----|-----|---|-----|-----|-----|-----|-----|-----|-----|
| | GST□□-1S VBR with motor frame size (synchronous) | | | | | GST□□-1A VBR with motor frame size (asynchronous) | | | | | | | |
| | 056 | | 071 | | | 056 | | 071 | | 080 | | 100 | |
| | C23 | C33 | C03 | C13 | C33 | C22 | C22 | C22 | C22 | C22 | C22 | C22 | C22 |
| 04 | 9 | 10 | 13 | 15 | 17 | 10 | 15 | | | | | | |
| 05 | 13 | 14 | 17 | 19 | 21 | 14 | 18 | 24 | 32 | | | | |
| 06 | 17 | 18 | 21 | 23 | 25 | 18 | 22 | 29 | 36 | | | | |
| 07 | 27 | 28 | 30 | 32 | 34 | 28 | 32 | 38 | 45 | | | 69 | 86 |
| 09 | | | | | | | | 52 | 60 | | | 83 | 101 |

| Gearbox size | naturally ventilated | | | | | | | | | | | | |
|--------------|--|-----|-----|-----|-----|---|-----|-----|-----|-----|-----|-----|-----|
| | GST□□-1S VCR with motor frame size (synchronous) | | | | | GST□□-1A VCR with motor frame size (asynchronous) | | | | | | | |
| | 056 | | 071 | | | 056 | | 071 | | 080 | | 100 | |
| | C23 | C33 | C03 | C13 | C33 | C22 | C22 | C22 | C22 | C22 | C22 | C22 | C22 |
| 04 | 9 | 10 | 13 | 15 | 17 | 10 | 14 | | | | | | |
| 05 | 12 | 13 | 16 | 18 | 20 | 13 | 17 | 23 | 31 | | | | |
| 06 | 16 | 17 | 19 | 21 | 23 | 17 | 21 | 27 | 35 | | | | |
| 07 | 24 | 25 | 27 | 29 | 31 | 25 | 29 | 35 | 42 | | | 66 | 83 |
| 09 | | | | | | | | 48 | 56 | | | 78 | 96 |

Note the additional weights on page 3-22.

Weights in [kg] with oil capacity for mounting position A. All data is approximate



Helical gearbox GST□□-2

| Gearbox size | naturally ventilated | | | | | | | | | | |
|--------------|--|-----|-----|-----|-----|---|-----|-----|-----|-----|-----|
| | GST□□-2S VAR/VBR with motor frame size (synchronous) | | | | | GST□□-2A VAR/VBR with motor frame size (asynchronous) | | | | | |
| | 056 | | 071 | | | 056 | 071 | 080 | 090 | 100 | 112 |
| | C23 | C33 | C03 | C13 | C33 | C22 | C22 | C22 | C22 | C22 | C22 |
| 04 | 11 | 12 | 15 | 17 | 19 | 12 | 17 | | | | |
| 05 | 17 | 18 | 20 | 22 | 24 | 18 | 22 | 27 | | | |
| 06 | 24 | 25 | 27 | 29 | 31 | 25 | 29 | 35 | 43 | | |
| 07 | 39 | 40 | 43 | 45 | 47 | 40 | 44 | 50 | 58 | 81 | 98 |
| 09 | | | | | | | | 77 | 85 | 107 | 125 |
| 11 | | | | | | | | 123 | 131 | 153 | 170 |
| 14 | | | | | | | | | | 245 | 259 |

| Gearbox size | naturally ventilated | | | | | | | | | | |
|--------------|--|-----|-----|-----|-----|---|-----|-----|-----|-----|-----|
| | GST□□-2S VCR with motor frame size (synchronous) | | | | | GST□□-2A VCR with motor frame size (asynchronous) | | | | | |
| | 056 | | 071 | | | 056 | 071 | 080 | 090 | 100 | 112 |
| | C23 | C33 | C03 | C13 | C33 | C22 | C22 | C22 | C22 | C22 | C22 |
| 04 | 11 | 12 | 15 | 17 | 19 | 12 | 16 | | | | |
| 05 | 15 | 16 | 19 | 21 | 23 | 16 | 20 | 26 | | | |
| 06 | 21 | 22 | 25 | 27 | 29 | 22 | 26 | 32 | 40 | | |
| 07 | 35 | 36 | 38 | 40 | 42 | 36 | 40 | 45 | 53 | 77 | 93 |
| 09 | | | | | | | | 68 | 76 | 99 | 117 |
| 11 | | | | | | | | 108 | 116 | 138 | 155 |
| 14 | | | | | | | | | | 217 | 231 |

Note the additional weights on page 3-22.

Weights in [kg] with oil capacity for mounting position A. All data is approximate

Helical gearbox GST□□-3

| Gearbox size | naturally ventilated | | | | | | | | | | |
|--------------|--|------------|------------|------------|------------|---|------------|------------|------------|------------|------------|
| | GST□□-3S VAR/VBR with motor frame size (synchronous) | | | | | GST□□-3A VAR/VBR with motor frame size (asynchronous) | | | | | |
| | 056 C23 | 056 C33 | 071 C03 | 071 C13 | 071 C33 | 056 C22 | 071 C22 | 080 C22 | 090 C22 | 100 C22 | 112 C22 |
| 05 | 17 | 18 | 21 | 23 | 26 | 18 | 23 | | | | |
| 06 | 27 | 28 | 31 | 33 | 36 | 28 | 33 | | | | |
| 07 | 47 | 48 | 50 | 52 | 55 | 48 | 52 | 58 | | | |
| 09 | 79 | 80 | 82 | 84 | 86 | 80 | 84 | 90 | 98 | | |
| 11 | 133 | 134 | 137 | 139 | 141 | 134 | 138 | 144 | 152 | 175 | 192 |
| 14 | | | | | | | | 250 | 258 | 281 | 299 |

| Gearbox size | naturally ventilated | | | | | | | | | | |
|--------------|--|------------|------------|------------|------------|---|------------|------------|------------|------------|------------|
| | GST□□-3S VCR with motor frame size (synchronous) | | | | | GST□□-3A VCR with motor frame size (asynchronous) | | | | | |
| | 056 C23 | 056 C33 | 071 C03 | 071 C13 | 071 C33 | 056 C22 | 071 C22 | 080 C22 | 090 C22 | 100 C22 | 112 C22 |
| 05 | 16 | 17 | 20 | 22 | 24 | 17 | 21 | | | | |
| 06 | 25 | 26 | 29 | 31 | 33 | 36 | 30 | | | | |
| 07 | 43 | 44 | 46 | 48 | 50 | 44 | 48 | 53 | | | |
| 09 | 70 | 71 | 74 | 76 | 78 | 71 | 75 | 82 | 89 | | |
| 11 | 118 | 119 | 122 | 124 | 126 | 119 | 123 | 129 | 137 | 160 | 177 |
| 14 | | | | | | | | 222 | 230 | 253 | 271 |

Additional weights

At the drive end

| Synchronous | | | | | Asynchronous | | | | | |
|-------------------|------------|------------|------------|------------|--------------|------------|------------|------------|------------|------------|
| 056 C23 | 056 C33 | 071 C03 | 071 C13 | 071 C33 | 056 C22 | 071 C22 | 080 C22 | 090 C22 | 100 C22 | 112 C22 |
| forced ventilated | | | | | | | | | | |
| – | – | 1.3 | 1.3 | 1.3 | – | 1.6 | 1.9 | 2.6 | 3.5 | 3.5 |
| Brake | | | | | | | | | | |
| 0.9 | 0.9 | 1.4 | 1.4 | 1.4 | 0.9 | 1.4 | 1.5 | 2.4 | 4.8 | 5.0 |

At the non-drive end

| Gearbox size VCK/VAL | Flange |
|-------------------------|--------|
| 04 | 1.0 |
| 05 | 1.5 |
| 06 | 3.0 |
| 07 | 4.0 |
| 09 | 7.0 |
| 11 | 10.5 |
| 14 | 15.5 |

Weights in [kg] with oil capacity for mounting position A.
All data is approximate

Selection tables - Helical gearboxes

Naturally ventilated synchronous geared servo motors



| M ₂ [Nm] | n ₂ trans [rpm] | c | i | M ₂ max short-time on geared motor at | | | | M ₂ Gr gearbox c=1 n ₁ ≤ 1400 rpm [Nm] | n ₂ therm [rpm] | J _{GM} referred to motor shaft [kgm ²] | Servo helical- geared motor Dimensions on Page 3-99 |
|------------------------|-------------------------------|------------|--------------|---|-------------|----------------------------|-------------|--|-------------------------------|---|--|
| | | | | 8 kHz | | 16 kHz | | | | | |
| | | | | M ₂ max [Nm] | Type EVS | M ₂ max [Nm] | Type EVS | | | | |
| 4 | 2375 | 3.2 | 1.6 | 7 | 9322 | 8 | 9323 | 19 | 2310 | 1.67E-04 | GST04 - 1S □□□ 056C23 MDSKS□□ 056-23 190 |
| 6 | 1856 | 3 | 2.048 | 9 | 9322 | 11 | 9323 | 23 | 1856 | 1.59E-04 | GST04 - 1S □□□ 056C23 MDSKS□□ 056-23 190 |
| 6 | 1696 | 2.9 | 2.24 | 10 | 9322 | 12 | 9323 | 25 | 1696 | 1.57E-04 | GST04 - 1S □□□ 056C23 MDSKS□□ 056-23 190 |
| 8 | 1330 | 2.3 | 2.857 | 13 | 9322 | 15 | 9323 | 25 | 1330 | 1.53E-04 | GST04 - 1S □□□ 056C23 MDSKS□□ 056-23 190 |
| 10 | 1086 | 1.9 | 3.5 | 16 | 9322 | 19 | 9323 | 25 | 1086 | 1.50E-04 | GST04 - 1S □□□ 056C23 MDSKS□□ 056-23 190 |
| 12 | 864 | 1.5 | 4.4 | 20 | 9322 | 23 | 9323 | 25 | 864 | 1.47E-04 | GST04 - 1S □□□ 056C23 MDSKS□□ 056-23 190 |
| 16 | 671 | 1.2 | 5.667 | 26 | 9322 | 30 | 9323 | 25 | 671 | 1.45E-04 | GST04 - 1S □□□ 056C23 MDSKS□□ 056-23 190 |
| 7 | 2500 | 2.1 | 1.6 | 11 | 9323 | 14 | 9324 | 19 | 2141 | 2.27E-04 | GST04 - 1S □□□ 056C33 MDSKS□□ 056-33 200 |
| 8 | 1953 | 1.9 | 2.048 | 14 | 9323 | 18 | 9324 | 23 | 1943 | 2.19E-04 | GST04 - 1S □□□ 056C33 MDSKS□□ 056-33 200 |
| 9 | 1786 | 1.9 | 2.24 | 15 | 9323 | 20 | 9324 | 25 | 1786 | 2.17E-04 | GST04 - 1S □□□ 056C33 MDSKS□□ 056-33 200 |
| 12 | 1400 | 1.5 | 2.857 | 19 | 9323 | 25 | 9324 | 25 | 1400 | 2.13E-04 | GST04 - 1S □□□ 056C33 MDSKS□□ 056-33 200 |
| 14 | 1143 | 1.2 | 3.5 | 24 | 9323 | 31 | 9324 | 25 | 1143 | 2.10E-04 | GST04 - 1S □□□ 056C33 MDSKS□□ 056-33 200 |
| 9 | 2125 | 1.6 | 1.6 | 13 | 9323 | 17 | 9324 | 19 | 1928 | 6.27E-04 | GST04 - 1S □□□ 071C03 MDSKS□□ 071-03 170 |
| 11 | 1660 | 1.5 | 2.048 | 16 | 9323 | 21 | 9324 | 23 | 1660 | 6.19E-04 | GST04 - 1S □□□ 071C03 MDSKS□□ 071-03 170 |
| 13 | 1518 | 1.5 | 2.24 | 18 | 9323 | 23 | 9324 | 25 | 1518 | 6.17E-04 | GST04 - 1S □□□ 071C03 MDSKS□□ 071-03 170 |
| 16 | 1190 | 1.2 | 2.857 | 23 | 9323 | 30 | 9324 | 25 | 1190 | 6.13E-04 | GST04 - 1S □□□ 071C03 MDSKS□□ 071-03 170 |
| 13 | 2313 | 1.1 | 1.6 | 20 | 9324 | 27 | 9325 | 19 | 1628 | 8.27E-04 | GST04 - 1S □□□ 071C13 MDSKS□□ 071-13 180 |
| 17 | 1807 | 1 | 2.048 | 25 | 9324 | 34 | 9325 | 23 | 1424 | 8.19E-04 | GST04 - 1S □□□ 071C13 MDSKS□□ 071-13 180 |
| 8 | 1286 | 3.6 | 2.956 | 13 | 9322 | 15 | 9323 | 39 | 1148 | 1.74E-04 | GST04 - 2S □□□ 056C23 MDSKS□□ 056-23 190 |
| 9 | 1140 | 3.4 | 3.333 | 15 | 9322 | 17 | 9323 | 42 | 1008 | 1.72E-04 | GST04 - 2S □□□ 056C23 MDSKS□□ 056-23 190 |
| 11 | 938 | 3 | 4.053 | 18 | 9322 | 21 | 9323 | 45 | 902 | 1.71E-04 | GST04 - 2S □□□ 056C23 MDSKS□□ 056-23 190 |
| 12 | 831 | 2.8 | 4.571 | 21 | 9322 | 24 | 9323 | 48 | 792 | 1.70E-04 | GST04 - 2S □□□ 056C23 MDSKS□□ 056-23 190 |
| 14 | 733 | 2.6 | 5.187 | 23 | 9322 | 27 | 9323 | 50 | 733 | 1.62E-04 | GST04 - 2S □□□ 056C23 MDSKS□□ 056-23 190 |
| 16 | 650 | 2.5 | 5.85 | 26 | 9322 | 30 | 9323 | 53 | 650 | 1.62E-04 | GST04 - 2S □□□ 056C23 MDSKS□□ 056-23 190 |
| 17 | 594 | 2.3 | 6.4 | 29 | 9322 | 33 | 9323 | 55 | 594 | 1.59E-04 | GST04 - 2S □□□ 056C23 MDSKS□□ 056-23 190 |
| 19 | 540 | 2.2 | 7.04 | 32 | 9322 | 37 | 9323 | 57 | 490 | 1.66E-04 | GST04 - 2S □□□ 056C23 MDSKS□□ 056-23 190 |
| 22 | 475 | 2 | 8 | 36 | 9322 | 42 | 9323 | 59 | 425 | 1.66E-04 | GST04 - 2S □□□ 056C23 MDSKS□□ 056-23 190 |
| 24 | 422 | 1.9 | 9.01 | 41 | 9322 | 47 | 9323 | 63 | 422 | 1.59E-04 | GST04 - 2S □□□ 056C23 MDSKS□□ 056-23 190 |
| 27 | 386 | 1.8 | 9.856 | 44 | 9322 | 51 | 9323 | 65 | 386 | 1.57E-04 | GST04 - 2S □□□ 056C23 MDSKS□□ 056-23 190 |
| 30 | 339 | 1.4 | 11.2 | 50 | 9322 | 58 | 9323 | 60 | 319 | 1.57E-04 | GST04 - 2S □□□ 056C23 MDSKS□□ 056-23 190 |
| 34 | 302 | 1.5 | 12.571 | 57 | 9322 | 65 | 9323 | 69 | 302 | 1.53E-04 | GST04 - 2S □□□ 056C23 MDSKS□□ 056-23 190 |
| 39 | 266 | 1.1 | 14.286 | 64 | 9322 | 74 | 9323 | 61 | 262 | 1.52E-04 | GST04 - 2S □□□ 056C23 MDSKS□□ 056-23 190 |
| 42 | 247 | 1.4 | 15.4 | 69 | 9322 | 80 | 9323 | 70 | 247 | 1.50E-04 | GST04 - 2S □□□ 056C23 MDSKS□□ 056-23 190 |
| 48 | 217 | 1.1 | 17.5 | 79 | 9322 | 91 | 9323 | 62 | 217 | 1.50E-04 | GST04 - 2S □□□ 056C23 MDSKS□□ 056-23 190 |

Observe the notes for thermal dimensioning.

Selection tables - Helical gearboxes

Naturally ventilated synchronous geared servo motors

| M ₂ [Nm] | n ₂ trans [rpm] | c | i | M ₂ max short-time on geared motor at | | | | M ₂ Gr gearbox c=1 n ₁ ≤ 1400 rpm [Nm] | n ₂ therm [rpm] | J _{GM} referred to motor shaft [kgm ²] | Servo helical- geared motor Dimensions on Page 3-99 |
|------------------------|-------------------------------|-----|-------|---|-------------|----------------------------|-------------|--|-------------------------------|---|--|
| | | | | 8 kHz | | 16 kHz | | | | | |
| | | | | M ₂ max [Nm] | Type EVS | M ₂ max [Nm] | Type EVS | | | | |
| 53 | 196 | 1.1 | 19.36 | 87 | 9322 | 101 | 9323 | 70 | 196 | 1.46E-04 | GST04 - 2S □□□ 056C23 MDSKS□□ 056-23 190 |
| 12 | 1353 | 2.3 | 2.956 | 20 | 9323 | 26 | 9324 | 39 | 1057 | 2.34E-04 | GST04 - 2S □□□ 056C33 MDSKS□□ 056-33 200 |
| 13 | 1200 | 2.2 | 3.333 | 22 | 9323 | 29 | 9324 | 42 | 926 | 2.32E-04 | GST04 - 2S □□□ 056C33 MDSKS□□ 056-33 200 |
| 16 | 987 | 2 | 4.053 | 27 | 9323 | 35 | 9324 | 45 | 835 | 2.31E-04 | GST04 - 2S □□□ 056C33 MDSKS□□ 056-33 200 |
| 18 | 875 | 1.9 | 4.571 | 31 | 9323 | 40 | 9324 | 48 | 720 | 2.30E-04 | GST04 - 2S □□□ 056C33 MDSKS□□ 056-33 200 |
| 21 | 771 | 1.7 | 5.187 | 35 | 9323 | 45 | 9324 | 50 | 716 | 2.22E-04 | GST04 - 2S □□□ 056C33 MDSKS□□ 056-33 200 |
| 24 | 684 | 1.6 | 5.85 | 39 | 9323 | 51 | 9324 | 53 | 616 | 2.22E-04 | GST04 - 2S □□□ 056C33 MDSKS□□ 056-33 200 |
| 26 | 625 | 1.5 | 6.4 | 43 | 9323 | 56 | 9324 | 55 | 572 | 2.19E-04 | GST04 - 2S □□□ 056C33 MDSKS□□ 056-33 200 |
| 29 | 568 | 1.4 | 7.04 | 47 | 9323 | 61 | 9324 | 57 | 413 | 2.26E-04 | GST04 - 2S □□□ 056C33 MDSKS□□ 056-33 200 |
| 32 | 500 | 1.3 | 8 | 53 | 9323 | 70 | 9324 | 59 | 349 | 2.26E-04 | GST04 - 2S □□□ 056C33 MDSKS□□ 056-33 200 |
| 37 | 444 | 1.2 | 9.01 | 60 | 9323 | 78 | 9324 | 63 | 352 | 2.19E-04 | GST04 - 2S □□□ 056C33 MDSKS□□ 056-33 200 |
| 40 | 406 | 1.2 | 9.856 | 66 | 9323 | 86 | 9324 | 65 | 330 | 2.17E-04 | GST04 - 2S □□□ 056C33 MDSKS□□ 056-33 200 |
| 16 | 1150 | 1.8 | 2.956 | 23 | 9323 | 30 | 9324 | 39 | 976 | 6.34E-04 | GST04 - 2S □□□ 071C03 MDSKS□□ 071-03 170 |
| 18 | 1020 | 1.7 | 3.333 | 26 | 9323 | 34 | 9324 | 42 | 839 | 6.32E-04 | GST04 - 2S □□□ 071C03 MDSKS□□ 071-03 170 |
| 22 | 839 | 1.5 | 4.053 | 32 | 9323 | 42 | 9324 | 45 | 739 | 6.31E-04 | GST04 - 2S □□□ 071C03 MDSKS□□ 071-03 170 |
| 25 | 744 | 1.4 | 4.571 | 36 | 9323 | 47 | 9324 | 48 | 639 | 6.30E-04 | GST04 - 2S □□□ 071C03 MDSKS□□ 071-03 170 |
| 29 | 655 | 1.3 | 5.187 | 40 | 9323 | 53 | 9324 | 50 | 632 | 6.22E-04 | GST04 - 2S □□□ 071C03 MDSKS□□ 071-03 170 |
| 32 | 581 | 1.3 | 5.85 | 46 | 9323 | 60 | 9324 | 53 | 546 | 6.22E-04 | GST04 - 2S □□□ 071C03 MDSKS□□ 071-03 170 |
| 35 | 531 | 1.2 | 6.4 | 50 | 9323 | 66 | 9324 | 55 | 512 | 6.19E-04 | GST04 - 2S □□□ 071C03 MDSKS□□ 071-03 170 |
| 39 | 483 | 1.1 | 7.04 | 55 | 9323 | 72 | 9324 | 57 | 373 | 6.26E-04 | GST04 - 2S □□□ 071C03 MDSKS□□ 071-03 170 |
| 44 | 425 | 1 | 8 | 62 | 9323 | 82 | 9324 | 59 | 317 | 6.26E-04 | GST04 - 2S □□□ 071C03 MDSKS□□ 071-03 170 |
| 24 | 1252 | 1.2 | 2.956 | 36 | 9324 | 49 | 9325 | 39 | 794 | 8.34E-04 | GST04 - 2S □□□ 071C13 MDSKS□□ 071-13 180 |
| 27 | 1110 | 1.2 | 3.333 | 40 | 9324 | 56 | 9325 | 42 | 686 | 8.32E-04 | GST04 - 2S □□□ 071C13 MDSKS□□ 071-13 180 |
| 33 | 913 | 1 | 4.053 | 49 | 9324 | 68 | 9325 | 45 | 628 | 8.31E-04 | GST04 - 2S □□□ 071C13 MDSKS□□ 071-13 180 |
| 5 | 1856 | 5.5 | 2.048 | 9 | 9322 | 11 | 9323 | 42 | 1856 | 1.95E-04 | GST05 - 1S □□□ 056C23 MDSKS□□ 056-23 190 |
| 6 | 1696 | 5.5 | 2.24 | 10 | 9322 | 12 | 9323 | 47 | 1696 | 1.88E-04 | GST05 - 1S □□□ 056C23 MDSKS□□ 056-23 190 |
| 8 | 1330 | 4.9 | 2.857 | 13 | 9322 | 15 | 9323 | 53 | 1330 | 1.75E-04 | GST05 - 1S □□□ 056C23 MDSKS□□ 056-23 190 |
| 9 | 1086 | 4.1 | 3.5 | 16 | 9322 | 19 | 9323 | 54 | 1086 | 1.67E-04 | GST05 - 1S □□□ 056C23 MDSKS□□ 056-23 190 |
| 12 | 834 | 3.2 | 4.556 | 21 | 9322 | 24 | 9323 | 54 | 834 | 1.58E-04 | GST05 - 1S □□□ 056C23 MDSKS□□ 056-23 190 |
| 15 | 671 | 2.5 | 5.667 | 26 | 9322 | 30 | 9323 | 54 | 671 | 1.53E-04 | GST05 - 1S □□□ 056C23 MDSKS□□ 056-23 190 |
| 20 | 518 | 1.7 | 7.333 | 33 | 9322 | 39 | 9323 | 47 | 518 | 1.46E-04 | GST05 - 1S □□□ 056C23 MDSKS□□ 056-23 190 |
| 24 | 427 | 1.3 | 8.9 | 41 | 9322 | 47 | 9323 | 42 | 427 | 1.46E-04 | GST05 - 1S □□□ 056C23 MDSKS□□ 056-23 190 |
| 8 | 1953 | 3.6 | 2.048 | 14 | 9323 | 18 | 9324 | 42 | 1775 | 2.55E-04 | GST05 - 1S □□□ 056C33 MDSKS□□ 056-33 200 |
| 9 | 1786 | 3.6 | 2.24 | 15 | 9323 | 20 | 9324 | 47 | 1684 | 2.48E-04 | GST05 - 1S □□□ 056C33 MDSKS□□ 056-33 200 |

Observe the notes for thermal dimensioning.

Selection tables - Helical gearboxes

Naturally ventilated synchronous geared servo motors



| M ₂ [Nm] | n _{2 trans} [rpm] | c | i | M _{2 max} short-time on geared motor at | | | | M _{2 Gr} gearbox c=1 n ₁ ≤ 1400 rpm [Nm] | n _{2 therm} [rpm] | J _{GM} referred to motor shaft [kgm ²] | Servo helical-geared motor Dimensions on Page 3-99 |
|------------------------|-------------------------------|------------|--------------|--|-------------|----------------------------|-------------|---|-------------------------------|--|---|
| | | | | 8 kHz | | 16 kHz | | | | | |
| | | | | M _{2 max} [Nm] | Type EVS | M _{2 max} [Nm] | Type EVS | | | | |
| 12 | 1400 | 3.2 | 2.857 | 19 | 9323 | 25 | 9324 | 53 | 1400 | 2.35E-04 | GST05 - 1S □□□ 056C33 MDSKS□□ 056-33 200 |
| 14 | 1143 | 2.7 | 3.5 | 24 | 9323 | 31 | 9324 | 54 | 1143 | 2.27E-04 | GST05 - 1S □□□ 056C33 MDSKS□□ 056-33 200 |
| 19 | 878 | 2.1 | 4.556 | 31 | 9323 | 40 | 9324 | 54 | 878 | 2.18E-04 | GST05 - 1S □□□ 056C33 MDSKS□□ 056-33 200 |
| 23 | 706 | 1.7 | 5.667 | 38 | 9323 | 50 | 9324 | 54 | 706 | 2.13E-04 | GST05 - 1S □□□ 056C33 MDSKS□□ 056-33 200 |
| 30 | 545 | 1.1 | 7.333 | 50 | 9323 | 65 | 9324 | 47 | 545 | 2.06E-04 | GST05 - 1S □□□ 056C33 MDSKS□□ 056-33 200 |
| 9 | 2125 | 3.8 | 1.6 | 13 | 9323 | 17 | 9324 | 45 | 2097 | 6.76E-04 | GST05 - 1S □□□ 071C03 MDSKS□□ 071-03 170 |
| 11 | 1660 | 3.5 | 2.048 | 16 | 9323 | 21 | 9324 | 53 | 1660 | 6.55E-04 | GST05 - 1S □□□ 071C03 MDSKS□□ 071-03 170 |
| 12 | 1518 | 3.2 | 2.24 | 18 | 9323 | 23 | 9324 | 53 | 1518 | 6.48E-04 | GST05 - 1S □□□ 071C03 MDSKS□□ 071-03 170 |
| 16 | 1190 | 2.5 | 2.857 | 23 | 9323 | 30 | 9324 | 53 | 1190 | 6.35E-04 | GST05 - 1S □□□ 071C03 MDSKS□□ 071-03 170 |
| 19 | 971 | 2.1 | 3.5 | 28 | 9323 | 37 | 9324 | 54 | 971 | 6.27E-04 | GST05 - 1S □□□ 071C03 MDSKS□□ 071-03 170 |
| 25 | 746 | 1.6 | 4.556 | 36 | 9323 | 48 | 9324 | 54 | 746 | 6.18E-04 | GST05 - 1S □□□ 071C03 MDSKS□□ 071-03 170 |
| 32 | 600 | 1.3 | 5.667 | 45 | 9323 | 59 | 9324 | 54 | 600 | 6.13E-04 | GST05 - 1S □□□ 071C03 MDSKS□□ 071-03 170 |
| 13 | 2313 | 2.5 | 1.6 | 20 | 9324 | 27 | 9325 | 45 | 1935 | 8.76E-04 | GST05 - 1S □□□ 071C13 MDSKS□□ 071-13 180 |
| 17 | 1807 | 2.3 | 2.048 | 25 | 9324 | 35 | 9325 | 53 | 1638 | 8.55E-04 | GST05 - 1S □□□ 071C13 MDSKS□□ 071-13 180 |
| 18 | 1652 | 2.1 | 2.24 | 28 | 9324 | 38 | 9325 | 53 | 1533 | 8.48E-04 | GST05 - 1S □□□ 071C13 MDSKS□□ 071-13 180 |
| 23 | 1295 | 1.7 | 2.857 | 35 | 9324 | 48 | 9325 | 53 | 1295 | 8.35E-04 | GST05 - 1S □□□ 071C13 MDSKS□□ 071-13 180 |
| 28 | 1057 | 1.4 | 3.5 | 43 | 9324 | 59 | 9325 | 54 | 1057 | 8.27E-04 | GST05 - 1S □□□ 071C13 MDSKS□□ 071-13 180 |
| 37 | 812 | 1.1 | 4.556 | 56 | 9324 | 77 | 9325 | 54 | 812 | 8.18E-04 | GST05 - 1S □□□ 071C13 MDSKS□□ 071-13 180 |
| 19 | 2250 | 1.7 | 1.6 | 38 | 9325 | 28 | 9325 | 45 | 1699 | 1.08E-03 | GST05 - 1S □□□ 071C33 MDSKS□□ 071-33 180 |
| 25 | 1758 | 1.6 | 2.048 | 48 | 9325 | 36 | 9325 | 53 | 1419 | 1.05E-03 | GST05 - 1S □□□ 071C33 MDSKS□□ 071-33 180 |
| 27 | 1607 | 1.5 | 2.24 | 53 | 9325 | 40 | 9325 | 53 | 1307 | 1.05E-03 | GST05 - 1S □□□ 071C33 MDSKS□□ 071-33 180 |
| 35 | 1260 | 1.1 | 2.857 | 68 | 9325 | 51 | 9325 | 53 | 1086 | 1.04E-03 | GST05 - 1S □□□ 071C33 MDSKS□□ 071-33 180 |
| 14 | 733 | 4.7 | 5.187 | 23 | 9322 | 27 | 9323 | 90 | 733 | 2.04E-04 | GST05 - 2S □□□ 056C23 MDSKS□□ 056-23 190 |
| 15 | 650 | 4.7 | 5.85 | 26 | 9322 | 30 | 9323 | 101 | 650 | 2.01E-04 | GST05 - 2S □□□ 056C23 MDSKS□□ 056-23 190 |
| 17 | 594 | 4.4 | 6.4 | 29 | 9322 | 33 | 9323 | 105 | 594 | 1.93E-04 | GST05 - 2S □□□ 056C23 MDSKS□□ 056-23 190 |
| 19 | 525 | 4 | 7.238 | 33 | 9322 | 38 | 9323 | 108 | 525 | 1.80E-04 | GST05 - 2S □□□ 056C23 MDSKS□□ 056-23 190 |
| 22 | 466 | 3.8 | 8.163 | 37 | 9322 | 43 | 9323 | 115 | 466 | 1.79E-04 | GST05 - 2S □□□ 056C23 MDSKS□□ 056-23 190 |
| 24 | 422 | 3.6 | 9.01 | 41 | 9322 | 47 | 9323 | 119 | 403 | 1.94E-04 | GST05 - 2S □□□ 056C23 MDSKS□□ 056-23 190 |
| 27 | 380 | 3.4 | 10 | 45 | 9322 | 52 | 9323 | 124 | 380 | 1.70E-04 | GST05 - 2S □□□ 056C23 MDSKS□□ 056-23 190 |
| 30 | 339 | 3.1 | 11.2 | 50 | 9322 | 58 | 9323 | 128 | 327 | 1.86E-04 | GST05 - 2S □□□ 056C23 MDSKS□□ 056-23 190 |
| 35 | 292 | 2.8 | 13.016 | 59 | 9322 | 68 | 9323 | 137 | 292 | 1.58E-04 | GST05 - 2S □□□ 056C23 MDSKS□□ 056-23 190 |
| 38 | 265 | 2.6 | 14.356 | 65 | 9322 | 75 | 9323 | 140 | 265 | 1.53E-04 | GST05 - 2S □□□ 056C23 MDSKS□□ 056-23 190 |
| 43 | 235 | 2.8 | 16.19 | 73 | 9322 | 84 | 9323 | 148 | 235 | 1.53E-04 | GST05 - 2S □□□ 056C23 MDSKS□□ 056-23 190 |
| 47 | 217 | 2.5 | 17.5 | 79 | 9322 | 91 | 9323 | 142 | 217 | 1.67E-04 | GST05 - 2S □□□ 056C23 MDSKS□□ 056-23 190 |

Observe the notes for thermal dimensioning.

Selection tables - Helical gearboxes

Naturally ventilated synchronous geared servo motors

| M ₂ [Nm] | n ₂ trans [rpm] | c | i | M ₂ max short-time on geared motor at | | | | M ₂ Gr gearbox c=1 n ₁ ≤ 1400 rpm [Nm] | n ₂ therm [rpm] | J _{GM} referred to motor shaft [kgm ²] | Servo helical- geared motor Dimensions on Page 3-99 |
|------------------------|-------------------------------|-----|--------|---|-------------|----------------------------|-------------|--|-------------------------------|---|--|
| | | | | 8 kHz | | 16 kHz | | | | | |
| | | | | M ₂ max [Nm] | Type EVS | M ₂ max [Nm] | Type EVS | | | | |
| 54 | 190 | 2.4 | 20.044 | 90 | 9322 | 104 | 9323 | 159 | 190 | 1.56E-04 | GST05 - 2S □□□ 056C23 MDSKS□□ 056-23 190 |
| 61 | 167 | 1.9 | 22.778 | 102 | 9322 | 119 | 9323 | 144 | 167 | 1.56E-04 | GST05 - 2S □□□ 056C23 MDSKS□□ 056-23 190 |
| 67 | 152 | 2 | 24.933 | 112 | 9322 | 130 | 9323 | 162 | 152 | 1.52E-04 | GST05 - 2S □□□ 056C23 MDSKS□□ 056-23 190 |
| 77 | 134 | 1.6 | 28.333 | 127 | 9322 | 147 | 9323 | 147 | 134 | 1.52E-04 | GST05 - 2S □□□ 056C23 MDSKS□□ 056-23 190 |
| 87 | 118 | 1.6 | 32.267 | 145 | 9322 | 168 | 9323 | 164 | 118 | 1.48E-04 | GST05 - 2S □□□ 056C23 MDSKS□□ 056-23 190 |
| 99 | 104 | 1.2 | 36.667 | 165 | 9322 | 191 | 9323 | 148 | 104 | 1.48E-04 | GST05 - 2S □□□ 056C23 MDSKS□□ 056-23 190 |
| 106 | 97 | 1.3 | 39.16 | 176 | 9322 | 204 | 9323 | 165 | 97 | 1.46E-04 | GST05 - 2S □□□ 056C23 MDSKS□□ 056-23 190 |
| 121 | 85 | 1.1 | 44.5 | 200 | 9322 | 224 | 9323 | 149 | 85 | 1.46E-04 | GST05 - 2S □□□ 056C23 MDSKS□□ 056-23 190 |
| 21 | 771 | 3.1 | 5.187 | 35 | 9323 | 45 | 9324 | 90 | 681 | 2.64E-04 | GST05 - 2S □□□ 056C33 MDSKS□□ 056-33 200 |
| 23 | 684 | 3.1 | 5.85 | 39 | 9323 | 51 | 9324 | 101 | 604 | 2.61E-04 | GST05 - 2S □□□ 056C33 MDSKS□□ 056-33 200 |
| 26 | 625 | 2.9 | 6.4 | 43 | 9323 | 56 | 9324 | 105 | 567 | 2.53E-04 | GST05 - 2S □□□ 056C33 MDSKS□□ 056-33 200 |
| 29 | 553 | 2.6 | 7.238 | 48 | 9323 | 63 | 9324 | 108 | 553 | 2.40E-04 | GST05 - 2S □□□ 056C33 MDSKS□□ 056-33 200 |
| 33 | 490 | 2.5 | 8.163 | 55 | 9323 | 71 | 9324 | 115 | 490 | 2.39E-04 | GST05 - 2S □□□ 056C33 MDSKS□□ 056-33 200 |
| 36 | 444 | 2.3 | 9.01 | 60 | 9323 | 78 | 9324 | 119 | 373 | 2.54E-04 | GST05 - 2S □□□ 056C33 MDSKS□□ 056-33 200 |
| 40 | 400 | 2.2 | 10 | 67 | 9323 | 87 | 9324 | 124 | 400 | 2.30E-04 | GST05 - 2S □□□ 056C33 MDSKS□□ 056-33 200 |
| 45 | 357 | 2 | 11.2 | 75 | 9323 | 97 | 9324 | 128 | 303 | 2.46E-04 | GST05 - 2S □□□ 056C33 MDSKS□□ 056-33 200 |
| 53 | 307 | 1.9 | 13.016 | 87 | 9323 | 113 | 9324 | 137 | 307 | 2.18E-04 | GST05 - 2S □□□ 056C33 MDSKS□□ 056-33 200 |
| 58 | 279 | 1.7 | 14.356 | 96 | 9323 | 125 | 9324 | 140 | 279 | 2.13E-04 | GST05 - 2S □□□ 056C33 MDSKS□□ 056-33 200 |
| 65 | 247 | 1.8 | 16.19 | 108 | 9323 | 141 | 9324 | 148 | 247 | 2.13E-04 | GST05 - 2S □□□ 056C33 MDSKS□□ 056-33 200 |
| 71 | 229 | 1.6 | 17.5 | 117 | 9323 | 152 | 9324 | 142 | 229 | 2.27E-04 | GST05 - 2S □□□ 056C33 MDSKS□□ 056-33 200 |
| 81 | 200 | 1.6 | 20.044 | 134 | 9323 | 174 | 9324 | 159 | 200 | 2.16E-04 | GST05 - 2S □□□ 056C33 MDSKS□□ 056-33 200 |
| 93 | 176 | 1.3 | 22.778 | 152 | 9323 | 198 | 9324 | 144 | 176 | 2.16E-04 | GST05 - 2S □□□ 056C33 MDSKS□□ 056-33 200 |
| 101 | 160 | 1.3 | 24.933 | 166 | 9323 | 217 | 9324 | 162 | 160 | 2.12E-04 | GST05 - 2S □□□ 056C33 MDSKS□□ 056-33 200 |
| 115 | 141 | 1 | 28.333 | 189 | 9323 | 221 | 9324 | 147 | 141 | 2.12E-04 | GST05 - 2S □□□ 056C33 MDSKS□□ 056-33 200 |
| 131 | 124 | 1 | 32.267 | 215 | 9323 | 246 | 9324 | 164 | 124 | 2.08E-04 | GST05 - 2S □□□ 056C33 MDSKS□□ 056-33 200 |
| 16 | 1150 | 2.9 | 2.956 | 23 | 9323 | 30 | 9324 | 63 | 918 | 6.99E-04 | GST05 - 2S □□□ 071C03 MDSKS□□ 071-03 170 |
| 18 | 1020 | 3.2 | 3.333 | 26 | 9323 | 34 | 9324 | 78 | 830 | 6.94E-04 | GST05 - 2S □□□ 071C03 MDSKS□□ 071-03 170 |
| 22 | 839 | 2.8 | 4.053 | 32 | 9323 | 42 | 9324 | 81 | 778 | 6.90E-04 | GST05 - 2S □□□ 071C03 MDSKS□□ 071-03 170 |
| 25 | 744 | 2.8 | 4.571 | 36 | 9323 | 47 | 9324 | 91 | 689 | 6.86E-04 | GST05 - 2S □□□ 071C03 MDSKS□□ 071-03 170 |
| 28 | 655 | 2.4 | 5.187 | 40 | 9323 | 53 | 9324 | 90 | 650 | 6.64E-04 | GST05 - 2S □□□ 071C03 MDSKS□□ 071-03 170 |
| 32 | 581 | 2.4 | 5.85 | 46 | 9323 | 60 | 9324 | 101 | 576 | 6.61E-04 | GST05 - 2S □□□ 071C03 MDSKS□□ 071-03 170 |
| 35 | 531 | 2.3 | 6.4 | 50 | 9323 | 66 | 9324 | 105 | 531 | 6.53E-04 | GST05 - 2S □□□ 071C03 MDSKS□□ 071-03 170 |
| 40 | 470 | 2.1 | 7.238 | 56 | 9323 | 74 | 9324 | 108 | 470 | 6.40E-04 | GST05 - 2S □□□ 071C03 MDSKS□□ 071-03 170 |
| 45 | 417 | 1.9 | 8.163 | 63 | 9323 | 84 | 9324 | 115 | 417 | 6.39E-04 | GST05 - 2S □□□ 071C03 MDSKS□□ 071-03 170 |

Observe the notes for thermal dimensioning.

Selection tables - Helical gearboxes

Naturally ventilated synchronous geared servo motors



| M ₂ [Nm] | n ₂ trans [rpm] | c | i | M ₂ max short-time on geared motor at | | | | M ₂ Gr gearbox c=1 n ₁ ≤ 1400 rpm [Nm] | n ₂ therm [rpm] | J _{GM} referred to motor shaft [kgm ²] | Servo helical- geared motor Dimensions on Page 3-99 |
|------------------------|-------------------------------|------------|---------------|---|-------------|----------------------------|-------------|--|-------------------------------|---|--|
| | | | | 8 kHz | | 16 kHz | | | | | |
| | | | | M ₂ max [Nm] | Type EVS | M ₂ max [Nm] | Type EVS | | | | |
| 49 | 377 | 1.8 | 9.01 | 70 | 9323 | 93 | 9324 | 119 | 346 | 6.54E-04 | GST05 - 2S □□□ 071C03 MDSKS□□ 071-03 170 |
| 55 | 340 | 1.7 | 10 | 78 | 9323 | 103 | 9324 | 124 | 340 | 6.30E-04 | GST05 - 2S □□□ 071C03 MDSKS□□ 071-03 170 |
| 62 | 304 | 1.6 | 11.2 | 87 | 9323 | 115 | 9324 | 128 | 270 | 6.46E-04 | GST05 - 2S □□□ 071C03 MDSKS□□ 071-03 170 |
| 72 | 261 | 1.5 | 13.016 | 101 | 9323 | 134 | 9324 | 137 | 261 | 6.18E-04 | GST05 - 2S □□□ 071C03 MDSKS□□ 071-03 170 |
| 79 | 237 | 1.3 | 14.356 | 112 | 9323 | 148 | 9324 | 140 | 237 | 6.13E-04 | GST05 - 2S □□□ 071C03 MDSKS□□ 071-03 170 |
| 89 | 210 | 1.4 | 16.19 | 126 | 9323 | 166 | 9324 | 148 | 210 | 6.13E-04 | GST05 - 2S □□□ 071C03 MDSKS□□ 071-03 170 |
| 97 | 194 | 1.3 | 17.5 | 136 | 9323 | 180 | 9324 | 142 | 194 | 6.27E-04 | GST05 - 2S □□□ 071C03 MDSKS□□ 071-03 170 |
| 111 | 170 | 1.2 | 20.044 | 156 | 9323 | 206 | 9324 | 159 | 170 | 6.16E-04 | GST05 - 2S □□□ 071C03 MDSKS□□ 071-03 170 |
| 138 | 136 | 1 | 24.933 | 194 | 9323 | 243 | 9324 | 162 | 136 | 6.12E-04 | GST05 - 2S □□□ 071C03 MDSKS□□ 071-03 170 |
| 24 | 1252 | 2 | 2.956 | 36 | 9324 | 49 | 9325 | 63 | 840 | 8.99E-04 | GST05 - 2S □□□ 071C13 MDSKS□□ 071-13 180 |
| 27 | 1110 | 2.2 | 3.333 | 40 | 9324 | 56 | 9325 | 78 | 761 | 8.94E-04 | GST05 - 2S □□□ 071C13 MDSKS□□ 071-13 180 |
| 32 | 913 | 1.8 | 4.053 | 49 | 9324 | 68 | 9325 | 81 | 697 | 8.90E-04 | GST05 - 2S □□□ 071C13 MDSKS□□ 071-13 180 |
| 36 | 809 | 1.8 | 4.571 | 55 | 9324 | 76 | 9325 | 91 | 617 | 8.86E-04 | GST05 - 2S □□□ 071C13 MDSKS□□ 071-13 180 |
| 42 | 713 | 1.6 | 5.187 | 63 | 9324 | 86 | 9325 | 90 | 562 | 8.64E-04 | GST05 - 2S □□□ 071C13 MDSKS□□ 071-13 180 |
| 47 | 632 | 1.6 | 5.85 | 71 | 9324 | 98 | 9325 | 101 | 498 | 8.61E-04 | GST05 - 2S □□□ 071C13 MDSKS□□ 071-13 180 |
| 51 | 578 | 1.5 | 6.4 | 77 | 9324 | 107 | 9325 | 105 | 464 | 8.53E-04 | GST05 - 2S □□□ 071C13 MDSKS□□ 071-13 180 |
| 58 | 511 | 1.4 | 7.238 | 87 | 9324 | 121 | 9325 | 108 | 465 | 8.40E-04 | GST05 - 2S □□□ 071C13 MDSKS□□ 071-13 180 |
| 66 | 453 | 1.3 | 8.163 | 99 | 9324 | 136 | 9325 | 115 | 401 | 8.39E-04 | GST05 - 2S □□□ 071C13 MDSKS□□ 071-13 180 |
| 72 | 411 | 1.2 | 9.01 | 109 | 9324 | 150 | 9325 | 119 | 286 | 8.54E-04 | GST05 - 2S □□□ 071C13 MDSKS□□ 071-13 180 |
| 80 | 370 | 1.1 | 10 | 121 | 9324 | 167 | 9325 | 124 | 353 | 8.30E-04 | GST05 - 2S □□□ 071C13 MDSKS□□ 071-13 180 |
| 90 | 330 | 1 | 11.2 | 135 | 9324 | 187 | 9325 | 128 | 229 | 8.46E-04 | GST05 - 2S □□□ 071C13 MDSKS□□ 071-13 180 |
| 35 | 1218 | 1.3 | 2.956 | 69 | 9325 | 52 | 9325 | 63 | 683 | 1.10E-03 | GST05 - 2S □□□ 071C33 MDSKS□□ 071-33 180 |
| 40 | 1080 | 1.5 | 3.333 | 78 | 9325 | 58 | 9325 | 78 | 634 | 1.09E-03 | GST05 - 2S □□□ 071C33 MDSKS□□ 071-33 180 |
| 48 | 888 | 1.3 | 4.053 | 94 | 9325 | 71 | 9325 | 81 | 568 | 1.09E-03 | GST05 - 2S □□□ 071C33 MDSKS□□ 071-33 180 |
| 54 | 788 | 1.3 | 4.571 | 106 | 9325 | 80 | 9325 | 91 | 503 | 1.09E-03 | GST05 - 2S □□□ 071C33 MDSKS□□ 071-33 180 |
| 62 | 694 | 1.1 | 5.187 | 121 | 9325 | 90 | 9325 | 90 | 475 | 1.06E-03 | GST05 - 2S □□□ 071C33 MDSKS□□ 071-33 180 |
| 70 | 615 | 1.1 | 5.85 | 136 | 9325 | 102 | 9325 | 101 | 421 | 1.06E-03 | GST05 - 2S □□□ 071C33 MDSKS□□ 071-33 180 |
| 76 | 563 | 1 | 6.4 | 149 | 9325 | 112 | 9325 | 105 | 397 | 1.05E-03 | GST05 - 2S □□□ 071C33 MDSKS□□ 071-33 180 |
| 97 | 105 | 1.2 | 36.267 | 161 | 9322 | 186 | 9323 | 134 | 105 | 1.59E-04 | GST05 - 3S □□□ 056C23 MDSKS□□ 056-23 190 |
| 124 | 82 | 1.1 | 46.259 | 205 | 9322 | 218 | 9323 | 145 | 82 | 1.54E-04 | GST05 - 3S □□□ 056C23 MDSKS□□ 056-23 190 |
| 8 | 1330 | 5.5 | 2.857 | 13 | 9322 | 15 | 9323 | 59 | 1330 | 2.37E-04 | GST06 - 1S □□□ 056C23 MDSKS□□ 056-23 190 |
| 12 | 834 | 4.6 | 4.556 | 21 | 9322 | 24 | 9323 | 79 | 834 | 1.88E-04 | GST06 - 1S □□□ 056C23 MDSKS□□ 056-23 190 |
| 15 | 671 | 3.9 | 5.667 | 26 | 9322 | 30 | 9323 | 82 | 671 | 1.76E-04 | GST06 - 1S □□□ 056C23 MDSKS□□ 056-23 190 |
| 20 | 518 | 3.5 | 7.333 | 33 | 9322 | 39 | 9323 | 95 | 518 | 1.63E-04 | GST06 - 1S □□□ 056C23 MDSKS□□ 056-23 190 |

Observe the notes for thermal dimensioning.



Selection tables - Helical gearboxes

Naturally ventilated synchronous geared servo motors

| M ₂ [Nm] | n ₂ trans [rpm] | c | i | M ₂ max short-time on geared motor at | | | | M ₂ Gr gearbox c=1 n ₁ ≤ 1400 rpm [Nm] | n ₂ therm [rpm] | J _{GM} referred to motor shaft [kgm ²] | Servo helical- geared motor Dimensions on Page 3-99 |
|------------------------|-------------------------------|------------|--------------|---|-------------|----------------------------|-------------|--|-------------------------------|---|--|
| | | | | 8 kHz | | 16 kHz | | | | | |
| | | | | M ₂ max [Nm] | Type EVS | M ₂ max [Nm] | Type EVS | | | | |
| 24 | 427 | 2.5 | 8.9 | 41 | 9322 | 47 | 9323 | 85 | 427 | 1.57E-04 | GST06 - 1S □□□ 056C23 MDSKS□□ 056-23 190 |
| 31 | 338 | 1.5 | 11.25 | 51 | 9322 | 59 | 9323 | 63 | 338 | 1.51E-04 | GST06 - 1S □□□ 056C23 MDSKS□□ 056-23 190 |
| 12 | 1400 | 3.6 | 2.857 | 19 | 9323 | 25 | 9324 | 59 | 1285 | 2.97E-04 | GST06 - 1S □□□ 056C33 MDSKS□□ 056-33 200 |
| 18 | 878 | 3 | 4.556 | 31 | 9323 | 40 | 9324 | 79 | 878 | 2.48E-04 | GST06 - 1S □□□ 056C33 MDSKS□□ 056-33 200 |
| 23 | 706 | 2.5 | 5.667 | 38 | 9323 | 50 | 9324 | 82 | 706 | 2.36E-04 | GST06 - 1S □□□ 056C33 MDSKS□□ 056-33 200 |
| 30 | 545 | 2.3 | 7.333 | 50 | 9323 | 65 | 9324 | 95 | 545 | 2.23E-04 | GST06 - 1S □□□ 056C33 MDSKS□□ 056-33 200 |
| 37 | 449 | 1.7 | 8.9 | 60 | 9323 | 79 | 9324 | 85 | 449 | 2.17E-04 | GST06 - 1S □□□ 056C33 MDSKS□□ 056-33 200 |
| 11 | 1660 | 4.8 | 2.048 | 16 | 9323 | 21 | 9324 | 72 | 1660 | 7.46E-04 | GST06 - 1S □□□ 071C03 MDSKS□□ 071-03 170 |
| 12 | 1518 | 4.8 | 2.24 | 18 | 9323 | 23 | 9324 | 79 | 1518 | 7.27E-04 | GST06 - 1S □□□ 071C03 MDSKS□□ 071-03 170 |
| 15 | 1190 | 4.4 | 2.857 | 23 | 9323 | 30 | 9324 | 92 | 1190 | 6.97E-04 | GST06 - 1S □□□ 071C03 MDSKS□□ 071-03 170 |
| 19 | 971 | 4.1 | 3.5 | 28 | 9323 | 37 | 9324 | 105 | 971 | 6.74E-04 | GST06 - 1S □□□ 071C03 MDSKS□□ 071-03 170 |
| 25 | 746 | 3.1 | 4.556 | 36 | 9323 | 48 | 9324 | 105 | 746 | 6.48E-04 | GST06 - 1S □□□ 071C03 MDSKS□□ 071-03 170 |
| 31 | 600 | 2.5 | 5.667 | 45 | 9323 | 59 | 9324 | 105 | 600 | 6.36E-04 | GST06 - 1S □□□ 071C03 MDSKS□□ 071-03 170 |
| 41 | 464 | 1.9 | 7.333 | 58 | 9323 | 77 | 9324 | 100 | 464 | 6.23E-04 | GST06 - 1S □□□ 071C03 MDSKS□□ 071-03 170 |
| 50 | 382 | 1.3 | 8.9 | 70 | 9323 | 93 | 9324 | 85 | 382 | 6.17E-04 | GST06 - 1S □□□ 071C03 MDSKS□□ 071-03 170 |
| 16 | 1807 | 3.2 | 2.048 | 25 | 9324 | 35 | 9325 | 72 | 1534 | 9.46E-04 | GST06 - 1S □□□ 071C13 MDSKS□□ 071-13 180 |
| 18 | 1652 | 3.2 | 2.24 | 28 | 9324 | 38 | 9325 | 79 | 1448 | 9.27E-04 | GST06 - 1S □□□ 071C13 MDSKS□□ 071-13 180 |
| 23 | 1295 | 2.9 | 2.857 | 35 | 9324 | 48 | 9325 | 92 | 1238 | 8.97E-04 | GST06 - 1S □□□ 071C13 MDSKS□□ 071-13 180 |
| 28 | 1057 | 2.7 | 3.5 | 43 | 9324 | 59 | 9325 | 105 | 1057 | 8.74E-04 | GST06 - 1S □□□ 071C13 MDSKS□□ 071-13 180 |
| 37 | 812 | 2.1 | 4.556 | 56 | 9324 | 77 | 9325 | 105 | 812 | 8.48E-04 | GST06 - 1S □□□ 071C13 MDSKS□□ 071-13 180 |
| 46 | 653 | 1.7 | 5.667 | 70 | 9324 | 96 | 9325 | 105 | 653 | 8.36E-04 | GST06 - 1S □□□ 071C13 MDSKS□□ 071-13 180 |
| 60 | 505 | 1.2 | 7.333 | 90 | 9324 | 124 | 9325 | 100 | 505 | 8.23E-04 | GST06 - 1S □□□ 071C13 MDSKS□□ 071-13 180 |
| 25 | 1758 | 2.2 | 2.048 | 48 | 9325 | 36 | 9325 | 72 | 1414 | 1.15E-03 | GST06 - 1S □□□ 071C33 MDSKS□□ 071-33 180 |
| 27 | 1607 | 2.2 | 2.24 | 53 | 9325 | 40 | 9325 | 79 | 1338 | 1.13E-03 | GST06 - 1S □□□ 071C33 MDSKS□□ 071-33 180 |
| 34 | 1260 | 2 | 2.857 | 68 | 9325 | 51 | 9325 | 92 | 1158 | 1.10E-03 | GST06 - 1S □□□ 071C33 MDSKS□□ 071-33 180 |
| 42 | 1029 | 1.8 | 3.5 | 83 | 9325 | 62 | 9325 | 105 | 1029 | 1.07E-03 | GST06 - 1S □□□ 071C33 MDSKS□□ 071-33 180 |
| 55 | 790 | 1.4 | 4.556 | 108 | 9325 | 81 | 9325 | 105 | 790 | 1.05E-03 | GST06 - 1S □□□ 071C33 MDSKS□□ 071-33 180 |
| 69 | 635 | 1.1 | 5.667 | 134 | 9325 | 100 | 9325 | 105 | 635 | 1.04E-03 | GST06 - 1S □□□ 071C33 MDSKS□□ 071-33 180 |
| 21 | 466 | 5.5 | 8.163 | 37 | 9322 | 43 | 9323 | 167 | 466 | 2.46E-04 | GST06 - 2S □□□ 056C23 MDSKS□□ 056-23 190 |
| 33 | 302 | 5.5 | 12.571 | 57 | 9322 | 65 | 9323 | 256 | 302 | 2.36E-04 | GST06 - 2S □□□ 056C23 MDSKS□□ 056-23 190 |
| 37 | 266 | 5.5 | 14.286 | 64 | 9322 | 74 | 9323 | 291 | 266 | 2.33E-04 | GST06 - 2S □□□ 056C23 MDSKS□□ 056-23 190 |
| 52 | 190 | 5.2 | 20.044 | 90 | 9322 | 104 | 9323 | 340 | 190 | 1.86E-04 | GST06 - 2S □□□ 056C23 MDSKS□□ 056-23 190 |
| 60 | 167 | 4.2 | 22.778 | 102 | 9322 | 119 | 9323 | 315 | 167 | 1.85E-04 | GST06 - 2S □□□ 056C23 MDSKS□□ 056-23 190 |
| 65 | 152 | 4.4 | 24.933 | 112 | 9322 | 130 | 9323 | 357 | 152 | 1.73E-04 | GST06 - 2S □□□ 056C23 MDSKS□□ 056-23 190 |

Observe the notes for thermal dimensioning.

Selection tables - Helical gearboxes

Naturally ventilated synchronous geared servo motors



| M ₂ [Nm] | n ₂ trans [rpm] | c | i | M ₂ max short-time on geared motor at | | | | M ₂ Gr gearbox c=1 n ₁ ≤ 1400 rpm [Nm] | n ₂ therm [rpm] | J _{GM} referred to motor shaft [kgm ²] | Servo helical-geared motor Dimensions on Page 3-99 |
|------------------------|-------------------------------|-----|--------|--|----------|-------------------------|----------|---|-------------------------------|--|---|
| | | | | 8 kHz | | 16 kHz | | | | | |
| | | | | M ₂ max [Nm] | Type EVS | M ₂ max [Nm] | Type EVS | | | | |
| 75 | 134 | 3.4 | 28.333 | 127 | 9322 | 147 | 9323 | 317 | 134 | 1.73E-04 | GST06 - 2S □□□ 056C23 MDSKS□□ 056-23 190 |
| 85 | 118 | 3.5 | 32.267 | 145 | 9322 | 168 | 9323 | 363 | 118 | 1.62E-04 | GST06 - 2S □□□ 056C23 MDSKS□□ 056-23 190 |
| 98 | 104 | 2.7 | 36.667 | 165 | 9322 | 191 | 9323 | 322 | 104 | 1.62E-04 | GST06 - 2S □□□ 056C23 MDSKS□□ 056-23 190 |
| 104 | 97 | 2.9 | 39.16 | 176 | 9322 | 204 | 9323 | 368 | 97 | 1.56E-04 | GST06 - 2S □□□ 056C23 MDSKS□□ 056-23 190 |
| 119 | 85 | 2.5 | 44.5 | 200 | 9322 | 231 | 9323 | 325 | 85 | 1.56E-04 | GST06 - 2S □□□ 056C23 MDSKS□□ 056-23 190 |
| 133 | 77 | 1.9 | 49.5 | 222 | 9322 | 257 | 9323 | 278 | 77 | 1.51E-04 | GST06 - 2S □□□ 056C23 MDSKS□□ 056-23 190 |
| 151 | 68 | 1.9 | 56.25 | 253 | 9322 | 293 | 9323 | 316 | 68 | 1.51E-04 | GST06 - 2S □□□ 056C23 MDSKS□□ 056-23 190 |
| 32 | 490 | 3.6 | 8.163 | 55 | 9323 | 71 | 9324 | 167 | 450 | 3.06E-04 | GST06 - 2S □□□ 056C33 MDSKS□□ 056-33 200 |
| 50 | 318 | 3.6 | 12.571 | 84 | 9323 | 109 | 9324 | 256 | 292 | 2.96E-04 | GST06 - 2S □□□ 056C33 MDSKS□□ 056-33 200 |
| 57 | 280 | 3.6 | 14.286 | 95 | 9323 | 124 | 9324 | 291 | 257 | 2.93E-04 | GST06 - 2S □□□ 056C33 MDSKS□□ 056-33 200 |
| 80 | 200 | 3.4 | 20.044 | 134 | 9323 | 174 | 9324 | 340 | 200 | 2.46E-04 | GST06 - 2S □□□ 056C33 MDSKS□□ 056-33 200 |
| 91 | 176 | 2.8 | 22.778 | 152 | 9323 | 198 | 9324 | 315 | 176 | 2.45E-04 | GST06 - 2S □□□ 056C33 MDSKS□□ 056-33 200 |
| 100 | 160 | 2.9 | 24.933 | 166 | 9323 | 217 | 9324 | 357 | 160 | 2.33E-04 | GST06 - 2S □□□ 056C33 MDSKS□□ 056-33 200 |
| 114 | 141 | 2.3 | 28.333 | 189 | 9323 | 246 | 9324 | 317 | 141 | 2.33E-04 | GST06 - 2S □□□ 056C33 MDSKS□□ 056-33 200 |
| 130 | 124 | 2.3 | 32.267 | 215 | 9323 | 281 | 9324 | 363 | 124 | 2.22E-04 | GST06 - 2S □□□ 056C33 MDSKS□□ 056-33 200 |
| 148 | 109 | 1.8 | 36.667 | 245 | 9323 | 319 | 9324 | 322 | 109 | 2.22E-04 | GST06 - 2S □□□ 056C33 MDSKS□□ 056-33 200 |
| 158 | 102 | 1.9 | 39.16 | 261 | 9323 | 340 | 9324 | 368 | 102 | 2.16E-04 | GST06 - 2S □□□ 056C33 MDSKS□□ 056-33 200 |
| 180 | 90 | 1.6 | 44.5 | 297 | 9323 | 387 | 9324 | 325 | 90 | 2.16E-04 | GST06 - 2S □□□ 056C33 MDSKS□□ 056-33 200 |
| 201 | 81 | 1.3 | 49.5 | 330 | 9323 | 417 | 9324 | 278 | 81 | 2.11E-04 | GST06 - 2S □□□ 056C33 MDSKS□□ 056-33 200 |
| 229 | 71 | 1.3 | 56.25 | 376 | 9323 | 473 | 9324 | 316 | 71 | 2.11E-04 | GST06 - 2S □□□ 056C33 MDSKS□□ 056-33 200 |
| 28 | 639 | 5.4 | 5.324 | 41 | 9323 | 55 | 9324 | 207 | 639 | 7.76E-04 | GST06 - 2S □□□ 071C03 MDSKS□□ 071-03 170 |
| 31 | 581 | 5.2 | 5.85 | 46 | 9323 | 60 | 9324 | 222 | 581 | 7.71E-04 | GST06 - 2S □□□ 071C03 MDSKS□□ 071-03 170 |
| 34 | 531 | 4.9 | 6.4 | 50 | 9323 | 66 | 9324 | 229 | 531 | 7.47E-04 | GST06 - 2S □□□ 071C03 MDSKS□□ 071-03 170 |
| 44 | 417 | 4.2 | 8.163 | 63 | 9323 | 84 | 9324 | 252 | 417 | 7.06E-04 | GST06 - 2S □□□ 071C03 MDSKS□□ 071-03 170 |
| 48 | 377 | 4 | 9.01 | 70 | 9323 | 93 | 9324 | 261 | 364 | 7.50E-04 | GST06 - 2S □□□ 071C03 MDSKS□□ 071-03 170 |
| 54 | 340 | 3.7 | 10 | 78 | 9323 | 103 | 9324 | 269 | 340 | 6.82E-04 | GST06 - 2S □□□ 071C03 MDSKS□□ 071-03 170 |
| 60 | 304 | 3.4 | 11.2 | 87 | 9323 | 115 | 9324 | 280 | 294 | 7.26E-04 | GST06 - 2S □□□ 071C03 MDSKS□□ 071-03 170 |
| 68 | 270 | 3.2 | 12.571 | 98 | 9323 | 129 | 9324 | 295 | 270 | 6.96E-04 | GST06 - 2S □□□ 071C03 MDSKS□□ 071-03 170 |
| 77 | 238 | 3 | 14.286 | 111 | 9323 | 147 | 9324 | 307 | 238 | 6.93E-04 | GST06 - 2S □□□ 071C03 MDSKS□□ 071-03 170 |
| 83 | 221 | 3.2 | 15.4 | 120 | 9323 | 158 | 9324 | 318 | 221 | 6.75E-04 | GST06 - 2S □□□ 071C03 MDSKS□□ 071-03 170 |
| 95 | 194 | 2.8 | 17.5 | 136 | 9323 | 180 | 9324 | 313 | 194 | 6.73E-04 | GST06 - 2S □□□ 071C03 MDSKS□□ 071-03 170 |
| 109 | 170 | 2.7 | 20.044 | 156 | 9323 | 206 | 9324 | 350 | 170 | 6.46E-04 | GST06 - 2S □□□ 071C03 MDSKS□□ 071-03 170 |
| 124 | 149 | 2.2 | 22.778 | 177 | 9323 | 234 | 9324 | 315 | 149 | 6.45E-04 | GST06 - 2S □□□ 071C03 MDSKS□□ 071-03 170 |
| 136 | 136 | 2.3 | 24.933 | 194 | 9323 | 256 | 9324 | 360 | 136 | 6.33E-04 | GST06 - 2S □□□ 071C03 MDSKS□□ 071-03 170 |

Observe the notes for thermal dimensioning.

Selection tables - Helical gearboxes

Naturally ventilated synchronous geared servo motors

| M ₂ [Nm] | n ₂ trans [rpm] | c | i | M ₂ max short-time on geared motor at | | | | M ₂ Gr gearbox c=1 n ₁ ≤ 1400 rpm [Nm] | n ₂ therm [rpm] | J _{GM} referred to motor shaft [kgm ²] | Servo helical- geared motor Dimensions on Page 3-99 |
|------------------------|-------------------------------|-----|--------|---|-------------|----------------------------|-------------|--|-------------------------------|---|--|
| | | | | 8 kHz | | 16 kHz | | | | | |
| | | | | M ₂ max [Nm] | Type EVS | M ₂ max [Nm] | Type EVS | | | | |
| 155 | 120 | 1.8 | 28.333 | 220 | 9323 | 291 | 9324 | 317 | 120 | 6.33E-04 | GST06 - 2S □□□ 071C03 MDSKS□□ 071-03 170 |
| 177 | 105 | 1.8 | 32.267 | 251 | 9323 | 332 | 9324 | 363 | 105 | 6.22E-04 | GST06 - 2S □□□ 071C03 MDSKS□□ 071-03 170 |
| 202 | 93 | 1.4 | 36.667 | 285 | 9323 | 377 | 9324 | 322 | 93 | 6.22E-04 | GST06 - 2S □□□ 071C03 MDSKS□□ 071-03 170 |
| 216 | 87 | 1.5 | 39.16 | 304 | 9323 | 402 | 9324 | 368 | 87 | 6.16E-04 | GST06 - 2S □□□ 071C03 MDSKS□□ 071-03 170 |
| 245 | 76 | 1.3 | 44.5 | 346 | 9323 | 457 | 9324 | 325 | 76 | 6.16E-04 | GST06 - 2S □□□ 071C03 MDSKS□□ 071-03 170 |
| 42 | 695 | 3.6 | 5.324 | 64 | 9324 | 89 | 9325 | 207 | 603 | 9.76E-04 | GST06 - 2S □□□ 071C13 MDSKS□□ 071-13 180 |
| 46 | 632 | 3.5 | 5.85 | 71 | 9324 | 98 | 9325 | 222 | 546 | 9.71E-04 | GST06 - 2S □□□ 071C13 MDSKS□□ 071-13 180 |
| 50 | 578 | 3.3 | 6.4 | 77 | 9324 | 107 | 9325 | 229 | 511 | 9.47E-04 | GST06 - 2S □□□ 071C13 MDSKS□□ 071-13 180 |
| 64 | 453 | 2.8 | 8.163 | 99 | 9324 | 136 | 9325 | 252 | 431 | 9.06E-04 | GST06 - 2S □□□ 071C13 MDSKS□□ 071-13 180 |
| 71 | 411 | 2.7 | 9.01 | 109 | 9324 | 150 | 9325 | 261 | 335 | 9.50E-04 | GST06 - 2S □□□ 071C13 MDSKS□□ 071-13 180 |
| 79 | 370 | 2.5 | 10 | 121 | 9324 | 167 | 9325 | 269 | 370 | 8.82E-04 | GST06 - 2S □□□ 071C13 MDSKS□□ 071-13 180 |
| 89 | 330 | 2.3 | 11.2 | 135 | 9324 | 187 | 9325 | 280 | 271 | 9.26E-04 | GST06 - 2S □□□ 071C13 MDSKS□□ 071-13 180 |
| 100 | 294 | 2.2 | 12.571 | 152 | 9324 | 209 | 9325 | 295 | 266 | 8.96E-04 | GST06 - 2S □□□ 071C13 MDSKS□□ 071-13 180 |
| 114 | 259 | 2 | 14.286 | 173 | 9324 | 238 | 9325 | 307 | 230 | 8.93E-04 | GST06 - 2S □□□ 071C13 MDSKS□□ 071-13 180 |
| 123 | 240 | 2.2 | 15.4 | 186 | 9324 | 257 | 9325 | 318 | 240 | 8.75E-04 | GST06 - 2S □□□ 071C13 MDSKS□□ 071-13 180 |
| 140 | 211 | 1.9 | 17.5 | 211 | 9324 | 292 | 9325 | 313 | 211 | 8.73E-04 | GST06 - 2S □□□ 071C13 MDSKS□□ 071-13 180 |
| 160 | 185 | 1.8 | 20.044 | 242 | 9324 | 334 | 9325 | 350 | 185 | 8.46E-04 | GST06 - 2S □□□ 071C13 MDSKS□□ 071-13 180 |
| 183 | 162 | 1.4 | 22.778 | 275 | 9324 | 379 | 9325 | 315 | 162 | 8.45E-04 | GST06 - 2S □□□ 071C13 MDSKS□□ 071-13 180 |
| 200 | 148 | 1.5 | 24.933 | 301 | 9324 | 415 | 9325 | 360 | 148 | 8.33E-04 | GST06 - 2S □□□ 071C13 MDSKS□□ 071-13 180 |
| 228 | 131 | 1.2 | 28.333 | 342 | 9324 | 472 | 9325 | 317 | 131 | 8.33E-04 | GST06 - 2S □□□ 071C13 MDSKS□□ 071-13 180 |
| 259 | 115 | 1.2 | 32.267 | 390 | 9324 | 538 | 9325 | 363 | 115 | 8.22E-04 | GST06 - 2S □□□ 071C13 MDSKS□□ 071-13 180 |
| 63 | 676 | 2.4 | 5.324 | 124 | 9325 | 93 | 9325 | 207 | 557 | 1.18E-03 | GST06 - 2S □□□ 071C33 MDSKS□□ 071-33 180 |
| 69 | 615 | 2.4 | 5.85 | 136 | 9325 | 102 | 9325 | 222 | 504 | 1.17E-03 | GST06 - 2S □□□ 071C33 MDSKS□□ 071-33 180 |
| 75 | 563 | 2.2 | 6.4 | 149 | 9325 | 112 | 9325 | 229 | 472 | 1.15E-03 | GST06 - 2S □□□ 071C33 MDSKS□□ 071-33 180 |
| 96 | 441 | 1.9 | 8.163 | 190 | 9325 | 142 | 9325 | 252 | 398 | 1.11E-03 | GST06 - 2S □□□ 071C33 MDSKS□□ 071-33 180 |
| 107 | 400 | 1.8 | 9.01 | 210 | 9325 | 157 | 9325 | 261 | 299 | 1.15E-03 | GST06 - 2S □□□ 071C33 MDSKS□□ 071-33 180 |
| 118 | 360 | 1.7 | 10 | 233 | 9325 | 174 | 9325 | 269 | 356 | 1.08E-03 | GST06 - 2S □□□ 071C33 MDSKS□□ 071-33 180 |
| 133 | 321 | 1.6 | 11.2 | 261 | 9325 | 195 | 9325 | 280 | 231 | 1.13E-03 | GST06 - 2S □□□ 071C33 MDSKS□□ 071-33 180 |
| 149 | 286 | 1.5 | 12.571 | 293 | 9325 | 219 | 9325 | 295 | 226 | 1.10E-03 | GST06 - 2S □□□ 071C33 MDSKS□□ 071-33 180 |
| 170 | 252 | 1.3 | 14.286 | 333 | 9325 | 249 | 9325 | 307 | 191 | 1.09E-03 | GST06 - 2S □□□ 071C33 MDSKS□□ 071-33 180 |
| 183 | 234 | 1.5 | 15.4 | 358 | 9325 | 268 | 9325 | 318 | 215 | 1.07E-03 | GST06 - 2S □□□ 071C33 MDSKS□□ 071-33 180 |
| 208 | 206 | 1.3 | 17.5 | 407 | 9325 | 305 | 9325 | 313 | 176 | 1.07E-03 | GST06 - 2S □□□ 071C33 MDSKS□□ 071-33 180 |
| 239 | 180 | 1.2 | 20.044 | 467 | 9325 | 349 | 9325 | 350 | 180 | 1.05E-03 | GST06 - 2S □□□ 071C33 MDSKS□□ 071-33 180 |
| 297 | 144 | 1 | 24.933 | 540 | 9325 | 435 | 9325 | 360 | 144 | 1.03E-03 | GST06 - 2S □□□ 071C33 MDSKS□□ 071-33 180 |

Observe the notes for thermal dimensioning.

Selection tables - Helical gearboxes

Naturally ventilated synchronous geared servo motors



| M ₂ [Nm] | n _{2 trans} [rpm] | c | i | M _{2 max} short-time on geared motor at | | | | M _{2 Gr} gearbox c=1 n ₁ ≤ 1400 rpm [Nm] | n _{2 therm} [rpm] | J _{GM} referred to motor shaft [kgm ²] | Servo helical-geared motor Dimensions on Page 3-99 |
|------------------------|-------------------------------|-----|---------|--|-------------|----------------------------|-------------|---|-------------------------------|--|---|
| | | | | 8 kHz | | 16 kHz | | | | | |
| | | | | M _{2 max} [Nm] | Type EVS | M _{2 max} [Nm] | Type EVS | | | | |
| 103 | 97 | 2.6 | 39.2 | 174 | 9322 | 201 | 9323 | 321 | 97 | 1.76E-04 | GST06 - 3S □□□ 056C23 MDSKS□□ 056-23 190 |
| 116 | 86 | 2.6 | 44 | 195 | 9322 | 225 | 9323 | 335 | 86 | 1.60E-04 | GST06 - 3S □□□ 056C23 MDSKS□□ 056-23 190 |
| 135 | 74 | 2.2 | 51.022 | 226 | 9322 | 261 | 9323 | 325 | 74 | 1.72E-04 | GST06 - 3S □□□ 056C23 MDSKS□□ 056-23 190 |
| 142 | 71 | 2.2 | 53.9 | 239 | 9322 | 276 | 9323 | 349 | 71 | 1.58E-04 | GST06 - 3S □□□ 056C23 MDSKS□□ 056-23 190 |
| 180 | 56 | 1.9 | 67.76 | 300 | 9322 | 347 | 9323 | 365 | 56 | 1.51E-04 | GST06 - 3S □□□ 056C23 MDSKS□□ 056-23 190 |
| 186 | 54 | 1.8 | 70.156 | 310 | 9322 | 359 | 9323 | 359 | 54 | 1.56E-04 | GST06 - 3S □□□ 056C23 MDSKS□□ 056-23 190 |
| 216 | 47 | 1.4 | 80.952 | 358 | 9322 | 415 | 9323 | 332 | 47 | 1.60E-04 | GST06 - 3S □□□ 056C23 MDSKS□□ 056-23 190 |
| 232 | 44 | 1.5 | 87.267 | 386 | 9322 | 447 | 9323 | 370 | 44 | 1.55E-04 | GST06 - 3S □□□ 056C23 MDSKS□□ 056-23 190 |
| 265 | 38 | 1.2 | 99.167 | 439 | 9322 | 503 | 9323 | 336 | 38 | 1.55E-04 | GST06 - 3S □□□ 056C23 MDSKS□□ 056-23 190 |
| 293 | 35 | 1.2 | 109.707 | 485 | 9322 | 562 | 9323 | 375 | 35 | 1.50E-04 | GST06 - 3S □□□ 056C23 MDSKS□□ 056-23 190 |
| 156 | 102 | 1.7 | 39.2 | 258 | 9323 | 336 | 9324 | 321 | 102 | 2.36E-04 | GST06 - 3S □□□ 056C33 MDSKS□□ 056-33 200 |
| 175 | 91 | 1.7 | 44 | 289 | 9323 | 377 | 9324 | 335 | 91 | 2.20E-04 | GST06 - 3S □□□ 056C33 MDSKS□□ 056-33 200 |
| 204 | 78 | 1.4 | 51.022 | 336 | 9323 | 437 | 9324 | 325 | 78 | 2.32E-04 | GST06 - 3S □□□ 056C33 MDSKS□□ 056-33 200 |
| 215 | 74 | 1.5 | 53.9 | 354 | 9323 | 462 | 9324 | 349 | 74 | 2.18E-04 | GST06 - 3S □□□ 056C33 MDSKS□□ 056-33 200 |
| 271 | 59 | 1.2 | 67.76 | 446 | 9323 | 548 | 9324 | 365 | 59 | 2.11E-04 | GST06 - 3S □□□ 056C33 MDSKS□□ 056-33 200 |
| 281 | 57 | 1.2 | 70.156 | 461 | 9323 | 538 | 9324 | 359 | 57 | 2.16E-04 | GST06 - 3S □□□ 056C33 MDSKS□□ 056-33 200 |
| 213 | 87 | 1.3 | 39.2 | 300 | 9323 | 397 | 9324 | 321 | 87 | 6.36E-04 | GST06 - 3S □□□ 071C03 MDSKS□□ 071-03 170 |
| 239 | 77 | 1.3 | 44 | 337 | 9323 | 445 | 9324 | 335 | 77 | 6.20E-04 | GST06 - 3S □□□ 071C03 MDSKS□□ 071-03 170 |
| 278 | 67 | 1.1 | 51.022 | 391 | 9323 | 488 | 9324 | 325 | 67 | 6.32E-04 | GST06 - 3S □□□ 071C03 MDSKS□□ 071-03 170 |
| 293 | 63 | 1.1 | 53.9 | 413 | 9323 | 523 | 9324 | 349 | 63 | 6.18E-04 | GST06 - 3S □□□ 071C03 MDSKS□□ 071-03 170 |
| 20 | 518 | 3.9 | 7.333 | 33 | 9322 | 39 | 9323 | 107 | 518 | 2.06E-04 | GST07 - 1S □□□ 056C23 MDSKS□□ 056-23 190 |
| 24 | 427 | 3.4 | 8.9 | 41 | 9322 | 47 | 9323 | 113 | 427 | 1.89E-04 | GST07 - 1S □□□ 056C23 MDSKS□□ 056-23 190 |
| 30 | 338 | 2.7 | 11.25 | 51 | 9322 | 59 | 9323 | 114 | 338 | 1.72E-04 | GST07 - 1S □□□ 056C23 MDSKS□□ 056-23 190 |
| 30 | 545 | 2.5 | 7.333 | 50 | 9323 | 65 | 9324 | 107 | 545 | 2.66E-04 | GST07 - 1S □□□ 056C33 MDSKS□□ 056-33 200 |
| 36 | 449 | 2.2 | 8.9 | 60 | 9323 | 79 | 9324 | 113 | 449 | 2.49E-04 | GST07 - 1S □□□ 056C33 MDSKS□□ 056-33 200 |
| 46 | 356 | 1.8 | 11.25 | 76 | 9323 | 99 | 9324 | 114 | 356 | 2.32E-04 | GST07 - 1S □□□ 056C33 MDSKS□□ 056-33 200 |
| 15 | 1190 | 5.6 | 2.857 | 23 | 9323 | 30 | 9324 | 118 | 1190 | 8.69E-04 | GST07 - 1S □□□ 071C03 MDSKS□□ 071-03 170 |
| 25 | 746 | 4.5 | 4.556 | 36 | 9323 | 48 | 9324 | 150 | 746 | 7.37E-04 | GST07 - 1S □□□ 071C03 MDSKS□□ 071-03 170 |
| 30 | 609 | 3.8 | 5.583 | 44 | 9323 | 58 | 9324 | 156 | 609 | 7.05E-04 | GST07 - 1S □□□ 071C03 MDSKS□□ 071-03 170 |
| 40 | 464 | 3 | 7.333 | 58 | 9323 | 77 | 9324 | 161 | 464 | 6.66E-04 | GST07 - 1S □□□ 071C03 MDSKS□□ 071-03 170 |
| 49 | 382 | 2.5 | 8.9 | 70 | 9323 | 93 | 9324 | 164 | 382 | 6.49E-04 | GST07 - 1S □□□ 071C03 MDSKS□□ 071-03 170 |
| 63 | 302 | 1.6 | 11.25 | 89 | 9323 | 117 | 9324 | 136 | 302 | 6.32E-04 | GST07 - 1S □□□ 071C03 MDSKS□□ 071-03 170 |
| 23 | 1295 | 3.8 | 2.857 | 35 | 9324 | 48 | 9325 | 118 | 1142 | 1.07E-03 | GST07 - 1S □□□ 071C13 MDSKS□□ 071-13 180 |
| 36 | 812 | 3 | 4.556 | 56 | 9324 | 77 | 9325 | 150 | 812 | 9.37E-04 | GST07 - 1S □□□ 071C13 MDSKS□□ 071-13 180 |

Observe the notes for thermal dimensioning.

Selection tables - Helical gearboxes

Naturally ventilated synchronous geared servo motors

| M ₂ [Nm] | n ₂ trans [rpm] | c | i | M ₂ max short-time on geared motor at | | | | M ₂ Gr gearbox c=1 n ₁ ≤ 1400 rpm [Nm] | n ₂ therm [rpm] | J _{GM} referred to motor shaft [kgm ²] | Servo helical- geared motor Dimensions on Page 3-99 |
|------------------------|-------------------------------|------------|---------------|---|-------------|----------------------------|-------------|--|-------------------------------|---|--|
| | | | | 8 kHz | | 16 kHz | | | | | |
| | | | | M ₂ max [Nm] | Type EVS | M ₂ max [Nm] | Type EVS | | | | |
| 45 | 663 | 2.5 | 5.583 | 69 | 9324 | 94 | 9325 | 156 | 663 | 9.05E-04 | GST07 - 1S □□□ 071C13 MDSKS□□ 071-13 180 |
| 59 | 505 | 2 | 7.333 | 90 | 9324 | 124 | 9325 | 161 | 505 | 8.66E-04 | GST07 - 1S □□□ 071C13 MDSKS□□ 071-13 180 |
| 72 | 416 | 1.7 | 8.9 | 109 | 9324 | 151 | 9325 | 164 | 416 | 8.49E-04 | GST07 - 1S □□□ 071C13 MDSKS□□ 071-13 180 |
| 92 | 329 | 1.1 | 11.25 | 138 | 9324 | 190 | 9325 | 136 | 329 | 8.32E-04 | GST07 - 1S □□□ 071C13 MDSKS□□ 071-13 180 |
| 34 | 1260 | 2.6 | 2.857 | 68 | 9325 | 51 | 9325 | 118 | 1056 | 1.27E-03 | GST07 - 1S □□□ 071C33 MDSKS□□ 071-33 180 |
| 55 | 790 | 2 | 4.556 | 108 | 9325 | 81 | 9325 | 150 | 790 | 1.14E-03 | GST07 - 1S □□□ 071C33 MDSKS□□ 071-33 180 |
| 67 | 645 | 1.7 | 5.583 | 132 | 9325 | 99 | 9325 | 156 | 645 | 1.11E-03 | GST07 - 1S □□□ 071C33 MDSKS□□ 071-33 180 |
| 89 | 491 | 1.4 | 7.333 | 173 | 9325 | 130 | 9325 | 161 | 491 | 1.07E-03 | GST07 - 1S □□□ 071C33 MDSKS□□ 071-33 180 |
| 108 | 404 | 1.1 | 8.9 | 210 | 9325 | 157 | 9325 | 164 | 404 | 1.05E-03 | GST07 - 1S □□□ 071C33 MDSKS□□ 071-33 180 |
| 85 | 118 | 4.4 | 32.267 | 145 | 9322 | 168 | 9323 | 461 | 118 | 2.06E-04 | GST07 - 2S □□□ 056C23 MDSKS□□ 056-23 190 |
| 96 | 104 | 4.4 | 36.667 | 165 | 9322 | 191 | 9323 | 524 | 104 | 2.05E-04 | GST07 - 2S □□□ 056C23 MDSKS□□ 056-23 190 |
| 103 | 97 | 3.8 | 39.16 | 176 | 9322 | 204 | 9323 | 491 | 97 | 1.89E-04 | GST07 - 2S □□□ 056C23 MDSKS□□ 056-23 190 |
| 117 | 85 | 4.3 | 44.5 | 200 | 9322 | 231 | 9323 | 558 | 85 | 1.88E-04 | GST07 - 2S □□□ 056C23 MDSKS□□ 056-23 190 |
| 131 | 77 | 3.4 | 49.5 | 222 | 9322 | 257 | 9323 | 493 | 77 | 1.73E-04 | GST07 - 2S □□□ 056C23 MDSKS□□ 056-23 190 |
| 149 | 68 | 3.4 | 56.25 | 253 | 9322 | 293 | 9323 | 560 | 68 | 1.73E-04 | GST07 - 2S □□□ 056C23 MDSKS□□ 056-23 190 |
| 129 | 124 | 2.9 | 32.267 | 215 | 9323 | 281 | 9324 | 461 | 124 | 2.66E-04 | GST07 - 2S □□□ 056C33 MDSKS□□ 056-33 200 |
| 147 | 109 | 2.9 | 36.667 | 245 | 9323 | 319 | 9324 | 524 | 109 | 2.65E-04 | GST07 - 2S □□□ 056C33 MDSKS□□ 056-33 200 |
| 157 | 102 | 2.5 | 39.16 | 261 | 9323 | 340 | 9324 | 491 | 102 | 2.49E-04 | GST07 - 2S □□□ 056C33 MDSKS□□ 056-33 200 |
| 178 | 90 | 2.8 | 44.5 | 297 | 9323 | 387 | 9324 | 558 | 90 | 2.48E-04 | GST07 - 2S □□□ 056C33 MDSKS□□ 056-33 200 |
| 199 | 81 | 2.2 | 49.5 | 330 | 9323 | 430 | 9324 | 493 | 81 | 2.33E-04 | GST07 - 2S □□□ 056C33 MDSKS□□ 056-33 200 |
| 226 | 71 | 2.2 | 56.25 | 376 | 9323 | 489 | 9324 | 560 | 71 | 2.33E-04 | GST07 - 2S □□□ 056C33 MDSKS□□ 056-33 200 |
| 66 | 270 | 5.6 | 12.571 | 98 | 9323 | 129 | 9324 | 513 | 270 | 8.86E-04 | GST07 - 2S □□□ 071C03 MDSKS□□ 071-03 170 |
| 75 | 238 | 5.6 | 14.286 | 111 | 9323 | 147 | 9324 | 583 | 238 | 8.79E-04 | GST07 - 2S □□□ 071C03 MDSKS□□ 071-03 170 |
| 106 | 170 | 5.1 | 20.044 | 156 | 9323 | 206 | 9324 | 650 | 170 | 7.38E-04 | GST07 - 2S □□□ 071C03 MDSKS□□ 071-03 170 |
| 121 | 149 | 4.7 | 22.778 | 177 | 9323 | 234 | 9324 | 682 | 149 | 7.35E-04 | GST07 - 2S □□□ 071C03 MDSKS□□ 071-03 170 |
| 131 | 138 | 4.3 | 24.567 | 191 | 9323 | 252 | 9324 | 677 | 138 | 7.02E-04 | GST07 - 2S □□□ 071C03 MDSKS□□ 071-03 170 |
| 150 | 122 | 3.9 | 27.917 | 217 | 9323 | 287 | 9324 | 691 | 122 | 7.01E-04 | GST07 - 2S □□□ 071C03 MDSKS□□ 071-03 170 |
| 174 | 105 | 3.4 | 32.267 | 251 | 9323 | 332 | 9324 | 698 | 105 | 6.66E-04 | GST07 - 2S □□□ 071C03 MDSKS□□ 071-03 170 |
| 199 | 93 | 3 | 36.667 | 285 | 9323 | 377 | 9324 | 702 | 93 | 6.65E-04 | GST07 - 2S □□□ 071C03 MDSKS□□ 071-03 170 |
| 213 | 87 | 2.8 | 39.16 | 304 | 9323 | 402 | 9324 | 706 | 87 | 6.49E-04 | GST07 - 2S □□□ 071C03 MDSKS□□ 071-03 170 |
| 242 | 76 | 2.8 | 44.5 | 346 | 9323 | 457 | 9324 | 707 | 76 | 6.48E-04 | GST07 - 2S □□□ 071C03 MDSKS□□ 071-03 170 |
| 271 | 69 | 2.1 | 49.5 | 385 | 9323 | 509 | 9324 | 600 | 69 | 6.33E-04 | GST07 - 2S □□□ 071C03 MDSKS□□ 071-03 170 |
| 307 | 60 | 2.1 | 56.25 | 437 | 9323 | 578 | 9324 | 688 | 60 | 6.33E-04 | GST07 - 2S □□□ 071C03 MDSKS□□ 071-03 170 |
| 98 | 294 | 3.8 | 12.571 | 152 | 9324 | 209 | 9325 | 513 | 260 | 1.09E-03 | GST07 - 2S □□□ 071C13 MDSKS□□ 071-13 180 |

Observe the notes for thermal dimensioning.

Selection tables - Helical gearboxes

Naturally ventilated synchronous geared servo motors



| M ₂ [Nm] | n _{2 trans} [rpm] | c | i | M _{2 max} short-time on geared motor at | | | | M _{2 Gr} gearbox c=1 n ₁ ≤ 1400 rpm [Nm] | n _{2 therm} [rpm] | J _{GM} referred to motor shaft [kgm ²] | Servo helical-geared motor Dimensions on Page 3-99 |
|------------------------|-------------------------------|------------|-------------|--|-------------|----------------------------|-------------|---|-------------------------------|--|---|
| | | | | 8 kHz | | 16 kHz | | | | | |
| | | | | M _{2 max} [Nm] | Type EVS | M _{2 max} [Nm] | Type EVS | | | | |
| 112 | 259 | 3.8 | 14.286 | 173 | 9324 | 238 | 9325 | 583 | 228 | 1.08E-03 | GST07 - 2S □□□ 071C13 MDSKS□□ 071-13 180 |
| 157 | 185 | 3.4 | 20.044 | 242 | 9324 | 334 | 9325 | 650 | 185 | 9.38E-04 | GST07 - 2S □□□ 071C13 MDSKS□□ 071-13 180 |
| 179 | 162 | 3.1 | 22.778 | 275 | 9324 | 379 | 9325 | 682 | 162 | 9.35E-04 | GST07 - 2S □□□ 071C13 MDSKS□□ 071-13 180 |
| 194 | 151 | 2.9 | 24.567 | 297 | 9324 | 409 | 9325 | 677 | 151 | 9.02E-04 | GST07 - 2S □□□ 071C13 MDSKS□□ 071-13 180 |
| 221 | 133 | 2.6 | 27.917 | 337 | 9324 | 465 | 9325 | 691 | 133 | 9.01E-04 | GST07 - 2S □□□ 071C13 MDSKS□□ 071-13 180 |
| 256 | 115 | 2.3 | 32.267 | 390 | 9324 | 538 | 9325 | 698 | 115 | 8.66E-04 | GST07 - 2S □□□ 071C13 MDSKS□□ 071-13 180 |
| 292 | 101 | 2 | 36.667 | 443 | 9324 | 611 | 9325 | 702 | 101 | 8.65E-04 | GST07 - 2S □□□ 071C13 MDSKS□□ 071-13 180 |
| 312 | 94 | 1.9 | 39.16 | 473 | 9324 | 652 | 9325 | 706 | 94 | 8.49E-04 | GST07 - 2S □□□ 071C13 MDSKS□□ 071-13 180 |
| 355 | 83 | 1.8 | 44.5 | 538 | 9324 | 741 | 9325 | 707 | 83 | 8.48E-04 | GST07 - 2S □□□ 071C13 MDSKS□□ 071-13 180 |
| 397 | 75 | 1.4 | 49.5 | 598 | 9324 | 825 | 9325 | 600 | 75 | 8.33E-04 | GST07 - 2S □□□ 071C13 MDSKS□□ 071-13 180 |
| 451 | 66 | 1.4 | 56.25 | 680 | 9324 | 937 | 9325 | 688 | 66 | 8.33E-04 | GST07 - 2S □□□ 071C13 MDSKS□□ 071-13 180 |
| 148 | 286 | 2.6 | 12.571 | 293 | 9325 | 219 | 9325 | 513 | 240 | 1.29E-03 | GST07 - 2S □□□ 071C33 MDSKS□□ 071-33 180 |
| 168 | 252 | 2.6 | 14.286 | 333 | 9325 | 249 | 9325 | 583 | 211 | 1.28E-03 | GST07 - 2S □□□ 071C33 MDSKS□□ 071-33 180 |
| 236 | 180 | 2.3 | 20.044 | 467 | 9325 | 349 | 9325 | 650 | 180 | 1.14E-03 | GST07 - 2S □□□ 071C33 MDSKS□□ 071-33 180 |
| 269 | 158 | 2.1 | 22.778 | 530 | 9325 | 397 | 9325 | 682 | 158 | 1.14E-03 | GST07 - 2S □□□ 071C33 MDSKS□□ 071-33 180 |
| 290 | 147 | 2 | 24.567 | 572 | 9325 | 428 | 9325 | 677 | 147 | 1.10E-03 | GST07 - 2S □□□ 071C33 MDSKS□□ 071-33 180 |
| 331 | 129 | 1.8 | 27.917 | 650 | 9325 | 487 | 9325 | 691 | 129 | 1.10E-03 | GST07 - 2S □□□ 071C33 MDSKS□□ 071-33 180 |
| 383 | 112 | 1.5 | 32.267 | 751 | 9325 | 562 | 9325 | 698 | 112 | 1.07E-03 | GST07 - 2S □□□ 071C33 MDSKS□□ 071-33 180 |
| 436 | 98 | 1.4 | 36.667 | 853 | 9325 | 639 | 9325 | 702 | 98 | 1.07E-03 | GST07 - 2S □□□ 071C33 MDSKS□□ 071-33 180 |
| 466 | 92 | 1.3 | 39.16 | 912 | 9325 | 682 | 9325 | 706 | 92 | 1.05E-03 | GST07 - 2S □□□ 071C33 MDSKS□□ 071-33 180 |
| 530 | 81 | 1.3 | 44.5 | 1036 | 9325 | 775 | 9325 | 707 | 81 | 1.05E-03 | GST07 - 2S □□□ 071C33 MDSKS□□ 071-33 180 |
| 100 | 97 | 5.5 | 39.2 | 174 | 9322 | 201 | 9323 | 692 | 97 | 2.37E-04 | GST07 - 3S □□□ 056C23 MDSKS□□ 056-23 190 |
| 112 | 86 | 5.5 | 44 | 195 | 9322 | 225 | 9323 | 706 | 86 | 1.93E-04 | GST07 - 3S □□□ 056C23 MDSKS□□ 056-23 190 |
| 131 | 74 | 4.7 | 51.022 | 226 | 9322 | 261 | 9323 | 700 | 74 | 2.24E-04 | GST07 - 3S □□□ 056C23 MDSKS□□ 056-23 190 |
| 139 | 71 | 4.5 | 53.9 | 239 | 9322 | 276 | 9323 | 706 | 71 | 1.88E-04 | GST07 - 3S □□□ 056C23 MDSKS□□ 056-23 190 |
| 169 | 58 | 3.8 | 65.079 | 288 | 9322 | 333 | 9323 | 707 | 58 | 1.71E-04 | GST07 - 3S □□□ 056C23 MDSKS□□ 056-23 190 |
| 183 | 54 | 3.5 | 70.156 | 310 | 9322 | 359 | 9323 | 706 | 54 | 1.83E-04 | GST07 - 3S □□□ 056C23 MDSKS□□ 056-23 190 |
| 209 | 48 | 3.1 | 79.762 | 353 | 9322 | 409 | 9323 | 710 | 48 | 1.94E-04 | GST07 - 3S □□□ 056C23 MDSKS□□ 056-23 190 |
| 226 | 44 | 2.8 | 85.983 | 381 | 9322 | 440 | 9323 | 706 | 44 | 1.80E-04 | GST07 - 3S □□□ 056C23 MDSKS□□ 056-23 190 |
| 257 | 39 | 2.5 | 97.708 | 432 | 9322 | 501 | 9323 | 710 | 39 | 1.80E-04 | GST07 - 3S □□□ 056C23 MDSKS□□ 056-23 190 |
| 296 | 34 | 2.2 | 111.915 | 495 | 9322 | 573 | 9323 | 706 | 34 | 1.64E-04 | GST07 - 3S □□□ 056C23 MDSKS□□ 056-23 190 |
| 337 | 30 | 1.9 | 127.176 | 563 | 9322 | 651 | 9323 | 710 | 30 | 1.64E-04 | GST07 - 3S □□□ 056C23 MDSKS□□ 056-23 190 |
| 370 | 27 | 1.8 | 139.211 | 616 | 9322 | 713 | 9323 | 706 | 27 | 1.57E-04 | GST07 - 3S □□□ 056C23 MDSKS□□ 056-23 190 |
| 421 | 24 | 1.6 | 158.194 | 700 | 9322 | 810 | 9323 | 710 | 24 | 1.57E-04 | GST07 - 3S □□□ 056C23 MDSKS□□ 056-23 190 |

Observe the notes for thermal dimensioning.

Selection tables - Helical gearboxes

Naturally ventilated synchronous geared servo motors

| M ₂ [Nm] | n ₂ trans [rpm] | c | i | M ₂ max short-time on geared motor at | | | | M ₂ Gr gearbox c=1 n ₁ ≤ 1400 rpm [Nm] | n ₂ therm [rpm] | J _{GM} referred to motor shaft [kgm ²] | Servo helical- geared motor Dimensions on Page 3-99 |
|------------------------|-------------------------------|-----|---------|---|-------------|----------------------------|-------------|--|-------------------------------|---|--|
| | | | | 8 kHz | | 16 kHz | | | | | |
| | | | | M ₂ max [Nm] | Type EVS | M ₂ max [Nm] | Type EVS | | | | |
| 480 | 21 | 1.4 | 180.156 | 797 | 9322 | 923 | 9323 | 706 | 21 | 1.51E-04 | GST07 - 3S □□□ 056C23 MDSKS□□ 056-23 190 |
| 547 | 19 | 1.2 | 204.722 | 906 | 9322 | 1049 | 9323 | 710 | 19 | 1.51E-04 | GST07 - 3S □□□ 056C23 MDSKS□□ 056-23 190 |
| 633 | 16 | 1 | 236.622 | 1047 | 9322 | 1059 | 9323 | 706 | 16 | 1.50E-04 | GST07 - 3S □□□ 056C23 MDSKS□□ 056-23 190 |
| 153 | 102 | 3.6 | 39.2 | 258 | 9323 | 336 | 9324 | 692 | 102 | 2.97E-04 | GST07 - 3S □□□ 056C33 MDSKS□□ 056-33 200 |
| 172 | 91 | 3.6 | 44 | 289 | 9323 | 377 | 9324 | 706 | 91 | 2.53E-04 | GST07 - 3S □□□ 056C33 MDSKS□□ 056-33 200 |
| 200 | 78 | 3.1 | 51.022 | 336 | 9323 | 437 | 9324 | 700 | 78 | 2.84E-04 | GST07 - 3S □□□ 056C33 MDSKS□□ 056-33 200 |
| 212 | 74 | 3 | 53.9 | 354 | 9323 | 462 | 9324 | 706 | 74 | 2.48E-04 | GST07 - 3S □□□ 056C33 MDSKS□□ 056-33 200 |
| 257 | 61 | 2.5 | 65.079 | 428 | 9323 | 557 | 9324 | 707 | 61 | 2.31E-04 | GST07 - 3S □□□ 056C33 MDSKS□□ 056-33 200 |
| 278 | 57 | 2.3 | 70.156 | 461 | 9323 | 601 | 9324 | 706 | 57 | 2.43E-04 | GST07 - 3S □□□ 056C33 MDSKS□□ 056-33 200 |
| 317 | 50 | 2 | 79.762 | 524 | 9323 | 683 | 9324 | 710 | 50 | 2.54E-04 | GST07 - 3S □□□ 056C33 MDSKS□□ 056-33 200 |
| 342 | 47 | 1.9 | 85.983 | 565 | 9323 | 736 | 9324 | 706 | 47 | 2.40E-04 | GST07 - 3S □□□ 056C33 MDSKS□□ 056-33 200 |
| 390 | 41 | 1.6 | 97.708 | 642 | 9323 | 837 | 9324 | 710 | 41 | 2.40E-04 | GST07 - 3S □□□ 056C33 MDSKS□□ 056-33 200 |
| 447 | 36 | 1.4 | 111.915 | 736 | 9323 | 958 | 9324 | 706 | 36 | 2.24E-04 | GST07 - 3S □□□ 056C33 MDSKS□□ 056-33 200 |
| 509 | 31 | 1.3 | 127.176 | 836 | 9323 | 1065 | 9324 | 710 | 31 | 2.24E-04 | GST07 - 3S □□□ 056C33 MDSKS□□ 056-33 200 |
| 558 | 29 | 1.1 | 139.211 | 915 | 9323 | 1059 | 9324 | 706 | 29 | 2.17E-04 | GST07 - 3S □□□ 056C33 MDSKS□□ 056-33 200 |
| 635 | 25 | 1 | 158.194 | 1040 | 9323 | 1065 | 9324 | 710 | 25 | 2.17E-04 | GST07 - 3S □□□ 056C33 MDSKS□□ 056-33 200 |
| 210 | 87 | 2.8 | 39.2 | 300 | 9323 | 397 | 9324 | 692 | 87 | 6.97E-04 | GST07 - 3S □□□ 071C03 MDSKS□□ 071-03 170 |
| 235 | 77 | 2.8 | 44 | 337 | 9323 | 445 | 9324 | 706 | 77 | 6.53E-04 | GST07 - 3S □□□ 071C03 MDSKS□□ 071-03 170 |
| 274 | 67 | 2.4 | 51.022 | 391 | 9323 | 516 | 9324 | 700 | 67 | 6.84E-04 | GST07 - 3S □□□ 071C03 MDSKS□□ 071-03 170 |
| 290 | 63 | 2.3 | 53.9 | 413 | 9323 | 546 | 9324 | 706 | 63 | 6.48E-04 | GST07 - 3S □□□ 071C03 MDSKS□□ 071-03 170 |
| 351 | 52 | 1.9 | 65.079 | 498 | 9323 | 659 | 9324 | 707 | 52 | 6.31E-04 | GST07 - 3S □□□ 071C03 MDSKS□□ 071-03 170 |
| 379 | 48 | 1.8 | 70.156 | 537 | 9323 | 710 | 9324 | 706 | 48 | 6.43E-04 | GST07 - 3S □□□ 071C03 MDSKS□□ 071-03 170 |
| 432 | 43 | 1.6 | 79.762 | 611 | 9323 | 807 | 9324 | 710 | 43 | 6.54E-04 | GST07 - 3S □□□ 071C03 MDSKS□□ 071-03 170 |
| 466 | 40 | 1.4 | 85.983 | 658 | 9323 | 870 | 9324 | 706 | 40 | 6.40E-04 | GST07 - 3S □□□ 071C03 MDSKS□□ 071-03 170 |
| 531 | 35 | 1.3 | 97.708 | 748 | 9323 | 989 | 9324 | 710 | 35 | 6.40E-04 | GST07 - 3S □□□ 071C03 MDSKS□□ 071-03 170 |
| 609 | 30 | 1.1 | 111.915 | 857 | 9323 | 1059 | 9324 | 706 | 30 | 6.24E-04 | GST07 - 3S □□□ 071C03 MDSKS□□ 071-03 170 |
| 308 | 94 | 1.9 | 39.2 | 466 | 9324 | 643 | 9325 | 692 | 94 | 8.97E-04 | GST07 - 3S □□□ 071C13 MDSKS□□ 071-13 180 |
| 346 | 84 | 1.9 | 44 | 524 | 9324 | 722 | 9325 | 706 | 84 | 8.53E-04 | GST07 - 3S □□□ 071C13 MDSKS□□ 071-13 180 |
| 402 | 73 | 1.6 | 51.022 | 607 | 9324 | 837 | 9325 | 700 | 73 | 8.84E-04 | GST07 - 3S □□□ 071C13 MDSKS□□ 071-13 180 |
| 425 | 69 | 1.5 | 53.9 | 641 | 9324 | 884 | 9325 | 706 | 69 | 8.48E-04 | GST07 - 3S □□□ 071C13 MDSKS□□ 071-13 180 |
| 515 | 57 | 1.3 | 65.079 | 774 | 9324 | 1061 | 9325 | 707 | 57 | 8.31E-04 | GST07 - 3S □□□ 071C13 MDSKS□□ 071-13 180 |
| 555 | 53 | 1.2 | 70.156 | 835 | 9324 | 1059 | 9325 | 706 | 53 | 8.43E-04 | GST07 - 3S □□□ 071C13 MDSKS□□ 071-13 180 |
| 632 | 46 | 1 | 79.762 | 949 | 9324 | 1065 | 9325 | 710 | 46 | 8.54E-04 | GST07 - 3S □□□ 071C13 MDSKS□□ 071-13 180 |
| 459 | 92 | 1.3 | 39.2 | 899 | 9325 | 673 | 9325 | 692 | 92 | 1.10E-03 | GST07 - 3S □□□ 071C33 MDSKS□□ 071-33 180 |

Observe the notes for thermal dimensioning.

Selection tables - Helical gearboxes

Naturally ventilated synchronous geared servo motors



| M ₂ [Nm] | n ₂ trans [rpm] | c | i | M ₂ max short-time on geared motor at | | | | M ₂ Gr gearbox c=1 n ₁ ≤ 1400 rpm [Nm] | n ₂ therm [rpm] | J _{GM} referred to motor shaft [kgm ²] | Servo helical- geared motor Dimensions on Page 3-99 |
|------------------------|-------------------------------|-----|---------|---|-------------|----------------------------|-------------|--|-------------------------------|---|--|
| | | | | 8 kHz | | 16 kHz | | | | | |
| | | | | M ₂ max [Nm] | Type EVS | M ₂ max [Nm] | Type EVS | | | | |
| 516 | 82 | 1.3 | 44 | 1009 | 9325 | 755 | 9325 | 706 | 82 | 1.05E-03 | GST07 - 3S □□□ 071C33 MDSKS□□ 071-33 180 |
| 599 | 71 | 1.1 | 51.022 | 1050 | 9325 | 876 | 9325 | 700 | 66 | 1.08E-03 | GST07 - 3S □□□ 071C33 MDSKS□□ 071-33 180 |
| 633 | 67 | 1 | 53.9 | 1059 | 9325 | 925 | 9325 | 706 | 67 | 1.05E-03 | GST07 - 3S □□□ 071C33 MDSKS□□ 071-33 180 |
| 238 | 41 | 5.8 | 93.541 | 414 | 9322 | 479 | 9323 | 1564 | 41 | 2.11E-04 | GST09 - 3S □□□ 056C23 MDSKS□□ 056-23 190 |
| 292 | 33 | 4.9 | 113.585 | 503 | 9322 | 582 | 9323 | 1613 | 33 | 2.05E-04 | GST09 - 3S □□□ 056C23 MDSKS□□ 056-23 190 |
| 333 | 29 | 4.3 | 129.074 | 571 | 9322 | 661 | 9323 | 1612 | 29 | 2.05E-04 | GST09 - 3S □□□ 056C23 MDSKS□□ 056-23 190 |
| 366 | 27 | 3.9 | 141.289 | 625 | 9322 | 724 | 9323 | 1613 | 27 | 1.86E-04 | GST09 - 3S □□□ 056C23 MDSKS□□ 056-23 190 |
| 418 | 24 | 3.5 | 160.556 | 710 | 9322 | 822 | 9323 | 1623 | 24 | 1.86E-04 | GST09 - 3S □□□ 056C23 MDSKS□□ 056-23 190 |
| 479 | 21 | 3 | 182.844 | 809 | 9322 | 937 | 9323 | 1613 | 21 | 1.70E-04 | GST09 - 3S □□□ 056C23 MDSKS□□ 056-23 190 |
| 546 | 18 | 2.7 | 207.778 | 919 | 9322 | 1064 | 9323 | 1623 | 18 | 1.70E-04 | GST09 - 3S □□□ 056C23 MDSKS□□ 056-23 190 |
| 624 | 16 | 2.4 | 236.622 | 1047 | 9322 | 1212 | 9323 | 1613 | 16 | 1.68E-04 | GST09 - 3S □□□ 056C23 MDSKS□□ 056-23 190 |
| 666 | 15 | 2.2 | 252.167 | 1116 | 9322 | 1292 | 9323 | 1623 | 15 | 1.61E-04 | GST09 - 3S □□□ 056C23 MDSKS□□ 056-23 190 |
| 711 | 14 | 2.1 | 268.889 | 1190 | 9322 | 1377 | 9323 | 1623 | 14 | 1.68E-04 | GST09 - 3S □□□ 056C23 MDSKS□□ 056-23 190 |
| 867 | 12 | 1.7 | 326.333 | 1444 | 9322 | 1672 | 9323 | 1623 | 12 | 1.60E-04 | GST09 - 3S □□□ 056C23 MDSKS□□ 056-23 190 |
| 966 | 10 | 1.5 | 363 | 1606 | 9322 | 1859 | 9323 | 1613 | 10 | 1.66E-04 | GST09 - 3S □□□ 056C23 MDSKS□□ 056-23 190 |
| 1100 | 9.2 | 1.4 | 412.5 | 1825 | 9322 | 2113 | 9323 | 1623 | 9.2 | 1.58E-04 | GST09 - 3S □□□ 056C23 MDSKS□□ 056-23 190 |
| 156 | 100 | 4.1 | 40.136 | 264 | 9323 | 344 | 9324 | 806 | 100 | 4.14E-04 | GST09 - 3S □□□ 056C33 MDSKS□□ 056-33 200 |
| 365 | 43 | 3.8 | 93.541 | 615 | 9323 | 801 | 9324 | 1564 | 43 | 2.71E-04 | GST09 - 3S □□□ 056C33 MDSKS□□ 056-33 200 |
| 445 | 35 | 3.2 | 113.585 | 747 | 9323 | 973 | 9324 | 1613 | 35 | 2.65E-04 | GST09 - 3S □□□ 056C33 MDSKS□□ 056-33 200 |
| 508 | 31 | 2.8 | 129.074 | 849 | 9323 | 1105 | 9324 | 1612 | 31 | 2.65E-04 | GST09 - 3S □□□ 056C33 MDSKS□□ 056-33 200 |
| 558 | 28 | 2.6 | 141.289 | 929 | 9323 | 1210 | 9324 | 1613 | 28 | 2.46E-04 | GST09 - 3S □□□ 056C33 MDSKS□□ 056-33 200 |
| 636 | 25 | 2.3 | 160.556 | 1056 | 9323 | 1375 | 9324 | 1623 | 25 | 2.46E-04 | GST09 - 3S □□□ 056C33 MDSKS□□ 056-33 200 |
| 726 | 22 | 2 | 182.844 | 1202 | 9323 | 1566 | 9324 | 1613 | 22 | 2.30E-04 | GST09 - 3S □□□ 056C33 MDSKS□□ 056-33 200 |
| 827 | 19 | 1.8 | 207.778 | 1366 | 9323 | 1779 | 9324 | 1623 | 19 | 2.30E-04 | GST09 - 3S □□□ 056C33 MDSKS□□ 056-33 200 |
| 944 | 17 | 1.5 | 236.622 | 1556 | 9323 | 2026 | 9324 | 1613 | 17 | 2.28E-04 | GST09 - 3S □□□ 056C33 MDSKS□□ 056-33 200 |
| 1007 | 16 | 1.5 | 252.167 | 1658 | 9323 | 2159 | 9324 | 1623 | 16 | 2.21E-04 | GST09 - 3S □□□ 056C33 MDSKS□□ 056-33 200 |
| 1075 | 15 | 1.4 | 268.889 | 1768 | 9323 | 2302 | 9324 | 1623 | 15 | 2.28E-04 | GST09 - 3S □□□ 056C33 MDSKS□□ 056-33 200 |
| 1308 | 12 | 1.1 | 326.333 | 2146 | 9323 | 2435 | 9324 | 1623 | 12 | 2.20E-04 | GST09 - 3S □□□ 056C33 MDSKS□□ 056-33 200 |
| 1457 | 11 | 1 | 363 | 2387 | 9323 | 2420 | 9324 | 1613 | 11 | 2.26E-04 | GST09 - 3S □□□ 056C33 MDSKS□□ 056-33 200 |
| 209 | 85 | 5.3 | 40.136 | 307 | 9323 | 406 | 9324 | 1344 | 85 | 8.14E-04 | GST09 - 3S □□□ 071C03 MDSKS□□ 071-03 170 |
| 225 | 79 | 5.2 | 43.267 | 331 | 9323 | 438 | 9324 | 1290 | 79 | 7.55E-04 | GST09 - 3S □□□ 071C03 MDSKS□□ 071-03 170 |
| 256 | 69 | 5.2 | 49.167 | 376 | 9323 | 498 | 9324 | 1466 | 69 | 7.53E-04 | GST09 - 3S □□□ 071C03 MDSKS□□ 071-03 170 |
| 278 | 64 | 4.6 | 53.044 | 406 | 9323 | 537 | 9324 | 1379 | 64 | 7.38E-04 | GST09 - 3S □□□ 071C03 MDSKS□□ 071-03 170 |
| 316 | 56 | 4.6 | 60.278 | 461 | 9323 | 610 | 9324 | 1565 | 56 | 7.37E-04 | GST09 - 3S □□□ 071C03 MDSKS□□ 071-03 170 |

Observe the notes for thermal dimensioning.

Selection tables - Helical gearboxes

Naturally ventilated synchronous geared servo motors

| M ₂ [Nm] | n ₂ trans [rpm] | c | i | M ₂ max short-time on geared motor at | | | | M ₂ Gr gearbox c=1 n ₁ ≤ 1400 rpm [Nm] | n ₂ therm [rpm] | J _{GM} referred to motor shaft [kgm ²] | Servo helical- geared motor Dimensions on Page 3-99 |
|------------------------|-------------------------------|-----|---------|---|-------------|----------------------------|-------------|--|-------------------------------|---|--|
| | | | | 8 kHz | | 16 kHz | | | | | |
| | | | | M ₂ max [Nm] | Type EVS | M ₂ max [Nm] | Type EVS | | | | |
| 381 | 47 | 3.6 | 71.867 | 550 | 9323 | 727 | 9324 | 1477 | 47 | 7.17E-04 | GST09 - 3S □□□ 071C03 MDSKS□□ 071-03 170 |
| 434 | 42 | 3.4 | 81.667 | 625 | 9323 | 827 | 9324 | 1584 | 42 | 7.16E-04 | GST09 - 3S □□□ 071C03 MDSKS□□ 071-03 170 |
| 499 | 36 | 3 | 93.541 | 716 | 9323 | 947 | 9324 | 1613 | 36 | 6.71E-04 | GST09 - 3S □□□ 071C03 MDSKS□□ 071-03 170 |
| 530 | 34 | 2.8 | 99.167 | 759 | 9323 | 1004 | 9324 | 1596 | 34 | 7.07E-04 | GST09 - 3S □□□ 071C03 MDSKS□□ 071-03 170 |
| 609 | 30 | 2.5 | 113.585 | 870 | 9323 | 1150 | 9324 | 1613 | 30 | 6.65E-04 | GST09 - 3S □□□ 071C03 MDSKS□□ 071-03 170 |
| 694 | 26 | 2.2 | 129.074 | 988 | 9323 | 1306 | 9324 | 1612 | 26 | 6.65E-04 | GST09 - 3S □□□ 071C03 MDSKS□□ 071-03 170 |
| 762 | 24 | 2 | 141.289 | 1082 | 9323 | 1430 | 9324 | 1613 | 24 | 6.46E-04 | GST09 - 3S □□□ 071C03 MDSKS□□ 071-03 170 |
| 867 | 21 | 1.8 | 160.556 | 1229 | 9323 | 1625 | 9324 | 1623 | 21 | 6.46E-04 | GST09 - 3S □□□ 071C03 MDSKS□□ 071-03 170 |
| 990 | 19 | 1.6 | 182.844 | 1400 | 9323 | 1851 | 9324 | 1613 | 19 | 6.30E-04 | GST09 - 3S □□□ 071C03 MDSKS□□ 071-03 170 |
| 1127 | 16 | 1.4 | 207.778 | 1591 | 9323 | 2103 | 9324 | 1623 | 16 | 6.30E-04 | GST09 - 3S □□□ 071C03 MDSKS□□ 071-03 170 |
| 1286 | 14 | 1.2 | 236.622 | 1811 | 9323 | 2395 | 9324 | 1613 | 14 | 6.28E-04 | GST09 - 3S □□□ 071C03 MDSKS□□ 071-03 170 |
| 1372 | 13 | 1.1 | 252.167 | 1930 | 9323 | 2435 | 9324 | 1623 | 13 | 6.21E-04 | GST09 - 3S □□□ 071C03 MDSKS□□ 071-03 170 |
| 1464 | 13 | 1.1 | 268.889 | 2058 | 9323 | 2435 | 9324 | 1623 | 13 | 6.28E-04 | GST09 - 3S □□□ 071C03 MDSKS□□ 071-03 170 |
| 310 | 92 | 3.6 | 40.136 | 478 | 9324 | 659 | 9325 | 1344 | 92 | 1.01E-03 | GST09 - 3S □□□ 071C13 MDSKS□□ 071-13 180 |
| 334 | 86 | 3.5 | 43.267 | 515 | 9324 | 710 | 9325 | 1290 | 86 | 9.55E-04 | GST09 - 3S □□□ 071C13 MDSKS□□ 071-13 180 |
| 380 | 75 | 3.5 | 49.167 | 585 | 9324 | 807 | 9325 | 1466 | 75 | 9.53E-04 | GST09 - 3S □□□ 071C13 MDSKS□□ 071-13 180 |
| 412 | 70 | 3.1 | 53.044 | 631 | 9324 | 870 | 9325 | 1379 | 70 | 9.38E-04 | GST09 - 3S □□□ 071C13 MDSKS□□ 071-13 180 |
| 468 | 61 | 3.1 | 60.278 | 717 | 9324 | 989 | 9325 | 1565 | 61 | 9.37E-04 | GST09 - 3S □□□ 071C13 MDSKS□□ 071-13 180 |
| 562 | 51 | 2.4 | 71.867 | 855 | 9324 | 1179 | 9325 | 1477 | 51 | 9.17E-04 | GST09 - 3S □□□ 071C13 MDSKS□□ 071-13 180 |
| 639 | 45 | 2.3 | 81.667 | 972 | 9324 | 1340 | 9325 | 1584 | 45 | 9.16E-04 | GST09 - 3S □□□ 071C13 MDSKS□□ 071-13 180 |
| 734 | 40 | 2 | 93.541 | 1113 | 9324 | 1535 | 9325 | 1613 | 40 | 8.71E-04 | GST09 - 3S □□□ 071C13 MDSKS□□ 071-13 180 |
| 779 | 37 | 1.9 | 99.167 | 1180 | 9324 | 1627 | 9325 | 1596 | 37 | 9.07E-04 | GST09 - 3S □□□ 071C13 MDSKS□□ 071-13 180 |
| 895 | 33 | 1.7 | 113.585 | 1351 | 9324 | 1864 | 9325 | 1613 | 33 | 8.65E-04 | GST09 - 3S □□□ 071C13 MDSKS□□ 071-13 180 |
| 1019 | 29 | 1.5 | 129.074 | 1536 | 9324 | 2118 | 9325 | 1612 | 29 | 8.65E-04 | GST09 - 3S □□□ 071C13 MDSKS□□ 071-13 180 |
| 1117 | 26 | 1.3 | 141.289 | 1681 | 9324 | 2318 | 9325 | 1613 | 26 | 8.46E-04 | GST09 - 3S □□□ 071C13 MDSKS□□ 071-13 180 |
| 1271 | 23 | 1.2 | 160.556 | 1910 | 9324 | 2435 | 9325 | 1623 | 23 | 8.46E-04 | GST09 - 3S □□□ 071C13 MDSKS□□ 071-13 180 |
| 1450 | 20 | 1 | 182.844 | 2176 | 9324 | 2420 | 9325 | 1613 | 20 | 8.30E-04 | GST09 - 3S □□□ 071C13 MDSKS□□ 071-13 180 |
| 465 | 90 | 2.4 | 40.136 | 920 | 9325 | 689 | 9325 | 1344 | 90 | 1.21E-03 | GST09 - 3S □□□ 071C33 MDSKS□□ 071-33 180 |
| 501 | 83 | 2.4 | 43.267 | 992 | 9325 | 743 | 9325 | 1290 | 83 | 1.16E-03 | GST09 - 3S □□□ 071C33 MDSKS□□ 071-33 180 |
| 570 | 73 | 2.4 | 49.167 | 1127 | 9325 | 844 | 9325 | 1466 | 73 | 1.15E-03 | GST09 - 3S □□□ 071C33 MDSKS□□ 071-33 180 |
| 616 | 68 | 2.1 | 53.044 | 1216 | 9325 | 910 | 9325 | 1379 | 68 | 1.14E-03 | GST09 - 3S □□□ 071C33 MDSKS□□ 071-33 180 |
| 701 | 60 | 2.1 | 60.278 | 1382 | 9325 | 1035 | 9325 | 1565 | 60 | 1.14E-03 | GST09 - 3S □□□ 071C33 MDSKS□□ 071-33 180 |
| 839 | 50 | 1.6 | 71.867 | 1648 | 9325 | 1234 | 9325 | 1477 | 50 | 1.12E-03 | GST09 - 3S □□□ 071C33 MDSKS□□ 071-33 180 |
| 954 | 44 | 1.6 | 81.667 | 1872 | 9325 | 1402 | 9325 | 1584 | 44 | 1.12E-03 | GST09 - 3S □□□ 071C33 MDSKS□□ 071-33 180 |

Observe the notes for thermal dimensioning.

Selection tables - Helical gearboxes

Naturally ventilated synchronous geared servo motors



| M ₂ [Nm] | n _{2 trans} [rpm] | c | i | M _{2 max} short-time on geared motor at | | | | M _{2 Gr} gearbox c=1 n ₁ ≤ 1400 rpm [Nm] | n _{2 therm} [rpm] | J _{GM} referred to motor shaft [kgm ²] | Servo helical-geared motor Dimensions on Page 3-99 |
|------------------------|-------------------------------|-----|---------|--|-------------|----------------------------|-------------|---|-------------------------------|--|---|
| | | | | 8 kHz | | 16 kHz | | | | | |
| | | | | M _{2 max} [Nm] | Type EVS | M _{2 max} [Nm] | Type EVS | | | | |
| 1095 | 38 | 1.4 | 93.541 | 2145 | 9325 | 1606 | 9325 | 1613 | 38 | 1.07E-03 | GST09 - 3S □□□ 071C33 MDSKS□□ 071-33 180 |
| 1162 | 36 | 1.3 | 99.167 | 2274 | 9325 | 1702 | 9325 | 1596 | 36 | 1.11E-03 | GST09 - 3S □□□ 071C33 MDSKS□□ 071-33 180 |
| 1333 | 32 | 1.1 | 113.585 | 2420 | 9325 | 1950 | 9325 | 1613 | 32 | 1.07E-03 | GST09 - 3S □□□ 071C33 MDSKS□□ 071-33 180 |
| 535 | 18 | 4.7 | 207.778 | 919 | 9322 | 1064 | 9323 | 2810 | 18 | 2.28E-04 | GST11 - 3S □□□ 056C23 MDSKS□□ 056-23 190 |
| 614 | 16 | 3.9 | 236.622 | 1047 | 9322 | 1212 | 9323 | 2695 | 16 | 2.22E-04 | GST11 - 3S □□□ 056C23 MDSKS□□ 056-23 190 |
| 655 | 15 | 3.8 | 252.167 | 1116 | 9322 | 1292 | 9323 | 2810 | 15 | 2.03E-04 | GST11 - 3S □□□ 056C23 MDSKS□□ 056-23 190 |
| 699 | 14 | 3.7 | 268.889 | 1190 | 9322 | 1377 | 9323 | 2848 | 14 | 2.22E-04 | GST11 - 3S □□□ 056C23 MDSKS□□ 056-23 190 |
| 855 | 12 | 3 | 326.333 | 1444 | 9322 | 1672 | 9323 | 2848 | 12 | 1.99E-04 | GST11 - 3S □□□ 056C23 MDSKS□□ 056-23 190 |
| 955 | 10 | 2.6 | 363 | 1606 | 9322 | 1859 | 9323 | 2695 | 10 | 2.16E-04 | GST11 - 3S □□□ 056C23 MDSKS□□ 056-23 190 |
| 1088 | 9.2 | 2.4 | 412.5 | 1825 | 9322 | 2113 | 9323 | 2848 | 9.2 | 1.95E-04 | GST11 - 3S □□□ 056C23 MDSKS□□ 056-23 190 |
| 816 | 19 | 3.1 | 207.778 | 1366 | 9323 | 1779 | 9324 | 2810 | 19 | 2.88E-04 | GST11 - 3S □□□ 056C33 MDSKS□□ 056-33 200 |
| 934 | 17 | 2.6 | 236.622 | 1556 | 9323 | 2026 | 9324 | 2695 | 17 | 2.82E-04 | GST11 - 3S □□□ 056C33 MDSKS□□ 056-33 200 |
| 996 | 16 | 2.5 | 252.167 | 1658 | 9323 | 2159 | 9324 | 2810 | 16 | 2.63E-04 | GST11 - 3S □□□ 056C33 MDSKS□□ 056-33 200 |
| 1063 | 15 | 2.4 | 268.889 | 1768 | 9323 | 2302 | 9324 | 2848 | 15 | 2.82E-04 | GST11 - 3S □□□ 056C33 MDSKS□□ 056-33 200 |
| 1296 | 12 | 2 | 326.333 | 2146 | 9323 | 2794 | 9324 | 2848 | 12 | 2.59E-04 | GST11 - 3S □□□ 056C33 MDSKS□□ 056-33 200 |
| 1447 | 11 | 1.7 | 363 | 2387 | 9323 | 3108 | 9324 | 2695 | 11 | 2.76E-04 | GST11 - 3S □□□ 056C33 MDSKS□□ 056-33 200 |
| 1646 | 9.7 | 1.6 | 412.5 | 2712 | 9323 | 3532 | 9324 | 2848 | 9.7 | 2.55E-04 | GST11 - 3S □□□ 056C33 MDSKS□□ 056-33 200 |
| 682 | 26 | 3.8 | 129.074 | 988 | 9323 | 1306 | 9324 | 2810 | 26 | 7.94E-04 | GST11 - 3S □□□ 071C03 MDSKS□□ 071-03 170 |
| 782 | 23 | 3.2 | 146.993 | 1125 | 9323 | 1488 | 9324 | 2695 | 23 | 7.77E-04 | GST11 - 3S □□□ 071C03 MDSKS□□ 071-03 170 |
| 843 | 21 | 3.1 | 158.194 | 1211 | 9323 | 1601 | 9324 | 2810 | 21 | 7.40E-04 | GST11 - 3S □□□ 071C03 MDSKS□□ 071-03 170 |
| 965 | 19 | 2.6 | 180.156 | 1379 | 9323 | 1823 | 9324 | 2695 | 19 | 7.29E-04 | GST11 - 3S □□□ 071C03 MDSKS□□ 071-03 170 |
| 1115 | 16 | 2.4 | 207.778 | 1591 | 9323 | 2103 | 9324 | 2810 | 16 | 6.88E-04 | GST11 - 3S □□□ 071C03 MDSKS□□ 071-03 170 |
| 1275 | 14 | 2 | 236.622 | 1811 | 9323 | 2395 | 9324 | 2695 | 14 | 6.82E-04 | GST11 - 3S □□□ 071C03 MDSKS□□ 071-03 170 |
| 1360 | 13 | 2 | 252.167 | 1930 | 9323 | 2552 | 9324 | 2810 | 13 | 6.63E-04 | GST11 - 3S □□□ 071C03 MDSKS□□ 071-03 170 |
| 1451 | 13 | 1.9 | 268.889 | 2058 | 9323 | 2721 | 9324 | 2848 | 13 | 6.82E-04 | GST11 - 3S □□□ 071C03 MDSKS□□ 071-03 170 |
| 1768 | 10 | 1.5 | 326.333 | 2498 | 9323 | 3303 | 9324 | 2848 | 10 | 6.59E-04 | GST11 - 3S □□□ 071C03 MDSKS□□ 071-03 170 |
| 1971 | 9.4 | 1.3 | 363 | 2779 | 9323 | 3674 | 9324 | 2695 | 9.4 | 6.76E-04 | GST11 - 3S □□□ 071C03 MDSKS□□ 071-03 170 |
| 2242 | 8.2 | 1.2 | 412.5 | 3158 | 9323 | 4175 | 9324 | 2848 | 8.2 | 6.55E-04 | GST11 - 3S □□□ 071C03 MDSKS□□ 071-03 170 |
| 313 | 91 | 4.3 | 40.816 | 486 | 9324 | 670 | 9325 | 1641 | 91 | 1.44E-03 | GST11 - 3S □□□ 071C13 MDSKS□□ 071-13 180 |
| 335 | 84 | 4.7 | 44 | 524 | 9324 | 722 | 9325 | 1769 | 84 | 1.37E-03 | GST11 - 3S □□□ 071C13 MDSKS□□ 071-13 180 |
| 381 | 74 | 4.7 | 50 | 595 | 9324 | 820 | 9325 | 2010 | 74 | 1.36E-03 | GST11 - 3S □□□ 071C13 MDSKS□□ 071-13 180 |
| 442 | 64 | 4.7 | 57.968 | 690 | 9324 | 951 | 9325 | 2331 | 64 | 1.28E-03 | GST11 - 3S □□□ 071C13 MDSKS□□ 071-13 180 |
| 1007 | 29 | 2.6 | 129.074 | 1536 | 9324 | 2118 | 9325 | 2810 | 29 | 9.94E-04 | GST11 - 3S □□□ 071C13 MDSKS□□ 071-13 180 |
| 1152 | 25 | 2.2 | 146.993 | 1749 | 9324 | 2412 | 9325 | 2695 | 25 | 9.77E-04 | GST11 - 3S □□□ 071C13 MDSKS□□ 071-13 180 |

Observe the notes for thermal dimensioning.

Selection tables - Helical gearboxes

Naturally ventilated synchronous geared servo motors

| M ₂ [Nm] | n ₂ trans [rpm] | c | i | M ₂ max short-time on geared motor at | | | | M ₂ Gr gearbox c=1 n ₁ ≤ 1400 rpm [Nm] | n ₂ therm [rpm] | J _{GM} referred to motor shaft [kgm ²] | Servo helical- geared motor Dimensions on Page 3-99 |
|------------------------|-------------------------------|-----|---------|---|-------------|----------------------------|-------------|--|-------------------------------|---|--|
| | | | | 8 kHz | | 16 kHz | | | | | |
| | | | | M ₂ max [Nm] | Type EVS | M ₂ max [Nm] | Type EVS | | | | |
| 1241 | 23 | 2.1 | 158.194 | 1882 | 9324 | 2596 | 9325 | 2810 | 23 | 9.40E-04 | GST11 - 3S □□□ 071C13 MDSKS□□ 071-13 180 |
| 1418 | 21 | 1.8 | 180.156 | 2144 | 9324 | 2956 | 9325 | 2695 | 21 | 9.29E-04 | GST11 - 3S □□□ 071C13 MDSKS□□ 071-13 180 |
| 1638 | 18 | 1.6 | 207.778 | 2472 | 9324 | 3409 | 9325 | 2810 | 18 | 8.88E-04 | GST11 - 3S □□□ 071C13 MDSKS□□ 071-13 180 |
| 1870 | 16 | 1.3 | 236.622 | 2815 | 9324 | 3883 | 9325 | 2695 | 16 | 8.82E-04 | GST11 - 3S □□□ 071C13 MDSKS□□ 071-13 180 |
| 1994 | 15 | 1.3 | 252.167 | 3000 | 9324 | 4138 | 9325 | 2810 | 15 | 8.63E-04 | GST11 - 3S □□□ 071C13 MDSKS□□ 071-13 180 |
| 2127 | 14 | 1.2 | 268.889 | 3199 | 9324 | 4272 | 9325 | 2848 | 14 | 8.82E-04 | GST11 - 3S □□□ 071C13 MDSKS□□ 071-13 180 |
| 2588 | 11 | 1 | 326.333 | 3883 | 9324 | 4272 | 9325 | 2848 | 11 | 8.59E-04 | GST11 - 3S □□□ 071C13 MDSKS□□ 071-13 180 |
| 470 | 88 | 2.9 | 40.816 | 936 | 9325 | 701 | 9325 | 1641 | 88 | 1.64E-03 | GST11 - 3S □□□ 071C33 MDSKS□□ 071-33 180 |
| 505 | 82 | 3.2 | 44 | 1009 | 9325 | 755 | 9325 | 1769 | 82 | 1.57E-03 | GST11 - 3S □□□ 071C33 MDSKS□□ 071-33 180 |
| 574 | 72 | 3.2 | 50 | 1146 | 9325 | 858 | 9325 | 2010 | 72 | 1.56E-03 | GST11 - 3S □□□ 071C33 MDSKS□□ 071-33 180 |
| 666 | 62 | 3.2 | 57.968 | 1329 | 9325 | 995 | 9325 | 2331 | 62 | 1.48E-03 | GST11 - 3S □□□ 071C33 MDSKS□□ 071-33 180 |
| 1505 | 28 | 1.7 | 129.074 | 2959 | 9325 | 2215 | 9325 | 2810 | 28 | 1.19E-03 | GST11 - 3S □□□ 071C33 MDSKS□□ 071-33 180 |
| 1719 | 24 | 1.5 | 146.993 | 3370 | 9325 | 2523 | 9325 | 2695 | 24 | 1.18E-03 | GST11 - 3S □□□ 071C33 MDSKS□□ 071-33 180 |
| 1851 | 23 | 1.4 | 158.194 | 3627 | 9325 | 2715 | 9325 | 2810 | 23 | 1.14E-03 | GST11 - 3S □□□ 071C33 MDSKS□□ 071-33 180 |
| 2113 | 20 | 1.2 | 180.156 | 4043 | 9325 | 3092 | 9325 | 2695 | 20 | 1.13E-03 | GST11 - 3S □□□ 071C33 MDSKS□□ 071-33 180 |
| 2440 | 17 | 1.1 | 207.778 | 4215 | 9325 | 3566 | 9325 | 2810 | 17 | 1.09E-03 | GST11 - 3S □□□ 071C33 MDSKS□□ 071-33 180 |

Observe the notes for thermal dimensioning.

Selection tables - Helical gearboxes

Forced ventilated synchronous geared servo motors



| M ₂ [Nm] | n ₂ trans [rpm] | c | i | M ₂ max short-time on geared motor at | | | | M ₂ Gr gearbox c=1 n ₁ ≤ 1400 rpm [Nm] | n ₂ therm [rpm] | J _{GM} referred to motor shaft [kgm ²] | Servo helical- geared motor Dimensions on Page 3-99 |
|------------------------|-------------------------------|------------|--------------|---|-------------|----------------------------|-------------|--|-------------------------------|---|--|
| | | | | 8 kHz | | 16 kHz | | | | | |
| | | | | M ₂ max [Nm] | Type EVS | M ₂ max [Nm] | Type EVS | | | | |
| 12 | 2063 | 1.2 | 1.600 | 22 | 9324 | 17 | 9324 | 19 | 1718 | 6.27E-04 | GST04 - 1S □□□ 071C03 MDFKS□□ 071-03 165 |
| 15 | 1612 | 1.2 | 2.048 | 28 | 9324 | 21 | 9324 | 23 | 1508 | 6.19E-04 | GST04 - 1S □□□ 071C03 MDFKS□□ 071-03 165 |
| 17 | 1473 | 1.1 | 2.240 | 30 | 9324 | 23 | 9324 | 25 | 1445 | 6.17E-04 | GST04 - 1S □□□ 071C03 MDFKS□□ 071-03 165 |
| 21 | 1117 | 1.4 | 2.956 | 39 | 9324 | 30 | 9324 | 39 | 848 | 6.34E-04 | GST04 - 2S □□□ 071C03 MDFKS□□ 071-03 165 |
| 24 | 990 | 1.3 | 3.333 | 44 | 9324 | 34 | 9324 | 42 | 732 | 6.32E-04 | GST04 - 2S □□□ 071C03 MDFKS□□ 071-03 165 |
| 29 | 814 | 1.2 | 4.053 | 54 | 9324 | 42 | 9324 | 45 | 662 | 6.31E-04 | GST04 - 2S □□□ 071C03 MDFKS□□ 071-03 165 |
| 33 | 722 | 1.1 | 4.571 | 61 | 9324 | 47 | 9324 | 48 | 574 | 6.30E-04 | GST04 - 2S □□□ 071C03 MDFKS□□ 071-03 165 |
| 38 | 636 | 1.0 | 5.187 | 69 | 9324 | 53 | 9324 | 50 | 565 | 6.22E-04 | GST04 - 2S □□□ 071C03 MDFKS□□ 071-03 165 |
| 12 | 2063 | 2.9 | 1.600 | 22 | 9324 | 17 | 9324 | 45 | 1991 | 6.76E-04 | GST05 - 1S □□□ 071C03 MDFKS□□ 071-03 165 |
| 15 | 1612 | 2.7 | 2.048 | 28 | 9324 | 21 | 9324 | 53 | 1612 | 6.55E-04 | GST05 - 1S □□□ 071C03 MDFKS□□ 071-03 165 |
| 16 | 1473 | 2.5 | 2.240 | 30 | 9324 | 23 | 9324 | 53 | 1473 | 6.48E-04 | GST05 - 1S □□□ 071C03 MDFKS□□ 071-03 165 |
| 21 | 1155 | 1.9 | 2.857 | 39 | 9324 | 30 | 9324 | 53 | 1155 | 6.35E-04 | GST05 - 1S □□□ 071C03 MDFKS□□ 071-03 165 |
| 26 | 943 | 1.6 | 3.500 | 47 | 9324 | 37 | 9324 | 54 | 943 | 6.27E-04 | GST05 - 1S □□□ 071C03 MDFKS□□ 071-03 165 |
| 34 | 724 | 1.2 | 4.556 | 61 | 9324 | 48 | 9324 | 54 | 724 | 6.18E-04 | GST05 - 1S □□□ 071C03 MDFKS□□ 071-03 165 |
| 17 | 2250 | 1.9 | 1.600 | 34 | 9325 | 27 | 9325 | 45 | 1812 | 8.76E-04 | GST05 - 1S □□□ 071C13 MDFKS□□ 071-13 180 |
| 22 | 1758 | 1.8 | 2.048 | 44 | 9325 | 35 | 9325 | 53 | 1500 | 8.55E-04 | GST05 - 1S □□□ 071C13 MDFKS□□ 071-13 180 |
| 24 | 1607 | 1.6 | 2.240 | 48 | 9325 | 38 | 9325 | 53 | 1376 | 8.48E-04 | GST05 - 1S □□□ 071C13 MDFKS□□ 071-13 180 |
| 31 | 1260 | 1.3 | 2.857 | 61 | 9325 | 48 | 9325 | 53 | 1140 | 8.35E-04 | GST05 - 1S □□□ 071C13 MDFKS□□ 071-13 180 |
| 38 | 1029 | 1.1 | 3.500 | 75 | 9325 | 59 | 9325 | 54 | 983 | 8.27E-04 | GST05 - 1S □□□ 071C13 MDFKS□□ 071-13 180 |
| 25 | 2188 | 1.3 | 1.600 | 38 | 9325 | 43 | 9326 | 45 | 1476 | 1.08E-03 | GST05 - 1S □□□ 071C33 MDFKS□□ 071-33 175 |
| 33 | 1709 | 1.2 | 2.048 | 48 | 9325 | 56 | 9326 | 53 | 1259 | 1.05E-03 | GST05 - 1S □□□ 071C33 MDFKS□□ 071-33 175 |
| 36 | 1563 | 1.1 | 2.240 | 53 | 9325 | 61 | 9326 | 53 | 1172 | 1.05E-03 | GST05 - 1S □□□ 071C33 MDFKS□□ 071-33 175 |
| 21 | 1117 | 2.3 | 2.956 | 39 | 9324 | 30 | 9324 | 63 | 867 | 6.99E-04 | GST05 - 2S □□□ 071C03 MDFKS□□ 071-03 165 |
| 24 | 990 | 2.5 | 3.333 | 44 | 9324 | 34 | 9324 | 78 | 785 | 6.94E-04 | GST05 - 2S □□□ 071C03 MDFKS□□ 071-03 165 |
| 29 | 814 | 2.1 | 4.053 | 54 | 9324 | 42 | 9324 | 81 | 736 | 6.90E-04 | GST05 - 2S □□□ 071C03 MDFKS□□ 071-03 165 |
| 33 | 722 | 2.1 | 4.571 | 61 | 9324 | 47 | 9324 | 91 | 652 | 6.86E-04 | GST05 - 2S □□□ 071C03 MDFKS□□ 071-03 165 |
| 37 | 636 | 1.8 | 5.187 | 69 | 9324 | 53 | 9324 | 90 | 603 | 6.64E-04 | GST05 - 2S □□□ 071C03 MDFKS□□ 071-03 165 |
| 42 | 564 | 1.8 | 5.850 | 78 | 9324 | 60 | 9324 | 101 | 534 | 6.61E-04 | GST05 - 2S □□□ 071C03 MDFKS□□ 071-03 165 |
| 46 | 516 | 1.7 | 6.400 | 85 | 9324 | 66 | 9324 | 105 | 495 | 6.53E-04 | GST05 - 2S □□□ 071C03 MDFKS□□ 071-03 165 |
| 52 | 456 | 1.6 | 7.238 | 96 | 9324 | 74 | 9324 | 108 | 456 | 6.40E-04 | GST05 - 2S □□□ 071C03 MDFKS□□ 071-03 165 |
| 59 | 404 | 1.5 | 8.163 | 108 | 9324 | 84 | 9324 | 115 | 404 | 6.39E-04 | GST05 - 2S □□□ 071C03 MDFKS□□ 071-03 165 |
| 65 | 366 | 1.4 | 9.010 | 120 | 9324 | 93 | 9324 | 119 | 304 | 6.54E-04 | GST05 - 2S □□□ 071C03 MDFKS□□ 071-03 165 |
| 73 | 330 | 1.3 | 10.000 | 133 | 9324 | 103 | 9324 | 124 | 330 | 6.30E-04 | GST05 - 2S □□□ 071C03 MDFKS□□ 071-03 165 |
| 81 | 295 | 1.2 | 11.200 | 149 | 9324 | 115 | 9324 | 128 | 241 | 6.46E-04 | GST05 - 2S □□□ 071C03 MDFKS□□ 071-03 165 |

Observe the notes for thermal dimensioning.

Selection tables - Helical gearboxes

Forced ventilated synchronous geared servo motors

| M ₂ [Nm] | n _{2 trans} [rpm] | c | i | M _{2 max} short-time on geared motor at | | | | M _{2 Gr} gearbox c=1 n ₁ ≤ 1400 rpm [Nm] | n _{2 therm} [rpm] | J _{GM} referred to motor shaft [kgm ²] | Servo helical- geared motor Dimensions on Page 3-99 |
|------------------------|-------------------------------|------------|--------------|---|-------------|----------------------------|-------------|--|-------------------------------|---|--|
| | | | | 8 kHz | | 16 kHz | | | | | |
| | | | | M _{2 max} [Nm] | Type EVS | M _{2 max} [Nm] | Type EVS | | | | |
| 95 | 254 | 1.1 | 13.016 | 173 | 9324 | 134 | 9324 | 137 | 254 | 6.18E-04 | GST05 - 2S □□□ 071C03 MDFKS□□ 071-03 165 |
| 104 | 230 | 1.0 | 14.356 | 191 | 9324 | 148 | 9324 | 140 | 230 | 6.13E-04 | GST05 - 2S □□□ 071C03 MDFKS□□ 071-03 165 |
| 118 | 204 | 1.1 | 16.190 | 215 | 9324 | 166 | 9324 | 148 | 204 | 6.13E-04 | GST05 - 2S □□□ 071C03 MDFKS□□ 071-03 165 |
| 31 | 1218 | 1.5 | 2.956 | 63 | 9325 | 49 | 9325 | 63 | 723 | 8.99E-04 | GST05 - 2S □□□ 071C13 MDFKS□□ 071-13 180 |
| 35 | 1080 | 1.6 | 3.333 | 71 | 9325 | 56 | 9325 | 78 | 673 | 8.94E-04 | GST05 - 2S □□□ 071C13 MDFKS□□ 071-13 180 |
| 43 | 888 | 1.4 | 4.053 | 86 | 9325 | 68 | 9325 | 81 | 601 | 8.90E-04 | GST05 - 2S □□□ 071C13 MDFKS□□ 071-13 180 |
| 49 | 788 | 1.4 | 4.571 | 97 | 9325 | 76 | 9325 | 91 | 532 | 8.86E-04 | GST05 - 2S □□□ 071C13 MDFKS□□ 071-13 180 |
| 55 | 694 | 1.2 | 5.187 | 110 | 9325 | 86 | 9325 | 90 | 497 | 8.64E-04 | GST05 - 2S □□□ 071C13 MDFKS□□ 071-13 180 |
| 62 | 615 | 1.2 | 5.850 | 124 | 9325 | 98 | 9325 | 101 | 441 | 8.61E-04 | GST05 - 2S □□□ 071C13 MDFKS□□ 071-13 180 |
| 68 | 563 | 1.1 | 6.400 | 136 | 9325 | 107 | 9325 | 105 | 414 | 8.53E-04 | GST05 - 2S □□□ 071C13 MDFKS□□ 071-13 180 |
| 77 | 497 | 1.0 | 7.238 | 153 | 9325 | 121 | 9325 | 108 | 413 | 8.40E-04 | GST05 - 2S □□□ 071C13 MDFKS□□ 071-13 180 |
| 46 | 1184 | 1.0 | 2.956 | 69 | 9325 | 79 | 9326 | 63 | 605 | 1.10E-03 | GST05 - 2S □□□ 071C33 MDFKS□□ 071-33 175 |
| 52 | 1050 | 1.1 | 3.333 | 78 | 9325 | 89 | 9326 | 78 | 558 | 1.09E-03 | GST05 - 2S □□□ 071C33 MDFKS□□ 071-33 175 |
| 15 | 1612 | 3.7 | 2.048 | 28 | 9324 | 21 | 9324 | 72 | 1577 | 7.46E-04 | GST06 - 1S □□□ 071C03 MDFKS□□ 071-03 165 |
| 16 | 1473 | 3.6 | 2.240 | 30 | 9324 | 23 | 9324 | 79 | 1473 | 7.27E-04 | GST06 - 1S □□□ 071C03 MDFKS□□ 071-03 165 |
| 21 | 1155 | 3.4 | 2.857 | 39 | 9324 | 30 | 9324 | 92 | 1155 | 6.97E-04 | GST06 - 1S □□□ 071C03 MDFKS□□ 071-03 165 |
| 25 | 943 | 3.1 | 3.500 | 47 | 9324 | 37 | 9324 | 105 | 943 | 6.74E-04 | GST06 - 1S □□□ 071C03 MDFKS□□ 071-03 165 |
| 33 | 724 | 2.4 | 4.556 | 61 | 9324 | 48 | 9324 | 105 | 724 | 6.48E-04 | GST06 - 1S □□□ 071C03 MDFKS□□ 071-03 165 |
| 41 | 582 | 1.9 | 5.667 | 76 | 9324 | 59 | 9324 | 105 | 582 | 6.36E-04 | GST06 - 1S □□□ 071C03 MDFKS□□ 071-03 165 |
| 54 | 450 | 1.4 | 7.333 | 99 | 9324 | 77 | 9324 | 100 | 450 | 6.23E-04 | GST06 - 1S □□□ 071C03 MDFKS□□ 071-03 165 |
| 22 | 1758 | 2.4 | 2.048 | 44 | 9325 | 35 | 9325 | 72 | 1449 | 9.46E-04 | GST06 - 1S □□□ 071C13 MDFKS□□ 071-13 180 |
| 24 | 1607 | 2.4 | 2.240 | 48 | 9325 | 38 | 9325 | 79 | 1370 | 9.27E-04 | GST06 - 1S □□□ 071C13 MDFKS□□ 071-13 180 |
| 31 | 1260 | 2.2 | 2.857 | 61 | 9325 | 48 | 9325 | 92 | 1177 | 8.97E-04 | GST06 - 1S □□□ 071C13 MDFKS□□ 071-13 180 |
| 38 | 1029 | 2.1 | 3.500 | 75 | 9325 | 59 | 9325 | 105 | 1029 | 8.74E-04 | GST06 - 1S □□□ 071C13 MDFKS□□ 071-13 180 |
| 49 | 790 | 1.6 | 4.556 | 98 | 9325 | 77 | 9325 | 105 | 790 | 8.48E-04 | GST06 - 1S □□□ 071C13 MDFKS□□ 071-13 180 |
| 61 | 635 | 1.3 | 5.667 | 122 | 9325 | 96 | 9325 | 105 | 635 | 8.36E-04 | GST06 - 1S □□□ 071C13 MDFKS□□ 071-13 180 |
| 32 | 1709 | 1.7 | 2.048 | 48 | 9325 | 56 | 9326 | 72 | 1253 | 1.15E-03 | GST06 - 1S □□□ 071C33 MDFKS□□ 071-33 175 |
| 36 | 1563 | 1.7 | 2.240 | 53 | 9325 | 61 | 9326 | 79 | 1189 | 1.13E-03 | GST06 - 1S □□□ 071C33 MDFKS□□ 071-33 175 |
| 45 | 1225 | 1.5 | 2.857 | 68 | 9325 | 78 | 9326 | 92 | 1013 | 1.10E-03 | GST06 - 1S □□□ 071C33 MDFKS□□ 071-33 175 |
| 56 | 1000 | 1.4 | 3.500 | 83 | 9325 | 95 | 9326 | 105 | 928 | 1.07E-03 | GST06 - 1S □□□ 071C33 MDFKS□□ 071-33 175 |
| 73 | 768 | 1.1 | 4.556 | 108 | 9325 | 124 | 9326 | 105 | 756 | 1.05E-03 | GST06 - 1S □□□ 071C33 MDFKS□□ 071-33 175 |
| 37 | 620 | 4.1 | 5.324 | 71 | 9324 | 55 | 9324 | 207 | 620 | 7.76E-04 | GST06 - 2S □□□ 071C03 MDFKS□□ 071-03 165 |
| 41 | 564 | 4.0 | 5.850 | 78 | 9324 | 60 | 9324 | 222 | 561 | 7.71E-04 | GST06 - 2S □□□ 071C03 MDFKS□□ 071-03 165 |
| 45 | 516 | 3.8 | 6.400 | 85 | 9324 | 66 | 9324 | 229 | 516 | 7.47E-04 | GST06 - 2S □□□ 071C03 MDFKS□□ 071-03 165 |

Observe the notes for thermal dimensioning.

Selection tables - Helical gearboxes

Forced ventilated synchronous geared servo motors



| M ₂ [Nm] | n _{2 trans} [rpm] | c | i | M _{2 max} short-time on geared motor at | | | | M _{2 Gr} gearbox c=1 n ₁ ≤ 1400 rpm [Nm] | n _{2 therm} [rpm] | J _{GM} referred to motor shaft [kgm ²] | Servo helical-geared motor Dimensions on Page 3-99 |
|------------------------|-------------------------------|-----|--------|--|-------------|----------------------------|-------------|---|-------------------------------|--|---|
| | | | | 8 kHz | | 16 kHz | | | | | |
| | | | | M _{2 max} [Nm] | Type EVS | M _{2 max} [Nm] | Type EVS | | | | |
| 58 | 404 | 3.3 | 8.163 | 108 | 9324 | 84 | 9324 | 252 | 404 | 7.06E-04 | GST06 - 2S □□□ 071C03 MDFKS□□ 071-03 165 |
| 64 | 366 | 3.1 | 9.010 | 120 | 9324 | 93 | 9324 | 261 | 345 | 7.50E-04 | GST06 - 2S □□□ 071C03 MDFKS□□ 071-03 165 |
| 71 | 330 | 2.8 | 10.000 | 133 | 9324 | 103 | 9324 | 269 | 330 | 6.82E-04 | GST06 - 2S □□□ 071C03 MDFKS□□ 071-03 165 |
| 80 | 295 | 2.6 | 11.200 | 149 | 9324 | 115 | 9324 | 280 | 279 | 7.26E-04 | GST06 - 2S □□□ 071C03 MDFKS□□ 071-03 165 |
| 90 | 263 | 2.5 | 12.571 | 167 | 9324 | 129 | 9324 | 295 | 263 | 6.96E-04 | GST06 - 2S □□□ 071C03 MDFKS□□ 071-03 165 |
| 103 | 231 | 2.3 | 14.286 | 190 | 9324 | 147 | 9324 | 307 | 231 | 6.93E-04 | GST06 - 2S □□□ 071C03 MDFKS□□ 071-03 165 |
| 110 | 214 | 2.5 | 15.400 | 204 | 9324 | 158 | 9324 | 318 | 214 | 6.75E-04 | GST06 - 2S □□□ 071C03 MDFKS□□ 071-03 165 |
| 126 | 189 | 2.1 | 17.500 | 232 | 9324 | 180 | 9324 | 313 | 189 | 6.73E-04 | GST06 - 2S □□□ 071C03 MDFKS□□ 071-03 165 |
| 144 | 165 | 2.1 | 20.044 | 266 | 9324 | 206 | 9324 | 350 | 165 | 6.46E-04 | GST06 - 2S □□□ 071C03 MDFKS□□ 071-03 165 |
| 165 | 145 | 1.7 | 22.778 | 302 | 9324 | 234 | 9324 | 315 | 145 | 6.45E-04 | GST06 - 2S □□□ 071C03 MDFKS□□ 071-03 165 |
| 180 | 132 | 1.7 | 24.933 | 331 | 9324 | 256 | 9324 | 360 | 132 | 6.33E-04 | GST06 - 2S □□□ 071C03 MDFKS□□ 071-03 165 |
| 205 | 116 | 1.3 | 28.333 | 376 | 9324 | 291 | 9324 | 317 | 116 | 6.33E-04 | GST06 - 2S □□□ 071C03 MDFKS□□ 071-03 165 |
| 234 | 102 | 1.4 | 32.267 | 428 | 9324 | 332 | 9324 | 363 | 102 | 6.22E-04 | GST06 - 2S □□□ 071C03 MDFKS□□ 071-03 165 |
| 267 | 90 | 1.1 | 36.667 | 483 | 9324 | 377 | 9324 | 322 | 90 | 6.22E-04 | GST06 - 2S □□□ 071C03 MDFKS□□ 071-03 165 |
| 285 | 84 | 1.1 | 39.160 | 520 | 9324 | 402 | 9324 | 368 | 84 | 6.16E-04 | GST06 - 2S □□□ 071C03 MDFKS□□ 071-03 165 |
| 56 | 676 | 2.7 | 5.324 | 113 | 9325 | 89 | 9325 | 207 | 571 | 9.76E-04 | GST06 - 2S □□□ 071C13 MDFKS□□ 071-13 180 |
| 61 | 615 | 2.7 | 5.850 | 124 | 9325 | 98 | 9325 | 222 | 516 | 9.71E-04 | GST06 - 2S □□□ 071C13 MDFKS□□ 071-13 180 |
| 67 | 563 | 2.5 | 6.400 | 136 | 9325 | 107 | 9325 | 229 | 483 | 9.47E-04 | GST06 - 2S □□□ 071C13 MDFKS□□ 071-13 180 |
| 86 | 441 | 2.2 | 8.163 | 173 | 9325 | 136 | 9325 | 252 | 409 | 9.06E-04 | GST06 - 2S □□□ 071C13 MDFKS□□ 071-13 180 |
| 95 | 400 | 2.0 | 9.010 | 191 | 9325 | 150 | 9325 | 261 | 316 | 9.50E-04 | GST06 - 2S □□□ 071C13 MDFKS□□ 071-13 180 |
| 106 | 360 | 1.9 | 10.000 | 212 | 9325 | 167 | 9325 | 269 | 360 | 8.82E-04 | GST06 - 2S □□□ 071C13 MDFKS□□ 071-13 180 |
| 119 | 321 | 1.8 | 11.200 | 237 | 9325 | 187 | 9325 | 280 | 245 | 9.26E-04 | GST06 - 2S □□□ 071C13 MDFKS□□ 071-13 180 |
| 133 | 286 | 1.6 | 12.571 | 266 | 9325 | 209 | 9325 | 295 | 238 | 8.96E-04 | GST06 - 2S □□□ 071C13 MDFKS□□ 071-13 180 |
| 152 | 252 | 1.5 | 14.286 | 302 | 9325 | 238 | 9325 | 307 | 201 | 8.93E-04 | GST06 - 2S □□□ 071C13 MDFKS□□ 071-13 180 |
| 163 | 234 | 1.6 | 15.400 | 326 | 9325 | 257 | 9325 | 318 | 228 | 8.75E-04 | GST06 - 2S □□□ 071C13 MDFKS□□ 071-13 180 |
| 186 | 206 | 1.4 | 17.500 | 371 | 9325 | 292 | 9325 | 313 | 186 | 8.73E-04 | GST06 - 2S □□□ 071C13 MDFKS□□ 071-13 180 |
| 213 | 180 | 1.4 | 20.044 | 424 | 9325 | 334 | 9325 | 350 | 180 | 8.46E-04 | GST06 - 2S □□□ 071C13 MDFKS□□ 071-13 180 |
| 243 | 158 | 1.1 | 22.778 | 473 | 9325 | 379 | 9325 | 315 | 152 | 8.45E-04 | GST06 - 2S □□□ 071C13 MDFKS□□ 071-13 180 |
| 266 | 144 | 1.1 | 24.933 | 528 | 9325 | 415 | 9325 | 360 | 144 | 8.33E-04 | GST06 - 2S □□□ 071C13 MDFKS□□ 071-13 180 |
| 83 | 657 | 1.9 | 5.324 | 124 | 9325 | 142 | 9326 | 207 | 515 | 1.18E-03 | GST06 - 2S □□□ 071C33 MDFKS□□ 071-33 175 |
| 91 | 598 | 1.8 | 5.850 | 136 | 9325 | 156 | 9326 | 222 | 461 | 1.17E-03 | GST06 - 2S □□□ 071C33 MDFKS□□ 071-33 175 |
| 100 | 547 | 1.7 | 6.400 | 149 | 9325 | 171 | 9326 | 229 | 425 | 1.15E-03 | GST06 - 2S □□□ 071C33 MDFKS□□ 071-33 175 |
| 128 | 429 | 1.5 | 8.163 | 190 | 9325 | 218 | 9326 | 252 | 349 | 1.11E-03 | GST06 - 2S □□□ 071C33 MDFKS□□ 071-33 175 |
| 141 | 388 | 1.4 | 9.010 | 210 | 9325 | 241 | 9326 | 261 | 257 | 1.15E-03 | GST06 - 2S □□□ 071C33 MDFKS□□ 071-33 175 |

Observe the notes for thermal dimensioning.

Selection tables - Helical gearboxes

Forced ventilated synchronous geared servo motors

| M ₂ [Nm] | n ₂ trans [rpm] | c | i | M ₂ max short-time on geared motor at | | | | M ₂ Gr gearbox c=1 n ₁ ≤ 1400 rpm [Nm] | n ₂ therm [rpm] | J _{GM} referred to motor shaft [kgm ²] | Servo helical- geared motor Dimensions on Page 3-99 |
|------------------------|-------------------------------|------------|---------------|---|-------------|----------------------------|-------------|--|-------------------------------|---|--|
| | | | | 8 kHz | | 16 kHz | | | | | |
| | | | | M ₂ max [Nm] | Type EVS | M ₂ max [Nm] | Type EVS | | | | |
| 157 | 350 | 1.3 | 10.000 | 233 | 9325 | 267 | 9326 | 269 | 311 | 1.08E-03 | GST06 - 2S □□□ 071C33 MDFKS□□ 071-33 175 |
| 176 | 313 | 1.2 | 11.200 | 261 | 9325 | 299 | 9326 | 280 | 202 | 1.13E-03 | GST06 - 2S □□□ 071C33 MDFKS□□ 071-33 175 |
| 197 | 278 | 1.1 | 12.571 | 293 | 9325 | 336 | 9326 | 295 | 202 | 1.10E-03 | GST06 - 2S □□□ 071C33 MDFKS□□ 071-33 175 |
| 224 | 245 | 1.0 | 14.286 | 333 | 9325 | 382 | 9326 | 307 | 172 | 1.09E-03 | GST06 - 2S □□□ 071C33 MDFKS□□ 071-33 175 |
| 242 | 227 | 1.1 | 15.400 | 358 | 9325 | 412 | 9326 | 318 | 190 | 1.07E-03 | GST06 - 2S □□□ 071C33 MDFKS□□ 071-33 175 |
| 315 | 75 | 1.0 | 44.000 | 503 | 9324 | 445 | 9324 | 335 | 75 | 6.20E-04 | GST06 - 3S □□□ 071C03 MDFKS□□ 071-03 165 |
| 20 | 1155 | 4.3 | 2.857 | 39 | 9324 | 30 | 9324 | 118 | 1155 | 8.69E-04 | GST07 - 1S □□□ 071C03 MDFKS□□ 071-03 165 |
| 33 | 724 | 3.4 | 4.556 | 61 | 9324 | 48 | 9324 | 150 | 724 | 7.37E-04 | GST07 - 1S □□□ 071C03 MDFKS□□ 071-03 165 |
| 40 | 591 | 2.9 | 5.583 | 75 | 9324 | 58 | 9324 | 156 | 591 | 7.05E-04 | GST07 - 1S □□□ 071C03 MDFKS□□ 071-03 165 |
| 53 | 450 | 2.3 | 7.333 | 99 | 9324 | 77 | 9324 | 161 | 450 | 6.66E-04 | GST07 - 1S □□□ 071C03 MDFKS□□ 071-03 165 |
| 65 | 371 | 1.9 | 8.900 | 120 | 9324 | 93 | 9324 | 164 | 371 | 6.49E-04 | GST07 - 1S □□□ 071C03 MDFKS□□ 071-03 165 |
| 83 | 293 | 1.3 | 11.250 | 152 | 9324 | 117 | 9324 | 136 | 293 | 6.32E-04 | GST07 - 1S □□□ 071C03 MDFKS□□ 071-03 165 |
| 30 | 1260 | 2.9 | 2.857 | 61 | 9325 | 48 | 9325 | 118 | 1081 | 1.07E-03 | GST07 - 1S □□□ 071C13 MDFKS□□ 071-13 180 |
| 49 | 790 | 2.3 | 4.556 | 98 | 9325 | 77 | 9325 | 150 | 790 | 9.37E-04 | GST07 - 1S □□□ 071C13 MDFKS□□ 071-13 180 |
| 60 | 645 | 1.9 | 5.583 | 120 | 9325 | 94 | 9325 | 156 | 645 | 9.05E-04 | GST07 - 1S □□□ 071C13 MDFKS□□ 071-13 180 |
| 79 | 491 | 1.5 | 7.333 | 158 | 9325 | 124 | 9325 | 161 | 491 | 8.66E-04 | GST07 - 1S □□□ 071C13 MDFKS□□ 071-13 180 |
| 96 | 404 | 1.3 | 8.900 | 191 | 9325 | 151 | 9325 | 164 | 404 | 8.49E-04 | GST07 - 1S □□□ 071C13 MDFKS□□ 071-13 180 |
| 45 | 1225 | 2.0 | 2.857 | 68 | 9325 | 78 | 9326 | 118 | 995 | 1.27E-03 | GST07 - 1S □□□ 071C33 MDFKS□□ 071-33 175 |
| 72 | 768 | 1.6 | 4.556 | 108 | 9325 | 124 | 9326 | 150 | 742 | 1.14E-03 | GST07 - 1S □□□ 071C33 MDFKS□□ 071-33 175 |
| 89 | 627 | 1.3 | 5.583 | 132 | 9325 | 152 | 9326 | 156 | 627 | 1.11E-03 | GST07 - 1S □□□ 071C33 MDFKS□□ 071-33 175 |
| 117 | 477 | 1.0 | 7.333 | 173 | 9325 | 199 | 9326 | 161 | 477 | 1.07E-03 | GST07 - 1S □□□ 071C33 MDFKS□□ 071-33 175 |
| 88 | 263 | 4.3 | 12.571 | 167 | 9324 | 129 | 9324 | 513 | 263 | 8.86E-04 | GST07 - 2S □□□ 071C03 MDFKS□□ 071-03 165 |
| 100 | 231 | 4.3 | 14.286 | 190 | 9324 | 147 | 9324 | 583 | 231 | 8.79E-04 | GST07 - 2S □□□ 071C03 MDFKS□□ 071-03 165 |
| 142 | 165 | 3.9 | 20.044 | 266 | 9324 | 206 | 9324 | 650 | 165 | 7.38E-04 | GST07 - 2S □□□ 071C03 MDFKS□□ 071-03 165 |
| 161 | 145 | 3.6 | 22.778 | 302 | 9324 | 234 | 9324 | 682 | 145 | 7.35E-04 | GST07 - 2S □□□ 071C03 MDFKS□□ 071-03 165 |
| 175 | 134 | 3.3 | 24.567 | 326 | 9324 | 252 | 9324 | 677 | 134 | 7.02E-04 | GST07 - 2S □□□ 071C03 MDFKS□□ 071-03 165 |
| 199 | 118 | 3.0 | 27.917 | 371 | 9324 | 287 | 9324 | 691 | 118 | 7.01E-04 | GST07 - 2S □□□ 071C03 MDFKS□□ 071-03 165 |
| 231 | 102 | 2.6 | 32.267 | 428 | 9324 | 332 | 9324 | 698 | 102 | 6.66E-04 | GST07 - 2S □□□ 071C03 MDFKS□□ 071-03 165 |
| 263 | 90 | 2.3 | 36.667 | 487 | 9324 | 377 | 9324 | 702 | 90 | 6.65E-04 | GST07 - 2S □□□ 071C03 MDFKS□□ 071-03 165 |
| 282 | 84 | 2.2 | 39.160 | 520 | 9324 | 402 | 9324 | 706 | 84 | 6.49E-04 | GST07 - 2S □□□ 071C03 MDFKS□□ 071-03 165 |
| 320 | 74 | 2.1 | 44.500 | 591 | 9324 | 457 | 9324 | 707 | 74 | 6.48E-04 | GST07 - 2S □□□ 071C03 MDFKS□□ 071-03 165 |
| 358 | 67 | 1.6 | 49.500 | 657 | 9324 | 509 | 9324 | 600 | 67 | 6.33E-04 | GST07 - 2S □□□ 071C03 MDFKS□□ 071-03 165 |
| 407 | 59 | 1.6 | 56.250 | 747 | 9324 | 578 | 9324 | 688 | 59 | 6.33E-04 | GST07 - 2S □□□ 071C03 MDFKS□□ 071-03 165 |
| 132 | 286 | 2.9 | 12.571 | 266 | 9325 | 209 | 9325 | 513 | 246 | 1.09E-03 | GST07 - 2S □□□ 071C13 MDFKS□□ 071-13 180 |

Observe the notes for thermal dimensioning.

Selection tables - Helical gearboxes

Forced ventilated synchronous geared servo motors



| M ₂ [Nm] | n _{2 trans} [rpm] | c | i | M _{2 max} short-time on geared motor at | | | | M _{2 Gr} gearbox c=1 n ₁ ≤ 1400 rpm [Nm] | n _{2 therm} [rpm] | J _{GM} referred to motor shaft [kgm ²] | Servo helical-geared motor Dimensions on Page 3-99 |
|------------------------|-------------------------------|------------|---------------|--|-------------|----------------------------|-------------|---|-------------------------------|--|---|
| | | | | 8 kHz | | 16 kHz | | | | | |
| | | | | M _{2 max} [Nm] | Type EVS | M _{2 max} [Nm] | Type EVS | | | | |
| 150 | 252 | 2.9 | 14.286 | 302 | 9325 | 238 | 9325 | 583 | 216 | 1.08E-03 | GST07 - 2S □□□ 071C13 MDFKS□□ 071-13 180 |
| 210 | 180 | 2.6 | 20.044 | 424 | 9325 | 334 | 9325 | 650 | 180 | 9.38E-04 | GST07 - 2S □□□ 071C13 MDFKS□□ 071-13 180 |
| 240 | 158 | 2.4 | 22.778 | 482 | 9325 | 379 | 9325 | 682 | 158 | 9.35E-04 | GST07 - 2S □□□ 071C13 MDFKS□□ 071-13 180 |
| 259 | 147 | 2.2 | 24.567 | 520 | 9325 | 409 | 9325 | 677 | 147 | 9.02E-04 | GST07 - 2S □□□ 071C13 MDFKS□□ 071-13 180 |
| 295 | 129 | 2.0 | 27.917 | 591 | 9325 | 465 | 9325 | 691 | 129 | 9.01E-04 | GST07 - 2S □□□ 071C13 MDFKS□□ 071-13 180 |
| 342 | 112 | 1.7 | 32.267 | 683 | 9325 | 538 | 9325 | 698 | 112 | 8.66E-04 | GST07 - 2S □□□ 071C13 MDFKS□□ 071-13 180 |
| 389 | 98 | 1.5 | 36.667 | 776 | 9325 | 611 | 9325 | 702 | 98 | 8.65E-04 | GST07 - 2S □□□ 071C13 MDFKS□□ 071-13 180 |
| 416 | 92 | 1.4 | 39.160 | 829 | 9325 | 652 | 9325 | 706 | 92 | 8.49E-04 | GST07 - 2S □□□ 071C13 MDFKS□□ 071-13 180 |
| 473 | 81 | 1.4 | 44.500 | 942 | 9325 | 741 | 9325 | 707 | 81 | 8.48E-04 | GST07 - 2S □□□ 071C13 MDFKS□□ 071-13 180 |
| 528 | 73 | 1.1 | 49.500 | 900 | 9325 | 825 | 9325 | 600 | 73 | 8.33E-04 | GST07 - 2S □□□ 071C13 MDFKS□□ 071-13 180 |
| 600 | 64 | 1.1 | 56.250 | 1032 | 9325 | 937 | 9325 | 688 | 64 | 8.33E-04 | GST07 - 2S □□□ 071C13 MDFKS□□ 071-13 180 |
| 196 | 278 | 2.0 | 12.571 | 293 | 9325 | 336 | 9326 | 513 | 226 | 1.29E-03 | GST07 - 2S □□□ 071C33 MDFKS□□ 071-33 175 |
| 222 | 245 | 2.0 | 14.286 | 333 | 9325 | 382 | 9326 | 583 | 199 | 1.28E-03 | GST07 - 2S □□□ 071C33 MDFKS□□ 071-33 175 |
| 313 | 175 | 1.8 | 20.044 | 467 | 9325 | 536 | 9326 | 650 | 175 | 1.14E-03 | GST07 - 2S □□□ 071C33 MDFKS□□ 071-33 175 |
| 356 | 154 | 1.6 | 22.778 | 530 | 9325 | 609 | 9326 | 682 | 152 | 1.14E-03 | GST07 - 2S □□□ 071C33 MDFKS□□ 071-33 175 |
| 384 | 142 | 1.5 | 24.567 | 572 | 9325 | 657 | 9326 | 677 | 142 | 1.10E-03 | GST07 - 2S □□□ 071C33 MDFKS□□ 071-33 175 |
| 437 | 125 | 1.3 | 27.917 | 650 | 9325 | 746 | 9326 | 691 | 125 | 1.10E-03 | GST07 - 2S □□□ 071C33 MDFKS□□ 071-33 175 |
| 506 | 108 | 1.2 | 32.267 | 751 | 9325 | 863 | 9326 | 698 | 108 | 1.07E-03 | GST07 - 2S □□□ 071C33 MDFKS□□ 071-33 175 |
| 576 | 95 | 1.0 | 36.667 | 853 | 9325 | 980 | 9326 | 702 | 95 | 1.07E-03 | GST07 - 2S □□□ 071C33 MDFKS□□ 071-33 175 |
| 278 | 84 | 2.2 | 39.200 | 513 | 9324 | 397 | 9324 | 692 | 84 | 6.97E-04 | GST07 - 3S □□□ 071C03 MDFKS□□ 071-03 165 |
| 312 | 75 | 2.2 | 44.000 | 575 | 9324 | 445 | 9324 | 706 | 75 | 6.53E-04 | GST07 - 3S □□□ 071C03 MDFKS□□ 071-03 165 |
| 362 | 65 | 1.9 | 51.022 | 667 | 9324 | 516 | 9324 | 700 | 65 | 6.84E-04 | GST07 - 3S □□□ 071C03 MDFKS□□ 071-03 165 |
| 383 | 61 | 1.8 | 53.900 | 705 | 9324 | 546 | 9324 | 706 | 61 | 6.48E-04 | GST07 - 3S □□□ 071C03 MDFKS□□ 071-03 165 |
| 464 | 51 | 1.5 | 65.079 | 851 | 9324 | 659 | 9324 | 707 | 51 | 6.31E-04 | GST07 - 3S □□□ 071C03 MDFKS□□ 071-03 165 |
| 501 | 47 | 1.4 | 70.156 | 917 | 9324 | 710 | 9324 | 706 | 47 | 6.43E-04 | GST07 - 3S □□□ 071C03 MDFKS□□ 071-03 165 |
| 570 | 41 | 1.2 | 79.762 | 1043 | 9324 | 807 | 9324 | 710 | 41 | 6.54E-04 | GST07 - 3S □□□ 071C03 MDFKS□□ 071-03 165 |
| 616 | 38 | 1.1 | 85.983 | 1059 | 9324 | 870 | 9324 | 706 | 38 | 6.40E-04 | GST07 - 3S □□□ 071C03 MDFKS□□ 071-03 165 |
| 410 | 92 | 1.4 | 39.200 | 817 | 9325 | 643 | 9325 | 692 | 92 | 8.97E-04 | GST07 - 3S □□□ 071C13 MDFKS□□ 071-13 180 |
| 460 | 82 | 1.4 | 44.000 | 918 | 9325 | 722 | 9325 | 706 | 82 | 8.53E-04 | GST07 - 3S □□□ 071C13 MDFKS□□ 071-13 180 |
| 535 | 71 | 1.2 | 51.022 | 1050 | 9325 | 837 | 9325 | 700 | 69 | 8.84E-04 | GST07 - 3S □□□ 071C13 MDFKS□□ 071-13 180 |
| 566 | 67 | 1.2 | 53.900 | 1059 | 9325 | 884 | 9325 | 706 | 67 | 8.48E-04 | GST07 - 3S □□□ 071C13 MDFKS□□ 071-13 180 |
| 278 | 82 | 4.1 | 40.136 | 525 | 9324 | 406 | 9324 | 1344 | 82 | 8.14E-04 | GST09 - 3S □□□ 071C03 MDFKS□□ 071-03 165 |
| 300 | 76 | 4.0 | 43.267 | 566 | 9324 | 438 | 9324 | 1290 | 76 | 7.55E-04 | GST09 - 3S □□□ 071C03 MDFKS□□ 071-03 165 |
| 341 | 67 | 4.0 | 49.167 | 643 | 9324 | 498 | 9324 | 1466 | 67 | 7.53E-04 | GST09 - 3S □□□ 071C03 MDFKS□□ 071-03 165 |

Observe the notes for thermal dimensioning.

Selection tables - Helical gearboxes

Forced ventilated synchronous geared servo motors

| M ₂ [Nm] | n _{2 trans} [rpm] | c | i | M _{2 max} short-time on geared motor at | | | | M _{2 Gr} gearbox c=1 n ₁ ≤ 1400 rpm [Nm] | n _{2 therm} [rpm] | J _{GM} referred to motor shaft [kgm ²] | Servo helical- geared motor Dimensions on Page 3-99 |
|------------------------|-------------------------------|-----|---------|---|-------------|----------------------------|-------------|--|-------------------------------|---|--|
| | | | | 8 kHz | | 16 kHz | | | | | |
| | | | | M _{2 max} [Nm] | Type EVS | M _{2 max} [Nm] | Type EVS | | | | |
| 370 | 62 | 3.5 | 53.044 | 694 | 9324 | 537 | 9324 | 1379 | 62 | 7.38E-04 | GST09 - 3S □□□ 071C03 MDFKS□□ 071-03 165 |
| 421 | 55 | 3.5 | 60.278 | 788 | 9324 | 610 | 9324 | 1565 | 55 | 7.37E-04 | GST09 - 3S □□□ 071C03 MDFKS□□ 071-03 165 |
| 506 | 46 | 2.8 | 71.867 | 940 | 9324 | 727 | 9324 | 1477 | 46 | 7.17E-04 | GST09 - 3S □□□ 071C03 MDFKS□□ 071-03 165 |
| 575 | 40 | 2.6 | 81.667 | 1068 | 9324 | 827 | 9324 | 1584 | 40 | 7.16E-04 | GST09 - 3S □□□ 071C03 MDFKS□□ 071-03 165 |
| 661 | 35 | 2.3 | 93.541 | 1223 | 9324 | 947 | 9324 | 1613 | 35 | 6.71E-04 | GST09 - 3S □□□ 071C03 MDFKS□□ 071-03 165 |
| 702 | 33 | 2.2 | 99.167 | 1297 | 9324 | 1004 | 9324 | 1596 | 33 | 7.07E-04 | GST09 - 3S □□□ 071C03 MDFKS□□ 071-03 165 |
| 806 | 29 | 1.9 | 113.585 | 1485 | 9324 | 1150 | 9324 | 1613 | 29 | 6.65E-04 | GST09 - 3S □□□ 071C03 MDFKS□□ 071-03 165 |
| 918 | 26 | 1.7 | 129.074 | 1688 | 9324 | 1306 | 9324 | 1612 | 26 | 6.65E-04 | GST09 - 3S □□□ 071C03 MDFKS□□ 071-03 165 |
| 1007 | 23 | 1.5 | 141.289 | 1847 | 9324 | 1430 | 9324 | 1613 | 23 | 6.46E-04 | GST09 - 3S □□□ 071C03 MDFKS□□ 071-03 165 |
| 1146 | 21 | 1.4 | 160.556 | 2099 | 9324 | 1625 | 9324 | 1623 | 21 | 6.46E-04 | GST09 - 3S □□□ 071C03 MDFKS□□ 071-03 165 |
| 1308 | 18 | 1.2 | 182.844 | 2390 | 9324 | 1851 | 9324 | 1613 | 18 | 6.30E-04 | GST09 - 3S □□□ 071C03 MDFKS□□ 071-03 165 |
| 1488 | 16 | 1.1 | 207.778 | 2435 | 9324 | 2103 | 9324 | 1623 | 16 | 6.30E-04 | GST09 - 3S □□□ 071C03 MDFKS□□ 071-03 165 |
| 414 | 90 | 2.7 | 40.136 | 837 | 9325 | 659 | 9325 | 1344 | 90 | 1.01E-03 | GST09 - 3S □□□ 071C13 MDFKS□□ 071-13 180 |
| 447 | 83 | 2.7 | 43.267 | 902 | 9325 | 710 | 9325 | 1290 | 83 | 9.55E-04 | GST09 - 3S □□□ 071C13 MDFKS□□ 071-13 180 |
| 508 | 73 | 2.7 | 49.167 | 1025 | 9325 | 807 | 9325 | 1466 | 73 | 9.53E-04 | GST09 - 3S □□□ 071C13 MDFKS□□ 071-13 180 |
| 550 | 68 | 2.3 | 53.044 | 1106 | 9325 | 870 | 9325 | 1379 | 68 | 9.38E-04 | GST09 - 3S □□□ 071C13 MDFKS□□ 071-13 180 |
| 625 | 60 | 2.3 | 60.278 | 1257 | 9325 | 989 | 9325 | 1565 | 60 | 9.37E-04 | GST09 - 3S □□□ 071C13 MDFKS□□ 071-13 180 |
| 749 | 50 | 1.8 | 71.867 | 1499 | 9325 | 1179 | 9325 | 1477 | 50 | 9.17E-04 | GST09 - 3S □□□ 071C13 MDFKS□□ 071-13 180 |
| 852 | 44 | 1.7 | 81.667 | 1703 | 9325 | 1340 | 9325 | 1584 | 44 | 9.16E-04 | GST09 - 3S □□□ 071C13 MDFKS□□ 071-13 180 |
| 978 | 38 | 1.5 | 93.541 | 1951 | 9325 | 1535 | 9325 | 1613 | 38 | 8.71E-04 | GST09 - 3S □□□ 071C13 MDFKS□□ 071-13 180 |
| 1038 | 36 | 1.4 | 99.167 | 2068 | 9325 | 1627 | 9325 | 1596 | 36 | 9.07E-04 | GST09 - 3S □□□ 071C13 MDFKS□□ 071-13 180 |
| 1191 | 32 | 1.3 | 113.585 | 2369 | 9325 | 1864 | 9325 | 1613 | 32 | 8.65E-04 | GST09 - 3S □□□ 071C13 MDFKS□□ 071-13 180 |
| 1355 | 28 | 1.1 | 129.074 | 2418 | 9325 | 2118 | 9325 | 1612 | 28 | 8.65E-04 | GST09 - 3S □□□ 071C13 MDFKS□□ 071-13 180 |
| 1485 | 25 | 1.0 | 141.289 | 2420 | 9325 | 2318 | 9325 | 1613 | 25 | 8.46E-04 | GST09 - 3S □□□ 071C13 MDFKS□□ 071-13 180 |
| 616 | 87 | 1.9 | 40.136 | 920 | 9325 | 1057 | 9326 | 1344 | 87 | 1.21E-03 | GST09 - 3S □□□ 071C33 MDFKS□□ 071-33 175 |
| 664 | 81 | 1.8 | 43.267 | 992 | 9325 | 1139 | 9326 | 1290 | 81 | 1.16E-03 | GST09 - 3S □□□ 071C33 MDFKS□□ 071-33 175 |
| 755 | 71 | 1.8 | 49.167 | 1127 | 9325 | 1295 | 9326 | 1466 | 71 | 1.15E-03 | GST09 - 3S □□□ 071C33 MDFKS□□ 071-33 175 |
| 816 | 66 | 1.6 | 53.044 | 1216 | 9325 | 1397 | 9326 | 1379 | 66 | 1.14E-03 | GST09 - 3S □□□ 071C33 MDFKS□□ 071-33 175 |
| 927 | 58 | 1.6 | 60.278 | 1382 | 9325 | 1587 | 9326 | 1565 | 58 | 1.14E-03 | GST09 - 3S □□□ 071C33 MDFKS□□ 071-33 175 |
| 1110 | 49 | 1.3 | 71.867 | 1648 | 9325 | 1892 | 9326 | 1477 | 49 | 1.12E-03 | GST09 - 3S □□□ 071C33 MDFKS□□ 071-33 175 |
| 1262 | 43 | 1.2 | 81.667 | 1872 | 9325 | 2150 | 9326 | 1584 | 43 | 1.12E-03 | GST09 - 3S □□□ 071C33 MDFKS□□ 071-33 175 |
| 1447 | 37 | 1.1 | 93.541 | 2145 | 9325 | 2420 | 9326 | 1613 | 37 | 1.07E-03 | GST09 - 3S □□□ 071C33 MDFKS□□ 071-33 175 |
| 281 | 81 | 4.9 | 40.816 | 534 | 9324 | 413 | 9324 | 1641 | 81 | 1.24E-03 | GST11 - 3S □□□ 071C03 MDFKS□□ 071-03 165 |
| 301 | 75 | 5.4 | 44.000 | 575 | 9324 | 445 | 9324 | 1769 | 75 | 1.17E-03 | GST11 - 3S □□□ 071C03 MDFKS□□ 071-03 165 |

Observe the notes for thermal dimensioning.

Selection tables - Helical gearboxes

Forced ventilated synchronous geared servo motors



| M ₂ [Nm] | n ₂ trans [rpm] | c | i | M ₂ max short-time on geared motor at | | | | M ₂ Gr gearbox c=1 n ₁ ≤ 1400 rpm [Nm] | n ₂ therm [rpm] | J _{GM} referred to motor shaft [kgm ²] | Servo helical- geared motor Dimensions on Page 3-99 |
|------------------------|-------------------------------|-----|---------|---|-------------|----------------------------|-------------|--|-------------------------------|---|--|
| | | | | 8 kHz | | 16 kHz | | | | | |
| | | | | M ₂ max [Nm] | Type EVS | M ₂ max [Nm] | Type EVS | | | | |
| 342 | 66 | 5.4 | 50.000 | 654 | 9324 | 506 | 9324 | 2010 | 66 | 1.16E-03 | GST11 - 3S □□□ 071C03 MDFKS□□ 071-03 165 |
| 396 | 57 | 5.4 | 57.968 | 758 | 9324 | 587 | 9324 | 2331 | 57 | 1.08E-03 | GST11 - 3S □□□ 071C03 MDFKS□□ 071-03 165 |
| 906 | 26 | 2.9 | 129.074 | 1688 | 9324 | 1306 | 9324 | 2810 | 26 | 7.94E-04 | GST11 - 3S □□□ 071C03 MDFKS□□ 071-03 165 |
| 1037 | 22 | 2.5 | 146.993 | 1922 | 9324 | 1488 | 9324 | 2695 | 22 | 7.77E-04 | GST11 - 3S □□□ 071C03 MDFKS□□ 071-03 165 |
| 1117 | 21 | 2.4 | 158.194 | 2068 | 9324 | 1601 | 9324 | 2810 | 21 | 7.40E-04 | GST11 - 3S □□□ 071C03 MDFKS□□ 071-03 165 |
| 1277 | 18 | 2.0 | 180.156 | 2355 | 9324 | 1823 | 9324 | 2695 | 18 | 7.29E-04 | GST11 - 3S □□□ 071C03 MDFKS□□ 071-03 165 |
| 1476 | 16 | 1.8 | 207.778 | 2716 | 9324 | 2103 | 9324 | 2810 | 16 | 6.88E-04 | GST11 - 3S □□□ 071C03 MDFKS□□ 071-03 165 |
| 1686 | 14 | 1.5 | 236.622 | 3094 | 9324 | 2395 | 9324 | 2695 | 14 | 6.82E-04 | GST11 - 3S □□□ 071C03 MDFKS□□ 071-03 165 |
| 1798 | 13 | 1.5 | 252.167 | 3297 | 9324 | 2552 | 9324 | 2810 | 13 | 6.63E-04 | GST11 - 3S □□□ 071C03 MDFKS□□ 071-03 165 |
| 1919 | 12 | 1.4 | 268.889 | 3515 | 9324 | 2721 | 9324 | 2848 | 12 | 6.82E-04 | GST11 - 3S □□□ 071C03 MDFKS□□ 071-03 165 |
| 2335 | 10 | 1.2 | 326.333 | 4266 | 9324 | 3303 | 9324 | 2848 | 10 | 6.59E-04 | GST11 - 3S □□□ 071C03 MDFKS□□ 071-03 165 |
| 2602 | 9.1 | 1.0 | 363.000 | 4043 | 9324 | 3674 | 9324 | 2695 | 9.1 | 6.76E-04 | GST11 - 3S □□□ 071C03 MDFKS□□ 071-03 165 |
| 419 | 88 | 3.2 | 40.816 | 851 | 9325 | 670 | 9325 | 1641 | 88 | 1.44E-03 | GST11 - 3S □□□ 071C13 MDFKS□□ 071-13 180 |
| 450 | 82 | 3.6 | 44.000 | 918 | 9325 | 722 | 9325 | 1769 | 82 | 1.37E-03 | GST11 - 3S □□□ 071C13 MDFKS□□ 071-13 180 |
| 511 | 72 | 3.6 | 50.000 | 1043 | 9325 | 820 | 9325 | 2010 | 72 | 1.36E-03 | GST11 - 3S □□□ 071C13 MDFKS□□ 071-13 180 |
| 593 | 62 | 3.6 | 57.968 | 1209 | 9325 | 951 | 9325 | 2331 | 62 | 1.28E-03 | GST11 - 3S □□□ 071C13 MDFKS□□ 071-13 180 |
| 1343 | 28 | 1.9 | 129.074 | 2692 | 9325 | 2118 | 9325 | 2810 | 28 | 9.94E-04 | GST11 - 3S □□□ 071C13 MDFKS□□ 071-13 180 |
| 1535 | 24 | 1.6 | 146.993 | 3065 | 9325 | 2412 | 9325 | 2695 | 24 | 9.77E-04 | GST11 - 3S □□□ 071C13 MDFKS□□ 071-13 180 |
| 1653 | 23 | 1.6 | 158.194 | 3299 | 9325 | 2596 | 9325 | 2810 | 23 | 9.40E-04 | GST11 - 3S □□□ 071C13 MDFKS□□ 071-13 180 |
| 1887 | 20 | 1.3 | 180.156 | 3757 | 9325 | 2956 | 9325 | 2695 | 20 | 9.29E-04 | GST11 - 3S □□□ 071C13 MDFKS□□ 071-13 180 |
| 2179 | 17 | 1.2 | 207.778 | 4215 | 9325 | 3409 | 9325 | 2810 | 17 | 8.88E-04 | GST11 - 3S □□□ 071C13 MDFKS□□ 071-13 180 |
| 2487 | 15 | 1.0 | 236.622 | 4043 | 9325 | 3883 | 9325 | 2695 | 15 | 8.82E-04 | GST11 - 3S □□□ 071C13 MDFKS□□ 071-13 180 |
| 624 | 86 | 2.2 | 40.816 | 936 | 9325 | 1075 | 9326 | 1641 | 86 | 1.64E-03 | GST11 - 3S □□□ 071C33 MDFKS□□ 071-33 175 |
| 671 | 80 | 2.5 | 44.000 | 1009 | 9325 | 1159 | 9326 | 1769 | 80 | 1.57E-03 | GST11 - 3S □□□ 071C33 MDFKS□□ 071-33 175 |
| 762 | 70 | 2.5 | 50.000 | 1146 | 9325 | 1316 | 9326 | 2010 | 70 | 1.56E-03 | GST11 - 3S □□□ 071C33 MDFKS□□ 071-33 175 |
| 884 | 60 | 2.5 | 57.968 | 1329 | 9325 | 1526 | 9326 | 2331 | 60 | 1.48E-03 | GST11 - 3S □□□ 071C33 MDFKS□□ 071-33 175 |
| 1991 | 27 | 1.3 | 129.074 | 2959 | 9325 | 3398 | 9326 | 2810 | 27 | 1.19E-03 | GST11 - 3S □□□ 071C33 MDFKS□□ 071-33 175 |
| 2273 | 24 | 1.1 | 146.993 | 3370 | 9325 | 3870 | 9326 | 2695 | 24 | 1.18E-03 | GST11 - 3S □□□ 071C33 MDFKS□□ 071-33 175 |
| 2447 | 22 | 1.1 | 158.194 | 3627 | 9325 | 4165 | 9326 | 2810 | 22 | 1.14E-03 | GST11 - 3S □□□ 071C33 MDFKS□□ 071-33 175 |

Observe the notes for thermal dimensioning.

Selection tables - Helical gearboxes

Naturally ventilated asynchronous geared servo motors

| M ₂ [Nm] | n ₂ trans [rpm] | c | i | M ₂ max short-time on geared motor at | | | | M ₂ Gr gearbox c=1 n ₁ ≤ 1400 rpm [Nm] | n ₂ therm [rpm] | J _{GM} referred to motor shaft [kgm ²] | Servo helical- geared motor Dimensions on Page 3-99 |
|------------------------|-------------------------------|------------|--------------|---|-------------|----------------------------|-------------|--|-------------------------------|---|--|
| | | | | 8 kHz | | 16 kHz | | | | | |
| | | | | M ₂ max [Nm] | Type EVS | M ₂ max [Nm] | Type EVS | | | | |
| 3 | 2469 | 4.4 | 1.600 | 7 | 9322 | 8 | 9323 | 19 | 2439 | 2.67E-04 | GST04 - 1A □□□ 056C22 MDSKA□□ 056-22 140 |
| 4 | 1929 | 4.1 | 2.048 | 9 | 9322 | 11 | 9323 | 23 | 1929 | 2.59E-04 | GST04 - 1A □□□ 056C22 MDSKA□□ 056-22 140 |
| 4 | 1763 | 4.1 | 2.240 | 10 | 9322 | 12 | 9323 | 25 | 1763 | 2.57E-04 | GST04 - 1A □□□ 056C22 MDSKA□□ 056-22 140 |
| 6 | 1383 | 3.2 | 2.857 | 13 | 9322 | 15 | 9323 | 25 | 1383 | 2.53E-04 | GST04 - 1A □□□ 056C22 MDSKA□□ 056-22 140 |
| 7 | 1129 | 2.6 | 3.500 | 15 | 9322 | 18 | 9323 | 25 | 1129 | 2.50E-04 | GST04 - 1A □□□ 056C22 MDSKA□□ 056-22 140 |
| 9 | 898 | 2.1 | 4.400 | 19 | 9322 | 23 | 9323 | 25 | 898 | 2.47E-04 | GST04 - 1A □□□ 056C22 MDSKA□□ 056-22 140 |
| 11 | 697 | 1.6 | 5.667 | 25 | 9322 | 30 | 9323 | 25 | 697 | 2.45E-04 | GST04 - 1A □□□ 056C22 MDSKA□□ 056-22 140 |
| 6 | 2531 | 2.2 | 1.600 | 20 | 9324 | 15 | 9324 | 19 | 2159 | 8.57E-04 | GST04 - 1A □□□ 071C22 MDSKA□□ 071-22 140 |
| 8 | 1978 | 2.0 | 2.048 | 25 | 9324 | 19 | 9324 | 23 | 1966 | 8.49E-04 | GST04 - 1A □□□ 071C22 MDSKA□□ 071-22 140 |
| 9 | 1808 | 2.0 | 2.240 | 28 | 9324 | 20 | 9324 | 25 | 1808 | 8.47E-04 | GST04 - 1A □□□ 071C22 MDSKA□□ 071-22 140 |
| 11 | 1418 | 1.6 | 2.857 | 36 | 9324 | 26 | 9324 | 25 | 1418 | 8.43E-04 | GST04 - 1A □□□ 071C22 MDSKA□□ 071-22 140 |
| 14 | 1157 | 1.3 | 3.500 | 38 | 9324 | 32 | 9324 | 25 | 1157 | 8.40E-04 | GST04 - 1A □□□ 071C22 MDSKA□□ 071-22 140 |
| 6 | 1336 | 4.9 | 2.956 | 13 | 9322 | 15 | 9323 | 39 | 1218 | 2.74E-04 | GST04 - 2A □□□ 056C22 MDSKA□□ 056-22 140 |
| 6 | 1185 | 4.7 | 3.333 | 14 | 9322 | 17 | 9323 | 42 | 1070 | 2.72E-04 | GST04 - 2A □□□ 056C22 MDSKA□□ 056-22 140 |
| 8 | 975 | 4.1 | 4.053 | 18 | 9322 | 21 | 9323 | 45 | 953 | 2.71E-04 | GST04 - 2A □□□ 056C22 MDSKA□□ 056-22 140 |
| 9 | 864 | 3.9 | 4.571 | 20 | 9322 | 24 | 9323 | 48 | 837 | 2.70E-04 | GST04 - 2A □□□ 056C22 MDSKA□□ 056-22 140 |
| 10 | 761 | 3.6 | 5.187 | 22 | 9322 | 27 | 9323 | 50 | 761 | 2.62E-04 | GST04 - 2A □□□ 056C22 MDSKA□□ 056-22 140 |
| 11 | 675 | 3.4 | 5.850 | 25 | 9322 | 30 | 9323 | 53 | 675 | 2.62E-04 | GST04 - 2A □□□ 056C22 MDSKA□□ 056-22 140 |
| 12 | 617 | 3.2 | 6.400 | 28 | 9322 | 33 | 9323 | 55 | 617 | 2.59E-04 | GST04 - 2A □□□ 056C22 MDSKA□□ 056-22 140 |
| 13 | 561 | 3.0 | 7.040 | 30 | 9322 | 36 | 9323 | 57 | 520 | 2.66E-04 | GST04 - 2A □□□ 056C22 MDSKA□□ 056-22 140 |
| 15 | 494 | 2.7 | 8.000 | 35 | 9322 | 41 | 9323 | 59 | 450 | 2.66E-04 | GST04 - 2A □□□ 056C22 MDSKA□□ 056-22 140 |
| 17 | 438 | 2.6 | 9.010 | 39 | 9322 | 46 | 9323 | 63 | 438 | 2.59E-04 | GST04 - 2A □□□ 056C22 MDSKA□□ 056-22 140 |
| 19 | 401 | 2.5 | 9.856 | 43 | 9322 | 51 | 9323 | 65 | 401 | 2.57E-04 | GST04 - 2A □□□ 056C22 MDSKA□□ 056-22 140 |
| 22 | 353 | 2.0 | 11.200 | 48 | 9322 | 58 | 9323 | 60 | 353 | 2.57E-04 | GST04 - 2A □□□ 056C22 MDSKA□□ 056-22 140 |
| 24 | 314 | 2.1 | 12.571 | 54 | 9322 | 65 | 9323 | 69 | 314 | 2.53E-04 | GST04 - 2A □□□ 056C22 MDSKA□□ 056-22 140 |
| 28 | 277 | 1.6 | 14.286 | 62 | 9322 | 74 | 9323 | 61 | 277 | 2.52E-04 | GST04 - 2A □□□ 056C22 MDSKA□□ 056-22 140 |
| 30 | 256 | 1.9 | 15.400 | 67 | 9322 | 79 | 9323 | 70 | 256 | 2.50E-04 | GST04 - 2A □□□ 056C22 MDSKA□□ 056-22 140 |
| 34 | 226 | 1.5 | 17.500 | 76 | 9322 | 90 | 9323 | 62 | 226 | 2.50E-04 | GST04 - 2A □□□ 056C22 MDSKA□□ 056-22 140 |
| 37 | 204 | 1.5 | 19.360 | 84 | 9322 | 100 | 9323 | 70 | 204 | 2.46E-04 | GST04 - 2A □□□ 056C22 MDSKA□□ 056-22 140 |
| 43 | 180 | 1.2 | 22.000 | 94 | 9322 | 94 | 9323 | 62 | 180 | 2.46E-04 | GST04 - 2A □□□ 056C22 MDSKA□□ 056-22 140 |
| 48 | 158 | 1.2 | 24.933 | 107 | 9322 | 107 | 9323 | 71 | 158 | 2.44E-04 | GST04 - 2A □□□ 056C22 MDSKA□□ 056-22 140 |
| 11 | 1370 | 2.4 | 2.956 | 36 | 9324 | 26 | 9324 | 39 | 1066 | 8.64E-04 | GST04 - 2A □□□ 071C22 MDSKA□□ 071-22 140 |
| 13 | 1215 | 2.3 | 3.333 | 41 | 9324 | 30 | 9324 | 42 | 935 | 8.62E-04 | GST04 - 2A □□□ 071C22 MDSKA□□ 071-22 140 |
| 16 | 999 | 2.1 | 4.053 | 50 | 9324 | 36 | 9324 | 45 | 842 | 8.61E-04 | GST04 - 2A □□□ 071C22 MDSKA□□ 071-22 140 |

Observe the notes for thermal dimensioning.

Selection tables - Helical gearboxes

Naturally ventilated asynchronous geared servo motors



| M ₂ [Nm] | n _{2 trans} [rpm] | c | i | M _{2 max} short-time on geared motor at | | | | M _{2 Gr} gearbox c=1 n ₁ ≤ 1400 rpm [Nm] | n _{2 therm} [rpm] | J _{GM} referred to motor shaft [kgm ²] | Servo helical- geared motor Dimensions on Page 3-99 |
|------------------------|-------------------------------|-----|--------|---|-------------|----------------------------|-------------|--|-------------------------------|---|--|
| | | | | 8 kHz | | 16 kHz | | | | | |
| | | | | M _{2 max} [Nm] | Type EVS | M _{2 max} [Nm] | Type EVS | | | | |
| 18 | 886 | 1.9 | 4.571 | 56 | 9324 | 41 | 9324 | 48 | 736 | 8.60E-04 | GST04 - 2A □□□ 071C22 MDSKA□□ 071-22 140 |
| 20 | 781 | 1.8 | 5.187 | 63 | 9324 | 46 | 9324 | 50 | 733 | 8.52E-04 | GST04 - 2A □□□ 071C22 MDSKA□□ 071-22 140 |
| 23 | 692 | 1.7 | 5.850 | 72 | 9324 | 52 | 9324 | 53 | 630 | 8.52E-04 | GST04 - 2A □□□ 071C22 MDSKA□□ 071-22 140 |
| 25 | 633 | 1.6 | 6.400 | 78 | 9324 | 57 | 9324 | 55 | 585 | 8.49E-04 | GST04 - 2A □□□ 071C22 MDSKA□□ 071-22 140 |
| 27 | 575 | 1.5 | 7.040 | 85 | 9324 | 63 | 9324 | 57 | 421 | 8.56E-04 | GST04 - 2A □□□ 071C22 MDSKA□□ 071-22 140 |
| 31 | 506 | 1.4 | 8.000 | 88 | 9324 | 71 | 9324 | 59 | 356 | 8.56E-04 | GST04 - 2A □□□ 071C22 MDSKA□□ 071-22 140 |
| 35 | 450 | 1.3 | 9.010 | 94 | 9324 | 80 | 9324 | 63 | 359 | 8.49E-04 | GST04 - 2A □□□ 071C22 MDSKA□□ 071-22 140 |
| 38 | 411 | 1.2 | 9.856 | 97 | 9324 | 88 | 9324 | 65 | 336 | 8.47E-04 | GST04 - 2A □□□ 071C22 MDSKA□□ 071-22 140 |
| 49 | 322 | 1.0 | 12.571 | 104 | 9324 | 104 | 9324 | 69 | 286 | 8.43E-04 | GST04 - 2A □□□ 071C22 MDSKA□□ 071-22 140 |
| 7 | 1129 | 5.7 | 3.500 | 15 | 9322 | 18 | 9323 | 54 | 1129 | 2.67E-04 | GST05 - 1A □□□ 056C22 MDSKA□□ 056-22 140 |
| 9 | 867 | 4.4 | 4.556 | 20 | 9322 | 24 | 9323 | 54 | 867 | 2.58E-04 | GST05 - 1A □□□ 056C22 MDSKA□□ 056-22 140 |
| 11 | 697 | 3.5 | 5.667 | 25 | 9322 | 30 | 9323 | 54 | 697 | 2.53E-04 | GST05 - 1A □□□ 056C22 MDSKA□□ 056-22 140 |
| 14 | 539 | 2.3 | 7.333 | 32 | 9322 | 38 | 9323 | 47 | 539 | 2.46E-04 | GST05 - 1A □□□ 056C22 MDSKA□□ 056-22 140 |
| 17 | 444 | 1.7 | 8.900 | 39 | 9322 | 47 | 9323 | 42 | 444 | 2.46E-04 | GST05 - 1A □□□ 056C22 MDSKA□□ 056-22 140 |
| 6 | 2531 | 5.1 | 1.600 | 20 | 9324 | 15 | 9324 | 45 | 2215 | 9.06E-04 | GST05 - 1A □□□ 071C22 MDSKA□□ 071-22 140 |
| 8 | 1978 | 4.7 | 2.048 | 25 | 9324 | 19 | 9324 | 53 | 1856 | 8.85E-04 | GST05 - 1A □□□ 071C22 MDSKA□□ 071-22 140 |
| 9 | 1808 | 4.3 | 2.240 | 28 | 9324 | 20 | 9324 | 53 | 1733 | 8.78E-04 | GST05 - 1A □□□ 071C22 MDSKA□□ 071-22 140 |
| 11 | 1418 | 3.4 | 2.857 | 36 | 9324 | 26 | 9324 | 53 | 1418 | 8.65E-04 | GST05 - 1A □□□ 071C22 MDSKA□□ 071-22 140 |
| 14 | 1157 | 2.8 | 3.500 | 43 | 9324 | 32 | 9324 | 54 | 1157 | 8.57E-04 | GST05 - 1A □□□ 071C22 MDSKA□□ 071-22 140 |
| 18 | 889 | 2.2 | 4.556 | 57 | 9324 | 41 | 9324 | 54 | 889 | 8.48E-04 | GST05 - 1A □□□ 071C22 MDSKA□□ 071-22 140 |
| 22 | 715 | 1.7 | 5.667 | 70 | 9324 | 51 | 9324 | 54 | 715 | 8.43E-04 | GST05 - 1A □□□ 071C22 MDSKA□□ 071-22 140 |
| 10 | 1250 | 3.8 | 1.600 | 24 | 9323 | 33 | 9324 | 45 | 1250 | 2.00E-03 | GST05 - 1A □□□ 080C22 MDSKA□□ 080-22 70 |
| 13 | 977 | 3.5 | 2.048 | 31 | 9323 | 43 | 9324 | 53 | 977 | 1.97E-03 | GST05 - 1A □□□ 080C22 MDSKA□□ 080-22 70 |
| 14 | 893 | 3.3 | 2.240 | 33 | 9323 | 47 | 9324 | 53 | 893 | 1.97E-03 | GST05 - 1A □□□ 080C22 MDSKA□□ 080-22 70 |
| 19 | 700 | 2.6 | 2.857 | 43 | 9323 | 60 | 9324 | 53 | 700 | 1.96E-03 | GST05 - 1A □□□ 080C22 MDSKA□□ 080-22 70 |
| 23 | 571 | 2.1 | 3.500 | 52 | 9323 | 73 | 9324 | 54 | 571 | 1.95E-03 | GST05 - 1A □□□ 080C22 MDSKA□□ 080-22 70 |
| 8 | 2563 | 3.8 | 1.600 | 21 | 9324 | 30 | 9325 | 45 | 2093 | 2.00E-03 | GST05 - 1A □□□ 080C22 MDSKA□□ 080-22 140 |
| 11 | 2002 | 3.4 | 2.048 | 27 | 9324 | 39 | 9325 | 53 | 1753 | 1.97E-03 | GST05 - 1A □□□ 080C22 MDSKA□□ 080-22 140 |
| 12 | 1830 | 3.2 | 2.240 | 29 | 9324 | 42 | 9325 | 53 | 1603 | 1.97E-03 | GST05 - 1A □□□ 080C22 MDSKA□□ 080-22 140 |
| 15 | 1435 | 2.5 | 2.857 | 37 | 9324 | 54 | 9325 | 53 | 1257 | 1.96E-03 | GST05 - 1A □□□ 080C22 MDSKA□□ 080-22 140 |
| 18 | 1171 | 2.1 | 3.500 | 46 | 9324 | 66 | 9325 | 54 | 1026 | 1.95E-03 | GST05 - 1A □□□ 080C22 MDSKA□□ 080-22 140 |
| 13 | 546 | 5.6 | 7.238 | 31 | 9322 | 37 | 9323 | 108 | 546 | 2.80E-04 | GST05 - 2A □□□ 056C22 MDSKA□□ 056-22 140 |
| 15 | 484 | 5.3 | 8.163 | 35 | 9322 | 42 | 9323 | 115 | 484 | 2.79E-04 | GST05 - 2A □□□ 056C22 MDSKA□□ 056-22 140 |
| 17 | 438 | 4.9 | 9.010 | 39 | 9322 | 46 | 9323 | 119 | 426 | 2.94E-04 | GST05 - 2A □□□ 056C22 MDSKA□□ 056-22 140 |

Observe the notes for thermal dimensioning.

Selection tables - Helical gearboxes

Naturally ventilated asynchronous geared servo motors

| M ₂ [Nm] | n ₂ trans [rpm] | c | i | M ₂ max short-time on geared motor at | | | | M ₂ Gr gearbox c=1 n ₁ ≤ 1400 rpm [Nm] | n ₂ therm [rpm] | J _{GM} referred to motor shaft [kgm ²] | Servo helical- geared motor Dimensions on Page 3-99 |
|------------------------|-------------------------------|-----|--------|---|-------------|----------------------------|-------------|--|-------------------------------|---|--|
| | | | | 8 kHz | | 16 kHz | | | | | |
| | | | | M ₂ max [Nm] | Type EVS | M ₂ max [Nm] | Type EVS | | | | |
| 19 | 395 | 4.6 | 10.000 | 43 | 9322 | 51 | 9323 | 124 | 395 | 2.70E-04 | GST05 - 2A □□□ 056C22 MDSKA□□ 056-22 140 |
| 21 | 353 | 4.3 | 11.200 | 48 | 9322 | 58 | 9323 | 128 | 346 | 2.86E-04 | GST05 - 2A □□□ 056C22 MDSKA□□ 056-22 140 |
| 24 | 303 | 3.9 | 13.016 | 56 | 9322 | 67 | 9323 | 137 | 303 | 2.58E-04 | GST05 - 2A □□□ 056C22 MDSKA□□ 056-22 140 |
| 27 | 275 | 3.6 | 14.356 | 62 | 9322 | 74 | 9323 | 140 | 275 | 2.53E-04 | GST05 - 2A □□□ 056C22 MDSKA□□ 056-22 140 |
| 30 | 244 | 3.9 | 16.190 | 70 | 9322 | 83 | 9323 | 148 | 244 | 2.53E-04 | GST05 - 2A □□□ 056C22 MDSKA□□ 056-22 140 |
| 33 | 226 | 3.4 | 17.500 | 76 | 9322 | 90 | 9323 | 142 | 226 | 2.67E-04 | GST05 - 2A □□□ 056C22 MDSKA□□ 056-22 140 |
| 38 | 197 | 3.4 | 20.044 | 87 | 9322 | 103 | 9323 | 159 | 197 | 2.56E-04 | GST05 - 2A □□□ 056C22 MDSKA□□ 056-22 140 |
| 43 | 173 | 2.7 | 22.778 | 98 | 9322 | 117 | 9323 | 144 | 173 | 2.56E-04 | GST05 - 2A □□□ 056C22 MDSKA□□ 056-22 140 |
| 48 | 158 | 2.8 | 24.933 | 108 | 9322 | 128 | 9323 | 162 | 158 | 2.52E-04 | GST05 - 2A □□□ 056C22 MDSKA□□ 056-22 140 |
| 54 | 139 | 2.2 | 28.333 | 122 | 9322 | 146 | 9323 | 147 | 139 | 2.52E-04 | GST05 - 2A □□□ 056C22 MDSKA□□ 056-22 140 |
| 62 | 122 | 2.2 | 32.267 | 139 | 9322 | 166 | 9323 | 164 | 122 | 2.48E-04 | GST05 - 2A □□□ 056C22 MDSKA□□ 056-22 140 |
| 71 | 108 | 1.7 | 36.667 | 158 | 9322 | 189 | 9323 | 148 | 108 | 2.48E-04 | GST05 - 2A □□□ 056C22 MDSKA□□ 056-22 140 |
| 75 | 101 | 1.8 | 39.160 | 169 | 9322 | 201 | 9323 | 165 | 101 | 2.46E-04 | GST05 - 2A □□□ 056C22 MDSKA□□ 056-22 140 |
| 86 | 89 | 1.6 | 44.500 | 192 | 9322 | 224 | 9323 | 149 | 89 | 2.46E-04 | GST05 - 2A □□□ 056C22 MDSKA□□ 056-22 140 |
| 11 | 1370 | 4.0 | 2.956 | 36 | 9324 | 26 | 9324 | 63 | 975 | 9.29E-04 | GST05 - 2A □□□ 071C22 MDSKA□□ 071-22 140 |
| 12 | 1215 | 4.3 | 3.333 | 41 | 9324 | 30 | 9324 | 78 | 880 | 9.24E-04 | GST05 - 2A □□□ 071C22 MDSKA□□ 071-22 140 |
| 15 | 999 | 3.7 | 4.053 | 50 | 9324 | 36 | 9324 | 81 | 824 | 9.20E-04 | GST05 - 2A □□□ 071C22 MDSKA□□ 071-22 140 |
| 17 | 886 | 3.7 | 4.571 | 56 | 9324 | 41 | 9324 | 91 | 730 | 9.16E-04 | GST05 - 2A □□□ 071C22 MDSKA□□ 071-22 140 |
| 20 | 781 | 3.2 | 5.187 | 63 | 9324 | 46 | 9324 | 90 | 686 | 8.94E-04 | GST05 - 2A □□□ 071C22 MDSKA□□ 071-22 140 |
| 22 | 692 | 3.2 | 5.850 | 72 | 9324 | 52 | 9324 | 101 | 608 | 8.91E-04 | GST05 - 2A □□□ 071C22 MDSKA□□ 071-22 140 |
| 24 | 633 | 3.0 | 6.400 | 78 | 9324 | 57 | 9324 | 105 | 571 | 8.83E-04 | GST05 - 2A □□□ 071C22 MDSKA□□ 071-22 140 |
| 28 | 560 | 2.8 | 7.238 | 89 | 9324 | 65 | 9324 | 108 | 560 | 8.70E-04 | GST05 - 2A □□□ 071C22 MDSKA□□ 071-22 140 |
| 31 | 496 | 2.6 | 8.163 | 100 | 9324 | 73 | 9324 | 115 | 496 | 8.69E-04 | GST05 - 2A □□□ 071C22 MDSKA□□ 071-22 140 |
| 34 | 450 | 2.4 | 9.010 | 110 | 9324 | 80 | 9324 | 119 | 376 | 8.84E-04 | GST05 - 2A □□□ 071C22 MDSKA□□ 071-22 140 |
| 38 | 405 | 2.3 | 10.000 | 122 | 9324 | 89 | 9324 | 124 | 405 | 8.60E-04 | GST05 - 2A □□□ 071C22 MDSKA□□ 071-22 140 |
| 43 | 362 | 2.1 | 11.200 | 137 | 9324 | 100 | 9324 | 128 | 306 | 8.76E-04 | GST05 - 2A □□□ 071C22 MDSKA□□ 071-22 140 |
| 50 | 311 | 2.0 | 13.016 | 159 | 9324 | 116 | 9324 | 137 | 311 | 8.48E-04 | GST05 - 2A □□□ 071C22 MDSKA□□ 071-22 140 |
| 55 | 282 | 1.8 | 14.356 | 176 | 9324 | 128 | 9324 | 140 | 282 | 8.43E-04 | GST05 - 2A □□□ 071C22 MDSKA□□ 071-22 140 |
| 62 | 250 | 1.9 | 16.190 | 198 | 9324 | 145 | 9324 | 148 | 250 | 8.43E-04 | GST05 - 2A □□□ 071C22 MDSKA□□ 071-22 140 |
| 67 | 231 | 1.7 | 17.500 | 213 | 9324 | 156 | 9324 | 142 | 231 | 8.57E-04 | GST05 - 2A □□□ 071C22 MDSKA□□ 071-22 140 |
| 77 | 202 | 1.7 | 20.044 | 239 | 9324 | 179 | 9324 | 159 | 202 | 8.46E-04 | GST05 - 2A □□□ 071C22 MDSKA□□ 071-22 140 |
| 88 | 178 | 1.3 | 22.778 | 216 | 9324 | 203 | 9324 | 144 | 178 | 8.46E-04 | GST05 - 2A □□□ 071C22 MDSKA□□ 071-22 140 |
| 96 | 162 | 1.4 | 24.933 | 243 | 9324 | 223 | 9324 | 162 | 162 | 8.42E-04 | GST05 - 2A □□□ 071C22 MDSKA□□ 071-22 140 |
| 110 | 143 | 1.1 | 28.333 | 221 | 9324 | 221 | 9324 | 147 | 143 | 8.42E-04 | GST05 - 2A □□□ 071C22 MDSKA□□ 071-22 140 |

Observe the notes for thermal dimensioning.

Selection tables - Helical gearboxes

Naturally ventilated asynchronous geared servo motors



| M ₂ [Nm] | n _{2 trans} [rpm] | c | i | M _{2 max} short-time on geared motor at | | | | M _{2 Gr} gearbox c=1 n ₁ ≤ 1400 rpm [Nm] | n _{2 therm} [rpm] | J _{GM} referred to motor shaft [kgm ²] | Servo helical- geared motor Dimensions on Page 3-99 |
|------------------------|-------------------------------|------------|---------------|---|-------------|----------------------------|-------------|--|-------------------------------|---|--|
| | | | | 8 kHz | | 16 kHz | | | | | |
| | | | | M _{2 max} [Nm] | Type EVS | M _{2 max} [Nm] | Type EVS | | | | |
| 19 | 677 | 3.0 | 2.956 | 43 | 9323 | 61 | 9324 | 63 | 677 | 2.02E-03 | GST05 - 2A □□□ 080C22 MDSKA□□ 080-22 70 |
| 21 | 600 | 3.3 | 3.333 | 49 | 9323 | 69 | 9324 | 78 | 600 | 2.01E-03 | GST05 - 2A □□□ 080C22 MDSKA□□ 080-22 70 |
| 26 | 493 | 2.8 | 4.053 | 59 | 9323 | 83 | 9324 | 81 | 493 | 2.01E-03 | GST05 - 2A □□□ 080C22 MDSKA□□ 080-22 70 |
| 29 | 438 | 2.8 | 4.571 | 67 | 9323 | 94 | 9324 | 91 | 438 | 2.01E-03 | GST05 - 2A □□□ 080C22 MDSKA□□ 080-22 70 |
| 33 | 386 | 2.4 | 5.187 | 76 | 9323 | 107 | 9324 | 90 | 386 | 1.98E-03 | GST05 - 2A □□□ 080C22 MDSKA□□ 080-22 70 |
| 37 | 342 | 2.4 | 5.850 | 86 | 9323 | 120 | 9324 | 101 | 342 | 1.98E-03 | GST05 - 2A □□□ 080C22 MDSKA□□ 080-22 70 |
| 41 | 313 | 2.3 | 6.400 | 94 | 9323 | 132 | 9324 | 105 | 313 | 1.97E-03 | GST05 - 2A □□□ 080C22 MDSKA□□ 080-22 70 |
| 47 | 276 | 2.1 | 7.238 | 106 | 9323 | 149 | 9324 | 108 | 276 | 1.96E-03 | GST05 - 2A □□□ 080C22 MDSKA□□ 080-22 70 |
| 53 | 245 | 2.0 | 8.163 | 120 | 9323 | 168 | 9324 | 115 | 245 | 1.96E-03 | GST05 - 2A □□□ 080C22 MDSKA□□ 080-22 70 |
| 58 | 222 | 1.8 | 9.010 | 132 | 9323 | 178 | 9324 | 119 | 222 | 1.97E-03 | GST05 - 2A □□□ 080C22 MDSKA□□ 080-22 70 |
| 65 | 200 | 1.7 | 10.000 | 147 | 9323 | 186 | 9324 | 124 | 200 | 1.95E-03 | GST05 - 2A □□□ 080C22 MDSKA□□ 080-22 70 |
| 72 | 179 | 1.6 | 11.200 | 164 | 9323 | 191 | 9324 | 128 | 179 | 1.97E-03 | GST05 - 2A □□□ 080C22 MDSKA□□ 080-22 70 |
| 113 | 114 | 1.2 | 17.500 | 213 | 9323 | 213 | 9324 | 142 | 114 | 1.95E-03 | GST05 - 2A □□□ 080C22 MDSKA□□ 080-22 70 |
| 15 | 1387 | 2.9 | 2.956 | 38 | 9324 | 55 | 9325 | 63 | 917 | 2.02E-03 | GST05 - 2A □□□ 080C22 MDSKA□□ 080-22 140 |
| 17 | 1230 | 3.2 | 3.333 | 43 | 9324 | 62 | 9325 | 78 | 828 | 2.01E-03 | GST05 - 2A □□□ 080C22 MDSKA□□ 080-22 140 |
| 21 | 1012 | 2.7 | 4.053 | 52 | 9324 | 75 | 9325 | 81 | 776 | 2.01E-03 | GST05 - 2A □□□ 080C22 MDSKA□□ 080-22 140 |
| 24 | 897 | 2.7 | 4.571 | 59 | 9324 | 85 | 9325 | 91 | 688 | 2.01E-03 | GST05 - 2A □□□ 080C22 MDSKA□□ 080-22 140 |
| 27 | 790 | 2.4 | 5.187 | 66 | 9324 | 96 | 9325 | 90 | 649 | 1.98E-03 | GST05 - 2A □□□ 080C22 MDSKA□□ 080-22 140 |
| 30 | 701 | 2.4 | 5.850 | 75 | 9324 | 108 | 9325 | 101 | 575 | 1.98E-03 | GST05 - 2A □□□ 080C22 MDSKA□□ 080-22 140 |
| 33 | 641 | 2.2 | 6.400 | 82 | 9324 | 119 | 9325 | 105 | 541 | 1.97E-03 | GST05 - 2A □□□ 080C22 MDSKA□□ 080-22 140 |
| 38 | 566 | 2.0 | 7.238 | 93 | 9324 | 134 | 9325 | 108 | 496 | 1.96E-03 | GST05 - 2A □□□ 080C22 MDSKA□□ 080-22 140 |
| 42 | 502 | 1.9 | 8.163 | 105 | 9324 | 151 | 9325 | 115 | 440 | 1.96E-03 | GST05 - 2A □□□ 080C22 MDSKA□□ 080-22 140 |
| 47 | 455 | 1.8 | 9.010 | 115 | 9324 | 167 | 9325 | 119 | 344 | 1.97E-03 | GST05 - 2A □□□ 080C22 MDSKA□□ 080-22 140 |
| 52 | 410 | 1.7 | 10.000 | 128 | 9324 | 185 | 9325 | 124 | 359 | 1.95E-03 | GST05 - 2A □□□ 080C22 MDSKA□□ 080-22 140 |
| 58 | 366 | 1.6 | 11.200 | 143 | 9324 | 191 | 9325 | 128 | 269 | 1.97E-03 | GST05 - 2A □□□ 080C22 MDSKA□□ 080-22 140 |
| 91 | 234 | 1.3 | 17.500 | 213 | 9324 | 213 | 9325 | 142 | 205 | 1.95E-03 | GST05 - 2A □□□ 080C22 MDSKA□□ 080-22 140 |
| 69 | 109 | 1.6 | 36.267 | 154 | 9322 | 184 | 9323 | 134 | 109 | 2.59E-04 | GST05 - 3A □□□ 056C22 MDSKA□□ 056-22 140 |
| 88 | 85 | 1.5 | 46.259 | 197 | 9322 | 218 | 9323 | 145 | 85 | 2.54E-04 | GST05 - 3A □□□ 056C22 MDSKA□□ 056-22 140 |
| 108 | 70 | 1.3 | 56.667 | 233 | 9322 | 233 | 9323 | 155 | 70 | 2.51E-04 | GST05 - 3A □□□ 056C22 MDSKA□□ 056-22 140 |
| 121 | 62 | 1.1 | 63.467 | 219 | 9322 | 219 | 9323 | 146 | 62 | 2.59E-04 | GST05 - 3A □□□ 056C22 MDSKA□□ 056-22 140 |
| 136 | 55 | 1.1 | 71.238 | 251 | 9322 | 251 | 9323 | 167 | 55 | 2.47E-04 | GST05 - 3A □□□ 056C22 MDSKA□□ 056-22 140 |
| 11 | 697 | 5.3 | 5.667 | 25 | 9322 | 30 | 9323 | 82 | 697 | 2.76E-04 | GST06 - 1A □□□ 056C22 MDSKA□□ 056-22 140 |
| 14 | 539 | 4.8 | 7.333 | 32 | 9322 | 38 | 9323 | 95 | 539 | 2.63E-04 | GST06 - 1A □□□ 056C22 MDSKA□□ 056-22 140 |
| 17 | 444 | 3.5 | 8.900 | 39 | 9322 | 47 | 9323 | 85 | 444 | 2.57E-04 | GST06 - 1A □□□ 056C22 MDSKA□□ 056-22 140 |

Observe the notes for thermal dimensioning.

Selection tables - Helical gearboxes

Naturally ventilated asynchronous geared servo motors

| M ₂ [Nm] | n ₂ trans [rpm] | c | i | M ₂ max short-time on geared motor at | | | | M ₂ Gr gearbox c=1 n ₁ ≤ 1400 rpm [Nm] | n ₂ therm [rpm] | J _{GM} referred to motor shaft [kgm ²] | Servo helical- geared motor Dimensions on Page 3-99 |
|------------------------|-------------------------------|------------|---------------|---|-------------|----------------------------|-------------|--|-------------------------------|---|--|
| | | | | 8 kHz | | 16 kHz | | | | | |
| | | | | M ₂ max [Nm] | Type EVS | M ₂ max [Nm] | Type EVS | | | | |
| 22 | 351 | 2.1 | 11.250 | 49 | 9322 | 59 | 9323 | 63 | 351 | 2.51E-04 | GST06 - 1A □□□ 056C22 MDSKA□□ 056-22 140 |
| 11 | 1418 | 5.9 | 2.857 | 36 | 9324 | 26 | 9324 | 92 | 1395 | 9.27E-04 | GST06 - 1A □□□ 071C22 MDSKA□□ 071-22 140 |
| 13 | 1157 | 5.5 | 3.500 | 43 | 9324 | 32 | 9324 | 105 | 1157 | 9.04E-04 | GST06 - 1A □□□ 071C22 MDSKA□□ 071-22 140 |
| 17 | 889 | 4.2 | 4.556 | 57 | 9324 | 41 | 9324 | 105 | 889 | 8.78E-04 | GST06 - 1A □□□ 071C22 MDSKA□□ 071-22 140 |
| 22 | 715 | 3.4 | 5.667 | 70 | 9324 | 51 | 9324 | 105 | 715 | 8.66E-04 | GST06 - 1A □□□ 071C22 MDSKA□□ 071-22 140 |
| 28 | 552 | 2.5 | 7.333 | 91 | 9324 | 67 | 9324 | 100 | 552 | 8.53E-04 | GST06 - 1A □□□ 071C22 MDSKA□□ 071-22 140 |
| 35 | 455 | 1.7 | 8.900 | 111 | 9324 | 81 | 9324 | 85 | 455 | 8.47E-04 | GST06 - 1A □□□ 071C22 MDSKA□□ 071-22 140 |
| 10 | 1250 | 5.3 | 1.600 | 24 | 9323 | 33 | 9324 | 61 | 1250 | 2.12E-03 | GST06 - 1A □□□ 080C22 MDSKA□□ 080-22 70 |
| 13 | 977 | 4.9 | 2.048 | 31 | 9323 | 43 | 9324 | 72 | 977 | 2.07E-03 | GST06 - 1A □□□ 080C22 MDSKA□□ 080-22 70 |
| 14 | 893 | 4.8 | 2.240 | 33 | 9323 | 47 | 9324 | 79 | 893 | 2.05E-03 | GST06 - 1A □□□ 080C22 MDSKA□□ 080-22 70 |
| 18 | 700 | 4.5 | 2.857 | 43 | 9323 | 60 | 9324 | 92 | 700 | 2.02E-03 | GST06 - 1A □□□ 080C22 MDSKA□□ 080-22 70 |
| 22 | 571 | 4.1 | 3.500 | 52 | 9323 | 73 | 9324 | 105 | 571 | 1.99E-03 | GST06 - 1A □□□ 080C22 MDSKA□□ 080-22 70 |
| 29 | 439 | 3.2 | 4.556 | 68 | 9323 | 95 | 9324 | 105 | 439 | 1.97E-03 | GST06 - 1A □□□ 080C22 MDSKA□□ 080-22 70 |
| 37 | 353 | 2.6 | 5.667 | 84 | 9323 | 118 | 9324 | 105 | 353 | 1.96E-03 | GST06 - 1A □□□ 080C22 MDSKA□□ 080-22 70 |
| 8 | 2563 | 5.2 | 1.600 | 21 | 9324 | 30 | 9325 | 61 | 1862 | 2.12E-03 | GST06 - 1A □□□ 080C22 MDSKA□□ 080-22 140 |
| 10 | 2002 | 4.8 | 2.048 | 27 | 9324 | 39 | 9325 | 72 | 1657 | 2.07E-03 | GST06 - 1A □□□ 080C22 MDSKA□□ 080-22 140 |
| 11 | 1830 | 4.7 | 2.240 | 29 | 9324 | 42 | 9325 | 79 | 1561 | 2.05E-03 | GST06 - 1A □□□ 080C22 MDSKA□□ 080-22 140 |
| 15 | 1435 | 4.3 | 2.857 | 37 | 9324 | 54 | 9325 | 92 | 1257 | 2.02E-03 | GST06 - 1A □□□ 080C22 MDSKA□□ 080-22 140 |
| 18 | 1171 | 4.0 | 3.500 | 46 | 9324 | 66 | 9325 | 105 | 1026 | 1.99E-03 | GST06 - 1A □□□ 080C22 MDSKA□□ 080-22 140 |
| 24 | 900 | 3.1 | 4.556 | 59 | 9324 | 86 | 9325 | 105 | 788 | 1.97E-03 | GST06 - 1A □□□ 080C22 MDSKA□□ 080-22 140 |
| 30 | 724 | 2.5 | 5.667 | 74 | 9324 | 107 | 9325 | 105 | 634 | 1.96E-03 | GST06 - 1A □□□ 080C22 MDSKA□□ 080-22 140 |
| 17 | 1438 | 3.1 | 1.600 | 39 | 9324 | 54 | 9325 | 61 | 1438 | 3.80E-03 | GST06 - 1A □□□ 090C22 MDSKA□□ 090-22 80 |
| 21 | 1123 | 2.9 | 2.048 | 49 | 9324 | 70 | 9325 | 72 | 1123 | 3.75E-03 | GST06 - 1A □□□ 090C22 MDSKA□□ 090-22 80 |
| 23 | 1027 | 2.9 | 2.240 | 54 | 9324 | 76 | 9325 | 79 | 1027 | 3.73E-03 | GST06 - 1A □□□ 090C22 MDSKA□□ 090-22 80 |
| 30 | 805 | 2.6 | 2.857 | 69 | 9324 | 97 | 9325 | 92 | 805 | 3.70E-03 | GST06 - 1A □□□ 090C22 MDSKA□□ 090-22 80 |
| 37 | 657 | 2.4 | 3.500 | 84 | 9324 | 119 | 9325 | 105 | 657 | 3.67E-03 | GST06 - 1A □□□ 090C22 MDSKA□□ 090-22 80 |
| 15 | 2569 | 2.9 | 1.600 | 37 | 9325 | 44 | 9326 | 61 | 1660 | 3.80E-03 | GST06 - 1A □□□ 090C22 MDSKA□□ 090-22 140 |
| 19 | 2007 | 2.7 | 2.048 | 47 | 9325 | 57 | 9326 | 72 | 1481 | 3.75E-03 | GST06 - 1A □□□ 090C22 MDSKA□□ 090-22 140 |
| 21 | 1835 | 2.7 | 2.240 | 52 | 9325 | 62 | 9326 | 79 | 1389 | 3.73E-03 | GST06 - 1A □□□ 090C22 MDSKA□□ 090-22 140 |
| 26 | 1439 | 2.5 | 2.857 | 66 | 9325 | 79 | 9326 | 92 | 1089 | 3.70E-03 | GST06 - 1A □□□ 090C22 MDSKA□□ 090-22 140 |
| 32 | 1174 | 2.3 | 3.500 | 81 | 9325 | 97 | 9326 | 105 | 889 | 3.67E-03 | GST06 - 1A □□□ 090C22 MDSKA□□ 090-22 140 |
| 42 | 173 | 5.9 | 22.778 | 98 | 9322 | 117 | 9323 | 315 | 173 | 2.85E-04 | GST06 - 2A □□□ 056C22 MDSKA□□ 056-22 140 |
| 53 | 139 | 4.7 | 28.333 | 122 | 9322 | 146 | 9323 | 317 | 139 | 2.73E-04 | GST06 - 2A □□□ 056C22 MDSKA□□ 056-22 140 |
| 60 | 122 | 4.8 | 32.267 | 139 | 9322 | 166 | 9323 | 363 | 122 | 2.62E-04 | GST06 - 2A □□□ 056C22 MDSKA□□ 056-22 140 |

Observe the notes for thermal dimensioning.

Selection tables - Helical gearboxes

Naturally ventilated asynchronous geared servo motors



| M ₂ [Nm] | n _{2 trans} [rpm] | c | i | M _{2 max} short-time on geared motor at | | | | M _{2 Gr} gearbox c=1 n ₁ ≤ 1400 rpm [Nm] | n _{2 therm} [rpm] | J _{GM} referred to motor shaft [kgm ²] | Servo helical-geared motor Dimensions on Page 3-99 |
|------------------------|-------------------------------|-----|--------|--|-------------|----------------------------|-------------|---|-------------------------------|--|---|
| | | | | 8 kHz | | 16 kHz | | | | | |
| | | | | M _{2 max} [Nm] | Type EVS | M _{2 max} [Nm] | Type EVS | | | | |
| 69 | 108 | 3.7 | 36.667 | 158 | 9322 | 189 | 9323 | 322 | 108 | 2.62E-04 | GST06 - 2A □□□ 056C22 MDSKA□□ 056-22 140 |
| 74 | 101 | 4.0 | 39.160 | 169 | 9322 | 201 | 9323 | 368 | 101 | 2.56E-04 | GST06 - 2A □□□ 056C22 MDSKA□□ 056-22 140 |
| 84 | 89 | 3.4 | 44.500 | 192 | 9322 | 229 | 9323 | 325 | 89 | 2.56E-04 | GST06 - 2A □□□ 056C22 MDSKA□□ 056-22 140 |
| 94 | 80 | 2.6 | 49.500 | 214 | 9322 | 255 | 9323 | 278 | 80 | 2.51E-04 | GST06 - 2A □□□ 056C22 MDSKA□□ 056-22 140 |
| 107 | 70 | 2.6 | 56.250 | 243 | 9322 | 289 | 9323 | 316 | 70 | 2.51E-04 | GST06 - 2A □□□ 056C22 MDSKA□□ 056-22 140 |
| 30 | 496 | 5.7 | 8.163 | 100 | 9324 | 73 | 9324 | 252 | 486 | 9.36E-04 | GST06 - 2A □□□ 071C22 MDSKA□□ 071-22 140 |
| 33 | 450 | 5.4 | 9.010 | 110 | 9324 | 80 | 9324 | 261 | 385 | 9.80E-04 | GST06 - 2A □□□ 071C22 MDSKA□□ 071-22 140 |
| 37 | 405 | 5.0 | 10.000 | 122 | 9324 | 89 | 9324 | 269 | 405 | 9.12E-04 | GST06 - 2A □□□ 071C22 MDSKA□□ 071-22 140 |
| 42 | 362 | 4.6 | 11.200 | 137 | 9324 | 100 | 9324 | 280 | 311 | 9.56E-04 | GST06 - 2A □□□ 071C22 MDSKA□□ 071-22 140 |
| 47 | 322 | 4.3 | 12.571 | 154 | 9324 | 112 | 9324 | 295 | 301 | 9.26E-04 | GST06 - 2A □□□ 071C22 MDSKA□□ 071-22 140 |
| 54 | 284 | 4.0 | 14.286 | 175 | 9324 | 128 | 9324 | 307 | 261 | 9.23E-04 | GST06 - 2A □□□ 071C22 MDSKA□□ 071-22 140 |
| 58 | 263 | 4.3 | 15.400 | 188 | 9324 | 138 | 9324 | 318 | 263 | 9.05E-04 | GST06 - 2A □□□ 071C22 MDSKA□□ 071-22 140 |
| 66 | 231 | 3.8 | 17.500 | 214 | 9324 | 156 | 9324 | 313 | 231 | 9.03E-04 | GST06 - 2A □□□ 071C22 MDSKA□□ 071-22 140 |
| 76 | 202 | 3.7 | 20.044 | 245 | 9324 | 179 | 9324 | 350 | 202 | 8.76E-04 | GST06 - 2A □□□ 071C22 MDSKA□□ 071-22 140 |
| 87 | 178 | 2.9 | 22.778 | 279 | 9324 | 203 | 9324 | 315 | 178 | 8.75E-04 | GST06 - 2A □□□ 071C22 MDSKA□□ 071-22 140 |
| 95 | 162 | 3.0 | 24.933 | 305 | 9324 | 223 | 9324 | 360 | 162 | 8.63E-04 | GST06 - 2A □□□ 071C22 MDSKA□□ 071-22 140 |
| 108 | 143 | 2.4 | 28.333 | 346 | 9324 | 253 | 9324 | 317 | 143 | 8.63E-04 | GST06 - 2A □□□ 071C22 MDSKA□□ 071-22 140 |
| 123 | 126 | 2.4 | 32.267 | 395 | 9324 | 288 | 9324 | 363 | 126 | 8.52E-04 | GST06 - 2A □□□ 071C22 MDSKA□□ 071-22 140 |
| 141 | 110 | 1.8 | 36.667 | 448 | 9324 | 327 | 9324 | 322 | 110 | 8.52E-04 | GST06 - 2A □□□ 071C22 MDSKA□□ 071-22 140 |
| 150 | 103 | 2.0 | 39.160 | 479 | 9324 | 350 | 9324 | 368 | 103 | 8.46E-04 | GST06 - 2A □□□ 071C22 MDSKA□□ 071-22 140 |
| 171 | 91 | 1.7 | 44.500 | 488 | 9324 | 397 | 9324 | 325 | 91 | 8.46E-04 | GST06 - 2A □□□ 071C22 MDSKA□□ 071-22 140 |
| 33 | 376 | 5.4 | 5.324 | 78 | 9323 | 110 | 9324 | 207 | 376 | 2.10E-03 | GST06 - 2A □□□ 080C22 MDSKA□□ 080-22 70 |
| 36 | 342 | 5.3 | 5.850 | 86 | 9323 | 120 | 9324 | 222 | 342 | 2.09E-03 | GST06 - 2A □□□ 080C22 MDSKA□□ 080-22 70 |
| 40 | 313 | 5.0 | 6.400 | 94 | 9323 | 132 | 9324 | 229 | 313 | 2.07E-03 | GST06 - 2A □□□ 080C22 MDSKA□□ 080-22 70 |
| 44 | 284 | 4.7 | 7.040 | 103 | 9323 | 145 | 9324 | 236 | 284 | 2.13E-03 | GST06 - 2A □□□ 080C22 MDSKA□□ 080-22 70 |
| 51 | 245 | 4.3 | 8.163 | 120 | 9323 | 168 | 9324 | 252 | 245 | 2.03E-03 | GST06 - 2A □□□ 080C22 MDSKA□□ 080-22 70 |
| 57 | 222 | 4.0 | 9.010 | 132 | 9323 | 185 | 9324 | 261 | 222 | 2.07E-03 | GST06 - 2A □□□ 080C22 MDSKA□□ 080-22 70 |
| 63 | 200 | 3.8 | 10.000 | 147 | 9323 | 206 | 9324 | 269 | 200 | 2.00E-03 | GST06 - 2A □□□ 080C22 MDSKA□□ 080-22 70 |
| 71 | 179 | 3.5 | 11.200 | 164 | 9323 | 230 | 9324 | 280 | 179 | 2.05E-03 | GST06 - 2A □□□ 080C22 MDSKA□□ 080-22 70 |
| 80 | 159 | 3.3 | 12.571 | 184 | 9323 | 259 | 9324 | 295 | 159 | 2.02E-03 | GST06 - 2A □□□ 080C22 MDSKA□□ 080-22 70 |
| 91 | 140 | 3.0 | 14.286 | 209 | 9323 | 294 | 9324 | 307 | 140 | 2.01E-03 | GST06 - 2A □□□ 080C22 MDSKA□□ 080-22 70 |
| 98 | 130 | 3.2 | 15.400 | 226 | 9323 | 317 | 9324 | 318 | 130 | 1.99E-03 | GST06 - 2A □□□ 080C22 MDSKA□□ 080-22 70 |
| 112 | 114 | 2.8 | 17.500 | 256 | 9323 | 360 | 9324 | 313 | 114 | 1.99E-03 | GST06 - 2A □□□ 080C22 MDSKA□□ 080-22 70 |
| 128 | 100 | 2.7 | 20.044 | 294 | 9323 | 412 | 9324 | 350 | 100 | 1.97E-03 | GST06 - 2A □□□ 080C22 MDSKA□□ 080-22 70 |

Observe the notes for thermal dimensioning.

Selection tables - Helical gearboxes

Naturally ventilated asynchronous geared servo motors

| M ₂ [Nm] | n ₂ trans [rpm] | c | i | M ₂ max short-time on geared motor at | | | | M ₂ Gr gearbox c=1 n ₁ ≤ 1400 rpm [Nm] | n ₂ therm [rpm] | J _{GM} referred to motor shaft [kgm ²] | Servo helical- geared motor Dimensions on Page 3-99 |
|------------------------|-------------------------------|-----|--------|---|-------------|----------------------------|-------------|--|-------------------------------|---|--|
| | | | | 8 kHz | | 16 kHz | | | | | |
| | | | | M ₂ max [Nm] | Type EVS | M ₂ max [Nm] | Type EVS | | | | |
| 146 | 88 | 2.1 | 22.778 | 334 | 9323 | 469 | 9324 | 315 | 88 | 1.97E-03 | GST06 - 2A □□□ 080C22 MDSKA□□ 080-22 70 |
| 160 | 80 | 2.2 | 24.933 | 365 | 9323 | 513 | 9324 | 360 | 80 | 1.95E-03 | GST06 - 2A □□□ 080C22 MDSKA□□ 080-22 70 |
| 183 | 71 | 1.7 | 28.333 | 415 | 9323 | 476 | 9324 | 317 | 71 | 1.95E-03 | GST06 - 2A □□□ 080C22 MDSKA□□ 080-22 70 |
| 23 | 897 | 6.0 | 4.571 | 59 | 9324 | 85 | 9325 | 200 | 670 | 2.16E-03 | GST06 - 2A □□□ 080C22 MDSKA□□ 080-22 140 |
| 27 | 770 | 5.3 | 5.324 | 68 | 9324 | 99 | 9325 | 207 | 651 | 2.10E-03 | GST06 - 2A □□□ 080C22 MDSKA□□ 080-22 140 |
| 29 | 701 | 5.2 | 5.850 | 75 | 9324 | 108 | 9325 | 222 | 589 | 2.09E-03 | GST06 - 2A □□□ 080C22 MDSKA□□ 080-22 140 |
| 32 | 641 | 4.9 | 6.400 | 82 | 9324 | 119 | 9325 | 229 | 550 | 2.07E-03 | GST06 - 2A □□□ 080C22 MDSKA□□ 080-22 140 |
| 36 | 582 | 4.6 | 7.040 | 90 | 9324 | 131 | 9325 | 236 | 414 | 2.13E-03 | GST06 - 2A □□□ 080C22 MDSKA□□ 080-22 140 |
| 41 | 502 | 4.2 | 8.163 | 105 | 9324 | 151 | 9325 | 252 | 440 | 2.03E-03 | GST06 - 2A □□□ 080C22 MDSKA□□ 080-22 140 |
| 46 | 455 | 4.0 | 9.010 | 115 | 9324 | 167 | 9325 | 261 | 364 | 2.07E-03 | GST06 - 2A □□□ 080C22 MDSKA□□ 080-22 140 |
| 51 | 410 | 3.7 | 10.000 | 128 | 9324 | 185 | 9325 | 269 | 359 | 2.00E-03 | GST06 - 2A □□□ 080C22 MDSKA□□ 080-22 140 |
| 57 | 366 | 3.4 | 11.200 | 143 | 9324 | 208 | 9325 | 280 | 294 | 2.05E-03 | GST06 - 2A □□□ 080C22 MDSKA□□ 080-22 140 |
| 64 | 326 | 3.2 | 12.571 | 161 | 9324 | 233 | 9325 | 295 | 286 | 2.02E-03 | GST06 - 2A □□□ 080C22 MDSKA□□ 080-22 140 |
| 73 | 287 | 2.9 | 14.286 | 183 | 9324 | 265 | 9325 | 307 | 248 | 2.01E-03 | GST06 - 2A □□□ 080C22 MDSKA□□ 080-22 140 |
| 79 | 266 | 3.2 | 15.400 | 197 | 9324 | 285 | 9325 | 318 | 233 | 1.99E-03 | GST06 - 2A □□□ 080C22 MDSKA□□ 080-22 140 |
| 90 | 234 | 2.8 | 17.500 | 224 | 9324 | 324 | 9325 | 313 | 205 | 1.99E-03 | GST06 - 2A □□□ 080C22 MDSKA□□ 080-22 140 |
| 103 | 205 | 2.7 | 20.044 | 257 | 9324 | 371 | 9325 | 350 | 179 | 1.97E-03 | GST06 - 2A □□□ 080C22 MDSKA□□ 080-22 140 |
| 118 | 180 | 2.1 | 22.778 | 292 | 9324 | 422 | 9325 | 315 | 158 | 1.97E-03 | GST06 - 2A □□□ 080C22 MDSKA□□ 080-22 140 |
| 129 | 164 | 2.2 | 24.933 | 319 | 9324 | 462 | 9325 | 360 | 144 | 1.95E-03 | GST06 - 2A □□□ 080C22 MDSKA□□ 080-22 140 |
| 147 | 145 | 1.7 | 28.333 | 363 | 9324 | 476 | 9325 | 317 | 127 | 1.95E-03 | GST06 - 2A □□□ 080C22 MDSKA□□ 080-22 140 |
| 31 | 758 | 4.5 | 3.033 | 72 | 9324 | 102 | 9325 | 166 | 758 | 3.87E-03 | GST06 - 2A □□□ 090C22 MDSKA□□ 090-22 80 |
| 34 | 690 | 4.3 | 3.333 | 79 | 9324 | 112 | 9325 | 174 | 690 | 3.86E-03 | GST06 - 2A □□□ 090C22 MDSKA□□ 090-22 80 |
| 42 | 553 | 3.8 | 4.160 | 99 | 9324 | 139 | 9325 | 191 | 553 | 3.85E-03 | GST06 - 2A □□□ 090C22 MDSKA□□ 090-22 80 |
| 47 | 503 | 3.6 | 4.571 | 108 | 9324 | 153 | 9325 | 200 | 503 | 3.84E-03 | GST06 - 2A □□□ 090C22 MDSKA□□ 090-22 80 |
| 55 | 432 | 3.2 | 5.324 | 126 | 9324 | 178 | 9325 | 207 | 432 | 3.78E-03 | GST06 - 2A □□□ 090C22 MDSKA□□ 090-22 80 |
| 60 | 393 | 3.1 | 5.850 | 139 | 9324 | 196 | 9325 | 222 | 393 | 3.77E-03 | GST06 - 2A □□□ 090C22 MDSKA□□ 090-22 80 |
| 66 | 359 | 3.0 | 6.400 | 152 | 9324 | 214 | 9325 | 229 | 359 | 3.75E-03 | GST06 - 2A □□□ 090C22 MDSKA□□ 090-22 80 |
| 72 | 327 | 2.8 | 7.040 | 167 | 9324 | 236 | 9325 | 236 | 327 | 3.81E-03 | GST06 - 2A □□□ 090C22 MDSKA□□ 090-22 80 |
| 84 | 282 | 2.6 | 8.163 | 193 | 9324 | 273 | 9325 | 252 | 282 | 3.71E-03 | GST06 - 2A □□□ 090C22 MDSKA□□ 090-22 80 |
| 93 | 255 | 2.4 | 9.010 | 213 | 9324 | 302 | 9325 | 261 | 255 | 3.75E-03 | GST06 - 2A □□□ 090C22 MDSKA□□ 090-22 80 |
| 103 | 230 | 2.2 | 10.000 | 237 | 9324 | 335 | 9325 | 269 | 230 | 3.68E-03 | GST06 - 2A □□□ 090C22 MDSKA□□ 090-22 80 |
| 116 | 205 | 2.1 | 11.200 | 265 | 9324 | 375 | 9325 | 280 | 205 | 3.73E-03 | GST06 - 2A □□□ 090C22 MDSKA□□ 090-22 80 |
| 130 | 183 | 1.9 | 12.571 | 298 | 9324 | 421 | 9325 | 295 | 183 | 3.70E-03 | GST06 - 2A □□□ 090C22 MDSKA□□ 090-22 80 |
| 148 | 161 | 1.8 | 14.286 | 338 | 9324 | 460 | 9325 | 307 | 161 | 3.69E-03 | GST06 - 2A □□□ 090C22 MDSKA□□ 090-22 80 |

Observe the notes for thermal dimensioning.

Selection tables - Helical gearboxes

Naturally ventilated asynchronous geared servo motors



| M ₂ [Nm] | n _{2 trans} [rpm] | c | i | M _{2 max} short-time on geared motor at | | | | M _{2 Gr} gearbox c=1 n ₁ ≤ 1400 rpm [Nm] | n _{2 therm} [rpm] | J _{GM} referred to motor shaft [kgm ²] | Servo helical- geared motor Dimensions on Page 3-99 |
|------------------------|-------------------------------|------------|---------------|---|-------------|----------------------------|-------------|--|-------------------------------|---|--|
| | | | | 8 kHz | | 16 kHz | | | | | |
| | | | | M _{2 max} [Nm] | Type EVS | M _{2 max} [Nm] | Type EVS | | | | |
| 160 | 149 | 1.9 | 15.400 | 365 | 9324 | 477 | 9325 | 318 | 149 | 3.67E-03 | GST06 - 2A □□□ 090C22 MDSKA□□ 090-22 80 |
| 182 | 131 | 1.7 | 17.500 | 414 | 9324 | 470 | 9325 | 313 | 131 | 3.67E-03 | GST06 - 2A □□□ 090C22 MDSKA□□ 090-22 80 |
| 27 | 1355 | 4.3 | 3.033 | 69 | 9325 | 82 | 9326 | 166 | 815 | 3.87E-03 | GST06 - 2A □□□ 090C22 MDSKA□□ 090-22 140 |
| 30 | 1233 | 4.0 | 3.333 | 76 | 9325 | 91 | 9326 | 174 | 734 | 3.86E-03 | GST06 - 2A □□□ 090C22 MDSKA□□ 090-22 140 |
| 37 | 988 | 3.6 | 4.160 | 94 | 9325 | 113 | 9326 | 191 | 665 | 3.85E-03 | GST06 - 2A □□□ 090C22 MDSKA□□ 090-22 140 |
| 41 | 899 | 3.4 | 4.571 | 104 | 9325 | 124 | 9326 | 200 | 599 | 3.84E-03 | GST06 - 2A □□□ 090C22 MDSKA□□ 090-22 140 |
| 48 | 772 | 3.0 | 5.324 | 121 | 9325 | 145 | 9326 | 207 | 583 | 3.78E-03 | GST06 - 2A □□□ 090C22 MDSKA□□ 090-22 140 |
| 53 | 703 | 2.9 | 5.850 | 133 | 9325 | 159 | 9326 | 222 | 527 | 3.77E-03 | GST06 - 2A □□□ 090C22 MDSKA□□ 090-22 140 |
| 58 | 642 | 2.8 | 6.400 | 145 | 9325 | 174 | 9326 | 229 | 486 | 3.75E-03 | GST06 - 2A □□□ 090C22 MDSKA□□ 090-22 140 |
| 64 | 584 | 2.6 | 7.040 | 160 | 9325 | 191 | 9326 | 236 | 368 | 3.81E-03 | GST06 - 2A □□□ 090C22 MDSKA□□ 090-22 140 |
| 74 | 503 | 2.4 | 8.163 | 185 | 9325 | 222 | 9326 | 252 | 381 | 3.71E-03 | GST06 - 2A □□□ 090C22 MDSKA□□ 090-22 140 |
| 82 | 456 | 2.2 | 9.010 | 205 | 9325 | 245 | 9326 | 261 | 323 | 3.75E-03 | GST06 - 2A □□□ 090C22 MDSKA□□ 090-22 140 |
| 91 | 411 | 2.1 | 10.000 | 227 | 9325 | 272 | 9326 | 269 | 311 | 3.68E-03 | GST06 - 2A □□□ 090C22 MDSKA□□ 090-22 140 |
| 102 | 367 | 1.9 | 11.200 | 254 | 9325 | 304 | 9326 | 280 | 260 | 3.73E-03 | GST06 - 2A □□□ 090C22 MDSKA□□ 090-22 140 |
| 115 | 327 | 1.8 | 12.571 | 285 | 9325 | 342 | 9326 | 295 | 247 | 3.70E-03 | GST06 - 2A □□□ 090C22 MDSKA□□ 090-22 140 |
| 131 | 288 | 1.7 | 14.286 | 324 | 9325 | 388 | 9326 | 307 | 211 | 3.69E-03 | GST06 - 2A □□□ 090C22 MDSKA□□ 090-22 140 |
| 141 | 267 | 1.8 | 15.400 | 350 | 9325 | 418 | 9326 | 318 | 202 | 3.67E-03 | GST06 - 2A □□□ 090C22 MDSKA□□ 090-22 140 |
| 160 | 235 | 1.6 | 17.500 | 397 | 9325 | 470 | 9326 | 313 | 178 | 3.67E-03 | GST06 - 2A □□□ 090C22 MDSKA□□ 090-22 140 |
| 73 | 101 | 3.5 | 39.200 | 167 | 9322 | 199 | 9323 | 321 | 101 | 2.76E-04 | GST06 - 3A □□□ 056C22 MDSKA□□ 056-22 140 |
| 82 | 90 | 3.6 | 44.000 | 187 | 9322 | 223 | 9323 | 335 | 90 | 2.60E-04 | GST06 - 3A □□□ 056C22 MDSKA□□ 056-22 140 |
| 95 | 77 | 3.0 | 51.022 | 217 | 9322 | 258 | 9323 | 325 | 77 | 2.72E-04 | GST06 - 3A □□□ 056C22 MDSKA□□ 056-22 140 |
| 101 | 73 | 3.1 | 53.900 | 229 | 9322 | 273 | 9323 | 349 | 73 | 2.58E-04 | GST06 - 3A □□□ 056C22 MDSKA□□ 056-22 140 |
| 127 | 58 | 2.6 | 67.760 | 288 | 9322 | 343 | 9323 | 365 | 58 | 2.51E-04 | GST06 - 3A □□□ 056C22 MDSKA□□ 056-22 140 |
| 132 | 56 | 2.4 | 70.156 | 298 | 9322 | 355 | 9323 | 359 | 56 | 2.56E-04 | GST06 - 3A □□□ 056C22 MDSKA□□ 056-22 140 |
| 153 | 49 | 2.0 | 80.952 | 344 | 9322 | 410 | 9323 | 332 | 49 | 2.60E-04 | GST06 - 3A □□□ 056C22 MDSKA□□ 056-22 140 |
| 165 | 45 | 2.0 | 87.267 | 371 | 9322 | 442 | 9323 | 370 | 45 | 2.55E-04 | GST06 - 3A □□□ 056C22 MDSKA□□ 056-22 140 |
| 188 | 40 | 1.6 | 99.167 | 422 | 9322 | 502 | 9323 | 336 | 40 | 2.55E-04 | GST06 - 3A □□□ 056C22 MDSKA□□ 056-22 140 |
| 208 | 36 | 1.6 | 109.707 | 467 | 9322 | 556 | 9323 | 375 | 36 | 2.50E-04 | GST06 - 3A □□□ 056C22 MDSKA□□ 056-22 140 |
| 238 | 32 | 1.3 | 124.667 | 509 | 9322 | 509 | 9323 | 339 | 32 | 2.50E-04 | GST06 - 3A □□□ 056C22 MDSKA□□ 056-22 140 |
| 269 | 28 | 1.3 | 141.289 | 563 | 9322 | 563 | 9323 | 375 | 28 | 2.46E-04 | GST06 - 3A □□□ 056C22 MDSKA□□ 056-22 140 |
| 307 | 25 | 1.0 | 160.556 | 513 | 9322 | 513 | 9323 | 342 | 25 | 2.46E-04 | GST06 - 3A □□□ 056C22 MDSKA□□ 056-22 140 |
| 149 | 103 | 1.7 | 39.200 | 472 | 9324 | 345 | 9324 | 321 | 103 | 8.66E-04 | GST06 - 3A □□□ 071C22 MDSKA□□ 071-22 140 |
| 167 | 92 | 1.8 | 44.000 | 503 | 9324 | 387 | 9324 | 335 | 92 | 8.50E-04 | GST06 - 3A □□□ 071C22 MDSKA□□ 071-22 140 |
| 194 | 79 | 1.5 | 51.022 | 488 | 9324 | 449 | 9324 | 325 | 79 | 8.62E-04 | GST06 - 3A □□□ 071C22 MDSKA□□ 071-22 140 |

Observe the notes for thermal dimensioning.



Selection tables - Helical gearboxes

Naturally ventilated asynchronous geared servo motors

| M ₂ [Nm] | n ₂ trans [rpm] | c | i | M ₂ max short-time on geared motor at | | | | M ₂ Gr gearbox c=1 n ₁ ≤ 1400 rpm [Nm] | n ₂ therm [rpm] | J _{GM} referred to motor shaft [kgm ²] | Servo helical- geared motor Dimensions on Page 3-99 |
|------------------------|-------------------------------|-----|--------|---|-------------|----------------------------|-------------|--|-------------------------------|---|--|
| | | | | 8 kHz | | 16 kHz | | | | | |
| | | | | M ₂ max [Nm] | Type EVS | M ₂ max [Nm] | Type EVS | | | | |
| 205 | 75 | 1.5 | 53.900 | 523 | 9324 | 474 | 9324 | 349 | 75 | 8.48E-04 | GST06 - 3A □□□ 071C22 MDSKA□□ 071-22 140 |
| 268 | 58 | 1.2 | 70.156 | 538 | 9324 | 538 | 9324 | 359 | 58 | 8.46E-04 | GST06 - 3A □□□ 071C22 MDSKA□□ 071-22 140 |
| 334 | 46 | 1.0 | 87.267 | 554 | 9324 | 554 | 9324 | 370 | 46 | 8.45E-04 | GST06 - 3A □□□ 071C22 MDSKA□□ 071-22 140 |
| 14 | 539 | 5.3 | 7.333 | 32 | 9322 | 38 | 9323 | 107 | 539 | 3.06E-04 | GST07 - 1A □□□ 056C22 MDSKA□□ 056-22 140 |
| 17 | 444 | 4.7 | 8.900 | 39 | 9322 | 47 | 9323 | 113 | 444 | 2.89E-04 | GST07 - 1A □□□ 056C22 MDSKA□□ 056-22 140 |
| 22 | 351 | 3.7 | 11.250 | 49 | 9322 | 59 | 9323 | 114 | 351 | 2.72E-04 | GST07 - 1A □□□ 056C22 MDSKA□□ 056-22 140 |
| 17 | 889 | 6.0 | 4.556 | 57 | 9324 | 41 | 9324 | 150 | 889 | 9.67E-04 | GST07 - 1A □□□ 071C22 MDSKA□□ 071-22 140 |
| 21 | 725 | 5.1 | 5.583 | 69 | 9324 | 51 | 9324 | 156 | 725 | 9.35E-04 | GST07 - 1A □□□ 071C22 MDSKA□□ 071-22 140 |
| 28 | 552 | 4.0 | 7.333 | 91 | 9324 | 67 | 9324 | 161 | 552 | 8.96E-04 | GST07 - 1A □□□ 071C22 MDSKA□□ 071-22 140 |
| 34 | 455 | 3.4 | 8.900 | 111 | 9324 | 81 | 9324 | 164 | 455 | 8.79E-04 | GST07 - 1A □□□ 071C22 MDSKA□□ 071-22 140 |
| 44 | 360 | 2.2 | 11.250 | 140 | 9324 | 102 | 9324 | 136 | 360 | 8.62E-04 | GST07 - 1A □□□ 071C22 MDSKA□□ 071-22 140 |
| 29 | 439 | 5.6 | 4.556 | 68 | 9323 | 95 | 9324 | 186 | 439 | 2.06E-03 | GST07 - 1A □□□ 080C22 MDSKA□□ 080-22 70 |
| 35 | 358 | 4.8 | 5.583 | 83 | 9323 | 117 | 9324 | 196 | 358 | 2.03E-03 | GST07 - 1A □□□ 080C22 MDSKA□□ 080-22 70 |
| 47 | 273 | 3.7 | 7.333 | 109 | 9323 | 153 | 9324 | 196 | 273 | 1.99E-03 | GST07 - 1A □□□ 080C22 MDSKA□□ 080-22 70 |
| 58 | 225 | 2.8 | 8.900 | 132 | 9323 | 186 | 9324 | 183 | 225 | 1.97E-03 | GST07 - 1A □□□ 080C22 MDSKA□□ 080-22 70 |
| 23 | 900 | 5.5 | 4.556 | 59 | 9324 | 86 | 9325 | 186 | 788 | 2.06E-03 | GST07 - 1A □□□ 080C22 MDSKA□□ 080-22 140 |
| 29 | 734 | 4.7 | 5.583 | 73 | 9324 | 105 | 9325 | 196 | 643 | 2.03E-03 | GST07 - 1A □□□ 080C22 MDSKA□□ 080-22 140 |
| 38 | 559 | 3.6 | 7.333 | 95 | 9324 | 138 | 9325 | 196 | 490 | 1.99E-03 | GST07 - 1A □□□ 080C22 MDSKA□□ 080-22 140 |
| 46 | 461 | 2.8 | 8.900 | 116 | 9324 | 167 | 9325 | 183 | 403 | 1.97E-03 | GST07 - 1A □□□ 080C22 MDSKA□□ 080-22 140 |
| 17 | 1415 | 5.3 | 1.625 | 39 | 9324 | 55 | 9325 | 106 | 1415 | 4.21E-03 | GST07 - 1A □□□ 090C22 MDSKA□□ 090-22 80 |
| 20 | 1150 | 5.0 | 2.000 | 48 | 9324 | 68 | 9325 | 124 | 1150 | 4.08E-03 | GST07 - 1A □□□ 090C22 MDSKA□□ 090-22 80 |
| 23 | 1027 | 4.9 | 2.240 | 54 | 9324 | 76 | 9325 | 135 | 1027 | 4.00E-03 | GST07 - 1A □□□ 090C22 MDSKA□□ 090-22 80 |
| 29 | 805 | 4.5 | 2.857 | 69 | 9324 | 97 | 9325 | 159 | 805 | 3.87E-03 | GST07 - 1A □□□ 090C22 MDSKA□□ 090-22 80 |
| 36 | 657 | 4.0 | 3.500 | 84 | 9324 | 119 | 9325 | 172 | 657 | 3.82E-03 | GST07 - 1A □□□ 090C22 MDSKA□□ 090-22 80 |
| 47 | 505 | 3.3 | 4.556 | 110 | 9324 | 155 | 9325 | 186 | 505 | 3.74E-03 | GST07 - 1A □□□ 090C22 MDSKA□□ 090-22 80 |
| 58 | 412 | 2.9 | 5.583 | 134 | 9324 | 190 | 9325 | 196 | 412 | 3.71E-03 | GST07 - 1A □□□ 090C22 MDSKA□□ 090-22 80 |
| 15 | 2529 | 5.0 | 1.625 | 38 | 9325 | 45 | 9326 | 106 | 1547 | 4.21E-03 | GST07 - 1A □□□ 090C22 MDSKA□□ 090-22 140 |
| 18 | 2055 | 4.7 | 2.000 | 46 | 9325 | 55 | 9326 | 124 | 1406 | 4.08E-03 | GST07 - 1A □□□ 090C22 MDSKA□□ 090-22 140 |
| 20 | 1835 | 4.6 | 2.240 | 52 | 9325 | 62 | 9326 | 135 | 1298 | 4.00E-03 | GST07 - 1A □□□ 090C22 MDSKA□□ 090-22 140 |
| 26 | 1439 | 4.2 | 2.857 | 66 | 9325 | 79 | 9326 | 159 | 1089 | 3.87E-03 | GST07 - 1A □□□ 090C22 MDSKA□□ 090-22 140 |
| 32 | 1174 | 3.8 | 3.500 | 81 | 9325 | 97 | 9326 | 172 | 889 | 3.82E-03 | GST07 - 1A □□□ 090C22 MDSKA□□ 090-22 140 |
| 42 | 902 | 3.1 | 4.556 | 105 | 9325 | 126 | 9326 | 186 | 683 | 3.74E-03 | GST07 - 1A □□□ 090C22 MDSKA□□ 090-22 140 |
| 51 | 736 | 2.7 | 5.583 | 129 | 9325 | 154 | 9326 | 196 | 557 | 3.71E-03 | GST07 - 1A □□□ 090C22 MDSKA□□ 090-22 140 |
| 25 | 1440 | 3.5 | 1.625 | 76 | 9325 | 54 | 9325 | 106 | 1437 | 7.81E-03 | GST07 - 1A □□□ 100C22 MDSKA□□ 100-22 80 |

Observe the notes for thermal dimensioning.

Selection tables - Helical gearboxes

Naturally ventilated asynchronous geared servo motors



| M ₂ [Nm] | n _{2 trans} [rpm] | c | i | M _{2 max} short-time on geared motor at | | | | M _{2 Gr} gearbox c=1 n ₁ ≤ 1400 rpm [Nm] | n _{2 therm} [rpm] | J _{GM} referred to motor shaft [kgm ²] | Servo helical-geared motor Dimensions on Page 3-99 |
|------------------------|-------------------------------|------------|---------------|--|-------------|----------------------------|-------------|---|-------------------------------|--|---|
| | | | | 8 kHz | | 16 kHz | | | | | |
| | | | | M _{2 max} [Nm] | Type EVS | M _{2 max} [Nm] | Type EVS | | | | |
| 31 | 1170 | 3.3 | 2.000 | 93 | 9325 | 67 | 9325 | 124 | 1170 | 7.68E-03 | GST07 - 1A □□□ 100C22 MDSKA□□ 100-22 80 |
| 35 | 1045 | 3.2 | 2.240 | 104 | 9325 | 75 | 9325 | 135 | 1045 | 7.60E-03 | GST07 - 1A □□□ 100C22 MDSKA□□ 100-22 80 |
| 45 | 819 | 3.0 | 2.857 | 133 | 9325 | 95 | 9325 | 159 | 819 | 7.47E-03 | GST07 - 1A □□□ 100C22 MDSKA□□ 100-22 80 |
| 55 | 669 | 2.6 | 3.500 | 163 | 9325 | 117 | 9325 | 172 | 669 | 7.42E-03 | GST07 - 1A □□□ 100C22 MDSKA□□ 100-22 80 |
| 19 | 2554 | 3.9 | 1.625 | 69 | 9326 | 41 | 9326 | 106 | 1473 | 7.81E-03 | GST07 - 1A □□□ 100C22 MDSKA□□ 100-22 140 |
| 23 | 2075 | 3.7 | 2.000 | 85 | 9326 | 51 | 9326 | 124 | 1224 | 7.68E-03 | GST07 - 1A □□□ 100C22 MDSKA□□ 100-22 140 |
| 26 | 1853 | 3.6 | 2.240 | 96 | 9326 | 57 | 9326 | 135 | 1093 | 7.60E-03 | GST07 - 1A □□□ 100C22 MDSKA□□ 100-22 140 |
| 33 | 1453 | 3.3 | 2.857 | 122 | 9326 | 73 | 9326 | 159 | 857 | 7.47E-03 | GST07 - 1A □□□ 100C22 MDSKA□□ 100-22 140 |
| 41 | 1186 | 3.0 | 3.500 | 149 | 9326 | 89 | 9326 | 172 | 700 | 7.42E-03 | GST07 - 1A □□□ 100C22 MDSKA□□ 100-22 140 |
| 39 | 1532 | 2.3 | 1.625 | 125 | 9326 | 89 | 9326 | 106 | 1239 | 1.86E-02 | GST07 - 1A □□□ 112C22 MDSKA□□ 112-22 85 |
| 48 | 1245 | 2.2 | 2.000 | 154 | 9326 | 110 | 9326 | 124 | 1007 | 1.85E-02 | GST07 - 1A □□□ 112C22 MDSKA□□ 112-22 85 |
| 54 | 1112 | 2.1 | 2.240 | 172 | 9326 | 123 | 9326 | 135 | 899 | 1.84E-02 | GST07 - 1A □□□ 112C22 MDSKA□□ 112-22 85 |
| 27 | 2560 | 2.8 | 1.625 | 70 | 9326 | 60 | 9327 | 106 | 1239 | 1.86E-02 | GST07 - 1A □□□ 112C22 MDSKA□□ 112-22 140 |
| 33 | 2080 | 2.6 | 2.000 | 87 | 9326 | 74 | 9327 | 124 | 1007 | 1.85E-02 | GST07 - 1A □□□ 112C22 MDSKA□□ 112-22 140 |
| 37 | 1857 | 2.6 | 2.240 | 97 | 9326 | 83 | 9327 | 135 | 899 | 1.84E-02 | GST07 - 1A □□□ 112C22 MDSKA□□ 112-22 140 |
| 73 | 101 | 5.3 | 39.160 | 169 | 9322 | 201 | 9323 | 491 | 101 | 2.89E-04 | GST07 - 2A □□□ 056C22 MDSKA□□ 056-22 140 |
| 82 | 89 | 5.9 | 44.500 | 192 | 9322 | 229 | 9323 | 558 | 89 | 2.88E-04 | GST07 - 2A □□□ 056C22 MDSKA□□ 056-22 140 |
| 92 | 80 | 4.7 | 49.500 | 214 | 9322 | 255 | 9323 | 493 | 80 | 2.73E-04 | GST07 - 2A □□□ 056C22 MDSKA□□ 056-22 140 |
| 105 | 70 | 4.7 | 56.250 | 243 | 9322 | 289 | 9323 | 560 | 70 | 2.73E-04 | GST07 - 2A □□□ 056C22 MDSKA□□ 056-22 140 |
| 91 | 165 | 5.8 | 24.567 | 300 | 9324 | 219 | 9324 | 677 | 165 | 9.32E-04 | GST07 - 2A □□□ 071C22 MDSKA□□ 071-22 140 |
| 104 | 145 | 5.2 | 27.917 | 341 | 9324 | 249 | 9324 | 691 | 145 | 9.31E-04 | GST07 - 2A □□□ 071C22 MDSKA□□ 071-22 140 |
| 121 | 126 | 4.6 | 32.267 | 395 | 9324 | 288 | 9324 | 698 | 126 | 8.96E-04 | GST07 - 2A □□□ 071C22 MDSKA□□ 071-22 140 |
| 138 | 110 | 4.0 | 36.667 | 448 | 9324 | 327 | 9324 | 702 | 110 | 8.95E-04 | GST07 - 2A □□□ 071C22 MDSKA□□ 071-22 140 |
| 148 | 103 | 3.8 | 39.160 | 479 | 9324 | 350 | 9324 | 706 | 103 | 8.79E-04 | GST07 - 2A □□□ 071C22 MDSKA□□ 071-22 140 |
| 168 | 91 | 3.7 | 44.500 | 544 | 9324 | 397 | 9324 | 707 | 91 | 8.78E-04 | GST07 - 2A □□□ 071C22 MDSKA□□ 071-22 140 |
| 188 | 82 | 2.8 | 49.500 | 605 | 9324 | 442 | 9324 | 600 | 82 | 8.63E-04 | GST07 - 2A □□□ 071C22 MDSKA□□ 071-22 140 |
| 214 | 72 | 2.9 | 56.250 | 688 | 9324 | 502 | 9324 | 688 | 72 | 8.63E-04 | GST07 - 2A □□□ 071C22 MDSKA□□ 071-22 140 |
| 108 | 114 | 6.0 | 17.500 | 256 | 9323 | 360 | 9324 | 680 | 114 | 2.14E-03 | GST07 - 2A □□□ 080C22 MDSKA□□ 080-22 70 |
| 124 | 100 | 5.3 | 20.044 | 294 | 9323 | 412 | 9324 | 694 | 100 | 2.06E-03 | GST07 - 2A □□□ 080C22 MDSKA□□ 080-22 70 |
| 143 | 88 | 4.6 | 22.778 | 334 | 9323 | 469 | 9324 | 682 | 88 | 2.06E-03 | GST07 - 2A □□□ 080C22 MDSKA□□ 080-22 70 |
| 154 | 81 | 4.4 | 24.567 | 360 | 9323 | 505 | 9324 | 706 | 81 | 2.02E-03 | GST07 - 2A □□□ 080C22 MDSKA□□ 080-22 70 |
| 176 | 72 | 3.8 | 27.917 | 409 | 9323 | 574 | 9324 | 691 | 72 | 2.02E-03 | GST07 - 2A □□□ 080C22 MDSKA□□ 080-22 70 |
| 205 | 62 | 3.4 | 32.267 | 473 | 9323 | 664 | 9324 | 706 | 62 | 1.99E-03 | GST07 - 2A □□□ 080C22 MDSKA□□ 080-22 70 |
| 234 | 55 | 2.9 | 36.667 | 537 | 9323 | 754 | 9324 | 702 | 55 | 1.99E-03 | GST07 - 2A □□□ 080C22 MDSKA□□ 080-22 70 |

Observe the notes for thermal dimensioning.

Selection tables - Helical gearboxes

Naturally ventilated asynchronous geared servo motors

| M ₂ [Nm] | n ₂ trans [rpm] | c | i | M ₂ max short-time on geared motor at | | | | M ₂ Gr gearbox c=1 n ₁ ≤ 1400 rpm [Nm] | n ₂ therm [rpm] | J _{GM} referred to motor shaft [kgm ²] | Servo helical- geared motor Dimensions on Page 3-99 |
|------------------------|-------------------------------|-----|--------|---|-------------|----------------------------|-------------|--|-------------------------------|---|--|
| | | | | 8 kHz | | 16 kHz | | | | | |
| | | | | M ₂ max [Nm] | Type EVS | M ₂ max [Nm] | Type EVS | | | | |
| 250 | 51 | 2.8 | 39.160 | 574 | 9323 | 806 | 9324 | 706 | 51 | 1.97E-03 | GST07 - 2A □□□ 080C22 MDSKA□□ 080-22 70 |
| 285 | 45 | 2.4 | 44.500 | 652 | 9323 | 915 | 9324 | 707 | 45 | 1.97E-03 | GST07 - 2A □□□ 080C22 MDSKA□□ 080-22 70 |
| 100 | 205 | 5.4 | 20.044 | 257 | 9324 | 371 | 9325 | 694 | 179 | 2.06E-03 | GST07 - 2A □□□ 080C22 MDSKA□□ 080-22 140 |
| 115 | 180 | 4.6 | 22.778 | 292 | 9324 | 422 | 9325 | 682 | 158 | 2.06E-03 | GST07 - 2A □□□ 080C22 MDSKA□□ 080-22 140 |
| 124 | 167 | 4.5 | 24.567 | 315 | 9324 | 455 | 9325 | 706 | 146 | 2.02E-03 | GST07 - 2A □□□ 080C22 MDSKA□□ 080-22 140 |
| 142 | 147 | 3.8 | 27.917 | 358 | 9324 | 517 | 9325 | 691 | 129 | 2.02E-03 | GST07 - 2A □□□ 080C22 MDSKA□□ 080-22 140 |
| 165 | 127 | 3.4 | 32.267 | 413 | 9324 | 598 | 9325 | 706 | 111 | 1.99E-03 | GST07 - 2A □□□ 080C22 MDSKA□□ 080-22 140 |
| 188 | 112 | 3.0 | 36.667 | 470 | 9324 | 680 | 9325 | 702 | 98 | 1.99E-03 | GST07 - 2A □□□ 080C22 MDSKA□□ 080-22 140 |
| 201 | 105 | 2.8 | 39.160 | 502 | 9324 | 726 | 9325 | 706 | 92 | 1.97E-03 | GST07 - 2A □□□ 080C22 MDSKA□□ 080-22 140 |
| 229 | 92 | 2.7 | 44.500 | 570 | 9324 | 825 | 9325 | 707 | 81 | 1.97E-03 | GST07 - 2A □□□ 080C22 MDSKA□□ 080-22 140 |
| 64 | 359 | 6.0 | 6.400 | 152 | 9324 | 214 | 9325 | 463 | 359 | 4.05E-03 | GST07 - 2A □□□ 090C22 MDSKA□□ 090-22 80 |
| 71 | 322 | 5.7 | 7.150 | 169 | 9324 | 239 | 9325 | 489 | 322 | 4.23E-03 | GST07 - 2A □□□ 090C22 MDSKA□□ 090-22 80 |
| 81 | 283 | 5.5 | 8.125 | 192 | 9324 | 272 | 9325 | 539 | 283 | 4.20E-03 | GST07 - 2A □□□ 090C22 MDSKA□□ 090-22 80 |
| 88 | 261 | 5.0 | 8.800 | 208 | 9324 | 295 | 9325 | 527 | 261 | 4.07E-03 | GST07 - 2A □□□ 090C22 MDSKA□□ 090-22 80 |
| 99 | 233 | 4.6 | 9.856 | 233 | 9324 | 330 | 9325 | 549 | 233 | 3.99E-03 | GST07 - 2A □□□ 090C22 MDSKA□□ 090-22 80 |
| 113 | 205 | 4.4 | 11.200 | 265 | 9324 | 375 | 9325 | 598 | 205 | 3.98E-03 | GST07 - 2A □□□ 090C22 MDSKA□□ 090-22 80 |
| 128 | 183 | 4.0 | 12.571 | 298 | 9324 | 421 | 9325 | 601 | 183 | 3.89E-03 | GST07 - 2A □□□ 090C22 MDSKA□□ 090-22 80 |
| 146 | 161 | 3.7 | 14.286 | 338 | 9324 | 478 | 9325 | 642 | 161 | 3.88E-03 | GST07 - 2A □□□ 090C22 MDSKA□□ 090-22 80 |
| 156 | 149 | 3.9 | 15.400 | 365 | 9324 | 516 | 9325 | 644 | 149 | 3.83E-03 | GST07 - 2A □□□ 090C22 MDSKA□□ 090-22 80 |
| 178 | 131 | 3.7 | 17.500 | 414 | 9324 | 586 | 9325 | 680 | 131 | 3.82E-03 | GST07 - 2A □□□ 090C22 MDSKA□□ 090-22 80 |
| 205 | 115 | 3.3 | 20.044 | 475 | 9324 | 671 | 9325 | 694 | 115 | 3.74E-03 | GST07 - 2A □□□ 090C22 MDSKA□□ 090-22 80 |
| 234 | 101 | 2.8 | 22.778 | 539 | 9324 | 762 | 9325 | 682 | 101 | 3.74E-03 | GST07 - 2A □□□ 090C22 MDSKA□□ 090-22 80 |
| 253 | 94 | 2.7 | 24.567 | 582 | 9324 | 822 | 9325 | 706 | 94 | 3.70E-03 | GST07 - 2A □□□ 090C22 MDSKA□□ 090-22 80 |
| 289 | 82 | 2.3 | 27.917 | 661 | 9324 | 934 | 9325 | 691 | 82 | 3.70E-03 | GST07 - 2A □□□ 090C22 MDSKA□□ 090-22 80 |
| 56 | 642 | 5.6 | 6.400 | 145 | 9325 | 174 | 9326 | 463 | 472 | 4.05E-03 | GST07 - 2A □□□ 090C22 MDSKA□□ 090-22 140 |
| 63 | 575 | 5.3 | 7.150 | 162 | 9325 | 194 | 9326 | 489 | 356 | 4.23E-03 | GST07 - 2A □□□ 090C22 MDSKA□□ 090-22 140 |
| 72 | 506 | 5.1 | 8.125 | 185 | 9325 | 221 | 9326 | 539 | 311 | 4.20E-03 | GST07 - 2A □□□ 090C22 MDSKA□□ 090-22 140 |
| 78 | 467 | 4.6 | 8.800 | 200 | 9325 | 239 | 9326 | 527 | 318 | 4.07E-03 | GST07 - 2A □□□ 090C22 MDSKA□□ 090-22 140 |
| 88 | 417 | 4.3 | 9.856 | 224 | 9325 | 268 | 9326 | 549 | 292 | 3.99E-03 | GST07 - 2A □□□ 090C22 MDSKA□□ 090-22 140 |
| 100 | 367 | 4.1 | 11.200 | 254 | 9325 | 304 | 9326 | 598 | 254 | 3.98E-03 | GST07 - 2A □□□ 090C22 MDSKA□□ 090-22 140 |
| 113 | 327 | 3.7 | 12.571 | 285 | 9325 | 342 | 9326 | 601 | 247 | 3.89E-03 | GST07 - 2A □□□ 090C22 MDSKA□□ 090-22 140 |
| 128 | 288 | 3.5 | 14.286 | 324 | 9325 | 388 | 9326 | 642 | 218 | 3.88E-03 | GST07 - 2A □□□ 090C22 MDSKA□□ 090-22 140 |
| 138 | 267 | 3.7 | 15.400 | 350 | 9325 | 418 | 9326 | 644 | 202 | 3.83E-03 | GST07 - 2A □□□ 090C22 MDSKA□□ 090-22 140 |
| 157 | 235 | 3.4 | 17.500 | 397 | 9325 | 475 | 9326 | 680 | 178 | 3.82E-03 | GST07 - 2A □□□ 090C22 MDSKA□□ 090-22 140 |

Observe the notes for thermal dimensioning.

Selection tables - Helical gearboxes

Naturally ventilated asynchronous geared servo motors



| M ₂ [Nm] | n _{2 trans} [rpm] | c | i | M _{2 max} short-time on geared motor at | | | | M _{2 Gr} gearbox c=1 n ₁ ≤ 1400 rpm [Nm] | n _{2 therm} [rpm] | J _{GM} referred to motor shaft [kgm ²] | Servo helical-geared motor Dimensions on Page 3-99 |
|------------------------|-------------------------------|-----|--------|--|-------------|----------------------------|-------------|---|-------------------------------|--|---|
| | | | | 8 kHz | | 16 kHz | | | | | |
| | | | | M _{2 max} [Nm] | Type EVS | M _{2 max} [Nm] | Type EVS | | | | |
| 181 | 205 | 3.1 | 20.044 | 455 | 9325 | 545 | 9326 | 694 | 155 | 3.74E-03 | GST07 - 2A □□□ 090C22 MDSKA□□ 090-22 140 |
| 206 | 180 | 2.6 | 22.778 | 517 | 9325 | 619 | 9326 | 682 | 137 | 3.74E-03 | GST07 - 2A □□□ 090C22 MDSKA□□ 090-22 140 |
| 223 | 167 | 2.5 | 24.567 | 558 | 9325 | 667 | 9326 | 706 | 127 | 3.70E-03 | GST07 - 2A □□□ 090C22 MDSKA□□ 090-22 140 |
| 254 | 147 | 2.2 | 27.917 | 634 | 9325 | 758 | 9326 | 691 | 111 | 3.70E-03 | GST07 - 2A □□□ 090C22 MDSKA□□ 090-22 140 |
| 50 | 699 | 6.0 | 3.350 | 153 | 9325 | 110 | 9325 | 367 | 678 | 7.99E-03 | GST07 - 2A □□□ 100C22 MDSKA□□ 100-22 80 |
| 64 | 554 | 5.1 | 4.225 | 194 | 9325 | 139 | 9325 | 398 | 554 | 7.97E-03 | GST07 - 2A □□□ 100C22 MDSKA□□ 100-22 80 |
| 71 | 504 | 4.9 | 4.643 | 213 | 9325 | 152 | 9325 | 414 | 504 | 7.94E-03 | GST07 - 2A □□□ 100C22 MDSKA□□ 100-22 80 |
| 79 | 450 | 4.5 | 5.200 | 238 | 9325 | 171 | 9325 | 427 | 450 | 7.76E-03 | GST07 - 2A □□□ 100C22 MDSKA□□ 100-22 80 |
| 87 | 410 | 4.3 | 5.714 | 262 | 9325 | 187 | 9325 | 448 | 410 | 7.75E-03 | GST07 - 2A □□□ 100C22 MDSKA□□ 100-22 80 |
| 98 | 366 | 3.9 | 6.400 | 293 | 9325 | 210 | 9325 | 463 | 366 | 7.65E-03 | GST07 - 2A □□□ 100C22 MDSKA□□ 100-22 80 |
| 110 | 327 | 3.7 | 7.150 | 327 | 9325 | 235 | 9325 | 489 | 327 | 7.83E-03 | GST07 - 2A □□□ 100C22 MDSKA□□ 100-22 80 |
| 125 | 288 | 3.6 | 8.125 | 372 | 9325 | 266 | 9325 | 539 | 288 | 7.80E-03 | GST07 - 2A □□□ 100C22 MDSKA□□ 100-22 80 |
| 136 | 266 | 3.3 | 8.800 | 403 | 9325 | 289 | 9325 | 527 | 266 | 7.67E-03 | GST07 - 2A □□□ 100C22 MDSKA□□ 100-22 80 |
| 153 | 237 | 3.0 | 9.856 | 451 | 9325 | 323 | 9325 | 549 | 237 | 7.59E-03 | GST07 - 2A □□□ 100C22 MDSKA□□ 100-22 80 |
| 174 | 209 | 2.9 | 11.200 | 513 | 9325 | 367 | 9325 | 598 | 209 | 7.58E-03 | GST07 - 2A □□□ 100C22 MDSKA□□ 100-22 80 |
| 196 | 186 | 2.6 | 12.571 | 576 | 9325 | 412 | 9325 | 601 | 186 | 7.49E-03 | GST07 - 2A □□□ 100C22 MDSKA□□ 100-22 80 |
| 223 | 164 | 2.4 | 14.286 | 654 | 9325 | 469 | 9325 | 642 | 164 | 7.48E-03 | GST07 - 2A □□□ 100C22 MDSKA□□ 100-22 80 |
| 240 | 152 | 2.6 | 15.400 | 705 | 9325 | 505 | 9325 | 644 | 152 | 7.43E-03 | GST07 - 2A □□□ 100C22 MDSKA□□ 100-22 80 |
| 273 | 134 | 2.4 | 17.500 | 801 | 9325 | 574 | 9325 | 680 | 134 | 7.42E-03 | GST07 - 2A □□□ 100C22 MDSKA□□ 100-22 80 |
| 47 | 982 | 5.8 | 4.225 | 178 | 9326 | 106 | 9326 | 398 | 580 | 7.97E-03 | GST07 - 2A □□□ 100C22 MDSKA□□ 100-22 140 |
| 52 | 894 | 5.5 | 4.643 | 195 | 9326 | 116 | 9326 | 414 | 527 | 7.94E-03 | GST07 - 2A □□□ 100C22 MDSKA□□ 100-22 140 |
| 58 | 798 | 5.0 | 5.200 | 219 | 9326 | 130 | 9326 | 427 | 471 | 7.76E-03 | GST07 - 2A □□□ 100C22 MDSKA□□ 100-22 140 |
| 64 | 726 | 4.8 | 5.714 | 240 | 9326 | 143 | 9326 | 448 | 429 | 7.75E-03 | GST07 - 2A □□□ 100C22 MDSKA□□ 100-22 140 |
| 72 | 648 | 4.4 | 6.400 | 269 | 9326 | 160 | 9326 | 463 | 383 | 7.65E-03 | GST07 - 2A □□□ 100C22 MDSKA□□ 100-22 140 |
| 81 | 580 | 4.2 | 7.150 | 300 | 9326 | 179 | 9326 | 489 | 339 | 7.83E-03 | GST07 - 2A □□□ 100C22 MDSKA□□ 100-22 140 |
| 92 | 511 | 4.1 | 8.125 | 341 | 9326 | 203 | 9326 | 539 | 297 | 7.80E-03 | GST07 - 2A □□□ 100C22 MDSKA□□ 100-22 140 |
| 100 | 472 | 3.7 | 8.800 | 370 | 9326 | 220 | 9326 | 527 | 278 | 7.67E-03 | GST07 - 2A □□□ 100C22 MDSKA□□ 100-22 140 |
| 112 | 421 | 3.4 | 9.856 | 414 | 9326 | 247 | 9326 | 549 | 248 | 7.59E-03 | GST07 - 2A □□□ 100C22 MDSKA□□ 100-22 140 |
| 127 | 371 | 3.3 | 11.200 | 471 | 9326 | 280 | 9326 | 598 | 219 | 7.58E-03 | GST07 - 2A □□□ 100C22 MDSKA□□ 100-22 140 |
| 143 | 330 | 2.9 | 12.571 | 528 | 9326 | 315 | 9326 | 601 | 195 | 7.49E-03 | GST07 - 2A □□□ 100C22 MDSKA□□ 100-22 140 |
| 163 | 291 | 2.7 | 14.286 | 600 | 9326 | 358 | 9326 | 642 | 171 | 7.48E-03 | GST07 - 2A □□□ 100C22 MDSKA□□ 100-22 140 |
| 176 | 269 | 2.9 | 15.400 | 647 | 9326 | 386 | 9326 | 644 | 159 | 7.43E-03 | GST07 - 2A □□□ 100C22 MDSKA□□ 100-22 140 |
| 200 | 237 | 2.7 | 17.500 | 735 | 9326 | 438 | 9326 | 680 | 140 | 7.42E-03 | GST07 - 2A □□□ 100C22 MDSKA□□ 100-22 140 |
| 70 | 817 | 4.1 | 3.048 | 231 | 9326 | 165 | 9326 | 351 | 661 | 1.88E-02 | GST07 - 2A □□□ 112C22 MDSKA□□ 112-22 85 |

Observe the notes for thermal dimensioning.

Selection tables - Helical gearboxes

Naturally ventilated asynchronous geared servo motors

| M ₂ [Nm] | n ₂ trans [rpm] | c | i | M ₂ max short-time on geared motor at | | | | M ₂ Gr gearbox c=1 n ₁ ≤ 1400 rpm [Nm] | n ₂ therm [rpm] | J _{GM} referred to motor shaft [kgm ²] | Servo helical- geared motor Dimensions on Page 3-99 |
|------------------------|-------------------------------|------------|---------------|---|-------------|----------------------------|-------------|--|-------------------------------|---|--|
| | | | | 8 kHz | | 16 kHz | | | | | |
| | | | | M ₂ max [Nm] | Type EVS | M ₂ max [Nm] | Type EVS | | | | |
| 78 | 743 | 3.9 | 3.350 | 254 | 9326 | 181 | 9326 | 367 | 601 | 1.88E-02 | GST07 - 2A □□□ 112C22 MDSKA□□ 112-22 85 |
| 98 | 589 | 3.3 | 4.225 | 320 | 9326 | 229 | 9326 | 398 | 477 | 1.88E-02 | GST07 - 2A □□□ 112C22 MDSKA□□ 112-22 85 |
| 108 | 536 | 3.2 | 4.643 | 351 | 9326 | 251 | 9326 | 414 | 434 | 1.87E-02 | GST07 - 2A □□□ 112C22 MDSKA□□ 112-22 85 |
| 122 | 479 | 2.9 | 5.200 | 394 | 9326 | 282 | 9326 | 427 | 387 | 1.86E-02 | GST07 - 2A □□□ 112C22 MDSKA□□ 112-22 85 |
| 134 | 436 | 2.8 | 5.714 | 432 | 9326 | 309 | 9326 | 448 | 352 | 1.85E-02 | GST07 - 2A □□□ 112C22 MDSKA□□ 112-22 85 |
| 150 | 389 | 2.6 | 6.400 | 484 | 9326 | 347 | 9326 | 463 | 315 | 1.84E-02 | GST07 - 2A □□□ 112C22 MDSKA□□ 112-22 85 |
| 168 | 348 | 2.4 | 7.150 | 541 | 9326 | 387 | 9326 | 489 | 282 | 1.86E-02 | GST07 - 2A □□□ 112C22 MDSKA□□ 112-22 85 |
| 191 | 306 | 2.3 | 8.125 | 615 | 9326 | 440 | 9326 | 539 | 248 | 1.86E-02 | GST07 - 2A □□□ 112C22 MDSKA□□ 112-22 85 |
| 208 | 283 | 2.1 | 8.800 | 666 | 9326 | 476 | 9326 | 527 | 229 | 1.85E-02 | GST07 - 2A □□□ 112C22 MDSKA□□ 112-22 85 |
| 233 | 253 | 2.0 | 9.856 | 746 | 9326 | 534 | 9326 | 549 | 204 | 1.84E-02 | GST07 - 2A □□□ 112C22 MDSKA□□ 112-22 85 |
| 265 | 222 | 1.9 | 11.200 | 848 | 9326 | 606 | 9326 | 598 | 180 | 1.84E-02 | GST07 - 2A □□□ 112C22 MDSKA□□ 112-22 85 |
| 48 | 1365 | 5.0 | 3.048 | 130 | 9326 | 111 | 9327 | 351 | 661 | 1.88E-02 | GST07 - 2A □□□ 112C22 MDSKA□□ 112-22 140 |
| 53 | 1242 | 4.7 | 3.350 | 143 | 9326 | 122 | 9327 | 367 | 601 | 1.88E-02 | GST07 - 2A □□□ 112C22 MDSKA□□ 112-22 140 |
| 67 | 985 | 4.1 | 4.225 | 180 | 9326 | 154 | 9327 | 398 | 477 | 1.88E-02 | GST07 - 2A □□□ 112C22 MDSKA□□ 112-22 140 |
| 74 | 896 | 3.8 | 4.643 | 198 | 9326 | 169 | 9327 | 414 | 434 | 1.87E-02 | GST07 - 2A □□□ 112C22 MDSKA□□ 112-22 140 |
| 84 | 800 | 3.5 | 5.200 | 222 | 9326 | 189 | 9327 | 427 | 387 | 1.86E-02 | GST07 - 2A □□□ 112C22 MDSKA□□ 112-22 140 |
| 92 | 728 | 3.4 | 5.714 | 243 | 9326 | 208 | 9327 | 448 | 352 | 1.85E-02 | GST07 - 2A □□□ 112C22 MDSKA□□ 112-22 140 |
| 103 | 650 | 3.1 | 6.400 | 273 | 9326 | 233 | 9327 | 463 | 315 | 1.84E-02 | GST07 - 2A □□□ 112C22 MDSKA□□ 112-22 140 |
| 116 | 582 | 2.9 | 7.150 | 305 | 9326 | 260 | 9327 | 489 | 282 | 1.86E-02 | GST07 - 2A □□□ 112C22 MDSKA□□ 112-22 140 |
| 131 | 512 | 2.9 | 8.125 | 346 | 9326 | 296 | 9327 | 539 | 248 | 1.86E-02 | GST07 - 2A □□□ 112C22 MDSKA□□ 112-22 140 |
| 143 | 473 | 2.6 | 8.800 | 375 | 9326 | 320 | 9327 | 527 | 229 | 1.85E-02 | GST07 - 2A □□□ 112C22 MDSKA□□ 112-22 140 |
| 160 | 422 | 2.4 | 9.856 | 420 | 9326 | 359 | 9327 | 549 | 204 | 1.84E-02 | GST07 - 2A □□□ 112C22 MDSKA□□ 112-22 140 |
| 182 | 371 | 2.3 | 11.200 | 477 | 9326 | 408 | 9327 | 598 | 180 | 1.84E-02 | GST07 - 2A □□□ 112C22 MDSKA□□ 112-22 140 |
| 119 | 61 | 5.2 | 65.079 | 277 | 9322 | 330 | 9323 | 707 | 61 | 2.71E-04 | GST07 - 3A □□□ 056C22 MDSKA□□ 056-22 140 |
| 129 | 56 | 4.8 | 70.156 | 298 | 9322 | 355 | 9323 | 706 | 56 | 2.83E-04 | GST07 - 3A □□□ 056C22 MDSKA□□ 056-22 140 |
| 147 | 50 | 4.2 | 79.762 | 339 | 9322 | 404 | 9323 | 710 | 50 | 2.94E-04 | GST07 - 3A □□□ 056C22 MDSKA□□ 056-22 140 |
| 159 | 46 | 3.9 | 85.983 | 366 | 9322 | 436 | 9323 | 706 | 46 | 2.80E-04 | GST07 - 3A □□□ 056C22 MDSKA□□ 056-22 140 |
| 182 | 40 | 3.5 | 97.708 | 416 | 9322 | 495 | 9323 | 710 | 40 | 2.80E-04 | GST07 - 3A □□□ 056C22 MDSKA□□ 056-22 140 |
| 209 | 35 | 3.0 | 111.915 | 476 | 9322 | 567 | 9323 | 706 | 35 | 2.64E-04 | GST07 - 3A □□□ 056C22 MDSKA□□ 056-22 140 |
| 239 | 31 | 2.7 | 127.176 | 541 | 9322 | 644 | 9323 | 710 | 31 | 2.64E-04 | GST07 - 3A □□□ 056C22 MDSKA□□ 056-22 140 |
| 262 | 28 | 2.4 | 139.211 | 592 | 9322 | 705 | 9323 | 706 | 28 | 2.57E-04 | GST07 - 3A □□□ 056C22 MDSKA□□ 056-22 140 |
| 299 | 25 | 2.1 | 158.194 | 673 | 9322 | 801 | 9323 | 710 | 25 | 2.57E-04 | GST07 - 3A □□□ 056C22 MDSKA□□ 056-22 140 |
| 341 | 22 | 1.9 | 180.156 | 766 | 9322 | 913 | 9323 | 706 | 22 | 2.51E-04 | GST07 - 3A □□□ 056C22 MDSKA□□ 056-22 140 |
| 389 | 19 | 1.7 | 204.722 | 871 | 9322 | 1037 | 9323 | 710 | 19 | 2.51E-04 | GST07 - 3A □□□ 056C22 MDSKA□□ 056-22 140 |

Observe the notes for thermal dimensioning.

Selection tables - Helical gearboxes

Naturally ventilated asynchronous geared servo motors



| M ₂ [Nm] | n _{2 trans} [rpm] | c | i | M _{2 max} short-time on geared motor at | | | | M _{2 Gr} gearbox c=1 n ₁ ≤ 1400 rpm [Nm] | n _{2 therm} [rpm] | J _{GM} referred to motor shaft [kgm ²] | Servo helical-geared motor Dimensions on Page 3-99 |
|------------------------|-------------------------------|-----|---------|--|-------------|----------------------------|-------------|---|-------------------------------|--|---|
| | | | | 8 kHz | | 16 kHz | | | | | |
| | | | | M _{2 max} [Nm] | Type EVS | M _{2 max} [Nm] | Type EVS | | | | |
| 450 | 17 | 1.4 | 236.622 | 1006 | 9322 | 1059 | 9323 | 706 | 17 | 2.50E-04 | GST07 - 3A □□□ 056C22 MDSKA□□ 056-22 140 |
| 473 | 16 | 1.4 | 248.458 | 1057 | 9322 | 1065 | 9323 | 710 | 16 | 2.48E-04 | GST07 - 3A □□□ 056C22 MDSKA□□ 056-22 140 |
| 513 | 15 | 1.3 | 268.889 | 1065 | 9322 | 1065 | 9323 | 710 | 15 | 2.50E-04 | GST07 - 3A □□□ 056C22 MDSKA□□ 056-22 140 |
| 623 | 12 | 1.0 | 326.333 | 1065 | 9322 | 1065 | 9323 | 710 | 12 | 2.47E-04 | GST07 - 3A □□□ 056C22 MDSKA□□ 056-22 140 |
| 146 | 103 | 3.8 | 39.200 | 472 | 9324 | 345 | 9324 | 692 | 103 | 9.27E-04 | GST07 - 3A □□□ 071C22 MDSKA□□ 071-22 140 |
| 163 | 92 | 3.8 | 44.000 | 530 | 9324 | 387 | 9324 | 706 | 92 | 8.83E-04 | GST07 - 3A □□□ 071C22 MDSKA□□ 071-22 140 |
| 190 | 79 | 3.2 | 51.022 | 614 | 9324 | 449 | 9324 | 700 | 79 | 9.14E-04 | GST07 - 3A □□□ 071C22 MDSKA□□ 071-22 140 |
| 202 | 75 | 3.1 | 53.900 | 649 | 9324 | 474 | 9324 | 706 | 75 | 8.78E-04 | GST07 - 3A □□□ 071C22 MDSKA□□ 071-22 140 |
| 245 | 62 | 2.6 | 65.079 | 784 | 9324 | 572 | 9324 | 707 | 62 | 8.61E-04 | GST07 - 3A □□□ 071C22 MDSKA□□ 071-22 140 |
| 264 | 58 | 2.4 | 70.156 | 845 | 9324 | 617 | 9324 | 706 | 58 | 8.73E-04 | GST07 - 3A □□□ 071C22 MDSKA□□ 071-22 140 |
| 301 | 51 | 2.1 | 79.762 | 961 | 9324 | 701 | 9324 | 710 | 51 | 8.84E-04 | GST07 - 3A □□□ 071C22 MDSKA□□ 071-22 140 |
| 325 | 47 | 1.9 | 85.983 | 1035 | 9324 | 756 | 9324 | 706 | 47 | 8.70E-04 | GST07 - 3A □□□ 071C22 MDSKA□□ 071-22 140 |
| 371 | 41 | 1.7 | 97.708 | 1065 | 9324 | 859 | 9324 | 710 | 41 | 8.70E-04 | GST07 - 3A □□□ 071C22 MDSKA□□ 071-22 140 |
| 426 | 36 | 1.5 | 111.915 | 1059 | 9324 | 984 | 9324 | 706 | 36 | 8.54E-04 | GST07 - 3A □□□ 071C22 MDSKA□□ 071-22 140 |
| 485 | 32 | 1.3 | 127.176 | 1065 | 9324 | 1065 | 9324 | 710 | 32 | 8.54E-04 | GST07 - 3A □□□ 071C22 MDSKA□□ 071-22 140 |
| 531 | 29 | 1.2 | 139.211 | 1059 | 9324 | 1059 | 9324 | 706 | 29 | 8.47E-04 | GST07 - 3A □□□ 071C22 MDSKA□□ 071-22 140 |
| 604 | 26 | 1.1 | 158.194 | 1065 | 9324 | 1065 | 9324 | 710 | 26 | 8.47E-04 | GST07 - 3A □□□ 071C22 MDSKA□□ 071-22 140 |
| 246 | 51 | 2.8 | 39.200 | 566 | 9323 | 794 | 9324 | 692 | 51 | 2.02E-03 | GST07 - 3A □□□ 080C22 MDSKA□□ 080-22 70 |
| 277 | 45 | 2.5 | 44.000 | 635 | 9323 | 892 | 9324 | 706 | 45 | 1.97E-03 | GST07 - 3A □□□ 080C22 MDSKA□□ 080-22 70 |
| 323 | 39 | 2.1 | 51.022 | 736 | 9323 | 1034 | 9324 | 700 | 39 | 2.00E-03 | GST07 - 3A □□□ 080C22 MDSKA□□ 080-22 70 |
| 341 | 37 | 2.0 | 53.900 | 778 | 9323 | 1059 | 9324 | 706 | 37 | 1.97E-03 | GST07 - 3A □□□ 080C22 MDSKA□□ 080-22 70 |
| 447 | 29 | 1.6 | 70.156 | 1012 | 9323 | 1059 | 9324 | 706 | 29 | 1.96E-03 | GST07 - 3A □□□ 080C22 MDSKA□□ 080-22 70 |
| 509 | 25 | 1.4 | 79.762 | 1065 | 9323 | 1065 | 9324 | 710 | 25 | 1.97E-03 | GST07 - 3A □□□ 080C22 MDSKA□□ 080-22 70 |
| 549 | 23 | 1.3 | 85.983 | 1059 | 9323 | 1059 | 9324 | 706 | 23 | 1.96E-03 | GST07 - 3A □□□ 080C22 MDSKA□□ 080-22 70 |
| 625 | 20 | 1.1 | 97.708 | 1065 | 9323 | 1065 | 9324 | 710 | 20 | 1.96E-03 | GST07 - 3A □□□ 080C22 MDSKA□□ 080-22 70 |
| 199 | 105 | 2.8 | 39.200 | 495 | 9324 | 716 | 9325 | 692 | 92 | 2.02E-03 | GST07 - 3A □□□ 080C22 MDSKA□□ 080-22 140 |
| 223 | 93 | 2.8 | 44.000 | 555 | 9324 | 803 | 9325 | 706 | 82 | 1.97E-03 | GST07 - 3A □□□ 080C22 MDSKA□□ 080-22 140 |
| 259 | 80 | 2.4 | 51.022 | 644 | 9324 | 931 | 9325 | 700 | 70 | 2.00E-03 | GST07 - 3A □□□ 080C22 MDSKA□□ 080-22 140 |
| 274 | 76 | 2.3 | 53.900 | 680 | 9324 | 984 | 9325 | 706 | 67 | 1.97E-03 | GST07 - 3A □□□ 080C22 MDSKA□□ 080-22 140 |
| 359 | 58 | 1.8 | 70.156 | 885 | 9324 | 1059 | 9325 | 706 | 51 | 1.96E-03 | GST07 - 3A □□□ 080C22 MDSKA□□ 080-22 140 |
| 409 | 51 | 1.6 | 79.762 | 1006 | 9324 | 1065 | 9325 | 710 | 45 | 1.97E-03 | GST07 - 3A □□□ 080C22 MDSKA□□ 080-22 140 |
| 442 | 48 | 1.4 | 85.983 | 1059 | 9324 | 1059 | 9325 | 706 | 42 | 1.96E-03 | GST07 - 3A □□□ 080C22 MDSKA□□ 080-22 140 |
| 503 | 42 | 1.3 | 97.708 | 1065 | 9324 | 1065 | 9325 | 710 | 37 | 1.96E-03 | GST07 - 3A □□□ 080C22 MDSKA□□ 080-22 140 |
| 46 | 273 | 5.0 | 7.333 | 109 | 9323 | 153 | 9324 | 265 | 273 | 2.15E-03 | GST09 - 1A □□□ 080C22 MDSKA□□ 080-22 70 |

Observe the notes for thermal dimensioning.

Selection tables - Helical gearboxes

Naturally ventilated asynchronous geared servo motors

| M ₂ [Nm] | n ₂ trans [rpm] | c | i | M ₂ max short-time on geared motor at | | | | M ₂ Gr gearbox c=1 n ₁ ≤ 1400 rpm [Nm] | n ₂ therm [rpm] | J _{GM} referred to motor shaft [kgm ²] | Servo helical- geared motor Dimensions on Page 3-99 |
|------------------------|-------------------------------|------------|---------------|---|-------------|----------------------------|-------------|--|-------------------------------|---|--|
| | | | | 8 kHz | | 16 kHz | | | | | |
| | | | | M ₂ max [Nm] | Type EVS | M ₂ max [Nm] | Type EVS | | | | |
| 57 | 225 | 4.2 | 8.900 | 132 | 9323 | 186 | 9324 | 269 | 225 | 2.09E-03 | GST09 - 1A □□□ 080C22 MDSKA□□ 080-22 70 |
| 72 | 178 | 3.3 | 11.250 | 167 | 9323 | 235 | 9324 | 273 | 178 | 2.03E-03 | GST09 - 1A □□□ 080C22 MDSKA□□ 080-22 70 |
| 37 | 559 | 4.9 | 7.333 | 95 | 9324 | 138 | 9325 | 265 | 490 | 2.15E-03 | GST09 - 1A □□□ 080C22 MDSKA□□ 080-22 140 |
| 46 | 461 | 4.1 | 8.900 | 116 | 9324 | 167 | 9325 | 269 | 403 | 2.09E-03 | GST09 - 1A □□□ 080C22 MDSKA□□ 080-22 140 |
| 58 | 364 | 3.3 | 11.250 | 146 | 9324 | 212 | 9325 | 273 | 319 | 2.03E-03 | GST09 - 1A □□□ 080C22 MDSKA□□ 080-22 140 |
| 48 | 493 | 5.0 | 4.667 | 112 | 9324 | 159 | 9325 | 289 | 493 | 4.06E-03 | GST09 - 1A □□□ 090C22 MDSKA□□ 090-22 80 |
| 58 | 406 | 4.3 | 5.667 | 136 | 9324 | 193 | 9325 | 299 | 406 | 3.95E-03 | GST09 - 1A □□□ 090C22 MDSKA□□ 090-22 80 |
| 76 | 314 | 3.4 | 7.333 | 176 | 9324 | 249 | 9325 | 310 | 314 | 3.83E-03 | GST09 - 1A □□□ 090C22 MDSKA□□ 090-22 80 |
| 93 | 258 | 2.9 | 8.900 | 214 | 9324 | 302 | 9325 | 315 | 258 | 3.77E-03 | GST09 - 1A □□□ 090C22 MDSKA□□ 090-22 80 |
| 42 | 881 | 4.7 | 4.667 | 108 | 9325 | 129 | 9326 | 289 | 667 | 4.06E-03 | GST09 - 1A □□□ 090C22 MDSKA□□ 090-22 140 |
| 51 | 725 | 4.0 | 5.667 | 131 | 9325 | 156 | 9326 | 299 | 549 | 3.95E-03 | GST09 - 1A □□□ 090C22 MDSKA□□ 090-22 140 |
| 67 | 560 | 3.2 | 7.333 | 169 | 9325 | 202 | 9326 | 310 | 424 | 3.83E-03 | GST09 - 1A □□□ 090C22 MDSKA□□ 090-22 140 |
| 82 | 462 | 2.7 | 8.900 | 205 | 9325 | 246 | 9326 | 315 | 350 | 3.77E-03 | GST09 - 1A □□□ 090C22 MDSKA□□ 090-22 140 |
| 72 | 501 | 4.4 | 4.667 | 217 | 9325 | 155 | 9325 | 379 | 501 | 7.66E-03 | GST09 - 1A □□□ 100C22 MDSKA□□ 100-22 80 |
| 88 | 413 | 4.4 | 5.667 | 264 | 9325 | 189 | 9325 | 465 | 413 | 7.55E-03 | GST09 - 1A □□□ 100C22 MDSKA□□ 100-22 80 |
| 53 | 889 | 4.9 | 4.667 | 199 | 9326 | 119 | 9326 | 379 | 525 | 7.66E-03 | GST09 - 1A □□□ 100C22 MDSKA□□ 100-22 140 |
| 64 | 732 | 4.9 | 5.667 | 242 | 9326 | 144 | 9326 | 465 | 432 | 7.55E-03 | GST09 - 1A □□□ 100C22 MDSKA□□ 100-22 140 |
| 47 | 1216 | 5.8 | 2.048 | 157 | 9326 | 113 | 9326 | 338 | 983 | 1.96E-02 | GST09 - 1A □□□ 112C22 MDSKA□□ 112-22 85 |
| 54 | 1067 | 5.5 | 2.333 | 179 | 9326 | 128 | 9326 | 370 | 863 | 1.92E-02 | GST09 - 1A □□□ 112C22 MDSKA□□ 112-22 85 |
| 65 | 886 | 5.2 | 2.810 | 216 | 9326 | 154 | 9326 | 418 | 717 | 1.90E-02 | GST09 - 1A □□□ 112C22 MDSKA□□ 112-22 85 |
| 81 | 723 | 4.5 | 3.444 | 265 | 9326 | 189 | 9326 | 443 | 585 | 1.87E-02 | GST09 - 1A □□□ 112C22 MDSKA□□ 112-22 85 |
| 55 | 1208 | 5.5 | 3.444 | 149 | 9326 | 127 | 9327 | 443 | 585 | 1.87E-02 | GST09 - 1A □□□ 112C22 MDSKA□□ 112-22 140 |
| 200 | 62 | 5.5 | 32.267 | 473 | 9323 | 664 | 9324 | 1147 | 62 | 2.15E-03 | GST09 - 2A □□□ 080C22 MDSKA□□ 080-22 70 |
| 227 | 55 | 5.5 | 36.667 | 537 | 9323 | 754 | 9324 | 1304 | 55 | 2.14E-03 | GST09 - 2A □□□ 080C22 MDSKA□□ 080-22 70 |
| 245 | 51 | 4.6 | 39.160 | 574 | 9323 | 806 | 9324 | 1166 | 51 | 2.08E-03 | GST09 - 2A □□□ 080C22 MDSKA□□ 080-22 70 |
| 279 | 45 | 4.6 | 44.500 | 652 | 9323 | 915 | 9324 | 1324 | 45 | 2.08E-03 | GST09 - 2A □□□ 080C22 MDSKA□□ 080-22 70 |
| 313 | 40 | 3.7 | 49.500 | 725 | 9323 | 1018 | 9324 | 1184 | 40 | 2.03E-03 | GST09 - 2A □□□ 080C22 MDSKA□□ 080-22 70 |
| 356 | 36 | 3.7 | 56.250 | 824 | 9323 | 1157 | 9324 | 1345 | 36 | 2.03E-03 | GST09 - 2A □□□ 080C22 MDSKA□□ 080-22 70 |
| 161 | 127 | 5.5 | 32.267 | 413 | 9324 | 598 | 9325 | 1147 | 111 | 2.15E-03 | GST09 - 2A □□□ 080C22 MDSKA□□ 080-22 140 |
| 183 | 112 | 5.5 | 36.667 | 470 | 9324 | 680 | 9325 | 1304 | 98 | 2.14E-03 | GST09 - 2A □□□ 080C22 MDSKA□□ 080-22 140 |
| 198 | 105 | 4.6 | 39.160 | 502 | 9324 | 726 | 9325 | 1166 | 92 | 2.08E-03 | GST09 - 2A □□□ 080C22 MDSKA□□ 080-22 140 |
| 223 | 92 | 5.1 | 44.500 | 570 | 9324 | 825 | 9325 | 1324 | 81 | 2.08E-03 | GST09 - 2A □□□ 080C22 MDSKA□□ 080-22 140 |
| 251 | 83 | 4.1 | 49.500 | 634 | 9324 | 917 | 9325 | 1184 | 73 | 2.03E-03 | GST09 - 2A □□□ 080C22 MDSKA□□ 080-22 140 |
| 285 | 73 | 4.1 | 56.250 | 720 | 9324 | 1042 | 9325 | 1345 | 64 | 2.03E-03 | GST09 - 2A □□□ 080C22 MDSKA□□ 080-22 140 |

Observe the notes for thermal dimensioning.

Selection tables - Helical gearboxes

Naturally ventilated asynchronous geared servo motors



| M ₂ [Nm] | n _{2 trans} [rpm] | c | i | M _{2 max} short-time on geared motor at | | | | M _{2 Gr} gearbox c=1 n ₁ ≤ 1400 rpm [Nm] | n _{2 therm} [rpm] | J _{GM} referred to motor shaft [kgm ²] | Servo helical-geared motor Dimensions on Page 3-99 |
|------------------------|-------------------------------|-----|--------|--|-------------|----------------------------|-------------|---|-------------------------------|--|---|
| | | | | 8 kHz | | 16 kHz | | | | | |
| | | | | M _{2 max} [Nm] | Type EVS | M _{2 max} [Nm] | Type EVS | | | | |
| 205 | 112 | 5.7 | 20.533 | 486 | 9324 | 687 | 9325 | 1251 | 112 | 4.05E-03 | GST09 - 2A □□□ 090C22 MDSKA□□ 090-22 80 |
| 233 | 99 | 5.7 | 23.333 | 552 | 9324 | 781 | 9325 | 1421 | 99 | 4.04E-03 | GST09 - 2A □□□ 090C22 MDSKA□□ 090-22 80 |
| 251 | 92 | 4.9 | 24.933 | 590 | 9324 | 835 | 9325 | 1296 | 92 | 3.94E-03 | GST09 - 2A □□□ 090C22 MDSKA□□ 090-22 80 |
| 285 | 81 | 4.9 | 28.333 | 671 | 9324 | 948 | 9325 | 1472 | 81 | 3.93E-03 | GST09 - 2A □□□ 090C22 MDSKA□□ 090-22 80 |
| 328 | 71 | 3.9 | 32.267 | 764 | 9324 | 1080 | 9325 | 1343 | 71 | 3.83E-03 | GST09 - 2A □□□ 090C22 MDSKA□□ 090-22 80 |
| 373 | 63 | 3.9 | 36.667 | 868 | 9324 | 1227 | 9325 | 1526 | 63 | 3.82E-03 | GST09 - 2A □□□ 090C22 MDSKA□□ 090-22 80 |
| 401 | 59 | 3.3 | 39.160 | 927 | 9324 | 1311 | 9325 | 1364 | 59 | 3.76E-03 | GST09 - 2A □□□ 090C22 MDSKA□□ 090-22 80 |
| 455 | 52 | 3.3 | 44.500 | 1054 | 9324 | 1490 | 9325 | 1546 | 52 | 3.76E-03 | GST09 - 2A □□□ 090C22 MDSKA□□ 090-22 80 |
| 181 | 200 | 5.4 | 20.533 | 466 | 9325 | 558 | 9326 | 1251 | 152 | 4.05E-03 | GST09 - 2A □□□ 090C22 MDSKA□□ 090-22 140 |
| 205 | 176 | 5.4 | 23.333 | 530 | 9325 | 634 | 9326 | 1421 | 133 | 4.04E-03 | GST09 - 2A □□□ 090C22 MDSKA□□ 090-22 140 |
| 221 | 165 | 4.6 | 24.933 | 566 | 9325 | 677 | 9326 | 1296 | 125 | 3.94E-03 | GST09 - 2A □□□ 090C22 MDSKA□□ 090-22 140 |
| 252 | 145 | 4.6 | 28.333 | 643 | 9325 | 770 | 9326 | 1472 | 110 | 3.93E-03 | GST09 - 2A □□□ 090C22 MDSKA□□ 090-22 140 |
| 289 | 127 | 3.7 | 32.267 | 733 | 9325 | 877 | 9326 | 1343 | 96 | 3.83E-03 | GST09 - 2A □□□ 090C22 MDSKA□□ 090-22 140 |
| 329 | 112 | 3.7 | 36.667 | 833 | 9325 | 996 | 9326 | 1526 | 85 | 3.82E-03 | GST09 - 2A □□□ 090C22 MDSKA□□ 090-22 140 |
| 353 | 105 | 3.1 | 39.160 | 889 | 9325 | 1064 | 9326 | 1364 | 79 | 3.76E-03 | GST09 - 2A □□□ 090C22 MDSKA□□ 090-22 140 |
| 400 | 92 | 3.4 | 44.500 | 1010 | 9325 | 1209 | 9326 | 1546 | 70 | 3.76E-03 | GST09 - 2A □□□ 090C22 MDSKA□□ 090-22 140 |
| 176 | 201 | 5.6 | 11.667 | 534 | 9325 | 383 | 9325 | 1206 | 201 | 8.41E-03 | GST09 - 2A □□□ 100C22 MDSKA□□ 100-22 80 |
| 186 | 189 | 5.5 | 12.362 | 566 | 9325 | 405 | 9325 | 1253 | 189 | 8.18E-03 | GST09 - 2A □□□ 100C22 MDSKA□□ 100-22 80 |
| 213 | 167 | 5.0 | 14.048 | 643 | 9325 | 461 | 9325 | 1283 | 167 | 8.15E-03 | GST09 - 2A □□□ 100C22 MDSKA□□ 100-22 80 |
| 229 | 154 | 5.5 | 15.156 | 694 | 9325 | 497 | 9325 | 1340 | 154 | 7.97E-03 | GST09 - 2A □□□ 100C22 MDSKA□□ 100-22 80 |
| 261 | 136 | 4.9 | 17.222 | 789 | 9325 | 565 | 9325 | 1373 | 136 | 7.95E-03 | GST09 - 2A □□□ 100C22 MDSKA□□ 100-22 80 |
| 313 | 114 | 4.5 | 20.533 | 940 | 9325 | 673 | 9325 | 1484 | 114 | 7.65E-03 | GST09 - 2A □□□ 100C22 MDSKA□□ 100-22 80 |
| 358 | 100 | 4.0 | 23.333 | 1069 | 9325 | 765 | 9325 | 1508 | 100 | 7.64E-03 | GST09 - 2A □□□ 100C22 MDSKA□□ 100-22 80 |
| 382 | 94 | 3.9 | 24.933 | 1142 | 9325 | 818 | 9325 | 1582 | 94 | 7.54E-03 | GST09 - 2A □□□ 100C22 MDSKA□□ 100-22 80 |
| 437 | 83 | 3.3 | 28.333 | 1298 | 9325 | 929 | 9325 | 1519 | 83 | 7.53E-03 | GST09 - 2A □□□ 100C22 MDSKA□□ 100-22 80 |
| 156 | 295 | 5.6 | 14.048 | 590 | 9326 | 352 | 9326 | 1283 | 174 | 8.15E-03 | GST09 - 2A □□□ 100C22 MDSKA□□ 100-22 140 |
| 191 | 241 | 5.5 | 17.222 | 724 | 9326 | 431 | 9326 | 1373 | 142 | 7.95E-03 | GST09 - 2A □□□ 100C22 MDSKA□□ 100-22 140 |
| 229 | 202 | 5.0 | 20.533 | 863 | 9326 | 514 | 9326 | 1484 | 119 | 7.65E-03 | GST09 - 2A □□□ 100C22 MDSKA□□ 100-22 140 |
| 262 | 178 | 4.5 | 23.333 | 980 | 9326 | 584 | 9326 | 1508 | 105 | 7.64E-03 | GST09 - 2A □□□ 100C22 MDSKA□□ 100-22 140 |
| 280 | 166 | 4.4 | 24.933 | 1048 | 9326 | 624 | 9326 | 1582 | 98 | 7.54E-03 | GST09 - 2A □□□ 100C22 MDSKA□□ 100-22 140 |
| 321 | 146 | 3.7 | 28.333 | 1190 | 9326 | 709 | 9326 | 1519 | 86 | 7.53E-03 | GST09 - 2A □□□ 100C22 MDSKA□□ 100-22 140 |
| 151 | 374 | 5.7 | 6.667 | 505 | 9326 | 361 | 9326 | 1065 | 302 | 1.94E-02 | GST09 - 2A □□□ 112C22 MDSKA□□ 112-22 85 |
| 167 | 341 | 5.3 | 7.305 | 553 | 9326 | 396 | 9326 | 1103 | 276 | 1.91E-02 | GST09 - 2A □□□ 112C22 MDSKA□□ 112-22 85 |
| 184 | 310 | 5.0 | 8.027 | 608 | 9326 | 435 | 9326 | 1133 | 251 | 1.91E-02 | GST09 - 2A □□□ 112C22 MDSKA□□ 112-22 85 |

Observe the notes for thermal dimensioning.

Selection tables - Helical gearboxes

Naturally ventilated asynchronous geared servo motors

| M ₂ [Nm] | n ₂ trans [rpm] | c | i | M ₂ max short-time on geared motor at | | | | M ₂ Gr gearbox c=1 n ₁ ≤ 1400 rpm [Nm] | n ₂ therm [rpm] | J _{GM} referred to motor shaft [kgm ²] | Servo helical- geared motor Dimensions on Page 3-99 |
|------------------------|-------------------------------|------------|----------------|---|-------------|----------------------------|-------------|--|-------------------------------|---|--|
| | | | | 8 kHz | | 16 kHz | | | | | |
| | | | | M ₂ max [Nm] | Type EVS | M ₂ max [Nm] | Type EVS | | | | |
| 207 | 276 | 4.4 | 9.010 | 682 | 9326 | 488 | 9326 | 1128 | 223 | 1.95E-02 | GST09 - 2A □□□ 112C22 MDSKA□□ 112-22 85 |
| 237 | 243 | 4.1 | 10.267 | 777 | 9326 | 556 | 9326 | 1178 | 196 | 1.92E-02 | GST09 - 2A □□□ 112C22 MDSKA□□ 112-22 85 |
| 271 | 213 | 3.7 | 11.667 | 883 | 9326 | 632 | 9326 | 1206 | 173 | 1.92E-02 | GST09 - 2A □□□ 112C22 MDSKA□□ 112-22 85 |
| 287 | 201 | 3.6 | 12.362 | 936 | 9326 | 669 | 9326 | 1253 | 163 | 1.90E-02 | GST09 - 2A □□□ 112C22 MDSKA□□ 112-22 85 |
| 328 | 177 | 3.2 | 14.048 | 1063 | 9326 | 761 | 9326 | 1283 | 143 | 1.90E-02 | GST09 - 2A □□□ 112C22 MDSKA□□ 112-22 85 |
| 352 | 164 | 3.6 | 15.156 | 1147 | 9326 | 821 | 9326 | 1340 | 133 | 1.88E-02 | GST09 - 2A □□□ 112C22 MDSKA□□ 112-22 85 |
| 402 | 145 | 3.2 | 17.222 | 1303 | 9326 | 932 | 9326 | 1373 | 117 | 1.87E-02 | GST09 - 2A □□□ 112C22 MDSKA□□ 112-22 85 |
| 142 | 462 | 5.4 | 9.010 | 384 | 9326 | 328 | 9327 | 1128 | 223 | 1.95E-02 | GST09 - 2A □□□ 112C22 MDSKA□□ 112-22 140 |
| 162 | 405 | 5.0 | 10.267 | 437 | 9326 | 374 | 9327 | 1178 | 196 | 1.92E-02 | GST09 - 2A □□□ 112C22 MDSKA□□ 112-22 140 |
| 186 | 357 | 4.5 | 11.667 | 497 | 9326 | 425 | 9327 | 1206 | 173 | 1.92E-02 | GST09 - 2A □□□ 112C22 MDSKA□□ 112-22 140 |
| 197 | 337 | 4.4 | 12.362 | 527 | 9326 | 450 | 9327 | 1253 | 163 | 1.90E-02 | GST09 - 2A □□□ 112C22 MDSKA□□ 112-22 140 |
| 225 | 296 | 3.9 | 14.048 | 598 | 9326 | 511 | 9327 | 1283 | 143 | 1.90E-02 | GST09 - 2A □□□ 112C22 MDSKA□□ 112-22 140 |
| 241 | 274 | 4.3 | 15.156 | 646 | 9326 | 551 | 9327 | 1340 | 133 | 1.88E-02 | GST09 - 2A □□□ 112C22 MDSKA□□ 112-22 140 |
| 276 | 242 | 3.9 | 17.222 | 734 | 9326 | 627 | 9327 | 1373 | 117 | 1.87E-02 | GST09 - 2A □□□ 112C22 MDSKA□□ 112-22 140 |
| 234 | 31 | 6.0 | 129.074 | 549 | 9322 | 654 | 9323 | 1612 | 31 | 3.05E-04 | GST09 - 3A □□□ 056C22 MDSKA□□ 056-22 140 |
| 257 | 28 | 5.5 | 141.289 | 601 | 9322 | 716 | 9323 | 1613 | 28 | 2.86E-04 | GST09 - 3A □□□ 056C22 MDSKA□□ 056-22 140 |
| 295 | 25 | 4.8 | 160.556 | 683 | 9322 | 813 | 9323 | 1623 | 25 | 2.86E-04 | GST09 - 3A □□□ 056C22 MDSKA□□ 056-22 140 |
| 338 | 22 | 4.2 | 182.844 | 778 | 9322 | 926 | 9323 | 1613 | 22 | 2.70E-04 | GST09 - 3A □□□ 056C22 MDSKA□□ 056-22 140 |
| 386 | 19 | 3.7 | 207.778 | 884 | 9322 | 1052 | 9323 | 1623 | 19 | 2.70E-04 | GST09 - 3A □□□ 056C22 MDSKA□□ 056-22 140 |
| 442 | 17 | 3.3 | 236.622 | 1006 | 9322 | 1199 | 9323 | 1613 | 17 | 2.68E-04 | GST09 - 3A □□□ 056C22 MDSKA□□ 056-22 140 |
| 472 | 16 | 3.1 | 252.167 | 1072 | 9322 | 1277 | 9323 | 1623 | 16 | 2.61E-04 | GST09 - 3A □□□ 056C22 MDSKA□□ 056-22 140 |
| 504 | 15 | 2.9 | 268.889 | 1144 | 9322 | 1362 | 9323 | 1623 | 15 | 2.68E-04 | GST09 - 3A □□□ 056C22 MDSKA□□ 056-22 140 |
| 615 | 12 | 2.4 | 326.333 | 1388 | 9322 | 1653 | 9323 | 1623 | 12 | 2.60E-04 | GST09 - 3A □□□ 056C22 MDSKA□□ 056-22 140 |
| 686 | 11 | 2.1 | 363.000 | 1544 | 9322 | 1839 | 9323 | 1613 | 11 | 2.66E-04 | GST09 - 3A □□□ 056C22 MDSKA□□ 056-22 140 |
| 781 | 9.6 | 1.9 | 412.500 | 1754 | 9322 | 2089 | 9323 | 1623 | 9.6 | 2.58E-04 | GST09 - 3A □□□ 056C22 MDSKA□□ 056-22 140 |
| 264 | 56 | 4.9 | 71.867 | 865 | 9324 | 632 | 9324 | 1477 | 56 | 9.47E-04 | GST09 - 3A □□□ 071C22 MDSKA□□ 071-22 140 |
| 300 | 50 | 4.6 | 81.667 | 983 | 9324 | 718 | 9324 | 1584 | 50 | 9.46E-04 | GST09 - 3A □□□ 071C22 MDSKA□□ 071-22 140 |
| 346 | 43 | 4.1 | 93.541 | 1126 | 9324 | 822 | 9324 | 1613 | 43 | 9.01E-04 | GST09 - 3A □□□ 071C22 MDSKA□□ 071-22 140 |
| 368 | 41 | 3.8 | 99.167 | 1194 | 9324 | 872 | 9324 | 1596 | 41 | 9.37E-04 | GST09 - 3A □□□ 071C22 MDSKA□□ 071-22 140 |
| 423 | 36 | 3.4 | 113.585 | 1368 | 9324 | 999 | 9324 | 1613 | 36 | 8.95E-04 | GST09 - 3A □□□ 071C22 MDSKA□□ 071-22 140 |
| 483 | 31 | 3.0 | 129.074 | 1554 | 9324 | 1135 | 9324 | 1612 | 31 | 8.95E-04 | GST09 - 3A □□□ 071C22 MDSKA□□ 071-22 140 |
| 530 | 29 | 2.7 | 141.289 | 1701 | 9324 | 1242 | 9324 | 1613 | 29 | 8.76E-04 | GST09 - 3A □□□ 071C22 MDSKA□□ 071-22 140 |
| 605 | 25 | 2.4 | 160.556 | 1933 | 9324 | 1412 | 9324 | 1623 | 25 | 8.76E-04 | GST09 - 3A □□□ 071C22 MDSKA□□ 071-22 140 |
| 691 | 22 | 2.1 | 182.844 | 2202 | 9324 | 1608 | 9324 | 1613 | 22 | 8.60E-04 | GST09 - 3A □□□ 071C22 MDSKA□□ 071-22 140 |

Observe the notes for thermal dimensioning.

Selection tables - Helical gearboxes

Naturally ventilated asynchronous geared servo motors



| M ₂ [Nm] | n _{2 trans} [rpm] | c | i | M _{2 max} short-time on geared motor at | | | | M _{2 Gr} gearbox c=1 n ₁ ≤ 1400 rpm [Nm] | n _{2 therm} [rpm] | J _{GM} referred to motor shaft [kgm ²] | Servo helical-geared motor Dimensions on Page 3-99 |
|------------------------|-------------------------------|-----|---------|--|-------------|----------------------------|-------------|---|-------------------------------|--|---|
| | | | | 8 kHz | | 16 kHz | | | | | |
| | | | | M _{2 max} [Nm] | Type EVS | M _{2 max} [Nm] | Type EVS | | | | |
| 787 | 19 | 1.8 | 207.778 | 2435 | 9324 | 1827 | 9324 | 1623 | 19 | 8.60E-04 | GST09 - 3A □□□ 071C22 MDSKA□□ 071-22 140 |
| 899 | 17 | 1.6 | 236.622 | 2420 | 9324 | 2080 | 9324 | 1613 | 17 | 8.58E-04 | GST09 - 3A □□□ 071C22 MDSKA□□ 071-22 140 |
| 959 | 16 | 1.5 | 252.167 | 2435 | 9324 | 2217 | 9324 | 1623 | 16 | 8.51E-04 | GST09 - 3A □□□ 071C22 MDSKA□□ 071-22 140 |
| 1023 | 15 | 1.4 | 268.889 | 2435 | 9324 | 2364 | 9324 | 1623 | 15 | 8.58E-04 | GST09 - 3A □□□ 071C22 MDSKA□□ 071-22 140 |
| 1245 | 12 | 1.2 | 326.333 | 2435 | 9324 | 2435 | 9324 | 1623 | 12 | 8.50E-04 | GST09 - 3A □□□ 071C22 MDSKA□□ 071-22 140 |
| 246 | 50 | 5.2 | 40.136 | 579 | 9323 | 813 | 9324 | 1344 | 50 | 2.13E-03 | GST09 - 3A □□□ 080C22 MDSKA□□ 080-22 70 |
| 266 | 46 | 4.7 | 43.267 | 624 | 9323 | 877 | 9324 | 1290 | 46 | 2.08E-03 | GST09 - 3A □□□ 080C22 MDSKA□□ 080-22 70 |
| 303 | 41 | 4.7 | 49.167 | 710 | 9323 | 996 | 9324 | 1466 | 41 | 2.07E-03 | GST09 - 3A □□□ 080C22 MDSKA□□ 080-22 70 |
| 329 | 38 | 4.1 | 53.044 | 766 | 9323 | 1075 | 9324 | 1379 | 38 | 2.06E-03 | GST09 - 3A □□□ 080C22 MDSKA□□ 080-22 70 |
| 374 | 33 | 4.1 | 60.278 | 870 | 9323 | 1221 | 9324 | 1565 | 33 | 2.06E-03 | GST09 - 3A □□□ 080C22 MDSKA□□ 080-22 70 |
| 450 | 28 | 3.2 | 71.867 | 1037 | 9323 | 1456 | 9324 | 1477 | 28 | 2.04E-03 | GST09 - 3A □□□ 080C22 MDSKA□□ 080-22 70 |
| 512 | 24 | 3.0 | 81.667 | 1179 | 9323 | 1655 | 9324 | 1584 | 24 | 2.04E-03 | GST09 - 3A □□□ 080C22 MDSKA□□ 080-22 70 |
| 588 | 21 | 2.7 | 93.541 | 1350 | 9323 | 1895 | 9324 | 1613 | 21 | 1.99E-03 | GST09 - 3A □□□ 080C22 MDSKA□□ 080-22 70 |
| 625 | 20 | 2.5 | 99.167 | 1431 | 9323 | 2009 | 9324 | 1596 | 20 | 2.03E-03 | GST09 - 3A □□□ 080C22 MDSKA□□ 080-22 70 |
| 718 | 18 | 2.2 | 113.585 | 1639 | 9323 | 2301 | 9324 | 1613 | 18 | 1.99E-03 | GST09 - 3A □□□ 080C22 MDSKA□□ 080-22 70 |
| 818 | 15 | 2.0 | 129.074 | 1863 | 9323 | 2418 | 9324 | 1612 | 15 | 1.98E-03 | GST09 - 3A □□□ 080C22 MDSKA□□ 080-22 70 |
| 897 | 14 | 1.8 | 141.289 | 2039 | 9323 | 2420 | 9324 | 1613 | 14 | 1.97E-03 | GST09 - 3A □□□ 080C22 MDSKA□□ 080-22 70 |
| 1022 | 12 | 1.6 | 160.556 | 2317 | 9323 | 2435 | 9324 | 1623 | 12 | 1.97E-03 | GST09 - 3A □□□ 080C22 MDSKA□□ 080-22 70 |
| 198 | 102 | 5.3 | 40.136 | 506 | 9324 | 733 | 9325 | 1344 | 89 | 2.13E-03 | GST09 - 3A □□□ 080C22 MDSKA□□ 080-22 140 |
| 213 | 95 | 5.2 | 43.267 | 546 | 9324 | 790 | 9325 | 1290 | 83 | 2.08E-03 | GST09 - 3A □□□ 080C22 MDSKA□□ 080-22 140 |
| 243 | 83 | 5.2 | 49.167 | 620 | 9324 | 898 | 9325 | 1466 | 73 | 2.07E-03 | GST09 - 3A □□□ 080C22 MDSKA□□ 080-22 140 |
| 264 | 77 | 4.5 | 53.044 | 669 | 9324 | 968 | 9325 | 1379 | 68 | 2.06E-03 | GST09 - 3A □□□ 080C22 MDSKA□□ 080-22 140 |
| 300 | 68 | 4.5 | 60.278 | 760 | 9324 | 1100 | 9325 | 1565 | 60 | 2.06E-03 | GST09 - 3A □□□ 080C22 MDSKA□□ 080-22 140 |
| 361 | 57 | 3.6 | 71.867 | 907 | 9324 | 1312 | 9325 | 1477 | 50 | 2.04E-03 | GST09 - 3A □□□ 080C22 MDSKA□□ 080-22 140 |
| 411 | 50 | 3.4 | 81.667 | 1030 | 9324 | 1491 | 9325 | 1584 | 44 | 2.04E-03 | GST09 - 3A □□□ 080C22 MDSKA□□ 080-22 140 |
| 473 | 44 | 3.0 | 93.541 | 1180 | 9324 | 1707 | 9325 | 1613 | 38 | 1.99E-03 | GST09 - 3A □□□ 080C22 MDSKA□□ 080-22 140 |
| 502 | 41 | 2.8 | 99.167 | 1251 | 9324 | 1810 | 9325 | 1596 | 36 | 2.03E-03 | GST09 - 3A □□□ 080C22 MDSKA□□ 080-22 140 |
| 577 | 36 | 2.5 | 113.585 | 1433 | 9324 | 2073 | 9325 | 1613 | 32 | 1.99E-03 | GST09 - 3A □□□ 080C22 MDSKA□□ 080-22 140 |
| 658 | 32 | 2.2 | 129.074 | 1628 | 9324 | 2356 | 9325 | 1612 | 28 | 1.98E-03 | GST09 - 3A □□□ 080C22 MDSKA□□ 080-22 140 |
| 722 | 29 | 2.0 | 141.289 | 1782 | 9324 | 2420 | 9325 | 1613 | 25 | 1.97E-03 | GST09 - 3A □□□ 080C22 MDSKA□□ 080-22 140 |
| 822 | 26 | 1.8 | 160.556 | 2025 | 9324 | 2435 | 9325 | 1623 | 22 | 1.97E-03 | GST09 - 3A □□□ 080C22 MDSKA□□ 080-22 140 |
| 405 | 57 | 3.2 | 40.136 | 936 | 9324 | 1323 | 9325 | 1344 | 57 | 3.81E-03 | GST09 - 3A □□□ 090C22 MDSKA□□ 090-22 80 |
| 438 | 53 | 2.9 | 43.267 | 1009 | 9324 | 1427 | 9325 | 1290 | 53 | 3.76E-03 | GST09 - 3A □□□ 090C22 MDSKA□□ 090-22 80 |
| 497 | 47 | 2.9 | 49.167 | 1147 | 9324 | 1621 | 9325 | 1466 | 47 | 3.75E-03 | GST09 - 3A □□□ 090C22 MDSKA□□ 090-22 80 |

Observe the notes for thermal dimensioning.

Selection tables - Helical gearboxes

Naturally ventilated asynchronous geared servo motors

| M ₂ [Nm] | n _{2 trans} [rpm] | c | i | M _{2 max} short-time on geared motor at | | | | M _{2 Gr} gearbox c=1 n ₁ ≤1400 rpm [Nm] | n _{2 therm} [rpm] | J _{GM} referred to motor shaft [kgm ²] | Servo helical- geared motor Dimensions on Page 3-99 |
|------------------------|-------------------------------|-----|--------|---|-------------|----------------------------|-------------|---|-------------------------------|---|--|
| | | | | 8 kHz | | 16 kHz | | | | | |
| | | | | M _{2 max} [Nm] | Type EVS | M _{2 max} [Nm] | Type EVS | | | | |
| 539 | 43 | 2.5 | 53.044 | 1237 | 9324 | 1749 | 9325 | 1379 | 43 | 3.74E-03 | GST09 - 3A □□□ 090C22 MDSKA□□ 090-22 80 |
| 612 | 38 | 2.5 | 60.278 | 1406 | 9324 | 1987 | 9325 | 1565 | 38 | 3.74E-03 | GST09 - 3A □□□ 090C22 MDSKA□□ 090-22 80 |
| 734 | 32 | 2.0 | 71.867 | 1676 | 9324 | 2215 | 9325 | 1477 | 32 | 3.72E-03 | GST09 - 3A □□□ 090C22 MDSKA□□ 090-22 80 |
| 835 | 28 | 1.9 | 81.667 | 1904 | 9324 | 2375 | 9325 | 1584 | 28 | 3.72E-03 | GST09 - 3A □□□ 090C22 MDSKA□□ 090-22 80 |
| 1018 | 23 | 1.6 | 99.167 | 2312 | 9324 | 2394 | 9325 | 1596 | 23 | 3.71E-03 | GST09 - 3A □□□ 090C22 MDSKA□□ 090-22 80 |
| 357 | 102 | 3.0 | 40.136 | 898 | 9325 | 1074 | 9326 | 1344 | 78 | 3.81E-03 | GST09 - 3A □□□ 090C22 MDSKA□□ 090-22 140 |
| 385 | 95 | 3.0 | 43.267 | 968 | 9325 | 1158 | 9326 | 1290 | 72 | 3.76E-03 | GST09 - 3A □□□ 090C22 MDSKA□□ 090-22 140 |
| 437 | 84 | 3.0 | 49.167 | 1100 | 9325 | 1316 | 9326 | 1466 | 63 | 3.75E-03 | GST09 - 3A □□□ 090C22 MDSKA□□ 090-22 140 |
| 474 | 77 | 2.6 | 53.044 | 1186 | 9325 | 1419 | 9326 | 1379 | 59 | 3.74E-03 | GST09 - 3A □□□ 090C22 MDSKA□□ 090-22 140 |
| 538 | 68 | 2.6 | 60.278 | 1348 | 9325 | 1613 | 9326 | 1565 | 52 | 3.74E-03 | GST09 - 3A □□□ 090C22 MDSKA□□ 090-22 140 |
| 645 | 57 | 2.0 | 71.867 | 1607 | 9325 | 1923 | 9326 | 1477 | 43 | 3.72E-03 | GST09 - 3A □□□ 090C22 MDSKA□□ 090-22 140 |
| 734 | 50 | 1.9 | 81.667 | 1826 | 9325 | 2185 | 9326 | 1584 | 38 | 3.72E-03 | GST09 - 3A □□□ 090C22 MDSKA□□ 090-22 140 |
| 895 | 41 | 1.6 | 99.167 | 2218 | 9325 | 2394 | 9326 | 1596 | 31 | 3.71E-03 | GST09 - 3A □□□ 090C22 MDSKA□□ 090-22 140 |
| 242 | 51 | 5.7 | 39.160 | 574 | 9323 | 806 | 9324 | 1452 | 51 | 2.44E-03 | GST11 - 2A □□□ 080C22 MDSKA□□ 080-22 70 |
| 275 | 45 | 5.7 | 44.500 | 652 | 9323 | 915 | 9324 | 1650 | 45 | 2.43E-03 | GST11 - 2A □□□ 080C22 MDSKA□□ 080-22 70 |
| 310 | 40 | 4.6 | 49.500 | 725 | 9323 | 1018 | 9324 | 1476 | 40 | 2.27E-03 | GST11 - 2A □□□ 080C22 MDSKA□□ 080-22 70 |
| 352 | 36 | 4.6 | 56.250 | 824 | 9323 | 1157 | 9324 | 1677 | 36 | 2.26E-03 | GST11 - 2A □□□ 080C22 MDSKA□□ 080-22 70 |
| 195 | 105 | 5.8 | 39.160 | 502 | 9324 | 726 | 9325 | 1452 | 92 | 2.44E-03 | GST11 - 2A □□□ 080C22 MDSKA□□ 080-22 140 |
| 248 | 83 | 5.1 | 49.500 | 634 | 9324 | 917 | 9325 | 1476 | 73 | 2.27E-03 | GST11 - 2A □□□ 080C22 MDSKA□□ 080-22 140 |
| 282 | 73 | 5.1 | 56.250 | 720 | 9324 | 1042 | 9325 | 1677 | 64 | 2.26E-03 | GST11 - 2A □□□ 080C22 MDSKA□□ 080-22 140 |
| 325 | 71 | 4.9 | 32.267 | 764 | 9324 | 1080 | 9325 | 1674 | 71 | 4.30E-03 | GST11 - 2A □□□ 090C22 MDSKA□□ 090-22 80 |
| 369 | 63 | 4.9 | 36.667 | 868 | 9324 | 1227 | 9325 | 1902 | 63 | 4.29E-03 | GST11 - 2A □□□ 090C22 MDSKA□□ 090-22 80 |
| 397 | 59 | 4.1 | 39.160 | 927 | 9324 | 1311 | 9325 | 1701 | 59 | 4.12E-03 | GST11 - 2A □□□ 090C22 MDSKA□□ 090-22 80 |
| 451 | 52 | 4.1 | 44.500 | 1054 | 9324 | 1490 | 9325 | 1933 | 52 | 4.11E-03 | GST11 - 2A □□□ 090C22 MDSKA□□ 090-22 80 |
| 506 | 46 | 3.3 | 49.500 | 1172 | 9324 | 1657 | 9325 | 1728 | 46 | 3.95E-03 | GST11 - 2A □□□ 090C22 MDSKA□□ 090-22 80 |
| 575 | 41 | 3.3 | 56.250 | 1332 | 9324 | 1883 | 9325 | 1964 | 41 | 3.94E-03 | GST11 - 2A □□□ 090C22 MDSKA□□ 090-22 80 |
| 219 | 165 | 5.7 | 24.933 | 566 | 9325 | 677 | 9326 | 1616 | 125 | 4.66E-03 | GST11 - 2A □□□ 090C22 MDSKA□□ 090-22 140 |
| 248 | 145 | 5.7 | 28.333 | 643 | 9325 | 770 | 9326 | 1836 | 110 | 4.64E-03 | GST11 - 2A □□□ 090C22 MDSKA□□ 090-22 140 |
| 286 | 127 | 4.6 | 32.267 | 733 | 9325 | 877 | 9326 | 1674 | 96 | 4.30E-03 | GST11 - 2A □□□ 090C22 MDSKA□□ 090-22 140 |
| 326 | 112 | 4.6 | 36.667 | 833 | 9325 | 996 | 9326 | 1902 | 85 | 4.29E-03 | GST11 - 2A □□□ 090C22 MDSKA□□ 090-22 140 |
| 350 | 105 | 3.8 | 39.160 | 889 | 9325 | 1064 | 9326 | 1701 | 79 | 4.12E-03 | GST11 - 2A □□□ 090C22 MDSKA□□ 090-22 140 |
| 396 | 92 | 4.2 | 44.500 | 1010 | 9325 | 1209 | 9326 | 1933 | 70 | 4.11E-03 | GST11 - 2A □□□ 090C22 MDSKA□□ 090-22 140 |
| 445 | 83 | 3.4 | 49.500 | 1124 | 9325 | 1345 | 9326 | 1728 | 63 | 3.95E-03 | GST11 - 2A □□□ 090C22 MDSKA□□ 090-22 140 |
| 506 | 73 | 3.4 | 56.250 | 1277 | 9325 | 1528 | 9326 | 1964 | 55 | 3.94E-03 | GST11 - 2A □□□ 090C22 MDSKA□□ 090-22 140 |

Observe the notes for thermal dimensioning.

Selection tables - Helical gearboxes

Naturally ventilated asynchronous geared servo motors



| M ₂ [Nm] | n ₂ trans [rpm] | c | i | M ₂ max short-time on geared motor at | | | | M ₂ Gr gearbox c=1 n ₁ ≤ 1400 rpm [Nm] | n ₂ therm [rpm] | J _{GM} referred to motor shaft [kgm ²] | Servo helical- geared motor Dimensions on Page 3-99 |
|------------------------|-------------------------------|------------|----------------|---|-------------|----------------------------|-------------|--|-------------------------------|---|--|
| | | | | 8 kHz | | 16 kHz | | | | | |
| | | | | M ₂ max [Nm] | Type EVS | M ₂ max [Nm] | Type EVS | | | | |
| 487 | 73 | 5.4 | 32.267 | 1478 | 9325 | 1058 | 9325 | 2818 | 73 | 7.90E-03 | GST11 - 2A □□□ 100C22 MDSKA□□ 100-22 80 |
| 556 | 64 | 5.0 | 36.667 | 1679 | 9325 | 1202 | 9325 | 2933 | 64 | 7.89E-03 | GST11 - 2A □□□ 100C22 MDSKA□□ 100-22 80 |
| 597 | 60 | 4.5 | 39.160 | 1793 | 9325 | 1284 | 9325 | 2826 | 60 | 7.72E-03 | GST11 - 2A □□□ 100C22 MDSKA□□ 100-22 80 |
| 681 | 53 | 4.2 | 44.500 | 2038 | 9325 | 1459 | 9325 | 2933 | 53 | 7.71E-03 | GST11 - 2A □□□ 100C22 MDSKA□□ 100-22 80 |
| 407 | 113 | 5.6 | 36.667 | 1540 | 9326 | 918 | 9326 | 2933 | 67 | 7.89E-03 | GST11 - 2A □□□ 100C22 MDSKA□□ 100-22 140 |
| 437 | 106 | 5.0 | 39.160 | 1645 | 9326 | 980 | 9326 | 2826 | 63 | 7.72E-03 | GST11 - 2A □□□ 100C22 MDSKA□□ 100-22 140 |
| 496 | 93 | 5.1 | 44.500 | 1870 | 9326 | 1114 | 9326 | 2933 | 55 | 7.71E-03 | GST11 - 2A □□□ 100C22 MDSKA□□ 100-22 140 |
| 462 | 123 | 5.5 | 20.289 | 1535 | 9326 | 1098 | 9326 | 2756 | 99 | 1.94E-02 | GST11 - 2A □□□ 112C22 MDSKA□□ 112-22 85 |
| 527 | 108 | 5.1 | 23.056 | 1745 | 9326 | 1248 | 9326 | 2913 | 87 | 1.94E-02 | GST11 - 2A □□□ 112C22 MDSKA□□ 112-22 85 |
| 574 | 100 | 4.5 | 24.933 | 1887 | 9326 | 1350 | 9326 | 2777 | 81 | 1.91E-02 | GST11 - 2A □□□ 112C22 MDSKA□□ 112-22 85 |
| 654 | 88 | 4.2 | 28.333 | 2144 | 9326 | 1534 | 9326 | 2933 | 71 | 1.90E-02 | GST11 - 2A □□□ 112C22 MDSKA□□ 112-22 85 |
| 392 | 167 | 5.5 | 24.933 | 1062 | 9326 | 907 | 9327 | 2777 | 81 | 1.91E-02 | GST11 - 2A □□□ 112C22 MDSKA□□ 112-22 140 |
| 448 | 147 | 5.1 | 28.333 | 1207 | 9326 | 1031 | 9327 | 2933 | 71 | 1.90E-02 | GST11 - 2A □□□ 112C22 MDSKA□□ 112-22 140 |
| 431 | 17 | 5.4 | 236.622 | 1006 | 9322 | 1199 | 9323 | 2695 | 17 | 3.22E-04 | GST11 - 3A □□□ 056C22 MDSKA□□ 056-22 140 |
| 460 | 16 | 5.3 | 252.167 | 1072 | 9322 | 1277 | 9323 | 2810 | 16 | 3.03E-04 | GST11 - 3A □□□ 056C22 MDSKA□□ 056-22 140 |
| 492 | 15 | 5.1 | 268.889 | 1144 | 9322 | 1362 | 9323 | 2848 | 15 | 3.22E-04 | GST11 - 3A □□□ 056C22 MDSKA□□ 056-22 140 |
| 603 | 12 | 4.2 | 326.333 | 1388 | 9322 | 1653 | 9323 | 2848 | 12 | 2.99E-04 | GST11 - 3A □□□ 056C22 MDSKA□□ 056-22 140 |
| 675 | 11 | 3.5 | 363.000 | 1544 | 9322 | 1839 | 9323 | 2695 | 11 | 3.16E-04 | GST11 - 3A □□□ 056C22 MDSKA□□ 056-22 140 |
| 769 | 9.6 | 3.3 | 412.500 | 1754 | 9322 | 2089 | 9323 | 2848 | 9.6 | 2.95E-04 | GST11 - 3A □□□ 056C22 MDSKA□□ 056-22 140 |
| 472 | 31 | 5.2 | 129.074 | 1554 | 9324 | 1135 | 9324 | 2810 | 31 | 1.02E-03 | GST11 - 3A □□□ 071C22 MDSKA□□ 071-22 140 |
| 542 | 28 | 4.3 | 146.993 | 1770 | 9324 | 1292 | 9324 | 2695 | 28 | 1.01E-03 | GST11 - 3A □□□ 071C22 MDSKA□□ 071-22 140 |
| 584 | 26 | 4.2 | 158.194 | 1905 | 9324 | 1391 | 9324 | 2810 | 26 | 9.70E-04 | GST11 - 3A □□□ 071C22 MDSKA□□ 071-22 140 |
| 670 | 22 | 3.5 | 180.156 | 2169 | 9324 | 1584 | 9324 | 2695 | 22 | 9.59E-04 | GST11 - 3A □□□ 071C22 MDSKA□□ 071-22 140 |
| 776 | 19 | 3.2 | 207.778 | 2502 | 9324 | 1827 | 9324 | 2810 | 19 | 9.18E-04 | GST11 - 3A □□□ 071C22 MDSKA□□ 071-22 140 |
| 888 | 17 | 2.7 | 236.622 | 2849 | 9324 | 2080 | 9324 | 2695 | 17 | 9.12E-04 | GST11 - 3A □□□ 071C22 MDSKA□□ 071-22 140 |
| 947 | 16 | 2.6 | 252.167 | 3037 | 9324 | 2217 | 9324 | 2810 | 16 | 8.93E-04 | GST11 - 3A □□□ 071C22 MDSKA□□ 071-22 140 |
| 1012 | 15 | 2.5 | 268.889 | 3238 | 9324 | 2364 | 9324 | 2848 | 15 | 9.12E-04 | GST11 - 3A □□□ 071C22 MDSKA□□ 071-22 140 |
| 1234 | 12 | 2.1 | 326.333 | 3930 | 9324 | 2869 | 9324 | 2848 | 12 | 8.89E-04 | GST11 - 3A □□□ 071C22 MDSKA□□ 071-22 140 |
| 1377 | 11 | 1.8 | 363.000 | 4043 | 9324 | 3192 | 9324 | 2695 | 11 | 9.06E-04 | GST11 - 3A □□□ 071C22 MDSKA□□ 071-22 140 |
| 1566 | 9.8 | 1.6 | 412.500 | 4272 | 9324 | 3627 | 9324 | 2848 | 9.8 | 8.85E-04 | GST11 - 3A □□□ 071C22 MDSKA□□ 071-22 140 |
| 432 | 28 | 5.8 | 71.011 | 1025 | 9323 | 1439 | 9324 | 2637 | 28 | 2.27E-03 | GST11 - 3A □□□ 080C22 MDSKA□□ 080-22 70 |
| 493 | 25 | 5.4 | 80.694 | 1165 | 9323 | 1635 | 9324 | 2787 | 25 | 2.27E-03 | GST11 - 3A □□□ 080C22 MDSKA□□ 080-22 70 |
| 537 | 23 | 4.8 | 87.267 | 1259 | 9323 | 1768 | 9324 | 2657 | 23 | 2.24E-03 | GST11 - 3A □□□ 080C22 MDSKA□□ 080-22 70 |
| 612 | 20 | 4.4 | 99.167 | 1431 | 9323 | 2009 | 9324 | 2810 | 20 | 2.24E-03 | GST11 - 3A □□□ 080C22 MDSKA□□ 080-22 70 |

Observe the notes for thermal dimensioning.

Selection tables - Helical gearboxes

Naturally ventilated asynchronous geared servo motors

| M ₂ [Nm] | n _{2 trans} [rpm] | c | i | M _{2 max} short-time on geared motor at | | | | M _{2 Gr} gearbox c=1 n ₁ ≤1400 rpm [Nm] | n _{2 therm} [rpm] | J _{GM} referred to motor shaft [kgm ²] | Servo helical- geared motor Dimensions on Page 3-99 |
|------------------------|-------------------------------|-----|---------|---|-------------|----------------------------|-------------|---|-------------------------------|---|--|
| | | | | 8 kHz | | 16 kHz | | | | | |
| | | | | M _{2 max} [Nm] | Type EVS | M _{2 max} [Nm] | Type EVS | | | | |
| 702 | 18 | 3.7 | 112.933 | 1630 | 9323 | 2288 | 9324 | 2695 | 18 | 2.21E-03 | GST11 - 3A □□□ 080C22 MDSKA□□ 080-22 70 |
| 806 | 15 | 3.4 | 129.074 | 1863 | 9323 | 2615 | 9324 | 2810 | 15 | 2.11E-03 | GST11 - 3A □□□ 080C22 MDSKA□□ 080-22 70 |
| 923 | 14 | 2.9 | 146.993 | 2121 | 9323 | 2978 | 9324 | 2695 | 14 | 2.10E-03 | GST11 - 3A □□□ 080C22 MDSKA□□ 080-22 70 |
| 994 | 13 | 2.8 | 158.194 | 2283 | 9323 | 3205 | 9324 | 2810 | 13 | 2.06E-03 | GST11 - 3A □□□ 080C22 MDSKA□□ 080-22 70 |
| 1137 | 11 | 2.3 | 180.156 | 2600 | 9323 | 3650 | 9324 | 2695 | 11 | 2.05E-03 | GST11 - 3A □□□ 080C22 MDSKA□□ 080-22 70 |
| 1315 | 9.6 | 2.1 | 207.778 | 2998 | 9323 | 4210 | 9324 | 2810 | 9.6 | 2.01E-03 | GST11 - 3A □□□ 080C22 MDSKA□□ 080-22 70 |
| 1503 | 8.5 | 1.8 | 236.622 | 3415 | 9323 | 4043 | 9324 | 2695 | 8.5 | 2.00E-03 | GST11 - 3A □□□ 080C22 MDSKA□□ 080-22 70 |
| 1602 | 7.9 | 1.7 | 252.167 | 3639 | 9323 | 4215 | 9324 | 2810 | 7.9 | 1.98E-03 | GST11 - 3A □□□ 080C22 MDSKA□□ 080-22 70 |
| 1710 | 7.4 | 1.7 | 268.889 | 3880 | 9323 | 4272 | 9324 | 2848 | 7.4 | 2.00E-03 | GST11 - 3A □□□ 080C22 MDSKA□□ 080-22 70 |
| 2082 | 6.1 | 1.4 | 326.333 | 4272 | 9323 | 4272 | 9324 | 2848 | 6.1 | 1.98E-03 | GST11 - 3A □□□ 080C22 MDSKA□□ 080-22 70 |
| 430 | 47 | 5.3 | 87.267 | 1101 | 9324 | 1593 | 9325 | 2657 | 41 | 2.24E-03 | GST11 - 3A □□□ 080C22 MDSKA□□ 080-22 140 |
| 491 | 41 | 4.9 | 99.167 | 1251 | 9324 | 1810 | 9325 | 2810 | 36 | 2.24E-03 | GST11 - 3A □□□ 080C22 MDSKA□□ 080-22 140 |
| 563 | 36 | 4.2 | 112.933 | 1425 | 9324 | 2061 | 9325 | 2695 | 32 | 2.21E-03 | GST11 - 3A □□□ 080C22 MDSKA□□ 080-22 140 |
| 647 | 32 | 3.8 | 129.074 | 1628 | 9324 | 2356 | 9325 | 2810 | 28 | 2.11E-03 | GST11 - 3A □□□ 080C22 MDSKA□□ 080-22 140 |
| 741 | 28 | 3.2 | 146.993 | 1854 | 9324 | 2683 | 9325 | 2695 | 24 | 2.10E-03 | GST11 - 3A □□□ 080C22 MDSKA□□ 080-22 140 |
| 798 | 26 | 3.1 | 158.194 | 1996 | 9324 | 2888 | 9325 | 2810 | 23 | 2.06E-03 | GST11 - 3A □□□ 080C22 MDSKA□□ 080-22 140 |
| 914 | 23 | 2.6 | 180.156 | 2273 | 9324 | 3288 | 9325 | 2695 | 20 | 2.05E-03 | GST11 - 3A □□□ 080C22 MDSKA□□ 080-22 140 |
| 1057 | 20 | 2.4 | 207.778 | 2621 | 9324 | 3793 | 9325 | 2810 | 17 | 2.01E-03 | GST11 - 3A □□□ 080C22 MDSKA□□ 080-22 140 |
| 1208 | 17 | 2.0 | 236.622 | 2985 | 9324 | 4043 | 9325 | 2695 | 15 | 2.00E-03 | GST11 - 3A □□□ 080C22 MDSKA□□ 080-22 140 |
| 1288 | 16 | 1.9 | 252.167 | 3181 | 9324 | 4215 | 9325 | 2810 | 14 | 1.98E-03 | GST11 - 3A □□□ 080C22 MDSKA□□ 080-22 140 |
| 1375 | 15 | 1.9 | 268.889 | 3392 | 9324 | 4272 | 9325 | 2848 | 13 | 2.00E-03 | GST11 - 3A □□□ 080C22 MDSKA□□ 080-22 140 |
| 1675 | 13 | 1.5 | 326.333 | 4117 | 9324 | 4272 | 9325 | 2848 | 11 | 1.98E-03 | GST11 - 3A □□□ 080C22 MDSKA□□ 080-22 140 |
| 399 | 56 | 6.0 | 40.816 | 952 | 9324 | 1346 | 9325 | 2550 | 56 | 4.24E-03 | GST11 - 3A □□□ 090C22 MDSKA□□ 090-22 80 |
| 434 | 52 | 5.3 | 44.000 | 1026 | 9324 | 1451 | 9325 | 2410 | 52 | 4.17E-03 | GST11 - 3A □□□ 090C22 MDSKA□□ 090-22 80 |
| 493 | 46 | 5.3 | 50.000 | 1166 | 9324 | 1649 | 9325 | 2725 | 46 | 4.16E-03 | GST11 - 3A □□□ 090C22 MDSKA□□ 090-22 80 |
| 578 | 40 | 4.3 | 57.968 | 1352 | 9324 | 1911 | 9325 | 2577 | 40 | 4.08E-03 | GST11 - 3A □□□ 090C22 MDSKA□□ 090-22 80 |
| 610 | 38 | 4.3 | 61.250 | 1428 | 9324 | 2020 | 9325 | 2725 | 38 | 4.01E-03 | GST11 - 3A □□□ 090C22 MDSKA□□ 090-22 80 |
| 713 | 32 | 3.6 | 71.011 | 1656 | 9324 | 2341 | 9325 | 2637 | 32 | 3.95E-03 | GST11 - 3A □□□ 090C22 MDSKA□□ 090-22 80 |
| 812 | 29 | 3.3 | 80.694 | 1882 | 9324 | 2661 | 9325 | 2787 | 29 | 3.95E-03 | GST11 - 3A □□□ 090C22 MDSKA□□ 090-22 80 |
| 882 | 26 | 2.9 | 87.267 | 2035 | 9324 | 2877 | 9325 | 2657 | 26 | 3.92E-03 | GST11 - 3A □□□ 090C22 MDSKA□□ 090-22 80 |
| 1005 | 23 | 2.7 | 99.167 | 2312 | 9324 | 3270 | 9325 | 2810 | 23 | 3.92E-03 | GST11 - 3A □□□ 090C22 MDSKA□□ 090-22 80 |
| 1150 | 20 | 2.3 | 112.933 | 2633 | 9324 | 3724 | 9325 | 2695 | 20 | 3.89E-03 | GST11 - 3A □□□ 090C22 MDSKA□□ 090-22 80 |
| 1317 | 18 | 2.1 | 129.074 | 3010 | 9324 | 4215 | 9325 | 2810 | 18 | 3.79E-03 | GST11 - 3A □□□ 090C22 MDSKA□□ 090-22 80 |
| 1505 | 16 | 1.8 | 146.993 | 3428 | 9324 | 4043 | 9325 | 2695 | 16 | 3.78E-03 | GST11 - 3A □□□ 090C22 MDSKA□□ 090-22 80 |

Observe the notes for thermal dimensioning.

Selection tables - Helical gearboxes

Naturally ventilated asynchronous geared servo motors



| M ₂ [Nm] | n _{2 trans} [rpm] | c | i | M _{2 max} short-time on geared motor at | | | | M _{2 Gr} gearbox c=1 n ₁ ≤ 1400 rpm [Nm] | n _{2 therm} [rpm] | J _{GM} referred to motor shaft [kgm ²] | Servo helical-geared motor Dimensions on Page 3-99 |
|------------------------|-------------------------------|-----|---------|--|-------------|----------------------------|-------------|--|-------------------------------|--|---|
| | | | | 8 kHz | | 16 kHz | | | | | |
| | | | | M _{2 max} [Nm] | Type EVS | M _{2 max} [Nm] | Type EVS | | | | |
| 1620 | 15 | 1.7 | 158.194 | 3689 | 9324 | 4215 | 9325 | 2810 | 15 | 3.74E-03 | GST11 - 3A □□□ 090C22 MDSKA□□ 090-22 80 |
| 1851 | 13 | 1.4 | 180.156 | 4043 | 9324 | 4043 | 9325 | 2695 | 13 | 3.73E-03 | GST11 - 3A □□□ 090C22 MDSKA□□ 090-22 80 |
| 353 | 101 | 5.6 | 40.816 | 913 | 9325 | 1092 | 9326 | 2550 | 76 | 4.24E-03 | GST11 - 3A □□□ 090C22 MDSKA□□ 090-22 140 |
| 381 | 93 | 5.4 | 44.000 | 984 | 9325 | 1177 | 9326 | 2410 | 71 | 4.17E-03 | GST11 - 3A □□□ 090C22 MDSKA□□ 090-22 140 |
| 433 | 82 | 5.4 | 50.000 | 1118 | 9325 | 1338 | 9326 | 2725 | 62 | 4.16E-03 | GST11 - 3A □□□ 090C22 MDSKA□□ 090-22 140 |
| 508 | 71 | 4.4 | 57.968 | 1296 | 9325 | 1551 | 9326 | 2577 | 54 | 4.08E-03 | GST11 - 3A □□□ 090C22 MDSKA□□ 090-22 140 |
| 536 | 67 | 4.4 | 61.250 | 1370 | 9325 | 1639 | 9326 | 2725 | 51 | 4.01E-03 | GST11 - 3A □□□ 090C22 MDSKA□□ 090-22 140 |
| 627 | 58 | 3.7 | 71.011 | 1588 | 9325 | 1900 | 9326 | 2637 | 44 | 3.95E-03 | GST11 - 3A □□□ 090C22 MDSKA□□ 090-22 140 |
| 714 | 51 | 3.4 | 80.694 | 1805 | 9325 | 2159 | 9326 | 2787 | 39 | 3.95E-03 | GST11 - 3A □□□ 090C22 MDSKA□□ 090-22 140 |
| 776 | 47 | 3.0 | 87.267 | 1952 | 9325 | 2335 | 9326 | 2657 | 36 | 3.92E-03 | GST11 - 3A □□□ 090C22 MDSKA□□ 090-22 140 |
| 883 | 41 | 2.8 | 99.167 | 2218 | 9325 | 2654 | 9326 | 2810 | 31 | 3.92E-03 | GST11 - 3A □□□ 090C22 MDSKA□□ 090-22 140 |
| 1011 | 36 | 2.4 | 112.933 | 2526 | 9325 | 3022 | 9326 | 2695 | 28 | 3.89E-03 | GST11 - 3A □□□ 090C22 MDSKA□□ 090-22 140 |
| 1158 | 32 | 2.2 | 129.074 | 2886 | 9325 | 3454 | 9326 | 2810 | 24 | 3.79E-03 | GST11 - 3A □□□ 090C22 MDSKA□□ 090-22 140 |
| 1323 | 28 | 1.8 | 146.993 | 3287 | 9325 | 3933 | 9326 | 2695 | 21 | 3.78E-03 | GST11 - 3A □□□ 090C22 MDSKA□□ 090-22 140 |
| 1425 | 26 | 1.8 | 158.194 | 3538 | 9325 | 4215 | 9326 | 2810 | 20 | 3.74E-03 | GST11 - 3A □□□ 090C22 MDSKA□□ 090-22 140 |
| 1627 | 23 | 1.5 | 180.156 | 4029 | 9325 | 4043 | 9326 | 2695 | 17 | 3.73E-03 | GST11 - 3A □□□ 090C22 MDSKA□□ 090-22 140 |
| 616 | 57 | 3.9 | 40.816 | 1841 | 9325 | 1318 | 9325 | 2550 | 57 | 7.84E-03 | GST11 - 3A □□□ 100C22 MDSKA□□ 100-22 80 |
| 667 | 53 | 3.5 | 44.000 | 1985 | 9325 | 1421 | 9325 | 2410 | 53 | 7.77E-03 | GST11 - 3A □□□ 100C22 MDSKA□□ 100-22 80 |
| 759 | 47 | 3.5 | 50.000 | 2255 | 9325 | 1615 | 9325 | 2725 | 47 | 7.76E-03 | GST11 - 3A □□□ 100C22 MDSKA□□ 100-22 80 |
| 885 | 40 | 2.9 | 57.968 | 2615 | 9325 | 1873 | 9325 | 2577 | 40 | 7.68E-03 | GST11 - 3A □□□ 100C22 MDSKA□□ 100-22 80 |
| 936 | 38 | 2.9 | 61.250 | 2763 | 9325 | 1979 | 9325 | 2725 | 38 | 7.61E-03 | GST11 - 3A □□□ 100C22 MDSKA□□ 100-22 80 |
| 1090 | 33 | 2.4 | 71.011 | 3203 | 9325 | 2294 | 9325 | 2637 | 33 | 7.55E-03 | GST11 - 3A □□□ 100C22 MDSKA□□ 100-22 80 |
| 1241 | 29 | 2.2 | 80.694 | 3640 | 9325 | 2607 | 9325 | 2787 | 29 | 7.55E-03 | GST11 - 3A □□□ 100C22 MDSKA□□ 100-22 80 |
| 1346 | 27 | 2.0 | 87.267 | 3936 | 9325 | 2819 | 9325 | 2657 | 27 | 7.52E-03 | GST11 - 3A □□□ 100C22 MDSKA□□ 100-22 80 |
| 1532 | 24 | 1.8 | 99.167 | 4215 | 9325 | 3203 | 9325 | 2810 | 24 | 7.52E-03 | GST11 - 3A □□□ 100C22 MDSKA□□ 100-22 80 |
| 1749 | 21 | 1.5 | 112.933 | 4043 | 9325 | 3648 | 9325 | 2695 | 21 | 7.49E-03 | GST11 - 3A □□□ 100C22 MDSKA□□ 100-22 80 |
| 451 | 102 | 4.4 | 40.816 | 1689 | 9326 | 1006 | 9326 | 2550 | 60 | 7.84E-03 | GST11 - 3A □□□ 100C22 MDSKA□□ 100-22 140 |
| 487 | 94 | 4.3 | 44.000 | 1821 | 9326 | 1085 | 9326 | 2410 | 56 | 7.77E-03 | GST11 - 3A □□□ 100C22 MDSKA□□ 100-22 140 |
| 554 | 83 | 4.3 | 50.000 | 2069 | 9326 | 1233 | 9326 | 2725 | 49 | 7.76E-03 | GST11 - 3A □□□ 100C22 MDSKA□□ 100-22 140 |
| 648 | 72 | 3.5 | 57.968 | 2399 | 9326 | 1429 | 9326 | 2577 | 42 | 7.68E-03 | GST11 - 3A □□□ 100C22 MDSKA□□ 100-22 140 |
| 684 | 68 | 3.5 | 61.250 | 2535 | 9326 | 1510 | 9326 | 2725 | 40 | 7.61E-03 | GST11 - 3A □□□ 100C22 MDSKA□□ 100-22 140 |
| 798 | 58 | 2.9 | 71.011 | 2939 | 9326 | 1751 | 9326 | 2637 | 34 | 7.55E-03 | GST11 - 3A □□□ 100C22 MDSKA□□ 100-22 140 |
| 909 | 51 | 2.7 | 80.694 | 3339 | 9326 | 1990 | 9326 | 2787 | 30 | 7.55E-03 | GST11 - 3A □□□ 100C22 MDSKA□□ 100-22 140 |
| 986 | 48 | 2.4 | 87.267 | 3611 | 9326 | 2152 | 9326 | 2657 | 28 | 7.52E-03 | GST11 - 3A □□□ 100C22 MDSKA□□ 100-22 140 |

Observe the notes for thermal dimensioning.

Selection tables - Helical gearboxes

Naturally ventilated asynchronous geared servo motors

| M ₂ [Nm] | n ₂ trans [rpm] | c | i | M ₂ max short-time on geared motor at | | | | M ₂ Gr gearbox c=1 n ₁ ≤ 1400 rpm [Nm] | n ₂ therm [rpm] | J _{GM} referred to motor shaft [kgm ²] | Servo helical- geared motor Dimensions on Page 3-99 |
|------------------------|-------------------------------|------------|----------------|---|-------------|----------------------------|-------------|--|-------------------------------|---|--|
| | | | | 8 kHz | | 16 kHz | | | | | |
| | | | | M ₂ max [Nm] | Type EVS | M ₂ max [Nm] | Type EVS | | | | |
| 1123 | 42 | 2.2 | 99.167 | 4104 | 9326 | 2445 | 9326 | 2810 | 25 | 7.52E-03 | GST11 - 3A □□□ 100C22 MDSKA□□ 100-22 140 |
| 1283 | 37 | 1.9 | 112.933 | 4043 | 9326 | 2785 | 9326 | 2695 | 22 | 7.49E-03 | GST11 - 3A □□□ 100C22 MDSKA□□ 100-22 140 |
| 746 | 47 | 5.6 | 49.500 | 2267 | 9325 | 1623 | 9325 | 4348 | 47 | 8.26E-03 | GST14 - 2A □□□ 100C22 MDSKA□□ 100-22 80 |
| 848 | 42 | 5.6 | 56.250 | 2576 | 9325 | 1845 | 9325 | 4940 | 42 | 8.25E-03 | GST14 - 2A □□□ 100C22 MDSKA□□ 100-22 80 |
| 890 | 64 | 5.6 | 39.160 | 2964 | 9326 | 2120 | 9326 | 5452 | 51 | 1.96E-02 | GST14 - 2A □□□ 112C22 MDSKA□□ 112-22 85 |
| 1013 | 56 | 5.4 | 44.500 | 3368 | 9326 | 2409 | 9326 | 5786 | 45 | 1.96E-02 | GST14 - 2A □□□ 112C22 MDSKA□□ 112-22 85 |
| 962 | 13 | 5.8 | 158.194 | 2283 | 9323 | 3205 | 9324 | 5920 | 13 | 2.36E-03 | GST14 - 3A □□□ 080C22 MDSKA□□ 080-22 70 |
| 1045 | 12 | 5.4 | 171.111 | 2469 | 9323 | 3467 | 9324 | 5920 | 12 | 2.47E-03 | GST14 - 3A □□□ 080C22 MDSKA□□ 080-22 70 |
| 1263 | 9.8 | 4.5 | 204.722 | 2954 | 9323 | 4148 | 9324 | 5920 | 9.8 | 2.21E-03 | GST14 - 3A □□□ 080C22 MDSKA□□ 080-22 70 |
| 1470 | 8.5 | 3.8 | 236.622 | 3415 | 9323 | 4794 | 9324 | 5779 | 8.5 | 2.19E-03 | GST14 - 3A □□□ 080C22 MDSKA□□ 080-22 70 |
| 1546 | 8.1 | 3.7 | 248.458 | 3585 | 9323 | 5034 | 9324 | 5920 | 8.1 | 2.13E-03 | GST14 - 3A □□□ 080C22 MDSKA□□ 080-22 70 |
| 1678 | 7.4 | 3.4 | 268.889 | 3880 | 9323 | 5448 | 9324 | 5920 | 7.4 | 2.19E-03 | GST14 - 3A □□□ 080C22 MDSKA□□ 080-22 70 |
| 2049 | 6.1 | 2.8 | 326.333 | 4709 | 9323 | 6612 | 9324 | 5920 | 6.1 | 2.11E-03 | GST14 - 3A □□□ 080C22 MDSKA□□ 080-22 70 |
| 2288 | 5.5 | 2.5 | 363.000 | 5238 | 9323 | 7355 | 9324 | 5779 | 5.5 | 2.17E-03 | GST14 - 3A □□□ 080C22 MDSKA□□ 080-22 70 |
| 2607 | 4.9 | 2.2 | 412.500 | 5953 | 9323 | 8357 | 9324 | 5920 | 4.9 | 2.10E-03 | GST14 - 3A □□□ 080C22 MDSKA□□ 080-22 70 |
| 1012 | 20 | 5.0 | 204.722 | 2583 | 9324 | 3737 | 9325 | 5920 | 18 | 2.21E-03 | GST14 - 3A □□□ 080C22 MDSKA□□ 080-22 140 |
| 1179 | 17 | 4.3 | 236.622 | 2985 | 9324 | 4319 | 9325 | 5779 | 15 | 2.19E-03 | GST14 - 3A □□□ 080C22 MDSKA□□ 080-22 140 |
| 1240 | 17 | 4.2 | 248.458 | 3134 | 9324 | 4535 | 9325 | 5920 | 14 | 2.13E-03 | GST14 - 3A □□□ 080C22 MDSKA□□ 080-22 140 |
| 1346 | 15 | 3.8 | 268.889 | 3392 | 9324 | 4908 | 9325 | 5920 | 13 | 2.19E-03 | GST14 - 3A □□□ 080C22 MDSKA□□ 080-22 140 |
| 1646 | 13 | 3.2 | 326.333 | 4117 | 9324 | 5957 | 9325 | 5920 | 11 | 2.11E-03 | GST14 - 3A □□□ 080C22 MDSKA□□ 080-22 140 |
| 1838 | 11 | 2.8 | 363.000 | 4579 | 9324 | 6626 | 9325 | 5779 | 9.9 | 2.17E-03 | GST14 - 3A □□□ 080C22 MDSKA□□ 080-22 140 |
| 2095 | 9.9 | 2.5 | 412.500 | 5204 | 9324 | 7530 | 9325 | 5920 | 8.7 | 2.10E-03 | GST14 - 3A □□□ 080C22 MDSKA□□ 080-22 140 |
| 918 | 25 | 5.7 | 93.541 | 2181 | 9324 | 3084 | 9325 | 5524 | 25 | 4.26E-03 | GST14 - 3A □□□ 090C22 MDSKA□□ 090-22 80 |
| 941 | 24 | 5.9 | 96.157 | 2242 | 9324 | 3170 | 9325 | 5882 | 24 | 4.64E-03 | GST14 - 3A □□□ 090C22 MDSKA□□ 090-22 80 |
| 1047 | 22 | 5.4 | 106.296 | 2479 | 9324 | 3505 | 9325 | 5920 | 22 | 4.25E-03 | GST14 - 3A □□□ 090C22 MDSKA□□ 090-22 80 |
| 1297 | 18 | 4.4 | 130.278 | 3038 | 9324 | 4295 | 9325 | 5920 | 18 | 4.20E-03 | GST14 - 3A □□□ 090C22 MDSKA□□ 090-22 80 |
| 1392 | 17 | 4.0 | 139.211 | 3246 | 9324 | 4590 | 9325 | 5736 | 17 | 4.04E-03 | GST14 - 3A □□□ 090C22 MDSKA□□ 090-22 80 |
| 1588 | 15 | 3.6 | 158.194 | 3689 | 9324 | 5216 | 9325 | 5920 | 15 | 4.04E-03 | GST14 - 3A □□□ 090C22 MDSKA□□ 090-22 80 |
| 1723 | 13 | 3.4 | 171.111 | 3990 | 9324 | 5642 | 9325 | 5920 | 13 | 4.15E-03 | GST14 - 3A □□□ 090C22 MDSKA□□ 090-22 80 |
| 2073 | 11 | 2.8 | 204.722 | 4774 | 9324 | 6750 | 9325 | 5920 | 11 | 3.89E-03 | GST14 - 3A □□□ 090C22 MDSKA□□ 090-22 80 |
| 2407 | 9.7 | 2.4 | 236.622 | 5518 | 9324 | 7802 | 9325 | 5779 | 9.7 | 3.87E-03 | GST14 - 3A □□□ 090C22 MDSKA□□ 090-22 80 |
| 2529 | 9.3 | 2.3 | 248.458 | 5794 | 9324 | 8192 | 9325 | 5920 | 9.3 | 3.81E-03 | GST14 - 3A □□□ 090C22 MDSKA□□ 090-22 80 |
| 2742 | 8.6 | 2.1 | 268.889 | 6270 | 9324 | 8865 | 9325 | 5920 | 8.6 | 3.87E-03 | GST14 - 3A □□□ 090C22 MDSKA□□ 090-22 80 |
| 3341 | 7.1 | 1.8 | 326.333 | 7610 | 9324 | 8880 | 9325 | 5920 | 7.1 | 3.79E-03 | GST14 - 3A □□□ 090C22 MDSKA□□ 090-22 80 |

Observe the notes for thermal dimensioning.

Selection tables - Helical gearboxes

Naturally ventilated asynchronous geared servo motors



| M ₂ [Nm] | n _{2 trans} [rpm] | c | i | M _{2 max} short-time on geared motor at | | | | M _{2 Gr} gearbox c=1 n ₁ ≤ 1400 rpm [Nm] | n _{2 therm} [rpm] | J _{GM} referred to motor shaft [kgm ²] | Servo helical-geared motor Dimensions on Page 3-99 |
|------------------------|-------------------------------|-----|---------|--|-------------|----------------------------|-------------|---|-------------------------------|--|---|
| | | | | 8 kHz | | 16 kHz | | | | | |
| | | | | M _{2 max} [Nm] | Type EVS | M _{2 max} [Nm] | Type EVS | | | | |
| 806 | 44 | 5.9 | 93.541 | 2092 | 9325 | 2503 | 9326 | 5524 | 33 | 4.26E-03 | GST14 - 3A □□□ 090C22 MDSKA□□ 090-22 140 |
| 919 | 39 | 5.5 | 106.296 | 2377 | 9325 | 2844 | 9326 | 5920 | 29 | 4.25E-03 | GST14 - 3A □□□ 090C22 MDSKA□□ 090-22 140 |
| 1139 | 32 | 4.5 | 130.278 | 2913 | 9325 | 3486 | 9326 | 5920 | 24 | 4.20E-03 | GST14 - 3A □□□ 090C22 MDSKA□□ 090-22 140 |
| 1223 | 30 | 4.1 | 139.211 | 3113 | 9325 | 3725 | 9326 | 5736 | 22 | 4.04E-03 | GST14 - 3A □□□ 090C22 MDSKA□□ 090-22 140 |
| 1395 | 26 | 3.7 | 158.194 | 3538 | 9325 | 4233 | 9326 | 5920 | 20 | 4.04E-03 | GST14 - 3A □□□ 090C22 MDSKA□□ 090-22 140 |
| 1514 | 24 | 3.4 | 171.111 | 3827 | 9325 | 4579 | 9326 | 5920 | 18 | 4.15E-03 | GST14 - 3A □□□ 090C22 MDSKA□□ 090-22 140 |
| 1822 | 20 | 2.9 | 204.722 | 4578 | 9325 | 5478 | 9326 | 5920 | 15 | 3.89E-03 | GST14 - 3A □□□ 090C22 MDSKA□□ 090-22 140 |
| 2116 | 17 | 2.4 | 236.622 | 5292 | 9325 | 6332 | 9326 | 5779 | 13 | 3.87E-03 | GST14 - 3A □□□ 090C22 MDSKA□□ 090-22 140 |
| 2224 | 17 | 2.4 | 248.458 | 5556 | 9325 | 6648 | 9326 | 5920 | 13 | 3.81E-03 | GST14 - 3A □□□ 090C22 MDSKA□□ 090-22 140 |
| 2411 | 15 | 2.2 | 268.889 | 6013 | 9325 | 7195 | 9326 | 5920 | 12 | 3.87E-03 | GST14 - 3A □□□ 090C22 MDSKA□□ 090-22 140 |
| 2938 | 13 | 1.8 | 326.333 | 7298 | 9325 | 8732 | 9326 | 5920 | 9.5 | 3.79E-03 | GST14 - 3A □□□ 090C22 MDSKA□□ 090-22 140 |
| 787 | 44 | 5.8 | 53.148 | 2397 | 9325 | 1717 | 9325 | 4779 | 44 | 9.25E-03 | GST14 - 3A □□□ 100C22 MDSKA□□ 100-22 80 |
| 879 | 39 | 5.7 | 59.321 | 2676 | 9325 | 1916 | 9325 | 5267 | 39 | 8.52E-03 | GST14 - 3A □□□ 100C22 MDSKA□□ 100-22 80 |
| 1035 | 34 | 4.6 | 69.042 | 3114 | 9325 | 2230 | 9325 | 4917 | 34 | 8.35E-03 | GST14 - 3A □□□ 100C22 MDSKA□□ 100-22 80 |
| 1176 | 30 | 4.6 | 78.457 | 3539 | 9325 | 2534 | 9325 | 5587 | 30 | 8.34E-03 | GST14 - 3A □□□ 100C22 MDSKA□□ 100-22 80 |
| 1415 | 25 | 3.8 | 93.541 | 4219 | 9325 | 3022 | 9325 | 5524 | 25 | 7.86E-03 | GST14 - 3A □□□ 100C22 MDSKA□□ 100-22 80 |
| 1452 | 24 | 3.9 | 96.157 | 4337 | 9325 | 3106 | 9325 | 5882 | 24 | 8.24E-03 | GST14 - 3A □□□ 100C22 MDSKA□□ 100-22 80 |
| 1611 | 22 | 3.6 | 106.296 | 4795 | 9325 | 3434 | 9325 | 5920 | 22 | 7.85E-03 | GST14 - 3A □□□ 100C22 MDSKA□□ 100-22 80 |
| 1989 | 18 | 2.9 | 130.278 | 5877 | 9325 | 4208 | 9325 | 5920 | 18 | 7.80E-03 | GST14 - 3A □□□ 100C22 MDSKA□□ 100-22 80 |
| 2131 | 17 | 2.6 | 139.211 | 6280 | 9325 | 4497 | 9325 | 5736 | 17 | 7.64E-03 | GST14 - 3A □□□ 100C22 MDSKA□□ 100-22 80 |
| 2428 | 15 | 2.4 | 158.194 | 7136 | 9325 | 5110 | 9325 | 5920 | 15 | 7.64E-03 | GST14 - 3A □□□ 100C22 MDSKA□□ 100-22 80 |
| 2631 | 14 | 2.2 | 171.111 | 7718 | 9325 | 5527 | 9325 | 5920 | 14 | 7.75E-03 | GST14 - 3A □□□ 100C22 MDSKA□□ 100-22 80 |
| 754 | 60 | 5.6 | 69.042 | 2857 | 9326 | 1702 | 9326 | 4917 | 35 | 8.35E-03 | GST14 - 3A □□□ 100C22 MDSKA□□ 100-22 140 |
| 857 | 53 | 5.6 | 78.457 | 3247 | 9326 | 1935 | 9326 | 5587 | 31 | 8.34E-03 | GST14 - 3A □□□ 100C22 MDSKA□□ 100-22 140 |
| 1032 | 44 | 4.6 | 93.541 | 3871 | 9326 | 2306 | 9326 | 5524 | 26 | 7.86E-03 | GST14 - 3A □□□ 100C22 MDSKA□□ 100-22 140 |
| 1059 | 43 | 4.8 | 96.157 | 3979 | 9326 | 2371 | 9326 | 5882 | 25 | 8.24E-03 | GST14 - 3A □□□ 100C22 MDSKA□□ 100-22 140 |
| 1176 | 39 | 4.4 | 106.296 | 4399 | 9326 | 2621 | 9326 | 5920 | 23 | 7.85E-03 | GST14 - 3A □□□ 100C22 MDSKA□□ 100-22 140 |
| 1454 | 32 | 3.6 | 130.278 | 5391 | 9326 | 3212 | 9326 | 5920 | 19 | 7.80E-03 | GST14 - 3A □□□ 100C22 MDSKA□□ 100-22 140 |
| 1559 | 30 | 3.2 | 139.211 | 5761 | 9326 | 3432 | 9326 | 5736 | 18 | 7.64E-03 | GST14 - 3A □□□ 100C22 MDSKA□□ 100-22 140 |
| 1778 | 26 | 2.9 | 158.194 | 6546 | 9326 | 3901 | 9326 | 5920 | 15 | 7.64E-03 | GST14 - 3A □□□ 100C22 MDSKA□□ 100-22 140 |
| 1927 | 24 | 2.7 | 171.111 | 7081 | 9326 | 4219 | 9326 | 5920 | 14 | 7.75E-03 | GST14 - 3A □□□ 100C22 MDSKA□□ 100-22 140 |
| 910 | 62 | 4.5 | 40.185 | 2996 | 9326 | 2143 | 9326 | 4476 | 50 | 2.04E-02 | GST14 - 3A □□□ 112C22 MDSKA□□ 112-22 85 |
| 967 | 58 | 4.3 | 42.580 | 3174 | 9326 | 2271 | 9326 | 4262 | 47 | 1.98E-02 | GST14 - 3A □□□ 112C22 MDSKA□□ 112-22 85 |
| 1099 | 51 | 4.3 | 48.386 | 3607 | 9326 | 2580 | 9326 | 4843 | 42 | 1.98E-02 | GST14 - 3A □□□ 112C22 MDSKA□□ 112-22 85 |

Observe the notes for thermal dimensioning.

Selection tables - Helical gearboxes

Naturally ventilated asynchronous geared servo motors

| M ₂ [Nm] | n ₂ trans [rpm] | c | i | M ₂ max short-time on geared motor at | | | | M ₂ Gr gearbox c=1 n ₁ ≤ 1400 rpm [Nm] | n ₂ therm [rpm] | J _{GM} referred to motor shaft [kgm ²] | Servo helical- geared motor Dimensions on Page 3-99 |
|------------------------|-------------------------------|-----|--------|---|-------------|----------------------------|-------------|--|-------------------------------|---|--|
| | | | | 8 kHz | | 16 kHz | | | | | |
| | | | | M ₂ max [Nm] | Type EVS | M ₂ max [Nm] | Type EVS | | | | |
| 1213 | 47 | 3.8 | 53.148 | 3962 | 9326 | 2834 | 9326 | 4779 | 38 | 2.01E-02 | GST14 - 3A □□□ 112C22 MDSKA□□ 112-22 85 |
| 1354 | 42 | 3.8 | 59.321 | 4422 | 9326 | 3163 | 9326 | 5267 | 34 | 1.93E-02 | GST14 - 3A □□□ 112C22 MDSKA□□ 112-22 85 |
| 1589 | 36 | 3.0 | 69.042 | 5147 | 9326 | 3682 | 9326 | 4917 | 29 | 1.92E-02 | GST14 - 3A □□□ 112C22 MDSKA□□ 112-22 85 |
| 1805 | 32 | 3.0 | 78.457 | 5848 | 9326 | 4184 | 9326 | 5587 | 26 | 1.91E-02 | GST14 - 3A □□□ 112C22 MDSKA□□ 112-22 85 |
| 2223 | 26 | 2.6 | 96.157 | 7168 | 9326 | 5128 | 9326 | 5882 | 21 | 1.90E-02 | GST14 - 3A □□□ 112C22 MDSKA□□ 112-22 85 |
| 622 | 104 | 5.5 | 40.185 | 1686 | 9326 | 1440 | 9327 | 4476 | 50 | 2.04E-02 | GST14 - 3A □□□ 112C22 MDSKA□□ 112-22 140 |
| 659 | 98 | 5.5 | 42.580 | 1786 | 9326 | 1526 | 9327 | 4262 | 47 | 1.98E-02 | GST14 - 3A □□□ 112C22 MDSKA□□ 112-22 140 |
| 749 | 86 | 5.5 | 48.386 | 2030 | 9326 | 1734 | 9327 | 4843 | 42 | 1.98E-02 | GST14 - 3A □□□ 112C22 MDSKA□□ 112-22 140 |
| 828 | 78 | 5.0 | 53.148 | 2230 | 9326 | 1905 | 9327 | 4779 | 38 | 2.01E-02 | GST14 - 3A □□□ 112C22 MDSKA□□ 112-22 140 |
| 924 | 70 | 4.9 | 59.321 | 2489 | 9326 | 2126 | 9327 | 5267 | 34 | 1.93E-02 | GST14 - 3A □□□ 112C22 MDSKA□□ 112-22 140 |
| 1087 | 60 | 3.9 | 69.042 | 2897 | 9326 | 2474 | 9327 | 4917 | 29 | 1.92E-02 | GST14 - 3A □□□ 112C22 MDSKA□□ 112-22 140 |
| 1236 | 53 | 3.9 | 78.457 | 3292 | 9326 | 2812 | 9327 | 5587 | 26 | 1.91E-02 | GST14 - 3A □□□ 112C22 MDSKA□□ 112-22 140 |
| 1523 | 43 | 3.4 | 96.157 | 4034 | 9326 | 3446 | 9327 | 5882 | 21 | 1.90E-02 | GST14 - 3A □□□ 112C22 MDSKA□□ 112-22 140 |

Observe the notes for thermal dimensioning.

Selection tables - Helical gearboxes

Forced ventilated asynchronous geared servo motors



| M ₂ [Nm] | n _{2 trans} [rpm] | c | i | M _{2 max} short-time on geared motor at | | | | M _{2 Gr} gearbox c=1 n ₁ ≤ 1400 rpm [Nm] | n _{2 therm} [rpm] | J _{GM} referred to motor shaft [kgm ²] | Servo helical-geared motor Dimensions on Page 3-99 |
|------------------------|-------------------------------|------------|--------------|--|-------------|----------------------------|-------------|---|-------------------------------|--|---|
| | | | | 8 kHz | | 16 kHz | | | | | |
| | | | | M _{2 max} [Nm] | Type EVS | M _{2 max} [Nm] | Type EVS | | | | |
| 10 | 2131 | 1.5 | 1.600 | 21 | 9324 | 29 | 9325 | 19 | 1841 | 8.57E-04 | GST04 - 1A □□□ 071C22 MDFKA□□ 071-22 120 |
| 13 | 1665 | 1.4 | 2.048 | 26 | 9324 | 34 | 9325 | 23 | 1623 | 8.49E-04 | GST04 - 1A □□□ 071C22 MDFKA□□ 071-22 120 |
| 14 | 1522 | 1.4 | 2.240 | 29 | 9324 | 37 | 9325 | 25 | 1522 | 8.47E-04 | GST04 - 1A □□□ 071C22 MDFKA□□ 071-22 120 |
| 18 | 1194 | 1.1 | 2.857 | 37 | 9324 | 38 | 9325 | 25 | 1194 | 8.43E-04 | GST04 - 1A □□□ 071C22 MDFKA□□ 071-22 120 |
| 18 | 1154 | 1.6 | 2.956 | 37 | 9324 | 55 | 9325 | 39 | 923 | 8.64E-04 | GST04 - 2A □□□ 071C22 MDFKA□□ 071-22 120 |
| 20 | 1023 | 1.6 | 3.333 | 42 | 9324 | 61 | 9325 | 42 | 795 | 8.62E-04 | GST04 - 2A □□□ 071C22 MDFKA□□ 071-22 120 |
| 25 | 841 | 1.4 | 4.053 | 51 | 9324 | 68 | 9325 | 45 | 707 | 8.61E-04 | GST04 - 2A □□□ 071C22 MDFKA□□ 071-22 120 |
| 28 | 746 | 1.3 | 4.571 | 58 | 9324 | 72 | 9325 | 48 | 612 | 8.60E-04 | GST04 - 2A □□□ 071C22 MDFKA□□ 071-22 120 |
| 32 | 657 | 1.2 | 5.187 | 65 | 9324 | 75 | 9325 | 50 | 604 | 8.52E-04 | GST04 - 2A □□□ 071C22 MDFKA□□ 071-22 120 |
| 36 | 583 | 1.1 | 5.850 | 74 | 9324 | 80 | 9325 | 53 | 523 | 8.52E-04 | GST04 - 2A □□□ 071C22 MDFKA□□ 071-22 120 |
| 39 | 533 | 1.1 | 6.400 | 81 | 9324 | 83 | 9325 | 55 | 492 | 8.49E-04 | GST04 - 2A □□□ 071C22 MDFKA□□ 071-22 120 |
| 43 | 484 | 1.0 | 7.040 | 85 | 9324 | 85 | 9325 | 57 | 359 | 8.56E-04 | GST04 - 2A □□□ 071C22 MDFKA□□ 071-22 120 |
| 10 | 2131 | 3.4 | 1.600 | 21 | 9324 | 30 | 9325 | 45 | 2056 | 9.06E-04 | GST05 - 1A □□□ 071C22 MDFKA□□ 071-22 120 |
| 12 | 1665 | 3.1 | 2.048 | 26 | 9324 | 38 | 9325 | 53 | 1665 | 8.85E-04 | GST05 - 1A □□□ 071C22 MDFKA□□ 071-22 120 |
| 14 | 1522 | 2.9 | 2.240 | 29 | 9324 | 42 | 9325 | 53 | 1522 | 8.78E-04 | GST05 - 1A □□□ 071C22 MDFKA□□ 071-22 120 |
| 18 | 1194 | 2.3 | 2.857 | 37 | 9324 | 54 | 9325 | 53 | 1194 | 8.65E-04 | GST05 - 1A □□□ 071C22 MDFKA□□ 071-22 120 |
| 22 | 974 | 1.9 | 3.500 | 45 | 9324 | 66 | 9325 | 54 | 974 | 8.57E-04 | GST05 - 1A □□□ 071C22 MDFKA□□ 071-22 120 |
| 28 | 749 | 1.5 | 4.556 | 58 | 9324 | 81 | 9325 | 54 | 749 | 8.48E-04 | GST05 - 1A □□□ 071C22 MDFKA□□ 071-22 120 |
| 35 | 602 | 1.2 | 5.667 | 73 | 9324 | 81 | 9325 | 54 | 602 | 8.43E-04 | GST05 - 1A □□□ 071C22 MDFKA□□ 071-22 120 |
| 19 | 1022 | 2.3 | 1.600 | 47 | 9324 | 34 | 9324 | 45 | 1022 | 2.00E-03 | GST05 - 1A □□□ 080C22 MDFKA□□ 080-22 60 |
| 24 | 798 | 2.1 | 2.048 | 60 | 9324 | 43 | 9324 | 53 | 798 | 1.97E-03 | GST05 - 1A □□□ 080C22 MDFKA□□ 080-22 60 |
| 26 | 730 | 1.9 | 2.240 | 65 | 9324 | 47 | 9324 | 53 | 730 | 1.97E-03 | GST05 - 1A □□□ 080C22 MDFKA□□ 080-22 60 |
| 34 | 572 | 1.5 | 2.857 | 80 | 9324 | 61 | 9324 | 53 | 572 | 1.96E-03 | GST05 - 1A □□□ 080C22 MDFKA□□ 080-22 60 |
| 41 | 467 | 1.3 | 3.500 | 81 | 9324 | 74 | 9324 | 54 | 467 | 1.95E-03 | GST05 - 1A □□□ 080C22 MDFKA□□ 080-22 60 |
| 17 | 2159 | 2.0 | 1.600 | 46 | 9325 | 33 | 9325 | 45 | 1847 | 2.00E-03 | GST05 - 1A □□□ 080C22 MDFKA□□ 080-22 120 |
| 22 | 1687 | 1.8 | 2.048 | 59 | 9325 | 43 | 9325 | 53 | 1525 | 1.97E-03 | GST05 - 1A □□□ 080C22 MDFKA□□ 080-22 120 |
| 24 | 1542 | 1.7 | 2.240 | 65 | 9325 | 47 | 9325 | 53 | 1397 | 1.97E-03 | GST05 - 1A □□□ 080C22 MDFKA□□ 080-22 120 |
| 30 | 1209 | 1.3 | 2.857 | 80 | 9325 | 60 | 9325 | 53 | 1157 | 1.96E-03 | GST05 - 1A □□□ 080C22 MDFKA□□ 080-22 120 |
| 37 | 987 | 1.1 | 3.500 | 81 | 9325 | 73 | 9325 | 54 | 987 | 1.95E-03 | GST05 - 1A □□□ 080C22 MDFKA□□ 080-22 120 |
| 18 | 1154 | 2.7 | 2.956 | 37 | 9324 | 55 | 9325 | 63 | 899 | 9.29E-04 | GST05 - 2A □□□ 071C22 MDFKA□□ 071-22 120 |
| 20 | 1023 | 2.9 | 3.333 | 42 | 9324 | 61 | 9325 | 78 | 813 | 9.24E-04 | GST05 - 2A □□□ 071C22 MDFKA□□ 071-22 120 |
| 24 | 841 | 2.5 | 4.053 | 51 | 9324 | 75 | 9325 | 81 | 762 | 9.20E-04 | GST05 - 2A □□□ 071C22 MDFKA□□ 071-22 120 |
| 28 | 746 | 2.5 | 4.571 | 58 | 9324 | 84 | 9325 | 91 | 675 | 9.16E-04 | GST05 - 2A □□□ 071C22 MDFKA□□ 071-22 120 |
| 31 | 657 | 2.2 | 5.187 | 65 | 9324 | 96 | 9325 | 90 | 637 | 8.94E-04 | GST05 - 2A □□□ 071C22 MDFKA□□ 071-22 120 |

Observe the notes for thermal dimensioning.

Selection tables - Helical gearboxes

Forced ventilated asynchronous geared servo motors

| M ₂ [Nm] | n ₂ trans [rpm] | c | i | M ₂ max short-time on geared motor at | | | | M ₂ Gr gearbox c=1 n ₁ ≤ 1400 rpm [Nm] | n ₂ therm [rpm] | J _{GM} referred to motor shaft [kgm ²] | Servo helical- geared motor Dimensions on Page 3-99 |
|------------------------|-------------------------------|-----|--------|---|-------------|----------------------------|-------------|--|-------------------------------|---|--|
| | | | | 8 kHz | | 16 kHz | | | | | |
| | | | | M ₂ max [Nm] | Type EVS | M ₂ max [Nm] | Type EVS | | | | |
| 35 | 583 | 2.2 | 5.850 | 74 | 9324 | 108 | 9325 | 101 | 565 | 8.91E-04 | GST05 - 2A □□□ 071C22 MDFKA□□ 071-22 120 |
| 39 | 533 | 2.0 | 6.400 | 81 | 9324 | 118 | 9325 | 105 | 531 | 8.83E-04 | GST05 - 2A □□□ 071C22 MDFKA□□ 071-22 120 |
| 44 | 471 | 1.9 | 7.238 | 91 | 9324 | 133 | 9325 | 108 | 471 | 8.70E-04 | GST05 - 2A □□□ 071C22 MDFKA□□ 071-22 120 |
| 50 | 418 | 1.8 | 8.163 | 103 | 9324 | 151 | 9325 | 115 | 418 | 8.69E-04 | GST05 - 2A □□□ 071C22 MDFKA□□ 071-22 120 |
| 55 | 378 | 1.6 | 9.010 | 114 | 9324 | 166 | 9325 | 119 | 328 | 8.84E-04 | GST05 - 2A □□□ 071C22 MDFKA□□ 071-22 120 |
| 61 | 341 | 1.5 | 10.000 | 126 | 9324 | 184 | 9325 | 124 | 341 | 8.60E-04 | GST05 - 2A □□□ 071C22 MDFKA□□ 071-22 120 |
| 68 | 304 | 1.4 | 11.200 | 141 | 9324 | 191 | 9325 | 128 | 258 | 8.76E-04 | GST05 - 2A □□□ 071C22 MDFKA□□ 071-22 120 |
| 79 | 262 | 1.3 | 13.016 | 164 | 9324 | 206 | 9325 | 137 | 262 | 8.48E-04 | GST05 - 2A □□□ 071C22 MDFKA□□ 071-22 120 |
| 88 | 238 | 1.2 | 14.356 | 181 | 9324 | 210 | 9325 | 140 | 238 | 8.43E-04 | GST05 - 2A □□□ 071C22 MDFKA□□ 071-22 120 |
| 99 | 211 | 1.3 | 16.190 | 204 | 9324 | 223 | 9325 | 148 | 211 | 8.43E-04 | GST05 - 2A □□□ 071C22 MDFKA□□ 071-22 120 |
| 107 | 195 | 1.1 | 17.500 | 213 | 9324 | 213 | 9325 | 142 | 195 | 8.57E-04 | GST05 - 2A □□□ 071C22 MDFKA□□ 071-22 120 |
| 122 | 170 | 1.1 | 20.044 | 239 | 9324 | 239 | 9325 | 159 | 170 | 8.46E-04 | GST05 - 2A □□□ 071C22 MDFKA□□ 071-22 120 |
| 34 | 553 | 1.8 | 2.956 | 85 | 9324 | 62 | 9324 | 63 | 553 | 2.02E-03 | GST05 - 2A □□□ 080C22 MDFKA□□ 080-22 60 |
| 38 | 491 | 2.0 | 3.333 | 96 | 9324 | 70 | 9324 | 78 | 491 | 2.01E-03 | GST05 - 2A □□□ 080C22 MDFKA□□ 080-22 60 |
| 47 | 403 | 1.7 | 4.053 | 116 | 9324 | 85 | 9324 | 81 | 403 | 2.01E-03 | GST05 - 2A □□□ 080C22 MDFKA□□ 080-22 60 |
| 53 | 358 | 1.7 | 4.571 | 131 | 9324 | 95 | 9324 | 91 | 358 | 2.01E-03 | GST05 - 2A □□□ 080C22 MDFKA□□ 080-22 60 |
| 60 | 315 | 1.4 | 5.187 | 135 | 9324 | 108 | 9324 | 90 | 315 | 1.98E-03 | GST05 - 2A □□□ 080C22 MDFKA□□ 080-22 60 |
| 68 | 279 | 1.4 | 5.850 | 152 | 9324 | 122 | 9324 | 101 | 279 | 1.98E-03 | GST05 - 2A □□□ 080C22 MDFKA□□ 080-22 60 |
| 74 | 255 | 1.4 | 6.400 | 157 | 9324 | 134 | 9324 | 105 | 255 | 1.97E-03 | GST05 - 2A □□□ 080C22 MDFKA□□ 080-22 60 |
| 84 | 226 | 1.2 | 7.238 | 162 | 9324 | 151 | 9324 | 108 | 226 | 1.96E-03 | GST05 - 2A □□□ 080C22 MDFKA□□ 080-22 60 |
| 95 | 200 | 1.2 | 8.163 | 173 | 9324 | 170 | 9324 | 115 | 200 | 1.96E-03 | GST05 - 2A □□□ 080C22 MDFKA□□ 080-22 60 |
| 105 | 181 | 1.1 | 9.010 | 178 | 9324 | 178 | 9324 | 119 | 181 | 1.97E-03 | GST05 - 2A □□□ 080C22 MDFKA□□ 080-22 60 |
| 116 | 164 | 1.0 | 10.000 | 186 | 9324 | 186 | 9324 | 124 | 164 | 1.95E-03 | GST05 - 2A □□□ 080C22 MDFKA□□ 080-22 60 |
| 31 | 1169 | 1.5 | 2.956 | 84 | 9325 | 61 | 9325 | 63 | 735 | 2.02E-03 | GST05 - 2A □□□ 080C22 MDFKA□□ 080-22 120 |
| 35 | 1037 | 1.7 | 3.333 | 95 | 9325 | 69 | 9325 | 78 | 684 | 2.01E-03 | GST05 - 2A □□□ 080C22 MDFKA□□ 080-22 120 |
| 42 | 852 | 1.4 | 4.053 | 115 | 9325 | 83 | 9325 | 81 | 611 | 2.01E-03 | GST05 - 2A □□□ 080C22 MDFKA□□ 080-22 120 |
| 48 | 756 | 1.4 | 4.571 | 130 | 9325 | 94 | 9325 | 91 | 541 | 2.01E-03 | GST05 - 2A □□□ 080C22 MDFKA□□ 080-22 120 |
| 54 | 666 | 1.3 | 5.187 | 135 | 9325 | 107 | 9325 | 90 | 504 | 1.98E-03 | GST05 - 2A □□□ 080C22 MDFKA□□ 080-22 120 |
| 61 | 591 | 1.3 | 5.850 | 152 | 9325 | 120 | 9325 | 101 | 447 | 1.98E-03 | GST05 - 2A □□□ 080C22 MDFKA□□ 080-22 120 |
| 67 | 540 | 1.2 | 6.400 | 157 | 9325 | 132 | 9325 | 105 | 419 | 1.97E-03 | GST05 - 2A □□□ 080C22 MDFKA□□ 080-22 120 |
| 76 | 477 | 1.1 | 7.238 | 162 | 9325 | 149 | 9325 | 108 | 419 | 1.96E-03 | GST05 - 2A □□□ 080C22 MDFKA□□ 080-22 120 |
| 86 | 423 | 1.0 | 8.163 | 173 | 9325 | 168 | 9325 | 115 | 363 | 1.96E-03 | GST05 - 2A □□□ 080C22 MDFKA□□ 080-22 120 |
| 12 | 1665 | 4.3 | 2.048 | 26 | 9324 | 38 | 9325 | 72 | 1628 | 9.76E-04 | GST06 - 1A □□□ 071C22 MDFKA□□ 071-22 120 |
| 13 | 1522 | 4.3 | 2.240 | 29 | 9324 | 42 | 9325 | 79 | 1522 | 9.57E-04 | GST06 - 1A □□□ 071C22 MDFKA□□ 071-22 120 |

Observe the notes for thermal dimensioning.

Selection tables - Helical gearboxes

Forced ventilated asynchronous geared servo motors



| M ₂ [Nm] | n _{2 trans} [rpm] | c | i | M _{2 max} short-time on geared motor at | | | | M _{2 Gr} gearbox c=1 n ₁ ≤ 1400 rpm [Nm] | n _{2 therm} [rpm] | J _{GM} referred to motor shaft [kgm ²] | Servo helical-geared motor Dimensions on Page 3-99 |
|------------------------|-------------------------------|------------|--------------|--|-------------|----------------------------|-------------|---|-------------------------------|--|---|
| | | | | 8 kHz | | 16 kHz | | | | | |
| | | | | M _{2 max} [Nm] | Type EVS | M _{2 max} [Nm] | Type EVS | | | | |
| 17 | 1194 | 4.0 | 2.857 | 37 | 9324 | 54 | 9325 | 92 | 1194 | 9.27E-04 | GST06 - 1A □□□ 071C22 MDFKA□□ 071-22 120 |
| 21 | 974 | 3.7 | 3.500 | 45 | 9324 | 66 | 9325 | 105 | 974 | 9.04E-04 | GST06 - 1A □□□ 071C22 MDFKA□□ 071-22 120 |
| 28 | 749 | 2.8 | 4.556 | 58 | 9324 | 85 | 9325 | 105 | 749 | 8.78E-04 | GST06 - 1A □□□ 071C22 MDFKA□□ 071-22 120 |
| 35 | 602 | 2.3 | 5.667 | 73 | 9324 | 106 | 9325 | 105 | 602 | 8.66E-04 | GST06 - 1A □□□ 071C22 MDFKA□□ 071-22 120 |
| 45 | 465 | 1.7 | 7.333 | 94 | 9324 | 137 | 9325 | 100 | 465 | 8.53E-04 | GST06 - 1A □□□ 071C22 MDFKA□□ 071-22 120 |
| 55 | 383 | 1.2 | 8.900 | 114 | 9324 | 128 | 9325 | 85 | 383 | 8.47E-04 | GST06 - 1A □□□ 071C22 MDFKA□□ 071-22 120 |
| 18 | 1022 | 3.2 | 1.600 | 47 | 9324 | 34 | 9324 | 61 | 1022 | 2.12E-03 | GST06 - 1A □□□ 080C22 MDFKA□□ 080-22 60 |
| 24 | 798 | 2.9 | 2.048 | 60 | 9324 | 43 | 9324 | 72 | 798 | 2.07E-03 | GST06 - 1A □□□ 080C22 MDFKA□□ 080-22 60 |
| 26 | 730 | 2.9 | 2.240 | 65 | 9324 | 47 | 9324 | 79 | 730 | 2.05E-03 | GST06 - 1A □□□ 080C22 MDFKA□□ 080-22 60 |
| 33 | 572 | 2.7 | 2.857 | 83 | 9324 | 61 | 9324 | 92 | 572 | 2.02E-03 | GST06 - 1A □□□ 080C22 MDFKA□□ 080-22 60 |
| 41 | 467 | 2.5 | 3.500 | 102 | 9324 | 74 | 9324 | 105 | 467 | 1.99E-03 | GST06 - 1A □□□ 080C22 MDFKA□□ 080-22 60 |
| 53 | 359 | 1.9 | 4.556 | 133 | 9324 | 97 | 9324 | 105 | 359 | 1.97E-03 | GST06 - 1A □□□ 080C22 MDFKA□□ 080-22 60 |
| 67 | 289 | 1.5 | 5.667 | 158 | 9324 | 120 | 9324 | 105 | 289 | 1.96E-03 | GST06 - 1A □□□ 080C22 MDFKA□□ 080-22 60 |
| 17 | 2159 | 2.7 | 1.600 | 46 | 9325 | 33 | 9325 | 61 | 1635 | 2.12E-03 | GST06 - 1A □□□ 080C22 MDFKA□□ 080-22 120 |
| 21 | 1687 | 2.5 | 2.048 | 59 | 9325 | 43 | 9325 | 72 | 1459 | 2.07E-03 | GST06 - 1A □□□ 080C22 MDFKA□□ 080-22 120 |
| 23 | 1542 | 2.5 | 2.240 | 65 | 9325 | 47 | 9325 | 79 | 1379 | 2.05E-03 | GST06 - 1A □□□ 080C22 MDFKA□□ 080-22 120 |
| 30 | 1209 | 2.3 | 2.857 | 83 | 9325 | 60 | 9325 | 92 | 1184 | 2.02E-03 | GST06 - 1A □□□ 080C22 MDFKA□□ 080-22 120 |
| 37 | 987 | 2.1 | 3.500 | 101 | 9325 | 73 | 9325 | 105 | 987 | 1.99E-03 | GST06 - 1A □□□ 080C22 MDFKA□□ 080-22 120 |
| 48 | 758 | 1.6 | 4.556 | 132 | 9325 | 95 | 9325 | 105 | 758 | 1.97E-03 | GST06 - 1A □□□ 080C22 MDFKA□□ 080-22 120 |
| 60 | 610 | 1.3 | 5.667 | 158 | 9325 | 118 | 9325 | 105 | 610 | 1.96E-03 | GST06 - 1A □□□ 080C22 MDFKA□□ 080-22 120 |
| 34 | 1050 | 1.7 | 1.600 | 90 | 9325 | 66 | 9325 | 61 | 1050 | 3.80E-03 | GST06 - 1A □□□ 090C22 MDFKA□□ 090-22 60 |
| 43 | 820 | 1.6 | 2.048 | 109 | 9325 | 85 | 9325 | 72 | 820 | 3.75E-03 | GST06 - 1A □□□ 090C22 MDFKA□□ 090-22 60 |
| 47 | 750 | 1.6 | 2.240 | 118 | 9325 | 93 | 9325 | 79 | 750 | 3.73E-03 | GST06 - 1A □□□ 090C22 MDFKA□□ 090-22 60 |
| 60 | 588 | 1.5 | 2.857 | 139 | 9325 | 118 | 9325 | 92 | 588 | 3.70E-03 | GST06 - 1A □□□ 090C22 MDFKA□□ 090-22 60 |
| 74 | 480 | 1.4 | 3.500 | 157 | 9325 | 145 | 9325 | 105 | 480 | 3.67E-03 | GST06 - 1A □□□ 090C22 MDFKA□□ 090-22 60 |
| 30 | 2175 | 1.5 | 1.600 | 80 | 9326 | 70 | 9327 | 61 | 1325 | 3.80E-03 | GST06 - 1A □□□ 090C22 MDFKA□□ 090-22 120 |
| 38 | 1700 | 1.4 | 2.048 | 102 | 9326 | 90 | 9327 | 72 | 1148 | 3.75E-03 | GST06 - 1A □□□ 090C22 MDFKA□□ 090-22 120 |
| 42 | 1554 | 1.4 | 2.240 | 112 | 9326 | 98 | 9327 | 79 | 1093 | 3.73E-03 | GST06 - 1A □□□ 090C22 MDFKA□□ 090-22 120 |
| 53 | 1218 | 1.3 | 2.857 | 139 | 9326 | 126 | 9327 | 92 | 944 | 3.70E-03 | GST06 - 1A □□□ 090C22 MDFKA□□ 090-22 120 |
| 65 | 994 | 1.2 | 3.500 | 157 | 9326 | 154 | 9327 | 105 | 861 | 3.67E-03 | GST06 - 1A □□□ 090C22 MDFKA□□ 090-22 120 |
| 31 | 641 | 4.8 | 5.324 | 67 | 9324 | 98 | 9325 | 207 | 640 | 1.01E-03 | GST06 - 2A □□□ 071C22 MDFKA□□ 071-22 120 |
| 34 | 583 | 4.7 | 5.850 | 74 | 9324 | 108 | 9325 | 222 | 579 | 1.00E-03 | GST06 - 2A □□□ 071C22 MDFKA□□ 071-22 120 |
| 38 | 533 | 4.5 | 6.400 | 81 | 9324 | 118 | 9325 | 229 | 533 | 9.77E-04 | GST06 - 2A □□□ 071C22 MDFKA□□ 071-22 120 |
| 48 | 418 | 3.8 | 8.163 | 103 | 9324 | 151 | 9325 | 252 | 418 | 9.36E-04 | GST06 - 2A □□□ 071C22 MDFKA□□ 071-22 120 |

Observe the notes for thermal dimensioning.

Selection tables - Helical gearboxes

Forced ventilated asynchronous geared servo motors

| M ₂ [Nm] | n _{2 trans} [rpm] | c | i | M _{2 max} short-time on geared motor at | | | | M _{2 Gr} gearbox c=1 n ₁ ≤ 1400 rpm [Nm] | n _{2 therm} [rpm] | J _{GM} referred to motor shaft [kgm ²] | Servo helical- geared motor Dimensions on Page 3-99 |
|------------------------|-------------------------------|-----|--------|---|-------------|----------------------------|-------------|--|-------------------------------|---|--|
| | | | | 8 kHz | | 16 kHz | | | | | |
| | | | | M _{2 max} [Nm] | Type EVS | M _{2 max} [Nm] | Type EVS | | | | |
| 54 | 378 | 3.6 | 9.010 | 114 | 9324 | 166 | 9325 | 261 | 357 | 9.80E-04 | GST06 - 2A □□□ 071C22 MDFKA□□ 071-22 120 |
| 60 | 341 | 3.3 | 10.000 | 126 | 9324 | 184 | 9325 | 269 | 341 | 9.12E-04 | GST06 - 2A □□□ 071C22 MDFKA□□ 071-22 120 |
| 67 | 304 | 3.1 | 11.200 | 141 | 9324 | 207 | 9325 | 280 | 289 | 9.56E-04 | GST06 - 2A □□□ 071C22 MDFKA□□ 071-22 120 |
| 75 | 271 | 2.9 | 12.571 | 159 | 9324 | 232 | 9325 | 295 | 271 | 9.26E-04 | GST06 - 2A □□□ 071C22 MDFKA□□ 071-22 120 |
| 86 | 239 | 2.7 | 14.286 | 180 | 9324 | 263 | 9325 | 307 | 239 | 9.23E-04 | GST06 - 2A □□□ 071C22 MDFKA□□ 071-22 120 |
| 92 | 221 | 2.9 | 15.400 | 194 | 9324 | 284 | 9325 | 318 | 221 | 9.05E-04 | GST06 - 2A □□□ 071C22 MDFKA□□ 071-22 120 |
| 105 | 195 | 2.5 | 17.500 | 221 | 9324 | 323 | 9325 | 313 | 195 | 9.03E-04 | GST06 - 2A □□□ 071C22 MDFKA□□ 071-22 120 |
| 121 | 170 | 2.5 | 20.044 | 253 | 9324 | 370 | 9325 | 350 | 170 | 8.76E-04 | GST06 - 2A □□□ 071C22 MDFKA□□ 071-22 120 |
| 138 | 150 | 2.0 | 22.778 | 287 | 9324 | 420 | 9325 | 315 | 150 | 8.75E-04 | GST06 - 2A □□□ 071C22 MDFKA□□ 071-22 120 |
| 151 | 137 | 2.0 | 24.933 | 315 | 9324 | 460 | 9325 | 360 | 137 | 8.63E-04 | GST06 - 2A □□□ 071C22 MDFKA□□ 071-22 120 |
| 172 | 120 | 1.6 | 28.333 | 357 | 9324 | 476 | 9325 | 317 | 120 | 8.63E-04 | GST06 - 2A □□□ 071C22 MDFKA□□ 071-22 120 |
| 196 | 106 | 1.6 | 32.267 | 407 | 9324 | 545 | 9325 | 363 | 106 | 8.52E-04 | GST06 - 2A □□□ 071C22 MDFKA□□ 071-22 120 |
| 224 | 93 | 1.2 | 36.667 | 463 | 9324 | 483 | 9325 | 322 | 93 | 8.52E-04 | GST06 - 2A □□□ 071C22 MDFKA□□ 071-22 120 |
| 239 | 87 | 1.3 | 39.160 | 494 | 9324 | 552 | 9325 | 368 | 87 | 8.46E-04 | GST06 - 2A □□□ 071C22 MDFKA□□ 071-22 120 |
| 272 | 77 | 1.1 | 44.500 | 488 | 9324 | 488 | 9325 | 325 | 77 | 8.46E-04 | GST06 - 2A □□□ 071C22 MDFKA□□ 071-22 120 |
| 34 | 539 | 4.6 | 3.033 | 87 | 9324 | 63 | 9324 | 166 | 539 | 2.19E-03 | GST06 - 2A □□□ 080C22 MDFKA□□ 080-22 60 |
| 37 | 491 | 4.4 | 3.333 | 96 | 9324 | 70 | 9324 | 174 | 491 | 2.18E-03 | GST06 - 2A □□□ 080C22 MDFKA□□ 080-22 60 |
| 47 | 393 | 3.8 | 4.160 | 120 | 9324 | 87 | 9324 | 191 | 393 | 2.17E-03 | GST06 - 2A □□□ 080C22 MDFKA□□ 080-22 60 |
| 52 | 358 | 3.6 | 4.571 | 131 | 9324 | 95 | 9324 | 200 | 358 | 2.16E-03 | GST06 - 2A □□□ 080C22 MDFKA□□ 080-22 60 |
| 61 | 307 | 3.3 | 5.324 | 153 | 9324 | 111 | 9324 | 207 | 307 | 2.10E-03 | GST06 - 2A □□□ 080C22 MDFKA□□ 080-22 60 |
| 67 | 279 | 3.2 | 5.850 | 168 | 9324 | 122 | 9324 | 222 | 279 | 2.09E-03 | GST06 - 2A □□□ 080C22 MDFKA□□ 080-22 60 |
| 73 | 255 | 3.0 | 6.400 | 184 | 9324 | 134 | 9324 | 229 | 255 | 2.07E-03 | GST06 - 2A □□□ 080C22 MDFKA□□ 080-22 60 |
| 80 | 232 | 2.8 | 7.040 | 202 | 9324 | 147 | 9324 | 236 | 232 | 2.13E-03 | GST06 - 2A □□□ 080C22 MDFKA□□ 080-22 60 |
| 94 | 200 | 2.6 | 8.163 | 234 | 9324 | 170 | 9324 | 252 | 200 | 2.03E-03 | GST06 - 2A □□□ 080C22 MDFKA□□ 080-22 60 |
| 103 | 181 | 2.4 | 9.010 | 259 | 9324 | 188 | 9324 | 261 | 181 | 2.07E-03 | GST06 - 2A □□□ 080C22 MDFKA□□ 080-22 60 |
| 115 | 164 | 2.2 | 10.000 | 287 | 9324 | 209 | 9324 | 269 | 164 | 2.00E-03 | GST06 - 2A □□□ 080C22 MDFKA□□ 080-22 60 |
| 129 | 146 | 2.1 | 11.200 | 322 | 9324 | 234 | 9324 | 280 | 146 | 2.05E-03 | GST06 - 2A □□□ 080C22 MDFKA□□ 080-22 60 |
| 145 | 130 | 2.0 | 12.571 | 361 | 9324 | 262 | 9324 | 295 | 130 | 2.02E-03 | GST06 - 2A □□□ 080C22 MDFKA□□ 080-22 60 |
| 165 | 114 | 1.8 | 14.286 | 410 | 9324 | 298 | 9324 | 307 | 114 | 2.01E-03 | GST06 - 2A □□□ 080C22 MDFKA□□ 080-22 60 |
| 178 | 106 | 1.8 | 15.400 | 442 | 9324 | 321 | 9324 | 318 | 106 | 1.99E-03 | GST06 - 2A □□□ 080C22 MDFKA□□ 080-22 60 |
| 203 | 93 | 1.5 | 17.500 | 470 | 9324 | 365 | 9324 | 313 | 93 | 1.99E-03 | GST06 - 2A □□□ 080C22 MDFKA□□ 080-22 60 |
| 232 | 82 | 1.5 | 20.044 | 525 | 9324 | 418 | 9324 | 350 | 82 | 1.97E-03 | GST06 - 2A □□□ 080C22 MDFKA□□ 080-22 60 |
| 265 | 72 | 1.2 | 22.778 | 473 | 9324 | 473 | 9324 | 315 | 72 | 1.97E-03 | GST06 - 2A □□□ 080C22 MDFKA□□ 080-22 60 |
| 290 | 66 | 1.2 | 24.933 | 540 | 9324 | 520 | 9324 | 360 | 66 | 1.95E-03 | GST06 - 2A □□□ 080C22 MDFKA□□ 080-22 60 |

Observe the notes for thermal dimensioning.

Selection tables - Helical gearboxes

Forced ventilated asynchronous geared servo motors



| M ₂ [Nm] | n ₂ trans [rpm] | c | i | M ₂ max short-time on geared motor at | | | | M ₂ Gr gearbox c=1 n ₁ ≤ 1400 rpm [Nm] | n ₂ therm [rpm] | J _{GM} referred to motor shaft [kgm ²] | Servo helical-geared motor Dimensions on Page 3-99 |
|------------------------|-------------------------------|-----|--------|--|----------|-------------------------|----------|---|-------------------------------|--|---|
| | | | | 8 kHz | | 16 kHz | | | | | |
| | | | | M ₂ max [Nm] | Type EVS | M ₂ max [Nm] | Type EVS | | | | |
| 31 | 1139 | 4.0 | 3.033 | 86 | 9325 | 62 | 9325 | 166 | 803 | 2.19E-03 | GST06 - 2A □□□ 080C22 MDFKA□□ 080-22 120 |
| 34 | 1037 | 3.8 | 3.333 | 95 | 9325 | 69 | 9325 | 174 | 724 | 2.18E-03 | GST06 - 2A □□□ 080C22 MDFKA□□ 080-22 120 |
| 43 | 831 | 3.3 | 4.160 | 118 | 9325 | 86 | 9325 | 191 | 656 | 2.17E-03 | GST06 - 2A □□□ 080C22 MDFKA□□ 080-22 120 |
| 47 | 756 | 3.2 | 4.571 | 130 | 9325 | 94 | 9325 | 200 | 590 | 2.16E-03 | GST06 - 2A □□□ 080C22 MDFKA□□ 080-22 120 |
| 55 | 649 | 2.8 | 5.324 | 151 | 9325 | 110 | 9325 | 207 | 574 | 2.10E-03 | GST06 - 2A □□□ 080C22 MDFKA□□ 080-22 120 |
| 60 | 591 | 2.7 | 5.850 | 166 | 9325 | 120 | 9325 | 222 | 520 | 2.09E-03 | GST06 - 2A □□□ 080C22 MDFKA□□ 080-22 120 |
| 66 | 540 | 2.6 | 6.400 | 182 | 9325 | 132 | 9325 | 229 | 487 | 2.07E-03 | GST06 - 2A □□□ 080C22 MDFKA□□ 080-22 120 |
| 73 | 491 | 2.4 | 7.040 | 200 | 9325 | 145 | 9325 | 236 | 362 | 2.13E-03 | GST06 - 2A □□□ 080C22 MDFKA□□ 080-22 120 |
| 84 | 423 | 2.2 | 8.163 | 232 | 9325 | 168 | 9325 | 252 | 412 | 2.03E-03 | GST06 - 2A □□□ 080C22 MDFKA□□ 080-22 120 |
| 93 | 383 | 2.1 | 9.010 | 256 | 9325 | 185 | 9325 | 261 | 318 | 2.07E-03 | GST06 - 2A □□□ 080C22 MDFKA□□ 080-22 120 |
| 104 | 346 | 1.9 | 10.000 | 284 | 9325 | 206 | 9325 | 269 | 346 | 2.00E-03 | GST06 - 2A □□□ 080C22 MDFKA□□ 080-22 120 |
| 116 | 308 | 1.8 | 11.200 | 318 | 9325 | 230 | 9325 | 280 | 250 | 2.05E-03 | GST06 - 2A □□□ 080C22 MDFKA□□ 080-22 120 |
| 131 | 275 | 1.7 | 12.571 | 357 | 9325 | 259 | 9325 | 295 | 242 | 2.02E-03 | GST06 - 2A □□□ 080C22 MDFKA□□ 080-22 120 |
| 149 | 242 | 1.6 | 14.286 | 406 | 9325 | 294 | 9325 | 307 | 204 | 2.01E-03 | GST06 - 2A □□□ 080C22 MDFKA□□ 080-22 120 |
| 160 | 224 | 1.7 | 15.400 | 438 | 9325 | 317 | 9325 | 318 | 224 | 1.99E-03 | GST06 - 2A □□□ 080C22 MDFKA□□ 080-22 120 |
| 182 | 197 | 1.5 | 17.500 | 470 | 9325 | 360 | 9325 | 313 | 189 | 1.99E-03 | GST06 - 2A □□□ 080C22 MDFKA□□ 080-22 120 |
| 209 | 172 | 1.4 | 20.044 | 525 | 9325 | 412 | 9325 | 350 | 172 | 1.97E-03 | GST06 - 2A □□□ 080C22 MDFKA□□ 080-22 120 |
| 238 | 152 | 1.1 | 22.778 | 473 | 9325 | 469 | 9325 | 315 | 152 | 1.97E-03 | GST06 - 2A □□□ 080C22 MDFKA□□ 080-22 120 |
| 261 | 139 | 1.2 | 24.933 | 540 | 9325 | 513 | 9325 | 360 | 139 | 1.95E-03 | GST06 - 2A □□□ 080C22 MDFKA□□ 080-22 120 |
| 62 | 554 | 2.5 | 3.033 | 168 | 9325 | 124 | 9325 | 166 | 554 | 3.87E-03 | GST06 - 2A □□□ 090C22 MDFKA□□ 090-22 60 |
| 69 | 504 | 2.4 | 3.333 | 185 | 9325 | 136 | 9325 | 174 | 504 | 3.86E-03 | GST06 - 2A □□□ 090C22 MDFKA□□ 090-22 60 |
| 86 | 404 | 2.1 | 4.160 | 231 | 9325 | 170 | 9325 | 191 | 404 | 3.85E-03 | GST06 - 2A □□□ 090C22 MDFKA□□ 090-22 60 |
| 94 | 368 | 2.0 | 4.571 | 254 | 9325 | 186 | 9325 | 200 | 368 | 3.84E-03 | GST06 - 2A □□□ 090C22 MDFKA□□ 090-22 60 |
| 110 | 316 | 1.8 | 5.324 | 296 | 9325 | 217 | 9325 | 207 | 316 | 3.78E-03 | GST06 - 2A □□□ 090C22 MDFKA□□ 090-22 60 |
| 121 | 287 | 1.8 | 5.850 | 325 | 9325 | 238 | 9325 | 222 | 287 | 3.77E-03 | GST06 - 2A □□□ 090C22 MDFKA□□ 090-22 60 |
| 133 | 263 | 1.7 | 6.400 | 344 | 9325 | 261 | 9325 | 229 | 263 | 3.75E-03 | GST06 - 2A □□□ 090C22 MDFKA□□ 090-22 60 |
| 146 | 239 | 1.5 | 7.040 | 354 | 9325 | 287 | 9325 | 236 | 239 | 3.81E-03 | GST06 - 2A □□□ 090C22 MDFKA□□ 090-22 60 |
| 170 | 206 | 1.4 | 8.163 | 377 | 9325 | 333 | 9325 | 252 | 206 | 3.71E-03 | GST06 - 2A □□□ 090C22 MDFKA□□ 090-22 60 |
| 187 | 186 | 1.3 | 9.010 | 391 | 9325 | 367 | 9325 | 261 | 186 | 3.75E-03 | GST06 - 2A □□□ 090C22 MDFKA□□ 090-22 60 |
| 208 | 168 | 1.2 | 10.000 | 404 | 9325 | 404 | 9325 | 269 | 168 | 3.68E-03 | GST06 - 2A □□□ 090C22 MDFKA□□ 090-22 60 |
| 233 | 150 | 1.2 | 11.200 | 420 | 9325 | 420 | 9325 | 280 | 150 | 3.73E-03 | GST06 - 2A □□□ 090C22 MDFKA□□ 090-22 60 |
| 262 | 134 | 1.1 | 12.571 | 443 | 9325 | 443 | 9325 | 295 | 134 | 3.70E-03 | GST06 - 2A □□□ 090C22 MDFKA□□ 090-22 60 |
| 55 | 1147 | 2.2 | 3.033 | 149 | 9326 | 131 | 9327 | 166 | 708 | 3.87E-03 | GST06 - 2A □□□ 090C22 MDFKA□□ 090-22 120 |
| 61 | 1044 | 2.1 | 3.333 | 164 | 9326 | 144 | 9327 | 174 | 637 | 3.86E-03 | GST06 - 2A □□□ 090C22 MDFKA□□ 090-22 120 |

Observe the notes for thermal dimensioning.

Selection tables - Helical gearboxes

Forced ventilated asynchronous geared servo motors

| M ₂ [Nm] | n _{2 trans} [rpm] | c | i | M _{2 max} short-time on geared motor at | | | | M _{2 Gr} gearbox c=1 n ₁ ≤ 1400 rpm [Nm] | n _{2 therm} [rpm] | J _{GM} referred to motor shaft [kgm ²] | Servo helical- geared motor Dimensions on Page 3-99 |
|------------------------|-------------------------------|------------|---------------|---|-------------|----------------------------|-------------|--|-------------------------------|---|--|
| | | | | 8 kHz | | 16 kHz | | | | | |
| | | | | M _{2 max} [Nm] | Type EVS | M _{2 max} [Nm] | Type EVS | | | | |
| 76 | 837 | 1.9 | 4.160 | 205 | 9326 | 180 | 9327 | 191 | 569 | 3.85E-03 | GST06 - 2A □□□ 090C22 MDFKA□□ 090-22 120 |
| 84 | 761 | 1.8 | 4.571 | 225 | 9326 | 198 | 9327 | 200 | 503 | 3.84E-03 | GST06 - 2A □□□ 090C22 MDFKA□□ 090-22 120 |
| 98 | 654 | 1.6 | 5.324 | 262 | 9326 | 230 | 9327 | 207 | 470 | 3.78E-03 | GST06 - 2A □□□ 090C22 MDFKA□□ 090-22 120 |
| 107 | 595 | 1.6 | 5.850 | 288 | 9326 | 253 | 9327 | 222 | 421 | 3.77E-03 | GST06 - 2A □□□ 090C22 MDFKA□□ 090-22 120 |
| 117 | 544 | 1.5 | 6.400 | 315 | 9326 | 277 | 9327 | 229 | 390 | 3.75E-03 | GST06 - 2A □□□ 090C22 MDFKA□□ 090-22 120 |
| 129 | 494 | 1.4 | 7.040 | 346 | 9326 | 305 | 9327 | 236 | 283 | 3.81E-03 | GST06 - 2A □□□ 090C22 MDFKA□□ 090-22 120 |
| 150 | 426 | 1.3 | 8.163 | 377 | 9326 | 353 | 9327 | 252 | 326 | 3.71E-03 | GST06 - 2A □□□ 090C22 MDFKA□□ 090-22 120 |
| 166 | 386 | 1.2 | 9.010 | 391 | 9326 | 390 | 9327 | 261 | 237 | 3.75E-03 | GST06 - 2A □□□ 090C22 MDFKA□□ 090-22 120 |
| 184 | 348 | 1.1 | 10.000 | 404 | 9326 | 404 | 9327 | 269 | 289 | 3.68E-03 | GST06 - 2A □□□ 090C22 MDFKA□□ 090-22 120 |
| 206 | 311 | 1.0 | 11.200 | 420 | 9326 | 420 | 9327 | 280 | 188 | 3.73E-03 | GST06 - 2A □□□ 090C22 MDFKA□□ 090-22 120 |
| 236 | 87 | 1.2 | 39.200 | 482 | 9324 | 482 | 9325 | 321 | 87 | 8.66E-04 | GST06 - 3A □□□ 071C22 MDFKA□□ 071-22 120 |
| 264 | 78 | 1.2 | 44.000 | 503 | 9324 | 503 | 9325 | 335 | 78 | 8.50E-04 | GST06 - 3A □□□ 071C22 MDFKA□□ 071-22 120 |
| 307 | 67 | 1.0 | 51.022 | 488 | 9324 | 488 | 9325 | 325 | 67 | 8.62E-04 | GST06 - 3A □□□ 071C22 MDFKA□□ 071-22 120 |
| 324 | 63 | 1.0 | 53.900 | 523 | 9324 | 523 | 9325 | 349 | 63 | 8.48E-04 | GST06 - 3A □□□ 071C22 MDFKA□□ 071-22 120 |
| 17 | 1194 | 5.1 | 2.857 | 37 | 9324 | 54 | 9325 | 118 | 1194 | 1.10E-03 | GST07 - 1A □□□ 071C22 MDFKA□□ 071-22 120 |
| 27 | 749 | 4.0 | 4.556 | 58 | 9324 | 85 | 9325 | 150 | 749 | 9.67E-04 | GST07 - 1A □□□ 071C22 MDFKA□□ 071-22 120 |
| 34 | 611 | 3.4 | 5.583 | 72 | 9324 | 105 | 9325 | 156 | 611 | 9.35E-04 | GST07 - 1A □□□ 071C22 MDFKA□□ 071-22 120 |
| 45 | 465 | 2.7 | 7.333 | 94 | 9324 | 137 | 9325 | 161 | 465 | 8.96E-04 | GST07 - 1A □□□ 071C22 MDFKA□□ 071-22 120 |
| 55 | 383 | 2.3 | 8.900 | 114 | 9324 | 167 | 9325 | 164 | 383 | 8.79E-04 | GST07 - 1A □□□ 071C22 MDFKA□□ 071-22 120 |
| 69 | 303 | 1.5 | 11.250 | 144 | 9324 | 205 | 9325 | 136 | 303 | 8.62E-04 | GST07 - 1A □□□ 071C22 MDFKA□□ 071-22 120 |
| 23 | 818 | 5.1 | 2.000 | 58 | 9324 | 42 | 9324 | 124 | 818 | 2.40E-03 | GST07 - 1A □□□ 080C22 MDFKA□□ 080-22 60 |
| 25 | 730 | 4.9 | 2.240 | 65 | 9324 | 47 | 9324 | 135 | 730 | 2.32E-03 | GST07 - 1A □□□ 080C22 MDFKA□□ 080-22 60 |
| 33 | 572 | 4.6 | 2.857 | 83 | 9324 | 61 | 9324 | 159 | 572 | 2.19E-03 | GST07 - 1A □□□ 080C22 MDFKA□□ 080-22 60 |
| 40 | 467 | 4.0 | 3.500 | 102 | 9324 | 74 | 9324 | 172 | 467 | 2.14E-03 | GST07 - 1A □□□ 080C22 MDFKA□□ 080-22 60 |
| 53 | 359 | 3.4 | 4.556 | 133 | 9324 | 97 | 9324 | 186 | 359 | 2.06E-03 | GST07 - 1A □□□ 080C22 MDFKA□□ 080-22 60 |
| 65 | 293 | 2.9 | 5.583 | 163 | 9324 | 118 | 9324 | 196 | 293 | 2.03E-03 | GST07 - 1A □□□ 080C22 MDFKA□□ 080-22 60 |
| 86 | 223 | 2.2 | 7.333 | 214 | 9324 | 155 | 9324 | 196 | 223 | 1.99E-03 | GST07 - 1A □□□ 080C22 MDFKA□□ 080-22 60 |
| 104 | 184 | 1.7 | 8.900 | 260 | 9324 | 189 | 9324 | 183 | 184 | 1.97E-03 | GST07 - 1A □□□ 080C22 MDFKA□□ 080-22 60 |
| 21 | 1728 | 4.4 | 2.000 | 58 | 9325 | 42 | 9325 | 124 | 1386 | 2.40E-03 | GST07 - 1A □□□ 080C22 MDFKA□□ 080-22 120 |
| 23 | 1542 | 4.3 | 2.240 | 65 | 9325 | 47 | 9325 | 135 | 1280 | 2.32E-03 | GST07 - 1A □□□ 080C22 MDFKA□□ 080-22 120 |
| 29 | 1209 | 4.0 | 2.857 | 83 | 9325 | 60 | 9325 | 159 | 1154 | 2.19E-03 | GST07 - 1A □□□ 080C22 MDFKA□□ 080-22 120 |
| 36 | 987 | 3.5 | 3.500 | 101 | 9325 | 73 | 9325 | 172 | 987 | 2.14E-03 | GST07 - 1A □□□ 080C22 MDFKA□□ 080-22 120 |
| 48 | 758 | 2.9 | 4.556 | 132 | 9325 | 95 | 9325 | 186 | 758 | 2.06E-03 | GST07 - 1A □□□ 080C22 MDFKA□□ 080-22 120 |
| 58 | 619 | 2.5 | 5.583 | 161 | 9325 | 117 | 9325 | 196 | 619 | 2.03E-03 | GST07 - 1A □□□ 080C22 MDFKA□□ 080-22 120 |

Observe the notes for thermal dimensioning.

Selection tables - Helical gearboxes

Forced ventilated asynchronous geared servo motors



| M ₂ [Nm] | n _{2 trans} [rpm] | c | i | M _{2 max} short-time on geared motor at | | | | M _{2 Gr} gearbox c=1 n ₁ ≤ 1400 rpm [Nm] | n _{2 therm} [rpm] | J _{GM} referred to motor shaft [kgm ²] | Servo helical-geared motor Dimensions on Page 3-99 |
|------------------------|-------------------------------|------------|---------------|--|-------------|----------------------------|-------------|---|-------------------------------|--|---|
| | | | | 8 kHz | | 16 kHz | | | | | |
| | | | | M _{2 max} [Nm] | Type EVS | M _{2 max} [Nm] | Type EVS | | | | |
| 77 | 471 | 1.9 | 7.333 | 212 | 9325 | 153 | 9325 | 196 | 471 | 1.99E-03 | GST07 - 1A □□□ 080C22 MDFKA□□ 080-22 120 |
| 94 | 388 | 1.5 | 8.900 | 257 | 9325 | 186 | 9325 | 183 | 388 | 1.97E-03 | GST07 - 1A □□□ 080C22 MDFKA□□ 080-22 120 |
| 34 | 1034 | 3.0 | 1.625 | 92 | 9325 | 67 | 9325 | 106 | 1034 | 4.21E-03 | GST07 - 1A □□□ 090C22 MDFKA□□ 090-22 60 |
| 42 | 840 | 2.8 | 2.000 | 113 | 9325 | 83 | 9325 | 124 | 840 | 4.08E-03 | GST07 - 1A □□□ 090C22 MDFKA□□ 090-22 60 |
| 47 | 750 | 2.7 | 2.240 | 126 | 9325 | 93 | 9325 | 135 | 750 | 4.00E-03 | GST07 - 1A □□□ 090C22 MDFKA□□ 090-22 60 |
| 60 | 588 | 2.5 | 2.857 | 161 | 9325 | 118 | 9325 | 159 | 588 | 3.87E-03 | GST07 - 1A □□□ 090C22 MDFKA□□ 090-22 60 |
| 73 | 480 | 2.2 | 3.500 | 197 | 9325 | 145 | 9325 | 172 | 480 | 3.82E-03 | GST07 - 1A □□□ 090C22 MDFKA□□ 090-22 60 |
| 96 | 369 | 1.9 | 4.556 | 257 | 9325 | 189 | 9325 | 186 | 369 | 3.74E-03 | GST07 - 1A □□□ 090C22 MDFKA□□ 090-22 60 |
| 118 | 301 | 1.6 | 5.583 | 294 | 9325 | 231 | 9325 | 196 | 301 | 3.71E-03 | GST07 - 1A □□□ 090C22 MDFKA□□ 090-22 60 |
| 30 | 2142 | 2.6 | 1.625 | 81 | 9326 | 71 | 9327 | 106 | 1347 | 4.21E-03 | GST07 - 1A □□□ 090C22 MDFKA□□ 090-22 120 |
| 37 | 1740 | 2.5 | 2.000 | 100 | 9326 | 88 | 9327 | 124 | 1225 | 4.08E-03 | GST07 - 1A □□□ 090C22 MDFKA□□ 090-22 120 |
| 41 | 1554 | 2.4 | 2.240 | 112 | 9326 | 98 | 9327 | 135 | 1136 | 4.00E-03 | GST07 - 1A □□□ 090C22 MDFKA□□ 090-22 120 |
| 53 | 1218 | 2.2 | 2.857 | 143 | 9326 | 126 | 9327 | 159 | 1027 | 3.87E-03 | GST07 - 1A □□□ 090C22 MDFKA□□ 090-22 120 |
| 65 | 994 | 2.0 | 3.500 | 175 | 9326 | 154 | 9327 | 172 | 889 | 3.82E-03 | GST07 - 1A □□□ 090C22 MDFKA□□ 090-22 120 |
| 85 | 764 | 1.6 | 4.556 | 228 | 9326 | 200 | 9327 | 186 | 683 | 3.74E-03 | GST07 - 1A □□□ 090C22 MDFKA□□ 090-22 120 |
| 104 | 623 | 1.4 | 5.583 | 279 | 9326 | 245 | 9327 | 196 | 557 | 3.71E-03 | GST07 - 1A □□□ 090C22 MDFKA□□ 090-22 120 |
| 58 | 1046 | 1.8 | 1.625 | 80 | 9325 | 97 | 9326 | 106 | 1046 | 7.81E-03 | GST07 - 1A □□□ 100C22 MDFKA□□ 100-22 60 |
| 71 | 850 | 1.7 | 2.000 | 99 | 9325 | 119 | 9326 | 124 | 850 | 7.68E-03 | GST07 - 1A □□□ 100C22 MDFKA□□ 100-22 60 |
| 80 | 759 | 1.6 | 2.240 | 111 | 9325 | 134 | 9326 | 135 | 759 | 7.60E-03 | GST07 - 1A □□□ 100C22 MDFKA□□ 100-22 60 |
| 102 | 595 | 1.5 | 2.857 | 141 | 9325 | 170 | 9326 | 159 | 595 | 7.47E-03 | GST07 - 1A □□□ 100C22 MDFKA□□ 100-22 60 |
| 125 | 486 | 1.3 | 3.500 | 173 | 9325 | 209 | 9326 | 172 | 486 | 7.42E-03 | GST07 - 1A □□□ 100C22 MDFKA□□ 100-22 60 |
| 57 | 2160 | 1.4 | 1.625 | 108 | 9327 | 102 | 9328 | 106 | 1027 | 7.81E-03 | GST07 - 1A □□□ 100C22 MDFKA□□ 100-22 120 |
| 71 | 1755 | 1.3 | 2.000 | 133 | 9327 | 126 | 9328 | 124 | 915 | 7.68E-03 | GST07 - 1A □□□ 100C22 MDFKA□□ 100-22 120 |
| 79 | 1567 | 1.3 | 2.240 | 149 | 9327 | 141 | 9328 | 135 | 854 | 7.60E-03 | GST07 - 1A □□□ 100C22 MDFKA□□ 100-22 120 |
| 101 | 1229 | 1.2 | 2.857 | 190 | 9327 | 180 | 9328 | 159 | 753 | 7.47E-03 | GST07 - 1A □□□ 100C22 MDFKA□□ 100-22 120 |
| 124 | 1003 | 1.0 | 3.500 | 233 | 9327 | 221 | 9328 | 172 | 663 | 7.42E-03 | GST07 - 1A □□□ 100C22 MDFKA□□ 100-22 120 |
| 98 | 1052 | 1.0 | 1.625 | 159 | 9326 | 159 | 9328 | 106 | 887 | 1.86E-02 | GST07 - 1A □□□ 112C22 MDFKA□□ 112-22 60 |
| 74 | 271 | 5.1 | 12.571 | 159 | 9324 | 232 | 9325 | 513 | 271 | 1.12E-03 | GST07 - 2A □□□ 071C22 MDFKA□□ 071-22 120 |
| 84 | 239 | 5.1 | 14.286 | 180 | 9324 | 263 | 9325 | 583 | 239 | 1.11E-03 | GST07 - 2A □□□ 071C22 MDFKA□□ 071-22 120 |
| 118 | 170 | 4.6 | 20.044 | 253 | 9324 | 370 | 9325 | 650 | 170 | 9.68E-04 | GST07 - 2A □□□ 071C22 MDFKA□□ 071-22 120 |
| 135 | 150 | 4.2 | 22.778 | 287 | 9324 | 420 | 9325 | 682 | 150 | 9.65E-04 | GST07 - 2A □□□ 071C22 MDFKA□□ 071-22 120 |
| 146 | 139 | 3.9 | 24.567 | 310 | 9324 | 453 | 9325 | 677 | 139 | 9.32E-04 | GST07 - 2A □□□ 071C22 MDFKA□□ 071-22 120 |
| 166 | 122 | 3.5 | 27.917 | 352 | 9324 | 515 | 9325 | 691 | 122 | 9.31E-04 | GST07 - 2A □□□ 071C22 MDFKA□□ 071-22 120 |
| 193 | 106 | 3.1 | 32.267 | 407 | 9324 | 595 | 9325 | 698 | 106 | 8.96E-04 | GST07 - 2A □□□ 071C22 MDFKA□□ 071-22 120 |

Observe the notes for thermal dimensioning.

Selection tables - Helical gearboxes

Forced ventilated asynchronous geared servo motors

| M ₂ [Nm] | n ₂ trans [rpm] | c | i | M ₂ max short-time on geared motor at | | | | M ₂ Gr gearbox c=1 n ₁ ≤ 1400 rpm [Nm] | n ₂ therm [rpm] | J _{GM} referred to motor shaft [kgm ²] | Servo helical- geared motor Dimensions on Page 3-99 |
|------------------------|-------------------------------|-----|--------|---|-------------|----------------------------|-------------|--|-------------------------------|---|--|
| | | | | 8 kHz | | 16 kHz | | | | | |
| | | | | M ₂ max [Nm] | Type EVS | M ₂ max [Nm] | Type EVS | | | | |
| 220 | 93 | 2.7 | 36.667 | 463 | 9324 | 676 | 9325 | 702 | 93 | 8.95E-04 | GST07 - 2A □□□ 071C22 MDFKA□□ 071-22 120 |
| 236 | 87 | 2.5 | 39.160 | 494 | 9324 | 722 | 9325 | 706 | 87 | 8.79E-04 | GST07 - 2A □□□ 071C22 MDFKA□□ 071-22 120 |
| 268 | 77 | 2.5 | 44.500 | 561 | 9324 | 820 | 9325 | 707 | 77 | 8.78E-04 | GST07 - 2A □□□ 071C22 MDFKA□□ 071-22 120 |
| 300 | 69 | 1.9 | 49.500 | 624 | 9324 | 900 | 9325 | 600 | 69 | 8.63E-04 | GST07 - 2A □□□ 071C22 MDFKA□□ 071-22 120 |
| 341 | 61 | 1.9 | 56.250 | 710 | 9324 | 1032 | 9325 | 688 | 61 | 8.63E-04 | GST07 - 2A □□□ 071C22 MDFKA□□ 071-22 120 |
| 98 | 186 | 5.0 | 8.800 | 253 | 9324 | 184 | 9324 | 527 | 186 | 2.39E-03 | GST07 - 2A □□□ 080C22 MDFKA□□ 080-22 60 |
| 110 | 166 | 4.7 | 9.856 | 283 | 9324 | 206 | 9324 | 549 | 166 | 2.31E-03 | GST07 - 2A □□□ 080C22 MDFKA□□ 080-22 60 |
| 126 | 146 | 4.5 | 11.200 | 322 | 9324 | 234 | 9324 | 598 | 146 | 2.30E-03 | GST07 - 2A □□□ 080C22 MDFKA□□ 080-22 60 |
| 142 | 130 | 4.0 | 12.571 | 361 | 9324 | 262 | 9324 | 601 | 130 | 2.21E-03 | GST07 - 2A □□□ 080C22 MDFKA□□ 080-22 60 |
| 162 | 114 | 3.7 | 14.286 | 410 | 9324 | 298 | 9324 | 642 | 114 | 2.20E-03 | GST07 - 2A □□□ 080C22 MDFKA□□ 080-22 60 |
| 175 | 106 | 3.6 | 15.400 | 442 | 9324 | 321 | 9324 | 644 | 106 | 2.15E-03 | GST07 - 2A □□□ 080C22 MDFKA□□ 080-22 60 |
| 199 | 93 | 3.3 | 17.500 | 503 | 9324 | 365 | 9324 | 680 | 93 | 2.14E-03 | GST07 - 2A □□□ 080C22 MDFKA□□ 080-22 60 |
| 229 | 82 | 3.0 | 20.044 | 576 | 9324 | 418 | 9324 | 694 | 82 | 2.06E-03 | GST07 - 2A □□□ 080C22 MDFKA□□ 080-22 60 |
| 261 | 72 | 2.6 | 22.778 | 654 | 9324 | 475 | 9324 | 682 | 72 | 2.06E-03 | GST07 - 2A □□□ 080C22 MDFKA□□ 080-22 60 |
| 282 | 67 | 2.5 | 24.567 | 706 | 9324 | 513 | 9324 | 706 | 67 | 2.02E-03 | GST07 - 2A □□□ 080C22 MDFKA□□ 080-22 60 |
| 321 | 59 | 2.1 | 27.917 | 802 | 9324 | 582 | 9324 | 691 | 59 | 2.02E-03 | GST07 - 2A □□□ 080C22 MDFKA□□ 080-22 60 |
| 372 | 51 | 1.9 | 32.267 | 927 | 9324 | 673 | 9324 | 706 | 51 | 1.99E-03 | GST07 - 2A □□□ 080C22 MDFKA□□ 080-22 60 |
| 424 | 45 | 1.6 | 36.667 | 1053 | 9324 | 765 | 9324 | 702 | 45 | 1.99E-03 | GST07 - 2A □□□ 080C22 MDFKA□□ 080-22 60 |
| 453 | 42 | 1.5 | 39.160 | 1059 | 9324 | 817 | 9324 | 706 | 42 | 1.97E-03 | GST07 - 2A □□□ 080C22 MDFKA□□ 080-22 60 |
| 516 | 37 | 1.4 | 44.500 | 1061 | 9324 | 928 | 9324 | 707 | 37 | 1.97E-03 | GST07 - 2A □□□ 080C22 MDFKA□□ 080-22 60 |
| 52 | 664 | 5.6 | 5.200 | 148 | 9325 | 107 | 9325 | 405 | 560 | 2.48E-03 | GST07 - 2A □□□ 080C22 MDFKA□□ 080-22 120 |
| 57 | 605 | 5.6 | 5.714 | 162 | 9325 | 118 | 9325 | 445 | 510 | 2.47E-03 | GST07 - 2A □□□ 080C22 MDFKA□□ 080-22 120 |
| 64 | 540 | 5.2 | 6.400 | 182 | 9325 | 132 | 9325 | 463 | 466 | 2.37E-03 | GST07 - 2A □□□ 080C22 MDFKA□□ 080-22 120 |
| 89 | 393 | 4.3 | 8.800 | 250 | 9325 | 181 | 9325 | 527 | 314 | 2.39E-03 | GST07 - 2A □□□ 080C22 MDFKA□□ 080-22 120 |
| 100 | 351 | 4.0 | 9.856 | 280 | 9325 | 203 | 9325 | 549 | 287 | 2.31E-03 | GST07 - 2A □□□ 080C22 MDFKA□□ 080-22 120 |
| 114 | 308 | 3.9 | 11.200 | 318 | 9325 | 230 | 9325 | 598 | 251 | 2.30E-03 | GST07 - 2A □□□ 080C22 MDFKA□□ 080-22 120 |
| 128 | 275 | 3.5 | 12.571 | 357 | 9325 | 259 | 9325 | 601 | 255 | 2.21E-03 | GST07 - 2A □□□ 080C22 MDFKA□□ 080-22 120 |
| 146 | 242 | 3.2 | 14.286 | 406 | 9325 | 294 | 9325 | 642 | 222 | 2.20E-03 | GST07 - 2A □□□ 080C22 MDFKA□□ 080-22 120 |
| 157 | 224 | 3.4 | 15.400 | 438 | 9325 | 317 | 9325 | 644 | 224 | 2.15E-03 | GST07 - 2A □□□ 080C22 MDFKA□□ 080-22 120 |
| 179 | 197 | 3.2 | 17.500 | 498 | 9325 | 360 | 9325 | 680 | 197 | 2.14E-03 | GST07 - 2A □□□ 080C22 MDFKA□□ 080-22 120 |
| 206 | 172 | 2.8 | 20.044 | 570 | 9325 | 412 | 9325 | 694 | 172 | 2.06E-03 | GST07 - 2A □□□ 080C22 MDFKA□□ 080-22 120 |
| 235 | 152 | 2.5 | 22.778 | 648 | 9325 | 469 | 9325 | 682 | 152 | 2.06E-03 | GST07 - 2A □□□ 080C22 MDFKA□□ 080-22 120 |
| 254 | 141 | 2.4 | 24.567 | 698 | 9325 | 505 | 9325 | 706 | 141 | 2.02E-03 | GST07 - 2A □□□ 080C22 MDFKA□□ 080-22 120 |
| 289 | 124 | 2.0 | 27.917 | 794 | 9325 | 574 | 9325 | 691 | 124 | 2.02E-03 | GST07 - 2A □□□ 080C22 MDFKA□□ 080-22 120 |

Observe the notes for thermal dimensioning.

Selection tables - Helical gearboxes

Forced ventilated asynchronous geared servo motors



| M ₂ [Nm] | n _{2 trans} [rpm] | c | i | M _{2 max} short-time on geared motor at | | | | M _{2 Gr} gearbox c=1 n ₁ ≤ 1400 rpm [Nm] | n _{2 therm} [rpm] | J _{GM} referred to motor shaft [kgm ²] | Servo helical-geared motor Dimensions on Page 3-99 |
|------------------------|-------------------------------|-----|--------|--|-------------|----------------------------|-------------|---|-------------------------------|--|---|
| | | | | 8 kHz | | 16 kHz | | | | | |
| | | | | M _{2 max} [Nm] | Type EVS | M _{2 max} [Nm] | Type EVS | | | | |
| 335 | 107 | 1.8 | 32.267 | 917 | 9325 | 664 | 9325 | 706 | 107 | 1.99E-03 | GST07 - 2A □□□ 080C22 MDFKA□□ 080-22 120 |
| 382 | 94 | 1.6 | 36.667 | 1042 | 9325 | 754 | 9325 | 702 | 94 | 1.99E-03 | GST07 - 2A □□□ 080C22 MDFKA□□ 080-22 120 |
| 408 | 88 | 1.5 | 39.160 | 1059 | 9325 | 806 | 9325 | 706 | 88 | 1.97E-03 | GST07 - 2A □□□ 080C22 MDFKA□□ 080-22 120 |
| 464 | 78 | 1.4 | 44.500 | 1061 | 9325 | 915 | 9325 | 707 | 78 | 1.97E-03 | GST07 - 2A □□□ 080C22 MDFKA□□ 080-22 120 |
| 61 | 551 | 4.8 | 3.048 | 169 | 9325 | 124 | 9325 | 317 | 551 | 4.42E-03 | GST07 - 2A □□□ 090C22 MDFKA□□ 090-22 60 |
| 67 | 502 | 4.8 | 3.350 | 186 | 9325 | 137 | 9325 | 349 | 502 | 4.39E-03 | GST07 - 2A □□□ 090C22 MDFKA□□ 090-22 60 |
| 85 | 398 | 4.3 | 4.225 | 235 | 9325 | 172 | 9325 | 398 | 398 | 4.37E-03 | GST07 - 2A □□□ 090C22 MDFKA□□ 090-22 60 |
| 94 | 362 | 4.1 | 4.643 | 258 | 9325 | 189 | 9325 | 414 | 362 | 4.34E-03 | GST07 - 2A □□□ 090C22 MDFKA□□ 090-22 60 |
| 105 | 323 | 3.8 | 5.200 | 289 | 9325 | 212 | 9325 | 427 | 323 | 4.16E-03 | GST07 - 2A □□□ 090C22 MDFKA□□ 090-22 60 |
| 116 | 294 | 3.6 | 5.714 | 317 | 9325 | 233 | 9325 | 448 | 294 | 4.15E-03 | GST07 - 2A □□□ 090C22 MDFKA□□ 090-22 60 |
| 130 | 263 | 3.3 | 6.400 | 355 | 9325 | 261 | 9325 | 463 | 263 | 4.05E-03 | GST07 - 2A □□□ 090C22 MDFKA□□ 090-22 60 |
| 146 | 235 | 3.2 | 7.150 | 397 | 9325 | 291 | 9325 | 489 | 235 | 4.23E-03 | GST07 - 2A □□□ 090C22 MDFKA□□ 090-22 60 |
| 166 | 207 | 3.1 | 8.125 | 451 | 9325 | 331 | 9325 | 539 | 207 | 4.20E-03 | GST07 - 2A □□□ 090C22 MDFKA□□ 090-22 60 |
| 180 | 191 | 2.8 | 8.800 | 488 | 9325 | 359 | 9325 | 527 | 191 | 4.07E-03 | GST07 - 2A □□□ 090C22 MDFKA□□ 090-22 60 |
| 202 | 170 | 2.6 | 9.856 | 547 | 9325 | 402 | 9325 | 549 | 170 | 3.99E-03 | GST07 - 2A □□□ 090C22 MDFKA□□ 090-22 60 |
| 230 | 150 | 2.5 | 11.200 | 622 | 9325 | 456 | 9325 | 598 | 150 | 3.98E-03 | GST07 - 2A □□□ 090C22 MDFKA□□ 090-22 60 |
| 259 | 134 | 2.2 | 12.571 | 698 | 9325 | 512 | 9325 | 601 | 134 | 3.89E-03 | GST07 - 2A □□□ 090C22 MDFKA□□ 090-22 60 |
| 295 | 118 | 2.1 | 14.286 | 793 | 9325 | 582 | 9325 | 642 | 118 | 3.88E-03 | GST07 - 2A □□□ 090C22 MDFKA□□ 090-22 60 |
| 318 | 109 | 2.0 | 15.400 | 855 | 9325 | 628 | 9325 | 644 | 109 | 3.83E-03 | GST07 - 2A □□□ 090C22 MDFKA□□ 090-22 60 |
| 362 | 96 | 1.9 | 17.500 | 971 | 9325 | 713 | 9325 | 680 | 96 | 3.82E-03 | GST07 - 2A □□□ 090C22 MDFKA□□ 090-22 60 |
| 415 | 84 | 1.7 | 20.044 | 1041 | 9325 | 817 | 9325 | 694 | 84 | 3.74E-03 | GST07 - 2A □□□ 090C22 MDFKA□□ 090-22 60 |
| 473 | 74 | 1.4 | 22.778 | 1023 | 9325 | 928 | 9325 | 682 | 74 | 3.74E-03 | GST07 - 2A □□□ 090C22 MDFKA□□ 090-22 60 |
| 510 | 68 | 1.4 | 24.567 | 1059 | 9325 | 1001 | 9325 | 706 | 68 | 3.70E-03 | GST07 - 2A □□□ 090C22 MDFKA□□ 090-22 60 |
| 581 | 60 | 1.2 | 27.917 | 1037 | 9325 | 1037 | 9325 | 691 | 60 | 3.70E-03 | GST07 - 2A □□□ 090C22 MDFKA□□ 090-22 60 |
| 54 | 1142 | 4.3 | 3.048 | 150 | 9326 | 132 | 9327 | 317 | 693 | 4.42E-03 | GST07 - 2A □□□ 090C22 MDFKA□□ 090-22 120 |
| 60 | 1039 | 4.3 | 3.350 | 165 | 9326 | 145 | 9327 | 349 | 631 | 4.39E-03 | GST07 - 2A □□□ 090C22 MDFKA□□ 090-22 120 |
| 76 | 824 | 3.9 | 4.225 | 208 | 9326 | 183 | 9327 | 398 | 564 | 4.37E-03 | GST07 - 2A □□□ 090C22 MDFKA□□ 090-22 120 |
| 83 | 750 | 3.7 | 4.643 | 228 | 9326 | 201 | 9327 | 414 | 507 | 4.34E-03 | GST07 - 2A □□□ 090C22 MDFKA□□ 090-22 120 |
| 94 | 669 | 3.4 | 5.200 | 256 | 9326 | 225 | 9327 | 427 | 504 | 4.16E-03 | GST07 - 2A □□□ 090C22 MDFKA□□ 090-22 120 |
| 103 | 609 | 3.2 | 5.714 | 281 | 9326 | 247 | 9327 | 448 | 454 | 4.15E-03 | GST07 - 2A □□□ 090C22 MDFKA□□ 090-22 120 |
| 116 | 544 | 3.0 | 6.400 | 315 | 9326 | 277 | 9327 | 463 | 415 | 4.05E-03 | GST07 - 2A □□□ 090C22 MDFKA□□ 090-22 120 |
| 129 | 487 | 2.8 | 7.150 | 352 | 9326 | 309 | 9327 | 489 | 311 | 4.23E-03 | GST07 - 2A □□□ 090C22 MDFKA□□ 090-22 120 |
| 147 | 428 | 2.7 | 8.125 | 400 | 9326 | 352 | 9327 | 539 | 271 | 4.20E-03 | GST07 - 2A □□□ 090C22 MDFKA□□ 090-22 120 |
| 160 | 395 | 2.5 | 8.800 | 433 | 9326 | 381 | 9327 | 527 | 277 | 4.07E-03 | GST07 - 2A □□□ 090C22 MDFKA□□ 090-22 120 |

Observe the notes for thermal dimensioning.

Selection tables - Helical gearboxes

Forced ventilated asynchronous geared servo motors

| M ₂ [Nm] | n _{2 trans} [rpm] | c | i | M _{2 max} short-time on geared motor at | | | | M _{2 Gr} gearbox c=1 n ₁ ≤ 1400 rpm [Nm] | n _{2 therm} [rpm] | J _{GM} referred to motor shaft [kgm ²] | Servo helical- geared motor Dimensions on Page 3-99 |
|------------------------|-------------------------------|-----|--------|---|-------------|----------------------------|-------------|--|-------------------------------|---|--|
| | | | | 8 kHz | | 16 kHz | | | | | |
| | | | | M _{2 max} [Nm] | Type EVS | M _{2 max} [Nm] | Type EVS | | | | |
| 179 | 353 | 2.3 | 9.856 | 485 | 9326 | 427 | 9327 | 549 | 255 | 3.99E-03 | GST07 - 2A □□□ 090C22 MDFKA□□ 090-22 120 |
| 204 | 311 | 2.2 | 11.200 | 551 | 9326 | 485 | 9327 | 598 | 222 | 3.98E-03 | GST07 - 2A □□□ 090C22 MDFKA□□ 090-22 120 |
| 229 | 277 | 2.0 | 12.571 | 618 | 9326 | 544 | 9327 | 601 | 226 | 3.89E-03 | GST07 - 2A □□□ 090C22 MDFKA□□ 090-22 120 |
| 261 | 244 | 1.8 | 14.286 | 703 | 9326 | 618 | 9327 | 642 | 192 | 3.88E-03 | GST07 - 2A □□□ 090C22 MDFKA□□ 090-22 120 |
| 281 | 226 | 1.9 | 15.400 | 758 | 9326 | 666 | 9327 | 644 | 202 | 3.83E-03 | GST07 - 2A □□□ 090C22 MDFKA□□ 090-22 120 |
| 320 | 199 | 1.8 | 17.500 | 861 | 9326 | 757 | 9327 | 680 | 171 | 3.82E-03 | GST07 - 2A □□□ 090C22 MDFKA□□ 090-22 120 |
| 367 | 174 | 1.6 | 20.044 | 986 | 9326 | 867 | 9327 | 694 | 155 | 3.74E-03 | GST07 - 2A □□□ 090C22 MDFKA□□ 090-22 120 |
| 418 | 153 | 1.4 | 22.778 | 1023 | 9326 | 986 | 9327 | 682 | 137 | 3.74E-03 | GST07 - 2A □□□ 090C22 MDFKA□□ 090-22 120 |
| 451 | 142 | 1.3 | 24.567 | 1059 | 9326 | 1059 | 9327 | 706 | 127 | 3.70E-03 | GST07 - 2A □□□ 090C22 MDFKA□□ 090-22 120 |
| 514 | 125 | 1.2 | 27.917 | 1037 | 9326 | 1037 | 9327 | 691 | 111 | 3.70E-03 | GST07 - 2A □□□ 090C22 MDFKA□□ 090-22 120 |
| 105 | 558 | 3.1 | 3.048 | 148 | 9325 | 179 | 9326 | 351 | 558 | 8.02E-03 | GST07 - 2A □□□ 100C22 MDFKA□□ 100-22 60 |
| 116 | 508 | 3.0 | 3.350 | 163 | 9325 | 197 | 9326 | 367 | 508 | 7.99E-03 | GST07 - 2A □□□ 100C22 MDFKA□□ 100-22 60 |
| 146 | 402 | 2.6 | 4.225 | 205 | 9325 | 248 | 9326 | 398 | 402 | 7.97E-03 | GST07 - 2A □□□ 100C22 MDFKA□□ 100-22 60 |
| 161 | 366 | 2.4 | 4.643 | 226 | 9325 | 273 | 9326 | 414 | 366 | 7.94E-03 | GST07 - 2A □□□ 100C22 MDFKA□□ 100-22 60 |
| 181 | 327 | 2.2 | 5.200 | 253 | 9325 | 305 | 9326 | 427 | 327 | 7.76E-03 | GST07 - 2A □□□ 100C22 MDFKA□□ 100-22 60 |
| 199 | 298 | 2.1 | 5.714 | 278 | 9325 | 335 | 9326 | 448 | 298 | 7.75E-03 | GST07 - 2A □□□ 100C22 MDFKA□□ 100-22 60 |
| 223 | 266 | 2.0 | 6.400 | 311 | 9325 | 376 | 9326 | 463 | 266 | 7.65E-03 | GST07 - 2A □□□ 100C22 MDFKA□□ 100-22 60 |
| 250 | 238 | 1.9 | 7.150 | 348 | 9325 | 420 | 9326 | 489 | 238 | 7.83E-03 | GST07 - 2A □□□ 100C22 MDFKA□□ 100-22 60 |
| 284 | 209 | 1.8 | 8.125 | 395 | 9325 | 477 | 9326 | 539 | 209 | 7.80E-03 | GST07 - 2A □□□ 100C22 MDFKA□□ 100-22 60 |
| 308 | 193 | 1.6 | 8.800 | 428 | 9325 | 517 | 9326 | 527 | 193 | 7.67E-03 | GST07 - 2A □□□ 100C22 MDFKA□□ 100-22 60 |
| 345 | 172 | 1.5 | 9.856 | 479 | 9325 | 579 | 9326 | 549 | 172 | 7.59E-03 | GST07 - 2A □□□ 100C22 MDFKA□□ 100-22 60 |
| 393 | 152 | 1.5 | 11.200 | 544 | 9325 | 657 | 9326 | 598 | 152 | 7.58E-03 | GST07 - 2A □□□ 100C22 MDFKA□□ 100-22 60 |
| 441 | 135 | 1.3 | 12.571 | 611 | 9325 | 738 | 9326 | 601 | 135 | 7.49E-03 | GST07 - 2A □□□ 100C22 MDFKA□□ 100-22 60 |
| 502 | 119 | 1.2 | 14.286 | 694 | 9325 | 839 | 9326 | 642 | 119 | 7.48E-03 | GST07 - 2A □□□ 100C22 MDFKA□□ 100-22 60 |
| 541 | 110 | 1.2 | 15.400 | 749 | 9325 | 904 | 9326 | 644 | 110 | 7.43E-03 | GST07 - 2A □□□ 100C22 MDFKA□□ 100-22 60 |
| 616 | 97 | 1.1 | 17.500 | 851 | 9325 | 1020 | 9326 | 680 | 97 | 7.42E-03 | GST07 - 2A □□□ 100C22 MDFKA□□ 100-22 60 |
| 105 | 1151 | 2.5 | 3.048 | 200 | 9327 | 189 | 9328 | 351 | 610 | 8.02E-03 | GST07 - 2A □□□ 100C22 MDFKA□□ 100-22 120 |
| 115 | 1048 | 2.4 | 3.350 | 220 | 9327 | 208 | 9328 | 367 | 548 | 7.99E-03 | GST07 - 2A □□□ 100C22 MDFKA□□ 100-22 120 |
| 146 | 831 | 2.0 | 4.225 | 277 | 9327 | 262 | 9328 | 398 | 487 | 7.97E-03 | GST07 - 2A □□□ 100C22 MDFKA□□ 100-22 120 |
| 161 | 756 | 1.9 | 4.643 | 305 | 9327 | 288 | 9328 | 414 | 434 | 7.94E-03 | GST07 - 2A □□□ 100C22 MDFKA□□ 100-22 120 |
| 180 | 675 | 1.8 | 5.200 | 341 | 9327 | 323 | 9328 | 427 | 417 | 7.76E-03 | GST07 - 2A □□□ 100C22 MDFKA□□ 100-22 120 |
| 198 | 614 | 1.7 | 5.714 | 375 | 9327 | 355 | 9328 | 448 | 369 | 7.75E-03 | GST07 - 2A □□□ 100C22 MDFKA□□ 100-22 120 |
| 222 | 548 | 1.6 | 6.400 | 420 | 9327 | 397 | 9328 | 463 | 332 | 7.65E-03 | GST07 - 2A □□□ 100C22 MDFKA□□ 100-22 120 |
| 249 | 491 | 1.5 | 7.150 | 469 | 9327 | 444 | 9328 | 489 | 241 | 7.83E-03 | GST07 - 2A □□□ 100C22 MDFKA□□ 100-22 120 |

Observe the notes for thermal dimensioning.

Selection tables - Helical gearboxes

Forced ventilated asynchronous geared servo motors



| M ₂ [Nm] | n _{2 trans} [rpm] | c | i | M _{2 max} short-time on geared motor at | | | | M _{2 Gr} gearbox c=1 n ₁ ≤ 1400 rpm [Nm] | n _{2 therm} [rpm] | J _{GM} referred to motor shaft [kgm ²] | Servo helical-geared motor Dimensions on Page 3-99 |
|------------------------|-------------------------------|------------|---------------|--|-------------|----------------------------|-------------|---|-------------------------------|--|---|
| | | | | 8 kHz | | 16 kHz | | | | | |
| | | | | M _{2 max} [Nm] | Type EVS | M _{2 max} [Nm] | Type EVS | | | | |
| 283 | 432 | 1.4 | 8.125 | 533 | 9327 | 505 | 9328 | 539 | 209 | 7.80E-03 | GST07 - 2A □□□ 100C22 MDFKA□□ 100-22 120 |
| 306 | 399 | 1.3 | 8.800 | 577 | 9327 | 546 | 9328 | 527 | 206 | 7.67E-03 | GST07 - 2A □□□ 100C22 MDFKA□□ 100-22 120 |
| 344 | 356 | 1.2 | 9.856 | 646 | 9327 | 612 | 9328 | 549 | 189 | 7.59E-03 | GST07 - 2A □□□ 100C22 MDFKA□□ 100-22 120 |
| 391 | 313 | 1.2 | 11.200 | 735 | 9327 | 696 | 9328 | 598 | 163 | 7.58E-03 | GST07 - 2A □□□ 100C22 MDFKA□□ 100-22 120 |
| 439 | 279 | 1.0 | 12.571 | 825 | 9327 | 781 | 9328 | 601 | 161 | 7.49E-03 | GST07 - 2A □□□ 100C22 MDFKA□□ 100-22 120 |
| 538 | 228 | 1.0 | 15.400 | 965 | 9327 | 956 | 9328 | 644 | 150 | 7.43E-03 | GST07 - 2A □□□ 100C22 MDFKA□□ 100-22 120 |
| 180 | 561 | 1.9 | 3.048 | 308 | 9326 | 405 | 9328 | 351 | 554 | 1.88E-02 | GST07 - 2A □□□ 112C22 MDFKA□□ 112-22 60 |
| 198 | 510 | 1.8 | 3.350 | 338 | 9326 | 445 | 9328 | 367 | 488 | 1.88E-02 | GST07 - 2A □□□ 112C22 MDFKA□□ 112-22 60 |
| 250 | 405 | 1.5 | 4.225 | 427 | 9326 | 561 | 9328 | 398 | 405 | 1.88E-02 | GST07 - 2A □□□ 112C22 MDFKA□□ 112-22 60 |
| 275 | 368 | 1.4 | 4.643 | 469 | 9326 | 617 | 9328 | 414 | 366 | 1.87E-02 | GST07 - 2A □□□ 112C22 MDFKA□□ 112-22 60 |
| 309 | 329 | 1.3 | 5.200 | 525 | 9326 | 641 | 9328 | 427 | 329 | 1.86E-02 | GST07 - 2A □□□ 112C22 MDFKA□□ 112-22 60 |
| 339 | 299 | 1.3 | 5.714 | 577 | 9326 | 673 | 9328 | 448 | 299 | 1.85E-02 | GST07 - 2A □□□ 112C22 MDFKA□□ 112-22 60 |
| 381 | 267 | 1.2 | 6.400 | 646 | 9326 | 695 | 9328 | 463 | 267 | 1.84E-02 | GST07 - 2A □□□ 112C22 MDFKA□□ 112-22 60 |
| 426 | 239 | 1.1 | 7.150 | 722 | 9326 | 733 | 9328 | 489 | 207 | 1.86E-02 | GST07 - 2A □□□ 112C22 MDFKA□□ 112-22 60 |
| 484 | 210 | 1.1 | 8.125 | 808 | 9326 | 808 | 9328 | 539 | 180 | 1.86E-02 | GST07 - 2A □□□ 112C22 MDFKA□□ 112-22 60 |
| 162 | 1155 | 1.6 | 3.048 | 319 | 9328 | 395 | 9330 | 351 | 511 | 1.88E-02 | GST07 - 2A □□□ 112C22 MDFKA□□ 112-22 120 |
| 178 | 1051 | 1.5 | 3.350 | 350 | 9328 | 434 | 9330 | 367 | 451 | 1.88E-02 | GST07 - 2A □□□ 112C22 MDFKA□□ 112-22 120 |
| 225 | 833 | 1.3 | 4.225 | 442 | 9328 | 548 | 9330 | 398 | 386 | 1.88E-02 | GST07 - 2A □□□ 112C22 MDFKA□□ 112-22 120 |
| 247 | 758 | 1.3 | 4.643 | 485 | 9328 | 602 | 9330 | 414 | 341 | 1.87E-02 | GST07 - 2A □□□ 112C22 MDFKA□□ 112-22 120 |
| 277 | 677 | 1.2 | 5.200 | 543 | 9328 | 641 | 9330 | 427 | 330 | 1.86E-02 | GST07 - 2A □□□ 112C22 MDFKA□□ 112-22 120 |
| 305 | 616 | 1.1 | 5.714 | 597 | 9328 | 673 | 9330 | 448 | 293 | 1.85E-02 | GST07 - 2A □□□ 112C22 MDFKA□□ 112-22 120 |
| 341 | 550 | 1.0 | 6.400 | 669 | 9328 | 695 | 9330 | 463 | 269 | 1.84E-02 | GST07 - 2A □□□ 112C22 MDFKA□□ 112-22 120 |
| 232 | 87 | 2.5 | 39.200 | 487 | 9324 | 712 | 9325 | 692 | 87 | 9.27E-04 | GST07 - 3A □□□ 071C22 MDFKA□□ 071-22 120 |
| 261 | 78 | 2.6 | 44.000 | 547 | 9324 | 799 | 9325 | 706 | 78 | 8.83E-04 | GST07 - 3A □□□ 071C22 MDFKA□□ 071-22 120 |
| 303 | 67 | 2.2 | 51.022 | 634 | 9324 | 926 | 9325 | 700 | 67 | 9.14E-04 | GST07 - 3A □□□ 071C22 MDFKA□□ 071-22 120 |
| 321 | 63 | 2.1 | 53.900 | 670 | 9324 | 979 | 9325 | 706 | 63 | 8.78E-04 | GST07 - 3A □□□ 071C22 MDFKA□□ 071-22 120 |
| 389 | 52 | 1.7 | 65.079 | 809 | 9324 | 1061 | 9325 | 707 | 52 | 8.61E-04 | GST07 - 3A □□□ 071C22 MDFKA□□ 071-22 120 |
| 420 | 49 | 1.6 | 70.156 | 872 | 9324 | 1059 | 9325 | 706 | 49 | 8.73E-04 | GST07 - 3A □□□ 071C22 MDFKA□□ 071-22 120 |
| 478 | 43 | 1.4 | 79.762 | 991 | 9324 | 1065 | 9325 | 710 | 43 | 8.84E-04 | GST07 - 3A □□□ 071C22 MDFKA□□ 071-22 120 |
| 516 | 40 | 1.3 | 85.983 | 1059 | 9324 | 1059 | 9325 | 706 | 40 | 8.70E-04 | GST07 - 3A □□□ 071C22 MDFKA□□ 071-22 120 |
| 587 | 35 | 1.2 | 97.708 | 1065 | 9324 | 1065 | 9325 | 710 | 35 | 8.70E-04 | GST07 - 3A □□□ 071C22 MDFKA□□ 071-22 120 |
| 674 | 30 | 1.0 | 111.915 | 1059 | 9324 | 1059 | 9325 | 706 | 30 | 8.54E-04 | GST07 - 3A □□□ 071C22 MDFKA□□ 071-22 120 |
| 447 | 42 | 1.5 | 39.200 | 1037 | 9324 | 805 | 9324 | 692 | 42 | 2.02E-03 | GST07 - 3A □□□ 080C22 MDFKA□□ 080-22 60 |
| 502 | 37 | 1.4 | 44.000 | 1059 | 9324 | 904 | 9324 | 706 | 37 | 1.97E-03 | GST07 - 3A □□□ 080C22 MDFKA□□ 080-22 60 |

Observe the notes for thermal dimensioning.

Selection tables - Helical gearboxes

Forced ventilated asynchronous geared servo motors

| M ₂ [Nm] | n ₂ trans [rpm] | c | i | M ₂ max short-time on geared motor at | | | | M ₂ Gr gearbox c=1 n ₁ ≤ 1400 rpm [Nm] | n ₂ therm [rpm] | J _{GM} referred to motor shaft [kgm ²] | Servo helical- geared motor Dimensions on Page 3-99 |
|------------------------|-------------------------------|-----|--------|---|-------------|----------------------------|-------------|--|-------------------------------|---|--|
| | | | | 8 kHz | | 16 kHz | | | | | |
| | | | | M ₂ max [Nm] | Type EVS | M ₂ max [Nm] | Type EVS | | | | |
| 584 | 32 | 1.2 | 51.022 | 1050 | 9324 | 1048 | 9324 | 700 | 32 | 2.00E-03 | GST07 - 3A □□□ 080C22 MDFKA□□ 080-22 60 |
| 617 | 30 | 1.1 | 53.900 | 1059 | 9324 | 1059 | 9324 | 706 | 30 | 1.97E-03 | GST07 - 3A □□□ 080C22 MDFKA□□ 080-22 60 |
| 403 | 88 | 1.5 | 39.200 | 1037 | 9325 | 794 | 9325 | 692 | 88 | 2.02E-03 | GST07 - 3A □□□ 080C22 MDFKA□□ 080-22 120 |
| 452 | 79 | 1.5 | 44.000 | 1059 | 9325 | 892 | 9325 | 706 | 79 | 1.97E-03 | GST07 - 3A □□□ 080C22 MDFKA□□ 080-22 120 |
| 525 | 68 | 1.3 | 51.022 | 1050 | 9325 | 1034 | 9325 | 700 | 68 | 2.00E-03 | GST07 - 3A □□□ 080C22 MDFKA□□ 080-22 120 |
| 555 | 64 | 1.2 | 53.900 | 1059 | 9325 | 1059 | 9325 | 706 | 64 | 1.97E-03 | GST07 - 3A □□□ 080C22 MDFKA□□ 080-22 120 |
| 53 | 350 | 4.3 | 4.667 | 136 | 9324 | 99 | 9324 | 247 | 350 | 2.38E-03 | GST09 - 1A □□□ 080C22 MDFKA□□ 080-22 60 |
| 65 | 289 | 3.7 | 5.667 | 165 | 9324 | 120 | 9324 | 256 | 289 | 2.27E-03 | GST09 - 1A □□□ 080C22 MDFKA□□ 080-22 60 |
| 85 | 223 | 3.0 | 7.333 | 214 | 9324 | 155 | 9324 | 265 | 223 | 2.15E-03 | GST09 - 1A □□□ 080C22 MDFKA□□ 080-22 60 |
| 104 | 184 | 2.5 | 8.900 | 260 | 9324 | 189 | 9324 | 269 | 184 | 2.09E-03 | GST09 - 1A □□□ 080C22 MDFKA□□ 080-22 60 |
| 132 | 145 | 2.0 | 11.250 | 328 | 9324 | 238 | 9324 | 273 | 145 | 2.03E-03 | GST09 - 1A □□□ 080C22 MDFKA□□ 080-22 60 |
| 28 | 1230 | 5.6 | 2.810 | 81 | 9325 | 59 | 9325 | 221 | 1035 | 2.88E-03 | GST09 - 1A □□□ 080C22 MDFKA□□ 080-22 120 |
| 48 | 740 | 3.8 | 4.667 | 135 | 9325 | 97 | 9325 | 247 | 740 | 2.38E-03 | GST09 - 1A □□□ 080C22 MDFKA□□ 080-22 120 |
| 59 | 610 | 3.2 | 5.667 | 164 | 9325 | 118 | 9325 | 256 | 610 | 2.27E-03 | GST09 - 1A □□□ 080C22 MDFKA□□ 080-22 120 |
| 77 | 471 | 2.6 | 7.333 | 212 | 9325 | 153 | 9325 | 265 | 471 | 2.15E-03 | GST09 - 1A □□□ 080C22 MDFKA□□ 080-22 120 |
| 94 | 388 | 2.2 | 8.900 | 257 | 9325 | 186 | 9325 | 269 | 388 | 2.09E-03 | GST09 - 1A □□□ 080C22 MDFKA□□ 080-22 120 |
| 119 | 307 | 1.7 | 11.250 | 325 | 9325 | 235 | 9325 | 273 | 307 | 2.03E-03 | GST09 - 1A □□□ 080C22 MDFKA□□ 080-22 120 |
| 41 | 820 | 5.3 | 2.048 | 115 | 9325 | 85 | 9325 | 239 | 820 | 5.16E-03 | GST09 - 1A □□□ 090C22 MDFKA□□ 090-22 60 |
| 48 | 720 | 4.8 | 2.333 | 132 | 9325 | 97 | 9325 | 245 | 720 | 4.82E-03 | GST09 - 1A □□□ 090C22 MDFKA□□ 090-22 60 |
| 58 | 598 | 4.2 | 2.810 | 158 | 9325 | 116 | 9325 | 259 | 598 | 4.56E-03 | GST09 - 1A □□□ 090C22 MDFKA□□ 090-22 60 |
| 71 | 488 | 3.6 | 3.444 | 194 | 9325 | 143 | 9325 | 272 | 488 | 4.33E-03 | GST09 - 1A □□□ 090C22 MDFKA□□ 090-22 60 |
| 97 | 360 | 2.8 | 4.667 | 263 | 9325 | 193 | 9325 | 289 | 360 | 4.06E-03 | GST09 - 1A □□□ 090C22 MDFKA□□ 090-22 60 |
| 118 | 296 | 2.4 | 5.667 | 319 | 9325 | 234 | 9325 | 299 | 296 | 3.95E-03 | GST09 - 1A □□□ 090C22 MDFKA□□ 090-22 60 |
| 154 | 229 | 1.9 | 7.333 | 413 | 9325 | 303 | 9325 | 310 | 229 | 3.83E-03 | GST09 - 1A □□□ 090C22 MDFKA□□ 090-22 60 |
| 187 | 189 | 1.6 | 8.900 | 472 | 9325 | 368 | 9325 | 315 | 189 | 3.77E-03 | GST09 - 1A □□□ 090C22 MDFKA□□ 090-22 60 |
| 37 | 1700 | 4.7 | 2.048 | 102 | 9326 | 90 | 9327 | 239 | 1109 | 5.16E-03 | GST09 - 1A □□□ 090C22 MDFKA□□ 090-22 120 |
| 42 | 1491 | 4.2 | 2.333 | 117 | 9326 | 103 | 9327 | 245 | 1042 | 4.82E-03 | GST09 - 1A □□□ 090C22 MDFKA□□ 090-22 120 |
| 51 | 1239 | 3.7 | 2.810 | 140 | 9326 | 123 | 9327 | 259 | 952 | 4.56E-03 | GST09 - 1A □□□ 090C22 MDFKA□□ 090-22 120 |
| 63 | 1010 | 3.2 | 3.444 | 172 | 9326 | 151 | 9327 | 272 | 818 | 4.33E-03 | GST09 - 1A □□□ 090C22 MDFKA□□ 090-22 120 |
| 86 | 746 | 2.5 | 4.667 | 233 | 9326 | 205 | 9327 | 289 | 667 | 4.06E-03 | GST09 - 1A □□□ 090C22 MDFKA□□ 090-22 120 |
| 105 | 614 | 2.1 | 5.667 | 283 | 9326 | 249 | 9327 | 299 | 549 | 3.95E-03 | GST09 - 1A □□□ 090C22 MDFKA□□ 090-22 120 |
| 136 | 475 | 1.7 | 7.333 | 366 | 9326 | 322 | 9327 | 310 | 424 | 3.83E-03 | GST09 - 1A □□□ 090C22 MDFKA□□ 090-22 120 |
| 166 | 391 | 1.4 | 8.900 | 445 | 9326 | 391 | 9327 | 315 | 350 | 3.77E-03 | GST09 - 1A □□□ 090C22 MDFKA□□ 090-22 120 |
| 54 | 1090 | 4.8 | 1.560 | 77 | 9325 | 93 | 9326 | 277 | 1090 | 9.42E-03 | GST09 - 1A □□□ 100C22 MDFKA□□ 100-22 60 |

Observe the notes for thermal dimensioning.

Selection tables - Helical gearboxes

Forced ventilated asynchronous geared servo motors



| M ₂ [Nm] | n _{2 trans} [rpm] | c | i | M _{2 max} short-time on geared motor at | | | | M _{2 Gr} gearbox c=1 n ₁ ≤ 1400 rpm [Nm] | n _{2 therm} [rpm] | J _{GM} referred to motor shaft [kgm ²] | Servo helical- geared motor Dimensions on Page 3-99 |
|------------------------|-------------------------------|------------|---------------|---|-------------|----------------------------|-------------|--|-------------------------------|---|--|
| | | | | 8 kHz | | 16 kHz | | | | | |
| | | | | M _{2 max} [Nm] | Type EVS | M _{2 max} [Nm] | Type EVS | | | | |
| 71 | 830 | 4.4 | 2.048 | 101 | 9325 | 122 | 9326 | 338 | 830 | 8.76E-03 | GST09 - 1A □□□ 100C22 MDFKA□□ 100-22 60 |
| 81 | 729 | 4.3 | 2.333 | 115 | 9325 | 139 | 9326 | 370 | 729 | 8.42E-03 | GST09 - 1A □□□ 100C22 MDFKA□□ 100-22 60 |
| 97 | 605 | 4.0 | 2.810 | 139 | 9325 | 167 | 9326 | 418 | 605 | 8.16E-03 | GST09 - 1A □□□ 100C22 MDFKA□□ 100-22 60 |
| 120 | 494 | 3.5 | 3.444 | 170 | 9325 | 205 | 9326 | 443 | 494 | 7.93E-03 | GST09 - 1A □□□ 100C22 MDFKA□□ 100-22 60 |
| 165 | 364 | 2.2 | 4.667 | 230 | 9325 | 278 | 9326 | 379 | 364 | 7.66E-03 | GST09 - 1A □□□ 100C22 MDFKA□□ 100-22 60 |
| 200 | 300 | 2.2 | 5.667 | 280 | 9325 | 338 | 9326 | 465 | 300 | 7.55E-03 | GST09 - 1A □□□ 100C22 MDFKA□□ 100-22 60 |
| 54 | 2250 | 3.8 | 1.560 | 104 | 9327 | 98 | 9328 | 277 | 1219 | 9.42E-03 | GST09 - 1A □□□ 100C22 MDFKA□□ 100-22 60 |
| 71 | 1714 | 3.5 | 2.048 | 136 | 9327 | 129 | 9328 | 338 | 1041 | 8.76E-03 | GST09 - 1A □□□ 100C22 MDFKA□□ 100-22 120 |
| 81 | 1504 | 3.4 | 2.333 | 155 | 9327 | 147 | 9328 | 370 | 991 | 8.42E-03 | GST09 - 1A □□□ 100C22 MDFKA□□ 100-22 120 |
| 97 | 1249 | 3.2 | 2.810 | 187 | 9327 | 177 | 9328 | 418 | 872 | 8.16E-03 | GST09 - 1A □□□ 100C22 MDFKA□□ 100-22 120 |
| 120 | 1019 | 2.7 | 3.444 | 229 | 9327 | 217 | 9328 | 443 | 711 | 7.93E-03 | GST09 - 1A □□□ 100C22 MDFKA□□ 100-22 120 |
| 164 | 752 | 1.7 | 4.667 | 311 | 9327 | 294 | 9328 | 379 | 525 | 7.66E-03 | GST09 - 1A □□□ 100C22 MDFKA□□ 100-22 120 |
| 199 | 619 | 1.7 | 5.667 | 377 | 9327 | 357 | 9328 | 465 | 432 | 7.55E-03 | GST09 - 1A □□□ 100C22 MDFKA□□ 100-22 120 |
| 93 | 1096 | 2.8 | 1.560 | 160 | 9326 | 210 | 9328 | 277 | 1096 | 2.02E-02 | GST09 - 1A □□□ 112C22 MDFKA□□ 112-22 60 |
| 122 | 835 | 2.6 | 2.048 | 210 | 9326 | 276 | 9328 | 338 | 835 | 1.96E-02 | GST09 - 1A □□□ 112C22 MDFKA□□ 112-22 60 |
| 139 | 733 | 2.5 | 2.333 | 239 | 9326 | 315 | 9328 | 370 | 733 | 1.92E-02 | GST09 - 1A □□□ 112C22 MDFKA□□ 112-22 60 |
| 168 | 609 | 2.4 | 2.810 | 288 | 9326 | 379 | 9328 | 418 | 609 | 1.90E-02 | GST09 - 1A □□□ 112C22 MDFKA□□ 112-22 60 |
| 206 | 496 | 2.0 | 3.444 | 353 | 9326 | 465 | 9328 | 443 | 496 | 1.87E-02 | GST09 - 1A □□□ 112C22 MDFKA□□ 112-22 60 |
| 83 | 2256 | 2.5 | 1.560 | 166 | 9328 | 205 | 9330 | 277 | 1101 | 2.02E-02 | GST09 - 1A □□□ 112C22 MDFKA□□ 112-22 120 |
| 109 | 1719 | 2.3 | 2.048 | 217 | 9328 | 270 | 9330 | 338 | 943 | 1.96E-02 | GST09 - 1A □□□ 112C22 MDFKA□□ 112-22 120 |
| 125 | 1509 | 2.2 | 2.333 | 248 | 9328 | 307 | 9330 | 370 | 863 | 1.92E-02 | GST09 - 1A □□□ 112C22 MDFKA□□ 112-22 120 |
| 151 | 1253 | 2.1 | 2.810 | 298 | 9328 | 370 | 9330 | 418 | 717 | 1.90E-02 | GST09 - 1A □□□ 112C22 MDFKA□□ 112-22 120 |
| 185 | 1022 | 1.8 | 3.444 | 365 | 9328 | 453 | 9330 | 443 | 585 | 1.87E-02 | GST09 - 1A □□□ 112C22 MDFKA□□ 112-22 120 |
| 231 | 80 | 4.5 | 20.533 | 590 | 9324 | 428 | 9324 | 1068 | 80 | 2.37E-03 | GST09 - 2A □□□ 080C22 MDFKA□□ 080-22 60 |
| 262 | 70 | 4.5 | 23.333 | 670 | 9324 | 487 | 9324 | 1214 | 70 | 2.36E-03 | GST09 - 2A □□□ 080C22 MDFKA□□ 080-22 60 |
| 282 | 66 | 3.8 | 24.933 | 716 | 9324 | 520 | 9324 | 1107 | 66 | 2.26E-03 | GST09 - 2A □□□ 080C22 MDFKA□□ 080-22 60 |
| 320 | 58 | 3.8 | 28.333 | 814 | 9324 | 591 | 9324 | 1258 | 58 | 2.25E-03 | GST09 - 2A □□□ 080C22 MDFKA□□ 080-22 60 |
| 368 | 51 | 3.1 | 32.267 | 927 | 9324 | 673 | 9324 | 1147 | 51 | 2.15E-03 | GST09 - 2A □□□ 080C22 MDFKA□□ 080-22 60 |
| 418 | 45 | 3.1 | 36.667 | 1053 | 9324 | 765 | 9324 | 1304 | 45 | 2.14E-03 | GST09 - 2A □□□ 080C22 MDFKA□□ 080-22 60 |
| 449 | 42 | 2.6 | 39.160 | 1125 | 9324 | 817 | 9324 | 1166 | 42 | 2.08E-03 | GST09 - 2A □□□ 080C22 MDFKA□□ 080-22 60 |
| 510 | 37 | 2.6 | 44.500 | 1278 | 9324 | 928 | 9324 | 1324 | 37 | 2.08E-03 | GST09 - 2A □□□ 080C22 MDFKA□□ 080-22 60 |
| 570 | 33 | 2.1 | 49.500 | 1422 | 9324 | 1033 | 9324 | 1184 | 33 | 2.03E-03 | GST09 - 2A □□□ 080C22 MDFKA□□ 080-22 60 |
| 648 | 29 | 2.1 | 56.250 | 1615 | 9324 | 1173 | 9324 | 1345 | 29 | 2.03E-03 | GST09 - 2A □□□ 080C22 MDFKA□□ 080-22 60 |
| 73 | 473 | 5.6 | 7.305 | 208 | 9325 | 150 | 9325 | 566 | 398 | 3.05E-03 | GST09 - 2A □□□ 080C22 MDFKA□□ 080-22 120 |

Observe the notes for thermal dimensioning.

Selection tables - Helical gearboxes

Forced ventilated asynchronous geared servo motors

| M ₂ [Nm] | n ₂ trans [rpm] | c | i | M ₂ max short-time on geared motor at | | | | M ₂ Gr gearbox c=1 n ₁ ≤ 1400 rpm [Nm] | n ₂ therm [rpm] | J _{GM} referred to motor shaft [kgm ²] | Servo helical- geared motor Dimensions on Page 3-99 |
|------------------------|-------------------------------|-----|--------|---|-------------|----------------------------|-------------|--|-------------------------------|---|--|
| | | | | 8 kHz | | 16 kHz | | | | | |
| | | | | M ₂ max [Nm] | Type EVS | M ₂ max [Nm] | Type EVS | | | | |
| 80 | 430 | 5.6 | 8.027 | 228 | 9325 | 165 | 9325 | 622 | 362 | 3.02E-03 | GST09 - 2A □□□ 080C22 MDFKA□□ 080-22 120 |
| 123 | 279 | 5.6 | 12.362 | 351 | 9325 | 254 | 9325 | 958 | 235 | 2.90E-03 | GST09 - 2A □□□ 080C22 MDFKA□□ 080-22 120 |
| 140 | 246 | 5.6 | 14.048 | 399 | 9325 | 289 | 9325 | 1088 | 207 | 2.87E-03 | GST09 - 2A □□□ 080C22 MDFKA□□ 080-22 120 |
| 208 | 168 | 4.3 | 20.533 | 584 | 9325 | 422 | 9325 | 1068 | 168 | 2.37E-03 | GST09 - 2A □□□ 080C22 MDFKA□□ 080-22 120 |
| 236 | 148 | 4.3 | 23.333 | 663 | 9325 | 480 | 9325 | 1214 | 148 | 2.36E-03 | GST09 - 2A □□□ 080C22 MDFKA□□ 080-22 120 |
| 254 | 139 | 3.6 | 24.933 | 709 | 9325 | 513 | 9325 | 1107 | 139 | 2.26E-03 | GST09 - 2A □□□ 080C22 MDFKA□□ 080-22 120 |
| 289 | 122 | 3.6 | 28.333 | 805 | 9325 | 583 | 9325 | 1258 | 122 | 2.25E-03 | GST09 - 2A □□□ 080C22 MDFKA□□ 080-22 120 |
| 331 | 107 | 2.9 | 32.267 | 917 | 9325 | 664 | 9325 | 1147 | 107 | 2.15E-03 | GST09 - 2A □□□ 080C22 MDFKA□□ 080-22 120 |
| 377 | 94 | 2.9 | 36.667 | 1042 | 9325 | 754 | 9325 | 1304 | 94 | 2.14E-03 | GST09 - 2A □□□ 080C22 MDFKA□□ 080-22 120 |
| 404 | 88 | 2.4 | 39.160 | 1113 | 9325 | 806 | 9325 | 1166 | 88 | 2.08E-03 | GST09 - 2A □□□ 080C22 MDFKA□□ 080-22 120 |
| 458 | 78 | 2.7 | 44.500 | 1265 | 9325 | 915 | 9325 | 1324 | 78 | 2.08E-03 | GST09 - 2A □□□ 080C22 MDFKA□□ 080-22 120 |
| 512 | 70 | 2.2 | 49.500 | 1407 | 9325 | 1018 | 9325 | 1184 | 70 | 2.03E-03 | GST09 - 2A □□□ 080C22 MDFKA□□ 080-22 120 |
| 582 | 61 | 2.2 | 56.250 | 1599 | 9325 | 1157 | 9325 | 1345 | 61 | 2.03E-03 | GST09 - 2A □□□ 080C22 MDFKA□□ 080-22 120 |
| 106 | 316 | 5.3 | 5.324 | 296 | 9325 | 217 | 9325 | 613 | 316 | 5.41E-03 | GST09 - 2A □□□ 090C22 MDFKA□□ 090-22 60 |
| 117 | 287 | 5.3 | 5.850 | 325 | 9325 | 238 | 9325 | 674 | 287 | 5.35E-03 | GST09 - 2A □□□ 090C22 MDFKA□□ 090-22 60 |
| 134 | 252 | 4.8 | 6.667 | 370 | 9325 | 272 | 9325 | 690 | 252 | 5.02E-03 | GST09 - 2A □□□ 090C22 MDFKA□□ 090-22 60 |
| 147 | 230 | 4.2 | 7.305 | 405 | 9325 | 298 | 9325 | 663 | 230 | 4.73E-03 | GST09 - 2A □□□ 090C22 MDFKA□□ 090-22 60 |
| 162 | 209 | 4.2 | 8.027 | 446 | 9325 | 327 | 9325 | 728 | 209 | 4.70E-03 | GST09 - 2A □□□ 090C22 MDFKA□□ 090-22 60 |
| 180 | 186 | 5.3 | 9.010 | 500 | 9325 | 367 | 9325 | 1037 | 186 | 5.12E-03 | GST09 - 2A □□□ 090C22 MDFKA□□ 090-22 60 |
| 206 | 164 | 4.8 | 10.267 | 570 | 9325 | 418 | 9325 | 1063 | 164 | 4.84E-03 | GST09 - 2A □□□ 090C22 MDFKA□□ 090-22 60 |
| 234 | 144 | 4.8 | 11.667 | 648 | 9325 | 475 | 9325 | 1206 | 144 | 4.81E-03 | GST09 - 2A □□□ 090C22 MDFKA□□ 090-22 60 |
| 249 | 136 | 4.2 | 12.362 | 686 | 9325 | 504 | 9325 | 1121 | 136 | 4.58E-03 | GST09 - 2A □□□ 090C22 MDFKA□□ 090-22 60 |
| 283 | 120 | 4.2 | 14.048 | 780 | 9325 | 572 | 9325 | 1274 | 120 | 4.55E-03 | GST09 - 2A □□□ 090C22 MDFKA□□ 090-22 60 |
| 307 | 111 | 3.7 | 15.156 | 841 | 9325 | 618 | 9325 | 1179 | 111 | 4.37E-03 | GST09 - 2A □□□ 090C22 MDFKA□□ 090-22 60 |
| 349 | 98 | 3.7 | 17.222 | 956 | 9325 | 702 | 9325 | 1340 | 98 | 4.35E-03 | GST09 - 2A □□□ 090C22 MDFKA□□ 090-22 60 |
| 420 | 82 | 2.9 | 20.533 | 1140 | 9325 | 837 | 9325 | 1251 | 82 | 4.05E-03 | GST09 - 2A □□□ 090C22 MDFKA□□ 090-22 60 |
| 477 | 72 | 2.9 | 23.333 | 1295 | 9325 | 951 | 9325 | 1421 | 72 | 4.04E-03 | GST09 - 2A □□□ 090C22 MDFKA□□ 090-22 60 |
| 512 | 67 | 2.5 | 24.933 | 1384 | 9325 | 1016 | 9325 | 1296 | 67 | 3.94E-03 | GST09 - 2A □□□ 090C22 MDFKA□□ 090-22 60 |
| 582 | 59 | 2.5 | 28.333 | 1572 | 9325 | 1155 | 9325 | 1472 | 59 | 3.93E-03 | GST09 - 2A □□□ 090C22 MDFKA□□ 090-22 60 |
| 666 | 52 | 2.0 | 32.267 | 1791 | 9325 | 1315 | 9325 | 1343 | 52 | 3.83E-03 | GST09 - 2A □□□ 090C22 MDFKA□□ 090-22 60 |
| 757 | 46 | 2.0 | 36.667 | 2035 | 9325 | 1494 | 9325 | 1526 | 46 | 3.82E-03 | GST09 - 2A □□□ 090C22 MDFKA□□ 090-22 60 |
| 811 | 43 | 1.7 | 39.160 | 2046 | 9325 | 1596 | 9325 | 1364 | 43 | 3.76E-03 | GST09 - 2A □□□ 090C22 MDFKA□□ 090-22 60 |
| 922 | 38 | 1.7 | 44.500 | 2319 | 9325 | 1813 | 9325 | 1546 | 38 | 3.76E-03 | GST09 - 2A □□□ 090C22 MDFKA□□ 090-22 60 |
| 94 | 654 | 4.7 | 5.324 | 262 | 9326 | 230 | 9327 | 613 | 426 | 5.41E-03 | GST09 - 2A □□□ 090C22 MDFKA□□ 090-22 120 |

Observe the notes for thermal dimensioning.

Selection tables - Helical gearboxes

Forced ventilated asynchronous geared servo motors



| M ₂ [Nm] | n _{2 trans} [rpm] | c | i | M _{2 max} short-time on geared motor at | | | | M _{2 Gr} gearbox c=1 n ₁ ≤ 1400 rpm [Nm] | n _{2 therm} [rpm] | J _{GM} referred to motor shaft [kgm ²] | Servo helical-geared motor Dimensions on Page 3-99 |
|------------------------|-------------------------------|-----|--------|--|-------------|----------------------------|-------------|---|-------------------------------|--|---|
| | | | | 8 kHz | | 16 kHz | | | | | |
| | | | | M _{2 max} [Nm] | Type EVS | M _{2 max} [Nm] | Type EVS | | | | |
| 104 | 595 | 4.7 | 5.850 | 288 | 9326 | 253 | 9327 | 674 | 388 | 5.35E-03 | GST09 - 2A □□□ 090C22 MDFKA□□ 090-22 120 |
| 119 | 522 | 4.2 | 6.667 | 328 | 9326 | 289 | 9327 | 690 | 365 | 5.02E-03 | GST09 - 2A □□□ 090C22 MDFKA□□ 090-22 120 |
| 131 | 476 | 3.7 | 7.305 | 359 | 9326 | 316 | 9327 | 663 | 366 | 4.73E-03 | GST09 - 2A □□□ 090C22 MDFKA□□ 090-22 120 |
| 144 | 434 | 3.7 | 8.027 | 395 | 9326 | 347 | 9327 | 728 | 333 | 4.70E-03 | GST09 - 2A □□□ 090C22 MDFKA□□ 090-22 120 |
| 160 | 386 | 4.7 | 9.010 | 443 | 9326 | 390 | 9327 | 1037 | 252 | 5.12E-03 | GST09 - 2A □□□ 090C22 MDFKA□□ 090-22 120 |
| 183 | 339 | 4.2 | 10.267 | 505 | 9326 | 444 | 9327 | 1063 | 237 | 4.84E-03 | GST09 - 2A □□□ 090C22 MDFKA□□ 090-22 120 |
| 208 | 298 | 4.2 | 11.667 | 574 | 9326 | 505 | 9327 | 1206 | 208 | 4.81E-03 | GST09 - 2A □□□ 090C22 MDFKA□□ 090-22 120 |
| 222 | 282 | 3.7 | 12.362 | 608 | 9326 | 535 | 9327 | 1121 | 216 | 4.58E-03 | GST09 - 2A □□□ 090C22 MDFKA□□ 090-22 120 |
| 252 | 248 | 3.7 | 14.048 | 691 | 9326 | 608 | 9327 | 1274 | 190 | 4.55E-03 | GST09 - 2A □□□ 090C22 MDFKA□□ 090-22 120 |
| 272 | 230 | 3.6 | 15.156 | 746 | 9326 | 656 | 9327 | 1179 | 191 | 4.37E-03 | GST09 - 2A □□□ 090C22 MDFKA□□ 090-22 120 |
| 309 | 202 | 3.6 | 17.222 | 847 | 9326 | 745 | 9327 | 1340 | 168 | 4.35E-03 | GST09 - 2A □□□ 090C22 MDFKA□□ 090-22 120 |
| 371 | 169 | 2.8 | 20.533 | 1010 | 9326 | 889 | 9327 | 1251 | 152 | 4.05E-03 | GST09 - 2A □□□ 090C22 MDFKA□□ 090-22 120 |
| 422 | 149 | 2.8 | 23.333 | 1148 | 9326 | 1010 | 9327 | 1421 | 133 | 4.04E-03 | GST09 - 2A □□□ 090C22 MDFKA□□ 090-22 120 |
| 453 | 140 | 2.4 | 24.933 | 1227 | 9326 | 1079 | 9327 | 1296 | 125 | 3.94E-03 | GST09 - 2A □□□ 090C22 MDFKA□□ 090-22 120 |
| 515 | 123 | 2.4 | 28.333 | 1394 | 9326 | 1226 | 9327 | 1472 | 110 | 3.93E-03 | GST09 - 2A □□□ 090C22 MDFKA□□ 090-22 120 |
| 589 | 108 | 1.9 | 32.267 | 1587 | 9326 | 1396 | 9327 | 1343 | 96 | 3.83E-03 | GST09 - 2A □□□ 090C22 MDFKA□□ 090-22 120 |
| 669 | 95 | 1.9 | 36.667 | 1804 | 9326 | 1587 | 9327 | 1526 | 85 | 3.82E-03 | GST09 - 2A □□□ 090C22 MDFKA□□ 090-22 120 |
| 717 | 89 | 1.6 | 39.160 | 1926 | 9326 | 1695 | 9327 | 1364 | 79 | 3.76E-03 | GST09 - 2A □□□ 090C22 MDFKA□□ 090-22 120 |
| 814 | 78 | 1.8 | 44.500 | 2189 | 9326 | 1926 | 9327 | 1546 | 70 | 3.76E-03 | GST09 - 2A □□□ 090C22 MDFKA□□ 090-22 120 |
| 136 | 419 | 5.9 | 4.056 | 197 | 9325 | 238 | 9326 | 878 | 419 | 9.90E-03 | GST09 - 2A □□□ 100C22 MDFKA□□ 100-22 60 |
| 149 | 381 | 5.7 | 4.457 | 217 | 9325 | 262 | 9326 | 931 | 381 | 9.79E-03 | GST09 - 2A □□□ 100C22 MDFKA□□ 100-22 60 |
| 180 | 319 | 5.1 | 5.324 | 259 | 9325 | 313 | 9326 | 993 | 319 | 9.01E-03 | GST09 - 2A □□□ 100C22 MDFKA□□ 100-22 60 |
| 198 | 291 | 4.7 | 5.850 | 284 | 9325 | 343 | 9326 | 1020 | 291 | 8.95E-03 | GST09 - 2A □□□ 100C22 MDFKA□□ 100-22 60 |
| 227 | 255 | 4.4 | 6.667 | 324 | 9325 | 391 | 9326 | 1065 | 255 | 8.62E-03 | GST09 - 2A □□□ 100C22 MDFKA□□ 100-22 60 |
| 249 | 233 | 4.1 | 7.305 | 355 | 9325 | 429 | 9326 | 1103 | 233 | 8.33E-03 | GST09 - 2A □□□ 100C22 MDFKA□□ 100-22 60 |
| 274 | 212 | 3.8 | 8.027 | 390 | 9325 | 471 | 9326 | 1133 | 212 | 8.30E-03 | GST09 - 2A □□□ 100C22 MDFKA□□ 100-22 60 |
| 309 | 189 | 3.4 | 9.010 | 438 | 9325 | 529 | 9326 | 1128 | 189 | 8.72E-03 | GST09 - 2A □□□ 100C22 MDFKA□□ 100-22 60 |
| 354 | 166 | 3.1 | 10.267 | 499 | 9325 | 603 | 9326 | 1178 | 166 | 8.44E-03 | GST09 - 2A □□□ 100C22 MDFKA□□ 100-22 60 |
| 403 | 146 | 2.8 | 11.667 | 567 | 9325 | 685 | 9326 | 1206 | 146 | 8.41E-03 | GST09 - 2A □□□ 100C22 MDFKA□□ 100-22 60 |
| 427 | 138 | 2.8 | 12.362 | 601 | 9325 | 726 | 9326 | 1253 | 138 | 8.18E-03 | GST09 - 2A □□□ 100C22 MDFKA□□ 100-22 60 |
| 487 | 121 | 2.5 | 14.048 | 683 | 9325 | 825 | 9326 | 1283 | 121 | 8.15E-03 | GST09 - 2A □□□ 100C22 MDFKA□□ 100-22 60 |
| 525 | 112 | 2.5 | 15.156 | 737 | 9325 | 890 | 9326 | 1340 | 112 | 7.97E-03 | GST09 - 2A □□□ 100C22 MDFKA□□ 100-22 60 |
| 599 | 99 | 2.3 | 17.222 | 837 | 9325 | 1011 | 9326 | 1373 | 99 | 7.95E-03 | GST09 - 2A □□□ 100C22 MDFKA□□ 100-22 60 |
| 715 | 83 | 2.1 | 20.533 | 998 | 9325 | 1205 | 9326 | 1484 | 83 | 7.65E-03 | GST09 - 2A □□□ 100C22 MDFKA□□ 100-22 60 |

Observe the notes for thermal dimensioning.

Selection tables - Helical gearboxes

Forced ventilated asynchronous geared servo motors

| M ₂ [Nm] | n ₂ trans [rpm] | c | i | M ₂ max short-time on geared motor at | | | | M ₂ Gr gearbox c=1 n ₁ ≤ 1400 rpm [Nm] | n ₂ therm [rpm] | J _{GM} referred to motor shaft [kgm ²] | Servo helical- geared motor Dimensions on Page 3-99 |
|------------------------|-------------------------------|-----|--------|---|-------------|----------------------------|-------------|--|-------------------------------|---|--|
| | | | | 8 kHz | | 16 kHz | | | | | |
| | | | | M ₂ max [Nm] | Type EVS | M ₂ max [Nm] | Type EVS | | | | |
| 815 | 73 | 1.8 | 23.333 | 1134 | 9325 | 1370 | 9326 | 1508 | 73 | 7.64E-03 | GST09 - 2A □□□ 100C22 MDFKA□□ 100-22 60 |
| 871 | 68 | 1.8 | 24.933 | 1212 | 9325 | 1464 | 9326 | 1582 | 68 | 7.54E-03 | GST09 - 2A □□□ 100C22 MDFKA□□ 100-22 60 |
| 993 | 60 | 1.5 | 28.333 | 1377 | 9325 | 1663 | 9326 | 1519 | 60 | 7.53E-03 | GST09 - 2A □□□ 100C22 MDFKA□□ 100-22 60 |
| 136 | 865 | 4.7 | 4.056 | 266 | 9327 | 252 | 9328 | 878 | 492 | 9.90E-03 | GST09 - 2A □□□ 100C22 MDFKA□□ 100-22 120 |
| 150 | 788 | 4.5 | 4.457 | 292 | 9327 | 277 | 9328 | 931 | 444 | 9.79E-03 | GST09 - 2A □□□ 100C22 MDFKA□□ 100-22 120 |
| 180 | 659 | 4.0 | 5.324 | 349 | 9327 | 331 | 9328 | 993 | 412 | 9.01E-03 | GST09 - 2A □□□ 100C22 MDFKA□□ 100-22 120 |
| 199 | 600 | 3.8 | 5.850 | 384 | 9327 | 363 | 9328 | 1020 | 370 | 8.95E-03 | GST09 - 2A □□□ 100C22 MDFKA□□ 100-22 120 |
| 227 | 527 | 3.4 | 6.667 | 437 | 9327 | 414 | 9328 | 1065 | 349 | 8.62E-03 | GST09 - 2A □□□ 100C22 MDFKA□□ 100-22 120 |
| 249 | 481 | 3.3 | 7.305 | 479 | 9327 | 454 | 9328 | 1103 | 335 | 8.33E-03 | GST09 - 2A □□□ 100C22 MDFKA□□ 100-22 120 |
| 274 | 437 | 3.0 | 8.027 | 527 | 9327 | 498 | 9328 | 1133 | 305 | 8.30E-03 | GST09 - 2A □□□ 100C22 MDFKA□□ 100-22 120 |
| 309 | 390 | 2.7 | 9.010 | 591 | 9327 | 559 | 9328 | 1128 | 223 | 8.72E-03 | GST09 - 2A □□□ 100C22 MDFKA□□ 100-22 120 |
| 353 | 342 | 2.5 | 10.267 | 673 | 9327 | 638 | 9328 | 1178 | 210 | 8.44E-03 | GST09 - 2A □□□ 100C22 MDFKA□□ 100-22 120 |
| 402 | 301 | 2.2 | 11.667 | 765 | 9327 | 724 | 9328 | 1206 | 180 | 8.41E-03 | GST09 - 2A □□□ 100C22 MDFKA□□ 100-22 120 |
| 427 | 284 | 2.2 | 12.362 | 811 | 9327 | 768 | 9328 | 1253 | 192 | 8.18E-03 | GST09 - 2A □□□ 100C22 MDFKA□□ 100-22 120 |
| 486 | 250 | 2.0 | 14.048 | 921 | 9327 | 872 | 9328 | 1283 | 165 | 8.15E-03 | GST09 - 2A □□□ 100C22 MDFKA□□ 100-22 120 |
| 523 | 232 | 2.2 | 15.156 | 994 | 9327 | 941 | 9328 | 1340 | 162 | 7.97E-03 | GST09 - 2A □□□ 100C22 MDFKA□□ 100-22 120 |
| 596 | 204 | 2.0 | 17.222 | 1130 | 9327 | 1069 | 9328 | 1373 | 142 | 7.95E-03 | GST09 - 2A □□□ 100C22 MDFKA□□ 100-22 120 |
| 711 | 171 | 1.8 | 20.533 | 1347 | 9327 | 1275 | 9328 | 1484 | 119 | 7.65E-03 | GST09 - 2A □□□ 100C22 MDFKA□□ 100-22 120 |
| 810 | 150 | 1.6 | 23.333 | 1530 | 9327 | 1449 | 9328 | 1508 | 105 | 7.64E-03 | GST09 - 2A □□□ 100C22 MDFKA□□ 100-22 120 |
| 866 | 141 | 1.6 | 24.933 | 1635 | 9327 | 1548 | 9328 | 1582 | 98 | 7.54E-03 | GST09 - 2A □□□ 100C22 MDFKA□□ 100-22 120 |
| 986 | 124 | 1.3 | 28.333 | 1858 | 9327 | 1759 | 9328 | 1519 | 86 | 7.53E-03 | GST09 - 2A □□□ 100C22 MDFKA□□ 100-22 120 |
| 235 | 422 | 3.5 | 4.056 | 410 | 9326 | 539 | 9328 | 878 | 422 | 2.07E-02 | GST09 - 2A □□□ 112C22 MDFKA□□ 112-22 60 |
| 259 | 384 | 3.4 | 4.457 | 450 | 9326 | 592 | 9328 | 931 | 384 | 2.06E-02 | GST09 - 2A □□□ 112C22 MDFKA□□ 112-22 60 |
| 311 | 321 | 3.0 | 5.324 | 538 | 9326 | 707 | 9328 | 993 | 321 | 1.98E-02 | GST09 - 2A □□□ 112C22 MDFKA□□ 112-22 60 |
| 342 | 292 | 2.8 | 5.850 | 591 | 9326 | 777 | 9328 | 1020 | 292 | 1.98E-02 | GST09 - 2A □□□ 112C22 MDFKA□□ 112-22 60 |
| 391 | 257 | 2.6 | 6.667 | 673 | 9326 | 886 | 9328 | 1065 | 257 | 1.94E-02 | GST09 - 2A □□□ 112C22 MDFKA□□ 112-22 60 |
| 429 | 234 | 2.4 | 7.305 | 738 | 9326 | 970 | 9328 | 1103 | 234 | 1.91E-02 | GST09 - 2A □□□ 112C22 MDFKA□□ 112-22 60 |
| 472 | 213 | 2.3 | 8.027 | 811 | 9326 | 1066 | 9328 | 1133 | 213 | 1.91E-02 | GST09 - 2A □□□ 112C22 MDFKA□□ 112-22 60 |
| 531 | 190 | 2.0 | 9.010 | 910 | 9326 | 1197 | 9328 | 1128 | 190 | 1.95E-02 | GST09 - 2A □□□ 112C22 MDFKA□□ 112-22 60 |
| 606 | 167 | 1.8 | 10.267 | 1037 | 9326 | 1364 | 9328 | 1178 | 167 | 1.92E-02 | GST09 - 2A □□□ 112C22 MDFKA□□ 112-22 60 |
| 690 | 147 | 1.7 | 11.667 | 1178 | 9326 | 1550 | 9328 | 1206 | 147 | 1.92E-02 | GST09 - 2A □□□ 112C22 MDFKA□□ 112-22 60 |
| 732 | 138 | 1.6 | 12.362 | 1249 | 9326 | 1642 | 9328 | 1253 | 138 | 1.90E-02 | GST09 - 2A □□□ 112C22 MDFKA□□ 112-22 60 |
| 833 | 122 | 1.5 | 14.048 | 1419 | 9326 | 1866 | 9328 | 1283 | 122 | 1.90E-02 | GST09 - 2A □□□ 112C22 MDFKA□□ 112-22 60 |
| 898 | 113 | 1.5 | 15.156 | 1531 | 9326 | 2010 | 9328 | 1340 | 113 | 1.88E-02 | GST09 - 2A □□□ 112C22 MDFKA□□ 112-22 60 |

Observe the notes for thermal dimensioning.

Selection tables - Helical gearboxes

Forced ventilated asynchronous geared servo motors



| M ₂ [Nm] | n _{2 trans} [rpm] | c | i | M _{2 max} short-time on geared motor at | | | | M _{2 Gr} gearbox c=1 n ₁ ≤ 1400 rpm [Nm] | n _{2 therm} [rpm] | J _{GM} referred to motor shaft [kgm ²] | Servo helical-geared motor Dimensions on Page 3-99 |
|------------------------|-------------------------------|------------|---------------|--|-------------|----------------------------|-------------|---|-------------------------------|--|---|
| | | | | 8 kHz | | 16 kHz | | | | | |
| | | | | M _{2 max} [Nm] | Type EVS | M _{2 max} [Nm] | Type EVS | | | | |
| 1022 | 99 | 1.3 | 17.222 | 1740 | 9326 | 2059 | 9328 | 1373 | 99 | 1.87E-02 | GST09 - 2A □□□ 112C22 MDFKA□□ 112-22 60 |
| 212 | 868 | 3.1 | 4.056 | 424 | 9328 | 526 | 9330 | 878 | 446 | 2.07E-02 | GST09 - 2A □□□ 112C22 MDFKA□□ 112-22 120 |
| 233 | 790 | 2.9 | 4.457 | 466 | 9328 | 578 | 9330 | 931 | 403 | 2.06E-02 | GST09 - 2A □□□ 112C22 MDFKA□□ 112-22 120 |
| 279 | 661 | 2.6 | 5.324 | 556 | 9328 | 690 | 9330 | 993 | 375 | 1.98E-02 | GST09 - 2A □□□ 112C22 MDFKA□□ 112-22 120 |
| 307 | 602 | 2.5 | 5.850 | 611 | 9328 | 758 | 9330 | 1020 | 336 | 1.98E-02 | GST09 - 2A □□□ 112C22 MDFKA□□ 112-22 120 |
| 351 | 528 | 2.3 | 6.667 | 697 | 9328 | 864 | 9330 | 1065 | 302 | 1.94E-02 | GST09 - 2A □□□ 112C22 MDFKA□□ 112-22 120 |
| 385 | 482 | 2.1 | 7.305 | 763 | 9328 | 947 | 9330 | 1103 | 276 | 1.91E-02 | GST09 - 2A □□□ 112C22 MDFKA□□ 112-22 120 |
| 424 | 439 | 2.0 | 8.027 | 839 | 9328 | 1041 | 9330 | 1133 | 251 | 1.91E-02 | GST09 - 2A □□□ 112C22 MDFKA□□ 112-22 120 |
| 477 | 391 | 1.8 | 9.010 | 941 | 9328 | 1168 | 9330 | 1128 | 194 | 1.95E-02 | GST09 - 2A □□□ 112C22 MDFKA□□ 112-22 120 |
| 544 | 343 | 1.6 | 10.267 | 1073 | 9328 | 1331 | 9330 | 1178 | 177 | 1.92E-02 | GST09 - 2A □□□ 112C22 MDFKA□□ 112-22 120 |
| 620 | 302 | 1.5 | 11.667 | 1219 | 9328 | 1512 | 9330 | 1206 | 147 | 1.92E-02 | GST09 - 2A □□□ 112C22 MDFKA□□ 112-22 120 |
| 657 | 285 | 1.4 | 12.362 | 1292 | 9328 | 1602 | 9330 | 1253 | 155 | 1.90E-02 | GST09 - 2A □□□ 112C22 MDFKA□□ 112-22 120 |
| 747 | 251 | 1.3 | 14.048 | 1468 | 9328 | 1821 | 9330 | 1283 | 129 | 1.90E-02 | GST09 - 2A □□□ 112C22 MDFKA□□ 112-22 120 |
| 805 | 232 | 1.4 | 15.156 | 1584 | 9328 | 1965 | 9330 | 1340 | 133 | 1.88E-02 | GST09 - 2A □□□ 112C22 MDFKA□□ 112-22 120 |
| 916 | 204 | 1.3 | 17.222 | 1800 | 9328 | 2059 | 9330 | 1373 | 117 | 1.87E-02 | GST09 - 2A □□□ 112C22 MDFKA□□ 112-22 120 |
| 232 | 85 | 4.8 | 40.136 | 499 | 9324 | 729 | 9325 | 1344 | 85 | 1.04E-03 | GST09 - 3A □□□ 071C22 MDFKA□□ 071-22 120 |
| 250 | 79 | 4.7 | 43.267 | 538 | 9324 | 786 | 9325 | 1290 | 79 | 9.85E-04 | GST09 - 3A □□□ 071C22 MDFKA□□ 071-22 120 |
| 284 | 69 | 4.7 | 49.167 | 611 | 9324 | 893 | 9325 | 1466 | 69 | 9.83E-04 | GST09 - 3A □□□ 071C22 MDFKA□□ 071-22 120 |
| 309 | 64 | 4.1 | 53.044 | 659 | 9324 | 963 | 9325 | 1379 | 64 | 9.68E-04 | GST09 - 3A □□□ 071C22 MDFKA□□ 071-22 120 |
| 351 | 57 | 4.1 | 60.278 | 749 | 9324 | 1095 | 9325 | 1565 | 57 | 9.67E-04 | GST09 - 3A □□□ 071C22 MDFKA□□ 071-22 120 |
| 422 | 47 | 3.3 | 71.867 | 893 | 9324 | 1305 | 9325 | 1477 | 47 | 9.47E-04 | GST09 - 3A □□□ 071C22 MDFKA□□ 071-22 120 |
| 481 | 42 | 3.1 | 81.667 | 1015 | 9324 | 1483 | 9325 | 1584 | 42 | 9.46E-04 | GST09 - 3A □□□ 071C22 MDFKA□□ 071-22 120 |
| 553 | 36 | 2.7 | 93.541 | 1162 | 9324 | 1699 | 9325 | 1613 | 36 | 9.01E-04 | GST09 - 3A □□□ 071C22 MDFKA□□ 071-22 120 |
| 587 | 34 | 2.6 | 99.167 | 1232 | 9324 | 1801 | 9325 | 1596 | 34 | 9.37E-04 | GST09 - 3A □□□ 071C22 MDFKA□□ 071-22 120 |
| 675 | 30 | 2.3 | 113.585 | 1411 | 9324 | 2063 | 9325 | 1613 | 30 | 8.95E-04 | GST09 - 3A □□□ 071C22 MDFKA□□ 071-22 120 |
| 769 | 26 | 2.0 | 129.074 | 1604 | 9324 | 2344 | 9325 | 1612 | 26 | 8.95E-04 | GST09 - 3A □□□ 071C22 MDFKA□□ 071-22 120 |
| 843 | 24 | 1.8 | 141.289 | 1755 | 9324 | 2420 | 9325 | 1613 | 24 | 8.76E-04 | GST09 - 3A □□□ 071C22 MDFKA□□ 071-22 120 |
| 961 | 21 | 1.6 | 160.556 | 1995 | 9324 | 2435 | 9325 | 1623 | 21 | 8.76E-04 | GST09 - 3A □□□ 071C22 MDFKA□□ 071-22 120 |
| 1096 | 19 | 1.4 | 182.844 | 2272 | 9324 | 2420 | 9325 | 1613 | 19 | 8.60E-04 | GST09 - 3A □□□ 071C22 MDFKA□□ 071-22 120 |
| 1248 | 16 | 1.2 | 207.778 | 2435 | 9324 | 2435 | 9325 | 1623 | 16 | 8.60E-04 | GST09 - 3A □□□ 071C22 MDFKA□□ 071-22 120 |
| 1423 | 14 | 1.1 | 236.622 | 2420 | 9324 | 2420 | 9325 | 1613 | 14 | 8.58E-04 | GST09 - 3A □□□ 071C22 MDFKA□□ 071-22 120 |
| 1518 | 14 | 1.0 | 252.167 | 2435 | 9324 | 2435 | 9325 | 1623 | 14 | 8.51E-04 | GST09 - 3A □□□ 071C22 MDFKA□□ 071-22 120 |
| 451 | 41 | 2.9 | 40.136 | 1135 | 9324 | 825 | 9324 | 1344 | 41 | 2.13E-03 | GST09 - 3A □□□ 080C22 MDFKA□□ 080-22 60 |
| 488 | 38 | 2.6 | 43.267 | 1224 | 9324 | 889 | 9324 | 1290 | 38 | 2.08E-03 | GST09 - 3A □□□ 080C22 MDFKA□□ 080-22 60 |

Observe the notes for thermal dimensioning.

Selection tables - Helical gearboxes

Forced ventilated asynchronous geared servo motors

| M ₂ [Nm] | n ₂ trans [rpm] | c | i | M ₂ max short-time on geared motor at | | | | M ₂ Gr gearbox c=1 n ₁ ≤ 1400 rpm [Nm] | n ₂ therm [rpm] | J _{GM} referred to motor shaft [kgm ²] | Servo helical- geared motor Dimensions on Page 3-99 |
|------------------------|-------------------------------|-----|---------|---|-------------|----------------------------|-------------|--|-------------------------------|---|--|
| | | | | 8 kHz | | 16 kHz | | | | | |
| | | | | M ₂ max [Nm] | Type EVS | M ₂ max [Nm] | Type EVS | | | | |
| 554 | 33 | 2.6 | 49.167 | 1391 | 9324 | 1010 | 9324 | 1466 | 33 | 2.07E-03 | GST09 - 3A □□□ 080C22 MDFKA□□ 080-22 60 |
| 600 | 31 | 2.3 | 53.044 | 1501 | 9324 | 1090 | 9324 | 1379 | 31 | 2.06E-03 | GST09 - 3A □□□ 080C22 MDFKA□□ 080-22 60 |
| 682 | 27 | 2.3 | 60.278 | 1705 | 9324 | 1239 | 9324 | 1565 | 27 | 2.06E-03 | GST09 - 3A □□□ 080C22 MDFKA□□ 080-22 60 |
| 817 | 23 | 1.8 | 71.867 | 2033 | 9324 | 1477 | 9324 | 1477 | 23 | 2.04E-03 | GST09 - 3A □□□ 080C22 MDFKA□□ 080-22 60 |
| 930 | 20 | 1.7 | 81.667 | 2310 | 9324 | 1678 | 9324 | 1584 | 20 | 2.04E-03 | GST09 - 3A □□□ 080C22 MDFKA□□ 080-22 60 |
| 1067 | 17 | 1.5 | 93.541 | 2420 | 9324 | 1922 | 9324 | 1613 | 17 | 1.99E-03 | GST09 - 3A □□□ 080C22 MDFKA□□ 080-22 60 |
| 1132 | 16 | 1.4 | 99.167 | 2394 | 9324 | 2038 | 9324 | 1596 | 16 | 2.03E-03 | GST09 - 3A □□□ 080C22 MDFKA□□ 080-22 60 |
| 1299 | 14 | 1.2 | 113.585 | 2420 | 9324 | 2334 | 9324 | 1613 | 14 | 1.99E-03 | GST09 - 3A □□□ 080C22 MDFKA□□ 080-22 60 |
| 1479 | 13 | 1.1 | 129.074 | 2418 | 9324 | 2418 | 9324 | 1612 | 13 | 1.98E-03 | GST09 - 3A □□□ 080C22 MDFKA□□ 080-22 60 |
| 406 | 86 | 2.8 | 40.136 | 1124 | 9325 | 813 | 9325 | 1344 | 86 | 2.13E-03 | GST09 - 3A □□□ 080C22 MDFKA□□ 080-22 120 |
| 438 | 80 | 2.8 | 43.267 | 1212 | 9325 | 877 | 9325 | 1290 | 80 | 2.08E-03 | GST09 - 3A □□□ 080C22 MDFKA□□ 080-22 120 |
| 498 | 70 | 2.8 | 49.167 | 1377 | 9325 | 996 | 9325 | 1466 | 70 | 2.07E-03 | GST09 - 3A □□□ 080C22 MDFKA□□ 080-22 120 |
| 539 | 65 | 2.4 | 53.044 | 1485 | 9325 | 1075 | 9325 | 1379 | 65 | 2.06E-03 | GST09 - 3A □□□ 080C22 MDFKA□□ 080-22 120 |
| 613 | 57 | 2.4 | 60.278 | 1688 | 9325 | 1221 | 9325 | 1565 | 57 | 2.06E-03 | GST09 - 3A □□□ 080C22 MDFKA□□ 080-22 120 |
| 735 | 48 | 1.9 | 71.867 | 2012 | 9325 | 1456 | 9325 | 1477 | 48 | 2.04E-03 | GST09 - 3A □□□ 080C22 MDFKA□□ 080-22 120 |
| 836 | 42 | 1.8 | 81.667 | 2287 | 9325 | 1655 | 9325 | 1584 | 42 | 2.04E-03 | GST09 - 3A □□□ 080C22 MDFKA□□ 080-22 120 |
| 959 | 37 | 1.6 | 93.541 | 2420 | 9325 | 1895 | 9325 | 1613 | 37 | 1.99E-03 | GST09 - 3A □□□ 080C22 MDFKA□□ 080-22 120 |
| 1018 | 35 | 1.5 | 99.167 | 2394 | 9325 | 2009 | 9325 | 1596 | 35 | 2.03E-03 | GST09 - 3A □□□ 080C22 MDFKA□□ 080-22 120 |
| 1169 | 30 | 1.3 | 113.585 | 2420 | 9325 | 2301 | 9325 | 1613 | 30 | 1.99E-03 | GST09 - 3A □□□ 080C22 MDFKA□□ 080-22 120 |
| 1330 | 27 | 1.2 | 129.074 | 2418 | 9325 | 2418 | 9325 | 1612 | 27 | 1.98E-03 | GST09 - 3A □□□ 080C22 MDFKA□□ 080-22 120 |
| 1457 | 24 | 1.1 | 141.289 | 2420 | 9325 | 2420 | 9325 | 1613 | 24 | 1.97E-03 | GST09 - 3A □□□ 080C22 MDFKA□□ 080-22 120 |
| 819 | 42 | 1.6 | 40.136 | 2016 | 9325 | 1611 | 9325 | 1344 | 42 | 3.81E-03 | GST09 - 3A □□□ 090C22 MDFKA□□ 090-22 60 |
| 885 | 39 | 1.5 | 43.267 | 1935 | 9325 | 1737 | 9325 | 1290 | 39 | 3.76E-03 | GST09 - 3A □□□ 090C22 MDFKA□□ 090-22 60 |
| 1005 | 34 | 1.5 | 49.167 | 2198 | 9325 | 1974 | 9325 | 1466 | 34 | 3.75E-03 | GST09 - 3A □□□ 090C22 MDFKA□□ 090-22 60 |
| 1087 | 32 | 1.3 | 53.044 | 2069 | 9325 | 2069 | 9325 | 1379 | 32 | 3.74E-03 | GST09 - 3A □□□ 090C22 MDFKA□□ 090-22 60 |
| 1235 | 28 | 1.3 | 60.278 | 2347 | 9325 | 2347 | 9325 | 1565 | 28 | 3.74E-03 | GST09 - 3A □□□ 090C22 MDFKA□□ 090-22 60 |
| 1477 | 23 | 1.0 | 71.867 | 2215 | 9325 | 2215 | 9325 | 1477 | 23 | 3.72E-03 | GST09 - 3A □□□ 090C22 MDFKA□□ 090-22 60 |
| 724 | 87 | 1.6 | 40.136 | 1945 | 9326 | 1711 | 9327 | 1344 | 78 | 3.81E-03 | GST09 - 3A □□□ 090C22 MDFKA□□ 090-22 120 |
| 781 | 80 | 1.6 | 43.267 | 1935 | 9326 | 1844 | 9327 | 1290 | 72 | 3.76E-03 | GST09 - 3A □□□ 090C22 MDFKA□□ 090-22 120 |
| 888 | 71 | 1.6 | 49.167 | 2198 | 9326 | 2096 | 9327 | 1466 | 63 | 3.75E-03 | GST09 - 3A □□□ 090C22 MDFKA□□ 090-22 120 |
| 960 | 66 | 1.4 | 53.044 | 2069 | 9326 | 2069 | 9327 | 1379 | 59 | 3.74E-03 | GST09 - 3A □□□ 090C22 MDFKA□□ 090-22 120 |
| 1090 | 58 | 1.4 | 60.278 | 2347 | 9326 | 2347 | 9327 | 1565 | 52 | 3.74E-03 | GST09 - 3A □□□ 090C22 MDFKA□□ 090-22 120 |
| 1304 | 48 | 1.1 | 71.867 | 2215 | 9326 | 2215 | 9327 | 1477 | 43 | 3.72E-03 | GST09 - 3A □□□ 090C22 MDFKA□□ 090-22 120 |
| 1483 | 43 | 1.0 | 81.667 | 2375 | 9326 | 2375 | 9327 | 1584 | 38 | 3.72E-03 | GST09 - 3A □□□ 090C22 MDFKA□□ 090-22 120 |

Observe the notes for thermal dimensioning.

Selection tables - Helical gearboxes

Forced ventilated asynchronous geared servo motors



| M ₂ [Nm] | n _{2 trans} [rpm] | c | i | M _{2 max} short-time on geared motor at | | | | M _{2 Gr} gearbox c=1 n ₁ ≤ 1400 rpm [Nm] | n _{2 therm} [rpm] | J _{GM} referred to motor shaft [kgm ²] | Servo helical-geared motor Dimensions on Page 3-99 |
|------------------------|-------------------------------|-----|--------|--|-------------|----------------------------|-------------|---|-------------------------------|--|---|
| | | | | 8 kHz | | 16 kHz | | | | | |
| | | | | M _{2 max} [Nm] | Type EVS | M _{2 max} [Nm] | Type EVS | | | | |
| 365 | 51 | 3.8 | 32.267 | 927 | 9324 | 673 | 9324 | 1430 | 51 | 2.62E-03 | GST11 - 2A □□□ 080C22 MDFKA□□ 080-22 60 |
| 415 | 45 | 3.8 | 36.667 | 1053 | 9324 | 765 | 9324 | 1624 | 45 | 2.61E-03 | GST11 - 2A □□□ 080C22 MDFKA□□ 080-22 60 |
| 446 | 42 | 3.2 | 39.160 | 1125 | 9324 | 817 | 9324 | 1452 | 42 | 2.44E-03 | GST11 - 2A □□□ 080C22 MDFKA□□ 080-22 60 |
| 506 | 37 | 3.2 | 44.500 | 1278 | 9324 | 928 | 9324 | 1650 | 37 | 2.43E-03 | GST11 - 2A □□□ 080C22 MDFKA□□ 080-22 60 |
| 567 | 33 | 2.6 | 49.500 | 1422 | 9324 | 1033 | 9324 | 1476 | 33 | 2.27E-03 | GST11 - 2A □□□ 080C22 MDFKA□□ 080-22 60 |
| 644 | 29 | 2.6 | 56.250 | 1615 | 9324 | 1173 | 9324 | 1677 | 29 | 2.26E-03 | GST11 - 2A □□□ 080C22 MDFKA□□ 080-22 60 |
| 329 | 107 | 3.6 | 32.267 | 917 | 9325 | 664 | 9325 | 1430 | 107 | 2.62E-03 | GST11 - 2A □□□ 080C22 MDFKA□□ 080-22 120 |
| 374 | 94 | 3.6 | 36.667 | 1042 | 9325 | 754 | 9325 | 1624 | 94 | 2.61E-03 | GST11 - 2A □□□ 080C22 MDFKA□□ 080-22 120 |
| 402 | 88 | 3.0 | 39.160 | 1113 | 9325 | 806 | 9325 | 1452 | 88 | 2.44E-03 | GST11 - 2A □□□ 080C22 MDFKA□□ 080-22 120 |
| 455 | 78 | 3.4 | 44.500 | 1265 | 9325 | 915 | 9325 | 1650 | 78 | 2.43E-03 | GST11 - 2A □□□ 080C22 MDFKA□□ 080-22 120 |
| 510 | 70 | 2.7 | 49.500 | 1407 | 9325 | 1018 | 9325 | 1476 | 70 | 2.27E-03 | GST11 - 2A □□□ 080C22 MDFKA□□ 080-22 120 |
| 579 | 61 | 2.7 | 56.250 | 1599 | 9325 | 1157 | 9325 | 1677 | 61 | 2.26E-03 | GST11 - 2A □□□ 080C22 MDFKA□□ 080-22 120 |
| 251 | 134 | 5.2 | 12.571 | 698 | 9325 | 512 | 9325 | 1414 | 134 | 6.54E-03 | GST11 - 2A □□□ 090C22 MDFKA□□ 090-22 60 |
| 285 | 118 | 5.2 | 14.286 | 793 | 9325 | 582 | 9325 | 1607 | 118 | 6.47E-03 | GST11 - 2A □□□ 090C22 MDFKA□□ 090-22 60 |
| 411 | 83 | 3.7 | 20.289 | 1126 | 9325 | 827 | 9325 | 1570 | 83 | 5.03E-03 | GST11 - 2A □□□ 090C22 MDFKA□□ 090-22 60 |
| 468 | 73 | 3.7 | 23.056 | 1280 | 9325 | 940 | 9325 | 1784 | 73 | 5.01E-03 | GST11 - 2A □□□ 090C22 MDFKA□□ 090-22 60 |
| 509 | 67 | 3.1 | 24.933 | 1384 | 9325 | 1016 | 9325 | 1616 | 67 | 4.66E-03 | GST11 - 2A □□□ 090C22 MDFKA□□ 090-22 60 |
| 578 | 59 | 3.1 | 28.333 | 1572 | 9325 | 1155 | 9325 | 1836 | 59 | 4.64E-03 | GST11 - 2A □□□ 090C22 MDFKA□□ 090-22 60 |
| 663 | 52 | 2.5 | 32.267 | 1791 | 9325 | 1315 | 9325 | 1674 | 52 | 4.30E-03 | GST11 - 2A □□□ 090C22 MDFKA□□ 090-22 60 |
| 753 | 46 | 2.5 | 36.667 | 2035 | 9325 | 1494 | 9325 | 1902 | 46 | 4.29E-03 | GST11 - 2A □□□ 090C22 MDFKA□□ 090-22 60 |
| 808 | 43 | 2.1 | 39.160 | 2173 | 9325 | 1596 | 9325 | 1701 | 43 | 4.12E-03 | GST11 - 2A □□□ 090C22 MDFKA□□ 090-22 60 |
| 918 | 38 | 2.1 | 44.500 | 2470 | 9325 | 1813 | 9325 | 1933 | 38 | 4.11E-03 | GST11 - 2A □□□ 090C22 MDFKA□□ 090-22 60 |
| 1025 | 34 | 1.7 | 49.500 | 2593 | 9325 | 2017 | 9325 | 1728 | 34 | 3.95E-03 | GST11 - 2A □□□ 090C22 MDFKA□□ 090-22 60 |
| 1165 | 30 | 1.7 | 56.250 | 2946 | 9325 | 2292 | 9325 | 1964 | 30 | 3.94E-03 | GST11 - 2A □□□ 090C22 MDFKA□□ 090-22 60 |
| 223 | 277 | 4.6 | 12.571 | 618 | 9326 | 544 | 9327 | 1414 | 180 | 6.54E-03 | GST11 - 2A □□□ 090C22 MDFKA□□ 090-22 120 |
| 254 | 244 | 4.6 | 14.286 | 703 | 9326 | 618 | 9327 | 1607 | 159 | 6.47E-03 | GST11 - 2A □□□ 090C22 MDFKA□□ 090-22 120 |
| 364 | 172 | 3.6 | 20.289 | 998 | 9326 | 878 | 9327 | 1570 | 143 | 5.03E-03 | GST11 - 2A □□□ 090C22 MDFKA□□ 090-22 120 |
| 414 | 151 | 3.6 | 23.056 | 1134 | 9326 | 998 | 9327 | 1784 | 125 | 5.01E-03 | GST11 - 2A □□□ 090C22 MDFKA□□ 090-22 120 |
| 450 | 140 | 3.0 | 24.933 | 1227 | 9326 | 1079 | 9327 | 1616 | 125 | 4.66E-03 | GST11 - 2A □□□ 090C22 MDFKA□□ 090-22 120 |
| 511 | 123 | 3.0 | 28.333 | 1394 | 9326 | 1226 | 9327 | 1836 | 110 | 4.64E-03 | GST11 - 2A □□□ 090C22 MDFKA□□ 090-22 120 |
| 586 | 108 | 2.4 | 32.267 | 1587 | 9326 | 1396 | 9327 | 1674 | 96 | 4.30E-03 | GST11 - 2A □□□ 090C22 MDFKA□□ 090-22 120 |
| 666 | 95 | 2.4 | 36.667 | 1804 | 9326 | 1587 | 9327 | 1902 | 85 | 4.29E-03 | GST11 - 2A □□□ 090C22 MDFKA□□ 090-22 120 |
| 714 | 89 | 2.0 | 39.160 | 1926 | 9326 | 1695 | 9327 | 1701 | 79 | 4.12E-03 | GST11 - 2A □□□ 090C22 MDFKA□□ 090-22 120 |
| 810 | 78 | 2.2 | 44.500 | 2189 | 9326 | 1926 | 9327 | 1933 | 70 | 4.11E-03 | GST11 - 2A □□□ 090C22 MDFKA□□ 090-22 120 |

Observe the notes for thermal dimensioning.

Selection tables - Helical gearboxes

Forced ventilated asynchronous geared servo motors

| M ₂ [Nm] | n _{2 trans} [rpm] | c | i | M _{2 max} short-time on geared motor at | | | | M _{2 Gr} gearbox c=1 n ₁ ≤ 1400 rpm [Nm] | n _{2 therm} [rpm] | J _{GM} referred to motor shaft [kgm ²] | Servo helical- geared motor Dimensions on Page 3-99 |
|------------------------|-------------------------------|-----|--------|---|-------------|----------------------------|-------------|--|-------------------------------|---|--|
| | | | | 8 kHz | | 16 kHz | | | | | |
| | | | | M _{2 max} [Nm] | Type EVS | M _{2 max} [Nm] | Type EVS | | | | |
| 905 | 70 | 1.8 | 49.500 | 2435 | 9326 | 2142 | 9327 | 1728 | 63 | 3.95E-03 | GST11 - 2A □□□ 090C22 MDFKA□□ 090-22 120 |
| 1028 | 62 | 1.8 | 56.250 | 2767 | 9326 | 2434 | 9327 | 1964 | 55 | 3.94E-03 | GST11 - 2A □□□ 090C22 MDFKA□□ 090-22 120 |
| 375 | 152 | 5.8 | 11.200 | 544 | 9325 | 657 | 9326 | 2380 | 152 | 1.11E-02 | GST11 - 2A □□□ 100C22 MDFKA□□ 100-22 60 |
| 422 | 135 | 5.5 | 12.571 | 611 | 9325 | 738 | 9326 | 2520 | 135 | 1.01E-02 | GST11 - 2A □□□ 100C22 MDFKA□□ 100-22 60 |
| 483 | 119 | 4.9 | 14.286 | 694 | 9325 | 839 | 9326 | 2579 | 119 | 1.01E-02 | GST11 - 2A □□□ 100C22 MDFKA□□ 100-22 60 |
| 520 | 110 | 5.0 | 15.400 | 749 | 9325 | 904 | 9326 | 2695 | 110 | 9.50E-03 | GST11 - 2A □□□ 100C22 MDFKA□□ 100-22 60 |
| 594 | 97 | 4.5 | 17.500 | 851 | 9325 | 1027 | 9326 | 2758 | 97 | 9.45E-03 | GST11 - 2A □□□ 100C22 MDFKA□□ 100-22 60 |
| 694 | 84 | 3.9 | 20.289 | 986 | 9325 | 1191 | 9326 | 2756 | 84 | 8.63E-03 | GST11 - 2A □□□ 100C22 MDFKA□□ 100-22 60 |
| 790 | 74 | 3.6 | 23.056 | 1121 | 9325 | 1353 | 9326 | 2913 | 74 | 8.61E-03 | GST11 - 2A □□□ 100C22 MDFKA□□ 100-22 60 |
| 859 | 68 | 3.2 | 24.933 | 1212 | 9325 | 1464 | 9326 | 2777 | 68 | 8.26E-03 | GST11 - 2A □□□ 100C22 MDFKA□□ 100-22 60 |
| 978 | 60 | 2.9 | 28.333 | 1377 | 9325 | 1663 | 9326 | 2933 | 60 | 8.24E-03 | GST11 - 2A □□□ 100C22 MDFKA□□ 100-22 60 |
| 1119 | 53 | 2.5 | 32.267 | 1568 | 9325 | 1894 | 9326 | 2818 | 53 | 7.90E-03 | GST11 - 2A □□□ 100C22 MDFKA□□ 100-22 60 |
| 1274 | 46 | 2.3 | 36.667 | 1782 | 9325 | 2152 | 9326 | 2933 | 46 | 7.89E-03 | GST11 - 2A □□□ 100C22 MDFKA□□ 100-22 60 |
| 1364 | 43 | 2.0 | 39.160 | 1904 | 9325 | 2299 | 9326 | 2826 | 43 | 7.72E-03 | GST11 - 2A □□□ 100C22 MDFKA□□ 100-22 60 |
| 1553 | 38 | 1.9 | 44.500 | 2163 | 9325 | 2612 | 9326 | 2933 | 38 | 7.71E-03 | GST11 - 2A □□□ 100C22 MDFKA□□ 100-22 60 |
| 214 | 548 | 5.2 | 6.400 | 420 | 9327 | 397 | 9328 | 1549 | 320 | 1.18E-02 | GST11 - 2A □□□ 100C22 MDFKA□□ 100-22 120 |
| 330 | 356 | 5.1 | 9.856 | 646 | 9327 | 612 | 9328 | 2325 | 207 | 1.12E-02 | GST11 - 2A □□□ 100C22 MDFKA□□ 100-22 120 |
| 377 | 313 | 4.6 | 11.200 | 735 | 9327 | 696 | 9328 | 2380 | 178 | 1.11E-02 | GST11 - 2A □□□ 100C22 MDFKA□□ 100-22 120 |
| 424 | 279 | 4.3 | 12.571 | 825 | 9327 | 781 | 9328 | 2520 | 178 | 1.01E-02 | GST11 - 2A □□□ 100C22 MDFKA□□ 100-22 120 |
| 484 | 246 | 3.9 | 14.286 | 937 | 9327 | 887 | 9328 | 2579 | 153 | 1.01E-02 | GST11 - 2A □□□ 100C22 MDFKA□□ 100-22 120 |
| 520 | 228 | 4.3 | 15.400 | 1010 | 9327 | 956 | 9328 | 2695 | 159 | 9.50E-03 | GST11 - 2A □□□ 100C22 MDFKA□□ 100-22 120 |
| 593 | 201 | 3.9 | 17.500 | 1148 | 9327 | 1087 | 9328 | 2758 | 140 | 9.45E-03 | GST11 - 2A □□□ 100C22 MDFKA□□ 100-22 120 |
| 692 | 173 | 3.3 | 20.289 | 1331 | 9327 | 1260 | 9328 | 2756 | 121 | 8.63E-03 | GST11 - 2A □□□ 100C22 MDFKA□□ 100-22 120 |
| 788 | 152 | 3.1 | 23.056 | 1512 | 9327 | 1432 | 9328 | 2913 | 106 | 8.61E-03 | GST11 - 2A □□□ 100C22 MDFKA□□ 100-22 120 |
| 855 | 141 | 2.7 | 24.933 | 1635 | 9327 | 1548 | 9328 | 2777 | 98 | 8.26E-03 | GST11 - 2A □□□ 100C22 MDFKA□□ 100-22 120 |
| 974 | 124 | 2.5 | 28.333 | 1858 | 9327 | 1759 | 9328 | 2933 | 86 | 8.24E-03 | GST11 - 2A □□□ 100C22 MDFKA□□ 100-22 120 |
| 1114 | 109 | 2.1 | 32.267 | 2116 | 9327 | 2004 | 9328 | 2818 | 76 | 7.90E-03 | GST11 - 2A □□□ 100C22 MDFKA□□ 100-22 120 |
| 1268 | 96 | 2.0 | 36.667 | 2405 | 9327 | 2277 | 9328 | 2933 | 67 | 7.89E-03 | GST11 - 2A □□□ 100C22 MDFKA□□ 100-22 120 |
| 1357 | 90 | 1.8 | 39.160 | 2568 | 9327 | 2432 | 9328 | 2826 | 63 | 7.72E-03 | GST11 - 2A □□□ 100C22 MDFKA□□ 100-22 120 |
| 1542 | 79 | 1.8 | 44.500 | 2919 | 9327 | 2763 | 9328 | 2933 | 55 | 7.71E-03 | GST11 - 2A □□□ 100C22 MDFKA□□ 100-22 120 |
| 229 | 422 | 5.9 | 4.056 | 410 | 9326 | 539 | 9328 | 1490 | 422 | 2.62E-02 | GST11 - 2A □□□ 112C22 MDFKA□□ 112-22 60 |
| 252 | 384 | 5.8 | 4.457 | 450 | 9326 | 592 | 9328 | 1606 | 384 | 2.59E-02 | GST11 - 2A □□□ 112C22 MDFKA□□ 112-22 60 |
| 305 | 321 | 4.8 | 5.324 | 538 | 9326 | 707 | 9328 | 1594 | 321 | 2.35E-02 | GST11 - 2A □□□ 112C22 MDFKA□□ 112-22 60 |
| 335 | 292 | 4.9 | 5.850 | 591 | 9326 | 777 | 9328 | 1772 | 292 | 2.34E-02 | GST11 - 2A □□□ 112C22 MDFKA□□ 112-22 60 |

Observe the notes for thermal dimensioning.

Selection tables - Helical gearboxes

Forced ventilated asynchronous geared servo motors



| M ₂ [Nm] | n _{2 trans} [rpm] | c | i | M _{2 max} short-time on geared motor at | | | | M _{2 Gr} gearbox c=1 n ₁ ≤ 1400 rpm [Nm] | n _{2 therm} [rpm] | J _{GM} referred to motor shaft [kgm ²] | Servo helical- geared motor Dimensions on Page 3-99 |
|------------------------|-------------------------------|------------|---------------|---|-------------|----------------------------|-------------|--|-------------------------------|---|--|
| | | | | 8 kHz | | 16 kHz | | | | | |
| | | | | M _{2 max} [Nm] | Type EVS | M _{2 max} [Nm] | Type EVS | | | | |
| 367 | 267 | 4.5 | 6.400 | 646 | 9326 | 850 | 9328 | 1801 | 267 | 2.26E-02 | GST11 - 2A □□□ 112C22 MDFKA□□ 112-22 60 |
| 393 | 249 | 4.8 | 6.864 | 693 | 9326 | 912 | 9328 | 2065 | 245 | 2.48E-02 | GST11 - 2A □□□ 112C22 MDFKA□□ 112-22 60 |
| 449 | 219 | 4.4 | 7.800 | 788 | 9326 | 1036 | 9328 | 2114 | 211 | 2.45E-02 | GST11 - 2A □□□ 112C22 MDFKA□□ 112-22 60 |
| 520 | 190 | 4.0 | 9.010 | 910 | 9326 | 1197 | 9328 | 2259 | 190 | 2.27E-02 | GST11 - 2A □□□ 112C22 MDFKA□□ 112-22 60 |
| 570 | 174 | 3.8 | 9.856 | 996 | 9326 | 1309 | 9328 | 2325 | 174 | 2.20E-02 | GST11 - 2A □□□ 112C22 MDFKA□□ 112-22 60 |
| 651 | 153 | 3.4 | 11.200 | 1131 | 9326 | 1488 | 9328 | 2380 | 153 | 2.19E-02 | GST11 - 2A □□□ 112C22 MDFKA□□ 112-22 60 |
| 732 | 136 | 3.2 | 12.571 | 1270 | 9326 | 1670 | 9328 | 2520 | 136 | 2.09E-02 | GST11 - 2A □□□ 112C22 MDFKA□□ 112-22 60 |
| 834 | 120 | 2.9 | 14.286 | 1443 | 9326 | 1898 | 9328 | 2579 | 120 | 2.09E-02 | GST11 - 2A □□□ 112C22 MDFKA□□ 112-22 60 |
| 899 | 111 | 2.9 | 15.400 | 1555 | 9326 | 2046 | 9328 | 2695 | 111 | 2.03E-02 | GST11 - 2A □□□ 112C22 MDFKA□□ 112-22 60 |
| 1025 | 98 | 2.6 | 17.500 | 1768 | 9326 | 2324 | 9328 | 2758 | 98 | 2.03E-02 | GST11 - 2A □□□ 112C22 MDFKA□□ 112-22 60 |
| 1193 | 84 | 2.3 | 20.289 | 2049 | 9326 | 2695 | 9328 | 2756 | 84 | 1.94E-02 | GST11 - 2A □□□ 112C22 MDFKA□□ 112-22 60 |
| 1358 | 74 | 2.1 | 23.056 | 2329 | 9326 | 3062 | 9328 | 2913 | 74 | 1.94E-02 | GST11 - 2A □□□ 112C22 MDFKA□□ 112-22 60 |
| 1472 | 69 | 1.9 | 24.933 | 2518 | 9326 | 3312 | 9328 | 2777 | 69 | 1.91E-02 | GST11 - 2A □□□ 112C22 MDFKA□□ 112-22 60 |
| 1675 | 60 | 1.7 | 28.333 | 2862 | 9326 | 3763 | 9328 | 2933 | 60 | 1.90E-02 | GST11 - 2A □□□ 112C22 MDFKA□□ 112-22 60 |
| 207 | 868 | 5.2 | 4.056 | 424 | 9328 | 526 | 9330 | 1490 | 421 | 2.62E-02 | GST11 - 2A □□□ 112C22 MDFKA□□ 112-22 120 |
| 228 | 790 | 5.1 | 4.457 | 466 | 9328 | 578 | 9330 | 1606 | 382 | 2.59E-02 | GST11 - 2A □□□ 112C22 MDFKA□□ 112-22 120 |
| 275 | 661 | 4.2 | 5.324 | 556 | 9328 | 690 | 9330 | 1594 | 356 | 2.35E-02 | GST11 - 2A □□□ 112C22 MDFKA□□ 112-22 120 |
| 302 | 602 | 4.3 | 5.850 | 611 | 9328 | 758 | 9330 | 1772 | 325 | 2.34E-02 | GST11 - 2A □□□ 112C22 MDFKA□□ 112-22 120 |
| 331 | 550 | 4.0 | 6.400 | 669 | 9328 | 830 | 9330 | 1801 | 302 | 2.26E-02 | GST11 - 2A □□□ 112C22 MDFKA□□ 112-22 120 |
| 354 | 513 | 4.2 | 6.864 | 717 | 9328 | 890 | 9330 | 2065 | 238 | 2.48E-02 | GST11 - 2A □□□ 112C22 MDFKA□□ 112-22 120 |
| 404 | 451 | 3.8 | 7.800 | 815 | 9328 | 1011 | 9330 | 2114 | 204 | 2.45E-02 | GST11 - 2A □□□ 112C22 MDFKA□□ 112-22 120 |
| 468 | 391 | 3.5 | 9.010 | 941 | 9328 | 1168 | 9330 | 2259 | 202 | 2.27E-02 | GST11 - 2A □□□ 112C22 MDFKA□□ 112-22 120 |
| 513 | 357 | 3.3 | 9.856 | 1030 | 9328 | 1278 | 9330 | 2325 | 188 | 2.20E-02 | GST11 - 2A □□□ 112C22 MDFKA□□ 112-22 120 |
| 585 | 314 | 3.0 | 11.200 | 1170 | 9328 | 1452 | 9330 | 2380 | 161 | 2.19E-02 | GST11 - 2A □□□ 112C22 MDFKA□□ 112-22 120 |
| 658 | 280 | 2.8 | 12.571 | 1314 | 9328 | 1630 | 9330 | 2520 | 160 | 2.09E-02 | GST11 - 2A □□□ 112C22 MDFKA□□ 112-22 120 |
| 750 | 246 | 2.5 | 14.286 | 1493 | 9328 | 1852 | 9330 | 2579 | 139 | 2.09E-02 | GST11 - 2A □□□ 112C22 MDFKA□□ 112-22 120 |
| 807 | 229 | 2.8 | 15.400 | 1609 | 9328 | 1996 | 9330 | 2695 | 131 | 2.03E-02 | GST11 - 2A □□□ 112C22 MDFKA□□ 112-22 120 |
| 919 | 201 | 2.5 | 17.500 | 1829 | 9328 | 2268 | 9330 | 2758 | 115 | 2.03E-02 | GST11 - 2A □□□ 112C22 MDFKA□□ 112-22 120 |
| 1070 | 173 | 2.2 | 20.289 | 2120 | 9328 | 2630 | 9330 | 2756 | 99 | 1.94E-02 | GST11 - 2A □□□ 112C22 MDFKA□□ 112-22 120 |
| 1217 | 153 | 2.0 | 23.056 | 2409 | 9328 | 2989 | 9330 | 2913 | 87 | 1.94E-02 | GST11 - 2A □□□ 112C22 MDFKA□□ 112-22 120 |
| 1320 | 141 | 1.8 | 24.933 | 2605 | 9328 | 3232 | 9330 | 2777 | 81 | 1.91E-02 | GST11 - 2A □□□ 112C22 MDFKA□□ 112-22 120 |
| 1502 | 124 | 1.7 | 28.333 | 2961 | 9328 | 3673 | 9330 | 2933 | 71 | 1.90E-02 | GST11 - 2A □□□ 112C22 MDFKA□□ 112-22 120 |
| 233 | 84 | 5.8 | 40.816 | 507 | 9324 | 741 | 9325 | 1641 | 84 | 1.47E-03 | GST11 - 3A □□□ 071C22 MDFKA□□ 071-22 120 |
| 757 | 26 | 3.5 | 129.074 | 1604 | 9324 | 2344 | 9325 | 2810 | 26 | 1.02E-03 | GST11 - 3A □□□ 071C22 MDFKA□□ 071-22 120 |

Observe the notes for thermal dimensioning.

Selection tables - Helical gearboxes

Forced ventilated asynchronous geared servo motors

| M ₂ [Nm] | n _{2 trans} [rpm] | c | i | M _{2 max} short-time on geared motor at | | | | M _{2 Gr} gearbox c=1 n ₁ ≤ 1400 rpm [Nm] | n _{2 therm} [rpm] | J _{GM} referred to motor shaft [kgm ²] | Servo helical- geared motor Dimensions on Page 3-99 |
|------------------------|-------------------------------|-----|---------|---|-------------|----------------------------|-------------|--|-------------------------------|---|--|
| | | | | 8 kHz | | 16 kHz | | | | | |
| | | | | M _{2 max} [Nm] | Type EVS | M _{2 max} [Nm] | Type EVS | | | | |
| 867 | 23 | 2.9 | 146.993 | 1826 | 9324 | 2669 | 9325 | 2695 | 23 | 1.01E-03 | GST11 - 3A □□□ 071C22 MDFKA□□ 071-22 120 |
| 934 | 22 | 2.8 | 158.194 | 1965 | 9324 | 2873 | 9325 | 2810 | 22 | 9.70E-04 | GST11 - 3A □□□ 071C22 MDFKA□□ 071-22 120 |
| 1069 | 19 | 2.4 | 180.156 | 2238 | 9324 | 3271 | 9325 | 2695 | 19 | 9.59E-04 | GST11 - 3A □□□ 071C22 MDFKA□□ 071-22 120 |
| 1236 | 16 | 2.2 | 207.778 | 2581 | 9324 | 3773 | 9325 | 2810 | 16 | 9.18E-04 | GST11 - 3A □□□ 071C22 MDFKA□□ 071-22 120 |
| 1413 | 14 | 1.8 | 236.622 | 2940 | 9324 | 4043 | 9325 | 2695 | 14 | 9.12E-04 | GST11 - 3A □□□ 071C22 MDFKA□□ 071-22 120 |
| 1506 | 14 | 1.8 | 252.167 | 3133 | 9324 | 4215 | 9325 | 2810 | 14 | 8.93E-04 | GST11 - 3A □□□ 071C22 MDFKA□□ 071-22 120 |
| 1607 | 13 | 1.7 | 268.889 | 3341 | 9324 | 4272 | 9325 | 2848 | 13 | 9.12E-04 | GST11 - 3A □□□ 071C22 MDFKA□□ 071-22 120 |
| 1957 | 10 | 1.4 | 326.333 | 4054 | 9324 | 4272 | 9325 | 2848 | 10 | 8.89E-04 | GST11 - 3A □□□ 071C22 MDFKA□□ 071-22 120 |
| 2181 | 9.4 | 1.2 | 363.000 | 4043 | 9324 | 4043 | 9325 | 2695 | 9.4 | 9.06E-04 | GST11 - 3A □□□ 071C22 MDFKA□□ 071-22 120 |
| 2481 | 8.3 | 1.1 | 412.500 | 4272 | 9324 | 4272 | 9325 | 2848 | 8.3 | 8.85E-04 | GST11 - 3A □□□ 071C22 MDFKA□□ 071-22 120 |
| 447 | 40 | 5.2 | 40.816 | 1155 | 9324 | 839 | 9324 | 2444 | 40 | 2.56E-03 | GST11 - 3A □□□ 080C22 MDFKA□□ 080-22 60 |
| 485 | 37 | 4.8 | 44.000 | 1245 | 9324 | 904 | 9324 | 2410 | 37 | 2.49E-03 | GST11 - 3A □□□ 080C22 MDFKA□□ 080-22 60 |
| 551 | 33 | 4.8 | 50.000 | 1414 | 9324 | 1027 | 9324 | 2725 | 33 | 2.48E-03 | GST11 - 3A □□□ 080C22 MDFKA□□ 080-22 60 |
| 645 | 28 | 3.9 | 57.968 | 1640 | 9324 | 1191 | 9324 | 2577 | 28 | 2.40E-03 | GST11 - 3A □□□ 080C22 MDFKA□□ 080-22 60 |
| 681 | 27 | 3.9 | 61.250 | 1733 | 9324 | 1259 | 9324 | 2725 | 27 | 2.33E-03 | GST11 - 3A □□□ 080C22 MDFKA□□ 080-22 60 |
| 795 | 23 | 3.2 | 71.011 | 2009 | 9324 | 1459 | 9324 | 2637 | 23 | 2.27E-03 | GST11 - 3A □□□ 080C22 MDFKA□□ 080-22 60 |
| 906 | 20 | 3.0 | 80.694 | 2283 | 9324 | 1658 | 9324 | 2787 | 20 | 2.27E-03 | GST11 - 3A □□□ 080C22 MDFKA□□ 080-22 60 |
| 983 | 19 | 2.7 | 87.267 | 2469 | 9324 | 1793 | 9324 | 2657 | 19 | 2.24E-03 | GST11 - 3A □□□ 080C22 MDFKA□□ 080-22 60 |
| 1120 | 16 | 2.5 | 99.167 | 2805 | 9324 | 2038 | 9324 | 2810 | 16 | 2.24E-03 | GST11 - 3A □□□ 080C22 MDFKA□□ 080-22 60 |
| 1280 | 14 | 2.1 | 112.933 | 3195 | 9324 | 2320 | 9324 | 2695 | 14 | 2.21E-03 | GST11 - 3A □□□ 080C22 MDFKA□□ 080-22 60 |
| 1466 | 13 | 1.9 | 129.074 | 3651 | 9324 | 2652 | 9324 | 2810 | 13 | 2.11E-03 | GST11 - 3A □□□ 080C22 MDFKA□□ 080-22 60 |
| 1675 | 11 | 1.6 | 146.993 | 4043 | 9324 | 3020 | 9324 | 2695 | 11 | 2.10E-03 | GST11 - 3A □□□ 080C22 MDFKA□□ 080-22 60 |
| 1804 | 10 | 1.5 | 158.194 | 4215 | 9324 | 3250 | 9324 | 2810 | 10 | 2.06E-03 | GST11 - 3A □□□ 080C22 MDFKA□□ 080-22 60 |
| 2059 | 9.1 | 1.3 | 180.156 | 4043 | 9324 | 3702 | 9324 | 2695 | 9.1 | 2.05E-03 | GST11 - 3A □□□ 080C22 MDFKA□□ 080-22 60 |
| 2378 | 7.9 | 1.2 | 207.778 | 4215 | 9324 | 4215 | 9324 | 2810 | 7.9 | 2.01E-03 | GST11 - 3A □□□ 080C22 MDFKA□□ 080-22 60 |
| 404 | 85 | 5.0 | 40.816 | 1143 | 9325 | 827 | 9325 | 2444 | 85 | 2.56E-03 | GST11 - 3A □□□ 080C22 MDFKA□□ 080-22 120 |
| 435 | 79 | 5.1 | 44.000 | 1232 | 9325 | 892 | 9325 | 2410 | 79 | 2.49E-03 | GST11 - 3A □□□ 080C22 MDFKA□□ 080-22 120 |
| 494 | 69 | 5.0 | 50.000 | 1400 | 9325 | 1013 | 9325 | 2725 | 69 | 2.48E-03 | GST11 - 3A □□□ 080C22 MDFKA□□ 080-22 120 |
| 579 | 60 | 4.1 | 57.968 | 1623 | 9325 | 1175 | 9325 | 2577 | 60 | 2.40E-03 | GST11 - 3A □□□ 080C22 MDFKA□□ 080-22 120 |
| 612 | 56 | 4.1 | 61.250 | 1715 | 9325 | 1241 | 9325 | 2725 | 56 | 2.33E-03 | GST11 - 3A □□□ 080C22 MDFKA□□ 080-22 120 |
| 714 | 49 | 3.4 | 71.011 | 1988 | 9325 | 1439 | 9325 | 2637 | 49 | 2.27E-03 | GST11 - 3A □□□ 080C22 MDFKA□□ 080-22 120 |
| 814 | 43 | 3.2 | 80.694 | 2260 | 9325 | 1635 | 9325 | 2787 | 43 | 2.27E-03 | GST11 - 3A □□□ 080C22 MDFKA□□ 080-22 120 |
| 884 | 40 | 2.8 | 87.267 | 2444 | 9325 | 1768 | 9325 | 2657 | 40 | 2.24E-03 | GST11 - 3A □□□ 080C22 MDFKA□□ 080-22 120 |
| 1006 | 35 | 2.6 | 99.167 | 2777 | 9325 | 2009 | 9325 | 2810 | 35 | 2.24E-03 | GST11 - 3A □□□ 080C22 MDFKA□□ 080-22 120 |

Observe the notes for thermal dimensioning.

Selection tables - Helical gearboxes

Forced ventilated asynchronous geared servo motors



| M ₂ [Nm] | n _{2 trans} [rpm] | c | i | M _{2 max} short-time on geared motor at | | | | M _{2 Gr} gearbox c=1 n ₁ ≤ 1400 rpm [Nm] | n _{2 therm} [rpm] | J _{GM} referred to motor shaft [kgm ²] | Servo helical- geared motor Dimensions on Page 3-99 |
|------------------------|-------------------------------|-----|---------|---|-------------|----------------------------|-------------|--|-------------------------------|---|--|
| | | | | 8 kHz | | 16 kHz | | | | | |
| | | | | M _{2 max} [Nm] | Type EVS | M _{2 max} [Nm] | Type EVS | | | | |
| 1151 | 31 | 2.2 | 112.933 | 3162 | 9325 | 2288 | 9325 | 2695 | 31 | 2.21E-03 | GST11 - 3A □□□ 080C22 MDFKA□□ 080-22 120 |
| 1318 | 27 | 2.0 | 129.074 | 3614 | 9325 | 2615 | 9325 | 2810 | 27 | 2.11E-03 | GST11 - 3A □□□ 080C22 MDFKA□□ 080-22 120 |
| 1506 | 24 | 1.7 | 146.993 | 4043 | 9325 | 2978 | 9325 | 2695 | 24 | 2.10E-03 | GST11 - 3A □□□ 080C22 MDFKA□□ 080-22 120 |
| 1622 | 22 | 1.6 | 158.194 | 4215 | 9325 | 3205 | 9325 | 2810 | 22 | 2.06E-03 | GST11 - 3A □□□ 080C22 MDFKA□□ 080-22 120 |
| 1852 | 19 | 1.4 | 180.156 | 4043 | 9325 | 3650 | 9325 | 2695 | 19 | 2.05E-03 | GST11 - 3A □□□ 080C22 MDFKA□□ 080-22 120 |
| 2139 | 17 | 1.3 | 207.778 | 4215 | 9325 | 4210 | 9325 | 2810 | 17 | 2.01E-03 | GST11 - 3A □□□ 080C22 MDFKA□□ 080-22 120 |
| 2441 | 15 | 1.1 | 236.622 | 4043 | 9325 | 4043 | 9325 | 2695 | 15 | 2.00E-03 | GST11 - 3A □□□ 080C22 MDFKA□□ 080-22 120 |
| 2602 | 14 | 1.0 | 252.167 | 4215 | 9325 | 4215 | 9325 | 2810 | 14 | 1.98E-03 | GST11 - 3A □□□ 080C22 MDFKA□□ 080-22 120 |
| 821 | 41 | 3.0 | 40.816 | 2231 | 9325 | 1638 | 9325 | 2550 | 41 | 4.24E-03 | GST11 - 3A □□□ 090C22 MDFKA□□ 090-22 60 |
| 888 | 38 | 2.7 | 44.000 | 2405 | 9325 | 1766 | 9325 | 2410 | 38 | 4.17E-03 | GST11 - 3A □□□ 090C22 MDFKA□□ 090-22 60 |
| 1010 | 34 | 2.7 | 50.000 | 2733 | 9325 | 2007 | 9325 | 2725 | 34 | 4.16E-03 | GST11 - 3A □□□ 090C22 MDFKA□□ 090-22 60 |
| 1177 | 29 | 2.2 | 57.968 | 3169 | 9325 | 2327 | 9325 | 2577 | 29 | 4.08E-03 | GST11 - 3A □□□ 090C22 MDFKA□□ 090-22 60 |
| 1243 | 27 | 2.2 | 61.250 | 3348 | 9325 | 2459 | 9325 | 2725 | 27 | 4.01E-03 | GST11 - 3A □□□ 090C22 MDFKA□□ 090-22 60 |
| 1447 | 24 | 1.8 | 71.011 | 3882 | 9325 | 2850 | 9325 | 2637 | 24 | 3.95E-03 | GST11 - 3A □□□ 090C22 MDFKA□□ 090-22 60 |
| 1646 | 21 | 1.7 | 80.694 | 4180 | 9325 | 3239 | 9325 | 2787 | 21 | 3.95E-03 | GST11 - 3A □□□ 090C22 MDFKA□□ 090-22 60 |
| 1784 | 19 | 1.5 | 87.267 | 3985 | 9325 | 3503 | 9325 | 2657 | 19 | 3.92E-03 | GST11 - 3A □□□ 090C22 MDFKA□□ 090-22 60 |
| 2029 | 17 | 1.4 | 99.167 | 4215 | 9325 | 3980 | 9325 | 2810 | 17 | 3.92E-03 | GST11 - 3A □□□ 090C22 MDFKA□□ 090-22 60 |
| 2317 | 15 | 1.2 | 112.933 | 4043 | 9325 | 4043 | 9325 | 2695 | 15 | 3.89E-03 | GST11 - 3A □□□ 090C22 MDFKA□□ 090-22 60 |
| 2650 | 13 | 1.1 | 129.074 | 4215 | 9325 | 4215 | 9325 | 2810 | 13 | 3.79E-03 | GST11 - 3A □□□ 090C22 MDFKA□□ 090-22 60 |
| 726 | 85 | 3.0 | 40.816 | 1978 | 9326 | 1740 | 9327 | 2550 | 76 | 4.24E-03 | GST11 - 3A □□□ 090C22 MDFKA□□ 090-22 120 |
| 783 | 79 | 2.9 | 44.000 | 2132 | 9326 | 1875 | 9327 | 2410 | 71 | 4.17E-03 | GST11 - 3A □□□ 090C22 MDFKA□□ 090-22 120 |
| 890 | 70 | 2.9 | 50.000 | 2423 | 9326 | 2131 | 9327 | 2725 | 62 | 4.16E-03 | GST11 - 3A □□□ 090C22 MDFKA□□ 090-22 120 |
| 1038 | 60 | 2.3 | 57.968 | 2809 | 9326 | 2471 | 9327 | 2577 | 54 | 4.08E-03 | GST11 - 3A □□□ 090C22 MDFKA□□ 090-22 120 |
| 1097 | 57 | 2.3 | 61.250 | 2968 | 9326 | 2611 | 9327 | 2725 | 51 | 4.01E-03 | GST11 - 3A □□□ 090C22 MDFKA□□ 090-22 120 |
| 1277 | 49 | 1.9 | 71.011 | 3441 | 9326 | 3027 | 9327 | 2637 | 44 | 3.95E-03 | GST11 - 3A □□□ 090C22 MDFKA□□ 090-22 120 |
| 1453 | 43 | 1.8 | 80.694 | 3910 | 9326 | 3439 | 9327 | 2787 | 39 | 3.95E-03 | GST11 - 3A □□□ 090C22 MDFKA□□ 090-22 120 |
| 1575 | 40 | 1.6 | 87.267 | 3985 | 9326 | 3720 | 9327 | 2657 | 36 | 3.92E-03 | GST11 - 3A □□□ 090C22 MDFKA□□ 090-22 120 |
| 1792 | 35 | 1.5 | 99.167 | 4215 | 9326 | 4215 | 9327 | 2810 | 31 | 3.92E-03 | GST11 - 3A □□□ 090C22 MDFKA□□ 090-22 120 |
| 2045 | 31 | 1.3 | 112.933 | 4043 | 9326 | 4043 | 9327 | 2695 | 28 | 3.89E-03 | GST11 - 3A □□□ 090C22 MDFKA□□ 090-22 120 |
| 2340 | 27 | 1.1 | 129.074 | 4215 | 9326 | 4215 | 9327 | 2810 | 24 | 3.79E-03 | GST11 - 3A □□□ 090C22 MDFKA□□ 090-22 120 |
| 1404 | 42 | 1.8 | 40.816 | 1954 | 9325 | 2360 | 9326 | 2550 | 42 | 7.84E-03 | GST11 - 3A □□□ 100C22 MDFKA□□ 100-22 60 |
| 1517 | 39 | 1.6 | 44.000 | 2107 | 9325 | 2544 | 9326 | 2410 | 39 | 7.77E-03 | GST11 - 3A □□□ 100C22 MDFKA□□ 100-22 60 |
| 1724 | 34 | 1.6 | 50.000 | 2394 | 9325 | 2891 | 9326 | 2725 | 34 | 7.76E-03 | GST11 - 3A □□□ 100C22 MDFKA□□ 100-22 60 |
| 2005 | 29 | 1.3 | 57.968 | 2776 | 9325 | 3352 | 9326 | 2577 | 29 | 7.68E-03 | GST11 - 3A □□□ 100C22 MDFKA□□ 100-22 60 |

Observe the notes for thermal dimensioning.

Selection tables - Helical gearboxes

Forced ventilated asynchronous geared servo motors

| M ₂ [Nm] | n ₂ trans [rpm] | c | i | M ₂ max short-time on geared motor at | | | | M ₂ Gr gearbox c=1 n ₁ ≤ 1400 rpm [Nm] | n ₂ therm [rpm] | J _{GM} referred to motor shaft [kgm ²] | Servo helical- geared motor Dimensions on Page 3-99 |
|------------------------|-------------------------------|-----|--------|---|-------------|----------------------------|-------------|--|-------------------------------|---|--|
| | | | | 8 kHz | | 16 kHz | | | | | |
| | | | | M ₂ max [Nm] | Type EVS | M ₂ max [Nm] | Type EVS | | | | |
| 2119 | 28 | 1.3 | 61.250 | 2933 | 9325 | 3541 | 9326 | 2725 | 28 | 7.61E-03 | GST11 - 3A □□□ 100C22 MDFKA□□ 100-22 60 |
| 2462 | 24 | 1.1 | 71.011 | 3400 | 9325 | 3955 | 9326 | 2637 | 24 | 7.55E-03 | GST11 - 3A □□□ 100C22 MDFKA□□ 100-22 60 |
| 1396 | 86 | 1.6 | 40.816 | 2637 | 9327 | 2496 | 9328 | 2550 | 60 | 7.84E-03 | GST11 - 3A □□□ 100C22 MDFKA□□ 100-22 120 |
| 1506 | 80 | 1.5 | 44.000 | 2843 | 9327 | 2691 | 9328 | 2410 | 56 | 7.77E-03 | GST11 - 3A □□□ 100C22 MDFKA□□ 100-22 120 |
| 1711 | 70 | 1.5 | 50.000 | 3230 | 9327 | 3058 | 9328 | 2725 | 49 | 7.76E-03 | GST11 - 3A □□□ 100C22 MDFKA□□ 100-22 120 |
| 1990 | 61 | 1.2 | 57.968 | 3745 | 9327 | 3546 | 9328 | 2577 | 42 | 7.68E-03 | GST11 - 3A □□□ 100C22 MDFKA□□ 100-22 120 |
| 2102 | 57 | 1.2 | 61.250 | 3957 | 9327 | 3746 | 9328 | 2725 | 40 | 7.61E-03 | GST11 - 3A □□□ 100C22 MDFKA□□ 100-22 120 |
| 2442 | 49 | 1.0 | 71.011 | 3955 | 9327 | 3955 | 9328 | 2637 | 34 | 7.55E-03 | GST11 - 3A □□□ 100C22 MDFKA□□ 100-22 120 |
| 672 | 85 | 5.6 | 20.044 | 974 | 9325 | 1177 | 9326 | 3958 | 85 | 1.18E-02 | GST14 - 2A □□□ 100C22 MDFKA□□ 100-22 60 |
| 764 | 75 | 5.6 | 22.778 | 1107 | 9325 | 1337 | 9326 | 4498 | 75 | 1.17E-02 | GST14 - 2A □□□ 100C22 MDFKA□□ 100-22 60 |
| 830 | 69 | 5.0 | 24.567 | 1194 | 9325 | 1442 | 9326 | 4286 | 69 | 1.05E-02 | GST14 - 2A □□□ 100C22 MDFKA□□ 100-22 60 |
| 943 | 61 | 5.0 | 27.917 | 1357 | 9325 | 1639 | 9326 | 4871 | 61 | 1.05E-02 | GST14 - 2A □□□ 100C22 MDFKA□□ 100-22 60 |
| 1103 | 53 | 3.9 | 32.267 | 1568 | 9325 | 1894 | 9326 | 4423 | 53 | 9.35E-03 | GST14 - 2A □□□ 100C22 MDFKA□□ 100-22 60 |
| 1253 | 46 | 3.9 | 36.667 | 1782 | 9325 | 2152 | 9326 | 5026 | 46 | 9.32E-03 | GST14 - 2A □□□ 100C22 MDFKA□□ 100-22 60 |
| 1347 | 43 | 3.3 | 39.160 | 1904 | 9325 | 2299 | 9326 | 4493 | 43 | 8.77E-03 | GST14 - 2A □□□ 100C22 MDFKA□□ 100-22 60 |
| 1531 | 38 | 3.3 | 44.500 | 2163 | 9325 | 2612 | 9326 | 5106 | 38 | 8.75E-03 | GST14 - 2A □□□ 100C22 MDFKA□□ 100-22 60 |
| 1717 | 34 | 2.5 | 49.500 | 2406 | 9325 | 2906 | 9326 | 4348 | 34 | 8.26E-03 | GST14 - 2A □□□ 100C22 MDFKA□□ 100-22 60 |
| 1951 | 30 | 2.5 | 56.250 | 2734 | 9325 | 3302 | 9326 | 4940 | 30 | 8.25E-03 | GST14 - 2A □□□ 100C22 MDFKA□□ 100-22 60 |
| 672 | 175 | 4.8 | 20.044 | 1315 | 9327 | 1245 | 9328 | 3958 | 122 | 1.18E-02 | GST14 - 2A □□□ 100C22 MDFKA□□ 100-22 120 |
| 764 | 154 | 4.8 | 22.778 | 1494 | 9327 | 1414 | 9328 | 4498 | 108 | 1.17E-02 | GST14 - 2A □□□ 100C22 MDFKA□□ 100-22 120 |
| 829 | 143 | 4.3 | 24.567 | 1611 | 9327 | 1526 | 9328 | 4286 | 100 | 1.05E-02 | GST14 - 2A □□□ 100C22 MDFKA□□ 100-22 120 |
| 942 | 126 | 4.3 | 27.917 | 1831 | 9327 | 1734 | 9328 | 4871 | 88 | 1.05E-02 | GST14 - 2A □□□ 100C22 MDFKA□□ 100-22 120 |
| 1100 | 109 | 3.4 | 32.267 | 2116 | 9327 | 2004 | 9328 | 4423 | 76 | 9.35E-03 | GST14 - 2A □□□ 100C22 MDFKA□□ 100-22 120 |
| 1250 | 96 | 3.4 | 36.667 | 2405 | 9327 | 2277 | 9328 | 5026 | 67 | 9.32E-03 | GST14 - 2A □□□ 100C22 MDFKA□□ 100-22 120 |
| 1342 | 90 | 2.8 | 39.160 | 2568 | 9327 | 2432 | 9328 | 4493 | 63 | 8.77E-03 | GST14 - 2A □□□ 100C22 MDFKA□□ 100-22 120 |
| 1520 | 79 | 3.1 | 44.500 | 2919 | 9327 | 2763 | 9328 | 5106 | 55 | 8.75E-03 | GST14 - 2A □□□ 100C22 MDFKA□□ 100-22 120 |
| 1704 | 71 | 2.4 | 49.500 | 3247 | 9327 | 3074 | 9328 | 4348 | 49 | 8.26E-03 | GST14 - 2A □□□ 100C22 MDFKA□□ 100-22 120 |
| 1937 | 62 | 2.4 | 56.250 | 3689 | 9327 | 3493 | 9328 | 4940 | 44 | 8.25E-03 | GST14 - 2A □□□ 100C22 MDFKA□□ 100-22 120 |
| 559 | 174 | 5.4 | 9.841 | 994 | 9326 | 1307 | 9328 | 3333 | 174 | 2.55E-02 | GST14 - 2A □□□ 112C22 MDFKA□□ 112-22 60 |
| 623 | 155 | 5.8 | 11.000 | 1111 | 9326 | 1461 | 9328 | 3940 | 155 | 2.99E-02 | GST14 - 2A □□□ 112C22 MDFKA□□ 112-22 60 |
| 703 | 138 | 5.4 | 12.362 | 1249 | 9326 | 1642 | 9328 | 4176 | 138 | 2.69E-02 | GST14 - 2A □□□ 112C22 MDFKA□□ 112-22 60 |
| 803 | 122 | 4.9 | 14.048 | 1419 | 9326 | 1866 | 9328 | 4270 | 122 | 2.67E-02 | GST14 - 2A □□□ 112C22 MDFKA□□ 112-22 60 |
| 866 | 113 | 4.9 | 15.156 | 1531 | 9326 | 2013 | 9328 | 4466 | 113 | 2.48E-02 | GST14 - 2A □□□ 112C22 MDFKA□□ 112-22 60 |
| 989 | 99 | 4.4 | 17.222 | 1740 | 9326 | 2288 | 9328 | 4565 | 99 | 2.46E-02 | GST14 - 2A □□□ 112C22 MDFKA□□ 112-22 60 |

Observe the notes for thermal dimensioning.

Selection tables - Helical gearboxes

Forced ventilated asynchronous geared servo motors



| M ₂ [Nm] | n _{2 trans} [rpm] | c | i | M _{2 max} short-time on geared motor at | | | | M _{2 Gr} gearbox c=1 n ₁ ≤ 1400 rpm [Nm] | n _{2 therm} [rpm] | J _{GM} referred to motor shaft [kgm ²] | Servo helical-geared motor Dimensions on Page 3-99 |
|------------------------|-------------------------------|------------|---------------|--|-------------|----------------------------|-------------|---|-------------------------------|--|---|
| | | | | 8 kHz | | 16 kHz | | | | | |
| | | | | M _{2 max} [Nm] | Type EVS | M _{2 max} [Nm] | Type EVS | | | | |
| 1156 | 85 | 4.1 | 20.044 | 2025 | 9326 | 2662 | 9328 | 4902 | 85 | 2.26E-02 | GST14 - 2A □□□ 112C22 MDFKA□□ 112-22 60 |
| 1319 | 75 | 3.7 | 22.778 | 2301 | 9326 | 3025 | 9328 | 5010 | 75 | 2.25E-02 | GST14 - 2A □□□ 112C22 MDFKA□□ 112-22 60 |
| 1425 | 70 | 3.6 | 24.567 | 2481 | 9326 | 3263 | 9328 | 5236 | 70 | 2.13E-02 | GST14 - 2A □□□ 112C22 MDFKA□□ 112-22 60 |
| 1625 | 61 | 3.2 | 27.917 | 2820 | 9326 | 3708 | 9328 | 5355 | 61 | 2.13E-02 | GST14 - 2A □□□ 112C22 MDFKA□□ 112-22 60 |
| 1886 | 53 | 2.8 | 32.267 | 3259 | 9326 | 4286 | 9328 | 5436 | 53 | 2.02E-02 | GST14 - 2A □□□ 112C22 MDFKA□□ 112-22 60 |
| 2147 | 47 | 2.6 | 36.667 | 3703 | 9326 | 4870 | 9328 | 5768 | 47 | 2.01E-02 | GST14 - 2A □□□ 112C22 MDFKA□□ 112-22 60 |
| 2301 | 44 | 2.3 | 39.160 | 3955 | 9326 | 5201 | 9328 | 5452 | 44 | 1.96E-02 | GST14 - 2A □□□ 112C22 MDFKA□□ 112-22 60 |
| 2619 | 38 | 2.2 | 44.500 | 4495 | 9326 | 5911 | 9328 | 5786 | 38 | 1.96E-02 | GST14 - 2A □□□ 112C22 MDFKA□□ 112-22 60 |
| 408 | 439 | 5.6 | 8.027 | 839 | 9328 | 1041 | 9330 | 3168 | 251 | 2.80E-02 | GST14 - 2A □□□ 112C22 MDFKA□□ 112-22 120 |
| 445 | 400 | 6.0 | 8.800 | 920 | 9328 | 1141 | 9330 | 3737 | 195 | 3.19E-02 | GST14 - 2A □□□ 112C22 MDFKA□□ 112-22 120 |
| 505 | 358 | 4.8 | 9.841 | 1028 | 9328 | 1276 | 9330 | 3333 | 205 | 2.55E-02 | GST14 - 2A □□□ 112C22 MDFKA□□ 112-22 120 |
| 562 | 320 | 5.1 | 11.000 | 1149 | 9328 | 1426 | 9330 | 3940 | 154 | 2.99E-02 | GST14 - 2A □□□ 112C22 MDFKA□□ 112-22 120 |
| 634 | 285 | 4.8 | 12.362 | 1292 | 9328 | 1602 | 9330 | 4176 | 158 | 2.69E-02 | GST14 - 2A □□□ 112C22 MDFKA□□ 112-22 120 |
| 724 | 251 | 4.3 | 14.048 | 1468 | 9328 | 1821 | 9330 | 4270 | 136 | 2.67E-02 | GST14 - 2A □□□ 112C22 MDFKA□□ 112-22 120 |
| 778 | 232 | 4.7 | 15.156 | 1584 | 9328 | 1965 | 9330 | 4466 | 133 | 2.48E-02 | GST14 - 2A □□□ 112C22 MDFKA□□ 112-22 120 |
| 888 | 204 | 4.2 | 17.222 | 1800 | 9328 | 2232 | 9330 | 4565 | 117 | 2.46E-02 | GST14 - 2A □□□ 112C22 MDFKA□□ 112-22 120 |
| 1037 | 176 | 3.9 | 20.044 | 2095 | 9328 | 2598 | 9330 | 4902 | 100 | 2.26E-02 | GST14 - 2A □□□ 112C22 MDFKA□□ 112-22 120 |
| 1184 | 155 | 3.5 | 22.778 | 2380 | 9328 | 2953 | 9330 | 5010 | 88 | 2.25E-02 | GST14 - 2A □□□ 112C22 MDFKA□□ 112-22 120 |
| 1278 | 143 | 3.4 | 24.567 | 2567 | 9328 | 3184 | 9330 | 5236 | 82 | 2.13E-02 | GST14 - 2A □□□ 112C22 MDFKA□□ 112-22 120 |
| 1458 | 126 | 3.1 | 27.917 | 2917 | 9328 | 3619 | 9330 | 5355 | 72 | 2.13E-02 | GST14 - 2A □□□ 112C22 MDFKA□□ 112-22 120 |
| 1692 | 109 | 2.7 | 32.267 | 3372 | 9328 | 4183 | 9330 | 5436 | 62 | 2.02E-02 | GST14 - 2A □□□ 112C22 MDFKA□□ 112-22 120 |
| 1926 | 96 | 2.5 | 36.667 | 3831 | 9328 | 4753 | 9330 | 5768 | 55 | 2.01E-02 | GST14 - 2A □□□ 112C22 MDFKA□□ 112-22 120 |
| 2063 | 90 | 2.2 | 39.160 | 4092 | 9328 | 5076 | 9330 | 5452 | 51 | 1.96E-02 | GST14 - 2A □□□ 112C22 MDFKA□□ 112-22 120 |
| 2343 | 79 | 2.3 | 44.500 | 4650 | 9328 | 5768 | 9330 | 5786 | 45 | 1.96E-02 | GST14 - 2A □□□ 112C22 MDFKA□□ 112-22 120 |
| 1034 | 17 | 4.5 | 93.541 | 2646 | 9324 | 1922 | 9324 | 4793 | 17 | 2.58E-03 | GST14 - 3A □□□ 080C22 MDFKA□□ 080-22 60 |
| 1175 | 15 | 4.5 | 106.296 | 3007 | 9324 | 2184 | 9324 | 5447 | 15 | 2.57E-03 | GST14 - 3A □□□ 080C22 MDFKA□□ 080-22 60 |
| 1448 | 13 | 4.0 | 130.278 | 3685 | 9324 | 2677 | 9324 | 5920 | 13 | 2.52E-03 | GST14 - 3A □□□ 080C22 MDFKA□□ 080-22 60 |
| 1553 | 12 | 3.6 | 139.211 | 3938 | 9324 | 2860 | 9324 | 5736 | 12 | 2.36E-03 | GST14 - 3A □□□ 080C22 MDFKA□□ 080-22 60 |
| 1771 | 10 | 3.3 | 158.194 | 4475 | 9324 | 3250 | 9324 | 5920 | 10 | 2.36E-03 | GST14 - 3A □□□ 080C22 MDFKA□□ 080-22 60 |
| 1921 | 9.6 | 3.0 | 171.111 | 4840 | 9324 | 3516 | 9324 | 5920 | 9.6 | 2.47E-03 | GST14 - 3A □□□ 080C22 MDFKA□□ 080-22 60 |
| 2310 | 8.0 | 2.5 | 204.722 | 5791 | 9324 | 4206 | 9324 | 5920 | 8.0 | 2.21E-03 | GST14 - 3A □□□ 080C22 MDFKA□□ 080-22 60 |
| 2682 | 6.9 | 2.1 | 236.622 | 6694 | 9324 | 4862 | 9324 | 5779 | 6.9 | 2.19E-03 | GST14 - 3A □□□ 080C22 MDFKA□□ 080-22 60 |
| 2817 | 6.6 | 2.1 | 248.458 | 7028 | 9324 | 5105 | 9324 | 5920 | 6.6 | 2.13E-03 | GST14 - 3A □□□ 080C22 MDFKA□□ 080-22 60 |
| 3054 | 6.1 | 1.9 | 268.889 | 7606 | 9324 | 5525 | 9324 | 5920 | 6.1 | 2.19E-03 | GST14 - 3A □□□ 080C22 MDFKA□□ 080-22 60 |

Observe the notes for thermal dimensioning.

Selection tables - Helical gearboxes

Forced ventilated asynchronous geared servo motors

| M ₂ [Nm] | n _{2 trans} [rpm] | c | i | M _{2 max} short-time on geared motor at | | | | M _{2 Gr} gearbox c=1 n ₁ ≤ 1400 rpm [Nm] | n _{2 therm} [rpm] | J _{GM} referred to motor shaft [kgm ²] | Servo helical- geared motor Dimensions on Page 3-99 |
|------------------------|-------------------------------|-----|---------|---|-------------|----------------------------|-------------|--|-------------------------------|---|--|
| | | | | 8 kHz | | 16 kHz | | | | | |
| | | | | M _{2 max} [Nm] | Type EVS | M _{2 max} [Nm] | Type EVS | | | | |
| 3720 | 5.0 | 1.6 | 326.333 | 8880 | 9324 | 6705 | 9324 | 5920 | 5.0 | 2.11E-03 | GST14 - 3A □□□ 080C22 MDFKA□□ 080-22 60 |
| 4146 | 4.5 | 1.4 | 363.000 | 8668 | 9324 | 7459 | 9324 | 5779 | 4.5 | 2.17E-03 | GST14 - 3A □□□ 080C22 MDFKA□□ 080-22 60 |
| 4718 | 4.0 | 1.3 | 412.500 | 8880 | 9324 | 8476 | 9324 | 5920 | 4.0 | 2.10E-03 | GST14 - 3A □□□ 080C22 MDFKA□□ 080-22 60 |
| 928 | 37 | 4.7 | 93.541 | 2619 | 9325 | 1895 | 9325 | 4793 | 37 | 2.58E-03 | GST14 - 3A □□□ 080C22 MDFKA□□ 080-22 120 |
| 1054 | 33 | 4.7 | 106.296 | 2976 | 9325 | 2154 | 9325 | 5447 | 33 | 2.57E-03 | GST14 - 3A □□□ 080C22 MDFKA□□ 080-22 120 |
| 1300 | 27 | 4.2 | 130.278 | 3648 | 9325 | 2640 | 9325 | 5920 | 27 | 2.52E-03 | GST14 - 3A □□□ 080C22 MDFKA□□ 080-22 120 |
| 1395 | 25 | 3.8 | 139.211 | 3898 | 9325 | 2821 | 9325 | 5736 | 25 | 2.36E-03 | GST14 - 3A □□□ 080C22 MDFKA□□ 080-22 120 |
| 1591 | 22 | 3.5 | 158.194 | 4430 | 9325 | 3205 | 9325 | 5920 | 22 | 2.36E-03 | GST14 - 3A □□□ 080C22 MDFKA□□ 080-22 120 |
| 1725 | 20 | 3.2 | 171.111 | 4791 | 9325 | 3467 | 9325 | 5920 | 20 | 2.47E-03 | GST14 - 3A □□□ 080C22 MDFKA□□ 080-22 120 |
| 2076 | 17 | 2.7 | 204.722 | 5733 | 9325 | 4148 | 9325 | 5920 | 17 | 2.21E-03 | GST14 - 3A □□□ 080C22 MDFKA□□ 080-22 120 |
| 2410 | 15 | 2.3 | 236.622 | 6626 | 9325 | 4794 | 9325 | 5779 | 15 | 2.19E-03 | GST14 - 3A □□□ 080C22 MDFKA□□ 080-22 120 |
| 2532 | 14 | 2.2 | 248.458 | 6957 | 9325 | 5034 | 9325 | 5920 | 14 | 2.13E-03 | GST14 - 3A □□□ 080C22 MDFKA□□ 080-22 120 |
| 2745 | 13 | 2.0 | 268.889 | 7529 | 9325 | 5448 | 9325 | 5920 | 13 | 2.19E-03 | GST14 - 3A □□□ 080C22 MDFKA□□ 080-22 120 |
| 3344 | 11 | 1.7 | 326.333 | 8880 | 9325 | 6612 | 9325 | 5920 | 11 | 2.11E-03 | GST14 - 3A □□□ 080C22 MDFKA□□ 080-22 120 |
| 3728 | 9.5 | 1.5 | 363.000 | 8668 | 9325 | 7355 | 9325 | 5779 | 9.5 | 2.17E-03 | GST14 - 3A □□□ 080C22 MDFKA□□ 080-22 120 |
| 4243 | 8.4 | 1.3 | 412.500 | 8880 | 9325 | 8357 | 9325 | 5920 | 8.4 | 2.10E-03 | GST14 - 3A □□□ 080C22 MDFKA□□ 080-22 120 |
| 791 | 42 | 5.0 | 40.185 | 2197 | 9325 | 1613 | 9325 | 4099 | 42 | 6.04E-03 | GST14 - 3A □□□ 090C22 MDFKA□□ 090-22 60 |
| 844 | 39 | 4.3 | 42.580 | 2328 | 9325 | 1709 | 9325 | 3804 | 39 | 5.43E-03 | GST14 - 3A □□□ 090C22 MDFKA□□ 090-22 60 |
| 959 | 35 | 4.3 | 48.386 | 2645 | 9325 | 1942 | 9325 | 4323 | 35 | 5.41E-03 | GST14 - 3A □□□ 090C22 MDFKA□□ 090-22 60 |
| 1053 | 32 | 4.4 | 53.148 | 2905 | 9325 | 2133 | 9325 | 4779 | 32 | 5.65E-03 | GST14 - 3A □□□ 090C22 MDFKA□□ 090-22 60 |
| 1184 | 28 | 3.7 | 59.321 | 3243 | 9325 | 2381 | 9325 | 4546 | 28 | 4.92E-03 | GST14 - 3A □□□ 090C22 MDFKA□□ 090-22 60 |
| 1382 | 24 | 3.5 | 69.042 | 3774 | 9325 | 2771 | 9325 | 4917 | 24 | 4.75E-03 | GST14 - 3A □□□ 090C22 MDFKA□□ 090-22 60 |
| 1570 | 21 | 3.5 | 78.457 | 4289 | 9325 | 3149 | 9325 | 5587 | 21 | 4.74E-03 | GST14 - 3A □□□ 090C22 MDFKA□□ 090-22 60 |
| 1884 | 18 | 2.9 | 93.541 | 5113 | 9325 | 3755 | 9325 | 5524 | 18 | 4.26E-03 | GST14 - 3A □□□ 090C22 MDFKA□□ 090-22 60 |
| 1935 | 17 | 3.0 | 96.157 | 5256 | 9325 | 3860 | 9325 | 5882 | 17 | 4.64E-03 | GST14 - 3A □□□ 090C22 MDFKA□□ 090-22 60 |
| 2145 | 16 | 2.7 | 106.296 | 5811 | 9325 | 4267 | 9325 | 5920 | 16 | 4.25E-03 | GST14 - 3A □□□ 090C22 MDFKA□□ 090-22 60 |
| 2643 | 13 | 2.2 | 130.278 | 7122 | 9325 | 5229 | 9325 | 5920 | 13 | 4.20E-03 | GST14 - 3A □□□ 090C22 MDFKA□□ 090-22 60 |
| 2830 | 12 | 2.0 | 139.211 | 7610 | 9325 | 5588 | 9325 | 5736 | 12 | 4.04E-03 | GST14 - 3A □□□ 090C22 MDFKA□□ 090-22 60 |
| 3222 | 11 | 1.8 | 158.194 | 8648 | 9325 | 6350 | 9325 | 5920 | 11 | 4.04E-03 | GST14 - 3A □□□ 090C22 MDFKA□□ 090-22 60 |
| 3491 | 9.8 | 1.7 | 171.111 | 8880 | 9325 | 6868 | 9325 | 5920 | 9.8 | 4.15E-03 | GST14 - 3A □□□ 090C22 MDFKA□□ 090-22 60 |
| 4188 | 8.2 | 1.4 | 204.722 | 8880 | 9325 | 8217 | 9325 | 5920 | 8.2 | 3.89E-03 | GST14 - 3A □□□ 090C22 MDFKA□□ 090-22 60 |
| 4852 | 7.1 | 1.2 | 236.622 | 8668 | 9325 | 8668 | 9325 | 5779 | 7.1 | 3.87E-03 | GST14 - 3A □□□ 090C22 MDFKA□□ 090-22 60 |
| 5097 | 6.8 | 1.2 | 248.458 | 8880 | 9325 | 8880 | 9325 | 5920 | 6.8 | 3.81E-03 | GST14 - 3A □□□ 090C22 MDFKA□□ 090-22 60 |
| 5521 | 6.3 | 1.1 | 268.889 | 8880 | 9325 | 8880 | 9325 | 5920 | 6.3 | 3.87E-03 | GST14 - 3A □□□ 090C22 MDFKA□□ 090-22 60 |

Observe the notes for thermal dimensioning.

Selection tables - Helical gearboxes

Forced ventilated asynchronous geared servo motors



| M ₂ [Nm] | n _{2 trans} [rpm] | c | i | M _{2 max} short-time on geared motor at | | | | M _{2 Gr} gearbox c=1 n ₁ ≤ 1400 rpm [Nm] | n _{2 therm} [rpm] | J _{GM} referred to motor shaft [kgm ²] | Servo helical-geared motor Dimensions on Page 3-99 |
|------------------------|-------------------------------|-----|---------|--|-------------|----------------------------|-------------|---|-------------------------------|--|---|
| | | | | 8 kHz | | 16 kHz | | | | | |
| | | | | M _{2 max} [Nm] | Type EVS | M _{2 max} [Nm] | Type EVS | | | | |
| 700 | 87 | 4.8 | 40.185 | 1947 | 9326 | 1713 | 9327 | 4099 | 77 | 6.04E-03 | GST14 - 3A □□□ 090C22 MDFKA□□ 090-22 120 |
| 743 | 82 | 4.7 | 42.580 | 2063 | 9326 | 1815 | 9327 | 3804 | 73 | 5.43E-03 | GST14 - 3A □□□ 090C22 MDFKA□□ 090-22 120 |
| 845 | 72 | 4.7 | 48.386 | 2344 | 9326 | 2062 | 9327 | 4323 | 64 | 5.41E-03 | GST14 - 3A □□□ 090C22 MDFKA□□ 090-22 120 |
| 928 | 65 | 4.7 | 53.148 | 2575 | 9326 | 2265 | 9327 | 4779 | 59 | 5.65E-03 | GST14 - 3A □□□ 090C22 MDFKA□□ 090-22 120 |
| 1043 | 59 | 4.0 | 59.321 | 2874 | 9326 | 2528 | 9327 | 4546 | 52 | 4.92E-03 | GST14 - 3A □□□ 090C22 MDFKA□□ 090-22 120 |
| 1218 | 50 | 3.7 | 69.042 | 3345 | 9326 | 2943 | 9327 | 4917 | 45 | 4.75E-03 | GST14 - 3A □□□ 090C22 MDFKA□□ 090-22 120 |
| 1384 | 44 | 3.7 | 78.457 | 3801 | 9326 | 3344 | 9327 | 5587 | 40 | 4.74E-03 | GST14 - 3A □□□ 090C22 MDFKA□□ 090-22 120 |
| 1661 | 37 | 3.1 | 93.541 | 4532 | 9326 | 3987 | 9327 | 5524 | 33 | 4.26E-03 | GST14 - 3A □□□ 090C22 MDFKA□□ 090-22 120 |
| 1706 | 36 | 3.2 | 96.157 | 4659 | 9326 | 4099 | 9327 | 5882 | 32 | 4.64E-03 | GST14 - 3A □□□ 090C22 MDFKA□□ 090-22 120 |
| 1891 | 33 | 2.9 | 106.296 | 5150 | 9326 | 4531 | 9327 | 5920 | 29 | 4.25E-03 | GST14 - 3A □□□ 090C22 MDFKA□□ 090-22 120 |
| 2331 | 27 | 2.4 | 130.278 | 6312 | 9326 | 5553 | 9327 | 5920 | 24 | 4.20E-03 | GST14 - 3A □□□ 090C22 MDFKA□□ 090-22 120 |
| 2497 | 25 | 2.2 | 139.211 | 6745 | 9326 | 5934 | 9327 | 5736 | 22 | 4.04E-03 | GST14 - 3A □□□ 090C22 MDFKA□□ 090-22 120 |
| 2844 | 22 | 2.0 | 158.194 | 7665 | 9326 | 6743 | 9327 | 5920 | 20 | 4.04E-03 | GST14 - 3A □□□ 090C22 MDFKA□□ 090-22 120 |
| 3081 | 20 | 1.8 | 171.111 | 8291 | 9326 | 7293 | 9327 | 5920 | 18 | 4.15E-03 | GST14 - 3A □□□ 090C22 MDFKA□□ 090-22 120 |
| 3697 | 17 | 1.5 | 204.722 | 8880 | 9326 | 8726 | 9327 | 5920 | 15 | 3.89E-03 | GST14 - 3A □□□ 090C22 MDFKA□□ 090-22 120 |
| 4284 | 15 | 1.3 | 236.622 | 8668 | 9326 | 8668 | 9327 | 5779 | 13 | 3.87E-03 | GST14 - 3A □□□ 090C22 MDFKA□□ 090-22 120 |
| 4500 | 14 | 1.2 | 248.458 | 8880 | 9326 | 8880 | 9327 | 5920 | 13 | 3.81E-03 | GST14 - 3A □□□ 090C22 MDFKA□□ 090-22 120 |
| 4875 | 13 | 1.2 | 268.889 | 8880 | 9326 | 8880 | 9327 | 5920 | 12 | 3.87E-03 | GST14 - 3A □□□ 090C22 MDFKA□□ 090-22 120 |
| 1362 | 42 | 3.2 | 40.185 | 1924 | 9325 | 2323 | 9326 | 4476 | 42 | 9.64E-03 | GST14 - 3A □□□ 100C22 MDFKA□□ 100-22 60 |
| 1448 | 40 | 2.9 | 42.580 | 2039 | 9325 | 2462 | 9326 | 4262 | 40 | 9.03E-03 | GST14 - 3A □□□ 100C22 MDFKA□□ 100-22 60 |
| 1645 | 35 | 2.9 | 48.386 | 2317 | 9325 | 2798 | 9326 | 4843 | 35 | 9.01E-03 | GST14 - 3A □□□ 100C22 MDFKA□□ 100-22 60 |
| 1813 | 32 | 2.6 | 53.148 | 2545 | 9325 | 3073 | 9326 | 4779 | 32 | 9.25E-03 | GST14 - 3A □□□ 100C22 MDFKA□□ 100-22 60 |
| 2024 | 29 | 2.6 | 59.321 | 2840 | 9325 | 3430 | 9326 | 5267 | 29 | 8.52E-03 | GST14 - 3A □□□ 100C22 MDFKA□□ 100-22 60 |
| 2369 | 25 | 2.1 | 69.042 | 3306 | 9325 | 3992 | 9326 | 4917 | 25 | 8.35E-03 | GST14 - 3A □□□ 100C22 MDFKA□□ 100-22 60 |
| 2692 | 22 | 2.1 | 78.457 | 3756 | 9325 | 4536 | 9326 | 5587 | 22 | 8.34E-03 | GST14 - 3A □□□ 100C22 MDFKA□□ 100-22 60 |
| 3221 | 18 | 1.7 | 93.541 | 4479 | 9325 | 5408 | 9326 | 5524 | 18 | 7.86E-03 | GST14 - 3A □□□ 100C22 MDFKA□□ 100-22 60 |
| 3309 | 18 | 1.8 | 96.157 | 4604 | 9325 | 5560 | 9326 | 5882 | 18 | 8.24E-03 | GST14 - 3A □□□ 100C22 MDFKA□□ 100-22 60 |
| 3664 | 16 | 1.6 | 106.296 | 5089 | 9325 | 6146 | 9326 | 5920 | 16 | 7.85E-03 | GST14 - 3A □□□ 100C22 MDFKA□□ 100-22 60 |
| 4505 | 13 | 1.3 | 130.278 | 6238 | 9325 | 7532 | 9326 | 5920 | 13 | 7.80E-03 | GST14 - 3A □□□ 100C22 MDFKA□□ 100-22 60 |
| 4820 | 12 | 1.2 | 139.211 | 6665 | 9325 | 8049 | 9326 | 5736 | 12 | 7.64E-03 | GST14 - 3A □□□ 100C22 MDFKA□□ 100-22 60 |
| 5483 | 11 | 1.1 | 158.194 | 7574 | 9325 | 8880 | 9326 | 5920 | 11 | 7.64E-03 | GST14 - 3A □□□ 100C22 MDFKA□□ 100-22 60 |
| 1357 | 87 | 2.8 | 40.185 | 2596 | 9327 | 2458 | 9328 | 4476 | 61 | 9.64E-03 | GST14 - 3A □□□ 100C22 MDFKA□□ 100-22 120 |
| 1438 | 82 | 2.8 | 42.580 | 2751 | 9327 | 2604 | 9328 | 4262 | 58 | 9.03E-03 | GST14 - 3A □□□ 100C22 MDFKA□□ 100-22 120 |
| 1634 | 73 | 2.8 | 48.386 | 3126 | 9327 | 2959 | 9328 | 4843 | 51 | 9.01E-03 | GST14 - 3A □□□ 100C22 MDFKA□□ 100-22 120 |

Observe the notes for thermal dimensioning.

Selection tables - Helical gearboxes

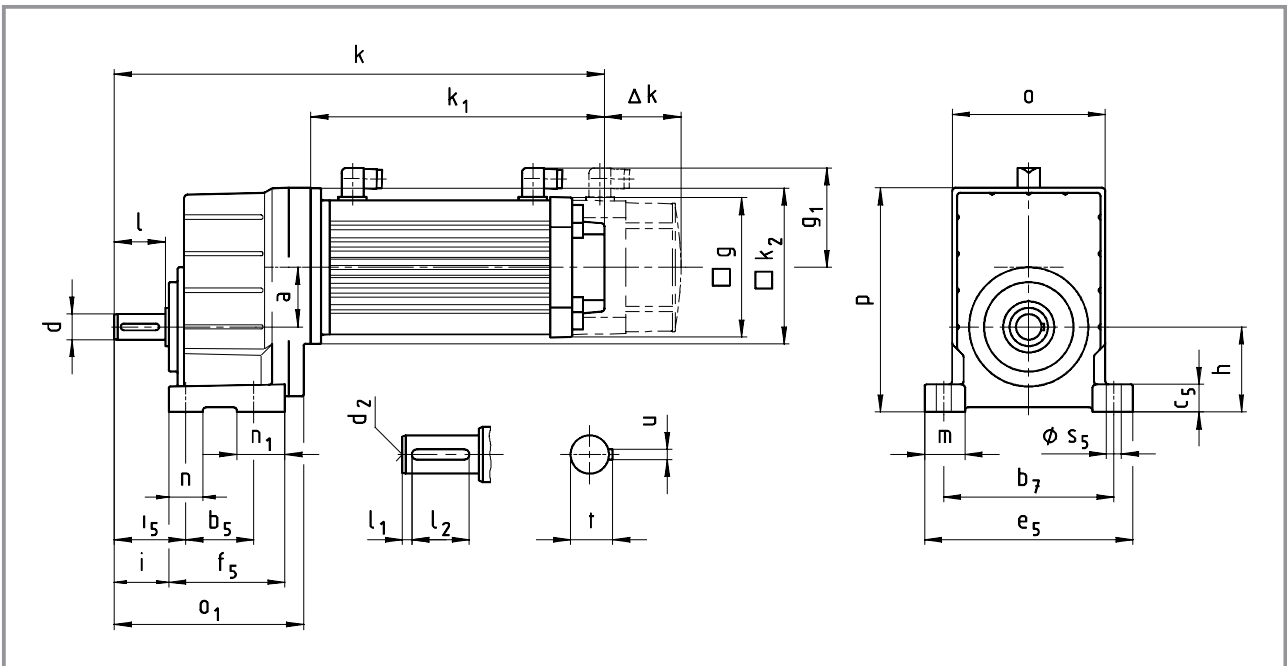
Forced ventilated asynchronous geared servo motors

| M ₂ [Nm] | n ₂ trans [rpm] | c | i | M ₂ max short-time on geared motor at | | | | M ₂ Gr gearbox c=1 n ₁ ≤ 1400 rpm [Nm] | n ₂ therm [rpm] | J _{GM} referred to motor shaft [kgm ²] | Servo helical- geared motor Dimensions on Page 3-99 |
|------------------------|-------------------------------|-----|---------|---|-------------|----------------------------|-------------|--|-------------------------------|---|--|
| | | | | 8 kHz | | 16 kHz | | | | | |
| | | | | M ₂ max [Nm] | Type EVS | M ₂ max [Nm] | Type EVS | | | | |
| 1800 | 66 | 2.5 | 53.148 | 3434 | 9327 | 3251 | 9328 | 4779 | 46 | 9.25E-03 | GST14 - 3A □□□ 100C22 MDFKA□□ 100-22 120 |
| 2010 | 59 | 2.4 | 59.321 | 3832 | 9327 | 3628 | 9328 | 5267 | 41 | 8.52E-03 | GST14 - 3A □□□ 100C22 MDFKA□□ 100-22 120 |
| 2351 | 51 | 2.0 | 69.042 | 4460 | 9327 | 4223 | 9328 | 4917 | 35 | 8.35E-03 | GST14 - 3A □□□ 100C22 MDFKA□□ 100-22 120 |
| 2672 | 45 | 2.0 | 78.457 | 5069 | 9327 | 4799 | 9328 | 5587 | 31 | 8.34E-03 | GST14 - 3A □□□ 100C22 MDFKA□□ 100-22 120 |
| 3197 | 38 | 1.6 | 93.541 | 6043 | 9327 | 5721 | 9328 | 5524 | 26 | 7.86E-03 | GST14 - 3A □□□ 100C22 MDFKA□□ 100-22 120 |
| 3284 | 37 | 1.7 | 96.157 | 6212 | 9327 | 5881 | 9328 | 5882 | 25 | 8.24E-03 | GST14 - 3A □□□ 100C22 MDFKA□□ 100-22 120 |
| 3637 | 33 | 1.5 | 106.296 | 6867 | 9327 | 6501 | 9328 | 5920 | 23 | 7.85E-03 | GST14 - 3A □□□ 100C22 MDFKA□□ 100-22 120 |
| 4470 | 27 | 1.3 | 130.278 | 8416 | 9327 | 7968 | 9328 | 5920 | 19 | 7.80E-03 | GST14 - 3A □□□ 100C22 MDFKA□□ 100-22 120 |
| 4783 | 25 | 1.1 | 139.211 | 8604 | 9327 | 8515 | 9328 | 5736 | 18 | 7.64E-03 | GST14 - 3A □□□ 100C22 MDFKA□□ 100-22 120 |
| 5441 | 22 | 1.0 | 158.194 | 8880 | 9327 | 8880 | 9328 | 5920 | 15 | 7.64E-03 | GST14 - 3A □□□ 100C22 MDFKA□□ 100-22 120 |
| 2336 | 43 | 1.9 | 40.185 | 3998 | 9326 | 5258 | 9328 | 4476 | 43 | 2.04E-02 | GST14 - 3A □□□ 112C22 MDFKA□□ 112-22 60 |
| 2480 | 40 | 1.7 | 42.580 | 4236 | 9326 | 5571 | 9328 | 4262 | 40 | 1.98E-02 | GST14 - 3A □□□ 112C22 MDFKA□□ 112-22 60 |
| 2818 | 35 | 1.7 | 48.386 | 4814 | 9326 | 6330 | 9328 | 4843 | 35 | 1.98E-02 | GST14 - 3A □□□ 112C22 MDFKA□□ 112-22 60 |
| 3101 | 32 | 1.5 | 53.148 | 5288 | 9326 | 6953 | 9328 | 4779 | 32 | 2.01E-02 | GST14 - 3A □□□ 112C22 MDFKA□□ 112-22 60 |
| 3462 | 29 | 1.5 | 59.321 | 5902 | 9326 | 7761 | 9328 | 5267 | 29 | 1.93E-02 | GST14 - 3A □□□ 112C22 MDFKA□□ 112-22 60 |
| 4042 | 25 | 1.2 | 69.042 | 6869 | 9326 | 7375 | 9328 | 4917 | 25 | 1.92E-02 | GST14 - 3A □□□ 112C22 MDFKA□□ 112-22 60 |
| 4593 | 22 | 1.2 | 78.457 | 7805 | 9326 | 8381 | 9328 | 5587 | 22 | 1.91E-02 | GST14 - 3A □□□ 112C22 MDFKA□□ 112-22 60 |
| 5640 | 18 | 1.0 | 96.157 | 8823 | 9326 | 8823 | 9328 | 5882 | 18 | 1.90E-02 | GST14 - 3A □□□ 112C22 MDFKA□□ 112-22 60 |
| 2094 | 88 | 1.8 | 40.185 | 4136 | 9328 | 5131 | 9330 | 4476 | 50 | 2.04E-02 | GST14 - 3A □□□ 112C22 MDFKA□□ 112-22 120 |
| 2219 | 83 | 1.8 | 42.580 | 4383 | 9328 | 5437 | 9330 | 4262 | 47 | 1.98E-02 | GST14 - 3A □□□ 112C22 MDFKA□□ 112-22 120 |
| 2522 | 73 | 1.8 | 48.386 | 4980 | 9328 | 6178 | 9330 | 4843 | 42 | 1.98E-02 | GST14 - 3A □□□ 112C22 MDFKA□□ 112-22 120 |
| 2775 | 66 | 1.6 | 53.148 | 5470 | 9328 | 6786 | 9330 | 4779 | 38 | 2.01E-02 | GST14 - 3A □□□ 112C22 MDFKA□□ 112-22 120 |
| 3098 | 59 | 1.6 | 59.321 | 6106 | 9328 | 7574 | 9330 | 5267 | 34 | 1.93E-02 | GST14 - 3A □□□ 112C22 MDFKA□□ 112-22 120 |
| 3618 | 51 | 1.3 | 69.042 | 7106 | 9328 | 7375 | 9330 | 4917 | 29 | 1.92E-02 | GST14 - 3A □□□ 112C22 MDFKA□□ 112-22 120 |
| 4112 | 45 | 1.3 | 78.457 | 8075 | 9328 | 8381 | 9330 | 5587 | 26 | 1.91E-02 | GST14 - 3A □□□ 112C22 MDFKA□□ 112-22 120 |
| 5049 | 37 | 1.1 | 96.157 | 8823 | 9328 | 8823 | 9330 | 5882 | 21 | 1.90E-02 | GST14 - 3A □□□ 112C22 MDFKA□□ 112-22 120 |

Observe the notes for thermal dimensioning.

Dimensions - Helical gearboxes

Geared servo motors with resolver



| Geared servo motor | | S (synchronous servo motors) | | | | | A (asynchronous servo motors) | | | | | | | | | | | |
|--|-------------------------------------|------------------------------|-----|-----|-----|----------------|-------------------------------|-----|-----|-----|-----|-----|-----|-----|-----|-----|--|--|
| GST□□ - 1^A_S VBR | | 056 | | 071 | | | 056 | 071 | 080 | 090 | 100 | 112 | | | | | | |
| | | C23 | C33 | C03 | C13 | C33 | C22 | C22 | C22 | C22 | C22 | C22 | | | | | | |
| Motor | g | 102 | 102 | 131 | 131 | 131 | 102 | 131 | 142 | 165 | 192 | 214 | | | | | | |
| | g ₁ | 90 | 90 | 102 | 102 | 102 | 90 | 102 | 109 | 118 | 136 | 147 | | | | | | |
| | k ₂ | 145 | 145 | 145 | 145 | 145 | 145 | 145 | 180 | 180 | 222 | 265 | | | | | | |
| | k ₁ naturally ventilated | 207 | 242 | 215 | 250 | 285 | 258 | 267 | 307 | 346 | 408 | 479 | | | | | | |
| | Δk** forced ventilated+brake | 27 | 27 | 35 | 35 | 35 | 25 | 35 | 33 | 35 | 38 | 42 | | | | | | |
| | forced ventilated | - | - | 68 | 68 | 68 | - | 68 | 62 | 89 | 97 | 96 | | | | | | |
| | forced ventilated+brake | - | - | 103 | 103 | 103 | - | 103 | 95 | 124 | 135 | 138 | | | | | | |
| Gearbox size | Gearbox | | | | | Overall length | | | | | | | | | | | | |
| | o* | o ₁ | p* | h | a | k | | | | | | | | | | | | |
| 04 | 100 | 134 | 138 | 50 | 36 | 355 | 390 | 364 | 399 | 434 | 407 | 415 | | | | | | |
| 05 | 115 | 165 | 168 | 63 | 45 | 376 | 411 | 385 | 420 | 455 | 428 | 436 | 486 | | | | | |
| 06 | 145 | 191 | 211 | 80 | 56 | 399 | 434 | 408 | 443 | 478 | 451 | 459 | 509 | 548 | | | | |
| 07 | 180 | 223 | 264 | 100 | 70 | 428 | 463 | 437 | 472 | 507 | 480 | 488 | 538 | 577 | 646 | 724 | | |
| 09 | 222 | 271 | 329 | 125 | 89 | | | | | | | | 581 | 620 | 689 | 767 | | |

| Gearbox size | Solid shaft | | | | | | | | | | Foot | | | | | | | | |
|--------------|-------------|----|----------------|----------------|----------------|----|------|----------------|----------------|----------------|----------------|----------------|----|----------------|------|----|----------------|----------------|--|
| | d k6 | l | l ₁ | l ₂ | d ₂ | u | t | b ₅ | b ₇ | c ₅ | e ₅ | f ₅ | i | i ₅ | m | n | n ₁ | s ₅ | |
| 04 | 16 | 32 | 6 | 20 | M5 | 5 | 18 | 55 | 105 | 17 | 128 | 80 | 35 | 45 | 24 | 20 | 25 | 9 | |
| 05 | 20 | 40 | 6 | 28 | M6 | 6 | 22.5 | 70 | 125 | 22 | 154 | 99 | 43 | 56 | 32 | 26 | 29 | 11 | |
| 06 | 25 | 50 | 4 | 40 | M10 | 8 | 28 | 72 | 160 | 27 | 194 | 115 | 53 | 68 | 37 | 30 | 43 | 13.5 | |
| 07 | 30 | 60 | 7.5 | 45 | M10 | 8 | 33 | 80 | 200 | 35 | 245 | 137 | 64 | 84 | 47.5 | 40 | 57 | 18 | |
| 09 | 40 | 80 | 8.5 | 63 | M16 | 12 | 43 | 105 | 245 | 43 | 296 | 161 | 84 | 107 | 50.5 | 45 | 56 | 18 | |

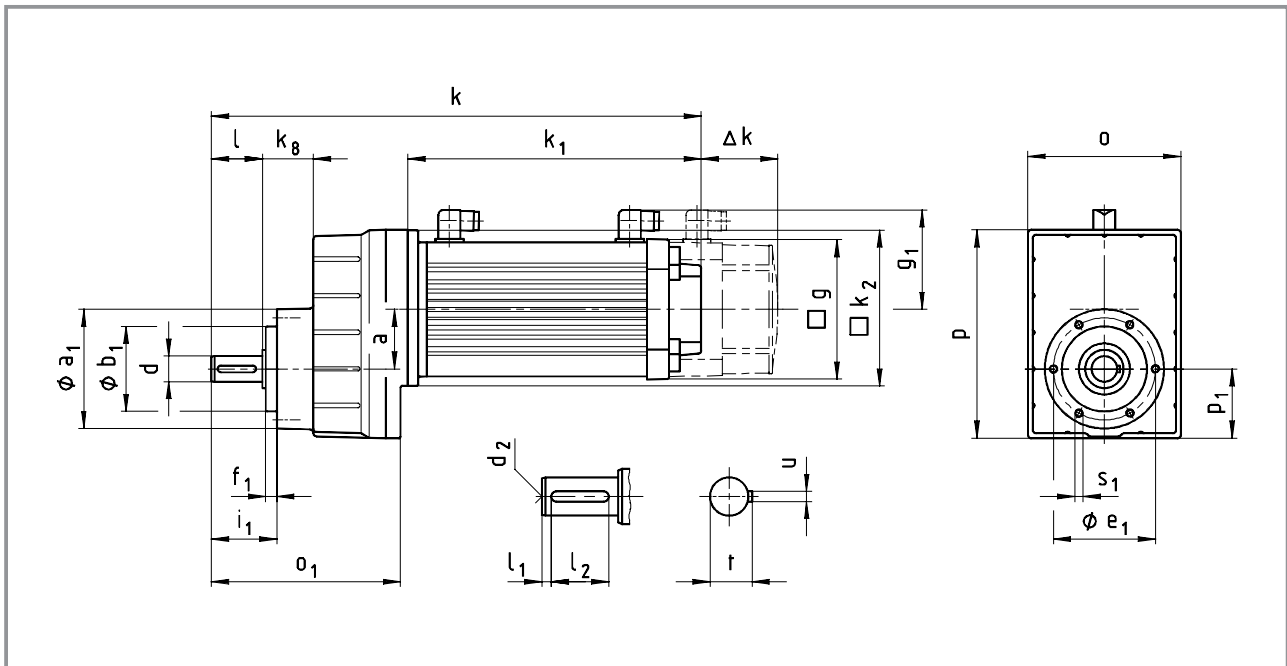
Dimensions in [mm]

* Observe dimension k₂.

** See page 8-34 for more built-on accessories for motors

Dimensions - Helical gearboxes

Geared servo motors with resolver



3

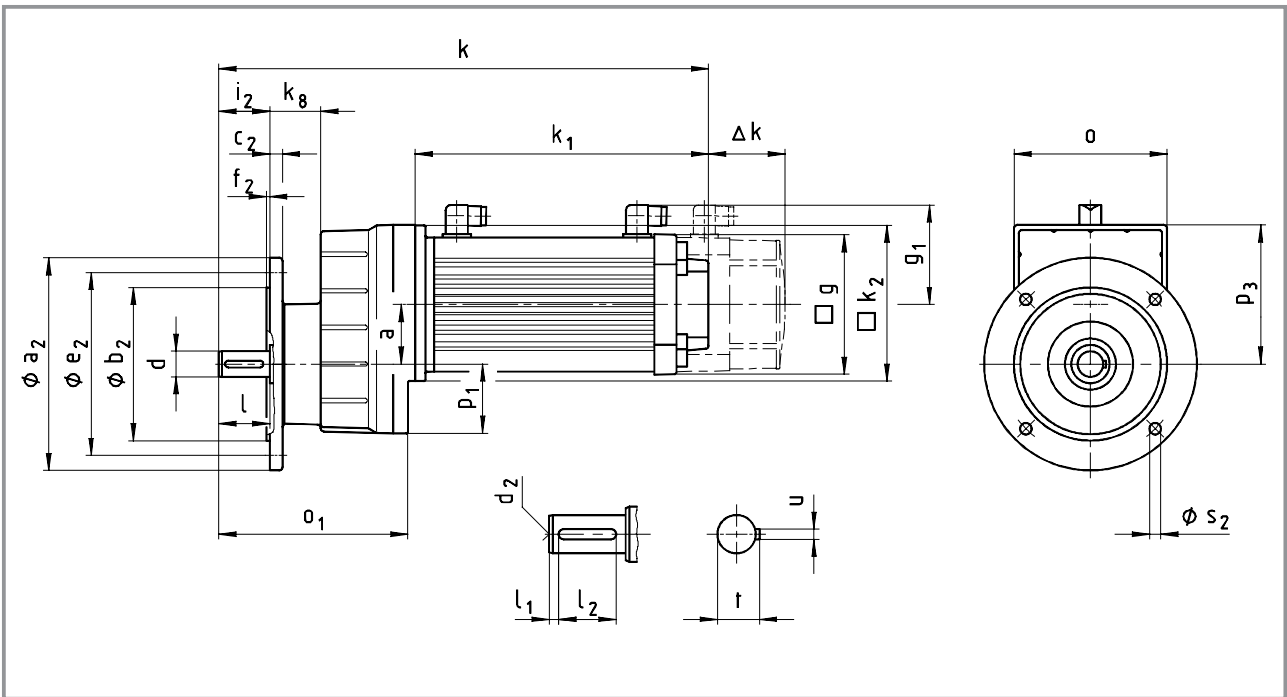
| Geared servo motor | | S (synchronous servo motors) | | | | | A (asynchronous servo motors) | | | | | | | | | | |
|--------------------------|-------------------------|------------------------------|-----|----------------|-----|----------------|-------------------------------|-----|-----|-----|-----|-----|-----|-----|-----|-----|-----|
| GST□□ - 1 A S VCR | | 056 | | 071 | | | 056 | 071 | 080 | 090 | 100 | 112 | | | | | |
| | | C23 | C33 | C03 | C13 | C33 | C22 | C22 | C22 | C22 | C22 | C22 | | | | | |
| Motor | g | 102 | 102 | 131 | 131 | 131 | 102 | 131 | 142 | 165 | 192 | 214 | | | | | |
| | g ₁ | 90 | 90 | 102 | 102 | 102 | 90 | 102 | 109 | 118 | 136 | 147 | | | | | |
| | k ₂ | 145 | 145 | 145 | 145 | 145 | 145 | 145 | 180 | 180 | 222 | 265 | | | | | |
| | k ₁ | naturally ventilated | 207 | 242 | 215 | 250 | 285 | 258 | 267 | 307 | 346 | 408 | 479 | | | | |
| | Δk** | naturally ventilated+brake | 27 | 27 | 35 | 35 | 35 | 25 | 35 | 33 | 35 | 38 | 42 | | | | |
| | forced ventilated | - | - | 68 | 68 | 68 | - | 68 | 62 | 89 | 97 | 96 | | | | | |
| | forced ventilated+brake | - | - | 103 | 103 | 103 | - | 103 | 95 | 124 | 135 | 138 | | | | | |
| Gearbox size | Gearbox | | | | | | Overall length | | | | | | | | | | |
| | o* | o ₁ | p* | p ₁ | a | k ₈ | k | | | | | | | | | | |
| 04 | 100 | 134 | 129 | 41 | 36 | 35 | 355 | 390 | 364 | 399 | 434 | 407 | 415 | | | | |
| 05 | 115 | 165 | 156 | 51 | 45 | 43 | 376 | 411 | 385 | 420 | 455 | 428 | 436 | 486 | | | |
| 06 | 145 | 191 | 194 | 63 | 56 | 48 | 399 | 434 | 408 | 443 | 478 | 451 | 459 | 509 | 548 | | |
| 07 | 180 | 223 | 245 | 82 | 70 | 60 | 428 | 463 | 437 | 472 | 507 | 480 | 488 | 538 | 577 | 646 | 724 |
| 09 | 222 | 271 | 304 | 101 | 89 | 74 | | | | | | | | 581 | 620 | 689 | 767 |

| Gearbox size | Solid shaft | | | | | | | | Pitch circle | | | | | |
|--------------|-------------|----|----------------|----------------|----------------|----|------|----------------|----------------------|----------------|----------------|----------------|---------------------------|--|
| | d k6 | l | l ₁ | l ₂ | d ₂ | u | t | a ₁ | b ₁ h7 | e ₁ | f ₁ | i ₁ | s ₁ 6 x 60° | |
| 04 | 16 | 32 | 6 | 20 | M5 | 5 | 18 | 72 | 48 | 61 | 8 | 43 | M5x10 | |
| 05 | 20 | 40 | 6 | 28 | M6 | 6 | 22.5 | 88 | 58 | 74 | 9 | 52 | M6x12 | |
| 06 | 25 | 50 | 4 | 40 | M10 | 8 | 28 | 109 | 70 | 90 | 11 | 64 | M8x14 | |
| 07 | 30 | 60 | 7.5 | 45 | M10 | 8 | 33 | 140 | 100 | 120 | 13 | 77 | M10x18 | |
| 09 | 40 | 80 | 8.5 | 63 | M16 | 12 | 43 | 174 | 120 | 145 | 15 | 100 | M12x20 | |

Dimensions in [mm] * Observe dimension k₂.
 ** See page 8-34 for more built-on accessories for motors

Dimensions - Helical gearboxes

Geared servo motors with resolver



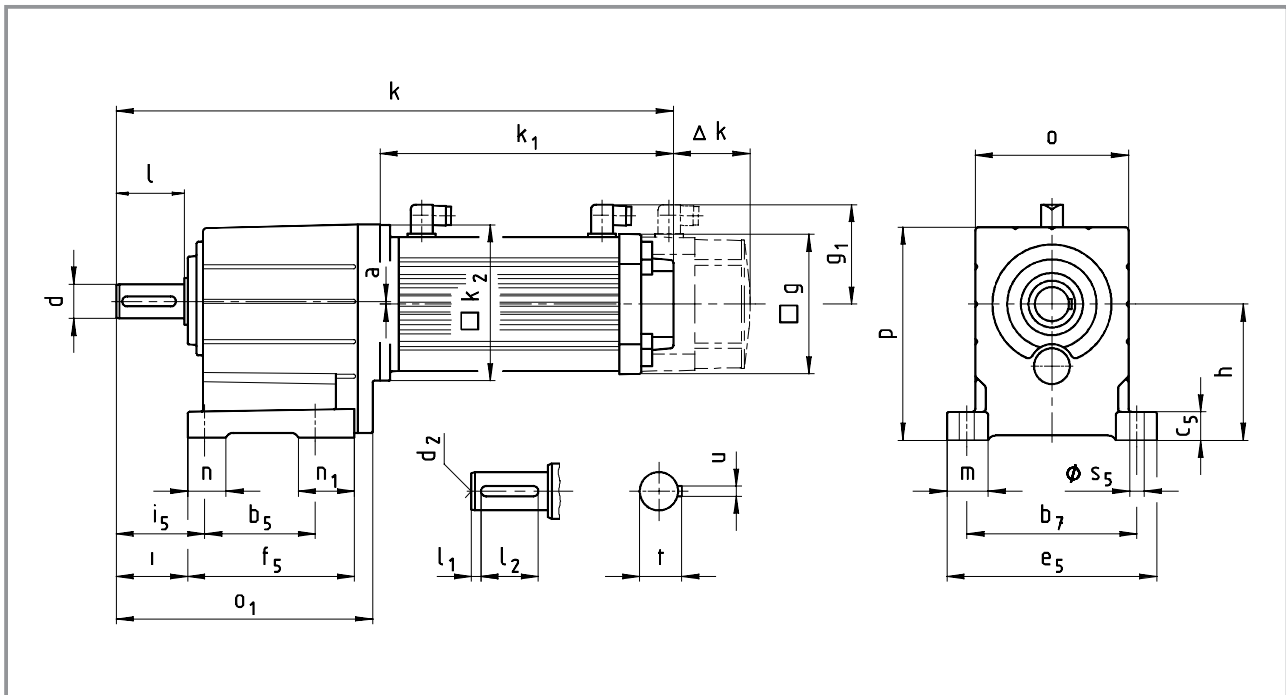
| Geared servo motor GST□□ - 1^A_S VCK | | S (synchronous servo motors) | | | | | A (asynchronous servo motors) | | | | | | | | | | |
|--|-------------------------|------------------------------|----------------|------------------|-----|----------------|-------------------------------|-----|-----|-----|-----|-----|-----|-----|-----|-----|-----|
| | | 056 | | 071 | | | 056 | 071 | 080 | 090 | 100 | 112 | | | | | |
| | | C23 | C33 | C03 | C13 | C33 | C22 | C22 | C22 | C22 | C22 | C22 | | | | | |
| Motor | g | 102 | 102 | 131 | 131 | 131 | 102 | 131 | 142 | 165 | 192 | 214 | | | | | |
| | g ₁ | 90 | 90 | 102 | 102 | 102 | 90 | 102 | 109 | 118 | 136 | 147 | | | | | |
| | k ₂ | 145 | 145 | 145 | 145 | 145 | 145 | 145 | 180 | 180 | 222 | 265 | | | | | |
| | k ₁ | naturally ventilated | 207 | 242 | 215 | 250 | 285 | 258 | 267 | 307 | 346 | 408 | 479 | | | | |
| | Δk** | naturally ventilated+brake | 27 | 27 | 35 | 35 | 35 | 25 | 35 | 33 | 35 | 38 | 42 | | | | |
| | forced ventilated | - | - | 68 | 68 | 68 | - | 68 | 62 | 89 | 97 | 96 | | | | | |
| | forced ventilated+brake | - | - | 103 | 103 | 103 | - | 103 | 95 | 124 | 135 | 138 | | | | | |
| Gearbox size | Gearbox | | | | | | Overall length k | | | | | | | | | | |
| | o* | o ₁ | p ₁ | p ₃ * | a | k ₈ | | | | | | | | | | | |
| 04 | 100 | 134 | 41 | 88 | 36 | 35 | 355 | 390 | 364 | 399 | 434 | 407 | 415 | | | | |
| 05 | 115 | 165 | 51 | 105 | 45 | 43 | 376 | 411 | 385 | 420 | 455 | 428 | 436 | 486 | | | |
| 06 | 145 | 191 | 63 | 131 | 56 | 48 | 399 | 434 | 408 | 443 | 478 | 451 | 459 | 509 | 548 | | |
| 07 | 180 | 223 | 82 | 164 | 70 | 60 | 428 | 463 | 437 | 472 | 507 | 480 | 488 | 538 | 577 | 646 | 724 |
| 09 | 222 | 271 | 101 | 204 | 89 | 74 | | | | | | | | 581 | 620 | 689 | 767 |

| Gearbox size | Solid shaft | | | | | | | Output flange | | | | | | |
|--------------|-------------|----|----------------|----------------|----------------|----|------|----------------|----------------------|----------------|----------------|----------------|----------------|---------------------------|
| | d k6 | l | l ₁ | l ₂ | d ₂ | u | t | a ₂ | b ₂ j7 | c ₂ | e ₂ | f ₂ | i ₂ | s ₂ 4 x 90° |
| 04 | 16 | 32 | 6 | 20 | M5 | 5 | 18 | 120 | 80 | 10 | 100 | 3 | 32 | 7 |
| | | | | | | | | 140 | 95 | | 115 | 3 | | 9 |
| | | | | | | | | 160 | 110 | | 130 | 3.5 | | 9 |
| 05 | 20 | 40 | 6 | 28 | M6 | 6 | 22.5 | 120 | 80 | 10 | 100 | 3 | 40 | 7 |
| | | | | | | | | 140 | 95 | 10 | 115 | 3 | | 9 |
| | | | | | | | | 160 | 110 | 10 | 130 | 3.5 | | 9 |
| | | | | | | | | 200 | 130 | 12 | 165 | 3.5 | | 11 |
| 06 | 25 | 50 | 4 | 40 | M10 | 8 | 28 | 160 | 110 | 12 | 130 | 3.5 | 50 | 9 |
| | | | | | | | | 200 | 130 | | 165 | | 11 | |
| 07 | 30 | 60 | 7.5 | 45 | M10 | 8 | 33 | 200 | 130 | 14 | 165 | 3.5 | 60 | 11 |
| | | | | | | | | 250 | 180 | 15 | 215 | 4 | | 13.5 |
| 09 | 40 | 80 | 8.5 | 63 | M16 | 12 | 43 | 250 | 180 | 16 | 215 | 4 | 80 | 13.5 |
| | | | | | | | | 300 | 230 | 18 | 265 | | | |

Dimensions in [mm] * Observe dimension k₂.
 ** See page 8-34 for more built-on accessories for motors

Dimensions - Helical gearboxes

Geared servo motors with resolver



| Geared servo motor | | S (synchronous servo motors) | | | | | A (asynchronous servo motors) | | | | | | | | | | | |
|---|-------------------------------------|------------------------------|-----|-----|-----|----------------|-------------------------------|-----|-----|-----|-----|-----|-----|-----|-----|-----|-----|------|
| GST□□ - 2 ^A _S VBR | | 056 | | 071 | | | 056 | 071 | 080 | 090 | 100 | 112 | | | | | | |
| | | C23 | C33 | C03 | C13 | C33 | C22 | C22 | C22 | C22 | C22 | C22 | | | | | | |
| Motor | g | 102 | 102 | 131 | 131 | 131 | 102 | 131 | 142 | 165 | 192 | 214 | | | | | | |
| | g ₁ | 90 | 90 | 102 | 102 | 102 | 90 | 102 | 109 | 118 | 136 | 147 | | | | | | |
| | k ₂ | 145 | 145 | 145 | 145 | 145 | 145 | 145 | 180 | 180 | 222 | 265 | | | | | | |
| | k ₁ naturally ventilated | 207 | 242 | 215 | 250 | 285 | 258 | 267 | 307 | 346 | 408 | 479 | | | | | | |
| | Δk** naturally ventilated+brake | 27 | 27 | 35 | 35 | 35 | 25 | 35 | 33 | 35 | 38 | 42 | | | | | | |
| | forced ventilated | - | - | 68 | 68 | 68 | - | 68 | 62 | 89 | 97 | 96 | | | | | | |
| | forced ventilated+brake | - | - | 103 | 103 | 103 | - | 103 | 95 | 124 | 135 | 138 | | | | | | |
| Gearbox size | Gearbox | | | | | Overall length | | | | | | | | | | | | |
| | o* | o ₁ | p* | h | a | k | | | | | | | | | | | | |
| 04 | 100 | 174 | 132 | 80 | 0 | 395 | 430 | 404 | 439 | 474 | 447 | 455 | | | | | | |
| 05 | 115 | 214 | 159 | 100 | 1 | 425 | 460 | 434 | 469 | 504 | 477 | 485 | 535 | | | | | |
| 06 | 145 | 243 | 198 | 125 | 2 | 451 | 486 | 460 | 495 | 530 | 503 | 511 | 561 | 600 | | | | |
| 07 | 180 | 302 | 251 | 160 | 3 | 507 | 542 | 516 | 551 | 586 | 559 | 567 | 617 | 656 | 725 | 803 | | |
| 09 | 222 | 370 | 311 | 200 | 4 | | | | | | | | | | 680 | 719 | 788 | 866 |
| 11 | 270 | 433 | 385 | 250 | 4 | | | | | | | | | | 737 | 776 | 845 | 923 |
| 14 | 328 | 533 | 479 | 315 | 6 | | | | | | | | | | | | 935 | 1013 |

| Gearbox size | Solid shaft | | | | | | | | Foot | | | | | | | | | |
|--------------|-------------|-----|----------------|----------------|----------------|----|------|----------------|----------------|----------------|----------------|----------------|-----|----------------|------|----|----------------|----------------|
| | d | l | l ₁ | l ₂ | d ₂ | u | t | b ₅ | b ₇ | c ₅ | e ₅ | f ₅ | i | i ₅ | m | n | n ₁ | s ₅ |
| 04 | 20 | 40 | 5 | 28 | M6 | 6 | 22.5 | 76 | 105 | 18 | 129 | 112 | 43 | 53 | 24.5 | 20 | 36 | 9 |
| 05 | 25 | 50 | 4 | 40 | M10 | 8 | 28 | 90 | 125 | 23 | 155 | 139 | 53 | 66 | 32.5 | 26 | 49 | 11 |
| 06 | 30 | 60 | 6 | 45 | M10 | 8 | 33 | 106 | 160 | 28 | 196 | 157 | 64 | 79 | 38 | 35 | 52 | 13.5 |
| 07 | 40 | 80 | 7 | 63 | M16 | 12 | 43 | 130 | 200 | 34 | 247 | 196 | 84 | 104 | 48.5 | 45 | 66 | 18 |
| 09 | 50 | 100 | 8 | 80 | M16 | 14 | 53.5 | 165 | 245 | 44 | 298 | 239 | 105 | 127.5 | 54 | 48 | 74 | 18 |
| 11 | 60 | 120 | 8 | 100 | M20 | 18 | 64 | 200 | 300 | 54 | 368 | 280 | 125 | 155 | 69 | 65 | 80 | 22 |
| 14 | 80 | 160 | 15 | 125 | M20 | 22 | 85 | 250 | 380 | 65 | 460 | 340 | 165 | 200 | 85 | 85 | 91 | 26 |

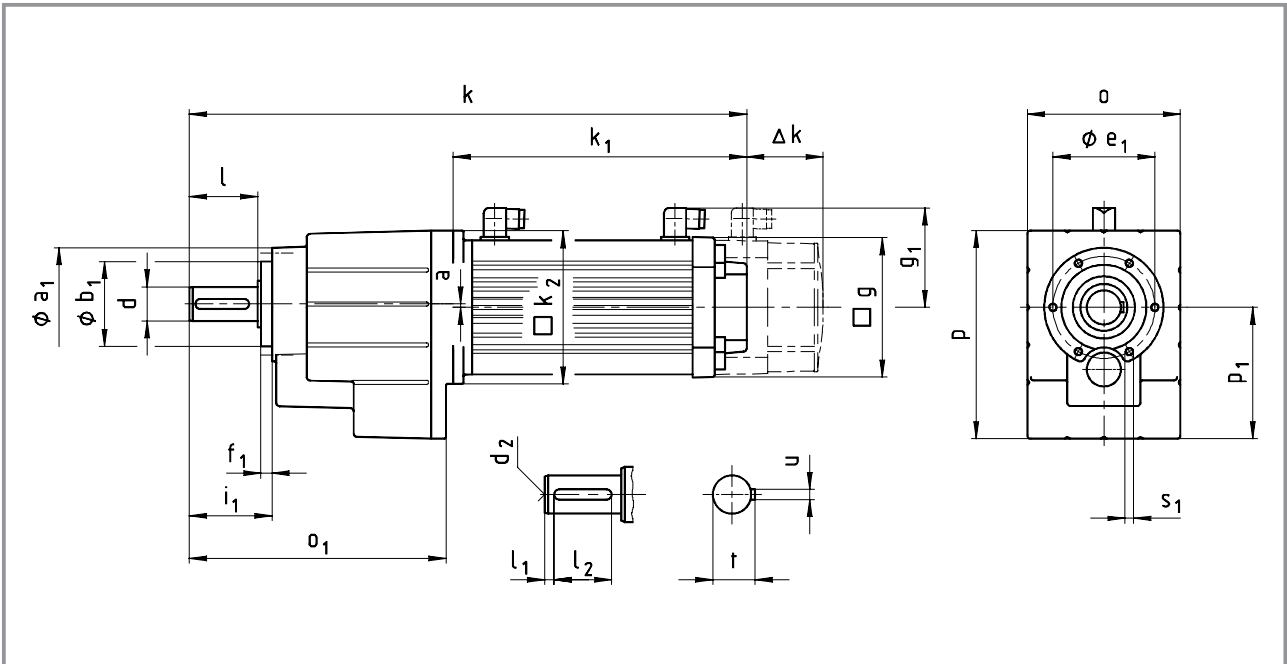
Dimensions in [mm] d ≤ 50 mm: k6
d > 50 mm: m6

* Observe dimension k₂

** See page 8-34 for more built-on accessories for motors

Dimensions - Helical gearboxes

Geared servo motors with resolver



| Geared servo motor | | S (synchronous servo motors) | | | | | A (asynchronous servo motors) | | | | | | | | | |
|--------------------|----------------------------|------------------------------|-----|----------------|-----|----------------|-------------------------------|-----|-----|-----|-----|-----|-----|-----|-----|------|
| GST□□ - 2 A S VCR | | 056 | | 071 | | | 056 | 071 | 080 | 090 | 100 | 112 | | | | |
| | | C23 | C33 | C03 | C13 | C33 | C22 | C22 | C22 | C22 | C22 | C22 | | | | |
| Motor | g | 102 | 102 | 131 | 131 | 131 | 102 | 131 | 142 | 165 | 192 | 214 | | | | |
| | g ₁ | 90 | 90 | 102 | 102 | 102 | 90 | 102 | 109 | 118 | 136 | 147 | | | | |
| | k ₂ | 145 | 145 | 145 | 145 | 145 | 145 | 145 | 180 | 180 | 222 | 265 | | | | |
| | k ₁ | naturally ventilated | 207 | 242 | 215 | 250 | 285 | 258 | 267 | 307 | 346 | 408 | 479 | | | |
| Δk** | naturally ventilated+brake | 27 | 27 | 35 | 35 | 35 | 25 | 35 | 33 | 35 | 38 | 42 | | | | |
| | forced ventilated | - | - | 68 | 68 | 68 | - | 68 | 62 | 89 | 97 | 96 | | | | |
| | forced ventilated+brake | - | - | 103 | 103 | 103 | - | 103 | 95 | 124 | 135 | 138 | | | | |
| Gearbox size | Gearbox | | | | | Overall length | | | | | | | | | | |
| | o* | o ₁ | p* | p ₁ | a | k | | | | | | | | | | |
| 04 | 100 | 174 | 129 | 77 | 0 | 395 | 430 | 404 | 439 | 474 | 447 | 455 | | | | |
| 05 | 115 | 214 | 156 | 98 | 1 | 425 | 460 | 434 | 469 | 504 | 477 | 485 | 535 | | | |
| 06 | 145 | 243 | 194 | 121 | 2 | 451 | 486 | 460 | 495 | 530 | 503 | 511 | 561 | 600 | | |
| 07 | 180 | 302 | 245 | 155 | 3 | 507 | 542 | 516 | 551 | 586 | 559 | 567 | 617 | 656 | 725 | 803 |
| 09 | 222 | 370 | 304 | 194 | 4 | | | | | | | | 680 | 719 | 788 | 866 |
| 11 | 270 | 433 | 378 | 243 | 4 | | | | | | | | 737 | 776 | 845 | 923 |
| 14 | 328 | 533 | 470 | 306 | 6 | | | | | | | | | | 935 | 1013 |

| Gearbox size | Solid shaft | | | | | | | | Pitch circle | | | | | |
|--------------|-------------|-----|----------------|----------------|----------------|----|------|----------------|----------------------|----------------|----------------|----------------|---------------------------|--|
| | d | l | l ₁ | l ₂ | d ₂ | u | t | a ₁ | b ₁ j7 | e ₁ | f ₁ | i ₁ | s ₁ 6 x 60° | |
| 04 | 20 | 40 | 5 | 28 | M6 | 6 | 22.5 | 72 | 48 | 61 | 8 | 51 | M5x10 | |
| 05 | 25 | 50 | 4 | 40 | M10 | 8 | 28 | 88 | 58 | 74 | 9 | 62 | M6x12 | |
| 06 | 30 | 60 | 6 | 45 | M10 | 8 | 33 | 109 | 70 | 90 | 10 | 74 | M8x14 | |
| 07 | 40 | 80 | 7 | 63 | M16 | 12 | 43 | 140 | 100 | 120 | 13 | 97 | M10x18 | |
| 09 | 50 | 100 | 8 | 80 | M16 | 14 | 53.5 | 174 | 120 | 145 | 15 | 120 | M12x20 | |
| 11 | 60 | 120 | 8 | 100 | M20 | 18 | 64 | 215 | 150 | 185 | 18 | 143 | M16x26 | |
| 14 | 80 | 160 | 15 | 125 | M20 | 22 | 85 | 265 | 195 | 230 | 22 | 187 | M20x34 | |

Dimensions in [mm]

d ≤ 50 mm: k6
d > 50 mm: m6

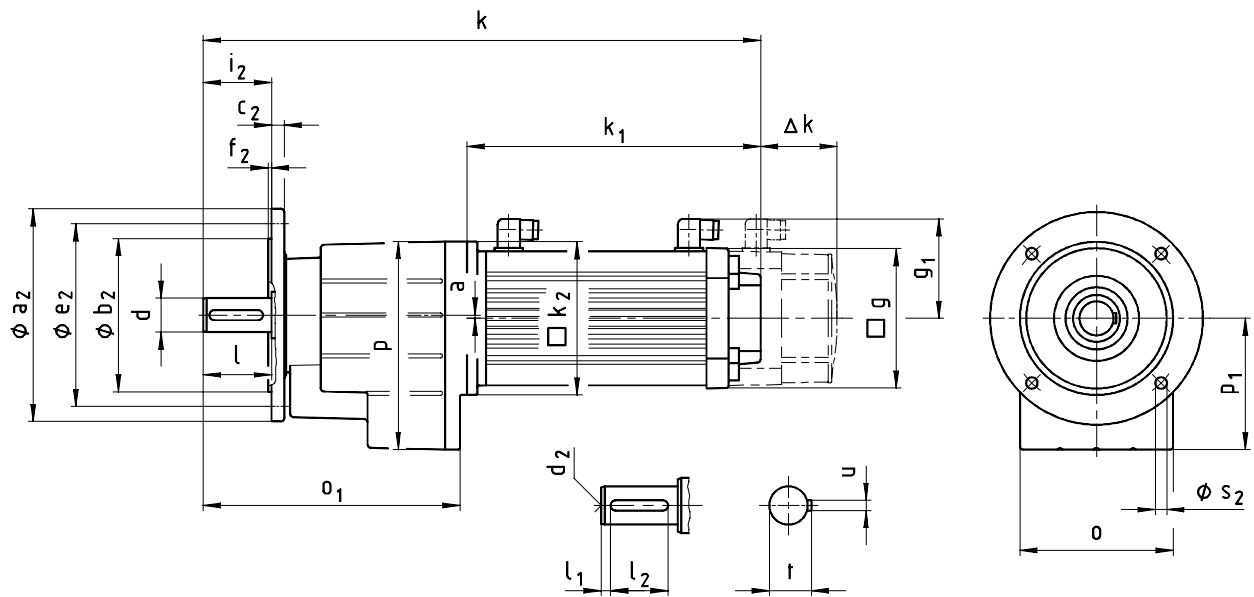
* Observe dimension k₂

** See page 8-34 for more built-on accessories for motors

Dimensions - Helical gearboxes

Geared servo motors with resolver

GST□□ - 2 $\frac{A}{S}$ VCK



Dimensions - Helical gearboxes

Geared servo motors with resolver



| Geared servo motor GST□□ - 2 ^A _S VCK | | S (synchronous servo motors) | | | | | A (asynchronous servo motors) | | | | | | | | | |
|---|-------------------------------------|------------------------------|-----|----------------|-----|------------------|-------------------------------|-----|-----|-----|-----|-----|-----|-----|-----|------|
| | | 056 | | 071 | | | 056 | 071 | 080 | 090 | 100 | 112 | | | | |
| | | C23 | C33 | C03 | C13 | C33 | C22 | C22 | C22 | C22 | C22 | C22 | | | | |
| Motor | g | 102 | 102 | 131 | 131 | 131 | 102 | 131 | 142 | 165 | 192 | 214 | | | | |
| | g ₁ | 90 | 90 | 102 | 102 | 102 | 90 | 102 | 109 | 118 | 136 | 147 | | | | |
| | k ₂ | 145 | 145 | 145 | 145 | 145 | 145 | 145 | 180 | 180 | 222 | 265 | | | | |
| | k ₁ naturally ventilated | 207 | 242 | 215 | 250 | 285 | 258 | 267 | 307 | 346 | 408 | 479 | | | | |
| | Δk** naturally ventilated+brake | 27 | 27 | 35 | 35 | 35 | 25 | 35 | 33 | 35 | 38 | 42 | | | | |
| | forced ventilated | - | - | 68 | 68 | 68 | - | 68 | 62 | 89 | 97 | 96 | | | | |
| | forced ventilated+brake | - | - | 103 | 103 | 103 | - | 103 | 95 | 124 | 135 | 138 | | | | |
| Gearbox size | Gearbox | | | | | Overall length k | | | | | | | | | | |
| | o° | o ₁ | p* | p ₁ | a | | | | | | | | | | | |
| 04 | 100 | 174 | 129 | 77 | 0 | 395 | 430 | 404 | 439 | 474 | 447 | 455 | | | | |
| 05 | 115 | 214 | 156 | 98 | 1 | 425 | 460 | 434 | 469 | 504 | 477 | 485 | 535 | | | |
| 06 | 145 | 243 | 194 | 121 | 2 | 451 | 486 | 460 | 495 | 530 | 503 | 511 | 561 | 600 | | |
| 07 | 180 | 302 | 245 | 155 | 3 | 507 | 542 | 516 | 551 | 586 | 559 | 567 | 617 | 656 | 725 | 803 |
| 09 | 222 | 370 | 304 | 194 | 4 | | | | | | | | 680 | 719 | 788 | 866 |
| 11 | 270 | 433 | 378 | 243 | 4 | | | | | | | | 737 | 776 | 845 | 923 |
| 14 | 328 | 533 | 470 | 306 | 6 | | | | | | | | | | 935 | 1013 |

| Gearbox size | Solid shaft | | | | | | | Output flange | | | | | | |
|--------------|-------------|-----|----------------|----------------|----------------|----|------|----------------|----------------------|----------------|----------------|----------------|----------------|---------------------------|
| | d k6 | l | l ₁ | l ₂ | d ₂ | u | t | a ₂ | b ₂ j7 | c ₂ | e ₂ | f ₂ | i ₂ | s ₂ 4 x 90° |
| 04 | 20 | 40 | 5 | 28 | M6 | 6 | 22.5 | 120 | 80 | 10 | 100 | 3 | 40 | 7 |
| | | | | | | | | 140 | 95 | | 115 | 3 | | 9 |
| | | | | | | | | 160 | 110 | | 130 | 3.5 | | 9 |
| 05 | 25 | 50 | 4 | 40 | M10 | 8 | 28 | 120 | 80 | 10 | 100 | 3 | 50 | 7 |
| | | | | | | | | 140 | 95 | | 115 | 3 | | 9 |
| | | | | | | | | 160 | 110 | | 130 | 3.5 | | 9 |
| | | | | | | | | 200 | 130 | | 165 | 3.5 | | 11 |
| 06 | 30 | 60 | 6 | 45 | M10 | 8 | 33 | 160 | 110 | 12 | 130 | 3.5 | 60 | 9 |
| | | | | | | | | 200 | 130 | | 165 | 3.5 | | 11 |
| 07 | 40 | 80 | 7 | 63 | M16 | 12 | 43 | 200 | 130 | 14 | 165 | 3.5 | 80 | 11 |
| | | | | | | | | 250 | 180 | | 215 | 4 | | 14 |
| 09 | 50 | 100 | 8 | 80 | M16 | 14 | 53.5 | 250 | 180 | 16 | 215 | 4 | 100 | 14 |
| | | | | | | | | 300 | 230 | | 265 | 4 | | 14 |
| 11 | 60 | 120 | 8 | 100 | M20 | 18 | 64 | 300 | 230 | 18 | 265 | 4 | 120 | 14 |
| | | | | | | | | 350 | 250 | | 300 | 5 | | 18 |
| 14 | 80 | 160 | 15 | 125 | M20 | 22 | 85 | 350 | 250 | 22 | 300 | 5 | 160 | 18 |
| | | | | | | | | 400 | 300 | | 350 | 5 | | 18 |

Dimensions in [mm]

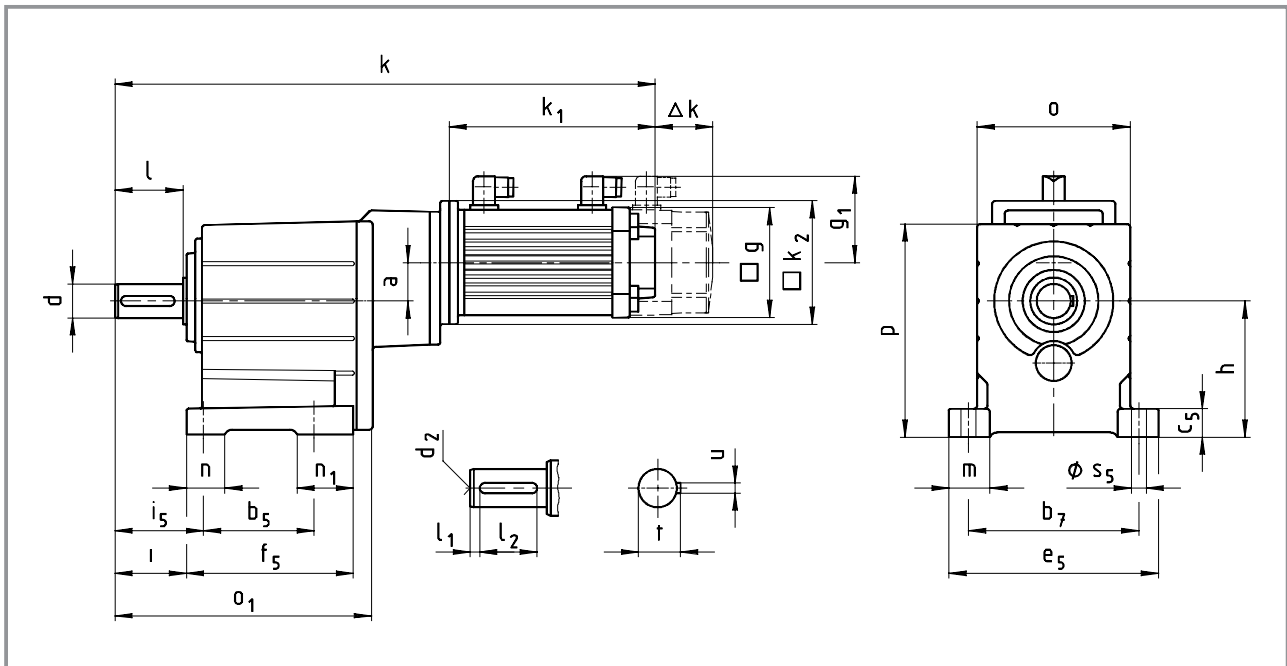
d ≤ 50 mm: k6
d > 50 mm: m6

* Observe dimension k2

** See page 8-34 for more built-on accessories for motors

Dimensions - Helical gearboxes

Geared servo motors with resolver



| Geared servo motor | | S (synchronous servo motors) | | | | | A (asynchronous servo motors) | | | | | | | | | | | |
|---|-------------------------------------|------------------------------|-----|-----|-----|----------------|-------------------------------|-----|-----|-----|-----|-----|------|------|------|------|--|--|
| GST□□ - 3 ^A _S VBR | | 056 | | 071 | | | 056 | 071 | 080 | 090 | 100 | 112 | | | | | | |
| | | C23 | C33 | C03 | C13 | C33 | C22 | C22 | C22 | C22 | C22 | C22 | | | | | | |
| Motor | g | 102 | 102 | 131 | 131 | 131 | 102 | 131 | 142 | 165 | 192 | 214 | | | | | | |
| | g ₁ | 90 | 90 | 102 | 102 | 102 | 90 | 102 | 109 | 118 | 136 | 147 | | | | | | |
| | k ₂ | 145 | 145 | 145 | 145 | 145 | 145 | 145 | 180 | 180 | 222 | 265 | | | | | | |
| | k ₁ naturally ventilated | 207 | 242 | 215 | 250 | 285 | 258 | 267 | 307 | 346 | 408 | 479 | | | | | | |
| | Δk** forced ventilated+brake | 27 | 27 | 35 | 35 | 35 | 25 | 35 | 33 | 35 | 38 | 42 | | | | | | |
| | forced ventilated | - | - | 68 | 68 | 68 | - | 68 | 62 | 89 | 97 | 96 | | | | | | |
| | forced ventilated+brake | - | - | 103 | 103 | 103 | - | 103 | 95 | 124 | 135 | 138 | | | | | | |
| Gearbox size | Gearbox | | | | | Overall length | | | | | | | | | | | | |
| | o* | o ₁ | p* | h | a | k | | | | | | | | | | | | |
| 05 | 115 | 208 | 159 | 100 | 35 | 502 | 537 | 510 | 545 | 580 | 553 | 562 | | | | | | |
| 06 | 145 | 240 | 198 | 125 | 34 | 545 | 580 | 553 | 588 | 623 | 596 | 605 | | | | | | |
| 07 | 180 | 302 | 251 | 160 | 42 | 612 | 647 | 620 | 655 | 690 | 663 | 672 | 722 | | | | | |
| 09 | 222 | 370 | 311 | 200 | 52 | 693 | 728 | 701 | 736 | 771 | 744 | 753 | 803 | 842 | | | | |
| 11 | 270 | 433 | 385 | 250 | 66 | 769 | 804 | 777 | 812 | 847 | 820 | 829 | 879 | 918 | 986 | 1065 | | |
| 14 | 328 | 533 | 479 | 315 | 83 | | | | | | | | 1003 | 1042 | 1110 | 1189 | | |

| Gearbox size | Solid shaft | | | | | | | | Foot | | | | | | | | | |
|--------------|-------------|-----|----------------|----------------|----------------|----|------|----------------|----------------|----------------|----------------|----------------|-----|----------------|------|----|----------------|----------------|
| | d | l | l ₁ | l ₂ | d ₂ | u | t | b ₅ | b ₇ | c ₅ | e ₅ | f ₅ | i | i ₅ | m | n | n ₁ | s ₅ |
| 05 | 25 | 50 | 4 | 40 | M10 | 8 | 28 | 90 | 125 | 23 | 155 | 139 | 53 | 66 | 32.5 | 26 | 49 | 11 |
| 06 | 30 | 60 | 6 | 45 | M10 | 8 | 33 | 106 | 160 | 28 | 196 | 157 | 64 | 79 | 38 | 35 | 52 | 13.5 |
| 07 | 40 | 80 | 7 | 63 | M16 | 12 | 43 | 130 | 200 | 34 | 247 | 196 | 84 | 104 | 48.5 | 45 | 66 | 18 |
| 09 | 50 | 100 | 8 | 80 | M16 | 14 | 53.5 | 165 | 245 | 44 | 298 | 239 | 105 | 127.5 | 54 | 48 | 74 | 18 |
| 11 | 60 | 120 | 8 | 100 | M20 | 18 | 64 | 200 | 300 | 54 | 368 | 280 | 125 | 155 | 69 | 65 | 80 | 22 |
| 14 | 80 | 160 | 15 | 125 | M20 | 22 | 85 | 250 | 380 | 65 | 460 | 340 | 165 | 200 | 85 | 85 | 91 | 26 |

Dimensions in [mm]

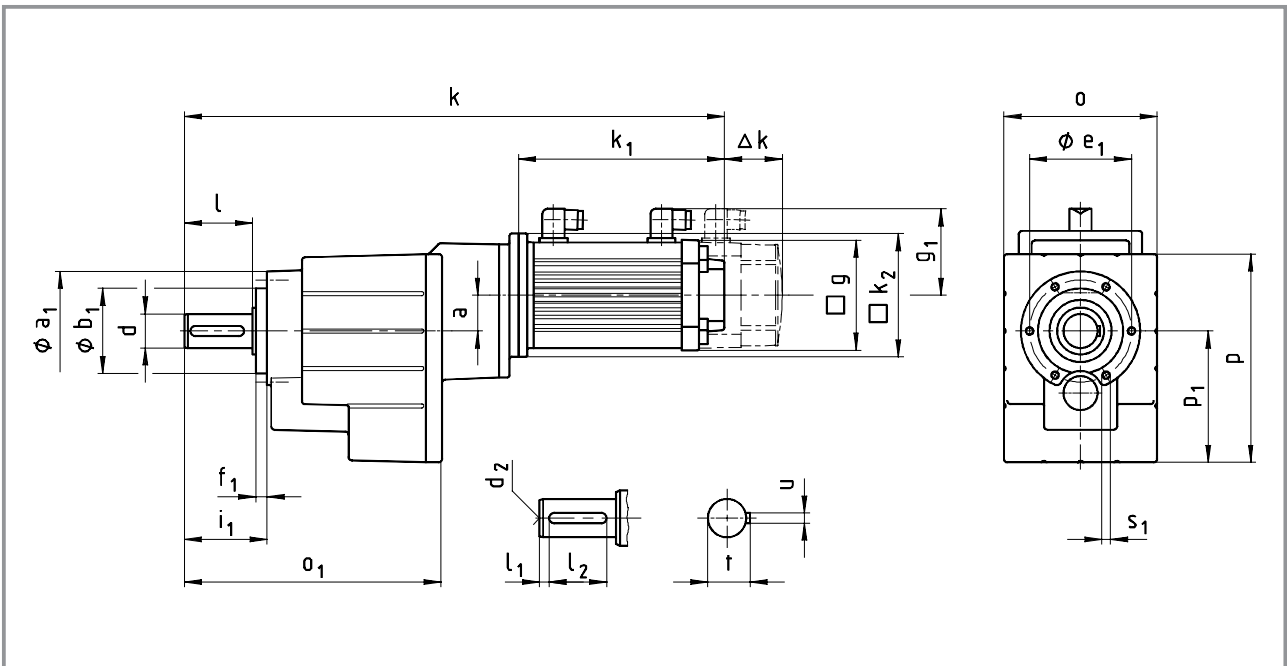
d ≤ 50 mm: k6
d > 50 mm: m6

* Observe dimension k₂

** See page 8-34 for more built-on accessories for motors

Dimensions - Helical gearboxes

Geared servo motors with resolver



| Geared servo motor | | S (synchronous servo motors) | | | | | A (asynchronous servo motors) | | | | | | | | | |
|--------------------------|-------------------------|------------------------------|-----|----------------|-----|----------------|-------------------------------|-----|-----|-----|-----|-----|------|------|------|------|
| GST□□ - 3 A S VCR | | 056 | | 071 | | | 056 | 071 | 080 | 090 | 100 | 112 | | | | |
| | | C23 | C33 | C03 | C13 | C33 | C22 | C22 | C22 | C22 | C22 | C22 | | | | |
| Motor | g | 102 | 102 | 131 | 131 | 131 | 102 | 131 | 142 | 165 | 192 | 214 | | | | |
| | g ₁ | 90 | 90 | 102 | 102 | 102 | 90 | 102 | 109 | 118 | 136 | 147 | | | | |
| | k ₂ | 145 | 145 | 145 | 145 | 145 | 145 | 145 | 180 | 180 | 222 | 265 | | | | |
| | k ₁ | naturally ventilated | 207 | 242 | 215 | 250 | 285 | 258 | 267 | 307 | 346 | 408 | 479 | | | |
| Δk** | forced ventilated+brake | 27 | 27 | 35 | 35 | 35 | 25 | 35 | 33 | 35 | 38 | 42 | | | | |
| | forced ventilated | - | - | 68 | 68 | 68 | - | 68 | 62 | 89 | 97 | 96 | | | | |
| | forced ventilated+brake | - | - | 103 | 103 | 103 | - | 103 | 95 | 124 | 135 | 138 | | | | |
| Gearbox size | Gearbox | | | | | Overall length | | | | | | | | | | |
| | o* | o ₁ | p* | p ₁ | a | k | | | | | | | | | | |
| 05 | 115 | 208 | 156 | 98 | 35 | 502 | 537 | 510 | 545 | 580 | 553 | 562 | | | | |
| 06 | 145 | 240 | 194 | 121 | 34 | 545 | 580 | 553 | 588 | 623 | 596 | 605 | | | | |
| 07 | 180 | 302 | 245 | 155 | 42 | 612 | 647 | 620 | 655 | 690 | 663 | 672 | 722 | | | |
| 09 | 222 | 370 | 304 | 194 | 52 | 693 | 728 | 701 | 736 | 771 | 744 | 753 | 803 | 842 | | |
| 11 | 270 | 433 | 378 | 243 | 66 | 769 | 804 | 777 | 812 | 847 | 820 | 829 | 879 | 918 | 986 | 1065 |
| 14 | 328 | 533 | 470 | 306 | 83 | | | | | | | | 1003 | 1042 | 1110 | 1189 |

| Gearbox size | d | l | l ₁ | Solid shaft | | | | Pitch circle | | | | | | |
|--------------|----|-----|----------------|----------------|----------------|----|------|----------------|----------------------|----------------|----------------|----------------|---------------------------|--|
| | | | | l ₂ | d ₂ | u | t | a ₁ | b ₁ j7 | e ₁ | f ₁ | i ₁ | s ₁ 6 x 60° | |
| 05 | 25 | 50 | 4 | 40 | M10 | 8 | 28 | 88 | 58 | 74 | 9 | 62 | M6x12 | |
| 06 | 30 | 60 | 6 | 45 | M10 | 8 | 33 | 109 | 70 | 90 | 10 | 74 | M8x14 | |
| 07 | 40 | 80 | 7 | 63 | M16 | 12 | 43 | 140 | 100 | 120 | 13 | 97 | M10x18 | |
| 09 | 50 | 100 | 8 | 80 | M16 | 14 | 53.5 | 174 | 120 | 145 | 15 | 120 | M12x20 | |
| 11 | 60 | 120 | 8 | 100 | M20 | 18 | 64 | 215 | 150 | 185 | 18 | 143 | M16x26 | |
| 14 | 80 | 160 | 15 | 125 | M20 | 22 | 85 | 265 | 195 | 230 | 22 | 187 | M20x34 | |

Dimensions in [mm]

d ≤ 50 mm: k6
d > 50 mm: m6

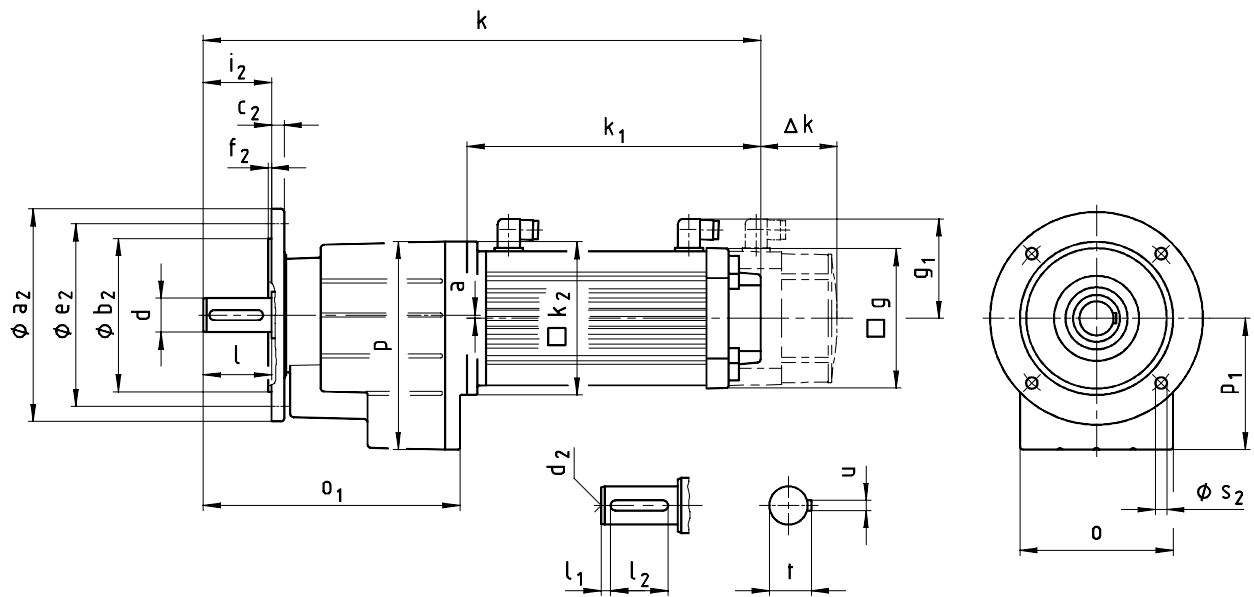
* Observe dimension k₂

** See page 8-34 for more built-on accessories for motors

Dimensions - Helical gearboxes

Geared servo motors with resolver

GST□□ - 3 $\frac{A}{S}$ VCK



Dimensions - Helical gearboxes

Geared servo motors with resolver



| Geared servo motor GST□□ - 3 ^A _S VCK | | S (synchronous servo motors) | | | | | A (asynchronous servo motors) | | | | | | | | | |
|---|---------|------------------------------|-----|----------------|-----|----------------|-------------------------------|-----|-----|-----|-----|-----|------|------|------|------|
| | | 056 | | 071 | | | 056 | 071 | 080 | 090 | 100 | 112 | | | | |
| | | C23 | C33 | C03 | C13 | C33 | C22 | C22 | C22 | C22 | C22 | C22 | | | | |
| g | | 102 | 102 | 131 | 131 | 131 | 102 | 131 | 142 | 165 | 192 | 214 | | | | |
| g ₁ | | 90 | 90 | 102 | 102 | 102 | 90 | 102 | 109 | 118 | 136 | 147 | | | | |
| k ₂ | | 145 | 145 | 145 | 145 | 145 | 145 | 145 | 180 | 180 | 222 | 265 | | | | |
| k ₁ naturally ventilated | | 207 | 242 | 215 | 250 | 285 | 258 | 267 | 307 | 346 | 408 | 479 | | | | |
| Δk** naturally ventilated+brake | | 27 | 27 | 35 | 35 | 35 | 25 | 35 | 33 | 35 | 38 | 42 | | | | |
| forced ventilated | | - | - | 68 | 68 | 68 | - | 68 | 62 | 89 | 97 | 96 | | | | |
| forced ventilated+brake | | - | - | 103 | 103 | 103 | - | 103 | 95 | 124 | 135 | 138 | | | | |
| Gearbox size | Gearbox | | | | | Overall length | | | | | | | | | | |
| | o° | o ₁ | p* | p ₁ | a | k | | | | | | | | | | |
| 05 | 115 | 208 | 156 | 98 | 35 | 502 | 537 | 510 | 545 | 580 | 553 | 562 | | | | |
| 06 | 145 | 240 | 194 | 121 | 34 | 545 | 580 | 553 | 588 | 623 | 596 | 605 | | | | |
| 07 | 180 | 302 | 245 | 155 | 42 | 612 | 647 | 620 | 655 | 690 | 663 | 672 | 722 | | | |
| 09 | 222 | 370 | 304 | 194 | 52 | 693 | 728 | 701 | 736 | 771 | 744 | 753 | 803 | 842 | | |
| 11 | 270 | 433 | 378 | 243 | 66 | 769 | 804 | 777 | 812 | 847 | 820 | 829 | 879 | 918 | 986 | 1065 |
| 14 | 328 | 533 | 470 | 306 | 83 | | | | | | | | 1003 | 1042 | 1110 | 1189 |

| Gearbox size | d | l | l ₁ | Solid shaft | | | | Output flange | | | | | | | |
|--------------|----|-----|----------------|----------------|----------------|----|------|----------------|----------------------|----------------|----------------|----------------|----------------|---------------------------|--|
| | | | | l ₂ | d ₂ | u | t | a ₂ | b ₂ j7 | c ₂ | e ₂ | f ₂ | i ₂ | s ₂ 4 x 90° | |
| 05 | 25 | 50 | 4 | 40 | M10 | 8 | 28 | 120 | 80 | 10 | 100 | 3 | 7 | | |
| | | | | | | | | 140 | 95 | 10 | 115 | 3 | 9 | | |
| | | | | | | | | 160 | 110 | 10 | 130 | 3.5 | 9 | | |
| | | | | | | | | 200 | 130 | 12 | 165 | 3.5 | 11 | | |
| 06 | 30 | 60 | 6 | 45 | M10 | 8 | 33 | 160 | 110 | 12 | 130 | 3.5 | 9 | | |
| | | | | | | | | 200 | 130 | 12 | 165 | 3.5 | 11 | | |
| 07 | 40 | 80 | 7 | 63 | M16 | 12 | 43 | 200 | 130 | 14 | 165 | 3.5 | 11 | | |
| | | | | | | | | 250 | 180 | 15 | 215 | 4 | 14 | | |
| 09 | 50 | 100 | 8 | 80 | M16 | 14 | 53.5 | 250 | 180 | 16 | 215 | 4 | 14 | | |
| | | | | | | | | 300 | 230 | 18 | 265 | 4 | 100 | | |
| 11 | 60 | 120 | 8 | 100 | M20 | 18 | 64 | 300 | 230 | 18 | 265 | 4 | 14 | | |
| | | | | | | | | 350 | 250 | 20 | 300 | 5 | 120 | | |
| 14 | 80 | 160 | 15 | 125 | M20 | 22 | 85 | 350 | 250 | 22 | 300 | 5 | 18 | | |
| | | | | | | | | 400 | 300 | 24 | 350 | 5 | 160 | | |

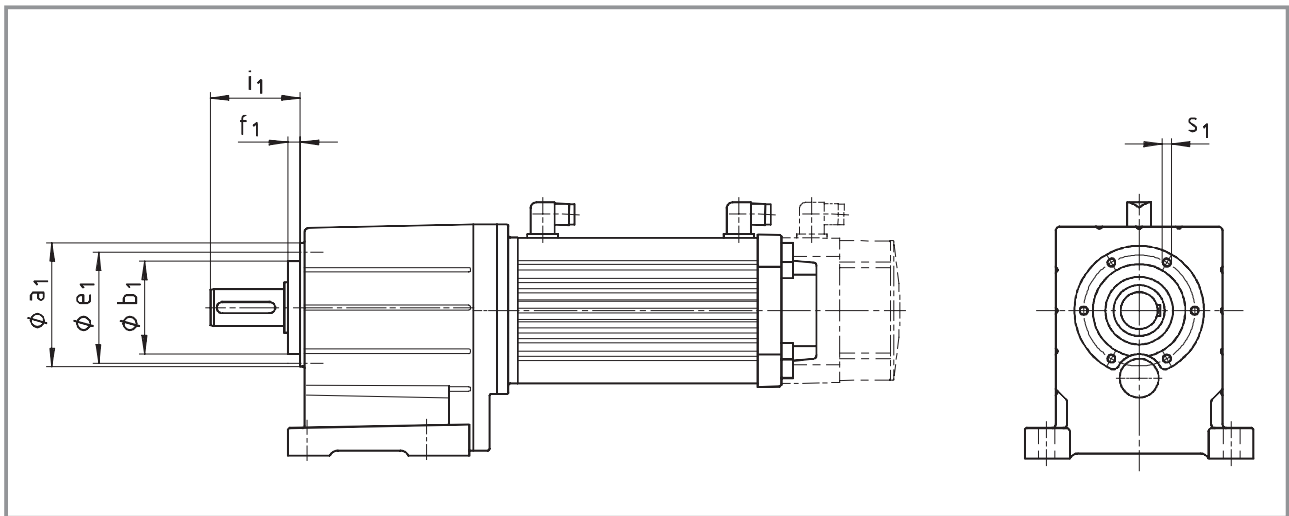
Dimensions in [mm]

d ≤ 50 mm: k6
d > 50 mm: m6

* Observe dimension k₂

** See page 8-34 for more built-on accessories for motors

Output design VAR



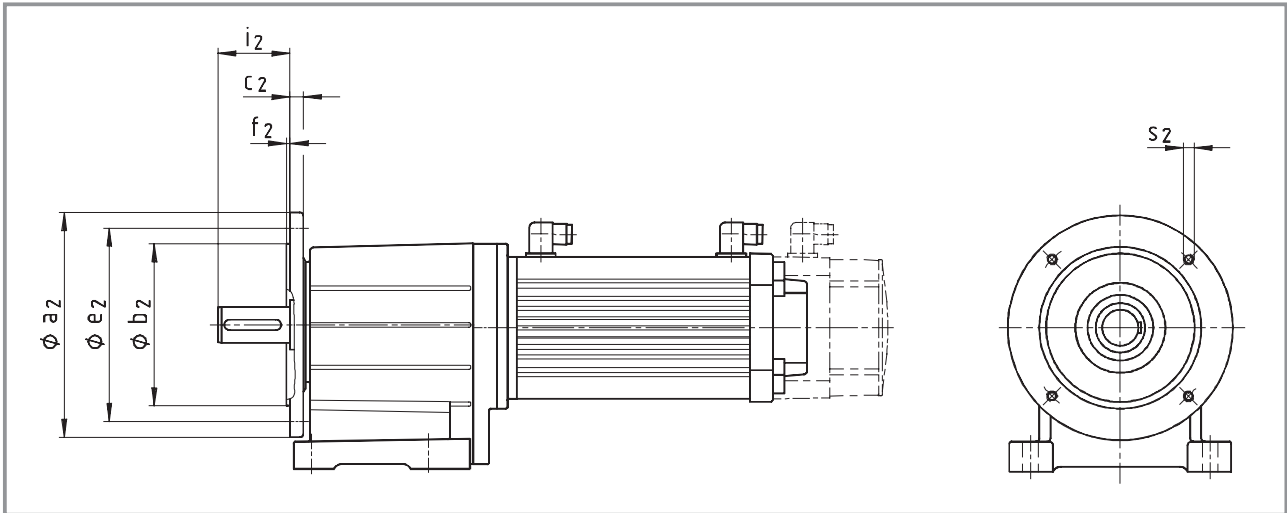
3

| Gearbox size a_1 | b_1 | e_1 h7 | f_1 | i_1 | s_1 | 6 x 60° |
|--------------------|-------|-------------|-------|-------|-------|---------|
| 04 | 72 | 48 | 61 | 8 | 51 | M5x10 |
| 05 | 88 | 58 | 74 | 9 | 62 | M6x12 |
| 06 | 109 | 70 | 90 | 10 | 74 | M8x14 |
| 07 | 140 | 100 | 120 | 13 | 97 | M10x8 |
| 09 | 174 | 120 | 145 | 15 | 120 | M12x20 |
| 11 | 215 | 150 | 185 | 18 | 143 | M16x26 |
| 14 | 265 | 195 | 230 | 22 | 187 | M20x34 |

Dimensions in [mm]



Output design VAL



| Gearbox size a_2 | b_2 | c_2 j7 | e_2 | f_2 | i_2 | s_2 | 4 x 90° |
|--------------------|-------|-------------|-------|-------|-------|-------|---------|
| 04 | 120 | 80 | 10 | 100 | 3 | 40 | M6 |
| | 140 | 95 | | 115 | | | |
| 05 | 120 | 80 | 10 | 100 | 3 | 50 | M6 |
| | 140 | 95 | | 115 | 3 | | M8 |
| | 160 | 110 | | 130 | 3.5 | | M8 |
| 06 | 160 | 110 | 12 | 130 | 3.5 | 60 | M8 |
| | 200 | 130 | | 165 | | | M10 |
| 07 | 200 | 130 | 14 | 165 | 3.5 | 80 | M10 |
| | 250 | 180 | 15 | 215 | 4 | | M12 |
| 09 | 250 | 180 | 16 | 215 | 4 | 100 | M12 |
| | 300 | 230 | 18 | 265 | | | |
| 11 | 300 | 230 | 18 | 265 | 4 | 120 | M12 |
| | 350 | 250 | 20 | 300 | 5 | | M16 |
| 14 | 350 | 250 | 22 | 300 | 5 | 160 | M16 |
| | 400 | 300 | 24 | 350 | | | |

Dimensions in [mm]



Technical data

| | |
|--|------|
| Permissible radial and axial forces | |
| Output _____ | 4-2 |
| Output backlash _____ | 4-4 |
| Ratios _____ | 4-5 |
| Ventilation _____ | 4-12 |
| Position of ventilation, sealing elements and oil control _____ | 4-12 |
| Reservoir for mounting position C _____ | 4-13 |
| Weights _____ | 4-14 |

Selection tables

| | |
|--|------|
| Synchronous geared servo motors _____ | 4-15 |
| Naturally ventilated _____ | 4-15 |
| Forced ventilated _____ | 4-30 |
| Asynchronous geared servo motors _____ | 4-37 |
| Naturally ventilated _____ | 4-37 |
| Forced ventilated _____ | 4-57 |

Dimensions

| | |
|--|-------|
| Geared servo motors with resolver _____ | 4-82 |
| 2-stage _____ | 4-82 |
| 3-stage _____ | 4-90 |
| Further dimensions _____ | 4-98 |
| Hollow shaft with shrink disc _____ | 4-98 |
| Foot mounting _____ | 4-99 |
| Rubber buffer set _____ | 4-101 |
| Mounting set for hollow shaft circlip _____ | 4-102 |
| Proposed design for auxiliary tools _____ | 4-102 |

Technical data - Shaft-mounted helical gearboxes

Permissible radial and axial forces - Output

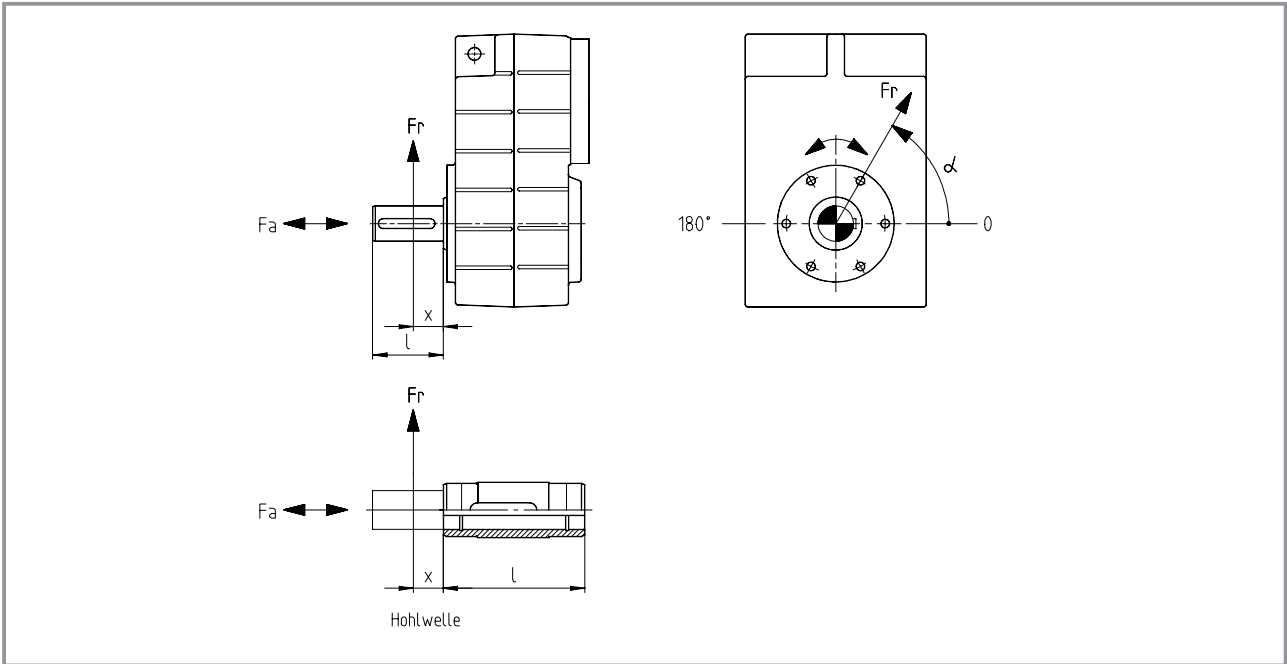
Permissible radial force

$$F_{rperm} = \min(f_w \cdot f_\alpha \cdot F_{rTab}; f_w \cdot F_{rmax})$$

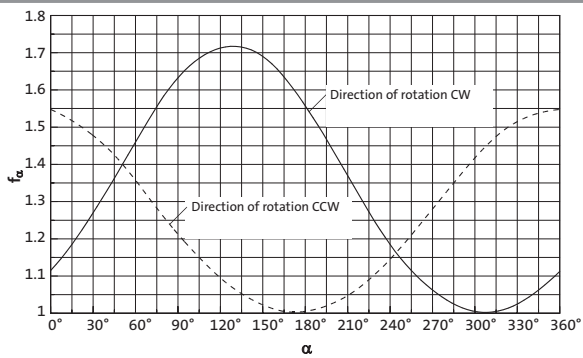
Permissible axial force

$$F_{aperm} = F_{aTab} \quad \text{at } F_r = 0$$

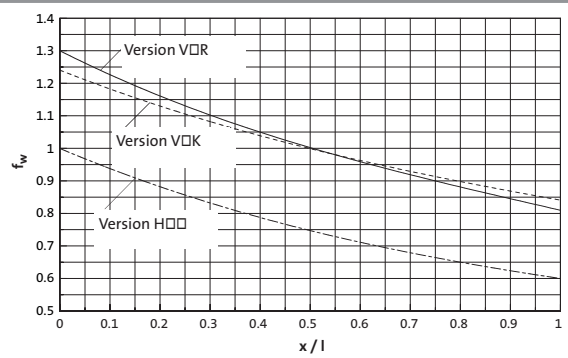
Contact Lenze if F_r and $F_a \neq 0$



f_α Effective direction factor at output shaft



f_w Additional load factor at output shaft



Technical data - Shaft-mounted helical gearboxes

Permissible radial and axial forces - Output



| VCK | Solid shaft with flange | | | | | | | | | | | | | |
|----------------|--|-------------------|-------------------|-------------------|-------------------|-------------------|-------------------|-------------------|-------------------|-------------------|-------------------|-------------------|-------------------|-------------------|
| | Application of force F_r : Centre of shaft journal ($x = l/2$) | | | | | | | | | | | | | |
| | F_{aTab} only valid for $F_r = 0$ | | | | | | | | | | | | | |
| n_2 [rpm] | GFL 04 | | GFL 05 | | GFL 06 | | GFL 07 | | GFL 09 | | GFL 11 | | GFL 14 | |
| | F_{rTab} [N] | F_{aTab} [N] | F_{rTab} [N] | F_{aTab} [N] | F_{rTab} [N] | F_{aTab} [N] | F_{rTab} [N] | F_{aTab} [N] | F_{rTab} [N] | F_{aTab} [N] | F_{rTab} [N] | F_{aTab} [N] | F_{rTab} [N] | F_{aTab} [N] |
| 400 | 3200 | 2200 | 4300 | 3100 | 6100 | 4300 | 6400 | 6100 | 7800 | 6100 | 12500 | 6800 | 18000 | 6000 |
| 250 | 3700 | 2600 | 5100 | 3900 | 7000 | 5500 | 7400 | 6500 | 9000 | 6500 | 14500 | 8500 | 20000 | 8000 |
| 160 | 4400 | 3200 | 5900 | 4800 | 7800 | 6500 | 8900 | 7000 | 10500 | 7000 | 17000 | 10500 | 23000 | 10000 |
| 100 | 4600 | 4200 | 6800 | 6400 | 9600 | 8500 | 10500 | 9500 | 14000 | 9500 | 21500 | 17000 | 27500 | 13000 |
| 63 | 4600 | 4400 | 7000 | 6600 | 10000 | 10000 | 12000 | 11500 | 15000 | 11500 | 26000 | 22000 | 32000 | 19000 |
| 40 | 4600 | 4400 | 7000 | 6600 | 10000 | 10000 | 13000 | 11500 | 15000 | 11500 | 30000 | 27000 | 38000 | 26000 |
| 25 | 4600 | 4400 | 7000 | 6600 | 10000 | 10000 | 14000 | 11500 | 15000 | 11500 | 30000 | 27000 | 43000 | 35000 |
| ≤ 16 | 4600 | 4400 | 7000 | 6600 | 10000 | 10000 | 14000 | 11500 | 15000 | 11500 | 30000 | 27000 | 43000 | 35000 |
| $F_{r max}$ | 4600 | – | 7400 | – | 11000 | – | 16000 | – | 16000 | – | 32000 | – | 46000 | – |

| VOR | Solid shaft without flange | | | | | | | | | | | | | |
|----------------|--|-------------------|-------------------|-------------------|-------------------|-------------------|-------------------|-------------------|-------------------|-------------------|-------------------|-------------------|-------------------|-------------------|
| | Application of force F_r : Centre of shaft journal ($x = l/2$) | | | | | | | | | | | | | |
| | F_{aTab} only valid for $F_r = 0$ | | | | | | | | | | | | | |
| n_2 [rpm] | GFL 04 | | GFL 05 | | GFL 06 | | GFL 07 | | GFL 09* | | GFL 11* | | GFL 14 | |
| | F_{rTab} [N] | F_{aTab} [N] | F_{rTab} [N] | F_{aTab} [N] | F_{rTab} [N] | F_{aTab} [N] | F_{rTab} [N] | F_{aTab} [N] | F_{rTab} [N] | F_{aTab} [N] | F_{rTab} [N] | F_{aTab} [N] | F_{rTab} [N] | F_{aTab} [N] |
| 400 | 2300 | 2200 | 2400 | 2800 | 3200 | 4000 | 3200 | 3400 | 3800 | 3100 | 5500 | 4700 | 47000 | 25000 |
| 250 | 2700 | 2600 | 2700 | 3600 | 3600 | 5200 | 3600 | 4700 | 4400 | 4200 | 6300 | 6000 | 54000 | 27000 |
| 160 | 3200 | 3200 | 3200 | 4200 | 3900 | 6000 | 3900 | 6000 | 5500 | 5800 | 7300 | 7500 | 62000 | 29000 |
| 100 | 3600 | 4200 | 4000 | 5900 | 5100 | 8500 | 5100 | 8500 | 8000 | 10000 | 11200 | 14000 | 65000 | 32000 |
| 63 | 3600 | 5300 | 4800 | 6600 | 6500 | 10000 | 6500 | 12000 | 10000 | 13500 | 14500 | 19000 | 65000 | 35000 |
| 40 | 3600 | 5500 | 5800 | 6600 | 8400 | 10000 | 8400 | 14000 | 12000 | 17000 | 17400 | 25000 | 65000 | 35000 |
| 25 | 3600 | 5500 | 6200 | 6600 | 9000 | 10000 | 9000 | 14000 | 18000 | 21000 | 20500 | 27000 | 65000 | 35000 |
| ≤ 16 | 3600 | 5500 | 6200 | 6600 | 9000 | 10000 | 9000 | 14000 | 18000 | 21000 | 23000 | 27000 | 65000 | 35000 |
| $F_{r max}$ | 3600 | – | 7000 | – | 11000 | – | 11000 | – | 22000 | – | 28000 | – | 65000 | – |

| H00 | Hollow shaft | | | | | | | | | | | | | |
|----------------|---|-------------------|-------------------|-------------------|-------------------|-------------------|-------------------|-------------------|-------------------|-------------------|-------------------|-------------------|-------------------|-------------------|
| | Application of force F_r : At hollow shaft end face ($x = 0$) | | | | | | | | | | | | | |
| | F_{aTab} only valid for $F_r = 0$ | | | | | | | | | | | | | |
| n_2 [rpm] | GFL 04 | | GFL 05 | | GFL 06 | | GFL 07 | | GFL 09 | | GFL 11 | | GFL 14 | |
| | F_{rTab} [N] | F_{aTab} [N] | F_{rTab} [N] | F_{aTab} [N] | F_{rTab} [N] | F_{aTab} [N] | F_{rTab} [N] | F_{aTab} [N] | F_{rTab} [N] | F_{aTab} [N] | F_{rTab} [N] | F_{aTab} [N] | F_{rTab} [N] | F_{aTab} [N] |
| 400 | 2800 | 2200 | 3000 | 2800 | 4300 | 4000 | 4500 | 3400 | 5000 | 3100 | 7300 | 4700 | 8000 | 4000 |
| 250 | 3200 | 2600 | 3400 | 3600 | 4700 | 5200 | 5100 | 4700 | 6000 | 4200 | 8700 | 6000 | 9000 | 5000 |
| 160 | 3800 | 3200 | 4100 | 4200 | 5000 | 6000 | 6400 | 6000 | 7200 | 5800 | 10000 | 7500 | 9500 | 6200 |
| 100 | 4600 | 4200 | 5000 | 5900 | 6600 | 8500 | 7900 | 8500 | 10500 | 10000 | 14200 | 14000 | 11500 | 7500 |
| 63 | 5500 | 5300 | 6000 | 6600 | 8500 | 10000 | 9300 | 12000 | 13000 | 13500 | 19000 | 19000 | 14000 | 11000 |
| 40 | 6300 | 5500 | 7100 | 6600 | 10800 | 10000 | 11500 | 14000 | 15000 | 17000 | 23000 | 25000 | 18000 | 17500 |
| 25 | 7000 | 5500 | 8000 | 6600 | 12000 | 10000 | 15000 | 14000 | 22000 | 21000 | 27000 | 27000 | 30000 | 31000 |
| ≤ 16 | 7000 | 5500 | 8000 | 6600 | 12000 | 10000 | 16000 | 14000 | 24000 | 21000 | 30000 | 27000 | 45000 | 35000 |
| $F_{r max}$ | 7000 | – | 10000 | – | 15000 | – | 20000 | – | 30000 | – | 38000 | – | 56000 | – |

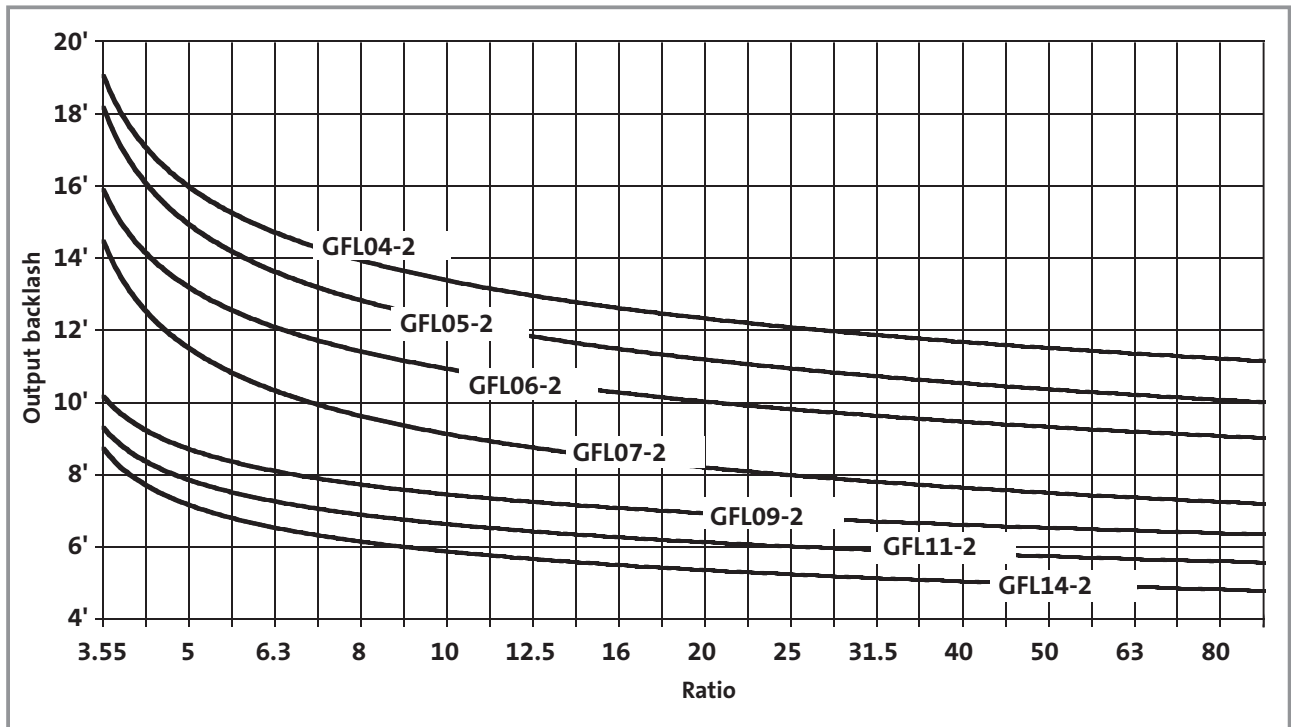
* A reinforced output shaft bearing is available on request for VOR versions.

Neither radial nor axial forces are permitted on hollow shafts with shrink disc (S□□).

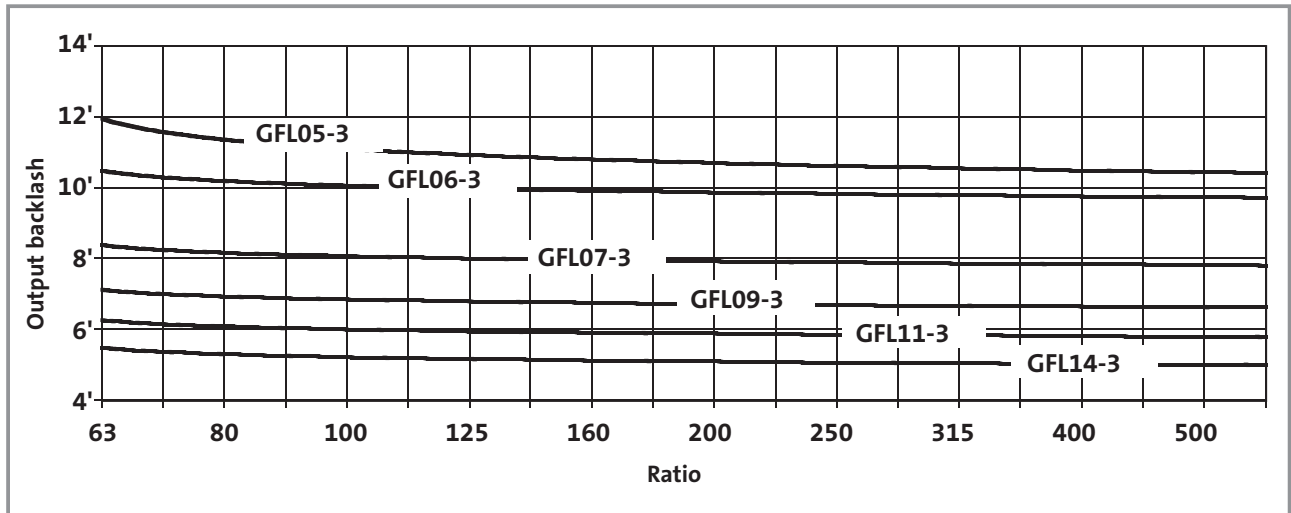
Technical data - Shaft-mounted helical gearboxes

Output backlash in angular minutes

GFL00-2



GFL00-3





Calculation formula: $i_{exact} = \frac{\text{Numerator}}{\text{Denominator}}$

| Actual ratio | Numerator | Denominator |
|-------------------|-----------|-------------|
| GFL 04 - 2 | | |
| 3.659 | 2415 | 660 |
| 5.018 | 2760 | 550 |
| 5.833 | 2625 | 450 |
| 6.422 | 2967 | 462 |
| 7.025 | 3864 | 550 |
| 8.379 | 2765 | 330 |
| 9.333 | 2800 | 300 |
| 10.238 | 3225 | 315 |
| 11.491 | 3160 | 275 |
| 12.800 | 3200 | 250 |
| 14.706 | 3397 | 231 |
| 16.087 | 4424 | 275 |
| 17.920 | 4480 | 250 |
| 20.519 | 4740 | 231 |
| 22.857 | 4800 | 210 |
| 25.136 | 4977 | 198 |
| 28.000 | 5040 | 180 |
| 31.600 | 5214 | 165 |
| 35.200 | 5280 | 150 |
| 40.697 | 5372 | 132 |
| 45.333 | 5440 | 120 |
| 51.579 | 6241 | 121 |
| 57.455 | 6320 | 110 |
| 64.636 | 6399 | 99 |
| 72.000 | 6480 | 90 |
| 85.156 | 6557 | 77 |
| 94.857 | 6640 | 70 |

Calculation formula: $i_{exact} = \frac{\text{Numerator}}{\text{Denominator}}$

| Actual ratio | Numerator | Denominator |
|-------------------|-----------|-------------|
| GFL 05 - 2 | | |
| 3.333 | 2100 | 630 |
| 4.571 | 2400 | 525 |
| 5.133 | 2310 | 450 |
| 5.667 | 2380 | 420 |
| 6.400 | 3360 | 525 |
| 7.040 | 2640 | 375 |
| 7.771 | 2720 | 350 |
| 9.010 | 2838 | 315 |
| 9.946 | 2924 | 294 |
| 11.360 | 2840 | 250 |
| 12.800 | 2880 | 225 |
| 14.538 | 3053 | 210 |
| 15.904 | 3976 | 250 |
| 17.920 | 4032 | 225 |
| 20.286 | 4260 | 210 |
| 22.857 | 4320 | 189 |
| 24.850 | 4473 | 180 |
| 28.000 | 4536 | 162 |
| 32.344 | 5822 | 180 |
| 36.444 | 5904 | 162 |
| 40.233 | 4828 | 120 |
| 45.333 | 4896 | 108 |
| 52.067 | 6248 | 120 |
| 58.667 | 6336 | 108 |
| 63.190 | 6319 | 100 |
| 71.200 | 6408 | 90 |
| 80.763 | 6461 | 80 |
| 91.000 | 6552 | 72 |
| GFL 05 - 3 | | |
| 61.653 | 258944 | 4200 |
| 78.639 | 277440 | 3528 |
| 90.123 | 270368 | 3000 |
| 101.547 | 274176 | 2700 |
| 114.952 | 289680 | 2520 |
| 129.524 | 293760 | 2268 |
| 140.817 | 304164 | 2160 |
| 158.667 | 308448 | 1944 |
| 177.027 | 318648 | 1800 |
| 199.467 | 323136 | 1620 |
| 227.989 | 328304 | 1440 |
| 256.889 | 332928 | 1296 |
| 288.948 | 381412 | 1320 |
| 325.576 | 386784 | 1188 |
| 362.100 | 391068 | 1080 |
| 408.000 | 396576 | 972 |
| 477.052 | 400724 | 840 |
| 537.524 | 406368 | 756 |



Calculation formula: $i_{exact} = \frac{\text{Numerator}}{\text{Denominator}}$

| Actual ratio | Numerator | Denominator |
|-------------------|-----------|-------------|
| GFL 06 - 2 | | |
| 3.675 | 2205 | 600 |
| 5.211 | 2345 | 450 |
| 5.750 | 2415 | 420 |
| 6.450 | 2709 | 420 |
| 7.147 | 2680 | 375 |
| 8.400 | 2520 | 300 |
| 9.463 | 2555 | 270 |
| 10.092 | 2967 | 294 |
| 11.520 | 2880 | 250 |
| 12.978 | 2920 | 225 |
| 14.743 | 3096 | 210 |
| 16.128 | 4032 | 250 |
| 18.169 | 4088 | 225 |
| 20.571 | 4320 | 210 |
| 23.175 | 4380 | 189 |
| 25.200 | 4536 | 180 |
| 28.389 | 4599 | 162 |
| 32.800 | 5904 | 180 |
| 36.951 | 5986 | 162 |
| 40.800 | 4896 | 120 |
| 45.963 | 4964 | 108 |
| 52.800 | 6336 | 120 |
| 59.481 | 6424 | 108 |
| 64.080 | 6408 | 100 |
| 72.189 | 6497 | 90 |
| 81.000 | 6480 | 80 |
| 91.250 | 6570 | 72 |

| GFL 06 - 3 | | |
|-------------------|--------|------|
| 66.213 | 262800 | 3969 |
| 72.000 | 272160 | 3780 |
| 81.111 | 275940 | 3402 |
| 88.200 | 285768 | 3240 |
| 99.361 | 289737 | 2916 |
| 116.571 | 293760 | 2520 |
| 131.323 | 297840 | 2268 |
| 144.320 | 389664 | 2700 |
| 162.583 | 395076 | 2430 |
| 179.520 | 323136 | 1800 |
| 202.237 | 327624 | 1620 |
| 231.200 | 332928 | 1440 |
| 260.457 | 337552 | 1296 |
| 293.018 | 386784 | 1320 |
| 299.200 | 430848 | 1440 |
| 367.200 | 396576 | 1080 |
| 413.667 | 402084 | 972 |
| 475.200 | 513216 | 1080 |
| 535.333 | 520344 | 972 |
| 576.720 | 519048 | 900 |
| 649.700 | 526257 | 810 |
| 759.806 | 531864 | 700 |
| 855.954 | 539251 | 630 |

Technical data - Shaft-mounted helical gearboxes

Ratios

Calculation formula: $i_{exact} = \frac{\text{Numerator}}{\text{Denominator}}$

| Actual ratio | Numerator | Denominator |
|-------------------|-----------|-------------|
| GFL 07 - 2 | | |
| 3.350 | 2040 | 609 |
| 4.643 | 2340 | 504 |
| 5.159 | 2244 | 435 |
| 5.695 | 2312 | 406 |
| 6.400 | 3360 | 525 |
| 7.150 | 2574 | 360 |
| 8.324 | 2414 | 290 |
| 9.379 | 2448 | 261 |
| 9.714 | 2856 | 294 |
| 11.538 | 2769 | 240 |
| 13.000 | 2808 | 216 |
| 14.200 | 2982 | 210 |
| 15.904 | 3976 | 250 |
| 17.920 | 4032 | 225 |
| 20.286 | 4260 | 210 |
| 22.857 | 4320 | 189 |
| 24.850 | 4473 | 180 |
| 28.000 | 4536 | 162 |
| 32.344 | 5822 | 180 |
| 36.444 | 5904 | 162 |
| 39.642 | 4757 | 120 |
| 44.667 | 4824 | 108 |
| 52.067 | 6248 | 120 |
| 58.667 | 6336 | 108 |
| 63.190 | 6319 | 100 |
| 71.200 | 6408 | 90 |
| 79.875 | 6390 | 80 |
| 90.000 | 6480 | 72 |
| GFL 07 - 3 | | |
| 65.306 | 259200 | 3969 |
| 72.452 | 326032 | 4500 |
| 81.636 | 330624 | 4050 |
| 92.413 | 349320 | 3780 |
| 104.127 | 354240 | 3402 |
| 113.206 | 366786 | 3240 |
| 127.556 | 371952 | 2916 |
| 147.347 | 477404 | 3240 |
| 166.025 | 484128 | 2916 |
| 183.285 | 395896 | 2160 |
| 206.519 | 401472 | 1944 |
| 224.636 | 323476 | 1440 |
| 253.111 | 328032 | 1296 |
| 290.706 | 418616 | 1440 |
| 327.556 | 424512 | 1296 |
| 352.811 | 423373 | 1200 |
| 397.533 | 429336 | 1080 |
| 430.222 | 557568 | 1296 |
| 522.133 | 563904 | 1080 |
| 562.391 | 562391 | 1000 |
| 633.680 | 570312 | 900 |
| 718.786 | 575029 | 800 |
| 809.900 | 583128 | 720 |



Calculation formula: $i_{exact} = \frac{\text{Numerator}}{\text{Denominator}}$

| Actual ratio | Numerator | Denominator |
|-------------------|-----------|-------------|
| GFL 09 - 2 | | |
| 6.864 | 2574 | 375 |
| 7.466 | 2613 | 350 |
| 9.010 | 2838 | 315 |
| 9.799 | 2881 | 294 |
| 11.167 | 3752 | 336 |
| 12.307 | 2769 | 225 |
| 14.333 | 3010 | 210 |
| 16.333 | 3920 | 240 |
| 18.407 | 3976 | 216 |
| 19.667 | 4130 | 210 |
| 22.164 | 4189 | 189 |
| 24.111 | 4340 | 180 |
| 27.173 | 4402 | 162 |
| 32.667 | 5880 | 180 |
| 36.815 | 5964 | 162 |
| 39.667 | 4760 | 120 |
| 44.704 | 4828 | 108 |
| 51.333 | 6160 | 120 |
| 57.852 | 6248 | 108 |
| 62.300 | 6230 | 100 |
| 70.211 | 6319 | 90 |
| 78.750 | 6300 | 80 |
| 88.750 | 6390 | 72 |
| GFL 09 - 3 | | |
| 63.326 | 251340 | 3969 |
| 73.173 | 329280 | 4500 |
| 82.465 | 333984 | 4050 |
| 93.333 | 352800 | 3780 |
| 105.185 | 357840 | 3402 |
| 114.333 | 370440 | 3240 |
| 128.852 | 375732 | 2916 |
| 148.815 | 482160 | 3240 |
| 167.712 | 489048 | 2916 |
| 185.111 | 399840 | 2160 |
| 208.617 | 405552 | 1944 |
| 224.778 | 323680 | 1440 |
| 253.321 | 328304 | 1296 |
| 290.889 | 418880 | 1440 |
| 327.827 | 424864 | 1296 |
| 353.033 | 423640 | 1200 |
| 397.863 | 429692 | 1080 |
| 424.247 | 549824 | 1296 |
| 514.881 | 556072 | 1080 |
| 554.470 | 554470 | 1000 |
| 624.879 | 562391 | 900 |
| 700.875 | 560700 | 800 |
| 789.875 | 568710 | 720 |

Calculation formula: $i_{exact} = \frac{\text{Numerator}}{\text{Denominator}}$

| Actual ratio | Numerator | Denominator |
|-------------------|-----------|-------------|
| GFL 11 - 2 | | |
| 6.864 | 2574 | 375 |
| 7.466 | 2613 | 350 |
| 9.010 | 2838 | 315 |
| 9.799 | 2881 | 294 |
| 10.720 | 3752 | 350 |
| 12.480 | 2808 | 225 |
| 14.538 | 3053 | 210 |
| 15.904 | 3976 | 250 |
| 17.920 | 4032 | 225 |
| 20.286 | 4260 | 210 |
| 22.857 | 4320 | 189 |
| 24.850 | 4473 | 180 |
| 28.000 | 4536 | 162 |
| 32.739 | 5893 | 180 |
| 36.889 | 5976 | 162 |
| 40.233 | 4828 | 120 |
| 45.333 | 4896 | 108 |
| 52.067 | 6248 | 120 |
| 58.667 | 6336 | 108 |
| 63.190 | 6319 | 100 |
| 71.200 | 6408 | 90 |
| 79.875 | 6390 | 80 |
| 90.000 | 6480 | 72 |
| GFL 11 - 3 | | |
| 65.306 | 259200 | 3969 |
| 73.335 | 330008 | 4500 |
| 82.631 | 334656 | 4050 |
| 93.540 | 353580 | 3780 |
| 105.397 | 358560 | 3402 |
| 114.586 | 371259 | 3240 |
| 129.111 | 376488 | 2916 |
| 149.144 | 483226 | 3240 |
| 168.049 | 490032 | 2916 |
| 182.792 | 394831 | 2160 |
| 205.963 | 400392 | 1944 |
| 224.636 | 323476 | 1440 |
| 253.111 | 328032 | 1296 |
| 267.259 | 519552 | 1944 |
| 327.556 | 424512 | 1296 |
| 358.077 | 429692 | 1200 |
| 403.467 | 435744 | 1080 |
| 430.222 | 557568 | 1296 |
| 522.133 | 563904 | 1080 |
| 562.391 | 562391 | 1000 |
| 633.680 | 570312 | 900 |
| 710.888 | 568710 | 800 |
| 801.000 | 576720 | 720 |

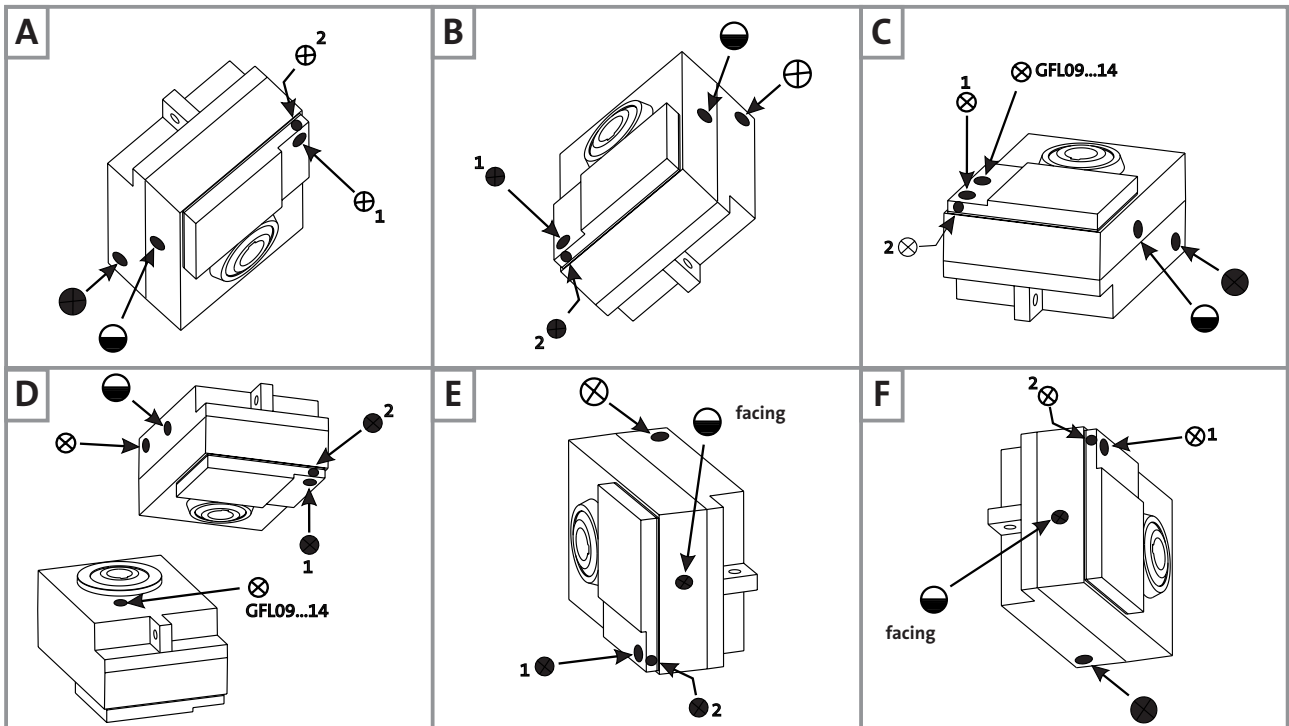


Calculation formula: $i_{exact} = \frac{\text{Numerator}}{\text{Denominator}}$

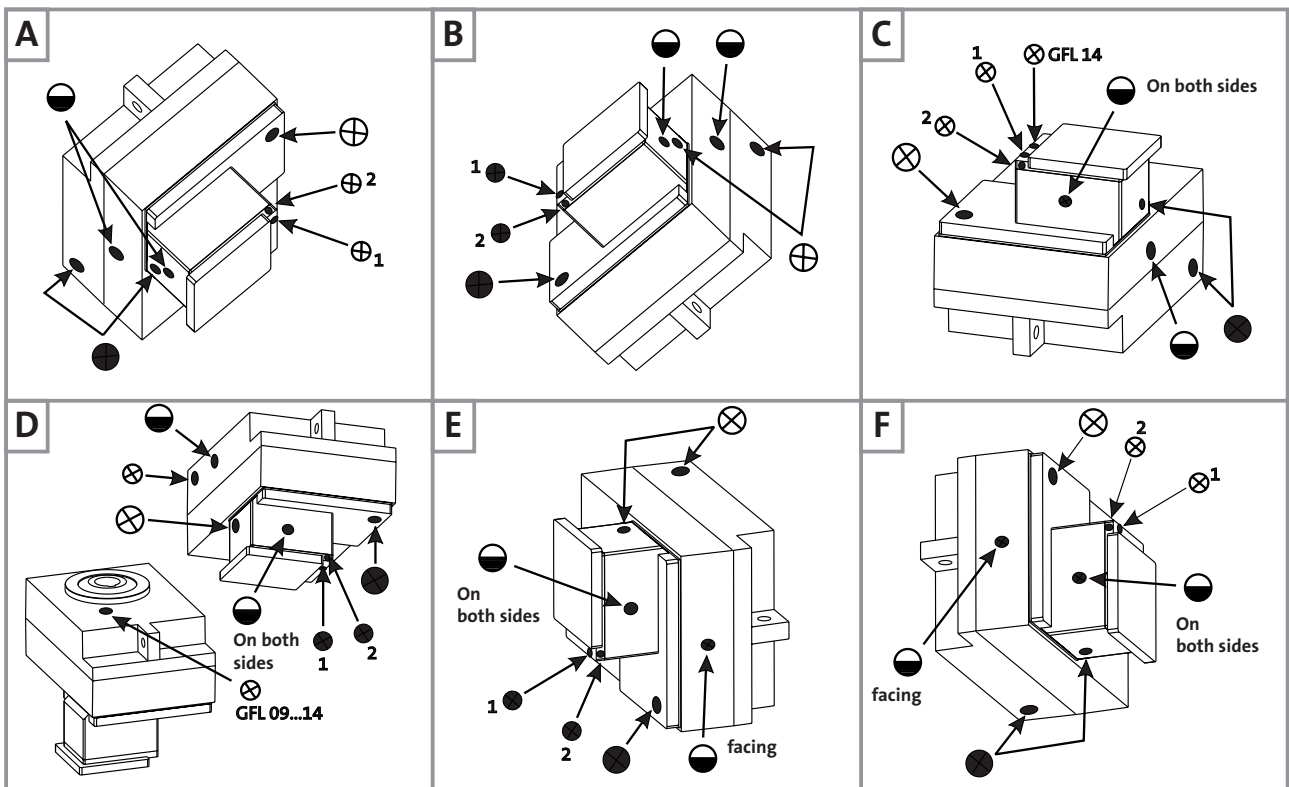
| Actual ratio | Numerator | Denominator |
|-------------------|-----------|-------------|
| GFL 14 - 2 | | |
| 7.150 | 2574 | 360 |
| 7.777 | 2613 | 336 |
| 8.800 | 2772 | 315 |
| 9.571 | 2814 | 294 |
| 11.538 | 2769 | 240 |
| 13.000 | 2808 | 216 |
| 14.200 | 2982 | 210 |
| 15.620 | 3905 | 250 |
| 17.600 | 3960 | 225 |
| 19.948 | 4189 | 210 |
| 22.476 | 4248 | 189 |
| 24.456 | 4402 | 180 |
| 27.556 | 4464 | 162 |
| 32.344 | 5822 | 180 |
| 36.444 | 5904 | 162 |
| 39.642 | 4757 | 120 |
| 44.667 | 4824 | 108 |
| 52.067 | 6248 | 120 |
| 58.667 | 6336 | 108 |
| 63.190 | 6319 | 100 |
| 71.200 | 6408 | 90 |
| 79.875 | 6390 | 80 |
| 90.000 | 6480 | 72 |
| GFL 14 - 3 | | |
| 64.296 | 249984 | 3888 |
| 68.708 | 259718 | 3780 |
| 77.418 | 263376 | 3402 |
| 85.037 | 330624 | 3888 |
| 104.889 | 356832 | 3402 |
| 114.126 | 369768 | 3240 |
| 128.593 | 374976 | 2916 |
| 136.889 | 354816 | 2592 |
| 156.148 | 303552 | 1944 |
| 170.074 | 495936 | 2916 |
| 202.074 | 392832 | 1944 |
| 224.636 | 323476 | 1440 |
| 253.111 | 328032 | 1296 |
| 273.778 | 532224 | 1944 |
| 332.444 | 430848 | 1296 |
| 352.811 | 423373 | 1200 |
| 397.533 | 429336 | 1080 |
| 430.222 | 557568 | 1296 |
| 522.133 | 563904 | 1080 |
| 562.391 | 562391 | 1000 |
| 633.680 | 570312 | 900 |
| 710.888 | 568710 | 800 |
| 801.000 | 576720 | 720 |

Position of ventilation, sealing elements and oil control

GFL05 ... 14-2



GFL05 ... 14-3



(A ... F) Mounting position

⊗ Ventilation/oil filler plug
● Oil drain plug

⊖ Oil control plug
⊖ Oil-sight glass

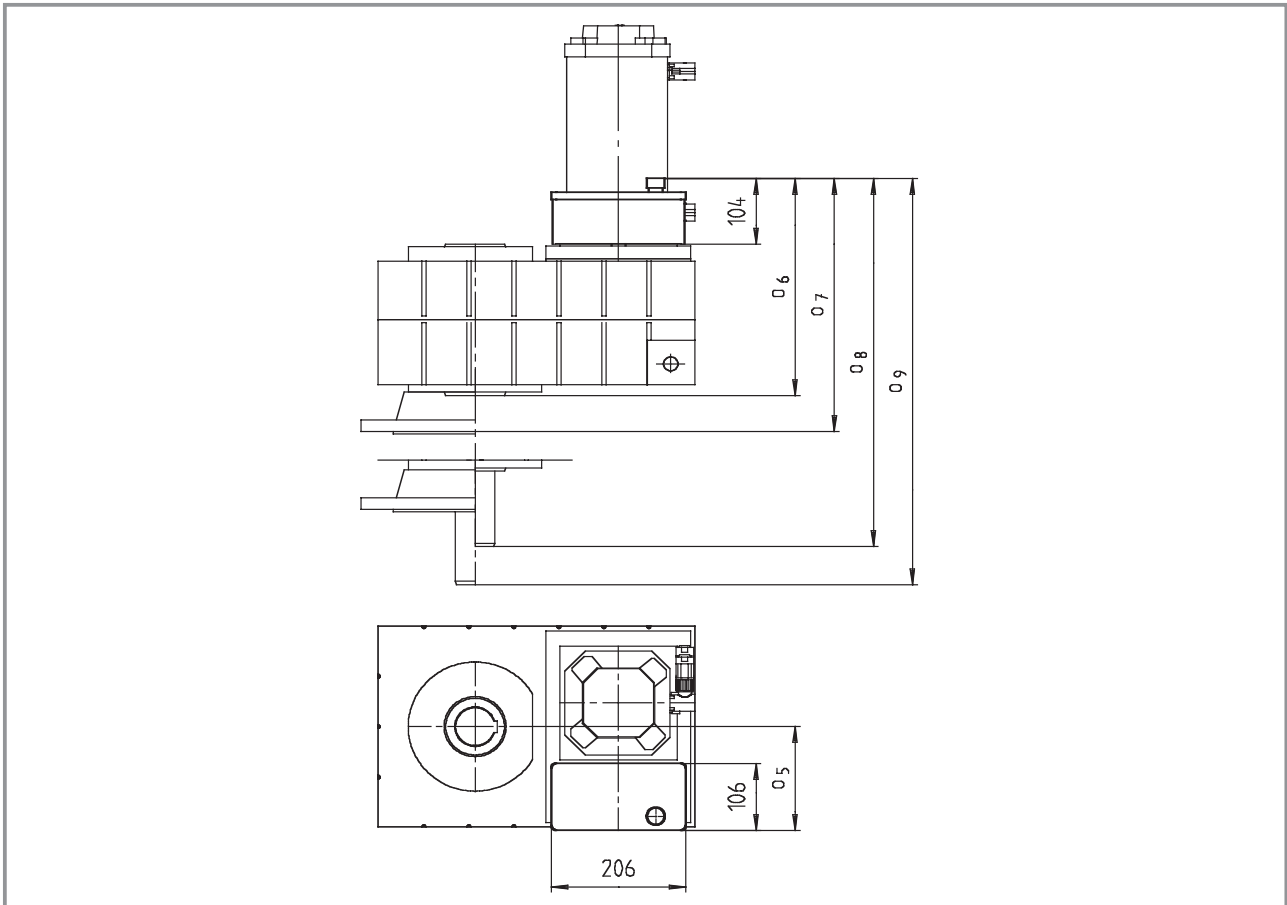
Pos. 1 Standard

Pos. 2 only on GFL05-2A □□□ 080C22
GFL07-3A □□□ 080C22



Reservoir for mounting position C

Shaft-mounted helical gearboxes (low-profile gearboxes) GFL



| Shaft-mounted helical gearbox GFL□□ - 2A | Motor frame size | | | |
|---|------------------|--------|--------|-----|
| | 080C22 090C22 | 100C22 | 112C22 | |
| GFL 09 | o ₅ | 165 | 187 | 204 |
| | o ₆ | 344 | 344 | 344 |
| | o ₇ | 405 | 405 | 405 |
| | o ₈ | 464 | 464 | 464 |
| | o ₉ | 525 | 525 | 525 |
| GFL 11 | o ₅ | 154 | 176 | 200 |
| | o ₆ | 387 | 391 | 391 |
| | o ₇ | 448 | 452 | 452 |
| | o ₈ | 547 | 551 | 551 |
| | o ₉ | 608 | 612 | 612 |
| GFL 14 | o ₅ | | 181 | 211 |
| | o ₆ | | 446 | 446 |
| | o ₇ | | 507 | 507 |
| | o ₈ | | 646 | 646 |
| | o ₉ | | 707 | 707 |

Connector/terminal box position 3 not permissible.
Dimensions in [mm]

Shaft-mounted helical gearboxes (low-profile gearboxes) GFL□□-2

| Gearbox size | naturally ventilated | | | | | | | | | | |
|--------------|--|------------|------------|------------|------------|---|------------|------------|------------|------------|------------|
| | GFL□□-2S HCR/HDR with motor frame size (synchronous) | | | | | GFL□□-2A HCR/HDR with motor frame size (asynchronous) | | | | | |
| | 056 C23 | 056 C33 | 071 C03 | 071 C13 | 071 C33 | 056 C22 | 071 C22 | 080 C22 | 090 C22 | 100 C22 | 112 C22 |
| 04 | 12 | 13 | 16 | 18 | 20 | 13 | 17 | | | | |
| 05 | 25 | 26 | 29 | 31 | 33 | 26 | 30 | 36 | | | |
| 06 | 39 | 40 | 43 | 45 | 47 | 40 | 44 | 50 | 58 | | |
| 07 | 65 | 66 | 68 | 70 | 73 | 66 | 70 | 76 | 84 | 107 | 124 |
| 09 | | | | | | | | 122 | 130 | 153 | 171 |
| 11 | | | | | | | | 208 | 215 | 238 | 254 |
| 14 | | | | | | | | | | 380 | 395 |

Shaft-mounted helical gearboxes (low-profile gearboxes) GFL□□-3

| Gearbox size | naturally ventilated | | | | | | | | | | |
|--------------|--|------------|------------|------------|------------|---|------------|------------|------------|------------|------------|
| | GFL□□-3S HCR/HDR with motor frame size (synchronous) | | | | | GFL□□-3A HCR/HDR with motor frame size (asynchronous) | | | | | |
| | 056 C23 | 056 C33 | 071 C03 | 071 C13 | 071 C33 | 056 C22 | 071 C22 | 080 C22 | 090 C22 | 100 C22 | 112 C22 |
| 05 | 26 | 27 | 30 | 32 | 34 | 27 | 31 | | | | |
| 06 | 43 | 44 | 47 | 49 | 51 | 44 | 48 | | | | |
| 07 | 73 | 74 | 77 | 79 | 81 | 74 | 78 | 84 | | | |
| 09 | 124 | 125 | 128 | 130 | 132 | 125 | 129 | 135 | 143 | | |
| 11 | 218 | 219 | 221 | 223 | 225 | 219 | 223 | 228 | 236 | 260 | 277 |
| 14 | | | | | | | | 385 | 393 | 415 | 433 |

Additional weights

At the drive end

| Synchronous | | | | | Asynchronous | | | | | |
|-------------------|------------|------------|------------|------------|--------------|------------|------------|------------|------------|------------|
| 056 C23 | 056 C33 | 071 C03 | 071 C13 | 071 C33 | 056 C22 | 071 C22 | 080 C22 | 090 C22 | 100 C22 | 112 C22 |
| forced ventilated | | | | | | | | | | |
| – | – | 1.3 | 1.3 | 1.3 | – | 1.6 | 1.9 | 2.6 | 3.5 | 3.5 |
| Brake | | | | | | | | | | |
| 0.9 | 0.9 | 1.4 | 1.4 | 1.4 | 0.9 | 1.4 | 1.5 | 2.4 | 4.8 | 5.0 |

At the non-drive end

| Gearbox size | Solid shaft V□□ | 2nd output shaft end V□□ | Hollow shaft with shrink disc S□□ | Flange □□K | Foot □A□/□B□ |
|--------------|--------------------|-----------------------------|--------------------------------------|---------------|-----------------|
| 04 | 0.6 | 0.2 | 0.6 | 2.5 | 1 |
| 05 | 1 | 0.3 | 0.8 | 4 | 1.5 |
| 06 | 2.5 | 0.8 | 1 | 7 | 2.5 |
| 07 | 5 | 1.5 | 1.5 | 11 | 4 |
| 09 | 8 | 2.7 | 3 | 16 | 7 |
| 11 | 16 | 6.3 | 5 | 24 | 14 |
| 14 | 33 | 12 | 11 | 33 | 23 |

Weights in [kg] with oil capacity for mounting position A. All data is approximate

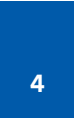
Selection tables - Shaft-mounted helical gearboxes

Naturally ventilated synchronous geared servo motors



| M ₂ [Nm] | n _{2 trans} [rpm] | c | i | M _{2 max} short-time on geared motor at | | | | M _{2 Gr} gearbox c=1 n ₁ ≤ 1400 rpm [Nm] | n _{2 therm} [rpm] | J _{GM} referred to motor shaft [kgm ²] | Servo shaft-mounted helical geared motor Dimensions on Page 4-82 |
|------------------------|-------------------------------|-----|--------|---|-------------|----------------------------|-------------|--|-------------------------------|---|---|
| | | | | 8 kHz | | 16 kHz | | | | | |
| | | | | M _{2 max} [Nm] | Type EVS | M _{2 max} [Nm] | Type EVS | | | | |
| 10 | 1039 | 5.5 | 3.659 | 16 | 9322 | 19 | 9323 | 75 | 1004 | 2.91E-04 | GFL04 - 2S □□□ 056C23 MDSKS□□ 056-23 190 |
| 13 | 757 | 5.5 | 5.018 | 23 | 9322 | 26 | 9323 | 103 | 757 | 2.26E-04 | GFL04 - 2S □□□ 056C23 MDSKS□□ 056-23 190 |
| 15 | 651 | 5.5 | 5.833 | 26 | 9322 | 30 | 9323 | 120 | 630 | 2.33E-04 | GFL04 - 2S □□□ 056C23 MDSKS□□ 056-23 190 |
| 17 | 592 | 4.7 | 6.422 | 29 | 9322 | 33 | 9323 | 113 | 592 | 1.96E-04 | GFL04 - 2S □□□ 056C23 MDSKS□□ 056-23 190 |
| 18 | 541 | 4.3 | 7.025 | 32 | 9322 | 37 | 9323 | 113 | 541 | 1.87E-04 | GFL04 - 2S □□□ 056C23 MDSKS□□ 056-23 190 |
| 22 | 454 | 5.5 | 8.379 | 38 | 9322 | 44 | 9323 | 172 | 438 | 2.07E-04 | GFL04 - 2S □□□ 056C23 MDSKS□□ 056-23 190 |
| 24 | 407 | 4.8 | 9.333 | 42 | 9322 | 49 | 9323 | 165 | 383 | 2.01E-04 | GFL04 - 2S □□□ 056C23 MDSKS□□ 056-23 190 |
| 27 | 371 | 4.2 | 10.238 | 46 | 9322 | 53 | 9323 | 159 | 371 | 1.77E-04 | GFL04 - 2S □□□ 056C23 MDSKS□□ 056-23 190 |
| 30 | 331 | 4.3 | 11.491 | 52 | 9322 | 60 | 9323 | 181 | 331 | 1.81E-04 | GFL04 - 2S □□□ 056C23 MDSKS□□ 056-23 190 |
| 34 | 297 | 3.5 | 12.800 | 58 | 9322 | 67 | 9323 | 166 | 293 | 1.78E-04 | GFL04 - 2S □□□ 056C23 MDSKS□□ 056-23 190 |
| 39 | 258 | 3.3 | 14.706 | 66 | 9322 | 77 | 9323 | 182 | 258 | 1.68E-04 | GFL04 - 2S □□□ 056C23 MDSKS□□ 056-23 190 |
| 43 | 236 | 3.1 | 16.087 | 72 | 9322 | 84 | 9323 | 182 | 236 | 1.65E-04 | GFL04 - 2S □□□ 056C23 MDSKS□□ 056-23 190 |
| 48 | 212 | 2.5 | 17.920 | 81 | 9322 | 93 | 9323 | 167 | 212 | 1.63E-04 | GFL04 - 2S □□□ 056C23 MDSKS□□ 056-23 190 |
| 55 | 185 | 2.4 | 20.519 | 92 | 9322 | 107 | 9323 | 183 | 185 | 1.57E-04 | GFL04 - 2S □□□ 056C23 MDSKS□□ 056-23 190 |
| 61 | 166 | 2.0 | 22.857 | 103 | 9322 | 119 | 9323 | 167 | 166 | 1.56E-04 | GFL04 - 2S □□□ 056C23 MDSKS□□ 056-23 190 |
| 67 | 151 | 2.2 | 25.136 | 113 | 9322 | 131 | 9323 | 183 | 151 | 1.53E-04 | GFL04 - 2S □□□ 056C23 MDSKS□□ 056-23 190 |
| 75 | 136 | 1.8 | 28.000 | 126 | 9322 | 146 | 9323 | 168 | 136 | 1.52E-04 | GFL04 - 2S □□□ 056C23 MDSKS□□ 056-23 190 |
| 85 | 120 | 1.8 | 31.600 | 142 | 9322 | 164 | 9323 | 185 | 120 | 1.49E-04 | GFL04 - 2S □□□ 056C23 MDSKS□□ 056-23 190 |
| 95 | 108 | 1.5 | 35.200 | 158 | 9322 | 183 | 9323 | 170 | 108 | 1.48E-04 | GFL04 - 2S □□□ 056C23 MDSKS□□ 056-23 190 |
| 110 | 93 | 1.4 | 40.697 | 183 | 9322 | 212 | 9323 | 187 | 93 | 1.46E-04 | GFL04 - 2S □□□ 056C23 MDSKS□□ 056-23 190 |
| 123 | 84 | 1.2 | 45.333 | 204 | 9322 | 236 | 9323 | 172 | 84 | 1.46E-04 | GFL04 - 2S □□□ 056C23 MDSKS□□ 056-23 190 |
| 15 | 1093 | 3.6 | 3.659 | 24 | 9323 | 32 | 9324 | 75 | 930 | 3.51E-04 | GFL04 - 2S □□□ 056C33 MDSKS□□ 056-33 200 |
| 20 | 797 | 3.6 | 5.018 | 34 | 9323 | 44 | 9324 | 103 | 753 | 2.86E-04 | GFL04 - 2S □□□ 056C33 MDSKS□□ 056-33 200 |
| 23 | 686 | 3.6 | 5.833 | 39 | 9323 | 51 | 9324 | 120 | 583 | 2.93E-04 | GFL04 - 2S □□□ 056C33 MDSKS□□ 056-33 200 |
| 26 | 623 | 3.1 | 6.422 | 43 | 9323 | 56 | 9324 | 113 | 623 | 2.56E-04 | GFL04 - 2S □□□ 056C33 MDSKS□□ 056-33 200 |
| 28 | 569 | 2.8 | 7.025 | 47 | 9323 | 61 | 9324 | 113 | 569 | 2.47E-04 | GFL04 - 2S □□□ 056C33 MDSKS□□ 056-33 200 |
| 33 | 477 | 3.6 | 8.379 | 56 | 9323 | 73 | 9324 | 172 | 406 | 2.67E-04 | GFL04 - 2S □□□ 056C33 MDSKS□□ 056-33 200 |
| 37 | 429 | 3.1 | 9.333 | 62 | 9323 | 81 | 9324 | 165 | 354 | 2.61E-04 | GFL04 - 2S □□□ 056C33 MDSKS□□ 056-33 200 |
| 41 | 391 | 2.8 | 10.238 | 68 | 9323 | 89 | 9324 | 159 | 391 | 2.37E-04 | GFL04 - 2S □□□ 056C33 MDSKS□□ 056-33 200 |
| 46 | 348 | 2.8 | 11.491 | 77 | 9323 | 100 | 9324 | 181 | 314 | 2.41E-04 | GFL04 - 2S □□□ 056C33 MDSKS□□ 056-33 200 |
| 51 | 313 | 2.3 | 12.800 | 85 | 9323 | 111 | 9324 | 166 | 272 | 2.38E-04 | GFL04 - 2S □□□ 056C33 MDSKS□□ 056-33 200 |
| 59 | 272 | 2.2 | 14.706 | 98 | 9323 | 128 | 9324 | 182 | 272 | 2.28E-04 | GFL04 - 2S □□□ 056C33 MDSKS□□ 056-33 200 |
| 65 | 249 | 2.0 | 16.087 | 107 | 9323 | 140 | 9324 | 182 | 249 | 2.25E-04 | GFL04 - 2S □□□ 056C33 MDSKS□□ 056-33 200 |
| 73 | 223 | 1.6 | 17.920 | 120 | 9323 | 156 | 9324 | 167 | 212 | 2.23E-04 | GFL04 - 2S □□□ 056C33 MDSKS□□ 056-33 200 |

Observe the notes for thermal dimensioning.



Selection tables - Shaft-mounted helical gearboxes

Naturally ventilated synchronous geared servo motors

| M ₂ [Nm] | n ₂ trans [rpm] | c | i | M ₂ max short-time on geared motor at | | | | M ₂ Gr gearbox c=1 n ₁ ≤ 1400 rpm [Nm] | n ₂ therm [rpm] | J _{GM} referred to motor shaft [kgm ²] | Servo shaft-mounted helical geared motor Dimensions on Page 4-82 |
|------------------------|-------------------------------|-----|--------|---|-------------|----------------------------|-------------|--|-------------------------------|---|---|
| | | | | 8 kHz | | 16 kHz | | | | | |
| | | | | M ₂ max [Nm] | Type EVS | M ₂ max [Nm] | Type EVS | | | | |
| 83 | 195 | 1.6 | 20.519 | 137 | 9323 | 178 | 9324 | 183 | 195 | 2.17E-04 | GFL04 - 2S □□□ 056C33 MDSKS□□ 056-33 200 |
| 93 | 175 | 1.3 | 22.857 | 153 | 9323 | 199 | 9324 | 167 | 171 | 2.16E-04 | GFL04 - 2S □□□ 056C33 MDSKS□□ 056-33 200 |
| 102 | 159 | 1.5 | 25.136 | 168 | 9323 | 219 | 9324 | 183 | 159 | 2.13E-04 | GFL04 - 2S □□□ 056C33 MDSKS□□ 056-33 200 |
| 114 | 143 | 1.2 | 28.000 | 187 | 9323 | 243 | 9324 | 168 | 143 | 2.12E-04 | GFL04 - 2S □□□ 056C33 MDSKS□□ 056-33 200 |
| 129 | 127 | 1.2 | 31.600 | 211 | 9323 | 275 | 9324 | 185 | 127 | 2.09E-04 | GFL04 - 2S □□□ 056C33 MDSKS□□ 056-33 200 |
| 20 | 929 | 4.1 | 3.659 | 28 | 9323 | 38 | 9324 | 109 | 929 | 7.51E-04 | GFL04 - 2S □□□ 071C03 MDSKS□□ 071-03 170 |
| 27 | 678 | 3.1 | 5.018 | 39 | 9323 | 52 | 9324 | 111 | 678 | 6.86E-04 | GFL04 - 2S □□□ 071C03 MDSKS□□ 071-03 170 |
| 31 | 583 | 3.6 | 5.833 | 45 | 9323 | 60 | 9324 | 153 | 583 | 6.93E-04 | GFL04 - 2S □□□ 071C03 MDSKS□□ 071-03 170 |
| 35 | 529 | 2.4 | 6.422 | 50 | 9323 | 66 | 9324 | 113 | 529 | 6.56E-04 | GFL04 - 2S □□□ 071C03 MDSKS□□ 071-03 170 |
| 38 | 484 | 2.2 | 7.025 | 55 | 9323 | 72 | 9324 | 113 | 484 | 6.47E-04 | GFL04 - 2S □□□ 071C03 MDSKS□□ 071-03 170 |
| 45 | 406 | 2.9 | 8.379 | 65 | 9323 | 86 | 9324 | 179 | 390 | 6.67E-04 | GFL04 - 2S □□□ 071C03 MDSKS□□ 071-03 170 |
| 51 | 364 | 2.4 | 9.333 | 73 | 9323 | 96 | 9324 | 165 | 337 | 6.61E-04 | GFL04 - 2S □□□ 071C03 MDSKS□□ 071-03 170 |
| 56 | 332 | 2.1 | 10.238 | 80 | 9323 | 105 | 9324 | 159 | 332 | 6.37E-04 | GFL04 - 2S □□□ 071C03 MDSKS□□ 071-03 170 |
| 63 | 296 | 2.2 | 11.491 | 89 | 9323 | 118 | 9324 | 181 | 296 | 6.41E-04 | GFL04 - 2S □□□ 071C03 MDSKS□□ 071-03 170 |
| 70 | 266 | 1.8 | 12.800 | 100 | 9323 | 132 | 9324 | 166 | 252 | 6.38E-04 | GFL04 - 2S □□□ 071C03 MDSKS□□ 071-03 170 |
| 81 | 231 | 1.7 | 14.706 | 114 | 9323 | 151 | 9324 | 182 | 231 | 6.28E-04 | GFL04 - 2S □□□ 071C03 MDSKS□□ 071-03 170 |
| 88 | 211 | 1.6 | 16.087 | 125 | 9323 | 165 | 9324 | 182 | 211 | 6.25E-04 | GFL04 - 2S □□□ 071C03 MDSKS□□ 071-03 170 |
| 99 | 190 | 1.3 | 17.920 | 139 | 9323 | 184 | 9324 | 167 | 189 | 6.23E-04 | GFL04 - 2S □□□ 071C03 MDSKS□□ 071-03 170 |
| 113 | 166 | 1.2 | 20.519 | 160 | 9323 | 211 | 9324 | 183 | 166 | 6.17E-04 | GFL04 - 2S □□□ 071C03 MDSKS□□ 071-03 170 |
| 126 | 149 | 1.0 | 22.857 | 178 | 9323 | 235 | 9324 | 167 | 149 | 6.16E-04 | GFL04 - 2S □□□ 071C03 MDSKS□□ 071-03 170 |
| 139 | 135 | 1.1 | 25.136 | 195 | 9323 | 258 | 9324 | 183 | 135 | 6.13E-04 | GFL04 - 2S □□□ 071C03 MDSKS□□ 071-03 170 |
| 29 | 1011 | 2.7 | 3.659 | 44 | 9324 | 61 | 9325 | 109 | 881 | 9.51E-04 | GFL04 - 2S □□□ 071C13 MDSKS□□ 071-13 185 |
| 40 | 737 | 2.0 | 5.018 | 61 | 9324 | 84 | 9325 | 111 | 679 | 8.86E-04 | GFL04 - 2S □□□ 071C13 MDSKS□□ 071-13 185 |
| 46 | 634 | 2.4 | 5.833 | 71 | 9324 | 97 | 9325 | 153 | 539 | 8.93E-04 | GFL04 - 2S □□□ 071C13 MDSKS□□ 071-13 185 |
| 51 | 576 | 1.6 | 6.422 | 78 | 9324 | 107 | 9325 | 113 | 561 | 8.56E-04 | GFL04 - 2S □□□ 071C13 MDSKS□□ 071-13 185 |
| 56 | 527 | 1.5 | 7.025 | 85 | 9324 | 117 | 9325 | 113 | 514 | 8.47E-04 | GFL04 - 2S □□□ 071C13 MDSKS□□ 071-13 185 |
| 67 | 442 | 2.0 | 8.379 | 101 | 9324 | 140 | 9325 | 179 | 358 | 8.67E-04 | GFL04 - 2S □□□ 071C13 MDSKS□□ 071-13 185 |
| 75 | 396 | 1.6 | 9.333 | 113 | 9324 | 156 | 9325 | 165 | 290 | 8.61E-04 | GFL04 - 2S □□□ 071C13 MDSKS□□ 071-13 185 |
| 82 | 361 | 1.4 | 10.238 | 124 | 9324 | 171 | 9325 | 159 | 332 | 8.37E-04 | GFL04 - 2S □□□ 071C13 MDSKS□□ 071-13 185 |
| 92 | 322 | 1.4 | 11.491 | 139 | 9324 | 191 | 9325 | 181 | 255 | 8.41E-04 | GFL04 - 2S □□□ 071C13 MDSKS□□ 071-13 185 |
| 103 | 289 | 1.2 | 12.800 | 155 | 9324 | 213 | 9325 | 166 | 211 | 8.38E-04 | GFL04 - 2S □□□ 071C13 MDSKS□□ 071-13 185 |
| 118 | 252 | 1.1 | 14.706 | 178 | 9324 | 245 | 9325 | 182 | 208 | 8.28E-04 | GFL04 - 2S □□□ 071C13 MDSKS□□ 071-13 185 |
| 129 | 230 | 1.0 | 16.087 | 194 | 9324 | 268 | 9325 | 182 | 194 | 8.25E-04 | GFL04 - 2S □□□ 071C13 MDSKS□□ 071-13 185 |
| 43 | 984 | 1.9 | 3.659 | 85 | 9325 | 64 | 9325 | 109 | 798 | 1.15E-03 | GFL04 - 2S □□□ 071C33 MDSKS□□ 071-33 180 |

Observe the notes for thermal dimensioning.

Selection tables - Shaft-mounted helical gearboxes

Naturally ventilated synchronous geared servo motors



| M ₂ [Nm] | n _{2 trans} [rpm] | c | i | M _{2 max} short-time on geared motor at | | | | M _{2 Gr} gearbox c=1 n ₁ ≤ 1400 rpm [Nm] | n _{2 therm} [rpm] | J _{GM} referred to motor shaft [kgm ²] | Servo shaft-mounted helical geared motor Dimensions on Page 4-82 |
|------------------------|-------------------------------|-----|--------|---|-------------|----------------------------|-------------|--|-------------------------------|---|---|
| | | | | 8 kHz | | 16 kHz | | | | | |
| | | | | M _{2 max} [Nm] | Type EVS | M _{2 max} [Nm] | Type EVS | | | | |
| 60 | 717 | 1.4 | 5.018 | 117 | 9325 | 87 | 9325 | 111 | 572 | 1.09E-03 | GFL04 - 2S □□□ 071C33 MDSKS□□ 071-33 180 |
| 69 | 617 | 1.6 | 5.833 | 136 | 9325 | 102 | 9325 | 153 | 467 | 1.09E-03 | GFL04 - 2S □□□ 071C33 MDSKS□□ 071-33 180 |
| 77 | 561 | 1.1 | 6.422 | 150 | 9325 | 112 | 9325 | 113 | 470 | 1.06E-03 | GFL04 - 2S □□□ 071C33 MDSKS□□ 071-33 180 |
| 84 | 512 | 1.0 | 7.025 | 164 | 9325 | 122 | 9325 | 113 | 438 | 1.05E-03 | GFL04 - 2S □□□ 071C33 MDSKS□□ 071-33 180 |
| 100 | 430 | 1.3 | 8.379 | 195 | 9325 | 146 | 9325 | 179 | 292 | 1.07E-03 | GFL04 - 2S □□□ 071C33 MDSKS□□ 071-33 180 |
| 111 | 386 | 1.1 | 9.333 | 217 | 9325 | 163 | 9325 | 165 | 241 | 1.06E-03 | GFL04 - 2S □□□ 071C33 MDSKS□□ 071-33 180 |
| 17 | 594 | 5.5 | 6.400 | 29 | 9322 | 33 | 9323 | 131 | 594 | 2.22E-04 | GFL05 - 2S □□□ 056C23 MDSKS□□ 056-23 190 |
| 23 | 422 | 5.5 | 9.010 | 41 | 9322 | 47 | 9323 | 184 | 422 | 2.35E-04 | GFL05 - 2S □□□ 056C23 MDSKS□□ 056-23 190 |
| 26 | 382 | 5.5 | 9.946 | 45 | 9322 | 52 | 9323 | 203 | 382 | 2.29E-04 | GFL05 - 2S □□□ 056C23 MDSKS□□ 056-23 190 |
| 38 | 261 | 5.5 | 14.538 | 65 | 9322 | 76 | 9323 | 297 | 261 | 2.15E-04 | GFL05 - 2S □□□ 056C23 MDSKS□□ 056-23 190 |
| 41 | 239 | 5.3 | 15.904 | 71 | 9322 | 83 | 9323 | 310 | 239 | 2.00E-04 | GFL05 - 2S □□□ 056C23 MDSKS□□ 056-23 190 |
| 47 | 212 | 4.7 | 17.920 | 81 | 9322 | 93 | 9323 | 312 | 212 | 2.01E-04 | GFL05 - 2S □□□ 056C23 MDSKS□□ 056-23 190 |
| 53 | 187 | 4.4 | 20.286 | 91 | 9322 | 106 | 9323 | 333 | 187 | 1.83E-04 | GFL05 - 2S □□□ 056C23 MDSKS□□ 056-23 190 |
| 60 | 166 | 3.7 | 22.857 | 103 | 9322 | 119 | 9323 | 313 | 166 | 1.83E-04 | GFL05 - 2S □□□ 056C23 MDSKS□□ 056-23 190 |
| 65 | 153 | 4.2 | 24.850 | 112 | 9322 | 129 | 9323 | 344 | 153 | 1.75E-04 | GFL05 - 2S □□□ 056C23 MDSKS□□ 056-23 190 |
| 74 | 136 | 3.4 | 28.000 | 126 | 9322 | 146 | 9323 | 314 | 136 | 1.73E-04 | GFL05 - 2S □□□ 056C23 MDSKS□□ 056-23 190 |
| 86 | 117 | 3.3 | 32.344 | 145 | 9322 | 168 | 9323 | 345 | 117 | 1.60E-04 | GFL05 - 2S □□□ 056C23 MDSKS□□ 056-23 190 |
| 97 | 104 | 2.7 | 36.444 | 164 | 9322 | 190 | 9323 | 316 | 104 | 1.60E-04 | GFL05 - 2S □□□ 056C23 MDSKS□□ 056-23 190 |
| 107 | 94 | 2.6 | 40.233 | 181 | 9322 | 209 | 9323 | 345 | 94 | 1.55E-04 | GFL05 - 2S □□□ 056C23 MDSKS□□ 056-23 190 |
| 122 | 84 | 2.2 | 45.333 | 204 | 9322 | 236 | 9323 | 319 | 84 | 1.54E-04 | GFL05 - 2S □□□ 056C23 MDSKS□□ 056-23 190 |
| 140 | 73 | 1.8 | 52.067 | 234 | 9322 | 271 | 9323 | 309 | 73 | 1.49E-04 | GFL05 - 2S □□□ 056C23 MDSKS□□ 056-23 190 |
| 158 | 65 | 1.7 | 58.667 | 264 | 9322 | 305 | 9323 | 322 | 65 | 1.49E-04 | GFL05 - 2S □□□ 056C23 MDSKS□□ 056-23 190 |
| 171 | 60 | 1.4 | 63.190 | 284 | 9322 | 329 | 9323 | 282 | 60 | 1.47E-04 | GFL05 - 2S □□□ 056C23 MDSKS□□ 056-23 190 |
| 193 | 53 | 1.5 | 71.200 | 320 | 9322 | 370 | 9323 | 305 | 53 | 1.46E-04 | GFL05 - 2S □□□ 056C23 MDSKS□□ 056-23 190 |
| 25 | 625 | 3.6 | 6.400 | 43 | 9323 | 56 | 9324 | 131 | 589 | 2.82E-04 | GFL05 - 2S □□□ 056C33 MDSKS□□ 056-33 200 |
| 36 | 444 | 3.6 | 9.010 | 60 | 9323 | 78 | 9324 | 184 | 404 | 2.95E-04 | GFL05 - 2S □□□ 056C33 MDSKS□□ 056-33 200 |
| 39 | 402 | 3.6 | 9.946 | 66 | 9323 | 87 | 9324 | 203 | 366 | 2.89E-04 | GFL05 - 2S □□□ 056C33 MDSKS□□ 056-33 200 |
| 58 | 275 | 3.6 | 14.538 | 97 | 9323 | 126 | 9324 | 297 | 250 | 2.75E-04 | GFL05 - 2S □□□ 056C33 MDSKS□□ 056-33 200 |
| 63 | 252 | 3.4 | 15.904 | 106 | 9323 | 138 | 9324 | 310 | 235 | 2.60E-04 | GFL05 - 2S □□□ 056C33 MDSKS□□ 056-33 200 |
| 71 | 223 | 3.1 | 17.920 | 120 | 9323 | 156 | 9324 | 312 | 205 | 2.61E-04 | GFL05 - 2S □□□ 056C33 MDSKS□□ 056-33 200 |
| 81 | 197 | 2.9 | 20.286 | 135 | 9323 | 176 | 9324 | 333 | 197 | 2.43E-04 | GFL05 - 2S □□□ 056C33 MDSKS□□ 056-33 200 |
| 92 | 175 | 2.4 | 22.857 | 153 | 9323 | 199 | 9324 | 313 | 175 | 2.43E-04 | GFL05 - 2S □□□ 056C33 MDSKS□□ 056-33 200 |
| 99 | 161 | 2.8 | 24.850 | 166 | 9323 | 216 | 9324 | 344 | 161 | 2.35E-04 | GFL05 - 2S □□□ 056C33 MDSKS□□ 056-33 200 |
| 113 | 143 | 2.3 | 28.000 | 187 | 9323 | 243 | 9324 | 314 | 143 | 2.33E-04 | GFL05 - 2S □□□ 056C33 MDSKS□□ 056-33 200 |

Observe the notes for thermal dimensioning.

Selection tables - Shaft-mounted helical gearboxes

Naturally ventilated synchronous geared servo motors

| M ₂ [Nm] | n ₂ trans [rpm] | c | i | M ₂ max short-time on geared motor at | | | | M ₂ Gr gearbox c=1 n ₁ ≤ 1400 rpm [Nm] | n ₂ therm [rpm] | J _{GM} referred to motor shaft [kgm ²] | Servo shaft-mounted helical geared motor Dimensions on Page 4-82 |
|------------------------|-------------------------------|-----|--------|---|-------------|----------------------------|-------------|--|-------------------------------|---|---|
| | | | | 8 kHz | | 16 kHz | | | | | |
| | | | | M ₂ max [Nm] | Type EVS | M ₂ max [Nm] | Type EVS | | | | |
| 130 | 124 | 2.1 | 32.344 | 216 | 9323 | 281 | 9324 | 345 | 124 | 2.20E-04 | GFLO5 - 2S □□□ 056C33 MDSKS□□ 056-33 200 |
| 147 | 110 | 1.7 | 36.444 | 243 | 9323 | 317 | 9324 | 316 | 110 | 2.20E-04 | GFLO5 - 2S □□□ 056C33 MDSKS□□ 056-33 200 |
| 163 | 99 | 1.7 | 40.233 | 269 | 9323 | 350 | 9324 | 345 | 99 | 2.15E-04 | GFLO5 - 2S □□□ 056C33 MDSKS□□ 056-33 200 |
| 184 | 88 | 1.4 | 45.333 | 303 | 9323 | 394 | 9324 | 319 | 88 | 2.14E-04 | GFLO5 - 2S □□□ 056C33 MDSKS□□ 056-33 200 |
| 212 | 77 | 1.2 | 52.067 | 348 | 9323 | 453 | 9324 | 309 | 77 | 2.09E-04 | GFLO5 - 2S □□□ 056C33 MDSKS□□ 056-33 200 |
| 239 | 68 | 1.1 | 58.667 | 392 | 9323 | 483 | 9324 | 322 | 68 | 2.09E-04 | GFLO5 - 2S □□□ 056C33 MDSKS□□ 056-33 200 |
| 18 | 1020 | 5.7 | 3.333 | 26 | 9323 | 34 | 9324 | 138 | 927 | 7.68E-04 | GFLO5 - 2S □□□ 071C03 MDSKS□□ 071-03 170 |
| 24 | 744 | 5.1 | 4.571 | 36 | 9323 | 47 | 9324 | 170 | 744 | 8.13E-04 | GFLO5 - 2S □□□ 071C03 MDSKS□□ 071-03 170 |
| 27 | 662 | 5.7 | 5.133 | 40 | 9323 | 53 | 9324 | 212 | 602 | 8.37E-04 | GFLO5 - 2S □□□ 071C03 MDSKS□□ 071-03 170 |
| 30 | 600 | 5.7 | 5.667 | 44 | 9323 | 58 | 9324 | 233 | 545 | 8.33E-04 | GFLO5 - 2S □□□ 071C03 MDSKS□□ 071-03 170 |
| 34 | 531 | 3.7 | 6.400 | 50 | 9323 | 66 | 9324 | 173 | 531 | 6.82E-04 | GFLO5 - 2S □□□ 071C03 MDSKS□□ 071-03 170 |
| 37 | 483 | 4.9 | 7.040 | 55 | 9323 | 72 | 9324 | 248 | 483 | 7.47E-04 | GFLO5 - 2S □□□ 071C03 MDSKS□□ 071-03 170 |
| 41 | 438 | 4.6 | 7.771 | 60 | 9323 | 80 | 9324 | 258 | 438 | 7.45E-04 | GFLO5 - 2S □□□ 071C03 MDSKS□□ 071-03 170 |
| 48 | 377 | 4.1 | 9.010 | 70 | 9323 | 93 | 9324 | 266 | 377 | 6.95E-04 | GFLO5 - 2S □□□ 071C03 MDSKS□□ 071-03 170 |
| 53 | 342 | 3.8 | 9.946 | 77 | 9323 | 102 | 9324 | 275 | 342 | 6.89E-04 | GFLO5 - 2S □□□ 071C03 MDSKS□□ 071-03 170 |
| 61 | 299 | 3.4 | 11.360 | 88 | 9323 | 117 | 9324 | 278 | 289 | 7.08E-04 | GFLO5 - 2S □□□ 071C03 MDSKS□□ 071-03 170 |
| 69 | 266 | 3.1 | 12.800 | 100 | 9323 | 132 | 9324 | 285 | 251 | 7.01E-04 | GFLO5 - 2S □□□ 071C03 MDSKS□□ 071-03 170 |
| 79 | 234 | 2.9 | 14.538 | 113 | 9323 | 149 | 9324 | 301 | 234 | 6.75E-04 | GFLO5 - 2S □□□ 071C03 MDSKS□□ 071-03 170 |
| 86 | 214 | 2.7 | 15.904 | 124 | 9323 | 163 | 9324 | 310 | 214 | 6.60E-04 | GFLO5 - 2S □□□ 071C03 MDSKS□□ 071-03 170 |
| 98 | 190 | 2.4 | 17.920 | 139 | 9323 | 184 | 9324 | 312 | 190 | 6.61E-04 | GFLO5 - 2S □□□ 071C03 MDSKS□□ 071-03 170 |
| 111 | 168 | 2.3 | 20.286 | 158 | 9323 | 208 | 9324 | 333 | 168 | 6.43E-04 | GFLO5 - 2S □□□ 071C03 MDSKS□□ 071-03 170 |
| 125 | 149 | 1.9 | 22.857 | 178 | 9323 | 235 | 9324 | 313 | 149 | 6.43E-04 | GFLO5 - 2S □□□ 071C03 MDSKS□□ 071-03 170 |
| 136 | 137 | 2.2 | 24.850 | 193 | 9323 | 255 | 9324 | 344 | 137 | 6.35E-04 | GFLO5 - 2S □□□ 071C03 MDSKS□□ 071-03 170 |
| 154 | 121 | 1.8 | 28.000 | 218 | 9323 | 288 | 9324 | 314 | 121 | 6.33E-04 | GFLO5 - 2S □□□ 071C03 MDSKS□□ 071-03 170 |
| 178 | 105 | 1.7 | 32.344 | 251 | 9323 | 332 | 9324 | 345 | 105 | 6.20E-04 | GFLO5 - 2S □□□ 071C03 MDSKS□□ 071-03 170 |
| 201 | 93 | 1.4 | 36.444 | 283 | 9323 | 375 | 9324 | 316 | 93 | 6.20E-04 | GFLO5 - 2S □□□ 071C03 MDSKS□□ 071-03 170 |
| 222 | 85 | 1.3 | 40.233 | 313 | 9323 | 413 | 9324 | 345 | 85 | 6.15E-04 | GFLO5 - 2S □□□ 071C03 MDSKS□□ 071-03 170 |
| 250 | 75 | 1.1 | 45.333 | 352 | 9323 | 466 | 9324 | 319 | 75 | 6.14E-04 | GFLO5 - 2S □□□ 071C03 MDSKS□□ 071-03 170 |
| 26 | 1110 | 3.8 | 3.333 | 40 | 9324 | 56 | 9325 | 138 | 858 | 9.68E-04 | GFLO5 - 2S □□□ 071C13 MDSKS□□ 071-13 185 |
| 36 | 809 | 3.4 | 4.571 | 55 | 9324 | 76 | 9325 | 170 | 720 | 1.01E-03 | GFLO5 - 2S □□□ 071C13 MDSKS□□ 071-13 185 |
| 40 | 721 | 3.8 | 5.133 | 62 | 9324 | 86 | 9325 | 212 | 557 | 1.04E-03 | GFLO5 - 2S □□□ 071C13 MDSKS□□ 071-13 185 |
| 44 | 653 | 3.8 | 5.667 | 68 | 9324 | 94 | 9325 | 233 | 504 | 1.03E-03 | GFLO5 - 2S □□□ 071C13 MDSKS□□ 071-13 185 |
| 51 | 578 | 2.5 | 6.400 | 77 | 9324 | 107 | 9325 | 173 | 551 | 8.82E-04 | GFLO5 - 2S □□□ 071C13 MDSKS□□ 071-13 185 |
| 55 | 526 | 3.2 | 7.040 | 85 | 9324 | 117 | 9325 | 248 | 462 | 9.47E-04 | GFLO5 - 2S □□□ 071C13 MDSKS□□ 071-13 185 |

Observe the notes for thermal dimensioning.

Selection tables - Shaft-mounted helical gearboxes

Naturally ventilated synchronous geared servo motors



| M ₂ [Nm] | n _{2 trans} [rpm] | c | i | M _{2 max} short-time on geared motor at | | | | M _{2 Gr} gearbox c=1 n ₁ ≤ 1400 rpm [Nm] | n _{2 therm} [rpm] | J _{GM} referred to motor shaft [kgm ²] | Servo shaft-mounted helical geared motor Dimensions on Page 4-82 |
|------------------------|-------------------------------|------------|---------------|--|-------------|----------------------------|-------------|---|-------------------------------|--|---|
| | | | | 8 kHz | | 16 kHz | | | | | |
| | | | | M _{2 max} [Nm] | Type EVS | M _{2 max} [Nm] | Type EVS | | | | |
| 61 | 476 | 3.1 | 7.771 | 94 | 9324 | 130 | 9325 | 258 | 414 | 9.45E-04 | GFL05 - 2S □□□ 071C13 MDSKS□□ 071-13 185 |
| 71 | 411 | 2.7 | 9.010 | 109 | 9324 | 150 | 9325 | 266 | 383 | 8.95E-04 | GFL05 - 2S □□□ 071C13 MDSKS□□ 071-13 185 |
| 79 | 372 | 2.5 | 9.946 | 120 | 9324 | 166 | 9325 | 275 | 343 | 8.89E-04 | GFL05 - 2S □□□ 071C13 MDSKS□□ 071-13 185 |
| 90 | 326 | 2.3 | 11.360 | 137 | 9324 | 189 | 9325 | 278 | 266 | 9.08E-04 | GFL05 - 2S □□□ 071C13 MDSKS□□ 071-13 185 |
| 102 | 289 | 2.0 | 12.800 | 155 | 9324 | 213 | 9325 | 285 | 231 | 9.01E-04 | GFL05 - 2S □□□ 071C13 MDSKS□□ 071-13 185 |
| 116 | 255 | 1.9 | 14.538 | 176 | 9324 | 242 | 9325 | 301 | 220 | 8.75E-04 | GFL05 - 2S □□□ 071C13 MDSKS□□ 071-13 185 |
| 127 | 233 | 1.8 | 15.904 | 192 | 9324 | 265 | 9325 | 310 | 203 | 8.60E-04 | GFL05 - 2S □□□ 071C13 MDSKS□□ 071-13 185 |
| 143 | 206 | 1.6 | 17.920 | 217 | 9324 | 299 | 9325 | 312 | 170 | 8.61E-04 | GFL05 - 2S □□□ 071C13 MDSKS□□ 071-13 185 |
| 163 | 182 | 1.5 | 20.286 | 245 | 9324 | 338 | 9325 | 333 | 173 | 8.43E-04 | GFL05 - 2S □□□ 071C13 MDSKS□□ 071-13 185 |
| 184 | 162 | 1.3 | 22.857 | 276 | 9324 | 381 | 9325 | 313 | 141 | 8.43E-04 | GFL05 - 2S □□□ 071C13 MDSKS□□ 071-13 185 |
| 199 | 149 | 1.4 | 24.850 | 300 | 9324 | 414 | 9325 | 344 | 149 | 8.35E-04 | GFL05 - 2S □□□ 071C13 MDSKS□□ 071-13 185 |
| 225 | 132 | 1.2 | 28.000 | 338 | 9324 | 466 | 9325 | 314 | 127 | 8.33E-04 | GFL05 - 2S □□□ 071C13 MDSKS□□ 071-13 185 |
| 260 | 114 | 1.1 | 32.344 | 391 | 9324 | 518 | 9325 | 345 | 114 | 8.20E-04 | GFL05 - 2S □□□ 071C13 MDSKS□□ 071-13 185 |
| 39 | 1080 | 2.6 | 3.333 | 78 | 9325 | 58 | 9325 | 138 | 792 | 1.17E-03 | GFL05 - 2S □□□ 071C33 MDSKS□□ 071-33 180 |
| 54 | 788 | 2.3 | 4.571 | 106 | 9325 | 80 | 9325 | 170 | 666 | 1.21E-03 | GFL05 - 2S □□□ 071C33 MDSKS□□ 071-33 180 |
| 60 | 701 | 2.6 | 5.133 | 120 | 9325 | 89 | 9325 | 212 | 515 | 1.24E-03 | GFL05 - 2S □□□ 071C33 MDSKS□□ 071-33 180 |
| 67 | 635 | 2.6 | 5.667 | 132 | 9325 | 99 | 9325 | 233 | 465 | 1.23E-03 | GFL05 - 2S □□□ 071C33 MDSKS□□ 071-33 180 |
| 76 | 563 | 1.7 | 6.400 | 149 | 9325 | 112 | 9325 | 173 | 490 | 1.08E-03 | GFL05 - 2S □□□ 071C33 MDSKS□□ 071-33 180 |
| 83 | 511 | 2.2 | 7.040 | 164 | 9325 | 123 | 9325 | 248 | 427 | 1.15E-03 | GFL05 - 2S □□□ 071C33 MDSKS□□ 071-33 180 |
| 92 | 463 | 2.1 | 7.771 | 181 | 9325 | 135 | 9325 | 258 | 382 | 1.15E-03 | GFL05 - 2S □□□ 071C33 MDSKS□□ 071-33 180 |
| 107 | 400 | 1.8 | 9.010 | 210 | 9325 | 157 | 9325 | 266 | 348 | 1.10E-03 | GFL05 - 2S □□□ 071C33 MDSKS□□ 071-33 180 |
| 118 | 362 | 1.7 | 9.946 | 232 | 9325 | 173 | 9325 | 275 | 305 | 1.09E-03 | GFL05 - 2S □□□ 071C33 MDSKS□□ 071-33 180 |
| 135 | 317 | 1.5 | 11.360 | 264 | 9325 | 198 | 9325 | 278 | 225 | 1.11E-03 | GFL05 - 2S □□□ 071C33 MDSKS□□ 071-33 180 |
| 152 | 281 | 1.4 | 12.800 | 298 | 9325 | 223 | 9325 | 285 | 190 | 1.10E-03 | GFL05 - 2S □□□ 071C33 MDSKS□□ 071-33 180 |
| 173 | 248 | 1.3 | 14.538 | 338 | 9325 | 253 | 9325 | 301 | 182 | 1.07E-03 | GFL05 - 2S □□□ 071C33 MDSKS□□ 071-33 180 |
| 189 | 226 | 1.2 | 15.904 | 370 | 9325 | 277 | 9325 | 310 | 171 | 1.06E-03 | GFL05 - 2S □□□ 071C33 MDSKS□□ 071-33 180 |
| 214 | 201 | 1.1 | 17.920 | 417 | 9325 | 312 | 9325 | 312 | 145 | 1.06E-03 | GFL05 - 2S □□□ 071C33 MDSKS□□ 071-33 180 |
| 242 | 177 | 1.0 | 20.286 | 472 | 9325 | 354 | 9325 | 333 | 146 | 1.04E-03 | GFL05 - 2S □□□ 071C33 MDSKS□□ 071-33 180 |
| 165 | 62 | 1.0 | 61.653 | 273 | 9322 | 311 | 9323 | 207 | 62 | 1.60E-04 | GFL05 - 3S □□□ 056C23 MDSKS□□ 056-23 190 |
| 241 | 42 | 1.2 | 90.123 | 399 | 9322 | 454 | 9323 | 303 | 42 | 1.60E-04 | GFL05 - 3S □□□ 056C23 MDSKS□□ 056-23 190 |
| 271 | 37 | 1.1 | 101.547 | 449 | 9322 | 492 | 9323 | 328 | 37 | 1.60E-04 | GFL05 - 3S □□□ 056C23 MDSKS□□ 056-23 190 |
| 53 | 185 | 5.5 | 20.571 | 92 | 9322 | 107 | 9323 | 420 | 185 | 2.59E-04 | GFL06 - 2S □□□ 056C23 MDSKS□□ 056-23 190 |
| 60 | 164 | 5.5 | 23.175 | 104 | 9322 | 121 | 9323 | 473 | 164 | 2.53E-04 | GFL06 - 2S □□□ 056C23 MDSKS□□ 056-23 190 |
| 85 | 116 | 5.2 | 32.800 | 147 | 9322 | 171 | 9323 | 557 | 116 | 1.98E-04 | GFL06 - 2S □□□ 056C23 MDSKS□□ 056-23 190 |

Observe the notes for thermal dimensioning.

Selection tables - Shaft-mounted helical gearboxes

Naturally ventilated synchronous geared servo motors

| M ₂ [Nm] | n ₂ trans [rpm] | c | i | M ₂ max short-time on geared motor at | | | | M ₂ Gr gearbox c=1 n ₁ ≤ 1400 rpm [Nm] | n ₂ therm [rpm] | J _{GM} referred to motor shaft [kgm ²] | Servo shaft-mounted helical geared motor Dimensions on Page 4-82 |
|------------------------|-------------------------------|-----|--------|---|-------------|----------------------------|-------------|--|-------------------------------|---|---|
| | | | | 8 kHz | | 16 kHz | | | | | |
| | | | | M ₂ max [Nm] | Type EVS | M ₂ max [Nm] | Type EVS | | | | |
| 96 | 103 | 5.1 | 36.951 | 166 | 9322 | 192 | 9323 | 611 | 103 | 1.96E-04 | GFL06 - 2S □□□ 056C23 MDSKS□□ 056-23 190 |
| 107 | 93 | 4.4 | 40.800 | 183 | 9322 | 212 | 9323 | 583 | 93 | 1.83E-04 | GFL06 - 2S □□□ 056C23 MDSKS□□ 056-23 190 |
| 121 | 83 | 4.1 | 45.963 | 207 | 9322 | 239 | 9323 | 613 | 83 | 1.81E-04 | GFL06 - 2S □□□ 056C23 MDSKS□□ 056-23 190 |
| 139 | 72 | 3.8 | 52.800 | 237 | 9322 | 275 | 9323 | 660 | 72 | 1.66E-04 | GFL06 - 2S □□□ 056C23 MDSKS□□ 056-23 190 |
| 158 | 64 | 3.2 | 59.481 | 267 | 9322 | 309 | 9323 | 615 | 64 | 1.65E-04 | GFL06 - 2S □□□ 056C23 MDSKS□□ 056-23 190 |
| 171 | 59 | 2.8 | 64.080 | 288 | 9322 | 333 | 9323 | 576 | 59 | 1.59E-04 | GFL06 - 2S □□□ 056C23 MDSKS□□ 056-23 190 |
| 192 | 53 | 2.9 | 72.189 | 324 | 9322 | 375 | 9323 | 616 | 53 | 1.59E-04 | GFL06 - 2S □□□ 056C23 MDSKS□□ 056-23 190 |
| 218 | 47 | 1.8 | 81.000 | 364 | 9322 | 421 | 9323 | 435 | 47 | 1.53E-04 | GFL06 - 2S □□□ 056C23 MDSKS□□ 056-23 190 |
| 246 | 42 | 1.8 | 91.250 | 410 | 9322 | 475 | 9323 | 476 | 42 | 1.52E-04 | GFL06 - 2S □□□ 056C23 MDSKS□□ 056-23 190 |
| 82 | 194 | 3.6 | 20.571 | 137 | 9323 | 179 | 9324 | 420 | 178 | 3.19E-04 | GFL06 - 2S □□□ 056C33 MDSKS□□ 056-33 200 |
| 92 | 173 | 3.6 | 23.175 | 155 | 9323 | 202 | 9324 | 473 | 158 | 3.13E-04 | GFL06 - 2S □□□ 056C33 MDSKS□□ 056-33 200 |
| 130 | 122 | 3.4 | 32.800 | 219 | 9323 | 285 | 9324 | 557 | 122 | 2.58E-04 | GFL06 - 2S □□□ 056C33 MDSKS□□ 056-33 200 |
| 147 | 108 | 3.3 | 36.951 | 247 | 9323 | 321 | 9324 | 611 | 108 | 2.56E-04 | GFL06 - 2S □□□ 056C33 MDSKS□□ 056-33 200 |
| 163 | 98 | 2.9 | 40.800 | 272 | 9323 | 355 | 9324 | 583 | 98 | 2.43E-04 | GFL06 - 2S □□□ 056C33 MDSKS□□ 056-33 200 |
| 184 | 87 | 2.7 | 45.963 | 307 | 9323 | 400 | 9324 | 613 | 87 | 2.41E-04 | GFL06 - 2S □□□ 056C33 MDSKS□□ 056-33 200 |
| 212 | 76 | 2.5 | 52.800 | 352 | 9323 | 459 | 9324 | 660 | 76 | 2.26E-04 | GFL06 - 2S □□□ 056C33 MDSKS□□ 056-33 200 |
| 240 | 67 | 2.1 | 59.481 | 397 | 9323 | 517 | 9324 | 615 | 67 | 2.25E-04 | GFL06 - 2S □□□ 056C33 MDSKS□□ 056-33 200 |
| 259 | 62 | 1.8 | 64.080 | 428 | 9323 | 557 | 9324 | 576 | 62 | 2.19E-04 | GFL06 - 2S □□□ 056C33 MDSKS□□ 056-33 200 |
| 291 | 55 | 1.9 | 72.189 | 482 | 9323 | 628 | 9324 | 616 | 55 | 2.19E-04 | GFL06 - 2S □□□ 056C33 MDSKS□□ 056-33 200 |
| 329 | 49 | 1.2 | 81.000 | 541 | 9323 | 652 | 9324 | 435 | 49 | 2.13E-04 | GFL06 - 2S □□□ 056C33 MDSKS□□ 056-33 200 |
| 371 | 44 | 1.2 | 91.250 | 609 | 9323 | 714 | 9324 | 476 | 44 | 2.12E-04 | GFL06 - 2S □□□ 056C33 MDSKS□□ 056-33 200 |
| 34 | 527 | 5.6 | 6.450 | 50 | 9323 | 66 | 9324 | 263 | 527 | 9.65E-04 | GFL06 - 2S □□□ 071C03 MDSKS□□ 071-03 170 |
| 53 | 337 | 5.6 | 10.092 | 78 | 9323 | 104 | 9324 | 412 | 337 | 8.52E-04 | GFL06 - 2S □□□ 071C03 MDSKS□□ 071-03 170 |
| 78 | 231 | 5.6 | 14.743 | 115 | 9323 | 152 | 9324 | 602 | 231 | 7.95E-04 | GFL06 - 2S □□□ 071C03 MDSKS□□ 071-03 170 |
| 85 | 211 | 5.5 | 16.128 | 125 | 9323 | 166 | 9324 | 643 | 211 | 7.68E-04 | GFL06 - 2S □□□ 071C03 MDSKS□□ 071-03 170 |
| 97 | 187 | 4.5 | 18.169 | 141 | 9323 | 187 | 9324 | 600 | 187 | 7.57E-04 | GFL06 - 2S □□□ 071C03 MDSKS□□ 071-03 170 |
| 110 | 165 | 4.3 | 20.571 | 160 | 9323 | 211 | 9324 | 645 | 165 | 7.19E-04 | GFL06 - 2S □□□ 071C03 MDSKS□□ 071-03 170 |
| 125 | 147 | 3.6 | 23.175 | 180 | 9323 | 238 | 9324 | 604 | 147 | 7.13E-04 | GFL06 - 2S □□□ 071C03 MDSKS□□ 071-03 170 |
| 135 | 135 | 4.0 | 25.200 | 196 | 9323 | 259 | 9324 | 651 | 135 | 6.90E-04 | GFL06 - 2S □□□ 071C03 MDSKS□□ 071-03 170 |
| 153 | 120 | 3.3 | 28.389 | 221 | 9323 | 292 | 9324 | 607 | 120 | 6.86E-04 | GFL06 - 2S □□□ 071C03 MDSKS□□ 071-03 170 |
| 178 | 104 | 3.1 | 32.800 | 255 | 9323 | 337 | 9324 | 641 | 104 | 6.58E-04 | GFL06 - 2S □□□ 071C03 MDSKS□□ 071-03 170 |
| 201 | 92 | 2.6 | 36.951 | 287 | 9323 | 380 | 9324 | 611 | 92 | 6.56E-04 | GFL06 - 2S □□□ 071C03 MDSKS□□ 071-03 170 |
| 222 | 83 | 2.5 | 40.800 | 317 | 9323 | 419 | 9324 | 657 | 83 | 6.43E-04 | GFL06 - 2S □□□ 071C03 MDSKS□□ 071-03 170 |
| 251 | 74 | 2.1 | 45.963 | 357 | 9323 | 472 | 9324 | 613 | 74 | 6.41E-04 | GFL06 - 2S □□□ 071C03 MDSKS□□ 071-03 170 |

Observe the notes for thermal dimensioning.

Selection tables - Shaft-mounted helical gearboxes

Naturally ventilated synchronous geared servo motors



| M ₂ [Nm] | n ₂ trans [rpm] | c | i | M ₂ max short-time on geared motor at | | | | M ₂ Gr gearbox c=1 n ₁ ≤ 1400 rpm [Nm] | n ₂ therm [rpm] | J _{GM} referred to motor shaft [kgm ²] | Servo shaft-mounted helical geared motor Dimensions on Page 4-82 |
|------------------------|-------------------------------|------------|---------------|---|-------------|----------------------------|-------------|--|-------------------------------|---|---|
| | | | | 8 kHz | | 16 kHz | | | | | |
| | | | | M ₂ max [Nm] | Type EVS | M ₂ max [Nm] | Type EVS | | | | |
| 289 | 64 | 2.0 | 52.800 | 410 | 9323 | 543 | 9324 | 660 | 64 | 6.26E-04 | GFL06 - 2S □□□ 071C03 MDSKS□□ 071-03 170 |
| 327 | 57 | 1.6 | 59.481 | 462 | 9323 | 611 | 9324 | 615 | 57 | 6.25E-04 | GFL06 - 2S □□□ 071C03 MDSKS□□ 071-03 170 |
| 353 | 53 | 1.4 | 64.080 | 498 | 9323 | 658 | 9324 | 576 | 53 | 6.19E-04 | GFL06 - 2S □□□ 071C03 MDSKS□□ 071-03 170 |
| 397 | 47 | 1.5 | 72.189 | 561 | 9323 | 742 | 9324 | 616 | 47 | 6.19E-04 | GFL06 - 2S □□□ 071C03 MDSKS□□ 071-03 170 |
| 50 | 574 | 3.8 | 6.450 | 78 | 9324 | 107 | 9325 | 263 | 503 | 1.17E-03 | GFL06 - 2S □□□ 071C13 MDSKS□□ 071-13 185 |
| 79 | 367 | 3.8 | 10.092 | 122 | 9324 | 168 | 9325 | 412 | 321 | 1.05E-03 | GFL06 - 2S □□□ 071C13 MDSKS□□ 071-13 185 |
| 115 | 251 | 3.8 | 14.743 | 178 | 9324 | 246 | 9325 | 602 | 220 | 9.95E-04 | GFL06 - 2S □□□ 071C13 MDSKS□□ 071-13 185 |
| 126 | 229 | 3.7 | 16.128 | 195 | 9324 | 269 | 9325 | 643 | 207 | 9.68E-04 | GFL06 - 2S □□□ 071C13 MDSKS□□ 071-13 185 |
| 143 | 204 | 3.0 | 18.169 | 220 | 9324 | 303 | 9325 | 600 | 177 | 9.57E-04 | GFL06 - 2S □□□ 071C13 MDSKS□□ 071-13 185 |
| 162 | 180 | 2.9 | 20.571 | 249 | 9324 | 343 | 9325 | 645 | 171 | 9.19E-04 | GFL06 - 2S □□□ 071C13 MDSKS□□ 071-13 185 |
| 184 | 160 | 2.4 | 23.175 | 280 | 9324 | 386 | 9325 | 604 | 147 | 9.13E-04 | GFL06 - 2S □□□ 071C13 MDSKS□□ 071-13 185 |
| 199 | 147 | 2.7 | 25.200 | 304 | 9324 | 420 | 9325 | 651 | 147 | 8.90E-04 | GFL06 - 2S □□□ 071C13 MDSKS□□ 071-13 185 |
| 226 | 130 | 2.2 | 28.389 | 343 | 9324 | 473 | 9325 | 607 | 130 | 8.86E-04 | GFL06 - 2S □□□ 071C13 MDSKS□□ 071-13 185 |
| 261 | 113 | 2.0 | 32.800 | 396 | 9324 | 546 | 9325 | 641 | 113 | 8.58E-04 | GFL06 - 2S □□□ 071C13 MDSKS□□ 071-13 185 |
| 295 | 100 | 1.7 | 36.951 | 446 | 9324 | 616 | 9325 | 611 | 100 | 8.56E-04 | GFL06 - 2S □□□ 071C13 MDSKS□□ 071-13 185 |
| 326 | 91 | 1.7 | 40.800 | 493 | 9324 | 680 | 9325 | 657 | 91 | 8.43E-04 | GFL06 - 2S □□□ 071C13 MDSKS□□ 071-13 185 |
| 369 | 81 | 1.4 | 45.963 | 555 | 9324 | 766 | 9325 | 613 | 81 | 8.41E-04 | GFL06 - 2S □□□ 071C13 MDSKS□□ 071-13 185 |
| 424 | 70 | 1.3 | 52.800 | 638 | 9324 | 880 | 9325 | 660 | 70 | 8.26E-04 | GFL06 - 2S □□□ 071C13 MDSKS□□ 071-13 185 |
| 479 | 62 | 1.1 | 59.481 | 719 | 9324 | 922 | 9325 | 615 | 62 | 8.25E-04 | GFL06 - 2S □□□ 071C13 MDSKS□□ 071-13 185 |
| 76 | 558 | 2.6 | 6.450 | 150 | 9325 | 112 | 9325 | 263 | 465 | 1.37E-03 | GFL06 - 2S □□□ 071C33 MDSKS□□ 071-33 180 |
| 119 | 357 | 2.6 | 10.092 | 235 | 9325 | 176 | 9325 | 412 | 297 | 1.25E-03 | GFL06 - 2S □□□ 071C33 MDSKS□□ 071-33 180 |
| 173 | 244 | 2.6 | 14.743 | 343 | 9325 | 257 | 9325 | 602 | 203 | 1.20E-03 | GFL06 - 2S □□□ 071C33 MDSKS□□ 071-33 180 |
| 190 | 223 | 2.5 | 16.128 | 375 | 9325 | 281 | 9325 | 643 | 192 | 1.17E-03 | GFL06 - 2S □□□ 071C33 MDSKS□□ 071-33 180 |
| 214 | 198 | 2.1 | 18.169 | 423 | 9325 | 317 | 9325 | 600 | 163 | 1.16E-03 | GFL06 - 2S □□□ 071C33 MDSKS□□ 071-33 180 |
| 243 | 175 | 2.0 | 20.571 | 479 | 9325 | 359 | 9325 | 645 | 159 | 1.12E-03 | GFL06 - 2S □□□ 071C33 MDSKS□□ 071-33 180 |
| 275 | 155 | 1.6 | 23.175 | 539 | 9325 | 404 | 9325 | 604 | 129 | 1.11E-03 | GFL06 - 2S □□□ 071C33 MDSKS□□ 071-33 180 |
| 298 | 143 | 1.8 | 25.200 | 587 | 9325 | 439 | 9325 | 651 | 143 | 1.09E-03 | GFL06 - 2S □□□ 071C33 MDSKS□□ 071-33 180 |
| 337 | 127 | 1.5 | 28.389 | 661 | 9325 | 495 | 9325 | 607 | 119 | 1.09E-03 | GFL06 - 2S □□□ 071C33 MDSKS□□ 071-33 180 |
| 390 | 110 | 1.4 | 32.800 | 763 | 9325 | 572 | 9325 | 641 | 110 | 1.06E-03 | GFL06 - 2S □□□ 071C33 MDSKS□□ 071-33 180 |
| 440 | 97 | 1.2 | 36.951 | 860 | 9325 | 644 | 9325 | 611 | 96 | 1.06E-03 | GFL06 - 2S □□□ 071C33 MDSKS□□ 071-33 180 |
| 486 | 88 | 1.1 | 40.800 | 950 | 9325 | 711 | 9325 | 657 | 88 | 1.04E-03 | GFL06 - 2S □□□ 071C33 MDSKS□□ 071-33 180 |
| 174 | 57 | 2.6 | 66.213 | 293 | 9322 | 339 | 9323 | 497 | 57 | 1.69E-04 | GFL06 - 3S □□□ 056C23 MDSKS□□ 056-23 190 |
| 190 | 53 | 2.4 | 72.000 | 319 | 9322 | 369 | 9323 | 497 | 53 | 1.66E-04 | GFL06 - 3S □□□ 056C23 MDSKS□□ 056-23 190 |
| 215 | 47 | 2.1 | 81.111 | 359 | 9322 | 416 | 9323 | 497 | 47 | 1.66E-04 | GFL06 - 3S □□□ 056C23 MDSKS□□ 056-23 190 |

Observe the notes for thermal dimensioning.

Selection tables - Shaft-mounted helical gearboxes

Naturally ventilated synchronous geared servo motors

| M ₂ [Nm] | n _{2 trans} [rpm] | c | i | M _{2 max} short-time on geared motor at | | | | M _{2 Gr} gearbox c=1 n ₁ ≤ 1400 rpm [Nm] | n _{2 therm} [rpm] | J _{GM} referred to motor shaft [kgm ²] | Servo shaft-mounted helical geared motor Dimensions on Page 4-82 |
|------------------------|-------------------------------|-----|---------|---|-------------|----------------------------|-------------|--|-------------------------------|---|---|
| | | | | 8 kHz | | 16 kHz | | | | | |
| | | | | M _{2 max} [Nm] | Type EVS | M _{2 max} [Nm] | Type EVS | | | | |
| 234 | 43 | 1.9 | 88.200 | 390 | 9322 | 452 | 9323 | 488 | 43 | 1.59E-04 | GFL06 - 3S □□□ 056C23 MDSKS□□ 056-23 190 |
| 263 | 38 | 1.9 | 99.361 | 440 | 9322 | 509 | 9323 | 550 | 38 | 1.59E-04 | GFL06 - 3S □□□ 056C23 MDSKS□□ 056-23 190 |
| 310 | 33 | 1.6 | 116.571 | 516 | 9322 | 597 | 9323 | 528 | 33 | 1.49E-04 | GFL06 - 3S □□□ 056C23 MDSKS□□ 056-23 190 |
| 349 | 29 | 1.6 | 131.323 | 581 | 9322 | 673 | 9323 | 595 | 29 | 1.61E-04 | GFL06 - 3S □□□ 056C23 MDSKS□□ 056-23 190 |
| 385 | 26 | 1.3 | 144.320 | 639 | 9322 | 739 | 9323 | 560 | 26 | 1.51E-04 | GFL06 - 3S □□□ 056C23 MDSKS□□ 056-23 190 |
| 434 | 23 | 1.3 | 162.583 | 719 | 9322 | 833 | 9323 | 613 | 23 | 1.51E-04 | GFL06 - 3S □□□ 056C23 MDSKS□□ 056-23 190 |
| 480 | 21 | 1.2 | 179.520 | 794 | 9322 | 908 | 9323 | 605 | 21 | 1.50E-04 | GFL06 - 3S □□□ 056C23 MDSKS□□ 056-23 190 |
| 541 | 19 | 1.0 | 202.237 | 895 | 9322 | 916 | 9323 | 611 | 19 | 1.50E-04 | GFL06 - 3S □□□ 056C23 MDSKS□□ 056-23 190 |
| 264 | 60 | 1.7 | 66.213 | 435 | 9323 | 567 | 9324 | 497 | 60 | 2.29E-04 | GFL06 - 3S □□□ 056C33 MDSKS□□ 056-33 200 |
| 287 | 56 | 1.6 | 72.000 | 473 | 9323 | 617 | 9324 | 497 | 56 | 2.26E-04 | GFL06 - 3S □□□ 056C33 MDSKS□□ 056-33 200 |
| 324 | 49 | 1.4 | 81.111 | 533 | 9323 | 695 | 9324 | 497 | 49 | 2.26E-04 | GFL06 - 3S □□□ 056C33 MDSKS□□ 056-33 200 |
| 353 | 45 | 1.3 | 88.200 | 580 | 9323 | 732 | 9324 | 488 | 45 | 2.19E-04 | GFL06 - 3S □□□ 056C33 MDSKS□□ 056-33 200 |
| 398 | 40 | 1.3 | 99.361 | 653 | 9323 | 824 | 9324 | 550 | 40 | 2.19E-04 | GFL06 - 3S □□□ 056C33 MDSKS□□ 056-33 200 |
| 468 | 34 | 1.0 | 116.571 | 767 | 9323 | 792 | 9324 | 528 | 34 | 2.09E-04 | GFL06 - 3S □□□ 056C33 MDSKS□□ 056-33 200 |
| 527 | 30 | 1.0 | 131.323 | 863 | 9323 | 893 | 9324 | 595 | 30 | 2.21E-04 | GFL06 - 3S □□□ 056C33 MDSKS□□ 056-33 200 |
| 359 | 51 | 1.3 | 66.213 | 507 | 9323 | 670 | 9324 | 497 | 51 | 6.29E-04 | GFL06 - 3S □□□ 071C03 MDSKS□□ 071-03 170 |
| 391 | 47 | 1.2 | 72.000 | 551 | 9323 | 729 | 9324 | 497 | 47 | 6.26E-04 | GFL06 - 3S □□□ 071C03 MDSKS□□ 071-03 170 |
| 441 | 42 | 1.1 | 81.111 | 621 | 9323 | 745 | 9324 | 497 | 42 | 6.26E-04 | GFL06 - 3S □□□ 071C03 MDSKS□□ 071-03 170 |
| 137 | 73 | 4.4 | 52.067 | 234 | 9322 | 271 | 9323 | 745 | 73 | 2.18E-04 | GFL07 - 2S □□□ 056C23 MDSKS□□ 056-23 190 |
| 154 | 65 | 4.4 | 58.667 | 264 | 9322 | 305 | 9323 | 839 | 65 | 2.15E-04 | GFL07 - 2S □□□ 056C23 MDSKS□□ 056-23 190 |
| 167 | 60 | 3.8 | 63.190 | 284 | 9322 | 329 | 9323 | 792 | 60 | 1.97E-04 | GFL07 - 2S □□□ 056C23 MDSKS□□ 056-23 190 |
| 187 | 53 | 4.3 | 71.200 | 320 | 9322 | 370 | 9323 | 893 | 53 | 1.96E-04 | GFL07 - 2S □□□ 056C23 MDSKS□□ 056-23 190 |
| 212 | 48 | 3.4 | 79.875 | 359 | 9322 | 415 | 9323 | 796 | 48 | 1.77E-04 | GFL07 - 2S □□□ 056C23 MDSKS□□ 056-23 190 |
| 238 | 42 | 3.4 | 90.000 | 404 | 9322 | 468 | 9323 | 897 | 42 | 1.76E-04 | GFL07 - 2S □□□ 056C23 MDSKS□□ 056-23 190 |
| 208 | 77 | 2.9 | 52.067 | 348 | 9323 | 453 | 9324 | 745 | 77 | 2.78E-04 | GFL07 - 2S □□□ 056C33 MDSKS□□ 056-33 200 |
| 234 | 68 | 2.9 | 58.667 | 392 | 9323 | 510 | 9324 | 839 | 68 | 2.75E-04 | GFL07 - 2S □□□ 056C33 MDSKS□□ 056-33 200 |
| 253 | 63 | 2.5 | 63.190 | 422 | 9323 | 549 | 9324 | 792 | 63 | 2.57E-04 | GFL07 - 2S □□□ 056C33 MDSKS□□ 056-33 200 |
| 285 | 56 | 2.8 | 71.200 | 475 | 9323 | 619 | 9324 | 893 | 56 | 2.56E-04 | GFL07 - 2S □□□ 056C33 MDSKS□□ 056-33 200 |
| 321 | 50 | 2.2 | 79.875 | 533 | 9323 | 694 | 9324 | 796 | 50 | 2.37E-04 | GFL07 - 2S □□□ 056C33 MDSKS□□ 056-33 200 |
| 362 | 44 | 2.2 | 90.000 | 601 | 9323 | 782 | 9324 | 897 | 44 | 2.36E-04 | GFL07 - 2S □□□ 056C33 MDSKS□□ 056-33 200 |
| 107 | 168 | 5.6 | 20.286 | 158 | 9323 | 208 | 9324 | 828 | 168 | 9.47E-04 | GFL07 - 2S □□□ 071C03 MDSKS□□ 071-03 170 |
| 120 | 149 | 5.6 | 22.857 | 178 | 9323 | 235 | 9324 | 933 | 149 | 9.27E-04 | GFL07 - 2S □□□ 071C03 MDSKS□□ 071-03 170 |
| 171 | 105 | 5.1 | 32.344 | 251 | 9323 | 332 | 9324 | 1048 | 105 | 7.69E-04 | GFL07 - 2S □□□ 071C03 MDSKS□□ 071-03 170 |
| 193 | 93 | 5.1 | 36.444 | 283 | 9323 | 375 | 9324 | 1181 | 93 | 7.61E-04 | GFL07 - 2S □□□ 071C03 MDSKS□□ 071-03 170 |

Observe the notes for thermal dimensioning.

Selection tables - Shaft-mounted helical gearboxes

Naturally ventilated synchronous geared servo motors



| M ₂ [Nm] | n ₂ trans [rpm] | c | i | M ₂ max short-time on geared motor at | | | | M ₂ Gr gearbox c=1 n ₁ ≤ 1400 rpm [Nm] | n ₂ therm [rpm] | J _{GM} referred to motor shaft [kgm ²] | Servo shaft-mounted helical geared motor Dimensions on Page 4-82 |
|------------------------|-------------------------------|------------|---------------|---|-------------|----------------------------|-------------|--|-------------------------------|---|---|
| | | | | 8 kHz | | 16 kHz | | | | | |
| | | | | M ₂ max [Nm] | Type EVS | M ₂ max [Nm] | Type EVS | | | | |
| 212 | 86 | 4.3 | 39.642 | 308 | 9323 | 407 | 9324 | 1093 | 86 | 7.25E-04 | GFL07 - 2S □□□ 071C03 MDSKS□□ 071-03 170 |
| 239 | 76 | 4.3 | 44.667 | 347 | 9323 | 459 | 9324 | 1231 | 76 | 7.20E-04 | GFL07 - 2S □□□ 071C03 MDSKS□□ 071-03 170 |
| 281 | 65 | 3.4 | 52.067 | 405 | 9323 | 535 | 9324 | 1127 | 65 | 6.78E-04 | GFL07 - 2S □□□ 071C03 MDSKS□□ 071-03 170 |
| 316 | 58 | 3.4 | 58.667 | 456 | 9323 | 603 | 9324 | 1270 | 58 | 6.75E-04 | GFL07 - 2S □□□ 071C03 MDSKS□□ 071-03 170 |
| 343 | 54 | 2.8 | 63.190 | 491 | 9323 | 649 | 9324 | 1145 | 54 | 6.57E-04 | GFL07 - 2S □□□ 071C03 MDSKS□□ 071-03 170 |
| 385 | 48 | 3.1 | 71.200 | 553 | 9323 | 732 | 9324 | 1280 | 48 | 6.56E-04 | GFL07 - 2S □□□ 071C03 MDSKS□□ 071-03 170 |
| 438 | 43 | 1.9 | 79.875 | 621 | 9323 | 821 | 9324 | 854 | 43 | 6.37E-04 | GFL07 - 2S □□□ 071C03 MDSKS□□ 071-03 170 |
| 494 | 38 | 1.8 | 90.000 | 699 | 9323 | 925 | 9324 | 930 | 38 | 6.36E-04 | GFL07 - 2S □□□ 071C03 MDSKS□□ 071-03 170 |
| 159 | 182 | 3.8 | 20.286 | 245 | 9324 | 338 | 9325 | 828 | 161 | 1.15E-03 | GFL07 - 2S □□□ 071C13 MDSKS□□ 071-13 185 |
| 179 | 162 | 3.8 | 22.857 | 276 | 9324 | 381 | 9325 | 933 | 143 | 1.13E-03 | GFL07 - 2S □□□ 071C13 MDSKS□□ 071-13 185 |
| 254 | 114 | 3.4 | 32.344 | 391 | 9324 | 539 | 9325 | 1048 | 114 | 9.69E-04 | GFL07 - 2S □□□ 071C13 MDSKS□□ 071-13 185 |
| 286 | 102 | 3.4 | 36.444 | 440 | 9324 | 607 | 9325 | 1181 | 102 | 9.61E-04 | GFL07 - 2S □□□ 071C13 MDSKS□□ 071-13 185 |
| 313 | 93 | 2.9 | 39.642 | 479 | 9324 | 660 | 9325 | 1093 | 93 | 9.25E-04 | GFL07 - 2S □□□ 071C13 MDSKS□□ 071-13 185 |
| 353 | 83 | 2.9 | 44.667 | 540 | 9324 | 744 | 9325 | 1231 | 83 | 9.20E-04 | GFL07 - 2S □□□ 071C13 MDSKS□□ 071-13 185 |
| 414 | 71 | 2.3 | 52.067 | 629 | 9324 | 867 | 9325 | 1127 | 71 | 8.78E-04 | GFL07 - 2S □□□ 071C13 MDSKS□□ 071-13 185 |
| 466 | 63 | 2.3 | 58.667 | 709 | 9324 | 977 | 9325 | 1270 | 63 | 8.75E-04 | GFL07 - 2S □□□ 071C13 MDSKS□□ 071-13 185 |
| 504 | 59 | 1.9 | 63.190 | 763 | 9324 | 1053 | 9325 | 1145 | 59 | 8.57E-04 | GFL07 - 2S □□□ 071C13 MDSKS□□ 071-13 185 |
| 567 | 52 | 2.1 | 71.200 | 860 | 9324 | 1186 | 9325 | 1280 | 52 | 8.56E-04 | GFL07 - 2S □□□ 071C13 MDSKS□□ 071-13 185 |
| 642 | 46 | 1.2 | 79.875 | 965 | 9324 | 1281 | 9325 | 854 | 46 | 8.37E-04 | GFL07 - 2S □□□ 071C13 MDSKS□□ 071-13 185 |
| 723 | 41 | 1.2 | 90.000 | 1087 | 9324 | 1396 | 9325 | 930 | 41 | 8.36E-04 | GFL07 - 2S □□□ 071C13 MDSKS□□ 071-13 185 |
| 238 | 177 | 2.6 | 20.286 | 472 | 9325 | 354 | 9325 | 828 | 149 | 1.35E-03 | GFL07 - 2S □□□ 071C33 MDSKS□□ 071-33 180 |
| 268 | 158 | 2.6 | 22.857 | 532 | 9325 | 398 | 9325 | 933 | 132 | 1.33E-03 | GFL07 - 2S □□□ 071C33 MDSKS□□ 071-33 180 |
| 381 | 111 | 2.3 | 32.344 | 753 | 9325 | 564 | 9325 | 1048 | 111 | 1.17E-03 | GFL07 - 2S □□□ 071C33 MDSKS□□ 071-33 180 |
| 429 | 99 | 2.3 | 36.444 | 848 | 9325 | 635 | 9325 | 1181 | 99 | 1.16E-03 | GFL07 - 2S □□□ 071C33 MDSKS□□ 071-33 180 |
| 468 | 91 | 2.0 | 39.642 | 923 | 9325 | 691 | 9325 | 1093 | 91 | 1.13E-03 | GFL07 - 2S □□□ 071C33 MDSKS□□ 071-33 180 |
| 528 | 81 | 2.0 | 44.667 | 1040 | 9325 | 778 | 9325 | 1231 | 81 | 1.12E-03 | GFL07 - 2S □□□ 071C33 MDSKS□□ 071-33 180 |
| 618 | 69 | 1.5 | 52.067 | 1212 | 9325 | 907 | 9325 | 1127 | 69 | 1.08E-03 | GFL07 - 2S □□□ 071C33 MDSKS□□ 071-33 180 |
| 696 | 61 | 1.5 | 58.667 | 1366 | 9325 | 1022 | 9325 | 1270 | 61 | 1.08E-03 | GFL07 - 2S □□□ 071C33 MDSKS□□ 071-33 180 |
| 752 | 57 | 1.3 | 63.190 | 1471 | 9325 | 1101 | 9325 | 1145 | 57 | 1.06E-03 | GFL07 - 2S □□□ 071C33 MDSKS□□ 071-33 180 |
| 846 | 51 | 1.4 | 71.200 | 1657 | 9325 | 1241 | 9325 | 1280 | 51 | 1.06E-03 | GFL07 - 2S □□□ 071C33 MDSKS□□ 071-33 180 |
| 168 | 58 | 4.7 | 65.306 | 289 | 9322 | 335 | 9323 | 883 | 58 | 2.19E-04 | GFL07 - 3S □□□ 056C23 MDSKS□□ 056-23 190 |
| 187 | 52 | 4.1 | 72.452 | 321 | 9322 | 371 | 9323 | 869 | 52 | 2.29E-04 | GFL07 - 3S □□□ 056C23 MDSKS□□ 056-23 190 |
| 211 | 47 | 4.1 | 81.636 | 361 | 9322 | 418 | 9323 | 979 | 47 | 2.28E-04 | GFL07 - 3S □□□ 056C23 MDSKS□□ 056-23 190 |
| 241 | 41 | 3.6 | 92.413 | 409 | 9322 | 473 | 9323 | 961 | 41 | 2.01E-04 | GFL07 - 3S □□□ 056C23 MDSKS□□ 056-23 190 |

Observe the notes for thermal dimensioning.

Selection tables - Shaft-mounted helical gearboxes

Naturally ventilated synchronous geared servo motors

| M ₂ [Nm] | n _{2 trans} [rpm] | c | i | M _{2 max} short-time on geared motor at | | | | M _{2 Gr} gearbox c=1 n ₁ ≤1400 rpm [Nm] | n _{2 therm} [rpm] | J _{GM} referred to motor shaft [kgm ²] | Servo shaft-mounted helical geared motor Dimensions on Page 4-82 |
|------------------------|-------------------------------|-----|---------|---|-------------|----------------------------|-------------|---|-------------------------------|---|---|
| | | | | 8 kHz | | 16 kHz | | | | | |
| | | | | M _{2 max} [Nm] | Type EVS | M _{2 max} [Nm] | Type EVS | | | | |
| 271 | 36 | 3.6 | 104.127 | 461 | 9322 | 533 | 9323 | 1082 | 36 | 2.00E-04 | GFL07 - 3S □□□ 056C23 MDSKS□□ 056-23 190 |
| 296 | 34 | 3.2 | 113.206 | 501 | 9322 | 580 | 9323 | 1040 | 34 | 1.85E-04 | GFL07 - 3S □□□ 056C23 MDSKS□□ 056-23 190 |
| 334 | 30 | 3.2 | 127.556 | 564 | 9322 | 653 | 9323 | 1171 | 30 | 1.84E-04 | GFL07 - 3S □□□ 056C23 MDSKS□□ 056-23 190 |
| 387 | 26 | 2.7 | 147.347 | 652 | 9322 | 755 | 9323 | 1140 | 26 | 1.67E-04 | GFL07 - 3S □□□ 056C23 MDSKS□□ 056-23 190 |
| 437 | 23 | 2.6 | 166.025 | 735 | 9322 | 850 | 9323 | 1248 | 23 | 1.67E-04 | GFL07 - 3S □□□ 056C23 MDSKS□□ 056-23 190 |
| 484 | 21 | 2.3 | 183.285 | 811 | 9322 | 939 | 9323 | 1236 | 21 | 1.59E-04 | GFL07 - 3S □□□ 056C23 MDSKS□□ 056-23 190 |
| 546 | 18 | 2.1 | 206.519 | 914 | 9322 | 1058 | 9323 | 1248 | 18 | 1.59E-04 | GFL07 - 3S □□□ 056C23 MDSKS□□ 056-23 190 |
| 594 | 17 | 2.1 | 224.636 | 994 | 9322 | 1151 | 9323 | 1343 | 17 | 1.58E-04 | GFL07 - 3S □□□ 056C23 MDSKS□□ 056-23 190 |
| 672 | 15 | 1.7 | 253.111 | 1120 | 9322 | 1297 | 9323 | 1258 | 15 | 1.58E-04 | GFL07 - 3S □□□ 056C23 MDSKS□□ 056-23 190 |
| 773 | 13 | 1.6 | 290.706 | 1286 | 9322 | 1489 | 9323 | 1378 | 13 | 1.51E-04 | GFL07 - 3S □□□ 056C23 MDSKS□□ 056-23 190 |
| 874 | 12 | 1.3 | 327.556 | 1449 | 9322 | 1678 | 9323 | 1258 | 12 | 1.51E-04 | GFL07 - 3S □□□ 056C23 MDSKS□□ 056-23 190 |
| 941 | 11 | 1.3 | 352.811 | 1561 | 9322 | 1807 | 9323 | 1378 | 11 | 1.48E-04 | GFL07 - 3S □□□ 056C23 MDSKS□□ 056-23 190 |
| 1063 | 9.6 | 1.1 | 397.533 | 1759 | 9322 | 1887 | 9323 | 1258 | 9.6 | 1.48E-04 | GFL07 - 3S □□□ 056C23 MDSKS□□ 056-23 190 |
| 1151 | 8.8 | 1.0 | 430.222 | 1904 | 9322 | 1905 | 9323 | 1270 | 8.8 | 1.50E-04 | GFL07 - 3S □□□ 056C23 MDSKS□□ 056-23 190 |
| 256 | 61 | 3.1 | 65.306 | 429 | 9323 | 559 | 9324 | 883 | 61 | 2.79E-04 | GFL07 - 3S □□□ 056C33 MDSKS□□ 056-33 200 |
| 286 | 55 | 2.7 | 72.452 | 476 | 9323 | 620 | 9324 | 869 | 55 | 2.89E-04 | GFL07 - 3S □□□ 056C33 MDSKS□□ 056-33 200 |
| 322 | 49 | 2.7 | 81.636 | 537 | 9323 | 699 | 9324 | 979 | 49 | 2.88E-04 | GFL07 - 3S □□□ 056C33 MDSKS□□ 056-33 200 |
| 366 | 43 | 2.4 | 92.413 | 608 | 9323 | 791 | 9324 | 961 | 43 | 2.61E-04 | GFL07 - 3S □□□ 056C33 MDSKS□□ 056-33 200 |
| 412 | 38 | 2.4 | 104.127 | 685 | 9323 | 892 | 9324 | 1082 | 38 | 2.60E-04 | GFL07 - 3S □□□ 056C33 MDSKS□□ 056-33 200 |
| 449 | 35 | 2.1 | 113.206 | 744 | 9323 | 969 | 9324 | 1040 | 35 | 2.45E-04 | GFL07 - 3S □□□ 056C33 MDSKS□□ 056-33 200 |
| 506 | 31 | 2.1 | 127.556 | 839 | 9323 | 1092 | 9324 | 1171 | 31 | 2.44E-04 | GFL07 - 3S □□□ 056C33 MDSKS□□ 056-33 200 |
| 587 | 27 | 1.8 | 147.347 | 969 | 9323 | 1262 | 9324 | 1140 | 27 | 2.27E-04 | GFL07 - 3S □□□ 056C33 MDSKS□□ 056-33 200 |
| 662 | 24 | 1.7 | 166.025 | 1092 | 9323 | 1422 | 9324 | 1248 | 24 | 2.27E-04 | GFL07 - 3S □□□ 056C33 MDSKS□□ 056-33 200 |
| 732 | 22 | 1.5 | 183.285 | 1205 | 9323 | 1569 | 9324 | 1236 | 22 | 2.19E-04 | GFL07 - 3S □□□ 056C33 MDSKS□□ 056-33 200 |
| 826 | 19 | 1.4 | 206.519 | 1358 | 9323 | 1768 | 9324 | 1248 | 19 | 2.19E-04 | GFL07 - 3S □□□ 056C33 MDSKS□□ 056-33 200 |
| 898 | 18 | 1.4 | 224.636 | 1477 | 9323 | 1924 | 9324 | 1343 | 18 | 2.18E-04 | GFL07 - 3S □□□ 056C33 MDSKS□□ 056-33 200 |
| 1015 | 16 | 1.1 | 253.111 | 1664 | 9323 | 1887 | 9324 | 1258 | 16 | 2.18E-04 | GFL07 - 3S □□□ 056C33 MDSKS□□ 056-33 200 |
| 1166 | 14 | 1.1 | 290.706 | 1911 | 9323 | 2067 | 9324 | 1378 | 14 | 2.11E-04 | GFL07 - 3S □□□ 056C33 MDSKS□□ 056-33 200 |
| 351 | 52 | 2.4 | 65.306 | 500 | 9323 | 661 | 9324 | 883 | 52 | 6.79E-04 | GFL07 - 3S □□□ 071C03 MDSKS□□ 071-03 170 |
| 390 | 47 | 2.1 | 72.452 | 555 | 9323 | 733 | 9324 | 869 | 47 | 6.89E-04 | GFL07 - 3S □□□ 071C03 MDSKS□□ 071-03 170 |
| 440 | 42 | 2.1 | 81.636 | 625 | 9323 | 826 | 9324 | 979 | 42 | 6.88E-04 | GFL07 - 3S □□□ 071C03 MDSKS□□ 071-03 170 |
| 499 | 37 | 1.8 | 92.413 | 707 | 9323 | 935 | 9324 | 961 | 37 | 6.61E-04 | GFL07 - 3S □□□ 071C03 MDSKS□□ 071-03 170 |
| 562 | 33 | 1.8 | 104.127 | 797 | 9323 | 1054 | 9324 | 1082 | 33 | 6.60E-04 | GFL07 - 3S □□□ 071C03 MDSKS□□ 071-03 170 |
| 613 | 30 | 1.6 | 113.206 | 867 | 9323 | 1146 | 9324 | 1040 | 30 | 6.45E-04 | GFL07 - 3S □□□ 071C03 MDSKS□□ 071-03 170 |

Observe the notes for thermal dimensioning.

Selection tables - Shaft-mounted helical gearboxes

Naturally ventilated synchronous geared servo motors



| M ₂ [Nm] | n _{2 trans} [rpm] | c | i | M _{2 max} short-time on geared motor at | | | | M _{2 Gr} gearbox c=1 n ₁ ≤ 1400 rpm [Nm] | n _{2 therm} [rpm] | J _{GM} referred to motor shaft [kgm ²] | Servo shaft-mounted helical geared motor Dimensions on Page 4-82 |
|------------------------|-------------------------------|-----|---------|---|-------------|----------------------------|-------------|--|-------------------------------|---|---|
| | | | | 8 kHz | | 16 kHz | | | | | |
| | | | | M _{2 max} [Nm] | Type EVS | M _{2 max} [Nm] | Type EVS | | | | |
| 690 | 27 | 1.6 | 127.556 | 976 | 9323 | 1291 | 9324 | 1171 | 27 | 6.44E-04 | GFL07 - 3S □□□ 071C03 MDSKS□□ 071-03 170 |
| 800 | 23 | 1.4 | 147.347 | 1128 | 9323 | 1491 | 9324 | 1140 | 23 | 6.27E-04 | GFL07 - 3S □□□ 071C03 MDSKS□□ 071-03 170 |
| 901 | 20 | 1.3 | 166.025 | 1271 | 9323 | 1680 | 9324 | 1248 | 20 | 6.27E-04 | GFL07 - 3S □□□ 071C03 MDSKS□□ 071-03 170 |
| 996 | 19 | 1.2 | 183.285 | 1403 | 9323 | 1853 | 9324 | 1236 | 19 | 6.19E-04 | GFL07 - 3S □□□ 071C03 MDSKS□□ 071-03 170 |
| 1124 | 16 | 1.1 | 206.519 | 1581 | 9323 | 1872 | 9324 | 1248 | 16 | 6.19E-04 | GFL07 - 3S □□□ 071C03 MDSKS□□ 071-03 170 |
| 1223 | 15 | 1.1 | 224.636 | 1720 | 9323 | 2015 | 9324 | 1343 | 15 | 6.18E-04 | GFL07 - 3S □□□ 071C03 MDSKS□□ 071-03 170 |
| 515 | 57 | 1.6 | 65.306 | 777 | 9324 | 1072 | 9325 | 883 | 57 | 8.79E-04 | GFL07 - 3S □□□ 071C13 MDSKS□□ 071-13 185 |
| 572 | 51 | 1.4 | 72.452 | 862 | 9324 | 1189 | 9325 | 869 | 51 | 8.89E-04 | GFL07 - 3S □□□ 071C13 MDSKS□□ 071-13 185 |
| 645 | 45 | 1.4 | 81.636 | 971 | 9324 | 1340 | 9325 | 979 | 45 | 8.88E-04 | GFL07 - 3S □□□ 071C13 MDSKS□□ 071-13 185 |
| 731 | 40 | 1.2 | 92.413 | 1100 | 9324 | 1441 | 9325 | 961 | 40 | 8.61E-04 | GFL07 - 3S □□□ 071C13 MDSKS□□ 071-13 185 |
| 824 | 36 | 1.2 | 104.127 | 1239 | 9324 | 1624 | 9325 | 1082 | 36 | 8.60E-04 | GFL07 - 3S □□□ 071C13 MDSKS□□ 071-13 185 |
| 897 | 33 | 1.1 | 113.206 | 1347 | 9324 | 1559 | 9325 | 1040 | 33 | 8.45E-04 | GFL07 - 3S □□□ 071C13 MDSKS□□ 071-13 185 |
| 1011 | 29 | 1.1 | 127.556 | 1518 | 9324 | 1757 | 9325 | 1171 | 29 | 8.44E-04 | GFL07 - 3S □□□ 071C13 MDSKS□□ 071-13 185 |
| 767 | 55 | 1.1 | 65.306 | 1324 | 9325 | 1121 | 9325 | 883 | 55 | 1.08E-03 | GFL07 - 3S □□□ 071C33 MDSKS□□ 071-33 180 |
| 383 | 26 | 4.8 | 148.815 | 659 | 9322 | 762 | 9323 | 2053 | 26 | 2.17E-04 | GFL09 - 3S □□□ 056C23 MDSKS□□ 056-23 190 |
| 431 | 23 | 4.8 | 167.712 | 742 | 9322 | 859 | 9323 | 2314 | 23 | 2.16E-04 | GFL09 - 3S □□□ 056C23 MDSKS□□ 056-23 190 |
| 479 | 21 | 4.2 | 185.111 | 819 | 9322 | 948 | 9323 | 2232 | 21 | 1.95E-04 | GFL09 - 3S □□□ 056C23 MDSKS□□ 056-23 190 |
| 540 | 18 | 4.2 | 208.617 | 923 | 9322 | 1069 | 9323 | 2515 | 18 | 1.94E-04 | GFL09 - 3S □□□ 056C23 MDSKS□□ 056-23 190 |
| 584 | 17 | 3.7 | 224.778 | 995 | 9322 | 1151 | 9323 | 2407 | 17 | 1.91E-04 | GFL09 - 3S □□□ 056C23 MDSKS□□ 056-23 190 |
| 659 | 15 | 3.7 | 253.321 | 1121 | 9322 | 1298 | 9323 | 2712 | 15 | 1.90E-04 | GFL09 - 3S □□□ 056C23 MDSKS□□ 056-23 190 |
| 761 | 13 | 3.1 | 290.889 | 1287 | 9322 | 1490 | 9323 | 2640 | 13 | 1.71E-04 | GFL09 - 3S □□□ 056C23 MDSKS□□ 056-23 190 |
| 858 | 12 | 3.1 | 327.827 | 1451 | 9322 | 1679 | 9323 | 2976 | 12 | 1.71E-04 | GFL09 - 3S □□□ 056C23 MDSKS□□ 056-23 190 |
| 927 | 11 | 2.8 | 353.033 | 1562 | 9322 | 1808 | 9323 | 2813 | 11 | 1.63E-04 | GFL09 - 3S □□□ 056C23 MDSKS□□ 056-23 190 |
| 1045 | 9.6 | 2.8 | 397.863 | 1760 | 9322 | 2038 | 9323 | 3170 | 9.6 | 1.62E-04 | GFL09 - 3S □□□ 056C23 MDSKS□□ 056-23 190 |
| 1121 | 9.0 | 2.2 | 424.247 | 1877 | 9322 | 2173 | 9323 | 2724 | 9.0 | 1.69E-04 | GFL09 - 3S □□□ 056C23 MDSKS□□ 056-23 190 |
| 1366 | 7.4 | 1.8 | 514.881 | 2278 | 9322 | 2637 | 9323 | 2724 | 7.4 | 1.61E-04 | GFL09 - 3S □□□ 056C23 MDSKS□□ 056-23 190 |
| 1479 | 6.9 | 1.3 | 554.470 | 2453 | 9322 | 2840 | 9323 | 2113 | 6.9 | 1.60E-04 | GFL09 - 3S □□□ 056C23 MDSKS□□ 056-23 190 |
| 1668 | 6.1 | 1.3 | 624.879 | 2765 | 9322 | 3201 | 9323 | 2273 | 6.1 | 1.60E-04 | GFL09 - 3S □□□ 056C23 MDSKS□□ 056-23 190 |
| 1875 | 5.4 | 1.0 | 700.875 | 3101 | 9322 | 3169 | 9323 | 2113 | 5.4 | 1.53E-04 | GFL09 - 3S □□□ 056C23 MDSKS□□ 056-23 190 |
| 246 | 63 | 4.1 | 63.326 | 416 | 9323 | 542 | 9324 | 1272 | 63 | 4.34E-04 | GFL09 - 3S □□□ 056C33 MDSKS□□ 056-33 200 |
| 362 | 43 | 4.1 | 93.333 | 614 | 9323 | 799 | 9324 | 1692 | 43 | 3.68E-04 | GFL09 - 3S □□□ 056C33 MDSKS□□ 056-33 200 |
| 408 | 38 | 4.1 | 105.185 | 692 | 9323 | 901 | 9324 | 1907 | 38 | 3.65E-04 | GFL09 - 3S □□□ 056C33 MDSKS□□ 056-33 200 |
| 584 | 27 | 3.1 | 148.815 | 979 | 9323 | 1274 | 9324 | 2053 | 27 | 2.77E-04 | GFL09 - 3S □□□ 056C33 MDSKS□□ 056-33 200 |
| 658 | 24 | 3.1 | 167.712 | 1103 | 9323 | 1436 | 9324 | 2314 | 24 | 2.76E-04 | GFL09 - 3S □□□ 056C33 MDSKS□□ 056-33 200 |

Observe the notes for thermal dimensioning.

Selection tables - Shaft-mounted helical gearboxes

Naturally ventilated synchronous geared servo motors

| M ₂ [Nm] | n ₂ trans [rpm] | c | i | M ₂ max short-time on geared motor at | | | | M ₂ Gr gearbox c=1 n ₁ ≤ 1400 rpm [Nm] | n ₂ therm [rpm] | J _{GM} referred to motor shaft [kgm ²] | Servo shaft-mounted helical geared motor Dimensions on Page 4-82 |
|------------------------|-------------------------------|-----|---------|---|-------------|----------------------------|-------------|--|-------------------------------|---|---|
| | | | | 8 kHz | | 16 kHz | | | | | |
| | | | | M ₂ max [Nm] | Type EVS | M ₂ max [Nm] | Type EVS | | | | |
| 730 | 22 | 2.7 | 185.111 | 1217 | 9323 | 1585 | 9324 | 2232 | 22 | 2.55E-04 | GFLO9 - 3S □□□ 056C33 MDSKS□□ 056-33 200 |
| 822 | 19 | 2.7 | 208.617 | 1372 | 9323 | 1786 | 9324 | 2515 | 19 | 2.54E-04 | GFLO9 - 3S □□□ 056C33 MDSKS□□ 056-33 200 |
| 889 | 18 | 2.4 | 224.778 | 1478 | 9323 | 1925 | 9324 | 2407 | 18 | 2.51E-04 | GFLO9 - 3S □□□ 056C33 MDSKS□□ 056-33 200 |
| 1002 | 16 | 2.4 | 253.321 | 1666 | 9323 | 2169 | 9324 | 2712 | 16 | 2.50E-04 | GFLO9 - 3S □□□ 056C33 MDSKS□□ 056-33 200 |
| 1155 | 14 | 2.1 | 290.889 | 1913 | 9323 | 2491 | 9324 | 2640 | 14 | 2.31E-04 | GFLO9 - 3S □□□ 056C33 MDSKS□□ 056-33 200 |
| 1301 | 12 | 2.1 | 327.827 | 2156 | 9323 | 2807 | 9324 | 2976 | 12 | 2.31E-04 | GFLO9 - 3S □□□ 056C33 MDSKS□□ 056-33 200 |
| 1405 | 11 | 1.8 | 353.033 | 2321 | 9323 | 3023 | 9324 | 2813 | 11 | 2.23E-04 | GFLO9 - 3S □□□ 056C33 MDSKS□□ 056-33 200 |
| 1584 | 10 | 1.8 | 397.863 | 2616 | 9323 | 3407 | 9324 | 3170 | 10 | 2.22E-04 | GFLO9 - 3S □□□ 056C33 MDSKS□□ 056-33 200 |
| 1695 | 9.4 | 1.5 | 424.247 | 2789 | 9323 | 3633 | 9324 | 2724 | 9.4 | 2.29E-04 | GFLO9 - 3S □□□ 056C33 MDSKS□□ 056-33 200 |
| 2062 | 7.8 | 1.2 | 514.881 | 3385 | 9323 | 4086 | 9324 | 2724 | 7.8 | 2.21E-04 | GFLO9 - 3S □□□ 056C33 MDSKS□□ 056-33 200 |
| 335 | 54 | 3.8 | 63.326 | 485 | 9323 | 641 | 9324 | 1510 | 54 | 8.34E-04 | GFLO9 - 3S □□□ 071C03 MDSKS□□ 071-03 170 |
| 388 | 46 | 3.7 | 73.173 | 560 | 9323 | 741 | 9324 | 1517 | 46 | 8.47E-04 | GFLO9 - 3S □□□ 071C03 MDSKS□□ 071-03 170 |
| 437 | 41 | 3.7 | 82.465 | 631 | 9323 | 835 | 9324 | 1710 | 41 | 8.43E-04 | GFLO9 - 3S □□□ 071C03 MDSKS□□ 071-03 170 |
| 497 | 36 | 3.2 | 93.333 | 715 | 9323 | 945 | 9324 | 1692 | 36 | 7.68E-04 | GFLO9 - 3S □□□ 071C03 MDSKS□□ 071-03 170 |
| 560 | 32 | 3.2 | 105.185 | 805 | 9323 | 1065 | 9324 | 1907 | 32 | 7.65E-04 | GFLO9 - 3S □□□ 071C03 MDSKS□□ 071-03 170 |
| 611 | 30 | 2.8 | 114.333 | 875 | 9323 | 1157 | 9324 | 1847 | 30 | 7.23E-04 | GFLO9 - 3S □□□ 071C03 MDSKS□□ 071-03 170 |
| 688 | 26 | 2.8 | 128.852 | 986 | 9323 | 1304 | 9324 | 2082 | 26 | 7.21E-04 | GFLO9 - 3S □□□ 071C03 MDSKS□□ 071-03 170 |
| 799 | 23 | 2.4 | 148.815 | 1139 | 9323 | 1506 | 9324 | 2053 | 23 | 6.77E-04 | GFLO9 - 3S □□□ 071C03 MDSKS□□ 071-03 170 |
| 900 | 20 | 2.4 | 167.712 | 1284 | 9323 | 1697 | 9324 | 2314 | 20 | 6.76E-04 | GFLO9 - 3S □□□ 071C03 MDSKS□□ 071-03 170 |
| 997 | 18 | 2.1 | 185.111 | 1417 | 9323 | 1873 | 9324 | 2232 | 18 | 6.55E-04 | GFLO9 - 3S □□□ 071C03 MDSKS□□ 071-03 170 |
| 1123 | 16 | 2.1 | 208.617 | 1597 | 9323 | 2111 | 9324 | 2515 | 16 | 6.54E-04 | GFLO9 - 3S □□□ 071C03 MDSKS□□ 071-03 170 |
| 1213 | 15 | 1.9 | 224.778 | 1721 | 9323 | 2275 | 9324 | 2407 | 15 | 6.51E-04 | GFLO9 - 3S □□□ 071C03 MDSKS□□ 071-03 170 |
| 1367 | 13 | 1.9 | 253.321 | 1939 | 9323 | 2564 | 9324 | 2712 | 13 | 6.50E-04 | GFLO9 - 3S □□□ 071C03 MDSKS□□ 071-03 170 |
| 1575 | 12 | 1.6 | 290.889 | 2227 | 9323 | 2944 | 9324 | 2640 | 12 | 6.31E-04 | GFLO9 - 3S □□□ 071C03 MDSKS□□ 071-03 170 |
| 1775 | 10 | 1.6 | 327.827 | 2510 | 9323 | 3318 | 9324 | 2976 | 10 | 6.31E-04 | GFLO9 - 3S □□□ 071C03 MDSKS□□ 071-03 170 |
| 1915 | 9.6 | 1.4 | 353.033 | 2702 | 9323 | 3573 | 9324 | 2813 | 9.6 | 6.23E-04 | GFLO9 - 3S □□□ 071C03 MDSKS□□ 071-03 170 |
| 2158 | 8.6 | 1.4 | 397.863 | 3046 | 9323 | 4027 | 9324 | 3170 | 8.6 | 6.22E-04 | GFLO9 - 3S □□□ 071C03 MDSKS□□ 071-03 170 |
| 2308 | 8.0 | 1.1 | 424.247 | 3248 | 9323 | 4086 | 9324 | 2724 | 8.0 | 6.29E-04 | GFLO9 - 3S □□□ 071C03 MDSKS□□ 071-03 170 |
| 494 | 58 | 2.5 | 63.326 | 754 | 9324 | 1039 | 9325 | 1510 | 58 | 1.03E-03 | GFLO9 - 3S □□□ 071C13 MDSKS□□ 071-13 185 |
| 572 | 51 | 2.4 | 73.173 | 871 | 9324 | 1201 | 9325 | 1517 | 51 | 1.05E-03 | GFLO9 - 3S □□□ 071C13 MDSKS□□ 071-13 185 |
| 644 | 45 | 2.4 | 82.465 | 981 | 9324 | 1353 | 9325 | 1710 | 45 | 1.04E-03 | GFLO9 - 3S □□□ 071C13 MDSKS□□ 071-13 185 |
| 732 | 40 | 2.1 | 93.333 | 1111 | 9324 | 1532 | 9325 | 1692 | 40 | 9.68E-04 | GFLO9 - 3S □□□ 071C13 MDSKS□□ 071-13 185 |
| 824 | 35 | 2.1 | 105.185 | 1252 | 9324 | 1726 | 9325 | 1907 | 35 | 9.65E-04 | GFLO9 - 3S □□□ 071C13 MDSKS□□ 071-13 185 |
| 898 | 32 | 1.9 | 114.333 | 1360 | 9324 | 1876 | 9325 | 1847 | 32 | 9.23E-04 | GFLO9 - 3S □□□ 071C13 MDSKS□□ 071-13 185 |

Observe the notes for thermal dimensioning.

Selection tables - Shaft-mounted helical gearboxes

Naturally ventilated synchronous geared servo motors



| M ₂ [Nm] | n _{2 trans} [rpm] | c | i | M _{2 max} short-time on geared motor at | | | | M _{2 Gr} gearbox c=1 n ₁ ≤ 1400 rpm [Nm] | n _{2 therm} [rpm] | J _{GM} referred to motor shaft [kgm ²] | Servo shaft-mounted helical geared motor Dimensions on Page 4-82 |
|------------------------|-------------------------------|-----|---------|--|-------------|----------------------------|-------------|---|-------------------------------|--|---|
| | | | | 8 kHz | | 16 kHz | | | | | |
| | | | | M _{2 max} [Nm] | Type EVS | M _{2 max} [Nm] | Type EVS | | | | |
| 1012 | 29 | 1.9 | 128.852 | 1533 | 9324 | 2114 | 9325 | 2082 | 29 | 9.21E-04 | GFL09 - 3S □□□ 071C13 MDSKS□□ 071-13 185 |
| 1173 | 25 | 1.6 | 148.815 | 1771 | 9324 | 2442 | 9325 | 2053 | 25 | 8.77E-04 | GFL09 - 3S □□□ 071C13 MDSKS□□ 071-13 185 |
| 1322 | 22 | 1.6 | 167.712 | 1996 | 9324 | 2752 | 9325 | 2314 | 22 | 8.76E-04 | GFL09 - 3S □□□ 071C13 MDSKS□□ 071-13 185 |
| 1462 | 20 | 1.4 | 185.111 | 2203 | 9324 | 3038 | 9325 | 2232 | 20 | 8.55E-04 | GFL09 - 3S □□□ 071C13 MDSKS□□ 071-13 185 |
| 1648 | 18 | 1.4 | 208.617 | 2482 | 9324 | 3423 | 9325 | 2515 | 18 | 8.54E-04 | GFL09 - 3S □□□ 071C13 MDSKS□□ 071-13 185 |
| 1778 | 16 | 1.3 | 224.778 | 2674 | 9324 | 3610 | 9325 | 2407 | 16 | 8.51E-04 | GFL09 - 3S □□□ 071C13 MDSKS□□ 071-13 185 |
| 2004 | 15 | 1.3 | 253.321 | 3014 | 9324 | 4068 | 9325 | 2712 | 15 | 8.50E-04 | GFL09 - 3S □□□ 071C13 MDSKS□□ 071-13 185 |
| 2306 | 13 | 1.1 | 290.889 | 3461 | 9324 | 3960 | 9325 | 2640 | 13 | 8.31E-04 | GFL09 - 3S □□□ 071C13 MDSKS□□ 071-13 185 |
| 2599 | 11 | 1.1 | 327.827 | 3901 | 9324 | 4463 | 9325 | 2976 | 11 | 8.31E-04 | GFL09 - 3S □□□ 071C13 MDSKS□□ 071-13 185 |
| 739 | 57 | 1.7 | 63.326 | 1452 | 9325 | 1087 | 9325 | 1510 | 57 | 1.23E-03 | GFL09 - 3S □□□ 071C33 MDSKS□□ 071-33 180 |
| 854 | 49 | 1.7 | 73.173 | 1678 | 9325 | 1256 | 9325 | 1517 | 47 | 1.25E-03 | GFL09 - 3S □□□ 071C33 MDSKS□□ 071-33 180 |
| 963 | 44 | 1.7 | 82.465 | 1891 | 9325 | 1415 | 9325 | 1710 | 42 | 1.24E-03 | GFL09 - 3S □□□ 071C33 MDSKS□□ 071-33 180 |
| 1092 | 39 | 1.5 | 93.333 | 2140 | 9325 | 1602 | 9325 | 1692 | 39 | 1.17E-03 | GFL09 - 3S □□□ 071C33 MDSKS□□ 071-33 180 |
| 1231 | 34 | 1.5 | 105.185 | 2412 | 9325 | 1805 | 9325 | 1907 | 34 | 1.17E-03 | GFL09 - 3S □□□ 071C33 MDSKS□□ 071-33 180 |
| 1340 | 31 | 1.3 | 114.333 | 2621 | 9325 | 1962 | 9325 | 1847 | 31 | 1.12E-03 | GFL09 - 3S □□□ 071C33 MDSKS□□ 071-33 180 |
| 1510 | 28 | 1.3 | 128.852 | 2954 | 9325 | 2212 | 9325 | 2082 | 28 | 1.12E-03 | GFL09 - 3S □□□ 071C33 MDSKS□□ 071-33 180 |
| 1747 | 24 | 1.1 | 148.815 | 3080 | 9325 | 2554 | 9325 | 2053 | 24 | 1.08E-03 | GFL09 - 3S □□□ 071C33 MDSKS□□ 071-33 180 |
| 1969 | 21 | 1.1 | 167.712 | 3471 | 9325 | 2879 | 9325 | 2314 | 21 | 1.08E-03 | GFL09 - 3S □□□ 071C33 MDSKS□□ 071-33 180 |
| 925 | 11 | 4.3 | 358.077 | 1584 | 9322 | 1834 | 9323 | 4423 | 11 | 2.08E-04 | GFL11 - 3S □□□ 056C23 MDSKS□□ 056-23 190 |
| 1043 | 9.4 | 4.3 | 403.467 | 1785 | 9322 | 2067 | 9323 | 4984 | 9.4 | 2.07E-04 | GFL11 - 3S □□□ 056C23 MDSKS□□ 056-23 190 |
| 1106 | 8.8 | 4.8 | 430.222 | 1904 | 9322 | 2204 | 9323 | 5942 | 8.8 | 2.25E-04 | GFL11 - 3S □□□ 056C23 MDSKS□□ 056-23 190 |
| 1354 | 7.3 | 3.9 | 522.133 | 2310 | 9322 | 2675 | 9323 | 5942 | 7.3 | 2.02E-04 | GFL11 - 3S □□□ 056C23 MDSKS□□ 056-23 190 |
| 1469 | 6.8 | 3.3 | 562.391 | 2488 | 9322 | 2881 | 9323 | 5319 | 6.8 | 2.00E-04 | GFL11 - 3S □□□ 056C23 MDSKS□□ 056-23 190 |
| 1657 | 6.0 | 3.2 | 633.680 | 2804 | 9322 | 3246 | 9323 | 5844 | 6.0 | 2.00E-04 | GFL11 - 3S □□□ 056C23 MDSKS□□ 056-23 190 |
| 1871 | 5.4 | 2.6 | 710.888 | 3146 | 9322 | 3642 | 9323 | 5319 | 5.4 | 1.79E-04 | GFL11 - 3S □□□ 056C23 MDSKS□□ 056-23 190 |
| 2109 | 4.7 | 2.5 | 801.000 | 3544 | 9322 | 4103 | 9323 | 5844 | 4.7 | 1.78E-04 | GFL11 - 3S □□□ 056C23 MDSKS□□ 056-23 190 |
| 1410 | 11 | 2.8 | 358.077 | 2354 | 9323 | 3066 | 9324 | 4423 | 11 | 2.68E-04 | GFL11 - 3S □□□ 056C33 MDSKS□□ 056-33 200 |
| 1589 | 9.9 | 2.8 | 403.467 | 2653 | 9323 | 3455 | 9324 | 4984 | 9.9 | 2.67E-04 | GFL11 - 3S □□□ 056C33 MDSKS□□ 056-33 200 |
| 1688 | 9.3 | 3.1 | 430.222 | 2829 | 9323 | 3684 | 9324 | 5942 | 9.3 | 2.85E-04 | GFL11 - 3S □□□ 056C33 MDSKS□□ 056-33 200 |
| 2061 | 7.7 | 2.6 | 522.133 | 3433 | 9323 | 4471 | 9324 | 5942 | 7.7 | 2.62E-04 | GFL11 - 3S □□□ 056C33 MDSKS□□ 056-33 200 |
| 2230 | 7.1 | 2.1 | 562.391 | 3698 | 9323 | 4816 | 9324 | 5319 | 7.1 | 2.60E-04 | GFL11 - 3S □□□ 056C33 MDSKS□□ 056-33 200 |
| 2515 | 6.3 | 2.1 | 633.680 | 4167 | 9323 | 5426 | 9324 | 5844 | 6.3 | 2.60E-04 | GFL11 - 3S □□□ 056C33 MDSKS□□ 056-33 200 |
| 2833 | 5.6 | 1.7 | 710.888 | 4674 | 9323 | 6087 | 9324 | 5319 | 5.6 | 2.39E-04 | GFL11 - 3S □□□ 056C33 MDSKS□□ 056-33 200 |
| 3193 | 5.0 | 1.7 | 801.000 | 5267 | 9323 | 6859 | 9324 | 5844 | 5.0 | 2.38E-04 | GFL11 - 3S □□□ 056C33 MDSKS□□ 056-33 200 |

Observe the notes for thermal dimensioning.

Selection tables - Shaft-mounted helical gearboxes

Naturally ventilated synchronous geared servo motors

| M ₂ [Nm] | n ₂ trans [rpm] | c | i | M ₂ max short-time on geared motor at | | | | M ₂ Gr gearbox c=1 n ₁ ≤ 1400 rpm [Nm] | n ₂ therm [rpm] | J _{GM} referred to motor shaft [kgm ²] | Servo shaft-mounted helical geared motor Dimensions on Page 4-82 |
|------------------------|-------------------------------|-----|---------|---|-------------|----------------------------|-------------|--|-------------------------------|---|---|
| | | | | 8 kHz | | 16 kHz | | | | | |
| | | | | M ₂ max [Nm] | Type EVS | M ₂ max [Nm] | Type EVS | | | | |
| 782 | 23 | 4.6 | 149.144 | 1142 | 9323 | 1509 | 9324 | 3894 | 23 | 8.30E-04 | GFL11 - 3S □□□ 071C03 MDSKS□□ 071-03 170 |
| 881 | 20 | 4.6 | 168.049 | 1286 | 9323 | 1701 | 9324 | 4387 | 20 | 8.27E-04 | GFL11 - 3S □□□ 071C03 MDSKS□□ 071-03 170 |
| 964 | 19 | 4.1 | 182.792 | 1399 | 9323 | 1850 | 9324 | 4233 | 19 | 7.66E-04 | GFL11 - 3S □□□ 071C03 MDSKS□□ 071-03 170 |
| 1086 | 17 | 4.1 | 205.963 | 1577 | 9323 | 2085 | 9324 | 4769 | 17 | 7.64E-04 | GFL11 - 3S □□□ 071C03 MDSKS□□ 071-03 170 |
| 1191 | 15 | 3.5 | 224.636 | 1720 | 9323 | 2273 | 9324 | 4523 | 15 | 7.52E-04 | GFL11 - 3S □□□ 071C03 MDSKS□□ 071-03 170 |
| 1342 | 13 | 3.5 | 253.111 | 1938 | 9323 | 2562 | 9324 | 5097 | 13 | 7.50E-04 | GFL11 - 3S □□□ 071C03 MDSKS□□ 071-03 170 |
| 1420 | 13 | 3.4 | 267.259 | 2046 | 9323 | 2705 | 9324 | 5106 | 13 | 7.87E-04 | GFL11 - 3S □□□ 071C03 MDSKS□□ 071-03 170 |
| 1748 | 10 | 3.0 | 327.556 | 2507 | 9323 | 3315 | 9324 | 5523 | 10 | 7.37E-04 | GFL11 - 3S □□□ 071C03 MDSKS□□ 071-03 170 |
| 1918 | 9.5 | 2.6 | 358.077 | 2741 | 9323 | 3624 | 9324 | 5283 | 9.5 | 6.68E-04 | GFL11 - 3S □□□ 071C03 MDSKS□□ 071-03 170 |
| 2161 | 8.4 | 2.6 | 403.467 | 3089 | 9323 | 4083 | 9324 | 5952 | 8.4 | 6.67E-04 | GFL11 - 3S □□□ 071C03 MDSKS□□ 071-03 170 |
| 2308 | 7.9 | 2.4 | 430.222 | 3293 | 9323 | 4354 | 9324 | 5942 | 7.9 | 6.85E-04 | GFL11 - 3S □□□ 071C03 MDSKS□□ 071-03 170 |
| 2814 | 6.5 | 2.0 | 522.133 | 3997 | 9323 | 5284 | 9324 | 5942 | 6.5 | 6.62E-04 | GFL11 - 3S □□□ 071C03 MDSKS□□ 071-03 170 |
| 3042 | 6.1 | 1.7 | 562.391 | 4305 | 9323 | 5692 | 9324 | 5319 | 6.1 | 6.60E-04 | GFL11 - 3S □□□ 071C03 MDSKS□□ 071-03 170 |
| 3429 | 5.4 | 1.6 | 633.680 | 4851 | 9323 | 6413 | 9324 | 5844 | 5.4 | 6.60E-04 | GFL11 - 3S □□□ 071C03 MDSKS□□ 071-03 170 |
| 3860 | 4.8 | 1.3 | 710.888 | 5442 | 9323 | 7195 | 9324 | 5319 | 4.8 | 6.39E-04 | GFL11 - 3S □□□ 071C03 MDSKS□□ 071-03 170 |
| 4350 | 4.2 | 1.3 | 801.000 | 6132 | 9323 | 8107 | 9324 | 5844 | 4.2 | 6.38E-04 | GFL11 - 3S □□□ 071C03 MDSKS□□ 071-03 170 |
| 498 | 57 | 4.7 | 65.306 | 777 | 9324 | 1072 | 9325 | 2626 | 57 | 1.50E-03 | GFL11 - 3S □□□ 071C13 MDSKS□□ 071-13 185 |
| 718 | 40 | 4.0 | 93.540 | 1113 | 9324 | 1535 | 9325 | 3206 | 40 | 1.30E-03 | GFL11 - 3S □□□ 071C13 MDSKS□□ 071-13 185 |
| 810 | 35 | 4.0 | 105.397 | 1254 | 9324 | 1729 | 9325 | 3613 | 35 | 1.30E-03 | GFL11 - 3S □□□ 071C13 MDSKS□□ 071-13 185 |
| 1157 | 25 | 3.1 | 149.144 | 1775 | 9324 | 2447 | 9325 | 3894 | 25 | 1.03E-03 | GFL11 - 3S □□□ 071C13 MDSKS□□ 071-13 185 |
| 1304 | 22 | 3.1 | 168.049 | 2000 | 9324 | 2758 | 9325 | 4387 | 22 | 1.03E-03 | GFL11 - 3S □□□ 071C13 MDSKS□□ 071-13 185 |
| 1424 | 20 | 2.7 | 182.792 | 2175 | 9324 | 2999 | 9325 | 4233 | 20 | 9.66E-04 | GFL11 - 3S □□□ 071C13 MDSKS□□ 071-13 185 |
| 1604 | 18 | 2.7 | 205.963 | 2451 | 9324 | 3380 | 9325 | 4769 | 18 | 9.64E-04 | GFL11 - 3S □□□ 071C13 MDSKS□□ 071-13 185 |
| 1756 | 16 | 2.4 | 224.636 | 2673 | 9324 | 3686 | 9325 | 4523 | 16 | 9.52E-04 | GFL11 - 3S □□□ 071C13 MDSKS□□ 071-13 185 |
| 1979 | 15 | 2.4 | 253.111 | 3012 | 9324 | 4153 | 9325 | 5097 | 15 | 9.50E-04 | GFL11 - 3S □□□ 071C13 MDSKS□□ 071-13 185 |
| 2092 | 14 | 2.2 | 267.259 | 3180 | 9324 | 4385 | 9325 | 5106 | 14 | 9.87E-04 | GFL11 - 3S □□□ 071C13 MDSKS□□ 071-13 185 |
| 2571 | 11 | 2.0 | 327.556 | 3897 | 9324 | 5375 | 9325 | 5523 | 11 | 9.37E-04 | GFL11 - 3S □□□ 071C13 MDSKS□□ 071-13 185 |
| 2818 | 10 | 1.7 | 358.077 | 4260 | 9324 | 5876 | 9325 | 5283 | 10 | 8.68E-04 | GFL11 - 3S □□□ 071C13 MDSKS□□ 071-13 185 |
| 3176 | 9.2 | 1.7 | 403.467 | 4801 | 9324 | 6620 | 9325 | 5952 | 9.2 | 8.67E-04 | GFL11 - 3S □□□ 071C13 MDSKS□□ 071-13 185 |
| 3390 | 8.6 | 1.6 | 430.222 | 5119 | 9324 | 7060 | 9325 | 5942 | 8.6 | 8.85E-04 | GFL11 - 3S □□□ 071C13 MDSKS□□ 071-13 185 |
| 4127 | 7.1 | 1.3 | 522.133 | 6212 | 9324 | 8568 | 9325 | 5942 | 7.1 | 8.62E-04 | GFL11 - 3S □□□ 071C13 MDSKS□□ 071-13 185 |
| 4456 | 6.6 | 1.1 | 562.391 | 6691 | 9324 | 7979 | 9325 | 5319 | 6.6 | 8.60E-04 | GFL11 - 3S □□□ 071C13 MDSKS□□ 071-13 185 |
| 5022 | 5.8 | 1.1 | 633.680 | 7540 | 9324 | 8766 | 9325 | 5844 | 5.8 | 8.60E-04 | GFL11 - 3S □□□ 071C13 MDSKS□□ 071-13 185 |
| 750 | 55 | 3.2 | 65.306 | 1497 | 9325 | 1121 | 9325 | 2626 | 55 | 1.70E-03 | GFL11 - 3S □□□ 071C33 MDSKS□□ 071-33 180 |

Observe the notes for thermal dimensioning.

Selection tables - Shaft-mounted helical gearboxes

Naturally ventilated synchronous geared servo motors



| M ₂ [Nm] | n ₂ trans [rpm] | c | i | M ₂ max short-time on geared motor at | | | | M ₂ Gr gearbox c=1 n ₁ ≤ 1400 rpm [Nm] | n ₂ therm [rpm] | J _{GM} referred to motor shaft [kgm ²] | Servo shaft-mounted helical geared motor Dimensions on Page 4-82 |
|------------------------|-------------------------------|-----|---------|---|-------------|----------------------------|-------------|--|-------------------------------|---|---|
| | | | | 8 kHz | | 16 kHz | | | | | |
| | | | | M ₂ max [Nm] | Type EVS | M ₂ max [Nm] | Type EVS | | | | |
| 1079 | 38 | 2.7 | 93.540 | 2145 | 9325 | 1606 | 9325 | 3206 | 38 | 1.50E-03 | GFL11 - 3S □□□ 071C33 MDSKS□□ 071-33 180 |
| 1216 | 34 | 2.7 | 105.397 | 2416 | 9325 | 1809 | 9325 | 3613 | 34 | 1.50E-03 | GFL11 - 3S □□□ 071C33 MDSKS□□ 071-33 180 |
| 1733 | 24 | 2.1 | 149.144 | 3419 | 9325 | 2560 | 9325 | 3894 | 24 | 1.23E-03 | GFL11 - 3S □□□ 071C33 MDSKS□□ 071-33 180 |
| 1953 | 21 | 2.1 | 168.049 | 3853 | 9325 | 2884 | 9325 | 4387 | 21 | 1.23E-03 | GFL11 - 3S □□□ 071C33 MDSKS□□ 071-33 180 |
| 2129 | 20 | 1.9 | 182.792 | 4191 | 9325 | 3137 | 9325 | 4233 | 20 | 1.17E-03 | GFL11 - 3S □□□ 071C33 MDSKS□□ 071-33 180 |
| 2399 | 17 | 1.9 | 205.963 | 4722 | 9325 | 3535 | 9325 | 4769 | 17 | 1.16E-03 | GFL11 - 3S □□□ 071C33 MDSKS□□ 071-33 180 |
| 2624 | 16 | 1.6 | 224.636 | 5150 | 9325 | 3856 | 9325 | 4523 | 16 | 1.15E-03 | GFL11 - 3S □□□ 071C33 MDSKS□□ 071-33 180 |
| 2956 | 14 | 1.6 | 253.111 | 5803 | 9325 | 4344 | 9325 | 5097 | 14 | 1.15E-03 | GFL11 - 3S □□□ 071C33 MDSKS□□ 071-33 180 |
| 3124 | 13 | 1.5 | 267.259 | 6127 | 9325 | 4587 | 9325 | 5106 | 13 | 1.19E-03 | GFL11 - 3S □□□ 071C33 MDSKS□□ 071-33 180 |
| 3836 | 11 | 1.4 | 327.556 | 7510 | 9325 | 5622 | 9325 | 5523 | 11 | 1.14E-03 | GFL11 - 3S □□□ 071C33 MDSKS□□ 071-33 180 |
| 4201 | 10 | 1.2 | 358.077 | 7924 | 9325 | 6146 | 9325 | 5283 | 10 | 1.07E-03 | GFL11 - 3S □□□ 071C33 MDSKS□□ 071-33 180 |
| 4734 | 8.9 | 1.2 | 403.467 | 8928 | 9325 | 6925 | 9325 | 5952 | 8.9 | 1.07E-03 | GFL11 - 3S □□□ 071C33 MDSKS□□ 071-33 180 |
| 5052 | 8.4 | 1.1 | 430.222 | 8913 | 9325 | 7384 | 9325 | 5942 | 8.4 | 1.09E-03 | GFL11 - 3S □□□ 071C33 MDSKS□□ 071-33 180 |

Observe the notes for thermal dimensioning.

Selection tables - Shaft-mounted helical gearboxes

Forced ventilated synchronous geared servo motors

| M ₂ [Nm] | n _{2 trans} [rpm] | c | i | M _{2 max} short-time on geared motor at | | | | M _{2 Gr} gearbox c=1 n ₁ ≤ 1400 rpm [Nm] | n _{2 therm} [rpm] | J _{GGM} referred to motor shaft [kgm ²] | Servo shaft-mounted helical geared motor Dimensions on Page 4-82 |
|------------------------|-------------------------------|-----|--------|---|-------------|----------------------------|-------------|--|-------------------------------|--|---|
| | | | | 8 kHz | | 16 kHz | | | | | |
| | | | | M _{2 max} [Nm] | Type EVS | M _{2 max} [Nm] | Type EVS | | | | |
| 26 | 902 | 3.1 | 3.659 | 49 | 9324 | 38 | 9324 | 109 | 902 | 7.51E-04 | GFLO4 - 2S □□□ 071C03 MDFKS□□ 071-03 165 |
| 36 | 658 | 2.3 | 5.018 | 67 | 9324 | 52 | 9324 | 111 | 658 | 6.86E-04 | GFLO4 - 2S □□□ 071C03 MDFKS□□ 071-03 165 |
| 42 | 566 | 2.8 | 5.833 | 77 | 9324 | 60 | 9324 | 153 | 554 | 6.93E-04 | GFLO4 - 2S □□□ 071C03 MDFKS□□ 071-03 165 |
| 46 | 514 | 1.9 | 6.422 | 85 | 9324 | 66 | 9324 | 113 | 514 | 6.56E-04 | GFLO4 - 2S □□□ 071C03 MDFKS□□ 071-03 165 |
| 51 | 470 | 1.7 | 7.025 | 93 | 9324 | 72 | 9324 | 113 | 470 | 6.47E-04 | GFLO4 - 2S □□□ 071C03 MDFKS□□ 071-03 165 |
| 60 | 394 | 2.3 | 8.379 | 111 | 9324 | 86 | 9324 | 179 | 370 | 6.67E-04 | GFLO4 - 2S □□□ 071C03 MDFKS□□ 071-03 165 |
| 67 | 354 | 1.9 | 9.333 | 124 | 9324 | 96 | 9324 | 165 | 313 | 6.61E-04 | GFLO4 - 2S □□□ 071C03 MDFKS□□ 071-03 165 |
| 74 | 322 | 1.6 | 10.238 | 136 | 9324 | 105 | 9324 | 159 | 322 | 6.37E-04 | GFLO4 - 2S □□□ 071C03 MDFKS□□ 071-03 165 |
| 83 | 287 | 1.7 | 11.491 | 153 | 9324 | 118 | 9324 | 181 | 271 | 6.41E-04 | GFLO4 - 2S □□□ 071C03 MDFKS□□ 071-03 165 |
| 93 | 258 | 1.4 | 12.800 | 170 | 9324 | 132 | 9324 | 166 | 223 | 6.38E-04 | GFLO4 - 2S □□□ 071C03 MDFKS□□ 071-03 165 |
| 107 | 224 | 1.3 | 14.706 | 195 | 9324 | 151 | 9324 | 182 | 222 | 6.28E-04 | GFLO4 - 2S □□□ 071C03 MDFKS□□ 071-03 165 |
| 117 | 205 | 1.2 | 16.087 | 214 | 9324 | 165 | 9324 | 182 | 205 | 6.25E-04 | GFLO4 - 2S □□□ 071C03 MDFKS□□ 071-03 165 |
| 39 | 984 | 2.1 | 3.659 | 78 | 9325 | 61 | 9325 | 109 | 833 | 9.51E-04 | GFLO4 - 2S □□□ 071C13 MDFKS□□ 071-13 180 |
| 53 | 717 | 1.6 | 5.018 | 106 | 9325 | 84 | 9325 | 111 | 601 | 8.86E-04 | GFLO4 - 2S □□□ 071C13 MDFKS□□ 071-13 180 |
| 62 | 617 | 1.8 | 5.833 | 124 | 9325 | 97 | 9325 | 153 | 497 | 8.93E-04 | GFLO4 - 2S □□□ 071C13 MDFKS□□ 071-13 180 |
| 68 | 561 | 1.2 | 6.422 | 136 | 9325 | 107 | 9325 | 113 | 493 | 8.56E-04 | GFLO4 - 2S □□□ 071C13 MDFKS□□ 071-13 180 |
| 75 | 512 | 1.1 | 7.025 | 149 | 9325 | 117 | 9325 | 113 | 457 | 8.47E-04 | GFLO4 - 2S □□□ 071C13 MDFKS□□ 071-13 180 |
| 89 | 430 | 1.5 | 8.379 | 177 | 9325 | 140 | 9325 | 179 | 309 | 8.67E-04 | GFLO4 - 2S □□□ 071C13 MDFKS□□ 071-13 180 |
| 99 | 386 | 1.2 | 9.333 | 198 | 9325 | 156 | 9325 | 165 | 253 | 8.61E-04 | GFLO4 - 2S □□□ 071C13 MDFKS□□ 071-13 180 |
| 109 | 352 | 1.1 | 10.238 | 217 | 9325 | 171 | 9325 | 159 | 294 | 8.37E-04 | GFLO4 - 2S □□□ 071C13 MDFKS□□ 071-13 180 |
| 123 | 313 | 1.1 | 11.491 | 243 | 9325 | 191 | 9325 | 181 | 228 | 8.41E-04 | GFLO4 - 2S □□□ 071C13 MDFKS□□ 071-13 180 |
| 57 | 957 | 1.4 | 3.659 | 85 | 9325 | 98 | 9326 | 109 | 693 | 1.15E-03 | GFLO4 - 2S □□□ 071C33 MDFKS□□ 071-33 175 |
| 79 | 697 | 1.1 | 5.018 | 117 | 9325 | 134 | 9326 | 111 | 515 | 1.09E-03 | GFLO4 - 2S □□□ 071C33 MDFKS□□ 071-33 175 |
| 91 | 600 | 1.3 | 5.833 | 136 | 9325 | 156 | 9326 | 153 | 409 | 1.09E-03 | GFLO4 - 2S □□□ 071C33 MDFKS□□ 071-33 175 |
| 132 | 418 | 1.0 | 8.379 | 195 | 9325 | 224 | 9326 | 179 | 259 | 1.07E-03 | GFLO4 - 2S □□□ 071C33 MDFKS□□ 071-33 175 |
| 23 | 990 | 4.4 | 3.333 | 44 | 9324 | 34 | 9324 | 138 | 882 | 7.68E-04 | GFLO5 - 2S □□□ 071C03 MDFKS□□ 071-03 165 |
| 32 | 722 | 3.9 | 4.571 | 61 | 9324 | 47 | 9324 | 170 | 722 | 8.13E-04 | GFLO5 - 2S □□□ 071C03 MDFKS□□ 071-03 165 |
| 36 | 643 | 4.4 | 5.133 | 68 | 9324 | 53 | 9324 | 212 | 573 | 8.37E-04 | GFLO5 - 2S □□□ 071C03 MDFKS□□ 071-03 165 |
| 40 | 582 | 4.3 | 5.667 | 75 | 9324 | 58 | 9324 | 233 | 518 | 8.33E-04 | GFLO5 - 2S □□□ 071C03 MDFKS□□ 071-03 165 |
| 46 | 516 | 2.9 | 6.400 | 85 | 9324 | 66 | 9324 | 173 | 516 | 6.82E-04 | GFLO5 - 2S □□□ 071C03 MDFKS□□ 071-03 165 |
| 50 | 469 | 3.7 | 7.040 | 93 | 9324 | 72 | 9324 | 248 | 469 | 7.47E-04 | GFLO5 - 2S □□□ 071C03 MDFKS□□ 071-03 165 |
| 55 | 425 | 3.5 | 7.771 | 103 | 9324 | 80 | 9324 | 258 | 425 | 7.45E-04 | GFLO5 - 2S □□□ 071C03 MDFKS□□ 071-03 165 |
| 64 | 366 | 3.1 | 9.010 | 120 | 9324 | 93 | 9324 | 266 | 366 | 6.95E-04 | GFLO5 - 2S □□□ 071C03 MDFKS□□ 071-03 165 |
| 71 | 332 | 2.9 | 9.946 | 132 | 9324 | 102 | 9324 | 275 | 332 | 6.89E-04 | GFLO5 - 2S □□□ 071C03 MDFKS□□ 071-03 165 |

Observe the notes for thermal dimensioning.

Selection tables - Shaft-mounted helical gearboxes

Forced ventilated synchronous geared servo motors



| M ₂ [Nm] | n _{2 trans} [rpm] | c | i | M _{2 max} short-time on geared motor at | | | | M _{2 Gr} gearbox c=1 n ₁ ≤ 1400 rpm [Nm] | n _{2 therm} [rpm] | J _{GM} referred to motor shaft [kgm ²] | Servo shaft-mounted helical geared motor Dimensions on Page 4-82 |
|------------------------|-------------------------------|-----|--------|--|-------------|----------------------------|-------------|---|-------------------------------|--|---|
| | | | | 8 kHz | | 16 kHz | | | | | |
| | | | | M _{2 max} [Nm] | Type EVS | M _{2 max} [Nm] | Type EVS | | | | |
| 81 | 290 | 2.6 | 11.360 | 151 | 9324 | 117 | 9324 | 278 | 274 | 7.08E-04 | GFL05 - 2S □□□ 071C03 MDFKS□□ 071-03 165 |
| 92 | 258 | 2.4 | 12.800 | 170 | 9324 | 132 | 9324 | 285 | 238 | 7.01E-04 | GFL05 - 2S □□□ 071C03 MDFKS□□ 071-03 165 |
| 104 | 227 | 2.2 | 14.538 | 193 | 9324 | 149 | 9324 | 301 | 227 | 6.75E-04 | GFL05 - 2S □□□ 071C03 MDFKS□□ 071-03 165 |
| 114 | 207 | 2.1 | 15.904 | 211 | 9324 | 163 | 9324 | 310 | 207 | 6.60E-04 | GFL05 - 2S □□□ 071C03 MDFKS□□ 071-03 165 |
| 129 | 184 | 1.8 | 17.920 | 238 | 9324 | 184 | 9324 | 312 | 182 | 6.61E-04 | GFL05 - 2S □□□ 071C03 MDFKS□□ 071-03 165 |
| 146 | 163 | 1.7 | 20.286 | 269 | 9324 | 208 | 9324 | 333 | 163 | 6.43E-04 | GFL05 - 2S □□□ 071C03 MDFKS□□ 071-03 165 |
| 166 | 144 | 1.4 | 22.857 | 303 | 9324 | 235 | 9324 | 313 | 144 | 6.43E-04 | GFL05 - 2S □□□ 071C03 MDFKS□□ 071-03 165 |
| 180 | 133 | 1.7 | 24.850 | 330 | 9324 | 255 | 9324 | 344 | 133 | 6.35E-04 | GFL05 - 2S □□□ 071C03 MDFKS□□ 071-03 165 |
| 203 | 118 | 1.3 | 28.000 | 372 | 9324 | 288 | 9324 | 314 | 118 | 6.33E-04 | GFL05 - 2S □□□ 071C03 MDFKS□□ 071-03 165 |
| 235 | 102 | 1.3 | 32.344 | 429 | 9324 | 332 | 9324 | 345 | 102 | 6.20E-04 | GFL05 - 2S □□□ 071C03 MDFKS□□ 071-03 165 |
| 265 | 91 | 1.0 | 36.444 | 474 | 9324 | 375 | 9324 | 316 | 91 | 6.20E-04 | GFL05 - 2S □□□ 071C03 MDFKS□□ 071-03 165 |
| 293 | 82 | 1.0 | 40.233 | 518 | 9324 | 413 | 9324 | 345 | 82 | 6.15E-04 | GFL05 - 2S □□□ 071C03 MDFKS□□ 071-03 165 |
| 35 | 1080 | 2.9 | 3.333 | 71 | 9325 | 56 | 9325 | 138 | 812 | 9.68E-04 | GFL05 - 2S □□□ 071C13 MDFKS□□ 071-13 180 |
| 48 | 788 | 2.6 | 4.571 | 97 | 9325 | 76 | 9325 | 170 | 681 | 1.01E-03 | GFL05 - 2S □□□ 071C13 MDFKS□□ 071-13 180 |
| 54 | 701 | 2.9 | 5.133 | 109 | 9325 | 86 | 9325 | 212 | 527 | 1.04E-03 | GFL05 - 2S □□□ 071C13 MDFKS□□ 071-13 180 |
| 59 | 635 | 2.9 | 5.667 | 120 | 9325 | 94 | 9325 | 233 | 477 | 1.03E-03 | GFL05 - 2S □□□ 071C13 MDFKS□□ 071-13 180 |
| 68 | 563 | 1.9 | 6.400 | 136 | 9325 | 107 | 9325 | 173 | 518 | 8.82E-04 | GFL05 - 2S □□□ 071C13 MDFKS□□ 071-13 180 |
| 74 | 511 | 2.5 | 7.040 | 149 | 9325 | 117 | 9325 | 248 | 438 | 9.47E-04 | GFL05 - 2S □□□ 071C13 MDFKS□□ 071-13 180 |
| 82 | 463 | 2.3 | 7.771 | 165 | 9325 | 130 | 9325 | 258 | 392 | 9.45E-04 | GFL05 - 2S □□□ 071C13 MDFKS□□ 071-13 180 |
| 95 | 400 | 2.1 | 9.010 | 191 | 9325 | 150 | 9325 | 266 | 364 | 8.95E-04 | GFL05 - 2S □□□ 071C13 MDFKS□□ 071-13 180 |
| 105 | 362 | 1.9 | 9.946 | 211 | 9325 | 166 | 9325 | 275 | 324 | 8.89E-04 | GFL05 - 2S □□□ 071C13 MDFKS□□ 071-13 180 |
| 120 | 317 | 1.7 | 11.360 | 241 | 9325 | 189 | 9325 | 278 | 239 | 9.08E-04 | GFL05 - 2S □□□ 071C13 MDFKS□□ 071-13 180 |
| 136 | 281 | 1.6 | 12.800 | 271 | 9325 | 213 | 9325 | 285 | 201 | 9.01E-04 | GFL05 - 2S □□□ 071C13 MDFKS□□ 071-13 180 |
| 154 | 248 | 1.5 | 14.538 | 308 | 9325 | 242 | 9325 | 301 | 192 | 8.75E-04 | GFL05 - 2S □□□ 071C13 MDFKS□□ 071-13 180 |
| 169 | 226 | 1.4 | 15.904 | 337 | 9325 | 265 | 9325 | 310 | 179 | 8.60E-04 | GFL05 - 2S □□□ 071C13 MDFKS□□ 071-13 180 |
| 191 | 201 | 1.2 | 17.920 | 379 | 9325 | 299 | 9325 | 312 | 152 | 8.61E-04 | GFL05 - 2S □□□ 071C13 MDFKS□□ 071-13 180 |
| 216 | 177 | 1.1 | 20.286 | 430 | 9325 | 338 | 9325 | 333 | 153 | 8.43E-04 | GFL05 - 2S □□□ 071C13 MDFKS□□ 071-13 180 |
| 265 | 145 | 1.1 | 24.850 | 516 | 9325 | 414 | 9325 | 344 | 140 | 8.35E-04 | GFL05 - 2S □□□ 071C13 MDFKS□□ 071-13 180 |
| 52 | 1050 | 2.0 | 3.333 | 78 | 9325 | 89 | 9326 | 138 | 749 | 1.17E-03 | GFL05 - 2S □□□ 071C33 MDFKS□□ 071-33 175 |
| 71 | 766 | 1.8 | 4.571 | 106 | 9325 | 122 | 9326 | 170 | 607 | 1.21E-03 | GFL05 - 2S □□□ 071C33 MDFKS□□ 071-33 175 |
| 80 | 682 | 2.0 | 5.133 | 120 | 9325 | 137 | 9326 | 212 | 487 | 1.24E-03 | GFL05 - 2S □□□ 071C33 MDFKS□□ 071-33 175 |
| 88 | 618 | 2.0 | 5.667 | 132 | 9325 | 152 | 9326 | 233 | 439 | 1.23E-03 | GFL05 - 2S □□□ 071C33 MDFKS□□ 071-33 175 |
| 100 | 547 | 1.3 | 6.400 | 149 | 9325 | 171 | 9326 | 173 | 435 | 1.08E-03 | GFL05 - 2S □□□ 071C33 MDFKS□□ 071-33 175 |
| 110 | 497 | 1.7 | 7.040 | 164 | 9325 | 188 | 9326 | 248 | 382 | 1.15E-03 | GFL05 - 2S □□□ 071C33 MDFKS□□ 071-33 175 |

Observe the notes for thermal dimensioning.

Selection tables - Shaft-mounted helical gearboxes

Forced ventilated synchronous geared servo motors

| M ₂ [Nm] | n _{2 trans} [rpm] | c | i | M _{2 max} short-time on geared motor at | | | | M _{2 Gr} gearbox c=1 n ₁ ≤ 1400 rpm [Nm] | n _{2 therm} [rpm] | J _{GM} referred to motor shaft [kgm ²] | Servo shaft-mounted helical geared motor Dimensions on Page 4-82 |
|------------------------|-------------------------------|-----|--------|---|-------------|----------------------------|-------------|--|-------------------------------|---|---|
| | | | | 8 kHz | | 16 kHz | | | | | |
| | | | | M _{2 max} [Nm] | Type EVS | M _{2 max} [Nm] | Type EVS | | | | |
| 121 | 450 | 1.6 | 7.771 | 181 | 9325 | 208 | 9326 | 258 | 335 | 1.15E-03 | GFL05 - 2S □□□ 071C33 MDFKS□□ 071-33 175 |
| 141 | 388 | 1.4 | 9.010 | 210 | 9325 | 241 | 9326 | 266 | 306 | 1.10E-03 | GFL05 - 2S □□□ 071C33 MDFKS□□ 071-33 175 |
| 156 | 352 | 1.3 | 9.946 | 232 | 9325 | 266 | 9326 | 275 | 269 | 1.09E-03 | GFL05 - 2S □□□ 071C33 MDFKS□□ 071-33 175 |
| 178 | 308 | 1.2 | 11.360 | 264 | 9325 | 304 | 9326 | 278 | 197 | 1.11E-03 | GFL05 - 2S □□□ 071C33 MDFKS□□ 071-33 175 |
| 201 | 273 | 1.1 | 12.800 | 298 | 9325 | 342 | 9326 | 285 | 167 | 1.10E-03 | GFL05 - 2S □□□ 071C33 MDFKS□□ 071-33 175 |
| 45 | 512 | 4.3 | 6.450 | 86 | 9324 | 66 | 9324 | 263 | 512 | 9.65E-04 | GFL06 - 2S □□□ 071C03 MDFKS□□ 071-03 165 |
| 71 | 327 | 4.3 | 10.092 | 134 | 9324 | 104 | 9324 | 412 | 327 | 8.52E-04 | GFL06 - 2S □□□ 071C03 MDFKS□□ 071-03 165 |
| 104 | 224 | 4.3 | 14.743 | 196 | 9324 | 152 | 9324 | 602 | 224 | 7.95E-04 | GFL06 - 2S □□□ 071C03 MDFKS□□ 071-03 165 |
| 113 | 205 | 4.2 | 16.128 | 214 | 9324 | 166 | 9324 | 643 | 205 | 7.68E-04 | GFL06 - 2S □□□ 071C03 MDFKS□□ 071-03 165 |
| 129 | 182 | 3.5 | 18.169 | 241 | 9324 | 187 | 9324 | 600 | 182 | 7.57E-04 | GFL06 - 2S □□□ 071C03 MDFKS□□ 071-03 165 |
| 146 | 160 | 3.3 | 20.571 | 273 | 9324 | 211 | 9324 | 645 | 160 | 7.19E-04 | GFL06 - 2S □□□ 071C03 MDFKS□□ 071-03 165 |
| 166 | 142 | 2.8 | 23.175 | 308 | 9324 | 238 | 9324 | 604 | 142 | 7.13E-04 | GFL06 - 2S □□□ 071C03 MDFKS□□ 071-03 165 |
| 179 | 131 | 3.1 | 25.200 | 335 | 9324 | 259 | 9324 | 651 | 131 | 6.90E-04 | GFL06 - 2S □□□ 071C03 MDFKS□□ 071-03 165 |
| 203 | 116 | 2.6 | 28.389 | 377 | 9324 | 292 | 9324 | 607 | 116 | 6.86E-04 | GFL06 - 2S □□□ 071C03 MDFKS□□ 071-03 165 |
| 235 | 101 | 2.3 | 32.800 | 435 | 9324 | 337 | 9324 | 641 | 101 | 6.58E-04 | GFL06 - 2S □□□ 071C03 MDFKS□□ 071-03 165 |
| 266 | 89 | 2.0 | 36.951 | 490 | 9324 | 380 | 9324 | 611 | 89 | 6.56E-04 | GFL06 - 2S □□□ 071C03 MDFKS□□ 071-03 165 |
| 294 | 81 | 1.9 | 40.800 | 542 | 9324 | 419 | 9324 | 657 | 81 | 6.43E-04 | GFL06 - 2S □□□ 071C03 MDFKS□□ 071-03 165 |
| 332 | 72 | 1.6 | 45.963 | 610 | 9324 | 472 | 9324 | 613 | 72 | 6.41E-04 | GFL06 - 2S □□□ 071C03 MDFKS□□ 071-03 165 |
| 382 | 63 | 1.5 | 52.800 | 701 | 9324 | 543 | 9324 | 660 | 63 | 6.26E-04 | GFL06 - 2S □□□ 071C03 MDFKS□□ 071-03 165 |
| 432 | 55 | 1.2 | 59.481 | 790 | 9324 | 611 | 9324 | 615 | 55 | 6.25E-04 | GFL06 - 2S □□□ 071C03 MDFKS□□ 071-03 165 |
| 466 | 52 | 1.1 | 64.080 | 851 | 9324 | 658 | 9324 | 576 | 52 | 6.19E-04 | GFL06 - 2S □□□ 071C03 MDFKS□□ 071-03 165 |
| 525 | 46 | 1.1 | 72.189 | 924 | 9324 | 742 | 9324 | 616 | 46 | 6.19E-04 | GFL06 - 2S □□□ 071C03 MDFKS□□ 071-03 165 |
| 68 | 558 | 2.9 | 6.450 | 137 | 9325 | 107 | 9325 | 263 | 476 | 1.17E-03 | GFL06 - 2S □□□ 071C13 MDFKS□□ 071-13 180 |
| 106 | 357 | 2.9 | 10.092 | 214 | 9325 | 168 | 9325 | 412 | 304 | 1.05E-03 | GFL06 - 2S □□□ 071C13 MDFKS□□ 071-13 180 |
| 154 | 244 | 2.9 | 14.743 | 312 | 9325 | 246 | 9325 | 602 | 208 | 9.95E-04 | GFL06 - 2S □□□ 071C13 MDFKS□□ 071-13 180 |
| 169 | 223 | 2.8 | 16.128 | 341 | 9325 | 269 | 9325 | 643 | 196 | 9.68E-04 | GFL06 - 2S □□□ 071C13 MDFKS□□ 071-13 180 |
| 191 | 198 | 2.3 | 18.169 | 385 | 9325 | 303 | 9325 | 600 | 167 | 9.57E-04 | GFL06 - 2S □□□ 071C13 MDFKS□□ 071-13 180 |
| 217 | 175 | 2.2 | 20.571 | 436 | 9325 | 343 | 9325 | 645 | 163 | 9.19E-04 | GFL06 - 2S □□□ 071C13 MDFKS□□ 071-13 180 |
| 245 | 155 | 1.8 | 23.175 | 491 | 9325 | 386 | 9325 | 604 | 136 | 9.13E-04 | GFL06 - 2S □□□ 071C13 MDFKS□□ 071-13 180 |
| 266 | 143 | 2.1 | 25.200 | 534 | 9325 | 420 | 9325 | 651 | 143 | 8.90E-04 | GFL06 - 2S □□□ 071C13 MDFKS□□ 071-13 180 |
| 301 | 127 | 1.7 | 28.389 | 601 | 9325 | 473 | 9325 | 607 | 126 | 8.86E-04 | GFL06 - 2S □□□ 071C13 MDFKS□□ 071-13 180 |
| 348 | 110 | 1.6 | 32.800 | 694 | 9325 | 546 | 9325 | 641 | 110 | 8.58E-04 | GFL06 - 2S □□□ 071C13 MDFKS□□ 071-13 180 |
| 393 | 97 | 1.3 | 36.951 | 782 | 9325 | 616 | 9325 | 611 | 97 | 8.56E-04 | GFL06 - 2S □□□ 071C13 MDFKS□□ 071-13 180 |
| 434 | 88 | 1.3 | 40.800 | 864 | 9325 | 680 | 9325 | 657 | 88 | 8.43E-04 | GFL06 - 2S □□□ 071C13 MDFKS□□ 071-13 180 |

Observe the notes for thermal dimensioning.

Selection tables - Shaft-mounted helical gearboxes

Forced ventilated synchronous geared servo motors



| M ₂ [Nm] | n _{2 trans} [rpm] | c | i | M _{2 max} short-time on geared motor at | | | | M _{2 Gr} gearbox c=1 n ₁ ≤ 1400 rpm [Nm] | n _{2 therm} [rpm] | J _{GM} referred to motor shaft [kgm ²] | Servo shaft-mounted helical geared motor Dimensions on Page 4-82 |
|------------------------|-------------------------------|------------|---------------|--|-------------|----------------------------|-------------|---|-------------------------------|--|---|
| | | | | 8 kHz | | 16 kHz | | | | | |
| | | | | M _{2 max} [Nm] | Type EVS | M _{2 max} [Nm] | Type EVS | | | | |
| 490 | 78 | 1.1 | 45.963 | 919 | 9325 | 766 | 9325 | 613 | 78 | 8.41E-04 | GFL06 - 2S □□□ 071C13 MDFKS□□ 071-13 180 |
| 100 | 543 | 2.0 | 6.450 | 150 | 9325 | 172 | 9326 | 263 | 437 | 1.37E-03 | GFL06 - 2S □□□ 071C33 MDFKS□□ 071-33 175 |
| 157 | 347 | 2.0 | 10.092 | 235 | 9325 | 270 | 9326 | 412 | 280 | 1.25E-03 | GFL06 - 2S □□□ 071C33 MDFKS□□ 071-33 175 |
| 229 | 237 | 2.0 | 14.743 | 343 | 9325 | 394 | 9326 | 602 | 191 | 1.20E-03 | GFL06 - 2S □□□ 071C33 MDFKS□□ 071-33 175 |
| 251 | 217 | 1.9 | 16.128 | 375 | 9325 | 431 | 9326 | 643 | 179 | 1.17E-03 | GFL06 - 2S □□□ 071C33 MDFKS□□ 071-33 175 |
| 284 | 193 | 1.6 | 18.169 | 423 | 9325 | 486 | 9326 | 600 | 143 | 1.16E-03 | GFL06 - 2S □□□ 071C33 MDFKS□□ 071-33 175 |
| 322 | 170 | 1.5 | 20.571 | 479 | 9325 | 550 | 9326 | 645 | 140 | 1.12E-03 | GFL06 - 2S □□□ 071C33 MDFKS□□ 071-33 175 |
| 363 | 151 | 1.3 | 23.175 | 539 | 9325 | 620 | 9326 | 604 | 114 | 1.11E-03 | GFL06 - 2S □□□ 071C33 MDFKS□□ 071-33 175 |
| 394 | 139 | 1.4 | 25.200 | 587 | 9325 | 674 | 9326 | 651 | 129 | 1.09E-03 | GFL06 - 2S □□□ 071C33 MDFKS□□ 071-33 175 |
| 445 | 123 | 1.2 | 28.389 | 661 | 9325 | 759 | 9326 | 607 | 104 | 1.09E-03 | GFL06 - 2S □□□ 071C33 MDFKS□□ 071-33 175 |
| 515 | 107 | 1.1 | 32.800 | 763 | 9325 | 877 | 9326 | 641 | 104 | 1.06E-03 | GFL06 - 2S □□□ 071C33 MDFKS□□ 071-33 175 |
| 475 | 50 | 1.0 | 66.213 | 745 | 9324 | 670 | 9324 | 497 | 50 | 6.29E-04 | GFL06 - 3S □□□ 071C03 MDFKS□□ 071-03 165 |
| 143 | 163 | 4.3 | 20.286 | 269 | 9324 | 208 | 9324 | 828 | 163 | 9.47E-04 | GFL07 - 2S □□□ 071C03 MDFKS□□ 071-03 165 |
| 161 | 144 | 4.3 | 22.857 | 303 | 9324 | 235 | 9324 | 933 | 144 | 9.27E-04 | GFL07 - 2S □□□ 071C03 MDFKS□□ 071-03 165 |
| 228 | 102 | 3.9 | 32.344 | 429 | 9324 | 332 | 9324 | 1048 | 102 | 7.69E-04 | GFL07 - 2S □□□ 071C03 MDFKS□□ 071-03 165 |
| 257 | 91 | 3.9 | 36.444 | 484 | 9324 | 375 | 9324 | 1181 | 91 | 7.61E-04 | GFL07 - 2S □□□ 071C03 MDFKS□□ 071-03 165 |
| 282 | 83 | 3.3 | 39.642 | 526 | 9324 | 407 | 9324 | 1093 | 83 | 7.25E-04 | GFL07 - 2S □□□ 071C03 MDFKS□□ 071-03 165 |
| 317 | 74 | 3.3 | 44.667 | 593 | 9324 | 459 | 9324 | 1231 | 74 | 7.20E-04 | GFL07 - 2S □□□ 071C03 MDFKS□□ 071-03 165 |
| 373 | 63 | 2.6 | 52.067 | 691 | 9324 | 535 | 9324 | 1127 | 63 | 6.78E-04 | GFL07 - 2S □□□ 071C03 MDFKS□□ 071-03 165 |
| 420 | 56 | 2.6 | 58.667 | 779 | 9324 | 603 | 9324 | 1270 | 56 | 6.75E-04 | GFL07 - 2S □□□ 071C03 MDFKS□□ 071-03 165 |
| 454 | 52 | 2.2 | 63.190 | 839 | 9324 | 649 | 9324 | 1145 | 52 | 6.57E-04 | GFL07 - 2S □□□ 071C03 MDFKS□□ 071-03 165 |
| 511 | 46 | 2.4 | 71.200 | 945 | 9324 | 732 | 9324 | 1280 | 46 | 6.56E-04 | GFL07 - 2S □□□ 071C03 MDFKS□□ 071-03 165 |
| 579 | 41 | 1.4 | 79.875 | 1060 | 9324 | 821 | 9324 | 854 | 41 | 6.37E-04 | GFL07 - 2S □□□ 071C03 MDFKS□□ 071-03 165 |
| 652 | 37 | 1.4 | 90.000 | 1195 | 9324 | 925 | 9324 | 930 | 37 | 6.36E-04 | GFL07 - 2S □□□ 071C03 MDFKS□□ 071-03 165 |
| 212 | 177 | 2.9 | 20.286 | 430 | 9325 | 338 | 9325 | 828 | 152 | 1.15E-03 | GFL07 - 2S □□□ 071C13 MDFKS□□ 071-13 180 |
| 239 | 158 | 2.9 | 22.857 | 484 | 9325 | 381 | 9325 | 933 | 135 | 1.13E-03 | GFL07 - 2S □□□ 071C13 MDFKS□□ 071-13 180 |
| 340 | 111 | 2.6 | 32.344 | 685 | 9325 | 539 | 9325 | 1048 | 111 | 9.69E-04 | GFL07 - 2S □□□ 071C13 MDFKS□□ 071-13 180 |
| 383 | 99 | 2.6 | 36.444 | 772 | 9325 | 607 | 9325 | 1181 | 99 | 9.61E-04 | GFL07 - 2S □□□ 071C13 MDFKS□□ 071-13 180 |
| 418 | 91 | 2.2 | 39.642 | 839 | 9325 | 660 | 9325 | 1093 | 91 | 9.25E-04 | GFL07 - 2S □□□ 071C13 MDFKS□□ 071-13 180 |
| 471 | 81 | 2.2 | 44.667 | 946 | 9325 | 744 | 9325 | 1231 | 81 | 9.20E-04 | GFL07 - 2S □□□ 071C13 MDFKS□□ 071-13 180 |
| 552 | 69 | 1.7 | 52.067 | 1102 | 9325 | 867 | 9325 | 1127 | 69 | 8.78E-04 | GFL07 - 2S □□□ 071C13 MDFKS□□ 071-13 180 |
| 621 | 61 | 1.7 | 58.667 | 1242 | 9325 | 977 | 9325 | 1270 | 61 | 8.75E-04 | GFL07 - 2S □□□ 071C13 MDFKS□□ 071-13 180 |
| 671 | 57 | 1.4 | 63.190 | 1338 | 9325 | 1053 | 9325 | 1145 | 57 | 8.57E-04 | GFL07 - 2S □□□ 071C13 MDFKS□□ 071-13 180 |
| 755 | 51 | 1.6 | 71.200 | 1507 | 9325 | 1186 | 9325 | 1280 | 51 | 8.56E-04 | GFL07 - 2S □□□ 071C13 MDFKS□□ 071-13 180 |

Observe the notes for thermal dimensioning.

Selection tables - Shaft-mounted helical gearboxes

Forced ventilated synchronous geared servo motors

| M ₂ [Nm] | n _{2 trans} [rpm] | c | i | M _{2 max} short-time on geared motor at | | | | M _{2 Gr} gearbox c=1 n ₁ ≤1400 rpm [Nm] | n _{2 therm} [rpm] | J _{GM} referred to motor shaft [kgm ²] | Servo shaft-mounted helical geared motor Dimensions on Page 4-82 |
|------------------------|-------------------------------|------------|---------------|---|-------------|----------------------------|-------------|---|-------------------------------|---|---|
| | | | | 8 kHz | | 16 kHz | | | | | |
| | | | | M _{2 max} [Nm] | Type EVS | M _{2 max} [Nm] | Type EVS | | | | |
| 316 | 173 | 2.0 | 20.286 | 472 | 9325 | 542 | 9326 | 828 | 140 | 1.35E-03 | GFL07 - 2S □□□ 071C33 MDFKS□□ 071-33 175 |
| 356 | 153 | 2.0 | 22.857 | 532 | 9325 | 611 | 9326 | 933 | 124 | 1.33E-03 | GFL07 - 2S □□□ 071C33 MDFKS□□ 071-33 175 |
| 504 | 108 | 1.8 | 32.344 | 753 | 9325 | 865 | 9326 | 1048 | 108 | 1.17E-03 | GFL07 - 2S □□□ 071C33 MDFKS□□ 071-33 175 |
| 568 | 96 | 1.8 | 36.444 | 848 | 9325 | 974 | 9326 | 1181 | 96 | 1.16E-03 | GFL07 - 2S □□□ 071C33 MDFKS□□ 071-33 175 |
| 620 | 88 | 1.5 | 39.642 | 923 | 9325 | 1060 | 9326 | 1093 | 88 | 1.13E-03 | GFL07 - 2S □□□ 071C33 MDFKS□□ 071-33 175 |
| 698 | 78 | 1.5 | 44.667 | 1040 | 9325 | 1194 | 9326 | 1231 | 78 | 1.12E-03 | GFL07 - 2S □□□ 071C33 MDFKS□□ 071-33 175 |
| 817 | 67 | 1.2 | 52.067 | 1212 | 9325 | 1392 | 9326 | 1127 | 67 | 1.08E-03 | GFL07 - 2S □□□ 071C33 MDFKS□□ 071-33 175 |
| 920 | 60 | 1.2 | 58.667 | 1366 | 9325 | 1568 | 9326 | 1270 | 60 | 1.08E-03 | GFL07 - 2S □□□ 071C33 MDFKS□□ 071-33 175 |
| 1118 | 49 | 1.1 | 71.200 | 1657 | 9325 | 1903 | 9326 | 1280 | 49 | 1.06E-03 | GFL07 - 2S □□□ 071C33 MDFKS□□ 071-33 175 |
| 464 | 51 | 1.8 | 65.306 | 854 | 9324 | 661 | 9324 | 883 | 51 | 6.79E-04 | GFL07 - 3S □□□ 071C03 MDFKS□□ 071-03 165 |
| 516 | 46 | 1.6 | 72.452 | 947 | 9324 | 733 | 9324 | 869 | 46 | 6.89E-04 | GFL07 - 3S □□□ 071C03 MDFKS□□ 071-03 165 |
| 581 | 40 | 1.6 | 81.636 | 1067 | 9324 | 826 | 9324 | 979 | 40 | 6.88E-04 | GFL07 - 3S □□□ 071C03 MDFKS□□ 071-03 165 |
| 660 | 36 | 1.4 | 92.413 | 1208 | 9324 | 935 | 9324 | 961 | 36 | 6.61E-04 | GFL07 - 3S □□□ 071C03 MDFKS□□ 071-03 165 |
| 743 | 32 | 1.4 | 104.127 | 1361 | 9324 | 1054 | 9324 | 1082 | 32 | 6.60E-04 | GFL07 - 3S □□□ 071C03 MDFKS□□ 071-03 165 |
| 809 | 29 | 1.2 | 113.206 | 1480 | 9324 | 1146 | 9324 | 1040 | 29 | 6.45E-04 | GFL07 - 3S □□□ 071C03 MDFKS□□ 071-03 165 |
| 912 | 26 | 1.2 | 127.556 | 1668 | 9324 | 1291 | 9324 | 1171 | 26 | 6.44E-04 | GFL07 - 3S □□□ 071C03 MDFKS□□ 071-03 165 |
| 1056 | 22 | 1.0 | 147.347 | 1710 | 9324 | 1491 | 9324 | 1140 | 22 | 6.27E-04 | GFL07 - 3S □□□ 071C03 MDFKS□□ 071-03 165 |
| 1190 | 20 | 1.0 | 166.025 | 1872 | 9324 | 1680 | 9324 | 1248 | 20 | 6.27E-04 | GFL07 - 3S □□□ 071C03 MDFKS□□ 071-03 165 |
| 685 | 55 | 1.2 | 65.306 | 1324 | 9325 | 1072 | 9325 | 883 | 55 | 8.79E-04 | GFL07 - 3S □□□ 071C13 MDFKS□□ 071-13 180 |
| 761 | 50 | 1.1 | 72.452 | 1303 | 9325 | 1189 | 9325 | 869 | 46 | 8.89E-04 | GFL07 - 3S □□□ 071C13 MDFKS□□ 071-13 180 |
| 858 | 44 | 1.1 | 81.636 | 1468 | 9325 | 1340 | 9325 | 979 | 41 | 8.88E-04 | GFL07 - 3S □□□ 071C13 MDFKS□□ 071-13 180 |
| 445 | 52 | 2.9 | 63.326 | 828 | 9324 | 641 | 9324 | 1510 | 52 | 8.34E-04 | GFL09 - 3S □□□ 071C03 MDFKS□□ 071-03 165 |
| 515 | 45 | 2.8 | 73.173 | 957 | 9324 | 741 | 9324 | 1517 | 45 | 8.47E-04 | GFL09 - 3S □□□ 071C03 MDFKS□□ 071-03 165 |
| 580 | 40 | 2.8 | 82.465 | 1078 | 9324 | 835 | 9324 | 1710 | 40 | 8.43E-04 | GFL09 - 3S □□□ 071C03 MDFKS□□ 071-03 165 |
| 659 | 35 | 2.5 | 93.333 | 1220 | 9324 | 945 | 9324 | 1692 | 35 | 7.68E-04 | GFL09 - 3S □□□ 071C03 MDFKS□□ 071-03 165 |
| 742 | 31 | 2.5 | 105.185 | 1375 | 9324 | 1065 | 9324 | 1907 | 31 | 7.65E-04 | GFL09 - 3S □□□ 071C03 MDFKS□□ 071-03 165 |
| 809 | 29 | 2.2 | 114.333 | 1495 | 9324 | 1157 | 9324 | 1847 | 29 | 7.23E-04 | GFL09 - 3S □□□ 071C03 MDFKS□□ 071-03 165 |
| 912 | 26 | 2.2 | 128.852 | 1685 | 9324 | 1304 | 9324 | 2082 | 26 | 7.21E-04 | GFL09 - 3S □□□ 071C03 MDFKS□□ 071-03 165 |
| 1057 | 22 | 1.9 | 148.815 | 1946 | 9324 | 1506 | 9324 | 2053 | 22 | 6.77E-04 | GFL09 - 3S □□□ 071C03 MDFKS□□ 071-03 165 |
| 1191 | 20 | 1.9 | 167.712 | 2193 | 9324 | 1697 | 9324 | 2314 | 20 | 6.76E-04 | GFL09 - 3S □□□ 071C03 MDFKS□□ 071-03 165 |
| 1318 | 18 | 1.6 | 185.111 | 2420 | 9324 | 1873 | 9324 | 2232 | 18 | 6.55E-04 | GFL09 - 3S □□□ 071C03 MDFKS□□ 071-03 165 |
| 1485 | 16 | 1.6 | 208.617 | 2727 | 9324 | 2111 | 9324 | 2515 | 16 | 6.54E-04 | GFL09 - 3S □□□ 071C03 MDFKS□□ 071-03 165 |
| 1604 | 15 | 1.4 | 224.778 | 2939 | 9324 | 2275 | 9324 | 2407 | 15 | 6.51E-04 | GFL09 - 3S □□□ 071C03 MDFKS□□ 071-03 165 |
| 1807 | 13 | 1.4 | 253.321 | 3312 | 9324 | 2564 | 9324 | 2712 | 13 | 6.50E-04 | GFL09 - 3S □□□ 071C03 MDFKS□□ 071-03 165 |

Observe the notes for thermal dimensioning.

Selection tables - Shaft-mounted helical gearboxes

Forced ventilated synchronous geared servo motors



| M ₂ [Nm] | n _{2 trans} [rpm] | c | i | M _{2 max} short-time on geared motor at | | | | M _{2 Gr} gearbox c=1 n ₁ ≤ 1400 rpm [Nm] | n _{2 therm} [rpm] | J _{GM} referred to motor shaft [kgm ²] | Servo shaft-mounted helical geared motor Dimensions on Page 4-82 |
|------------------------|-------------------------------|-----|---------|--|-------------|----------------------------|-------------|---|-------------------------------|--|---|
| | | | | 8 kHz | | 16 kHz | | | | | |
| | | | | M _{2 max} [Nm] | Type EVS | M _{2 max} [Nm] | Type EVS | | | | |
| 2080 | 11 | 1.2 | 290.889 | 3803 | 9324 | 2944 | 9324 | 2640 | 11 | 6.31E-04 | GFL09 - 3S □□□ 071C03 MDFKS□□ 071-03 165 |
| 2344 | 10 | 1.2 | 327.827 | 4286 | 9324 | 3318 | 9324 | 2976 | 10 | 6.31E-04 | GFL09 - 3S □□□ 071C03 MDFKS□□ 071-03 165 |
| 2528 | 9.4 | 1.1 | 353.033 | 4220 | 9324 | 3573 | 9324 | 2813 | 9.4 | 6.23E-04 | GFL09 - 3S □□□ 071C03 MDFKS□□ 071-03 165 |
| 2849 | 8.3 | 1.1 | 397.863 | 4756 | 9324 | 4027 | 9324 | 3170 | 8.3 | 6.22E-04 | GFL09 - 3S □□□ 071C03 MDFKS□□ 071-03 165 |
| 659 | 57 | 1.9 | 63.326 | 1321 | 9325 | 1039 | 9325 | 1510 | 57 | 1.03E-03 | GFL09 - 3S □□□ 071C13 MDFKS□□ 071-13 180 |
| 762 | 49 | 1.9 | 73.173 | 1526 | 9325 | 1201 | 9325 | 1517 | 49 | 1.05E-03 | GFL09 - 3S □□□ 071C13 MDFKS□□ 071-13 180 |
| 859 | 44 | 1.9 | 82.465 | 1720 | 9325 | 1353 | 9325 | 1710 | 44 | 1.04E-03 | GFL09 - 3S □□□ 071C13 MDFKS□□ 071-13 180 |
| 975 | 39 | 1.6 | 93.333 | 1946 | 9325 | 1532 | 9325 | 1692 | 39 | 9.68E-04 | GFL09 - 3S □□□ 071C13 MDFKS□□ 071-13 180 |
| 1099 | 34 | 1.6 | 105.185 | 2193 | 9325 | 1726 | 9325 | 1907 | 34 | 9.65E-04 | GFL09 - 3S □□□ 071C13 MDFKS□□ 071-13 180 |
| 1196 | 31 | 1.4 | 114.333 | 2384 | 9325 | 1876 | 9325 | 1847 | 31 | 9.23E-04 | GFL09 - 3S □□□ 071C13 MDFKS□□ 071-13 180 |
| 1348 | 28 | 1.4 | 128.852 | 2687 | 9325 | 2114 | 9325 | 2082 | 28 | 9.21E-04 | GFL09 - 3S □□□ 071C13 MDFKS□□ 071-13 180 |
| 1561 | 24 | 1.2 | 148.815 | 3080 | 9325 | 2442 | 9325 | 2053 | 24 | 8.77E-04 | GFL09 - 3S □□□ 071C13 MDFKS□□ 071-13 180 |
| 1759 | 21 | 1.2 | 167.712 | 3471 | 9325 | 2752 | 9325 | 2314 | 21 | 8.76E-04 | GFL09 - 3S □□□ 071C13 MDFKS□□ 071-13 180 |
| 1944 | 19 | 1.1 | 185.111 | 3347 | 9325 | 3038 | 9325 | 2232 | 19 | 8.55E-04 | GFL09 - 3S □□□ 071C13 MDFKS□□ 071-13 180 |
| 2191 | 17 | 1.1 | 208.617 | 3772 | 9325 | 3423 | 9325 | 2515 | 17 | 8.54E-04 | GFL09 - 3S □□□ 071C13 MDFKS□□ 071-13 180 |
| 977 | 55 | 1.3 | 63.326 | 1452 | 9325 | 1667 | 9326 | 1510 | 55 | 1.23E-03 | GFL09 - 3S □□□ 071C33 MDFKS□□ 071-33 175 |
| 1130 | 48 | 1.3 | 73.173 | 1678 | 9325 | 1927 | 9326 | 1517 | 48 | 1.25E-03 | GFL09 - 3S □□□ 071C33 MDFKS□□ 071-33 175 |
| 1273 | 42 | 1.3 | 82.465 | 1891 | 9325 | 2171 | 9326 | 1710 | 42 | 1.24E-03 | GFL09 - 3S □□□ 071C33 MDFKS□□ 071-33 175 |
| 1443 | 38 | 1.1 | 93.333 | 2140 | 9325 | 2457 | 9326 | 1692 | 38 | 1.17E-03 | GFL09 - 3S □□□ 071C33 MDFKS□□ 071-33 175 |
| 1627 | 33 | 1.1 | 105.185 | 2412 | 9325 | 2769 | 9326 | 1907 | 33 | 1.17E-03 | GFL09 - 3S □□□ 071C33 MDFKS□□ 071-33 175 |
| 446 | 51 | 5.4 | 65.306 | 854 | 9324 | 661 | 9324 | 2626 | 51 | 1.30E-03 | GFL11 - 3S □□□ 071C03 MDFKS□□ 071-03 165 |
| 645 | 35 | 4.6 | 93.540 | 1223 | 9324 | 947 | 9324 | 3206 | 35 | 1.10E-03 | GFL11 - 3S □□□ 071C03 MDFKS□□ 071-03 165 |
| 727 | 31 | 4.6 | 105.397 | 1378 | 9324 | 1067 | 9324 | 3613 | 31 | 1.10E-03 | GFL11 - 3S □□□ 071C03 MDFKS□□ 071-03 165 |
| 1041 | 22 | 3.5 | 149.144 | 1950 | 9324 | 1509 | 9324 | 3894 | 22 | 8.30E-04 | GFL11 - 3S □□□ 071C03 MDFKS□□ 071-03 165 |
| 1173 | 20 | 3.5 | 168.049 | 2197 | 9324 | 1701 | 9324 | 4387 | 20 | 8.27E-04 | GFL11 - 3S □□□ 071C03 MDFKS□□ 071-03 165 |
| 1281 | 18 | 3.1 | 182.792 | 2390 | 9324 | 1850 | 9324 | 4233 | 18 | 7.66E-04 | GFL11 - 3S □□□ 071C03 MDFKS□□ 071-03 165 |
| 1443 | 16 | 3.1 | 205.963 | 2693 | 9324 | 2085 | 9324 | 4769 | 16 | 7.64E-04 | GFL11 - 3S □□□ 071C03 MDFKS□□ 071-03 165 |
| 1581 | 15 | 2.7 | 224.636 | 2937 | 9324 | 2273 | 9324 | 4523 | 15 | 7.52E-04 | GFL11 - 3S □□□ 071C03 MDFKS□□ 071-03 165 |
| 1782 | 13 | 2.7 | 253.111 | 3309 | 9324 | 2562 | 9324 | 5097 | 13 | 7.50E-04 | GFL11 - 3S □□□ 071C03 MDFKS□□ 071-03 165 |
| 1884 | 12 | 2.6 | 267.259 | 3494 | 9324 | 2705 | 9324 | 5106 | 12 | 7.87E-04 | GFL11 - 3S □□□ 071C03 MDFKS□□ 071-03 165 |
| 2316 | 10 | 2.3 | 327.556 | 4282 | 9324 | 3315 | 9324 | 5523 | 10 | 7.37E-04 | GFL11 - 3S □□□ 071C03 MDFKS□□ 071-03 165 |
| 2540 | 9.2 | 2.0 | 358.077 | 4681 | 9324 | 3624 | 9324 | 5283 | 9.2 | 6.68E-04 | GFL11 - 3S □□□ 071C03 MDFKS□□ 071-03 165 |
| 2862 | 8.2 | 2.0 | 403.467 | 5275 | 9324 | 4083 | 9324 | 5952 | 8.2 | 6.67E-04 | GFL11 - 3S □□□ 071C03 MDFKS□□ 071-03 165 |
| 3056 | 7.7 | 1.9 | 430.222 | 5625 | 9324 | 4354 | 9324 | 5942 | 7.7 | 6.85E-04 | GFL11 - 3S □□□ 071C03 MDFKS□□ 071-03 165 |

Observe the notes for thermal dimensioning.

Selection tables - Shaft-mounted helical gearboxes

Forced ventilated synchronous geared servo motors

| M ₂ [Nm] | n _{2 trans} [rpm] | c | i | M _{2 max} short-time on geared motor at | | | | M _{2 Gr} gearbox c=1 n ₁ ≤ 1400 rpm [Nm] | n _{2 therm} [rpm] | J _{GM} referred to motor shaft [kgm ²] | Servo shaft-mounted helical geared motor Dimensions on Page 4-82 |
|------------------------|-------------------------------|-----|---------|---|-------------|----------------------------|-------------|--|-------------------------------|---|---|
| | | | | 8 kHz | | 16 kHz | | | | | |
| | | | | M _{2 max} [Nm] | Type EVS | M _{2 max} [Nm] | Type EVS | | | | |
| 3721 | 6.3 | 1.5 | 522.133 | 6826 | 9324 | 5284 | 9324 | 5942 | 6.3 | 6.62E-04 | GFL11 - 3S □□□ 071C03 MDFKS□□ 071-03 165 |
| 4019 | 5.9 | 1.3 | 562.391 | 7353 | 9324 | 5692 | 9324 | 5319 | 5.9 | 6.60E-04 | GFL11 - 3S □□□ 071C03 MDFKS□□ 071-03 165 |
| 4530 | 5.2 | 1.2 | 633.680 | 8285 | 9324 | 6413 | 9324 | 5844 | 5.2 | 6.60E-04 | GFL11 - 3S □□□ 071C03 MDFKS□□ 071-03 165 |
| 5095 | 4.6 | 1.0 | 710.888 | 7979 | 9324 | 7195 | 9324 | 5319 | 4.6 | 6.39E-04 | GFL11 - 3S □□□ 071C03 MDFKS□□ 071-03 165 |
| 668 | 55 | 3.6 | 65.306 | 1362 | 9325 | 1072 | 9325 | 2626 | 55 | 1.50E-03 | GFL11 - 3S □□□ 071C13 MDFKS□□ 071-13 180 |
| 962 | 38 | 3.1 | 93.540 | 1951 | 9325 | 1535 | 9325 | 3206 | 38 | 1.30E-03 | GFL11 - 3S □□□ 071C13 MDFKS□□ 071-13 180 |
| 1084 | 34 | 3.1 | 105.397 | 2198 | 9325 | 1729 | 9325 | 3613 | 34 | 1.30E-03 | GFL11 - 3S □□□ 071C13 MDFKS□□ 071-13 180 |
| 1546 | 24 | 2.3 | 149.144 | 3110 | 9325 | 2447 | 9325 | 3894 | 24 | 1.03E-03 | GFL11 - 3S □□□ 071C13 MDFKS□□ 071-13 180 |
| 1742 | 21 | 2.3 | 168.049 | 3504 | 9325 | 2758 | 9325 | 4387 | 21 | 1.03E-03 | GFL11 - 3S □□□ 071C13 MDFKS□□ 071-13 180 |
| 1900 | 20 | 2.1 | 182.792 | 3812 | 9325 | 2999 | 9325 | 4233 | 20 | 9.66E-04 | GFL11 - 3S □□□ 071C13 MDFKS□□ 071-13 180 |
| 2141 | 17 | 2.1 | 205.963 | 4295 | 9325 | 3380 | 9325 | 4769 | 17 | 9.64E-04 | GFL11 - 3S □□□ 071C13 MDFKS□□ 071-13 180 |
| 2342 | 16 | 1.8 | 224.636 | 4684 | 9325 | 3686 | 9325 | 4523 | 16 | 9.52E-04 | GFL11 - 3S □□□ 071C13 MDFKS□□ 071-13 180 |
| 2638 | 14 | 1.8 | 253.111 | 5278 | 9325 | 4153 | 9325 | 5097 | 14 | 9.50E-04 | GFL11 - 3S □□□ 071C13 MDFKS□□ 071-13 180 |
| 2789 | 13 | 1.7 | 267.259 | 5573 | 9325 | 4385 | 9325 | 5106 | 13 | 9.87E-04 | GFL11 - 3S □□□ 071C13 MDFKS□□ 071-13 180 |
| 3425 | 11 | 1.5 | 327.556 | 6830 | 9325 | 5375 | 9325 | 5523 | 11 | 9.37E-04 | GFL11 - 3S □□□ 071C13 MDFKS□□ 071-13 180 |
| 3752 | 10 | 1.3 | 358.077 | 7467 | 9325 | 5876 | 9325 | 5283 | 10 | 8.68E-04 | GFL11 - 3S □□□ 071C13 MDFKS□□ 071-13 180 |
| 4227 | 8.9 | 1.3 | 403.467 | 8413 | 9325 | 6620 | 9325 | 5952 | 8.9 | 8.67E-04 | GFL11 - 3S □□□ 071C13 MDFKS□□ 071-13 180 |
| 4511 | 8.4 | 1.2 | 430.222 | 8913 | 9325 | 7060 | 9325 | 5942 | 8.4 | 8.85E-04 | GFL11 - 3S □□□ 071C13 MDFKS□□ 071-13 180 |
| 5488 | 6.9 | 1.0 | 522.133 | 8913 | 9325 | 8568 | 9325 | 5942 | 6.9 | 8.62E-04 | GFL11 - 3S □□□ 071C13 MDFKS□□ 071-13 180 |
| 996 | 54 | 2.5 | 65.306 | 1497 | 9325 | 1719 | 9326 | 2626 | 54 | 1.70E-03 | GFL11 - 3S □□□ 071C33 MDFKS□□ 071-33 175 |
| 1431 | 37 | 2.1 | 93.540 | 2145 | 9325 | 2463 | 9326 | 3206 | 37 | 1.50E-03 | GFL11 - 3S □□□ 071C33 MDFKS□□ 071-33 175 |
| 1613 | 33 | 2.1 | 105.397 | 2416 | 9325 | 2775 | 9326 | 3613 | 33 | 1.50E-03 | GFL11 - 3S □□□ 071C33 MDFKS□□ 071-33 175 |
| 2294 | 23 | 1.6 | 149.144 | 3419 | 9325 | 3927 | 9326 | 3894 | 23 | 1.23E-03 | GFL11 - 3S □□□ 071C33 MDFKS□□ 071-33 175 |
| 2585 | 21 | 1.6 | 168.049 | 3853 | 9325 | 4425 | 9326 | 4387 | 21 | 1.23E-03 | GFL11 - 3S □□□ 071C33 MDFKS□□ 071-33 175 |
| 2818 | 19 | 1.4 | 182.792 | 4191 | 9325 | 4813 | 9326 | 4233 | 19 | 1.17E-03 | GFL11 - 3S □□□ 071C33 MDFKS□□ 071-33 175 |
| 3175 | 17 | 1.4 | 205.963 | 4722 | 9325 | 5423 | 9326 | 4769 | 17 | 1.16E-03 | GFL11 - 3S □□□ 071C33 MDFKS□□ 071-33 175 |
| 3469 | 16 | 1.2 | 224.636 | 5150 | 9325 | 5914 | 9326 | 4523 | 16 | 1.15E-03 | GFL11 - 3S □□□ 071C33 MDFKS□□ 071-33 175 |
| 3909 | 14 | 1.2 | 253.111 | 5803 | 9325 | 6664 | 9326 | 5097 | 14 | 1.15E-03 | GFL11 - 3S □□□ 071C33 MDFKS□□ 071-33 175 |
| 4130 | 13 | 1.2 | 267.259 | 6127 | 9325 | 7037 | 9326 | 5106 | 13 | 1.19E-03 | GFL11 - 3S □□□ 071C33 MDFKS□□ 071-33 175 |
| 5069 | 11 | 1.0 | 327.556 | 7510 | 9325 | 8284 | 9326 | 5523 | 11 | 1.14E-03 | GFL11 - 3S □□□ 071C33 MDFKS□□ 071-33 175 |

Observe the notes for thermal dimensioning.

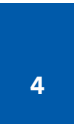
Selection tables - Shaft-mounted helical gearboxes

Naturally ventilated asynchronous geared servo motors



| M ₂ [Nm] | n _{2 trans} [rpm] | c | i | M _{2 max} short-time on geared motor at | | | | M _{2 Gr} gearbox c=1 n ₁ ≤ 1400 rpm [Nm] | n _{2 therm} [rpm] | J _{GM} referred to motor shaft [kgm ²] | Servo shaft-mounted helical geared motor Dimensions on Page 4-82 |
|------------------------|-------------------------------|-----|--------|---|-------------|----------------------------|-------------|--|-------------------------------|---|---|
| | | | | 8 kHz | | 16 kHz | | | | | |
| | | | | M _{2 max} [Nm] | Type EVS | M _{2 max} [Nm] | Type EVS | | | | |
| 13 | 562 | 6.0 | 7.025 | 30 | 9322 | 36 | 9323 | 113 | 562 | 2.87E-04 | GFL04 - 2A □□□ 056C22 MDSKA□□ 056-22 140 |
| 19 | 386 | 5.8 | 10.238 | 44 | 9322 | 53 | 9323 | 159 | 386 | 2.77E-04 | GFL04 - 2A □□□ 056C22 MDSKA□□ 056-22 140 |
| 21 | 344 | 5.9 | 11.491 | 50 | 9322 | 59 | 9323 | 181 | 344 | 2.81E-04 | GFL04 - 2A □□□ 056C22 MDSKA□□ 056-22 140 |
| 24 | 309 | 4.8 | 12.800 | 55 | 9322 | 66 | 9323 | 166 | 309 | 2.78E-04 | GFL04 - 2A □□□ 056C22 MDSKA□□ 056-22 140 |
| 27 | 269 | 4.6 | 14.706 | 64 | 9322 | 76 | 9323 | 182 | 269 | 2.68E-04 | GFL04 - 2A □□□ 056C22 MDSKA□□ 056-22 140 |
| 30 | 246 | 4.2 | 16.087 | 70 | 9322 | 83 | 9323 | 182 | 246 | 2.65E-04 | GFL04 - 2A □□□ 056C22 MDSKA□□ 056-22 140 |
| 34 | 220 | 3.5 | 17.920 | 77 | 9322 | 92 | 9323 | 167 | 220 | 2.63E-04 | GFL04 - 2A □□□ 056C22 MDSKA□□ 056-22 140 |
| 39 | 193 | 3.3 | 20.519 | 89 | 9322 | 106 | 9323 | 183 | 193 | 2.57E-04 | GFL04 - 2A □□□ 056C22 MDSKA□□ 056-22 140 |
| 44 | 173 | 2.7 | 22.857 | 99 | 9322 | 118 | 9323 | 167 | 173 | 2.56E-04 | GFL04 - 2A □□□ 056C22 MDSKA□□ 056-22 140 |
| 48 | 157 | 3.1 | 25.136 | 109 | 9322 | 129 | 9323 | 183 | 157 | 2.53E-04 | GFL04 - 2A □□□ 056C22 MDSKA□□ 056-22 140 |
| 53 | 141 | 2.5 | 28.000 | 121 | 9322 | 144 | 9323 | 168 | 141 | 2.52E-04 | GFL04 - 2A □□□ 056C22 MDSKA□□ 056-22 140 |
| 60 | 125 | 2.5 | 31.600 | 136 | 9322 | 163 | 9323 | 185 | 125 | 2.49E-04 | GFL04 - 2A □□□ 056C22 MDSKA□□ 056-22 140 |
| 68 | 112 | 2.0 | 35.200 | 152 | 9322 | 181 | 9323 | 170 | 112 | 2.48E-04 | GFL04 - 2A □□□ 056C22 MDSKA□□ 056-22 140 |
| 78 | 97 | 1.9 | 40.697 | 176 | 9322 | 209 | 9323 | 187 | 97 | 2.46E-04 | GFL04 - 2A □□□ 056C22 MDSKA□□ 056-22 140 |
| 87 | 87 | 1.6 | 45.333 | 196 | 9322 | 233 | 9323 | 172 | 87 | 2.46E-04 | GFL04 - 2A □□□ 056C22 MDSKA□□ 056-22 140 |
| 14 | 1107 | 5.5 | 3.659 | 45 | 9324 | 33 | 9324 | 109 | 1003 | 9.81E-04 | GFL04 - 2A □□□ 071C22 MDSKA□□ 071-22 140 |
| 19 | 807 | 4.1 | 5.018 | 61 | 9324 | 45 | 9324 | 111 | 769 | 9.16E-04 | GFL04 - 2A □□□ 071C22 MDSKA□□ 071-22 140 |
| 22 | 694 | 4.9 | 5.833 | 71 | 9324 | 52 | 9324 | 153 | 616 | 9.23E-04 | GFL04 - 2A □□□ 071C22 MDSKA□□ 071-22 140 |
| 24 | 631 | 3.2 | 6.422 | 79 | 9324 | 57 | 9324 | 113 | 631 | 8.86E-04 | GFL04 - 2A □□□ 071C22 MDSKA□□ 071-22 140 |
| 27 | 576 | 3.0 | 7.025 | 86 | 9324 | 63 | 9324 | 113 | 576 | 8.77E-04 | GFL04 - 2A □□□ 071C22 MDSKA□□ 071-22 140 |
| 32 | 483 | 3.9 | 8.379 | 102 | 9324 | 75 | 9324 | 179 | 413 | 8.97E-04 | GFL04 - 2A □□□ 071C22 MDSKA□□ 071-22 140 |
| 35 | 434 | 3.3 | 9.333 | 114 | 9324 | 83 | 9324 | 165 | 358 | 8.91E-04 | GFL04 - 2A □□□ 071C22 MDSKA□□ 071-22 140 |
| 39 | 396 | 2.9 | 10.238 | 125 | 9324 | 91 | 9324 | 159 | 396 | 8.67E-04 | GFL04 - 2A □□□ 071C22 MDSKA□□ 071-22 140 |
| 44 | 352 | 2.9 | 11.491 | 141 | 9324 | 103 | 9324 | 181 | 317 | 8.71E-04 | GFL04 - 2A □□□ 071C22 MDSKA□□ 071-22 140 |
| 49 | 316 | 2.4 | 12.800 | 157 | 9324 | 114 | 9324 | 166 | 274 | 8.68E-04 | GFL04 - 2A □□□ 071C22 MDSKA□□ 071-22 140 |
| 56 | 275 | 2.3 | 14.706 | 180 | 9324 | 131 | 9324 | 182 | 275 | 8.58E-04 | GFL04 - 2A □□□ 071C22 MDSKA□□ 071-22 140 |
| 62 | 252 | 2.1 | 16.087 | 197 | 9324 | 144 | 9324 | 182 | 252 | 8.55E-04 | GFL04 - 2A □□□ 071C22 MDSKA□□ 071-22 140 |
| 69 | 226 | 1.7 | 17.920 | 219 | 9324 | 160 | 9324 | 167 | 217 | 8.53E-04 | GFL04 - 2A □□□ 071C22 MDSKA□□ 071-22 140 |
| 79 | 197 | 1.7 | 20.519 | 251 | 9324 | 183 | 9324 | 183 | 197 | 8.47E-04 | GFL04 - 2A □□□ 071C22 MDSKA□□ 071-22 140 |
| 88 | 177 | 1.4 | 22.857 | 251 | 9324 | 204 | 9324 | 167 | 174 | 8.46E-04 | GFL04 - 2A □□□ 071C22 MDSKA□□ 071-22 140 |
| 97 | 161 | 1.5 | 25.136 | 275 | 9324 | 224 | 9324 | 183 | 161 | 8.43E-04 | GFL04 - 2A □□□ 071C22 MDSKA□□ 071-22 140 |
| 108 | 145 | 1.3 | 28.000 | 252 | 9324 | 250 | 9324 | 168 | 145 | 8.42E-04 | GFL04 - 2A □□□ 071C22 MDSKA□□ 071-22 140 |
| 42 | 173 | 5.1 | 22.857 | 99 | 9322 | 118 | 9323 | 313 | 173 | 2.83E-04 | GFL05 - 2A □□□ 056C22 MDSKA□□ 056-22 140 |
| 46 | 159 | 5.9 | 24.850 | 107 | 9322 | 128 | 9323 | 344 | 159 | 2.75E-04 | GFL05 - 2A □□□ 056C22 MDSKA□□ 056-22 140 |

Observe the notes for thermal dimensioning.



Selection tables - Shaft-mounted helical gearboxes

Naturally ventilated asynchronous geared servo motors

| M ₂ [Nm] | n ₂ trans [rpm] | c | i | M ₂ max short-time on geared motor at | | | | M ₂ Gr gearbox c=1 n ₁ ≤ 1400 rpm [Nm] | n ₂ therm [rpm] | J _{GM} referred to motor shaft [kgm ²] | Servo shaft-mounted helical geared motor Dimensions on Page 4-82 |
|------------------------|-------------------------------|-----|--------|---|-------------|----------------------------|-------------|--|-------------------------------|---|---|
| | | | | 8 kHz | | 16 kHz | | | | | |
| | | | | M ₂ max [Nm] | Type EVS | M ₂ max [Nm] | Type EVS | | | | |
| 52 | 141 | 4.8 | 28.000 | 121 | 9322 | 144 | 9323 | 314 | 141 | 2.73E-04 | GFLO5 - 2A □□□ 056C22 MDSKA□□ 056-22 140 |
| 60 | 122 | 4.5 | 32.344 | 140 | 9322 | 166 | 9323 | 345 | 122 | 2.60E-04 | GFLO5 - 2A □□□ 056C22 MDSKA□□ 056-22 140 |
| 69 | 108 | 3.7 | 36.444 | 157 | 9322 | 187 | 9323 | 316 | 108 | 2.60E-04 | GFLO5 - 2A □□□ 056C22 MDSKA□□ 056-22 140 |
| 76 | 98 | 3.6 | 40.233 | 174 | 9322 | 207 | 9323 | 345 | 98 | 2.55E-04 | GFLO5 - 2A □□□ 056C22 MDSKA□□ 056-22 140 |
| 86 | 87 | 3.0 | 45.333 | 196 | 9322 | 233 | 9323 | 319 | 87 | 2.54E-04 | GFLO5 - 2A □□□ 056C22 MDSKA□□ 056-22 140 |
| 99 | 76 | 2.5 | 52.067 | 225 | 9322 | 268 | 9323 | 309 | 76 | 2.49E-04 | GFLO5 - 2A □□□ 056C22 MDSKA□□ 056-22 140 |
| 112 | 67 | 2.3 | 58.667 | 253 | 9322 | 302 | 9323 | 322 | 67 | 2.49E-04 | GFLO5 - 2A □□□ 056C22 MDSKA□□ 056-22 140 |
| 121 | 63 | 1.9 | 63.190 | 273 | 9322 | 325 | 9323 | 282 | 63 | 2.47E-04 | GFLO5 - 2A □□□ 056C22 MDSKA□□ 056-22 140 |
| 137 | 55 | 2.0 | 71.200 | 307 | 9322 | 366 | 9323 | 305 | 55 | 2.46E-04 | GFLO5 - 2A □□□ 056C22 MDSKA□□ 056-22 140 |
| 24 | 633 | 5.0 | 6.400 | 78 | 9324 | 57 | 9324 | 173 | 621 | 9.12E-04 | GFLO5 - 2A □□□ 071C22 MDSKA□□ 071-22 140 |
| 33 | 450 | 5.5 | 9.010 | 110 | 9324 | 80 | 9324 | 266 | 433 | 9.25E-04 | GFLO5 - 2A □□□ 071C22 MDSKA□□ 071-22 140 |
| 37 | 407 | 5.1 | 9.946 | 122 | 9324 | 89 | 9324 | 275 | 388 | 9.19E-04 | GFLO5 - 2A □□□ 071C22 MDSKA□□ 071-22 140 |
| 42 | 357 | 4.5 | 11.360 | 139 | 9324 | 101 | 9324 | 278 | 305 | 9.38E-04 | GFLO5 - 2A □□□ 071C22 MDSKA□□ 071-22 140 |
| 48 | 316 | 4.1 | 12.800 | 157 | 9324 | 114 | 9324 | 285 | 266 | 9.31E-04 | GFLO5 - 2A □□□ 071C22 MDSKA□□ 071-22 140 |
| 55 | 279 | 3.8 | 14.538 | 178 | 9324 | 130 | 9324 | 301 | 253 | 9.05E-04 | GFLO5 - 2A □□□ 071C22 MDSKA□□ 071-22 140 |
| 60 | 255 | 3.6 | 15.904 | 194 | 9324 | 142 | 9324 | 310 | 237 | 8.90E-04 | GFLO5 - 2A □□□ 071C22 MDSKA□□ 071-22 140 |
| 68 | 226 | 3.2 | 17.920 | 219 | 9324 | 160 | 9324 | 312 | 206 | 8.91E-04 | GFLO5 - 2A □□□ 071C22 MDSKA□□ 071-22 140 |
| 77 | 200 | 3.0 | 20.286 | 248 | 9324 | 181 | 9324 | 333 | 200 | 8.73E-04 | GFLO5 - 2A □□□ 071C22 MDSKA□□ 071-22 140 |
| 87 | 177 | 2.5 | 22.857 | 279 | 9324 | 204 | 9324 | 313 | 177 | 8.73E-04 | GFLO5 - 2A □□□ 071C22 MDSKA□□ 071-22 140 |
| 95 | 163 | 2.9 | 24.850 | 304 | 9324 | 222 | 9324 | 344 | 163 | 8.65E-04 | GFLO5 - 2A □□□ 071C22 MDSKA□□ 071-22 140 |
| 107 | 145 | 2.4 | 28.000 | 342 | 9324 | 250 | 9324 | 314 | 145 | 8.63E-04 | GFLO5 - 2A □□□ 071C22 MDSKA□□ 071-22 140 |
| 124 | 125 | 2.2 | 32.344 | 395 | 9324 | 289 | 9324 | 345 | 125 | 8.50E-04 | GFLO5 - 2A □□□ 071C22 MDSKA□□ 071-22 140 |
| 140 | 111 | 1.8 | 36.444 | 446 | 9324 | 325 | 9324 | 316 | 111 | 8.50E-04 | GFLO5 - 2A □□□ 071C22 MDSKA□□ 071-22 140 |
| 155 | 101 | 1.8 | 40.233 | 492 | 9324 | 359 | 9324 | 345 | 101 | 8.45E-04 | GFLO5 - 2A □□□ 071C22 MDSKA□□ 071-22 140 |
| 175 | 89 | 1.5 | 45.333 | 479 | 9324 | 405 | 9324 | 319 | 89 | 8.44E-04 | GFLO5 - 2A □□□ 071C22 MDSKA□□ 071-22 140 |
| 28 | 438 | 5.2 | 4.571 | 67 | 9323 | 94 | 9324 | 170 | 438 | 2.13E-03 | GFLO5 - 2A □□□ 080C22 MDSKA□□ 080-22 70 |
| 35 | 353 | 5.7 | 5.667 | 83 | 9323 | 117 | 9324 | 233 | 353 | 2.15E-03 | GFLO5 - 2A □□□ 080C22 MDSKA□□ 080-22 70 |
| 40 | 313 | 3.8 | 6.400 | 94 | 9323 | 132 | 9324 | 173 | 313 | 2.00E-03 | GFLO5 - 2A □□□ 080C22 MDSKA□□ 080-22 70 |
| 44 | 284 | 4.9 | 7.040 | 103 | 9323 | 145 | 9324 | 248 | 284 | 2.07E-03 | GFLO5 - 2A □□□ 080C22 MDSKA□□ 080-22 70 |
| 49 | 257 | 4.6 | 7.771 | 114 | 9323 | 160 | 9324 | 258 | 257 | 2.07E-03 | GFLO5 - 2A □□□ 080C22 MDSKA□□ 080-22 70 |
| 57 | 222 | 4.1 | 9.010 | 132 | 9323 | 185 | 9324 | 266 | 222 | 2.02E-03 | GFLO5 - 2A □□□ 080C22 MDSKA□□ 080-22 70 |
| 63 | 201 | 3.9 | 9.946 | 146 | 9323 | 205 | 9324 | 275 | 201 | 2.01E-03 | GFLO5 - 2A □□□ 080C22 MDSKA□□ 080-22 70 |
| 72 | 176 | 3.4 | 11.360 | 166 | 9323 | 234 | 9324 | 278 | 176 | 2.03E-03 | GFLO5 - 2A □□□ 080C22 MDSKA□□ 080-22 70 |
| 81 | 156 | 3.1 | 12.800 | 188 | 9323 | 263 | 9324 | 285 | 156 | 2.02E-03 | GFLO5 - 2A □□□ 080C22 MDSKA□□ 080-22 70 |

Observe the notes for thermal dimensioning.

Selection tables - Shaft-mounted helical gearboxes

Naturally ventilated asynchronous geared servo motors



| M ₂ [Nm] | n _{2 trans} [rpm] | c | i | M _{2 max} short-time on geared motor at | | | | M _{2 Gr} gearbox c=1 n ₁ ≤ 1400 rpm [Nm] | n _{2 therm} [rpm] | J _{GM} referred to motor shaft [kgm ²] | Servo shaft-mounted helical geared motor Dimensions on Page 4-82 |
|------------------------|-------------------------------|------------|---------------|--|-------------|----------------------------|-------------|---|-------------------------------|--|---|
| | | | | 8 kHz | | 16 kHz | | | | | |
| | | | | M _{2 max} [Nm] | Type EVS | M _{2 max} [Nm] | Type EVS | | | | |
| 93 | 138 | 2.9 | 14.538 | 213 | 9323 | 299 | 9324 | 301 | 138 | 1.99E-03 | GFLO5 - 2A □□□ 080C22 MDSKA□□ 080-22 70 |
| 102 | 126 | 2.7 | 15.904 | 233 | 9323 | 327 | 9324 | 310 | 126 | 1.98E-03 | GFLO5 - 2A □□□ 080C22 MDSKA□□ 080-22 70 |
| 115 | 112 | 2.4 | 17.920 | 263 | 9323 | 369 | 9324 | 312 | 112 | 1.98E-03 | GFLO5 - 2A □□□ 080C22 MDSKA□□ 080-22 70 |
| 130 | 99 | 2.3 | 20.286 | 297 | 9323 | 417 | 9324 | 333 | 99 | 1.96E-03 | GFLO5 - 2A □□□ 080C22 MDSKA□□ 080-22 70 |
| 147 | 88 | 1.9 | 22.857 | 335 | 9323 | 470 | 9324 | 313 | 88 | 1.96E-03 | GFLO5 - 2A □□□ 080C22 MDSKA□□ 080-22 70 |
| 160 | 80 | 2.1 | 24.850 | 364 | 9323 | 511 | 9324 | 344 | 80 | 1.95E-03 | GFLO5 - 2A □□□ 080C22 MDSKA□□ 080-22 70 |
| 181 | 71 | 1.7 | 28.000 | 410 | 9323 | 471 | 9324 | 314 | 71 | 1.95E-03 | GFLO5 - 2A □□□ 080C22 MDSKA□□ 080-22 70 |
| 23 | 897 | 5.1 | 4.571 | 59 | 9324 | 85 | 9325 | 170 | 775 | 2.13E-03 | GFLO5 - 2A □□□ 080C22 MDSKA□□ 080-22 140 |
| 26 | 799 | 5.9 | 5.133 | 66 | 9324 | 95 | 9325 | 223 | 607 | 2.16E-03 | GFLO5 - 2A □□□ 080C22 MDSKA□□ 080-22 140 |
| 28 | 724 | 5.6 | 5.667 | 73 | 9324 | 105 | 9325 | 233 | 544 | 2.15E-03 | GFLO5 - 2A □□□ 080C22 MDSKA□□ 080-22 140 |
| 33 | 641 | 3.7 | 6.400 | 82 | 9324 | 119 | 9325 | 173 | 561 | 2.00E-03 | GFLO5 - 2A □□□ 080C22 MDSKA□□ 080-22 140 |
| 35 | 582 | 4.8 | 7.040 | 90 | 9324 | 131 | 9325 | 248 | 498 | 2.07E-03 | GFLO5 - 2A □□□ 080C22 MDSKA□□ 080-22 140 |
| 39 | 528 | 4.5 | 7.771 | 100 | 9324 | 144 | 9325 | 258 | 447 | 2.07E-03 | GFLO5 - 2A □□□ 080C22 MDSKA□□ 080-22 140 |
| 46 | 455 | 4.0 | 9.010 | 115 | 9324 | 167 | 9325 | 266 | 399 | 2.02E-03 | GFLO5 - 2A □□□ 080C22 MDSKA□□ 080-22 140 |
| 51 | 412 | 3.8 | 9.946 | 127 | 9324 | 184 | 9325 | 275 | 361 | 2.01E-03 | GFLO5 - 2A □□□ 080C22 MDSKA□□ 080-22 140 |
| 58 | 361 | 3.3 | 11.360 | 146 | 9324 | 211 | 9325 | 278 | 288 | 2.03E-03 | GFLO5 - 2A □□□ 080C22 MDSKA□□ 080-22 140 |
| 66 | 320 | 3.0 | 12.800 | 164 | 9324 | 237 | 9325 | 285 | 251 | 2.02E-03 | GFLO5 - 2A □□□ 080C22 MDSKA□□ 080-22 140 |
| 75 | 282 | 2.8 | 14.538 | 186 | 9324 | 269 | 9325 | 301 | 239 | 1.99E-03 | GFLO5 - 2A □□□ 080C22 MDSKA□□ 080-22 140 |
| 82 | 258 | 2.7 | 15.904 | 204 | 9324 | 295 | 9325 | 310 | 225 | 1.98E-03 | GFLO5 - 2A □□□ 080C22 MDSKA□□ 080-22 140 |
| 93 | 229 | 2.4 | 17.920 | 230 | 9324 | 332 | 9325 | 312 | 195 | 1.98E-03 | GFLO5 - 2A □□□ 080C22 MDSKA□□ 080-22 140 |
| 105 | 202 | 2.2 | 20.286 | 260 | 9324 | 376 | 9325 | 333 | 177 | 1.96E-03 | GFLO5 - 2A □□□ 080C22 MDSKA□□ 080-22 140 |
| 119 | 179 | 1.9 | 22.857 | 293 | 9324 | 424 | 9325 | 313 | 157 | 1.96E-03 | GFLO5 - 2A □□□ 080C22 MDSKA□□ 080-22 140 |
| 129 | 165 | 2.1 | 24.850 | 318 | 9324 | 461 | 9325 | 344 | 144 | 1.95E-03 | GFLO5 - 2A □□□ 080C22 MDSKA□□ 080-22 140 |
| 146 | 146 | 1.7 | 28.000 | 359 | 9324 | 471 | 9325 | 314 | 128 | 1.95E-03 | GFLO5 - 2A □□□ 080C22 MDSKA□□ 080-22 140 |
| 117 | 64 | 1.4 | 61.653 | 262 | 9322 | 311 | 9323 | 207 | 64 | 2.60E-04 | GFLO5 - 3A □□□ 056C22 MDSKA□□ 056-22 140 |
| 150 | 50 | 1.4 | 78.639 | 334 | 9322 | 338 | 9323 | 225 | 50 | 2.55E-04 | GFLO5 - 3A □□□ 056C22 MDSKA□□ 056-22 140 |
| 171 | 44 | 1.6 | 90.123 | 383 | 9322 | 454 | 9323 | 303 | 44 | 2.60E-04 | GFLO5 - 3A □□□ 056C22 MDSKA□□ 056-22 140 |
| 193 | 39 | 1.5 | 101.547 | 432 | 9322 | 492 | 9323 | 328 | 39 | 2.60E-04 | GFLO5 - 3A □□□ 056C22 MDSKA□□ 056-22 140 |
| 219 | 34 | 1.4 | 114.952 | 489 | 9322 | 493 | 9323 | 329 | 34 | 2.54E-04 | GFLO5 - 3A □□□ 056C22 MDSKA□□ 056-22 140 |
| 247 | 31 | 1.2 | 129.524 | 492 | 9322 | 492 | 9323 | 328 | 31 | 2.54E-04 | GFLO5 - 3A □□□ 056C22 MDSKA□□ 056-22 140 |
| 269 | 28 | 1.2 | 140.817 | 518 | 9322 | 518 | 9323 | 345 | 28 | 2.51E-04 | GFLO5 - 3A □□□ 056C22 MDSKA□□ 056-22 140 |
| 85 | 86 | 5.7 | 45.963 | 198 | 9322 | 236 | 9323 | 613 | 86 | 2.81E-04 | GFLO6 - 2A □□□ 056C22 MDSKA□□ 056-22 140 |
| 98 | 75 | 5.3 | 52.800 | 228 | 9322 | 272 | 9323 | 660 | 75 | 2.66E-04 | GFLO6 - 2A □□□ 056C22 MDSKA□□ 056-22 140 |
| 111 | 66 | 4.4 | 59.481 | 257 | 9322 | 306 | 9323 | 615 | 66 | 2.65E-04 | GFLO6 - 2A □□□ 056C22 MDSKA□□ 056-22 140 |

Observe the notes for thermal dimensioning.

Selection tables - Shaft-mounted helical gearboxes

Naturally ventilated asynchronous geared servo motors

| M ₂ [Nm] | n ₂ trans [rpm] | c | i | M ₂ max short-time on geared motor at | | | | M ₂ Gr gearbox c=1 n ₁ ≤ 1400 rpm [Nm] | n ₂ therm [rpm] | J _{GM} referred to motor shaft [kgm ²] | Servo shaft-mounted helical geared motor Dimensions on Page 4-82 |
|------------------------|-------------------------------|-----|--------|---|-------------|----------------------------|-------------|--|-------------------------------|---|---|
| | | | | 8 kHz | | 16 kHz | | | | | |
| | | | | M ₂ max [Nm] | Type EVS | M ₂ max [Nm] | Type EVS | | | | |
| 121 | 62 | 3.8 | 64.080 | 277 | 9322 | 330 | 9323 | 576 | 62 | 2.59E-04 | GFL06 - 2A □□□ 056C22 MDSKA□□ 056-22 140 |
| 136 | 55 | 4.0 | 72.189 | 312 | 9322 | 371 | 9323 | 616 | 55 | 2.59E-04 | GFL06 - 2A □□□ 056C22 MDSKA□□ 056-22 140 |
| 155 | 49 | 2.5 | 81.000 | 350 | 9322 | 417 | 9323 | 435 | 49 | 2.53E-04 | GFL06 - 2A □□□ 056C22 MDSKA□□ 056-22 140 |
| 174 | 43 | 2.5 | 91.250 | 394 | 9322 | 469 | 9323 | 476 | 43 | 2.52E-04 | GFL06 - 2A □□□ 056C22 MDSKA□□ 056-22 140 |
| 76 | 197 | 5.8 | 20.571 | 252 | 9324 | 184 | 9324 | 645 | 193 | 9.49E-04 | GFL06 - 2A □□□ 071C22 MDSKA□□ 071-22 140 |
| 86 | 175 | 4.8 | 23.175 | 283 | 9324 | 207 | 9324 | 604 | 166 | 9.43E-04 | GFL06 - 2A □□□ 071C22 MDSKA□□ 071-22 140 |
| 93 | 161 | 5.4 | 25.200 | 308 | 9324 | 225 | 9324 | 651 | 161 | 9.20E-04 | GFL06 - 2A □□□ 071C22 MDSKA□□ 071-22 140 |
| 106 | 143 | 4.5 | 28.389 | 347 | 9324 | 253 | 9324 | 607 | 143 | 9.16E-04 | GFL06 - 2A □□□ 071C22 MDSKA□□ 071-22 140 |
| 123 | 123 | 4.1 | 32.800 | 401 | 9324 | 293 | 9324 | 641 | 123 | 8.88E-04 | GFL06 - 2A □□□ 071C22 MDSKA□□ 071-22 140 |
| 140 | 110 | 3.5 | 36.951 | 452 | 9324 | 330 | 9324 | 611 | 110 | 8.86E-04 | GFL06 - 2A □□□ 071C22 MDSKA□□ 071-22 140 |
| 154 | 99 | 3.4 | 40.800 | 499 | 9324 | 364 | 9324 | 657 | 99 | 8.73E-04 | GFL06 - 2A □□□ 071C22 MDSKA□□ 071-22 140 |
| 175 | 88 | 2.8 | 45.963 | 562 | 9324 | 410 | 9324 | 613 | 88 | 8.71E-04 | GFL06 - 2A □□□ 071C22 MDSKA□□ 071-22 140 |
| 201 | 77 | 2.6 | 52.800 | 646 | 9324 | 471 | 9324 | 660 | 77 | 8.56E-04 | GFL06 - 2A □□□ 071C22 MDSKA□□ 071-22 140 |
| 228 | 68 | 2.2 | 59.481 | 727 | 9324 | 531 | 9324 | 615 | 68 | 8.55E-04 | GFL06 - 2A □□□ 071C22 MDSKA□□ 071-22 140 |
| 246 | 63 | 1.9 | 64.080 | 783 | 9324 | 572 | 9324 | 576 | 63 | 8.49E-04 | GFL06 - 2A □□□ 071C22 MDSKA□□ 071-22 140 |
| 277 | 56 | 2.0 | 72.189 | 883 | 9324 | 644 | 9324 | 616 | 56 | 8.49E-04 | GFL06 - 2A □□□ 071C22 MDSKA□□ 071-22 140 |
| 100 | 124 | 5.6 | 16.128 | 236 | 9323 | 332 | 9324 | 643 | 124 | 2.09E-03 | GFL06 - 2A □□□ 080C22 MDSKA□□ 080-22 70 |
| 114 | 110 | 4.6 | 18.169 | 266 | 9323 | 374 | 9324 | 600 | 110 | 2.08E-03 | GFL06 - 2A □□□ 080C22 MDSKA□□ 080-22 70 |
| 129 | 97 | 4.4 | 20.571 | 301 | 9323 | 423 | 9324 | 645 | 97 | 2.04E-03 | GFL06 - 2A □□□ 080C22 MDSKA□□ 080-22 70 |
| 147 | 86 | 3.6 | 23.175 | 340 | 9323 | 477 | 9324 | 604 | 86 | 2.03E-03 | GFL06 - 2A □□□ 080C22 MDSKA□□ 080-22 70 |
| 159 | 79 | 4.0 | 25.200 | 369 | 9323 | 518 | 9324 | 651 | 79 | 2.01E-03 | GFL06 - 2A □□□ 080C22 MDSKA□□ 080-22 70 |
| 180 | 70 | 3.3 | 28.389 | 416 | 9323 | 584 | 9324 | 607 | 70 | 2.01E-03 | GFL06 - 2A □□□ 080C22 MDSKA□□ 080-22 70 |
| 209 | 61 | 3.0 | 32.800 | 481 | 9323 | 675 | 9324 | 641 | 61 | 1.98E-03 | GFL06 - 2A □□□ 080C22 MDSKA□□ 080-22 70 |
| 236 | 54 | 2.5 | 36.951 | 541 | 9323 | 760 | 9324 | 611 | 54 | 1.98E-03 | GFL06 - 2A □□□ 080C22 MDSKA□□ 080-22 70 |
| 261 | 49 | 2.5 | 40.800 | 598 | 9323 | 839 | 9324 | 657 | 49 | 1.96E-03 | GFL06 - 2A □□□ 080C22 MDSKA□□ 080-22 70 |
| 296 | 44 | 2.1 | 45.963 | 673 | 9323 | 919 | 9324 | 613 | 44 | 1.96E-03 | GFL06 - 2A □□□ 080C22 MDSKA□□ 080-22 70 |
| 73 | 278 | 5.9 | 14.743 | 189 | 9324 | 273 | 9325 | 641 | 240 | 2.12E-03 | GFL06 - 2A □□□ 080C22 MDSKA□□ 080-22 140 |
| 81 | 254 | 5.4 | 16.128 | 207 | 9324 | 299 | 9325 | 643 | 223 | 2.09E-03 | GFL06 - 2A □□□ 080C22 MDSKA□□ 080-22 140 |
| 92 | 226 | 4.5 | 18.169 | 233 | 9324 | 337 | 9325 | 600 | 191 | 2.08E-03 | GFL06 - 2A □□□ 080C22 MDSKA□□ 080-22 140 |
| 104 | 199 | 4.3 | 20.571 | 264 | 9324 | 381 | 9325 | 645 | 175 | 2.04E-03 | GFL06 - 2A □□□ 080C22 MDSKA□□ 080-22 140 |
| 118 | 177 | 3.6 | 23.175 | 297 | 9324 | 430 | 9325 | 604 | 155 | 2.03E-03 | GFL06 - 2A □□□ 080C22 MDSKA□□ 080-22 140 |
| 128 | 163 | 4.0 | 25.200 | 323 | 9324 | 467 | 9325 | 651 | 142 | 2.01E-03 | GFL06 - 2A □□□ 080C22 MDSKA□□ 080-22 140 |
| 145 | 144 | 3.3 | 28.389 | 364 | 9324 | 526 | 9325 | 607 | 126 | 2.01E-03 | GFL06 - 2A □□□ 080C22 MDSKA□□ 080-22 140 |
| 168 | 125 | 3.0 | 32.800 | 420 | 9324 | 608 | 9325 | 641 | 109 | 1.98E-03 | GFL06 - 2A □□□ 080C22 MDSKA□□ 080-22 140 |

Observe the notes for thermal dimensioning.

Selection tables - Shaft-mounted helical gearboxes

Naturally ventilated asynchronous geared servo motors



| M ₂ [Nm] | n _{2 trans} [rpm] | c | i | M _{2 max} short-time on geared motor at | | | | M _{2 Gr} gearbox c=1 n ₁ ≤ 1400 rpm [Nm] | n _{2 therm} [rpm] | J _{GM} referred to motor shaft [kgm ²] | Servo shaft-mounted helical geared motor Dimensions on Page 4-82 |
|------------------------|-------------------------------|------------|---------------|--|-------------|----------------------------|-------------|---|-------------------------------|--|---|
| | | | | 8 kHz | | 16 kHz | | | | | |
| | | | | M _{2 max} [Nm] | Type EVS | M _{2 max} [Nm] | Type EVS | | | | |
| 190 | 111 | 2.6 | 36.951 | 473 | 9324 | 685 | 9325 | 611 | 97 | 1.98E-03 | GFL06 - 2A □□□ 080C22 MDSKA□□ 080-22 140 |
| 210 | 100 | 2.5 | 40.800 | 523 | 9324 | 756 | 9325 | 657 | 88 | 1.96E-03 | GFL06 - 2A □□□ 080C22 MDSKA□□ 080-22 140 |
| 238 | 89 | 2.1 | 45.963 | 589 | 9324 | 852 | 9325 | 613 | 78 | 1.96E-03 | GFL06 - 2A □□□ 080C22 MDSKA□□ 080-22 140 |
| 65 | 357 | 4.5 | 6.450 | 153 | 9324 | 216 | 9325 | 352 | 357 | 3.97E-03 | GFL06 - 2A □□□ 090C22 MDSKA□□ 090-22 80 |
| 72 | 322 | 5.0 | 7.147 | 169 | 9324 | 239 | 9325 | 433 | 322 | 4.00E-03 | GFL06 - 2A □□□ 090C22 MDSKA□□ 090-22 80 |
| 84 | 274 | 5.9 | 8.400 | 199 | 9324 | 281 | 9325 | 604 | 274 | 4.03E-03 | GFL06 - 2A □□□ 090C22 MDSKA□□ 090-22 80 |
| 95 | 243 | 5.1 | 9.463 | 224 | 9324 | 317 | 9325 | 581 | 243 | 3.99E-03 | GFL06 - 2A □□□ 090C22 MDSKA□□ 090-22 80 |
| 103 | 228 | 3.8 | 10.092 | 239 | 9324 | 338 | 9325 | 459 | 228 | 3.85E-03 | GFL06 - 2A □□□ 090C22 MDSKA□□ 090-22 80 |
| 116 | 200 | 4.5 | 11.520 | 273 | 9324 | 386 | 9325 | 632 | 200 | 3.77E-03 | GFL06 - 2A □□□ 090C22 MDSKA□□ 090-22 80 |
| 132 | 177 | 3.8 | 12.978 | 307 | 9324 | 434 | 9325 | 592 | 177 | 3.86E-03 | GFL06 - 2A □□□ 090C22 MDSKA□□ 090-22 80 |
| 150 | 156 | 3.6 | 14.743 | 349 | 9324 | 494 | 9325 | 641 | 156 | 3.80E-03 | GFL06 - 2A □□□ 090C22 MDSKA□□ 090-22 80 |
| 165 | 143 | 3.3 | 16.128 | 382 | 9324 | 540 | 9325 | 643 | 143 | 3.77E-03 | GFL06 - 2A □□□ 090C22 MDSKA□□ 090-22 80 |
| 187 | 127 | 2.7 | 18.169 | 430 | 9324 | 608 | 9325 | 600 | 127 | 3.76E-03 | GFL06 - 2A □□□ 090C22 MDSKA□□ 090-22 80 |
| 212 | 112 | 2.6 | 20.571 | 487 | 9324 | 689 | 9325 | 645 | 112 | 3.72E-03 | GFL06 - 2A □□□ 090C22 MDSKA□□ 090-22 80 |
| 240 | 99 | 2.2 | 23.175 | 549 | 9324 | 776 | 9325 | 604 | 99 | 3.71E-03 | GFL06 - 2A □□□ 090C22 MDSKA□□ 090-22 80 |
| 260 | 91 | 2.4 | 25.200 | 597 | 9324 | 844 | 9325 | 651 | 91 | 3.69E-03 | GFL06 - 2A □□□ 090C22 MDSKA□□ 090-22 80 |
| 294 | 81 | 2.0 | 28.389 | 672 | 9324 | 911 | 9325 | 607 | 81 | 3.69E-03 | GFL06 - 2A □□□ 090C22 MDSKA□□ 090-22 80 |
| 50 | 715 | 6.0 | 5.750 | 131 | 9325 | 156 | 9326 | 442 | 460 | 4.20E-03 | GFL06 - 2A □□□ 090C22 MDSKA□□ 090-22 140 |
| 57 | 637 | 4.2 | 6.450 | 146 | 9325 | 175 | 9326 | 352 | 482 | 3.97E-03 | GFL06 - 2A □□□ 090C22 MDSKA□□ 090-22 140 |
| 63 | 575 | 4.7 | 7.147 | 162 | 9325 | 194 | 9326 | 433 | 409 | 4.00E-03 | GFL06 - 2A □□□ 090C22 MDSKA□□ 090-22 140 |
| 74 | 489 | 5.6 | 8.400 | 191 | 9325 | 228 | 9326 | 604 | 311 | 4.03E-03 | GFL06 - 2A □□□ 090C22 MDSKA□□ 090-22 140 |
| 84 | 434 | 4.8 | 9.463 | 215 | 9325 | 257 | 9326 | 581 | 267 | 3.99E-03 | GFL06 - 2A □□□ 090C22 MDSKA□□ 090-22 140 |
| 91 | 407 | 3.5 | 10.092 | 229 | 9325 | 274 | 9326 | 459 | 308 | 3.85E-03 | GFL06 - 2A □□□ 090C22 MDSKA□□ 090-22 140 |
| 103 | 357 | 4.3 | 11.520 | 262 | 9325 | 313 | 9326 | 632 | 249 | 3.77E-03 | GFL06 - 2A □□□ 090C22 MDSKA□□ 090-22 140 |
| 116 | 317 | 3.5 | 12.978 | 295 | 9325 | 353 | 9326 | 592 | 213 | 3.86E-03 | GFL06 - 2A □□□ 090C22 MDSKA□□ 090-22 140 |
| 133 | 279 | 3.4 | 14.743 | 335 | 9325 | 401 | 9326 | 641 | 211 | 3.80E-03 | GFL06 - 2A □□□ 090C22 MDSKA□□ 090-22 140 |
| 145 | 255 | 3.1 | 16.128 | 366 | 9325 | 438 | 9326 | 643 | 193 | 3.77E-03 | GFL06 - 2A □□□ 090C22 MDSKA□□ 090-22 140 |
| 165 | 226 | 2.6 | 18.169 | 413 | 9325 | 494 | 9326 | 600 | 171 | 3.76E-03 | GFL06 - 2A □□□ 090C22 MDSKA□□ 090-22 140 |
| 187 | 200 | 2.4 | 20.571 | 467 | 9325 | 559 | 9326 | 645 | 151 | 3.72E-03 | GFL06 - 2A □□□ 090C22 MDSKA□□ 090-22 140 |
| 211 | 177 | 2.0 | 23.175 | 526 | 9325 | 630 | 9326 | 604 | 134 | 3.71E-03 | GFL06 - 2A □□□ 090C22 MDSKA□□ 090-22 140 |
| 229 | 163 | 2.3 | 25.200 | 572 | 9325 | 685 | 9326 | 651 | 123 | 3.69E-03 | GFL06 - 2A □□□ 090C22 MDSKA□□ 090-22 140 |
| 259 | 145 | 1.9 | 28.389 | 645 | 9325 | 771 | 9326 | 607 | 110 | 3.69E-03 | GFL06 - 2A □□□ 090C22 MDSKA□□ 090-22 140 |
| 123 | 60 | 3.6 | 66.213 | 282 | 9322 | 335 | 9323 | 497 | 60 | 2.69E-04 | GFL06 - 3A □□□ 056C22 MDSKA□□ 056-22 140 |
| 134 | 55 | 3.3 | 72.000 | 306 | 9322 | 365 | 9323 | 497 | 55 | 2.66E-04 | GFL06 - 3A □□□ 056C22 MDSKA□□ 056-22 140 |

Observe the notes for thermal dimensioning.

Selection tables - Shaft-mounted helical gearboxes

Naturally ventilated asynchronous geared servo motors

| M ₂ [Nm] | n ₂ trans [rpm] | c | i | M ₂ max short-time on geared motor at | | | | M ₂ Gr gearbox c=1 n ₁ ≤ 1400 rpm [Nm] | n ₂ therm [rpm] | J _{GM} referred to motor shaft [kgm ²] | Servo shaft-mounted helical geared motor Dimensions on Page 4-82 |
|------------------------|-------------------------------|-----|---------|---|-------------|----------------------------|-------------|--|-------------------------------|---|---|
| | | | | 8 kHz | | 16 kHz | | | | | |
| | | | | M ₂ max [Nm] | Type EVS | M ₂ max [Nm] | Type EVS | | | | |
| 152 | 49 | 2.9 | 81.111 | 345 | 9322 | 411 | 9323 | 497 | 49 | 2.66E-04 | GFL06 - 3A □□□ 056C22 MDSKA□□ 056-22 140 |
| 166 | 45 | 2.6 | 88.200 | 375 | 9322 | 447 | 9323 | 488 | 45 | 2.59E-04 | GFL06 - 3A □□□ 056C22 MDSKA□□ 056-22 140 |
| 187 | 40 | 2.6 | 99.361 | 423 | 9322 | 503 | 9323 | 550 | 40 | 2.59E-04 | GFL06 - 3A □□□ 056C22 MDSKA□□ 056-22 140 |
| 220 | 34 | 2.2 | 116.571 | 496 | 9322 | 590 | 9323 | 528 | 34 | 2.49E-04 | GFL06 - 3A □□□ 056C22 MDSKA□□ 056-22 140 |
| 248 | 30 | 2.2 | 131.323 | 559 | 9322 | 665 | 9323 | 595 | 30 | 2.61E-04 | GFL06 - 3A □□□ 056C22 MDSKA□□ 056-22 140 |
| 273 | 27 | 1.9 | 144.320 | 614 | 9322 | 731 | 9323 | 560 | 27 | 2.51E-04 | GFL06 - 3A □□□ 056C22 MDSKA□□ 056-22 140 |
| 308 | 24 | 1.8 | 162.583 | 691 | 9322 | 824 | 9323 | 613 | 24 | 2.51E-04 | GFL06 - 3A □□□ 056C22 MDSKA□□ 056-22 140 |
| 341 | 22 | 1.6 | 179.520 | 764 | 9322 | 908 | 9323 | 605 | 22 | 2.50E-04 | GFL06 - 3A □□□ 056C22 MDSKA□□ 056-22 140 |
| 385 | 20 | 1.4 | 202.237 | 860 | 9322 | 916 | 9323 | 611 | 20 | 2.50E-04 | GFL06 - 3A □□□ 056C22 MDSKA□□ 056-22 140 |
| 440 | 17 | 1.3 | 231.200 | 951 | 9322 | 951 | 9323 | 634 | 17 | 2.47E-04 | GFL06 - 3A □□□ 056C22 MDSKA□□ 056-22 140 |
| 497 | 15 | 1.1 | 260.457 | 919 | 9322 | 919 | 9323 | 613 | 15 | 2.47E-04 | GFL06 - 3A □□□ 056C22 MDSKA□□ 056-22 140 |
| 251 | 61 | 1.8 | 66.213 | 745 | 9324 | 582 | 9324 | 497 | 61 | 8.59E-04 | GFL06 - 3A □□□ 071C22 MDSKA□□ 071-22 140 |
| 273 | 56 | 1.6 | 72.000 | 745 | 9324 | 633 | 9324 | 497 | 56 | 8.56E-04 | GFL06 - 3A □□□ 071C22 MDSKA□□ 071-22 140 |
| 309 | 50 | 1.4 | 81.111 | 745 | 9324 | 713 | 9324 | 497 | 50 | 8.56E-04 | GFL06 - 3A □□□ 071C22 MDSKA□□ 071-22 140 |
| 336 | 46 | 1.3 | 88.200 | 732 | 9324 | 732 | 9324 | 488 | 46 | 8.49E-04 | GFL06 - 3A □□□ 071C22 MDSKA□□ 071-22 140 |
| 379 | 41 | 1.3 | 99.361 | 824 | 9324 | 824 | 9324 | 550 | 41 | 8.49E-04 | GFL06 - 3A □□□ 071C22 MDSKA□□ 071-22 140 |
| 502 | 31 | 1.1 | 131.323 | 893 | 9324 | 893 | 9324 | 595 | 31 | 8.51E-04 | GFL06 - 3A □□□ 071C22 MDSKA□□ 071-22 140 |
| 117 | 63 | 5.3 | 63.190 | 273 | 9322 | 325 | 9323 | 792 | 63 | 2.97E-04 | GFL07 - 2A □□□ 056C22 MDSKA□□ 056-22 140 |
| 131 | 55 | 5.9 | 71.200 | 307 | 9322 | 366 | 9323 | 893 | 55 | 2.96E-04 | GFL07 - 2A □□□ 056C22 MDSKA□□ 056-22 140 |
| 149 | 49 | 4.7 | 79.875 | 345 | 9322 | 411 | 9323 | 796 | 49 | 2.77E-04 | GFL07 - 2A □□□ 056C22 MDSKA□□ 056-22 140 |
| 168 | 44 | 4.7 | 90.000 | 389 | 9322 | 463 | 9323 | 897 | 44 | 2.76E-04 | GFL07 - 2A □□□ 056C22 MDSKA□□ 056-22 140 |
| 146 | 102 | 5.8 | 39.642 | 485 | 9324 | 354 | 9324 | 1093 | 102 | 9.55E-04 | GFL07 - 2A □□□ 071C22 MDSKA□□ 071-22 140 |
| 165 | 91 | 5.8 | 44.667 | 546 | 9324 | 399 | 9324 | 1231 | 91 | 9.50E-04 | GFL07 - 2A □□□ 071C22 MDSKA□□ 071-22 140 |
| 195 | 78 | 4.6 | 52.067 | 637 | 9324 | 465 | 9324 | 1127 | 78 | 9.08E-04 | GFL07 - 2A □□□ 071C22 MDSKA□□ 071-22 140 |
| 219 | 69 | 4.6 | 58.667 | 717 | 9324 | 524 | 9324 | 1270 | 69 | 9.05E-04 | GFL07 - 2A □□□ 071C22 MDSKA□□ 071-22 140 |
| 238 | 64 | 3.8 | 63.190 | 773 | 9324 | 564 | 9324 | 1145 | 64 | 8.87E-04 | GFL07 - 2A □□□ 071C22 MDSKA□□ 071-22 140 |
| 267 | 57 | 4.2 | 71.200 | 870 | 9324 | 636 | 9324 | 1280 | 57 | 8.86E-04 | GFL07 - 2A □□□ 071C22 MDSKA□□ 071-22 140 |
| 305 | 51 | 2.5 | 79.875 | 977 | 9324 | 713 | 9324 | 854 | 51 | 8.67E-04 | GFL07 - 2A □□□ 071C22 MDSKA□□ 071-22 140 |
| 344 | 45 | 2.4 | 90.000 | 1100 | 9324 | 803 | 9324 | 930 | 45 | 8.66E-04 | GFL07 - 2A □□□ 071C22 MDSKA□□ 071-22 140 |
| 226 | 55 | 5.3 | 36.444 | 534 | 9323 | 750 | 9324 | 1248 | 55 | 2.08E-03 | GFL07 - 2A □□□ 080C22 MDSKA□□ 080-22 70 |
| 246 | 50 | 5.3 | 39.642 | 581 | 9323 | 815 | 9324 | 1378 | 50 | 2.05E-03 | GFL07 - 2A □□□ 080C22 MDSKA□□ 080-22 70 |
| 280 | 45 | 4.3 | 44.667 | 654 | 9323 | 919 | 9324 | 1258 | 45 | 2.04E-03 | GFL07 - 2A □□□ 080C22 MDSKA□□ 080-22 70 |
| 328 | 38 | 4.0 | 52.067 | 763 | 9323 | 1071 | 9324 | 1342 | 38 | 2.00E-03 | GFL07 - 2A □□□ 080C22 MDSKA□□ 080-22 70 |
| 372 | 34 | 3.3 | 58.667 | 860 | 9323 | 1207 | 9324 | 1270 | 34 | 2.00E-03 | GFL07 - 2A □□□ 080C22 MDSKA□□ 080-22 70 |

Observe the notes for thermal dimensioning.

Selection tables - Shaft-mounted helical gearboxes

Naturally ventilated asynchronous geared servo motors



| M ₂ [Nm] | n _{2 trans} [rpm] | c | i | M _{2 max} short-time on geared motor at | | | | M _{2 Gr} gearbox c=1 n ₁ ≤ 1400 rpm [Nm] | n _{2 therm} [rpm] | J _{GM} referred to motor shaft [kgm ²] | Servo shaft-mounted helical geared motor Dimensions on Page 4-82 |
|------------------------|-------------------------------|-----|--------|---|-------------|----------------------------|-------------|--|-------------------------------|---|---|
| | | | | 8 kHz | | 16 kHz | | | | | |
| | | | | M _{2 max} [Nm] | Type EVS | M _{2 max} [Nm] | Type EVS | | | | |
| 402 | 32 | 3.0 | 63.190 | 926 | 9323 | 1300 | 9324 | 1240 | 32 | 1.98E-03 | GFLO7 - 2A □□□ 080C22 MDSKA□□ 080-22 70 |
| 454 | 28 | 2.8 | 71.200 | 1043 | 9323 | 1465 | 9324 | 1280 | 28 | 1.98E-03 | GFLO7 - 2A □□□ 080C22 MDSKA□□ 080-22 70 |
| 182 | 113 | 5.3 | 36.444 | 467 | 9324 | 675 | 9325 | 1248 | 99 | 2.08E-03 | GFLO7 - 2A □□□ 080C22 MDSKA□□ 080-22 140 |
| 198 | 103 | 5.4 | 39.642 | 508 | 9324 | 735 | 9325 | 1378 | 91 | 2.05E-03 | GFLO7 - 2A □□□ 080C22 MDSKA□□ 080-22 140 |
| 226 | 92 | 4.4 | 44.667 | 572 | 9324 | 828 | 9325 | 1258 | 80 | 2.04E-03 | GFLO7 - 2A □□□ 080C22 MDSKA□□ 080-22 140 |
| 264 | 79 | 4.0 | 52.067 | 667 | 9324 | 965 | 9325 | 1342 | 69 | 2.00E-03 | GFLO7 - 2A □□□ 080C22 MDSKA□□ 080-22 140 |
| 300 | 70 | 3.4 | 58.667 | 751 | 9324 | 1087 | 9325 | 1270 | 61 | 2.00E-03 | GFLO7 - 2A □□□ 080C22 MDSKA□□ 080-22 140 |
| 324 | 65 | 3.0 | 63.190 | 809 | 9324 | 1171 | 9325 | 1240 | 57 | 1.98E-03 | GFLO7 - 2A □□□ 080C22 MDSKA□□ 080-22 140 |
| 365 | 58 | 3.1 | 71.200 | 912 | 9324 | 1319 | 9325 | 1280 | 50 | 1.98E-03 | GFLO7 - 2A □□□ 080C22 MDSKA□□ 080-22 140 |
| 179 | 128 | 5.5 | 17.920 | 424 | 9324 | 600 | 9325 | 1189 | 128 | 4.10E-03 | GFLO7 - 2A □□□ 090C22 MDSKA□□ 090-22 80 |
| 203 | 113 | 5.2 | 20.286 | 480 | 9324 | 679 | 9325 | 1262 | 113 | 3.95E-03 | GFLO7 - 2A □□□ 090C22 MDSKA□□ 090-22 80 |
| 231 | 101 | 4.5 | 22.857 | 541 | 9324 | 765 | 9325 | 1240 | 101 | 3.93E-03 | GFLO7 - 2A □□□ 090C22 MDSKA□□ 090-22 80 |
| 249 | 93 | 5.1 | 24.850 | 588 | 9324 | 832 | 9325 | 1337 | 93 | 3.86E-03 | GFLO7 - 2A □□□ 090C22 MDSKA□□ 090-22 80 |
| 284 | 82 | 4.2 | 28.000 | 663 | 9324 | 937 | 9325 | 1242 | 82 | 3.85E-03 | GFLO7 - 2A □□□ 090C22 MDSKA□□ 090-22 80 |
| 328 | 71 | 4.0 | 32.344 | 766 | 9324 | 1083 | 9325 | 1370 | 71 | 3.77E-03 | GFLO7 - 2A □□□ 090C22 MDSKA□□ 090-22 80 |
| 373 | 63 | 3.2 | 36.444 | 863 | 9324 | 1220 | 9325 | 1248 | 63 | 3.76E-03 | GFLO7 - 2A □□□ 090C22 MDSKA□□ 090-22 80 |
| 406 | 58 | 3.3 | 39.642 | 939 | 9324 | 1327 | 9325 | 1378 | 58 | 3.73E-03 | GFLO7 - 2A □□□ 090C22 MDSKA□□ 090-22 80 |
| 460 | 51 | 2.6 | 44.667 | 1057 | 9324 | 1495 | 9325 | 1258 | 51 | 3.72E-03 | GFLO7 - 2A □□□ 090C22 MDSKA□□ 090-22 80 |
| 139 | 258 | 5.7 | 15.904 | 361 | 9325 | 432 | 9326 | 1179 | 191 | 4.13E-03 | GFLO7 - 2A □□□ 090C22 MDSKA□□ 090-22 140 |
| 158 | 229 | 5.1 | 17.920 | 407 | 9325 | 487 | 9326 | 1189 | 166 | 4.10E-03 | GFLO7 - 2A □□□ 090C22 MDSKA□□ 090-22 140 |
| 180 | 203 | 4.8 | 20.286 | 461 | 9325 | 551 | 9326 | 1262 | 153 | 3.95E-03 | GFLO7 - 2A □□□ 090C22 MDSKA□□ 090-22 140 |
| 204 | 180 | 4.2 | 22.857 | 519 | 9325 | 621 | 9326 | 1240 | 136 | 3.93E-03 | GFLO7 - 2A □□□ 090C22 MDSKA□□ 090-22 140 |
| 220 | 165 | 4.7 | 24.850 | 564 | 9325 | 675 | 9326 | 1337 | 125 | 3.86E-03 | GFLO7 - 2A □□□ 090C22 MDSKA□□ 090-22 140 |
| 250 | 147 | 3.9 | 28.000 | 636 | 9325 | 761 | 9326 | 1242 | 111 | 3.85E-03 | GFLO7 - 2A □□□ 090C22 MDSKA□□ 090-22 140 |
| 290 | 127 | 3.7 | 32.344 | 734 | 9325 | 879 | 9326 | 1370 | 96 | 3.77E-03 | GFLO7 - 2A □□□ 090C22 MDSKA□□ 090-22 140 |
| 329 | 113 | 3.0 | 36.444 | 827 | 9325 | 990 | 9326 | 1248 | 85 | 3.76E-03 | GFLO7 - 2A □□□ 090C22 MDSKA□□ 090-22 140 |
| 358 | 104 | 3.1 | 39.642 | 900 | 9325 | 1077 | 9326 | 1378 | 78 | 3.73E-03 | GFLO7 - 2A □□□ 090C22 MDSKA□□ 090-22 140 |
| 405 | 92 | 2.5 | 44.667 | 1014 | 9325 | 1213 | 9326 | 1258 | 70 | 3.72E-03 | GFLO7 - 2A □□□ 090C22 MDSKA□□ 090-22 140 |
| 96 | 366 | 5.6 | 6.400 | 293 | 9325 | 210 | 9325 | 662 | 366 | 8.18E-03 | GFLO7 - 2A □□□ 100C22 MDSKA□□ 100-22 80 |
| 141 | 249 | 5.8 | 9.379 | 430 | 9325 | 308 | 9325 | 999 | 241 | 8.40E-03 | GFLO7 - 2A □□□ 100C22 MDSKA□□ 100-22 80 |
| 147 | 241 | 5.4 | 9.714 | 445 | 9325 | 319 | 9325 | 969 | 241 | 8.00E-03 | GFLO7 - 2A □□□ 100C22 MDSKA□□ 100-22 80 |
| 175 | 203 | 5.1 | 11.538 | 528 | 9325 | 378 | 9325 | 1080 | 203 | 8.05E-03 | GFLO7 - 2A □□□ 100C22 MDSKA□□ 100-22 80 |
| 198 | 180 | 4.6 | 13.000 | 595 | 9325 | 426 | 9325 | 1089 | 180 | 8.00E-03 | GFLO7 - 2A □□□ 100C22 MDSKA□□ 100-22 80 |
| 217 | 165 | 4.4 | 14.200 | 650 | 9325 | 466 | 9325 | 1143 | 165 | 7.84E-03 | GFLO7 - 2A □□□ 100C22 MDSKA□□ 100-22 80 |

Observe the notes for thermal dimensioning.

Selection tables - Shaft-mounted helical gearboxes

Naturally ventilated asynchronous geared servo motors

| M ₂ [Nm] | n _{2 trans} [rpm] | c | i | M _{2 max} short-time on geared motor at | | | | M _{2 Gr} gearbox c=1 n ₁ ≤ 1400 rpm [Nm] | n _{2 therm} [rpm] | J _{GM} referred to motor shaft [kgm ²] | Servo shaft-mounted helical geared motor Dimensions on Page 4-82 |
|------------------------|-------------------------------|-----|--------|---|-------------|----------------------------|-------------|--|-------------------------------|---|---|
| | | | | 8 kHz | | 16 kHz | | | | | |
| | | | | M _{2 max} [Nm] | Type EVS | M _{2 max} [Nm] | Type EVS | | | | |
| 244 | 147 | 4.0 | 15.904 | 728 | 9325 | 522 | 9325 | 1179 | 147 | 7.73E-03 | GFL07 - 2A □□□ 100C22 MDSKA□□ 100-22 80 |
| 276 | 131 | 3.6 | 17.920 | 821 | 9325 | 588 | 9325 | 1189 | 131 | 7.70E-03 | GFL07 - 2A □□□ 100C22 MDSKA□□ 100-22 80 |
| 313 | 115 | 3.4 | 20.286 | 929 | 9325 | 665 | 9325 | 1262 | 115 | 7.55E-03 | GFL07 - 2A □□□ 100C22 MDSKA□□ 100-22 80 |
| 354 | 102 | 3.0 | 22.857 | 1047 | 9325 | 750 | 9325 | 1240 | 102 | 7.53E-03 | GFL07 - 2A □□□ 100C22 MDSKA□□ 100-22 80 |
| 384 | 94 | 3.3 | 24.850 | 1138 | 9325 | 815 | 9325 | 1337 | 94 | 7.46E-03 | GFL07 - 2A □□□ 100C22 MDSKA□□ 100-22 80 |
| 435 | 84 | 2.7 | 28.000 | 1282 | 9325 | 918 | 9325 | 1242 | 84 | 7.45E-03 | GFL07 - 2A □□□ 100C22 MDSKA□□ 100-22 80 |
| 128 | 360 | 5.7 | 11.538 | 485 | 9326 | 289 | 9326 | 1080 | 212 | 8.05E-03 | GFL07 - 2A □□□ 100C22 MDSKA□□ 100-22 140 |
| 145 | 319 | 5.1 | 13.000 | 546 | 9326 | 325 | 9326 | 1089 | 188 | 8.00E-03 | GFL07 - 2A □□□ 100C22 MDSKA□□ 100-22 140 |
| 159 | 292 | 4.9 | 14.200 | 597 | 9326 | 356 | 9326 | 1143 | 172 | 7.84E-03 | GFL07 - 2A □□□ 100C22 MDSKA□□ 100-22 140 |
| 178 | 261 | 4.5 | 15.904 | 668 | 9326 | 398 | 9326 | 1179 | 154 | 7.73E-03 | GFL07 - 2A □□□ 100C22 MDSKA□□ 100-22 140 |
| 202 | 232 | 4.1 | 17.920 | 753 | 9326 | 449 | 9326 | 1189 | 137 | 7.70E-03 | GFL07 - 2A □□□ 100C22 MDSKA□□ 100-22 140 |
| 229 | 205 | 3.8 | 20.286 | 852 | 9326 | 508 | 9326 | 1262 | 121 | 7.55E-03 | GFL07 - 2A □□□ 100C22 MDSKA□□ 100-22 140 |
| 260 | 182 | 3.3 | 22.857 | 960 | 9326 | 572 | 9326 | 1240 | 107 | 7.53E-03 | GFL07 - 2A □□□ 100C22 MDSKA□□ 100-22 140 |
| 281 | 167 | 3.7 | 24.850 | 1044 | 9326 | 622 | 9326 | 1337 | 99 | 7.46E-03 | GFL07 - 2A □□□ 100C22 MDSKA□□ 100-22 140 |
| 319 | 148 | 3.1 | 28.000 | 1176 | 9326 | 701 | 9326 | 1242 | 87 | 7.45E-03 | GFL07 - 2A □□□ 100C22 MDSKA□□ 100-22 140 |
| 106 | 536 | 5.0 | 4.643 | 351 | 9326 | 251 | 9326 | 653 | 434 | 1.92E-02 | GFL07 - 2A □□□ 112C22 MDSKA□□ 112-22 85 |
| 117 | 483 | 5.8 | 5.159 | 390 | 9326 | 279 | 9326 | 850 | 390 | 1.91E-02 | GFL07 - 2A □□□ 112C22 MDSKA□□ 112-22 85 |
| 129 | 437 | 5.7 | 5.695 | 431 | 9326 | 308 | 9326 | 914 | 354 | 1.98E-02 | GFL07 - 2A □□□ 112C22 MDSKA□□ 112-22 85 |
| 149 | 389 | 3.7 | 6.400 | 484 | 9326 | 347 | 9326 | 662 | 315 | 1.90E-02 | GFL07 - 2A □□□ 112C22 MDSKA□□ 112-22 85 |
| 164 | 348 | 4.5 | 7.150 | 541 | 9326 | 387 | 9326 | 918 | 282 | 1.92E-02 | GFL07 - 2A □□□ 112C22 MDSKA□□ 112-22 85 |
| 192 | 299 | 4.2 | 8.324 | 630 | 9326 | 451 | 9326 | 993 | 242 | 1.93E-02 | GFL07 - 2A □□□ 112C22 MDSKA□□ 112-22 85 |
| 217 | 265 | 3.8 | 9.379 | 710 | 9326 | 508 | 9326 | 999 | 215 | 1.92E-02 | GFL07 - 2A □□□ 112C22 MDSKA□□ 112-22 85 |
| 226 | 256 | 3.5 | 9.714 | 735 | 9326 | 526 | 9326 | 969 | 207 | 1.88E-02 | GFL07 - 2A □□□ 112C22 MDSKA□□ 112-22 85 |
| 269 | 216 | 3.3 | 11.538 | 873 | 9326 | 625 | 9326 | 1080 | 175 | 1.89E-02 | GFL07 - 2A □□□ 112C22 MDSKA□□ 112-22 85 |
| 304 | 192 | 3.0 | 13.000 | 984 | 9326 | 704 | 9326 | 1089 | 155 | 1.88E-02 | GFL07 - 2A □□□ 112C22 MDSKA□□ 112-22 85 |
| 332 | 175 | 2.8 | 14.200 | 1075 | 9326 | 769 | 9326 | 1143 | 142 | 1.86E-02 | GFL07 - 2A □□□ 112C22 MDSKA□□ 112-22 85 |
| 373 | 157 | 2.6 | 15.904 | 1204 | 9326 | 861 | 9326 | 1179 | 127 | 1.85E-02 | GFL07 - 2A □□□ 112C22 MDSKA□□ 112-22 85 |
| 422 | 139 | 2.3 | 17.920 | 1356 | 9326 | 970 | 9326 | 1189 | 112 | 1.85E-02 | GFL07 - 2A □□□ 112C22 MDSKA□□ 112-22 85 |
| 102 | 650 | 4.5 | 6.400 | 273 | 9326 | 233 | 9327 | 662 | 315 | 1.90E-02 | GFL07 - 2A □□□ 112C22 MDSKA□□ 112-22 140 |
| 112 | 582 | 5.5 | 7.150 | 305 | 9326 | 260 | 9327 | 918 | 282 | 1.92E-02 | GFL07 - 2A □□□ 112C22 MDSKA□□ 112-22 140 |
| 131 | 500 | 5.1 | 8.324 | 355 | 9326 | 303 | 9327 | 993 | 242 | 1.93E-02 | GFL07 - 2A □□□ 112C22 MDSKA□□ 112-22 140 |
| 149 | 444 | 4.6 | 9.379 | 400 | 9326 | 341 | 9327 | 999 | 215 | 1.92E-02 | GFL07 - 2A □□□ 112C22 MDSKA□□ 112-22 140 |
| 155 | 428 | 4.3 | 9.714 | 414 | 9326 | 353 | 9327 | 969 | 207 | 1.88E-02 | GFL07 - 2A □□□ 112C22 MDSKA□□ 112-22 140 |
| 184 | 361 | 4.0 | 11.538 | 491 | 9326 | 420 | 9327 | 1080 | 175 | 1.89E-02 | GFL07 - 2A □□□ 112C22 MDSKA□□ 112-22 140 |

Observe the notes for thermal dimensioning.

Selection tables - Shaft-mounted helical gearboxes

Naturally ventilated asynchronous geared servo motors



| M ₂ [Nm] | n _{2 trans} [rpm] | c | i | M _{2 max} short-time on geared motor at | | | | M _{2 Gr} gearbox c=1 n ₁ ≤ 1400 rpm [Nm] | n _{2 therm} [rpm] | J _{GM} referred to motor shaft [kgm ²] | Servo shaft-mounted helical geared motor Dimensions on Page 4-82 |
|------------------------|-------------------------------|------------|---------------|--|-------------|----------------------------|-------------|---|-------------------------------|--|---|
| | | | | 8 kHz | | 16 kHz | | | | | |
| | | | | M _{2 max} [Nm] | Type EVS | M _{2 max} [Nm] | Type EVS | | | | |
| 209 | 320 | 3.6 | 13.000 | 554 | 9326 | 473 | 9327 | 1089 | 155 | 1.88E-02 | GFL07 - 2A □□□ 112C22 MDSKA□□ 112-22 140 |
| 228 | 293 | 3.5 | 14.200 | 605 | 9326 | 517 | 9327 | 1143 | 142 | 1.86E-02 | GFL07 - 2A □□□ 112C22 MDSKA□□ 112-22 140 |
| 256 | 262 | 3.2 | 15.904 | 677 | 9326 | 579 | 9327 | 1179 | 127 | 1.85E-02 | GFL07 - 2A □□□ 112C22 MDSKA□□ 112-22 140 |
| 290 | 232 | 2.9 | 17.920 | 763 | 9326 | 652 | 9327 | 1189 | 112 | 1.85E-02 | GFL07 - 2A □□□ 112C22 MDSKA□□ 112-22 140 |
| 132 | 55 | 5.7 | 72.452 | 308 | 9322 | 367 | 9323 | 869 | 55 | 3.29E-04 | GFL07 - 3A □□□ 056C22 MDSKA□□ 056-22 140 |
| 148 | 48 | 5.7 | 81.636 | 347 | 9322 | 414 | 9323 | 979 | 48 | 3.28E-04 | GFL07 - 3A □□□ 056C22 MDSKA□□ 056-22 140 |
| 169 | 43 | 5.0 | 92.413 | 393 | 9322 | 468 | 9323 | 961 | 43 | 3.01E-04 | GFL07 - 3A □□□ 056C22 MDSKA□□ 056-22 140 |
| 191 | 38 | 5.0 | 104.127 | 443 | 9322 | 527 | 9323 | 1082 | 38 | 3.00E-04 | GFL07 - 3A □□□ 056C22 MDSKA□□ 056-22 140 |
| 209 | 35 | 4.4 | 113.206 | 481 | 9322 | 573 | 9323 | 1040 | 35 | 2.85E-04 | GFL07 - 3A □□□ 056C22 MDSKA□□ 056-22 140 |
| 235 | 31 | 4.4 | 127.556 | 543 | 9322 | 646 | 9323 | 1171 | 31 | 2.84E-04 | GFL07 - 3A □□□ 056C22 MDSKA□□ 056-22 140 |
| 274 | 27 | 3.7 | 147.347 | 627 | 9322 | 746 | 9323 | 1140 | 27 | 2.67E-04 | GFL07 - 3A □□□ 056C22 MDSKA□□ 056-22 140 |
| 309 | 24 | 3.6 | 166.025 | 706 | 9322 | 841 | 9323 | 1248 | 24 | 2.67E-04 | GFL07 - 3A □□□ 056C22 MDSKA□□ 056-22 140 |
| 342 | 22 | 3.2 | 183.285 | 780 | 9322 | 928 | 9323 | 1236 | 22 | 2.59E-04 | GFL07 - 3A □□□ 056C22 MDSKA□□ 056-22 140 |
| 387 | 19 | 2.9 | 206.519 | 878 | 9322 | 1046 | 9323 | 1248 | 19 | 2.59E-04 | GFL07 - 3A □□□ 056C22 MDSKA□□ 056-22 140 |
| 421 | 18 | 2.9 | 224.636 | 955 | 9322 | 1138 | 9323 | 1343 | 18 | 2.58E-04 | GFL07 - 3A □□□ 056C22 MDSKA□□ 056-22 140 |
| 477 | 16 | 2.4 | 253.111 | 1076 | 9322 | 1282 | 9323 | 1258 | 16 | 2.58E-04 | GFL07 - 3A □□□ 056C22 MDSKA□□ 056-22 140 |
| 548 | 14 | 2.3 | 290.706 | 1236 | 9322 | 1472 | 9323 | 1378 | 14 | 2.51E-04 | GFL07 - 3A □□□ 056C22 MDSKA□□ 056-22 140 |
| 621 | 12 | 1.8 | 327.556 | 1393 | 9322 | 1659 | 9323 | 1258 | 12 | 2.51E-04 | GFL07 - 3A □□□ 056C22 MDSKA□□ 056-22 140 |
| 668 | 11 | 1.9 | 352.811 | 1500 | 9322 | 1787 | 9323 | 1378 | 11 | 2.48E-04 | GFL07 - 3A □□□ 056C22 MDSKA□□ 056-22 140 |
| 756 | 9.9 | 1.5 | 397.533 | 1691 | 9322 | 1887 | 9323 | 1258 | 9.9 | 2.48E-04 | GFL07 - 3A □□□ 056C22 MDSKA□□ 056-22 140 |
| 819 | 9.2 | 1.4 | 430.222 | 1830 | 9322 | 1905 | 9323 | 1270 | 9.2 | 2.50E-04 | GFL07 - 3A □□□ 056C22 MDSKA□□ 056-22 140 |
| 996 | 7.6 | 1.2 | 522.133 | 1905 | 9322 | 1905 | 9323 | 1270 | 7.6 | 2.48E-04 | GFL07 - 3A □□□ 056C22 MDSKA□□ 056-22 140 |
| 244 | 62 | 3.2 | 65.306 | 786 | 9324 | 574 | 9324 | 883 | 62 | 9.09E-04 | GFL07 - 3A □□□ 071C22 MDSKA□□ 071-22 140 |
| 272 | 56 | 2.8 | 72.452 | 872 | 9324 | 637 | 9324 | 869 | 56 | 9.19E-04 | GFL07 - 3A □□□ 071C22 MDSKA□□ 071-22 140 |
| 306 | 50 | 2.8 | 81.636 | 983 | 9324 | 718 | 9324 | 979 | 50 | 9.18E-04 | GFL07 - 3A □□□ 071C22 MDSKA□□ 071-22 140 |
| 348 | 44 | 2.5 | 92.413 | 1113 | 9324 | 813 | 9324 | 961 | 44 | 8.91E-04 | GFL07 - 3A □□□ 071C22 MDSKA□□ 071-22 140 |
| 392 | 39 | 2.5 | 104.127 | 1254 | 9324 | 916 | 9324 | 1082 | 39 | 8.90E-04 | GFL07 - 3A □□□ 071C22 MDSKA□□ 071-22 140 |
| 427 | 36 | 2.2 | 113.206 | 1363 | 9324 | 995 | 9324 | 1040 | 36 | 8.75E-04 | GFL07 - 3A □□□ 071C22 MDSKA□□ 071-22 140 |
| 482 | 32 | 2.2 | 127.556 | 1536 | 9324 | 1122 | 9324 | 1171 | 32 | 8.74E-04 | GFL07 - 3A □□□ 071C22 MDSKA□□ 071-22 140 |
| 558 | 27 | 1.8 | 147.347 | 1710 | 9324 | 1296 | 9324 | 1140 | 27 | 8.57E-04 | GFL07 - 3A □□□ 071C22 MDSKA□□ 071-22 140 |
| 629 | 24 | 1.8 | 166.025 | 1872 | 9324 | 1460 | 9324 | 1248 | 24 | 8.57E-04 | GFL07 - 3A □□□ 071C22 MDSKA□□ 071-22 140 |
| 696 | 22 | 1.6 | 183.285 | 1853 | 9324 | 1612 | 9324 | 1236 | 22 | 8.49E-04 | GFL07 - 3A □□□ 071C22 MDSKA□□ 071-22 140 |
| 786 | 20 | 1.4 | 206.519 | 1872 | 9324 | 1816 | 9324 | 1248 | 20 | 8.49E-04 | GFL07 - 3A □□□ 071C22 MDSKA□□ 071-22 140 |
| 855 | 18 | 1.4 | 224.636 | 2015 | 9324 | 1975 | 9324 | 1343 | 18 | 8.48E-04 | GFL07 - 3A □□□ 071C22 MDSKA□□ 071-22 140 |

Observe the notes for thermal dimensioning.

Selection tables - Shaft-mounted helical gearboxes

Naturally ventilated asynchronous geared servo motors

| M ₂ [Nm] | n ₂ trans [rpm] | c | i | M ₂ max short-time on geared motor at | | | | M ₂ Gr gearbox c=1 n ₁ ≤ 1400 rpm [Nm] | n ₂ therm [rpm] | J _G M referred to motor shaft [kgm ²] | Servo shaft-mounted helical geared motor Dimensions on Page 4-82 |
|------------------------|-------------------------------|-----|---------|---|-------------|----------------------------|-------------|--|-------------------------------|--|---|
| | | | | 8 kHz | | 16 kHz | | | | | |
| | | | | M ₂ max [Nm] | Type EVS | M ₂ max [Nm] | Type EVS | | | | |
| 966 | 16 | 1.2 | 253.111 | 1887 | 9324 | 1887 | 9324 | 1258 | 16 | 8.48E-04 | GFL07 - 3A □□□ 071C22 MDSKA□□ 071-22 140 |
| 413 | 31 | 2.1 | 65.306 | 942 | 9323 | 1323 | 9324 | 883 | 31 | 2.00E-03 | GFL07 - 3A □□□ 080C22 MDSKA□□ 080-22 70 |
| 460 | 28 | 1.9 | 72.452 | 1046 | 9323 | 1303 | 9324 | 869 | 28 | 2.01E-03 | GFL07 - 3A □□□ 080C22 MDSKA□□ 080-22 70 |
| 518 | 25 | 1.9 | 81.636 | 1178 | 9323 | 1468 | 9324 | 979 | 25 | 2.01E-03 | GFL07 - 3A □□□ 080C22 MDSKA□□ 080-22 70 |
| 588 | 22 | 1.6 | 92.413 | 1334 | 9323 | 1441 | 9324 | 961 | 22 | 1.98E-03 | GFL07 - 3A □□□ 080C22 MDSKA□□ 080-22 70 |
| 662 | 19 | 1.6 | 104.127 | 1503 | 9323 | 1624 | 9324 | 1082 | 19 | 1.98E-03 | GFL07 - 3A □□□ 080C22 MDSKA□□ 080-22 70 |
| 722 | 18 | 1.4 | 113.206 | 1559 | 9323 | 1559 | 9324 | 1040 | 18 | 1.96E-03 | GFL07 - 3A □□□ 080C22 MDSKA□□ 080-22 70 |
| 813 | 16 | 1.4 | 127.556 | 1757 | 9323 | 1757 | 9324 | 1171 | 16 | 1.96E-03 | GFL07 - 3A □□□ 080C22 MDSKA□□ 080-22 70 |
| 332 | 63 | 2.4 | 65.306 | 824 | 9324 | 1192 | 9325 | 883 | 55 | 2.00E-03 | GFL07 - 3A □□□ 080C22 MDSKA□□ 080-22 140 |
| 370 | 57 | 2.1 | 72.452 | 914 | 9324 | 1303 | 9325 | 869 | 50 | 2.01E-03 | GFL07 - 3A □□□ 080C22 MDSKA□□ 080-22 140 |
| 416 | 50 | 2.1 | 81.636 | 1030 | 9324 | 1468 | 9325 | 979 | 44 | 2.01E-03 | GFL07 - 3A □□□ 080C22 MDSKA□□ 080-22 140 |
| 473 | 44 | 1.8 | 92.413 | 1166 | 9324 | 1441 | 9325 | 961 | 39 | 1.98E-03 | GFL07 - 3A □□□ 080C22 MDSKA□□ 080-22 140 |
| 533 | 39 | 1.8 | 104.127 | 1314 | 9324 | 1624 | 9325 | 1082 | 34 | 1.98E-03 | GFL07 - 3A □□□ 080C22 MDSKA□□ 080-22 140 |
| 581 | 36 | 1.6 | 113.206 | 1428 | 9324 | 1559 | 9325 | 1040 | 32 | 1.96E-03 | GFL07 - 3A □□□ 080C22 MDSKA□□ 080-22 140 |
| 654 | 32 | 1.6 | 127.556 | 1609 | 9324 | 1757 | 9325 | 1171 | 28 | 1.96E-03 | GFL07 - 3A □□□ 080C22 MDSKA□□ 080-22 140 |
| 318 | 39 | 5.5 | 51.333 | 752 | 9323 | 1056 | 9324 | 1825 | 39 | 2.18E-03 | GFL09 - 2A □□□ 080C22 MDSKA□□ 080-22 70 |
| 359 | 35 | 5.5 | 57.852 | 848 | 9323 | 1190 | 9324 | 2057 | 35 | 2.17E-03 | GFL09 - 2A □□□ 080C22 MDSKA□□ 080-22 70 |
| 390 | 32 | 4.6 | 62.300 | 913 | 9323 | 1281 | 9324 | 1854 | 32 | 2.11E-03 | GFL09 - 2A □□□ 080C22 MDSKA□□ 080-22 70 |
| 440 | 28 | 4.6 | 70.211 | 1029 | 9323 | 1444 | 9324 | 2090 | 28 | 2.10E-03 | GFL09 - 2A □□□ 080C22 MDSKA□□ 080-22 70 |
| 500 | 25 | 3.2 | 78.750 | 1154 | 9323 | 1620 | 9324 | 1631 | 25 | 2.05E-03 | GFL09 - 2A □□□ 080C22 MDSKA□□ 080-22 70 |
| 565 | 23 | 3.1 | 88.750 | 1300 | 9323 | 1826 | 9324 | 1781 | 23 | 2.04E-03 | GFL09 - 2A □□□ 080C22 MDSKA□□ 080-22 70 |
| 256 | 80 | 5.5 | 51.333 | 657 | 9324 | 951 | 9325 | 1825 | 70 | 2.18E-03 | GFL09 - 2A □□□ 080C22 MDSKA□□ 080-22 140 |
| 289 | 71 | 5.5 | 57.852 | 741 | 9324 | 1072 | 9325 | 2057 | 62 | 2.17E-03 | GFL09 - 2A □□□ 080C22 MDSKA□□ 080-22 140 |
| 314 | 66 | 4.6 | 62.300 | 798 | 9324 | 1155 | 9325 | 1854 | 58 | 2.11E-03 | GFL09 - 2A □□□ 080C22 MDSKA□□ 080-22 140 |
| 352 | 58 | 5.1 | 70.211 | 899 | 9324 | 1301 | 9325 | 2090 | 51 | 2.10E-03 | GFL09 - 2A □□□ 080C22 MDSKA□□ 080-22 140 |
| 402 | 52 | 3.6 | 78.750 | 1009 | 9324 | 1459 | 9325 | 1631 | 46 | 2.05E-03 | GFL09 - 2A □□□ 080C22 MDSKA□□ 080-22 140 |
| 453 | 46 | 3.5 | 88.750 | 1137 | 9324 | 1645 | 9325 | 1781 | 40 | 2.04E-03 | GFL09 - 2A □□□ 080C22 MDSKA□□ 080-22 140 |
| 326 | 70 | 5.7 | 32.667 | 773 | 9324 | 1093 | 9325 | 1990 | 70 | 4.14E-03 | GFL09 - 2A □□□ 090C22 MDSKA□□ 090-22 80 |
| 367 | 62 | 5.7 | 36.815 | 872 | 9324 | 1232 | 9325 | 2242 | 62 | 4.12E-03 | GFL09 - 2A □□□ 090C22 MDSKA□□ 090-22 80 |
| 399 | 58 | 4.9 | 39.667 | 939 | 9324 | 1328 | 9325 | 2061 | 58 | 4.01E-03 | GFL09 - 2A □□□ 090C22 MDSKA□□ 090-22 80 |
| 450 | 51 | 4.9 | 44.704 | 1058 | 9324 | 1496 | 9325 | 2323 | 51 | 3.99E-03 | GFL09 - 2A □□□ 090C22 MDSKA□□ 090-22 80 |
| 522 | 45 | 3.9 | 51.333 | 1215 | 9324 | 1718 | 9325 | 2136 | 45 | 3.86E-03 | GFL09 - 2A □□□ 090C22 MDSKA□□ 090-22 80 |
| 588 | 40 | 3.9 | 57.852 | 1370 | 9324 | 1937 | 9325 | 2407 | 40 | 3.85E-03 | GFL09 - 2A □□□ 090C22 MDSKA□□ 090-22 80 |
| 637 | 37 | 3.3 | 62.300 | 1475 | 9324 | 2085 | 9325 | 2170 | 37 | 3.79E-03 | GFL09 - 2A □□□ 090C22 MDSKA□□ 090-22 80 |

Observe the notes for thermal dimensioning.

Selection tables - Shaft-mounted helical gearboxes

Naturally ventilated asynchronous geared servo motors



| M ₂ [Nm] | n _{2 trans} [rpm] | c | i | M _{2 max} short-time on geared motor at | | | | M _{2 Gr} gearbox c=1 n ₁ ≤1400 rpm [Nm] | n _{2 therm} [rpm] | J _{GM} referred to motor shaft [kgm ²] | Servo shaft-mounted helical geared motor Dimensions on Page 4-82 |
|------------------------|-------------------------------|------------|----------------|---|-------------|----------------------------|-------------|---|-------------------------------|---|---|
| | | | | 8 kHz | | 16 kHz | | | | | |
| | | | | M _{2 max} [Nm] | Type EVS | M _{2 max} [Nm] | Type EVS | | | | |
| 718 | 33 | 3.3 | 70.211 | 1662 | 9324 | 2350 | 9325 | 2445 | 33 | 3.78E-03 | GFL09 - 2A □□□ 090C22 MDSKA□□ 090-22 80 |
| 288 | 126 | 5.4 | 32.667 | 742 | 9325 | 887 | 9326 | 1990 | 95 | 4.14E-03 | GFL09 - 2A □□□ 090C22 MDSKA□□ 090-22 140 |
| 324 | 112 | 5.4 | 36.815 | 836 | 9325 | 1000 | 9326 | 2242 | 85 | 4.12E-03 | GFL09 - 2A □□□ 090C22 MDSKA□□ 090-22 140 |
| 352 | 104 | 4.6 | 39.667 | 901 | 9325 | 1078 | 9326 | 2061 | 78 | 4.01E-03 | GFL09 - 2A □□□ 090C22 MDSKA□□ 090-22 140 |
| 397 | 92 | 4.6 | 44.704 | 1015 | 9325 | 1214 | 9326 | 2323 | 70 | 3.99E-03 | GFL09 - 2A □□□ 090C22 MDSKA□□ 090-22 140 |
| 460 | 80 | 3.7 | 51.333 | 1165 | 9325 | 1395 | 9326 | 2136 | 61 | 3.86E-03 | GFL09 - 2A □□□ 090C22 MDSKA□□ 090-22 140 |
| 519 | 71 | 3.7 | 57.852 | 1313 | 9325 | 1572 | 9326 | 2407 | 54 | 3.85E-03 | GFL09 - 2A □□□ 090C22 MDSKA□□ 090-22 140 |
| 562 | 66 | 3.1 | 62.300 | 1414 | 9325 | 1693 | 9326 | 2170 | 50 | 3.79E-03 | GFL09 - 2A □□□ 090C22 MDSKA□□ 090-22 140 |
| 631 | 59 | 3.4 | 70.211 | 1594 | 9325 | 1907 | 9326 | 2445 | 44 | 3.78E-03 | GFL09 - 2A □□□ 090C22 MDSKA□□ 090-22 140 |
| 492 | 72 | 5.7 | 32.667 | 1496 | 9325 | 1071 | 9325 | 2990 | 72 | 7.74E-03 | GFL09 - 2A □□□ 100C22 MDSKA□□ 100-22 80 |
| 558 | 64 | 5.1 | 36.815 | 1686 | 9325 | 1207 | 9325 | 3018 | 64 | 7.72E-03 | GFL09 - 2A □□□ 100C22 MDSKA□□ 100-22 80 |
| 602 | 59 | 4.9 | 39.667 | 1817 | 9325 | 1301 | 9325 | 3107 | 59 | 7.61E-03 | GFL09 - 2A □□□ 100C22 MDSKA□□ 100-22 80 |
| 684 | 52 | 4.2 | 44.704 | 2047 | 9325 | 1466 | 9325 | 3027 | 52 | 7.59E-03 | GFL09 - 2A □□□ 100C22 MDSKA□□ 100-22 80 |
| 408 | 113 | 5.7 | 36.815 | 1547 | 9326 | 922 | 9326 | 3018 | 67 | 7.72E-03 | GFL09 - 2A □□□ 100C22 MDSKA□□ 100-22 140 |
| 441 | 105 | 5.4 | 39.667 | 1666 | 9326 | 993 | 9326 | 3107 | 62 | 7.61E-03 | GFL09 - 2A □□□ 100C22 MDSKA□□ 100-22 140 |
| 501 | 93 | 4.7 | 44.704 | 1878 | 9326 | 1119 | 9326 | 3027 | 55 | 7.59E-03 | GFL09 - 2A □□□ 100C22 MDSKA□□ 100-22 140 |
| 325 | 174 | 5.9 | 14.333 | 1085 | 9326 | 776 | 9326 | 2374 | 140 | 2.00E-02 | GFL09 - 2A □□□ 112C22 MDSKA□□ 112-22 85 |
| 372 | 152 | 5.3 | 16.333 | 1236 | 9326 | 884 | 9326 | 2461 | 123 | 1.96E-02 | GFL09 - 2A □□□ 112C22 MDSKA□□ 112-22 85 |
| 422 | 135 | 4.8 | 18.407 | 1393 | 9326 | 997 | 9326 | 2480 | 109 | 1.95E-02 | GFL09 - 2A □□□ 112C22 MDSKA□□ 112-22 85 |
| 452 | 127 | 4.6 | 19.667 | 1488 | 9326 | 1065 | 9326 | 2563 | 102 | 1.92E-02 | GFL09 - 2A □□□ 112C22 MDSKA□□ 112-22 85 |
| 512 | 112 | 4.2 | 22.164 | 1677 | 9326 | 1200 | 9326 | 2612 | 91 | 1.91E-02 | GFL09 - 2A □□□ 112C22 MDSKA□□ 112-22 85 |
| 554 | 103 | 4.5 | 24.111 | 1825 | 9326 | 1305 | 9326 | 2722 | 84 | 1.89E-02 | GFL09 - 2A □□□ 112C22 MDSKA□□ 112-22 85 |
| 628 | 92 | 4.1 | 27.173 | 2056 | 9326 | 1471 | 9326 | 2767 | 74 | 1.89E-02 | GFL09 - 2A □□□ 112C22 MDSKA□□ 112-22 85 |
| 289 | 226 | 5.8 | 18.407 | 784 | 9326 | 670 | 9327 | 2480 | 109 | 1.95E-02 | GFL09 - 2A □□□ 112C22 MDSKA□□ 112-22 140 |
| 309 | 212 | 5.6 | 19.667 | 838 | 9326 | 716 | 9327 | 2563 | 102 | 1.92E-02 | GFL09 - 2A □□□ 112C22 MDSKA□□ 112-22 140 |
| 350 | 188 | 5.1 | 22.164 | 944 | 9326 | 806 | 9327 | 2612 | 91 | 1.91E-02 | GFL09 - 2A □□□ 112C22 MDSKA□□ 112-22 140 |
| 379 | 173 | 5.5 | 24.111 | 1027 | 9326 | 877 | 9327 | 2722 | 84 | 1.89E-02 | GFL09 - 2A □□□ 112C22 MDSKA□□ 112-22 140 |
| 430 | 153 | 5.0 | 27.173 | 1157 | 9326 | 989 | 9327 | 2767 | 74 | 1.89E-02 | GFL09 - 2A □□□ 112C22 MDSKA□□ 112-22 140 |
| 336 | 21 | 5.8 | 185.111 | 787 | 9322 | 938 | 9323 | 2232 | 21 | 2.95E-04 | GFL09 - 3A □□□ 056C22 MDSKA□□ 056-22 140 |
| 379 | 19 | 5.8 | 208.617 | 887 | 9322 | 1057 | 9323 | 2515 | 19 | 2.94E-04 | GFL09 - 3A □□□ 056C22 MDSKA□□ 056-22 140 |
| 411 | 18 | 5.1 | 224.778 | 956 | 9322 | 1139 | 9323 | 2407 | 18 | 2.91E-04 | GFL09 - 3A □□□ 056C22 MDSKA□□ 056-22 140 |
| 463 | 16 | 5.1 | 253.321 | 1077 | 9322 | 1283 | 9323 | 2712 | 16 | 2.90E-04 | GFL09 - 3A □□□ 056C22 MDSKA□□ 056-22 140 |
| 537 | 14 | 4.3 | 290.889 | 1237 | 9322 | 1473 | 9323 | 2640 | 14 | 2.71E-04 | GFL09 - 3A □□□ 056C22 MDSKA□□ 056-22 140 |
| 605 | 12 | 4.3 | 327.827 | 1394 | 9322 | 1661 | 9323 | 2976 | 12 | 2.71E-04 | GFL09 - 3A □□□ 056C22 MDSKA□□ 056-22 140 |

Observe the notes for thermal dimensioning.

Selection tables - Shaft-mounted helical gearboxes

Naturally ventilated asynchronous geared servo motors

| M ₂ [Nm] | n ₂ trans [rpm] | c | i | M ₂ max short-time on geared motor at | | | | M ₂ Gr gearbox c=1 n ₁ ≤ 1400 rpm [Nm] | n ₂ therm [rpm] | J _{GM} referred to motor shaft [kgm ²] | Servo shaft-mounted helical geared motor Dimensions on Page 4-82 |
|------------------------|-------------------------------|-----|---------|---|-------------|----------------------------|-------------|--|-------------------------------|---|---|
| | | | | 8 kHz | | 16 kHz | | | | | |
| | | | | M ₂ max [Nm] | Type EVS | M ₂ max [Nm] | Type EVS | | | | |
| 655 | 11 | 3.8 | 353.033 | 1501 | 9322 | 1788 | 9323 | 2813 | 11 | 2.63E-04 | GFL09 - 3A □□□ 056C22 MDSKA□□ 056-22 140 |
| 738 | 9.9 | 3.8 | 397.863 | 1692 | 9322 | 2015 | 9323 | 3170 | 9.9 | 2.62E-04 | GFL09 - 3A □□□ 056C22 MDSKA□□ 056-22 140 |
| 793 | 9.3 | 3.1 | 424.247 | 1804 | 9322 | 2149 | 9323 | 2724 | 9.3 | 2.69E-04 | GFL09 - 3A □□□ 056C22 MDSKA□□ 056-22 140 |
| 968 | 7.7 | 2.5 | 514.881 | 2190 | 9322 | 2608 | 9323 | 2724 | 7.7 | 2.61E-04 | GFL09 - 3A □□□ 056C22 MDSKA□□ 056-22 140 |
| 1051 | 7.1 | 1.8 | 554.470 | 2358 | 9322 | 2808 | 9323 | 2113 | 7.1 | 2.60E-04 | GFL09 - 3A □□□ 056C22 MDSKA□□ 056-22 140 |
| 1185 | 6.3 | 1.7 | 624.879 | 2657 | 9322 | 3165 | 9323 | 2273 | 6.3 | 2.60E-04 | GFL09 - 3A □□□ 056C22 MDSKA□□ 056-22 140 |
| 1333 | 5.6 | 1.4 | 700.875 | 2981 | 9322 | 3169 | 9323 | 2113 | 5.6 | 2.53E-04 | GFL09 - 3A □□□ 056C22 MDSKA□□ 056-22 140 |
| 1504 | 5.0 | 1.4 | 789.875 | 3359 | 9322 | 3410 | 9323 | 2273 | 5.0 | 2.53E-04 | GFL09 - 3A □□□ 056C22 MDSKA□□ 056-22 140 |
| 232 | 64 | 5.1 | 63.326 | 763 | 9324 | 557 | 9324 | 1510 | 64 | 1.06E-03 | GFL09 - 3A □□□ 071C22 MDSKA□□ 071-22 140 |
| 268 | 55 | 4.9 | 73.173 | 881 | 9324 | 643 | 9324 | 1517 | 55 | 1.08E-03 | GFL09 - 3A □□□ 071C22 MDSKA□□ 071-22 140 |
| 302 | 49 | 4.9 | 82.465 | 993 | 9324 | 725 | 9324 | 1710 | 49 | 1.07E-03 | GFL09 - 3A □□□ 071C22 MDSKA□□ 071-22 140 |
| 344 | 43 | 4.3 | 93.333 | 1124 | 9324 | 821 | 9324 | 1692 | 43 | 9.98E-04 | GFL09 - 3A □□□ 071C22 MDSKA□□ 071-22 140 |
| 388 | 39 | 4.3 | 105.185 | 1267 | 9324 | 925 | 9324 | 1907 | 39 | 9.95E-04 | GFL09 - 3A □□□ 071C22 MDSKA□□ 071-22 140 |
| 424 | 35 | 3.8 | 114.333 | 1377 | 9324 | 1005 | 9324 | 1847 | 35 | 9.53E-04 | GFL09 - 3A □□□ 071C22 MDSKA□□ 071-22 140 |
| 478 | 31 | 3.8 | 128.852 | 1552 | 9324 | 1133 | 9324 | 2082 | 31 | 9.51E-04 | GFL09 - 3A □□□ 071C22 MDSKA□□ 071-22 140 |
| 555 | 27 | 3.3 | 148.815 | 1792 | 9324 | 1308 | 9324 | 2053 | 27 | 9.07E-04 | GFL09 - 3A □□□ 071C22 MDSKA□□ 071-22 140 |
| 626 | 24 | 3.3 | 167.712 | 2020 | 9324 | 1475 | 9324 | 2314 | 24 | 9.06E-04 | GFL09 - 3A □□□ 071C22 MDSKA□□ 071-22 140 |
| 694 | 22 | 2.9 | 185.111 | 2229 | 9324 | 1628 | 9324 | 2232 | 22 | 8.85E-04 | GFL09 - 3A □□□ 071C22 MDSKA□□ 071-22 140 |
| 782 | 19 | 2.9 | 208.617 | 2512 | 9324 | 1834 | 9324 | 2515 | 19 | 8.84E-04 | GFL09 - 3A □□□ 071C22 MDSKA□□ 071-22 140 |
| 845 | 18 | 2.5 | 224.778 | 2707 | 9324 | 1976 | 9324 | 2407 | 18 | 8.81E-04 | GFL09 - 3A □□□ 071C22 MDSKA□□ 071-22 140 |
| 953 | 16 | 2.5 | 253.321 | 3050 | 9324 | 2227 | 9324 | 2712 | 16 | 8.80E-04 | GFL09 - 3A □□□ 071C22 MDSKA□□ 071-22 140 |
| 1099 | 14 | 2.1 | 290.889 | 3503 | 9324 | 2558 | 9324 | 2640 | 14 | 8.61E-04 | GFL09 - 3A □□□ 071C22 MDSKA□□ 071-22 140 |
| 1238 | 12 | 2.1 | 327.827 | 3948 | 9324 | 2882 | 9324 | 2976 | 12 | 8.61E-04 | GFL09 - 3A □□□ 071C22 MDSKA□□ 071-22 140 |
| 1337 | 11 | 1.9 | 353.033 | 4220 | 9324 | 3104 | 9324 | 2813 | 11 | 8.53E-04 | GFL09 - 3A □□□ 071C22 MDSKA□□ 071-22 140 |
| 1507 | 10 | 1.9 | 397.863 | 4756 | 9324 | 3498 | 9324 | 3170 | 10 | 8.52E-04 | GFL09 - 3A □□□ 071C22 MDSKA□□ 071-22 140 |
| 1613 | 9.6 | 1.5 | 424.247 | 4086 | 9324 | 3730 | 9324 | 2724 | 9.6 | 8.59E-04 | GFL09 - 3A □□□ 071C22 MDSKA□□ 071-22 140 |
| 1963 | 7.9 | 1.3 | 514.881 | 4086 | 9324 | 4086 | 9324 | 2724 | 7.9 | 8.51E-04 | GFL09 - 3A □□□ 071C22 MDSKA□□ 071-22 140 |
| 394 | 32 | 3.7 | 63.326 | 914 | 9323 | 1283 | 9324 | 1510 | 32 | 2.15E-03 | GFL09 - 3A □□□ 080C22 MDSKA□□ 080-22 70 |
| 458 | 27 | 3.2 | 73.173 | 1056 | 9323 | 1483 | 9324 | 1517 | 27 | 2.17E-03 | GFL09 - 3A □□□ 080C22 MDSKA□□ 080-22 70 |
| 516 | 24 | 3.2 | 82.465 | 1190 | 9323 | 1671 | 9324 | 1710 | 24 | 2.16E-03 | GFL09 - 3A □□□ 080C22 MDSKA□□ 080-22 70 |
| 586 | 21 | 2.8 | 93.333 | 1347 | 9323 | 1891 | 9324 | 1692 | 21 | 2.09E-03 | GFL09 - 3A □□□ 080C22 MDSKA□□ 080-22 70 |
| 661 | 19 | 2.8 | 105.185 | 1518 | 9323 | 2131 | 9324 | 1907 | 19 | 2.09E-03 | GFL09 - 3A □□□ 080C22 MDSKA□□ 080-22 70 |
| 720 | 17 | 2.5 | 114.333 | 1650 | 9323 | 2316 | 9324 | 1847 | 17 | 2.04E-03 | GFL09 - 3A □□□ 080C22 MDSKA□□ 080-22 70 |
| 812 | 16 | 2.5 | 128.852 | 1859 | 9323 | 2611 | 9324 | 2082 | 16 | 2.04E-03 | GFL09 - 3A □□□ 080C22 MDSKA□□ 080-22 70 |

Observe the notes for thermal dimensioning.

Selection tables - Shaft-mounted helical gearboxes

Naturally ventilated asynchronous geared servo motors



| M ₂ [Nm] | n _{2 trans} [rpm] | c | i | M _{2 max} short-time on geared motor at | | | | M _{2 Gr} gearbox c=1 n ₁ ≤ 1400 rpm [Nm] | n _{2 therm} [rpm] | J _{GM} referred to motor shaft [kgm ²] | Servo shaft-mounted helical geared motor Dimensions on Page 4-82 |
|------------------------|-------------------------------|-----|---------|--|-------------|----------------------------|-------------|---|-------------------------------|--|---|
| | | | | 8 kHz | | 16 kHz | | | | | |
| | | | | M _{2 max} [Nm] | Type EVS | M _{2 max} [Nm] | Type EVS | | | | |
| 941 | 13 | 2.2 | 148.815 | 2148 | 9323 | 3015 | 9324 | 2053 | 13 | 2.00E-03 | GFL09 - 3A □□□ 080C22 MDSKA□□ 080-22 70 |
| 1061 | 12 | 2.2 | 167.712 | 2420 | 9323 | 3398 | 9324 | 2314 | 12 | 2.00E-03 | GFL09 - 3A □□□ 080C22 MDSKA□□ 080-22 70 |
| 1174 | 11 | 1.9 | 185.111 | 2671 | 9323 | 3347 | 9324 | 2232 | 11 | 1.97E-03 | GFL09 - 3A □□□ 080C22 MDSKA□□ 080-22 70 |
| 1323 | 9.6 | 1.9 | 208.617 | 3011 | 9323 | 3772 | 9324 | 2515 | 9.6 | 1.97E-03 | GFL09 - 3A □□□ 080C22 MDSKA□□ 080-22 70 |
| 1429 | 8.9 | 1.7 | 224.778 | 3244 | 9323 | 3610 | 9324 | 2407 | 8.9 | 1.97E-03 | GFL09 - 3A □□□ 080C22 MDSKA□□ 080-22 70 |
| 1611 | 7.9 | 1.7 | 253.321 | 3656 | 9323 | 4068 | 9324 | 2712 | 7.9 | 1.97E-03 | GFL09 - 3A □□□ 080C22 MDSKA□□ 080-22 70 |
| 317 | 65 | 3.8 | 63.326 | 799 | 9324 | 1156 | 9325 | 1510 | 57 | 2.15E-03 | GFL09 - 3A □□□ 080C22 MDSKA□□ 080-22 140 |
| 367 | 56 | 3.6 | 73.173 | 923 | 9324 | 1336 | 9325 | 1517 | 49 | 2.17E-03 | GFL09 - 3A □□□ 080C22 MDSKA□□ 080-22 140 |
| 414 | 50 | 3.6 | 82.465 | 1040 | 9324 | 1505 | 9325 | 1710 | 44 | 2.16E-03 | GFL09 - 3A □□□ 080C22 MDSKA□□ 080-22 140 |
| 471 | 44 | 3.2 | 93.333 | 1177 | 9324 | 1704 | 9325 | 1692 | 38 | 2.09E-03 | GFL09 - 3A □□□ 080C22 MDSKA□□ 080-22 140 |
| 531 | 39 | 3.2 | 105.185 | 1327 | 9324 | 1920 | 9325 | 1907 | 34 | 2.09E-03 | GFL09 - 3A □□□ 080C22 MDSKA□□ 080-22 140 |
| 579 | 36 | 2.8 | 114.333 | 1442 | 9324 | 2087 | 9325 | 1847 | 31 | 2.04E-03 | GFL09 - 3A □□□ 080C22 MDSKA□□ 080-22 140 |
| 652 | 32 | 2.8 | 128.852 | 1625 | 9324 | 2352 | 9325 | 2082 | 28 | 2.04E-03 | GFL09 - 3A □□□ 080C22 MDSKA□□ 080-22 140 |
| 757 | 28 | 2.4 | 148.815 | 1877 | 9324 | 2716 | 9325 | 2053 | 24 | 2.00E-03 | GFL09 - 3A □□□ 080C22 MDSKA□□ 080-22 140 |
| 853 | 24 | 2.4 | 167.712 | 2116 | 9324 | 3061 | 9325 | 2314 | 21 | 2.00E-03 | GFL09 - 3A □□□ 080C22 MDSKA□□ 080-22 140 |
| 944 | 22 | 2.1 | 185.111 | 2335 | 9324 | 3347 | 9325 | 2232 | 19 | 1.97E-03 | GFL09 - 3A □□□ 080C22 MDSKA□□ 080-22 140 |
| 1064 | 20 | 2.1 | 208.617 | 2632 | 9324 | 3772 | 9325 | 2515 | 17 | 1.97E-03 | GFL09 - 3A □□□ 080C22 MDSKA□□ 080-22 140 |
| 1149 | 18 | 1.9 | 224.778 | 2836 | 9324 | 3610 | 9325 | 2407 | 16 | 1.97E-03 | GFL09 - 3A □□□ 080C22 MDSKA□□ 080-22 140 |
| 1295 | 16 | 1.9 | 253.321 | 3196 | 9324 | 4068 | 9325 | 2712 | 14 | 1.97E-03 | GFL09 - 3A □□□ 080C22 MDSKA□□ 080-22 140 |
| 645 | 36 | 2.3 | 63.326 | 1477 | 9324 | 2088 | 9325 | 1510 | 36 | 3.83E-03 | GFL09 - 3A □□□ 090C22 MDSKA□□ 090-22 80 |
| 747 | 31 | 2.0 | 73.173 | 1706 | 9324 | 2276 | 9325 | 1517 | 31 | 3.85E-03 | GFL09 - 3A □□□ 090C22 MDSKA□□ 090-22 80 |
| 842 | 28 | 2.0 | 82.465 | 1923 | 9324 | 2565 | 9325 | 1710 | 28 | 3.84E-03 | GFL09 - 3A □□□ 090C22 MDSKA□□ 090-22 80 |
| 956 | 25 | 1.8 | 93.333 | 2176 | 9324 | 2538 | 9325 | 1692 | 25 | 3.77E-03 | GFL09 - 3A □□□ 090C22 MDSKA□□ 090-22 80 |
| 1077 | 22 | 1.8 | 105.185 | 2453 | 9324 | 2861 | 9325 | 1907 | 22 | 3.77E-03 | GFL09 - 3A □□□ 090C22 MDSKA□□ 090-22 80 |
| 1173 | 20 | 1.6 | 114.333 | 2666 | 9324 | 2771 | 9325 | 1847 | 20 | 3.72E-03 | GFL09 - 3A □□□ 090C22 MDSKA□□ 090-22 80 |
| 1322 | 18 | 1.6 | 128.852 | 3005 | 9324 | 3122 | 9325 | 2082 | 18 | 3.72E-03 | GFL09 - 3A □□□ 090C22 MDSKA□□ 090-22 80 |
| 568 | 65 | 2.1 | 63.326 | 1416 | 9325 | 1695 | 9326 | 1510 | 49 | 3.83E-03 | GFL09 - 3A □□□ 090C22 MDSKA□□ 090-22 140 |
| 657 | 56 | 2.1 | 73.173 | 1636 | 9325 | 1958 | 9326 | 1517 | 43 | 3.85E-03 | GFL09 - 3A □□□ 090C22 MDSKA□□ 090-22 140 |
| 740 | 50 | 2.1 | 82.465 | 1844 | 9325 | 2207 | 9326 | 1710 | 38 | 3.84E-03 | GFL09 - 3A □□□ 090C22 MDSKA□□ 090-22 140 |
| 840 | 44 | 1.8 | 93.333 | 2087 | 9325 | 2498 | 9326 | 1692 | 33 | 3.77E-03 | GFL09 - 3A □□□ 090C22 MDSKA□□ 090-22 140 |
| 947 | 39 | 1.8 | 105.185 | 2352 | 9325 | 2815 | 9326 | 1907 | 30 | 3.77E-03 | GFL09 - 3A □□□ 090C22 MDSKA□□ 090-22 140 |
| 1031 | 36 | 1.6 | 114.333 | 2557 | 9325 | 2771 | 9326 | 1847 | 27 | 3.72E-03 | GFL09 - 3A □□□ 090C22 MDSKA□□ 090-22 140 |
| 1162 | 32 | 1.6 | 128.852 | 2882 | 9325 | 3122 | 9326 | 2082 | 24 | 3.72E-03 | GFL09 - 3A □□□ 090C22 MDSKA□□ 090-22 140 |
| 391 | 32 | 5.7 | 63.190 | 926 | 9323 | 1300 | 9324 | 2344 | 32 | 2.51E-03 | GFL11 - 2A □□□ 080C22 MDSKA□□ 080-22 70 |

Observe the notes for thermal dimensioning.

Selection tables - Shaft-mounted helical gearboxes

Naturally ventilated asynchronous geared servo motors

| M ₂ [Nm] | n ₂ trans [rpm] | c | i | M ₂ max short-time on geared motor at | | | | M ₂ Gr gearbox c=1 n ₁ ≤ 1400 rpm [Nm] | n ₂ therm [rpm] | J _{GM} referred to motor shaft [kgm ²] | Servo shaft-mounted helical geared motor Dimensions on Page 4-82 |
|------------------------|-------------------------------|------------|----------------|---|-------------|----------------------------|-------------|--|-------------------------------|---|---|
| | | | | 8 kHz | | 16 kHz | | | | | |
| | | | | M ₂ max [Nm] | Type EVS | M ₂ max [Nm] | Type EVS | | | | |
| 440 | 28 | 5.7 | 71.200 | 1043 | 9323 | 1465 | 9324 | 2641 | 28 | 2.49E-03 | GFL11 - 2A □□□ 080C22 MDSKA□□ 080-22 70 |
| 500 | 25 | 4.6 | 79.875 | 1170 | 9323 | 1643 | 9324 | 2381 | 25 | 2.31E-03 | GFL11 - 2A □□□ 080C22 MDSKA□□ 080-22 70 |
| 563 | 22 | 4.6 | 90.000 | 1319 | 9323 | 1851 | 9324 | 2683 | 22 | 2.30E-03 | GFL11 - 2A □□□ 080C22 MDSKA□□ 080-22 70 |
| 315 | 65 | 5.8 | 63.190 | 809 | 9324 | 1171 | 9325 | 2344 | 57 | 2.51E-03 | GFL11 - 2A □□□ 080C22 MDSKA□□ 080-22 140 |
| 401 | 51 | 5.1 | 79.875 | 1023 | 9324 | 1480 | 9325 | 2381 | 45 | 2.31E-03 | GFL11 - 2A □□□ 080C22 MDSKA□□ 080-22 140 |
| 451 | 46 | 5.1 | 90.000 | 1153 | 9324 | 1668 | 9325 | 2683 | 40 | 2.30E-03 | GFL11 - 2A □□□ 080C22 MDSKA□□ 080-22 140 |
| 524 | 44 | 4.9 | 52.067 | 1233 | 9324 | 1743 | 9325 | 2701 | 44 | 4.41E-03 | GFL11 - 2A □□□ 090C22 MDSKA□□ 090-22 80 |
| 590 | 39 | 4.9 | 58.667 | 1389 | 9324 | 1964 | 9325 | 3044 | 39 | 4.38E-03 | GFL11 - 2A □□□ 090C22 MDSKA□□ 090-22 80 |
| 641 | 36 | 4.1 | 63.190 | 1496 | 9324 | 2115 | 9325 | 2745 | 36 | 4.19E-03 | GFL11 - 2A □□□ 090C22 MDSKA□□ 090-22 80 |
| 722 | 32 | 4.1 | 71.200 | 1686 | 9324 | 2383 | 9325 | 3093 | 32 | 4.17E-03 | GFL11 - 2A □□□ 090C22 MDSKA□□ 090-22 80 |
| 817 | 29 | 3.3 | 79.875 | 1891 | 9324 | 2674 | 9325 | 2789 | 29 | 3.99E-03 | GFL11 - 2A □□□ 090C22 MDSKA□□ 090-22 80 |
| 920 | 26 | 3.3 | 90.000 | 2131 | 9324 | 3013 | 9325 | 3143 | 26 | 3.98E-03 | GFL11 - 2A □□□ 090C22 MDSKA□□ 090-22 80 |
| 353 | 102 | 5.7 | 40.233 | 913 | 9325 | 1093 | 9326 | 2607 | 77 | 4.86E-03 | GFL11 - 2A □□□ 090C22 MDSKA□□ 090-22 140 |
| 398 | 91 | 5.7 | 45.333 | 1029 | 9325 | 1232 | 9326 | 2938 | 69 | 4.82E-03 | GFL11 - 2A □□□ 090C22 MDSKA□□ 090-22 140 |
| 462 | 79 | 4.6 | 52.067 | 1182 | 9325 | 1415 | 9326 | 2701 | 60 | 4.41E-03 | GFL11 - 2A □□□ 090C22 MDSKA□□ 090-22 140 |
| 521 | 70 | 4.6 | 58.667 | 1332 | 9325 | 1594 | 9326 | 3044 | 53 | 4.38E-03 | GFL11 - 2A □□□ 090C22 MDSKA□□ 090-22 140 |
| 565 | 65 | 3.8 | 63.190 | 1435 | 9325 | 1717 | 9326 | 2745 | 49 | 4.19E-03 | GFL11 - 2A □□□ 090C22 MDSKA□□ 090-22 140 |
| 634 | 58 | 4.2 | 71.200 | 1617 | 9325 | 1934 | 9326 | 3093 | 44 | 4.17E-03 | GFL11 - 2A □□□ 090C22 MDSKA□□ 090-22 140 |
| 718 | 51 | 3.4 | 79.875 | 1813 | 9325 | 2170 | 9326 | 2789 | 39 | 3.99E-03 | GFL11 - 2A □□□ 090C22 MDSKA□□ 090-22 140 |
| 809 | 46 | 3.4 | 90.000 | 2043 | 9325 | 2445 | 9326 | 3143 | 35 | 3.98E-03 | GFL11 - 2A □□□ 090C22 MDSKA□□ 090-22 140 |
| 884 | 40 | 5.5 | 58.667 | 2687 | 9325 | 1924 | 9325 | 5254 | 40 | 7.98E-03 | GFL11 - 2A □□□ 100C22 MDSKA□□ 100-22 80 |
| 954 | 37 | 5.4 | 63.190 | 2894 | 9325 | 2072 | 9325 | 5557 | 37 | 7.79E-03 | GFL11 - 2A □□□ 100C22 MDSKA□□ 100-22 80 |
| 1080 | 33 | 4.9 | 71.200 | 3261 | 9325 | 2335 | 9325 | 5561 | 33 | 7.77E-03 | GFL11 - 2A □□□ 100C22 MDSKA□□ 100-22 80 |
| 744 | 76 | 5.7 | 32.739 | 2478 | 9326 | 1772 | 9326 | 4603 | 62 | 1.97E-02 | GFL11 - 2A □□□ 112C22 MDSKA□□ 112-22 85 |
| 844 | 68 | 5.0 | 36.889 | 2792 | 9326 | 1997 | 9326 | 4601 | 55 | 1.97E-02 | GFL11 - 2A □□□ 112C22 MDSKA□□ 112-22 85 |
| 922 | 62 | 4.9 | 40.233 | 3045 | 9326 | 2178 | 9326 | 4882 | 50 | 1.93E-02 | GFL11 - 2A □□□ 112C22 MDSKA□□ 112-22 85 |
| 1045 | 55 | 4.3 | 45.333 | 3431 | 9326 | 2454 | 9326 | 4881 | 44 | 1.92E-02 | GFL11 - 2A □□□ 112C22 MDSKA□□ 112-22 85 |
| 630 | 103 | 5.9 | 40.233 | 1714 | 9326 | 1464 | 9327 | 4882 | 50 | 1.93E-02 | GFL11 - 2A □□□ 112C22 MDSKA□□ 112-22 140 |
| 715 | 92 | 5.3 | 45.333 | 1931 | 9326 | 1649 | 9327 | 4881 | 44 | 1.92E-02 | GFL11 - 2A □□□ 112C22 MDSKA□□ 112-22 140 |
| 649 | 11 | 5.9 | 358.077 | 1523 | 9322 | 1814 | 9323 | 4423 | 11 | 3.08E-04 | GFL11 - 3A □□□ 056C22 MDSKA□□ 056-22 140 |
| 732 | 9.8 | 5.9 | 403.467 | 1716 | 9322 | 2044 | 9323 | 4984 | 9.8 | 3.07E-04 | GFL11 - 3A □□□ 056C22 MDSKA□□ 056-22 140 |
| 952 | 7.6 | 5.4 | 522.133 | 2221 | 9322 | 2645 | 9323 | 5942 | 7.6 | 3.02E-04 | GFL11 - 3A □□□ 056C22 MDSKA□□ 056-22 140 |
| 1035 | 7.0 | 4.5 | 562.391 | 2392 | 9322 | 2849 | 9323 | 5319 | 7.0 | 3.00E-04 | GFL11 - 3A □□□ 056C22 MDSKA□□ 056-22 140 |
| 1168 | 6.2 | 4.4 | 633.680 | 2695 | 9322 | 3210 | 9323 | 5844 | 6.2 | 3.00E-04 | GFL11 - 3A □□□ 056C22 MDSKA□□ 056-22 140 |

Observe the notes for thermal dimensioning.

Selection tables - Shaft-mounted helical gearboxes

Naturally ventilated asynchronous geared servo motors



| M ₂ [Nm] | n _{2 trans} [rpm] | c | i | M _{2 max} short-time on geared motor at | | | | M _{2 Gr} gearbox c=1 n ₁ ≤ 1400 rpm [Nm] | n _{2 therm} [rpm] | J _{GM} referred to motor shaft [kgm ²] | Servo shaft-mounted helical geared motor Dimensions on Page 4-82 |
|------------------------|-------------------------------|-----|---------|--|-------------|----------------------------|-------------|---|-------------------------------|--|---|
| | | | | 8 kHz | | 16 kHz | | | | | |
| | | | | M _{2 max} [Nm] | Type EVS | M _{2 max} [Nm] | Type EVS | | | | |
| 1322 | 5.6 | 3.6 | 710.888 | 3023 | 9322 | 3601 | 9323 | 5319 | 5.6 | 2.79E-04 | GFL11 - 3A □□□ 056C22 MDSKA□□ 056-22 140 |
| 1491 | 4.9 | 3.5 | 801.000 | 3406 | 9322 | 4057 | 9323 | 5844 | 4.9 | 2.78E-04 | GFL11 - 3A □□□ 056C22 MDSKA□□ 056-22 140 |
| 666 | 22 | 5.5 | 182.792 | 2201 | 9324 | 1607 | 9324 | 4233 | 22 | 9.96E-04 | GFL11 - 3A □□□ 071C22 MDSKA□□ 071-22 140 |
| 750 | 20 | 5.5 | 205.963 | 2480 | 9324 | 1811 | 9324 | 4769 | 20 | 9.94E-04 | GFL11 - 3A □□□ 071C22 MDSKA□□ 071-22 140 |
| 825 | 18 | 4.8 | 224.636 | 2705 | 9324 | 1975 | 9324 | 4523 | 18 | 9.82E-04 | GFL11 - 3A □□□ 071C22 MDSKA□□ 071-22 140 |
| 929 | 16 | 4.8 | 253.111 | 3048 | 9324 | 2225 | 9324 | 5097 | 16 | 9.80E-04 | GFL11 - 3A □□□ 071C22 MDSKA□□ 071-22 140 |
| 984 | 15 | 4.5 | 267.259 | 3218 | 9324 | 2350 | 9324 | 5106 | 15 | 1.02E-03 | GFL11 - 3A □□□ 071C22 MDSKA□□ 071-22 140 |
| 1213 | 12 | 4.0 | 327.556 | 3944 | 9324 | 2880 | 9324 | 5523 | 12 | 9.67E-04 | GFL11 - 3A □□□ 071C22 MDSKA□□ 071-22 140 |
| 1333 | 11 | 3.5 | 358.077 | 4312 | 9324 | 3148 | 9324 | 5283 | 11 | 8.98E-04 | GFL11 - 3A □□□ 071C22 MDSKA□□ 071-22 140 |
| 1502 | 10 | 3.5 | 403.467 | 4858 | 9324 | 3547 | 9324 | 5952 | 10 | 8.97E-04 | GFL11 - 3A □□□ 071C22 MDSKA□□ 071-22 140 |
| 1606 | 9.4 | 3.3 | 430.222 | 5181 | 9324 | 3783 | 9324 | 5942 | 9.4 | 9.15E-04 | GFL11 - 3A □□□ 071C22 MDSKA□□ 071-22 140 |
| 1961 | 7.8 | 2.7 | 522.133 | 6287 | 9324 | 4591 | 9324 | 5942 | 7.8 | 8.92E-04 | GFL11 - 3A □□□ 071C22 MDSKA□□ 071-22 140 |
| 2122 | 7.2 | 2.2 | 562.391 | 6772 | 9324 | 4945 | 9324 | 5319 | 7.2 | 8.90E-04 | GFL11 - 3A □□□ 071C22 MDSKA□□ 071-22 140 |
| 2392 | 6.4 | 2.2 | 633.680 | 7630 | 9324 | 5571 | 9324 | 5844 | 6.4 | 8.90E-04 | GFL11 - 3A □□□ 071C22 MDSKA□□ 071-22 140 |
| 2696 | 5.7 | 1.8 | 710.888 | 7979 | 9324 | 6250 | 9324 | 5319 | 5.7 | 8.69E-04 | GFL11 - 3A □□□ 071C22 MDSKA□□ 071-22 140 |
| 3039 | 5.1 | 1.7 | 801.000 | 8766 | 9324 | 7043 | 9324 | 5844 | 5.1 | 8.68E-04 | GFL11 - 3A □□□ 071C22 MDSKA□□ 071-22 140 |
| 572 | 21 | 5.4 | 93.540 | 1350 | 9323 | 1895 | 9324 | 3206 | 21 | 2.42E-03 | GFL11 - 3A □□□ 080C22 MDSKA□□ 080-22 70 |
| 644 | 19 | 5.4 | 105.397 | 1521 | 9323 | 2135 | 9324 | 3613 | 19 | 2.42E-03 | GFL11 - 3A □□□ 080C22 MDSKA□□ 080-22 70 |
| 705 | 17 | 4.8 | 114.586 | 1654 | 9323 | 2322 | 9324 | 3501 | 17 | 2.29E-03 | GFL11 - 3A □□□ 080C22 MDSKA□□ 080-22 70 |
| 794 | 15 | 4.8 | 129.111 | 1863 | 9323 | 2616 | 9324 | 3945 | 15 | 2.29E-03 | GFL11 - 3A □□□ 080C22 MDSKA□□ 080-22 70 |
| 924 | 13 | 4.1 | 149.144 | 2152 | 9323 | 3022 | 9324 | 3894 | 13 | 2.15E-03 | GFL11 - 3A □□□ 080C22 MDSKA□□ 080-22 70 |
| 1041 | 12 | 4.1 | 168.049 | 2425 | 9323 | 3405 | 9324 | 4387 | 12 | 2.15E-03 | GFL11 - 3A □□□ 080C22 MDSKA□□ 080-22 70 |
| 1138 | 11 | 3.6 | 182.792 | 2638 | 9323 | 3703 | 9324 | 4233 | 11 | 2.09E-03 | GFL11 - 3A □□□ 080C22 MDSKA□□ 080-22 70 |
| 1283 | 9.7 | 3.6 | 205.963 | 2972 | 9323 | 4173 | 9324 | 4769 | 9.7 | 2.08E-03 | GFL11 - 3A □□□ 080C22 MDSKA□□ 080-22 70 |
| 1406 | 8.9 | 3.1 | 224.636 | 3242 | 9323 | 4551 | 9324 | 4523 | 8.9 | 2.07E-03 | GFL11 - 3A □□□ 080C22 MDSKA□□ 080-22 70 |
| 1584 | 7.9 | 3.1 | 253.111 | 3653 | 9323 | 5128 | 9324 | 5097 | 7.9 | 2.07E-03 | GFL11 - 3A □□□ 080C22 MDSKA□□ 080-22 70 |
| 1676 | 7.5 | 3.0 | 267.259 | 3857 | 9323 | 5415 | 9324 | 5106 | 7.5 | 2.11E-03 | GFL11 - 3A □□□ 080C22 MDSKA□□ 080-22 70 |
| 2061 | 6.1 | 2.6 | 327.556 | 4727 | 9323 | 6636 | 9324 | 5523 | 6.1 | 2.06E-03 | GFL11 - 3A □□□ 080C22 MDSKA□□ 080-22 70 |
| 2261 | 5.6 | 2.3 | 358.077 | 5167 | 9323 | 7255 | 9324 | 5283 | 5.6 | 1.99E-03 | GFL11 - 3A □□□ 080C22 MDSKA□□ 080-22 70 |
| 2548 | 5.0 | 2.3 | 403.467 | 5822 | 9323 | 8174 | 9324 | 5952 | 5.0 | 1.99E-03 | GFL11 - 3A □□□ 080C22 MDSKA□□ 080-22 70 |
| 2721 | 4.7 | 2.2 | 430.222 | 6208 | 9323 | 8716 | 9324 | 5942 | 4.7 | 2.01E-03 | GFL11 - 3A □□□ 080C22 MDSKA□□ 080-22 70 |
| 3316 | 3.8 | 1.8 | 522.133 | 7535 | 9323 | 8913 | 9324 | 5942 | 3.8 | 1.98E-03 | GFL11 - 3A □□□ 080C22 MDSKA□□ 080-22 70 |
| 3583 | 3.6 | 1.5 | 562.391 | 7979 | 9323 | 7979 | 9324 | 5319 | 3.6 | 1.98E-03 | GFL11 - 3A □□□ 080C22 MDSKA□□ 080-22 70 |
| 4039 | 3.2 | 1.4 | 633.680 | 8766 | 9323 | 8766 | 9324 | 5844 | 3.2 | 1.98E-03 | GFL11 - 3A □□□ 080C22 MDSKA□□ 080-22 70 |

Observe the notes for thermal dimensioning.

Selection tables - Shaft-mounted helical gearboxes

Naturally ventilated asynchronous geared servo motors

| M ₂ [Nm] | n _{2 trans} [rpm] | c | i | M _{2 max} short-time on geared motor at | | | | M _{2 Gr} gearbox c=1 n ₁ ≤1400 rpm [Nm] | n _{2 therm} [rpm] | J _{GM} referred to motor shaft [kgm ²] | Servo shaft-mounted helical geared motor Dimensions on Page 4-82 |
|------------------------|-------------------------------|-----|---------|---|-------------|----------------------------|-------------|---|-------------------------------|---|---|
| | | | | 8 kHz | | 16 kHz | | | | | |
| | | | | M _{2 max} [Nm] | Type EVS | M _{2 max} [Nm] | Type EVS | | | | |
| 458 | 44 | 6.0 | 93.540 | 1180 | 9324 | 1707 | 9325 | 3206 | 38 | 2.42E-03 | GFL11 - 3A □□□ 080C22 MDSKA□□ 080-22 140 |
| 516 | 39 | 6.0 | 105.397 | 1330 | 9324 | 1924 | 9325 | 3613 | 34 | 2.42E-03 | GFL11 - 3A □□□ 080C22 MDSKA□□ 080-22 140 |
| 565 | 36 | 5.3 | 114.586 | 1446 | 9324 | 2092 | 9325 | 3501 | 31 | 2.29E-03 | GFL11 - 3A □□□ 080C22 MDSKA□□ 080-22 140 |
| 636 | 32 | 5.3 | 129.111 | 1629 | 9324 | 2357 | 9325 | 3945 | 28 | 2.29E-03 | GFL11 - 3A □□□ 080C22 MDSKA□□ 080-22 140 |
| 741 | 27 | 4.6 | 149.144 | 1881 | 9324 | 2722 | 9325 | 3894 | 24 | 2.15E-03 | GFL11 - 3A □□□ 080C22 MDSKA□□ 080-22 140 |
| 835 | 24 | 4.6 | 168.049 | 2120 | 9324 | 3068 | 9325 | 4387 | 21 | 2.15E-03 | GFL11 - 3A □□□ 080C22 MDSKA□□ 080-22 140 |
| 913 | 22 | 4.0 | 182.792 | 2306 | 9324 | 3337 | 9325 | 4233 | 20 | 2.09E-03 | GFL11 - 3A □□□ 080C22 MDSKA□□ 080-22 140 |
| 1029 | 20 | 4.0 | 205.963 | 2598 | 9324 | 3760 | 9325 | 4769 | 17 | 2.08E-03 | GFL11 - 3A □□□ 080C22 MDSKA□□ 080-22 140 |
| 1129 | 18 | 3.5 | 224.636 | 2834 | 9324 | 4100 | 9325 | 4523 | 16 | 2.07E-03 | GFL11 - 3A □□□ 080C22 MDSKA□□ 080-22 140 |
| 1272 | 16 | 3.5 | 253.111 | 3193 | 9324 | 4620 | 9325 | 5097 | 14 | 2.07E-03 | GFL11 - 3A □□□ 080C22 MDSKA□□ 080-22 140 |
| 1346 | 15 | 3.3 | 267.259 | 3371 | 9324 | 4878 | 9325 | 5106 | 13 | 2.11E-03 | GFL11 - 3A □□□ 080C22 MDSKA□□ 080-22 140 |
| 1656 | 13 | 2.9 | 327.556 | 4132 | 9324 | 5979 | 9325 | 5523 | 11 | 2.06E-03 | GFL11 - 3A □□□ 080C22 MDSKA□□ 080-22 140 |
| 1817 | 11 | 2.6 | 358.077 | 4517 | 9324 | 6536 | 9325 | 5283 | 10 | 1.99E-03 | GFL11 - 3A □□□ 080C22 MDSKA□□ 080-22 140 |
| 2048 | 10 | 2.6 | 403.467 | 5090 | 9324 | 7365 | 9325 | 5952 | 8.9 | 1.99E-03 | GFL11 - 3A □□□ 080C22 MDSKA□□ 080-22 140 |
| 2187 | 9.5 | 2.4 | 430.222 | 5427 | 9324 | 7853 | 9325 | 5942 | 8.4 | 2.01E-03 | GFL11 - 3A □□□ 080C22 MDSKA□□ 080-22 140 |
| 2667 | 7.9 | 2.0 | 522.133 | 6587 | 9324 | 8913 | 9325 | 5942 | 6.9 | 1.98E-03 | GFL11 - 3A □□□ 080C22 MDSKA□□ 080-22 140 |
| 2883 | 7.3 | 1.7 | 562.391 | 7095 | 9324 | 7979 | 9325 | 5319 | 6.4 | 1.98E-03 | GFL11 - 3A □□□ 080C22 MDSKA□□ 080-22 140 |
| 3249 | 6.5 | 1.6 | 633.680 | 7994 | 9324 | 8766 | 9325 | 5844 | 5.7 | 1.98E-03 | GFL11 - 3A □□□ 080C22 MDSKA□□ 080-22 140 |
| 651 | 35 | 4.3 | 65.306 | 1523 | 9324 | 2153 | 9325 | 2891 | 35 | 4.30E-03 | GFL11 - 3A □□□ 090C22 MDSKA□□ 090-22 80 |
| 735 | 31 | 3.8 | 73.335 | 1710 | 9324 | 2418 | 9325 | 2875 | 31 | 4.38E-03 | GFL11 - 3A □□□ 090C22 MDSKA□□ 090-22 80 |
| 828 | 28 | 3.8 | 82.631 | 1927 | 9324 | 2724 | 9325 | 3240 | 28 | 4.37E-03 | GFL11 - 3A □□□ 090C22 MDSKA□□ 090-22 80 |
| 942 | 25 | 3.3 | 93.540 | 2181 | 9324 | 3084 | 9325 | 3206 | 25 | 4.10E-03 | GFL11 - 3A □□□ 090C22 MDSKA□□ 090-22 80 |
| 1061 | 22 | 3.3 | 105.397 | 2458 | 9324 | 3475 | 9325 | 3613 | 22 | 4.10E-03 | GFL11 - 3A □□□ 090C22 MDSKA□□ 090-22 80 |
| 1158 | 20 | 3.0 | 114.586 | 2672 | 9324 | 3778 | 9325 | 3501 | 20 | 3.97E-03 | GFL11 - 3A □□□ 090C22 MDSKA□□ 090-22 80 |
| 1305 | 18 | 3.0 | 129.111 | 3011 | 9324 | 4257 | 9325 | 3945 | 18 | 3.97E-03 | GFL11 - 3A □□□ 090C22 MDSKA□□ 090-22 80 |
| 1515 | 15 | 2.5 | 149.144 | 3478 | 9324 | 4917 | 9325 | 3894 | 15 | 3.83E-03 | GFL11 - 3A □□□ 090C22 MDSKA□□ 090-22 80 |
| 1707 | 14 | 2.5 | 168.049 | 3919 | 9324 | 5541 | 9325 | 4387 | 14 | 3.83E-03 | GFL11 - 3A □□□ 090C22 MDSKA□□ 090-22 80 |
| 1862 | 13 | 2.2 | 182.792 | 4262 | 9324 | 6027 | 9325 | 4233 | 13 | 3.77E-03 | GFL11 - 3A □□□ 090C22 MDSKA□□ 090-22 80 |
| 2098 | 11 | 2.2 | 205.963 | 4803 | 9324 | 6791 | 9325 | 4769 | 11 | 3.76E-03 | GFL11 - 3A □□□ 090C22 MDSKA□□ 090-22 80 |
| 2295 | 10 | 2.0 | 224.636 | 5238 | 9324 | 6785 | 9325 | 4523 | 10 | 3.75E-03 | GFL11 - 3A □□□ 090C22 MDSKA□□ 090-22 80 |
| 2586 | 9.1 | 2.0 | 253.111 | 5902 | 9324 | 7645 | 9325 | 5097 | 9.1 | 3.75E-03 | GFL11 - 3A □□□ 090C22 MDSKA□□ 090-22 80 |
| 2734 | 8.6 | 1.9 | 267.259 | 6232 | 9324 | 7659 | 9325 | 5106 | 8.6 | 3.79E-03 | GFL11 - 3A □□□ 090C22 MDSKA□□ 090-22 80 |
| 3358 | 7.0 | 1.6 | 327.556 | 7638 | 9324 | 8284 | 9325 | 5523 | 7.0 | 3.74E-03 | GFL11 - 3A □□□ 090C22 MDSKA□□ 090-22 80 |
| 572 | 63 | 4.4 | 65.306 | 1460 | 9325 | 1748 | 9326 | 2891 | 48 | 4.30E-03 | GFL11 - 3A □□□ 090C22 MDSKA□□ 090-22 140 |

Observe the notes for thermal dimensioning.

Selection tables - Shaft-mounted helical gearboxes

Naturally ventilated asynchronous geared servo motors



| M ₂ [Nm] | n _{2 trans} [rpm] | c | i | M _{2 max} short-time on geared motor at | | | | M _{2 Gr} gearbox c=1 n ₁ ≤ 1400 rpm [Nm] | n _{2 therm} [rpm] | J _{GM} referred to motor shaft [kgm ²] | Servo shaft-mounted helical geared motor Dimensions on Page 4-82 |
|------------------------|-------------------------------|-----|---------|---|-------------|----------------------------|-------------|--|-------------------------------|---|---|
| | | | | 8 kHz | | 16 kHz | | | | | |
| | | | | M _{2 max} [Nm] | Type EVS | M _{2 max} [Nm] | Type EVS | | | | |
| 646 | 56 | 3.9 | 73.335 | 1640 | 9325 | 1962 | 9326 | 2875 | 42 | 4.38E-03 | GFL11 - 3A □□□ 090C22 MDSKA□□ 090-22 140 |
| 728 | 50 | 3.9 | 82.631 | 1848 | 9325 | 2211 | 9326 | 3240 | 38 | 4.37E-03 | GFL11 - 3A □□□ 090C22 MDSKA□□ 090-22 140 |
| 828 | 44 | 3.4 | 93.540 | 2092 | 9325 | 2503 | 9326 | 3206 | 33 | 4.10E-03 | GFL11 - 3A □□□ 090C22 MDSKA□□ 090-22 140 |
| 933 | 39 | 3.4 | 105.397 | 2357 | 9325 | 2820 | 9326 | 3613 | 30 | 4.10E-03 | GFL11 - 3A □□□ 090C22 MDSKA□□ 090-22 140 |
| 1018 | 36 | 3.0 | 114.586 | 2563 | 9325 | 3066 | 9326 | 3501 | 27 | 3.97E-03 | GFL11 - 3A □□□ 090C22 MDSKA□□ 090-22 140 |
| 1147 | 32 | 3.0 | 129.111 | 2887 | 9325 | 3455 | 9326 | 3945 | 24 | 3.97E-03 | GFL11 - 3A □□□ 090C22 MDSKA□□ 090-22 140 |
| 1332 | 28 | 2.6 | 149.144 | 3335 | 9325 | 3991 | 9326 | 3894 | 21 | 3.83E-03 | GFL11 - 3A □□□ 090C22 MDSKA□□ 090-22 140 |
| 1500 | 24 | 2.6 | 168.049 | 3758 | 9325 | 4497 | 9326 | 4387 | 19 | 3.83E-03 | GFL11 - 3A □□□ 090C22 MDSKA□□ 090-22 140 |
| 1637 | 22 | 2.3 | 182.792 | 4088 | 9325 | 4891 | 9326 | 4233 | 17 | 3.77E-03 | GFL11 - 3A □□□ 090C22 MDSKA□□ 090-22 140 |
| 1845 | 20 | 2.3 | 205.963 | 4606 | 9325 | 5511 | 9326 | 4769 | 15 | 3.76E-03 | GFL11 - 3A □□□ 090C22 MDSKA□□ 090-22 140 |
| 2018 | 18 | 2.0 | 224.636 | 5024 | 9325 | 6011 | 9326 | 4523 | 14 | 3.75E-03 | GFL11 - 3A □□□ 090C22 MDSKA□□ 090-22 140 |
| 2274 | 16 | 2.0 | 253.111 | 5660 | 9325 | 6773 | 9326 | 5097 | 12 | 3.75E-03 | GFL11 - 3A □□□ 090C22 MDSKA□□ 090-22 140 |
| 2404 | 15 | 1.9 | 267.259 | 5977 | 9325 | 7152 | 9326 | 5106 | 12 | 3.79E-03 | GFL11 - 3A □□□ 090C22 MDSKA□□ 090-22 140 |
| 2953 | 13 | 1.7 | 327.556 | 7325 | 9325 | 8284 | 9326 | 5523 | 9.5 | 3.74E-03 | GFL11 - 3A □□□ 090C22 MDSKA□□ 090-22 140 |
| 998 | 36 | 2.8 | 65.306 | 2946 | 9325 | 2110 | 9325 | 2891 | 36 | 7.90E-03 | GFL11 - 3A □□□ 100C22 MDSKA□□ 100-22 80 |
| 1124 | 32 | 2.5 | 73.335 | 3308 | 9325 | 2369 | 9325 | 2875 | 32 | 7.98E-03 | GFL11 - 3A □□□ 100C22 MDSKA□□ 100-22 80 |
| 1267 | 28 | 2.5 | 82.631 | 3727 | 9325 | 2669 | 9325 | 3240 | 28 | 7.97E-03 | GFL11 - 3A □□□ 100C22 MDSKA□□ 100-22 80 |
| 1439 | 25 | 2.2 | 93.540 | 4219 | 9325 | 3022 | 9325 | 3206 | 25 | 7.70E-03 | GFL11 - 3A □□□ 100C22 MDSKA□□ 100-22 80 |
| 1621 | 22 | 2.2 | 105.397 | 4754 | 9325 | 3405 | 9325 | 3613 | 22 | 7.70E-03 | GFL11 - 3A □□□ 100C22 MDSKA□□ 100-22 80 |
| 1767 | 20 | 2.0 | 114.586 | 5169 | 9325 | 3701 | 9325 | 3501 | 20 | 7.57E-03 | GFL11 - 3A □□□ 100C22 MDSKA□□ 100-22 80 |
| 1991 | 18 | 2.0 | 129.111 | 5824 | 9325 | 4171 | 9325 | 3945 | 18 | 7.57E-03 | GFL11 - 3A □□□ 100C22 MDSKA□□ 100-22 80 |
| 730 | 64 | 3.5 | 65.306 | 2702 | 9326 | 1610 | 9326 | 2891 | 37 | 7.90E-03 | GFL11 - 3A □□□ 100C22 MDSKA□□ 100-22 140 |
| 823 | 57 | 3.1 | 73.335 | 3035 | 9326 | 1808 | 9326 | 2875 | 33 | 7.98E-03 | GFL11 - 3A □□□ 100C22 MDSKA□□ 100-22 140 |
| 927 | 50 | 3.1 | 82.631 | 3419 | 9326 | 2037 | 9326 | 3240 | 30 | 7.97E-03 | GFL11 - 3A □□□ 100C22 MDSKA□□ 100-22 140 |
| 1054 | 44 | 2.7 | 93.540 | 3871 | 9326 | 2306 | 9326 | 3206 | 26 | 7.70E-03 | GFL11 - 3A □□□ 100C22 MDSKA□□ 100-22 140 |
| 1187 | 39 | 2.7 | 105.397 | 4361 | 9326 | 2599 | 9326 | 3613 | 23 | 7.70E-03 | GFL11 - 3A □□□ 100C22 MDSKA□□ 100-22 140 |
| 1295 | 36 | 2.4 | 114.586 | 4742 | 9326 | 2825 | 9326 | 3501 | 21 | 7.57E-03 | GFL11 - 3A □□□ 100C22 MDSKA□□ 100-22 140 |
| 1459 | 32 | 2.4 | 129.111 | 5343 | 9326 | 3183 | 9326 | 3945 | 19 | 7.57E-03 | GFL11 - 3A □□□ 100C22 MDSKA□□ 100-22 140 |
| 1712 | 34 | 1.7 | 73.335 | 4313 | 9326 | 3911 | 9326 | 2875 | 27 | 1.88E-02 | GFL11 - 3A □□□ 112C22 MDSKA□□ 112-22 85 |
| 1929 | 30 | 1.7 | 82.631 | 4859 | 9326 | 4406 | 9326 | 3240 | 24 | 1.88E-02 | GFL11 - 3A □□□ 112C22 MDSKA□□ 112-22 85 |
| 1177 | 57 | 2.2 | 73.335 | 3077 | 9326 | 2628 | 9327 | 2875 | 27 | 1.88E-02 | GFL11 - 3A □□□ 112C22 MDSKA□□ 112-22 140 |
| 1326 | 50 | 2.2 | 82.631 | 3467 | 9326 | 2961 | 9327 | 3240 | 24 | 1.88E-02 | GFL11 - 3A □□□ 112C22 MDSKA□□ 112-22 140 |
| 1204 | 29 | 5.6 | 79.875 | 3658 | 9325 | 2619 | 9325 | 7015 | 29 | 8.38E-03 | GFL14 - 2A □□□ 100C22 MDSKA□□ 100-22 80 |
| 1357 | 26 | 5.6 | 90.000 | 4122 | 9325 | 2951 | 9325 | 7905 | 26 | 8.35E-03 | GFL14 - 2A □□□ 100C22 MDSKA□□ 100-22 80 |

Observe the notes for thermal dimensioning.

Selection tables - Shaft-mounted helical gearboxes

Naturally ventilated asynchronous geared servo motors

| M ₂ [Nm] | n _{2 trans} [rpm] | c | i | M _{2 max} short-time on geared motor at | | | | M _{2 Gr} gearbox c=1 n ₁ ≤1400 rpm [Nm] | n _{2 therm} [rpm] | J _{GM} referred to motor shaft [kgm ²] | Servo shaft-mounted helical geared motor Dimensions on Page 4-82 |
|------------------------|-------------------------------|-----|---------|---|-------------|----------------------------|-------------|---|-------------------------------|---|---|
| | | | | 8 kHz | | 16 kHz | | | | | |
| | | | | M _{2 max} [Nm] | Type EVS | M _{2 max} [Nm] | Type EVS | | | | |
| 1233 | 9.9 | 5.5 | 202.074 | 2916 | 9323 | 4094 | 9324 | 7076 | 9.9 | 2.29E-03 | GFL14 - 3A □□□ 080C22 MDSKA□□ 080-22 70 |
| 1669 | 7.3 | 5.6 | 273.778 | 3951 | 9323 | 5547 | 9324 | 9753 | 7.3 | 2.50E-03 | GFL14 - 3A □□□ 080C22 MDSKA□□ 080-22 70 |
| 2041 | 6.0 | 5.0 | 332.444 | 4797 | 9323 | 6735 | 9324 | 10550 | 6.0 | 2.35E-03 | GFL14 - 3A □□□ 080C22 MDSKA□□ 080-22 70 |
| 2174 | 5.7 | 4.6 | 352.811 | 5091 | 9323 | 7148 | 9324 | 10343 | 5.7 | 2.14E-03 | GFL14 - 3A □□□ 080C22 MDSKA□□ 080-22 70 |
| 2451 | 5.0 | 4.6 | 397.533 | 5737 | 9323 | 8054 | 9324 | 11615 | 5.0 | 2.13E-03 | GFL14 - 3A □□□ 080C22 MDSKA□□ 080-22 70 |
| 2673 | 4.7 | 3.8 | 430.222 | 6208 | 9323 | 8716 | 9324 | 10560 | 4.7 | 2.19E-03 | GFL14 - 3A □□□ 080C22 MDSKA□□ 080-22 70 |
| 3268 | 3.8 | 3.2 | 522.133 | 7535 | 9323 | 10579 | 9324 | 10560 | 3.8 | 2.12E-03 | GFL14 - 3A □□□ 080C22 MDSKA□□ 080-22 70 |
| 3544 | 3.6 | 2.5 | 562.391 | 8116 | 9323 | 11394 | 9324 | 9036 | 3.6 | 2.11E-03 | GFL14 - 3A □□□ 080C22 MDSKA□□ 080-22 70 |
| 3997 | 3.2 | 2.4 | 633.680 | 9144 | 9323 | 12839 | 9324 | 9811 | 3.2 | 2.11E-03 | GFL14 - 3A □□□ 080C22 MDSKA□□ 080-22 70 |
| 4505 | 2.8 | 2.0 | 710.888 | 10259 | 9323 | 13555 | 9324 | 9036 | 2.8 | 2.05E-03 | GFL14 - 3A □□□ 080C22 MDSKA□□ 080-22 70 |
| 5080 | 2.5 | 1.9 | 801.000 | 11559 | 9323 | 14716 | 9324 | 9811 | 2.5 | 2.05E-03 | GFL14 - 3A □□□ 080C22 MDSKA□□ 080-22 70 |
| 1634 | 12 | 5.5 | 332.444 | 4194 | 9324 | 6068 | 9325 | 10550 | 11 | 2.35E-03 | GFL14 - 3A □□□ 080C22 MDSKA□□ 080-22 140 |
| 1742 | 12 | 5.1 | 352.811 | 4451 | 9324 | 6440 | 9325 | 10343 | 10 | 2.14E-03 | GFL14 - 3A □□□ 080C22 MDSKA□□ 080-22 140 |
| 1963 | 10 | 5.1 | 397.533 | 5015 | 9324 | 7256 | 9325 | 11615 | 9.0 | 2.13E-03 | GFL14 - 3A □□□ 080C22 MDSKA□□ 080-22 140 |
| 2144 | 9.5 | 4.3 | 430.222 | 5427 | 9324 | 7853 | 9325 | 10560 | 8.4 | 2.19E-03 | GFL14 - 3A □□□ 080C22 MDSKA□□ 080-22 140 |
| 2623 | 7.9 | 3.5 | 522.133 | 6587 | 9324 | 9531 | 9325 | 10560 | 6.9 | 2.12E-03 | GFL14 - 3A □□□ 080C22 MDSKA□□ 080-22 140 |
| 2847 | 7.3 | 2.8 | 562.391 | 7095 | 9324 | 10266 | 9325 | 9036 | 6.4 | 2.11E-03 | GFL14 - 3A □□□ 080C22 MDSKA□□ 080-22 140 |
| 3212 | 6.5 | 2.7 | 633.680 | 7994 | 9324 | 11567 | 9325 | 9811 | 5.7 | 2.11E-03 | GFL14 - 3A □□□ 080C22 MDSKA□□ 080-22 140 |
| 3622 | 5.8 | 2.2 | 710.888 | 8968 | 9324 | 12976 | 9325 | 9036 | 5.1 | 2.05E-03 | GFL14 - 3A □□□ 080C22 MDSKA□□ 080-22 140 |
| 4084 | 5.1 | 2.1 | 801.000 | 10105 | 9324 | 14621 | 9325 | 9811 | 4.5 | 2.05E-03 | GFL14 - 3A □□□ 080C22 MDSKA□□ 080-22 140 |
| 1028 | 22 | 5.8 | 104.889 | 2446 | 9324 | 3458 | 9325 | 6292 | 22 | 4.53E-03 | GFL14 - 3A □□□ 090C22 MDSKA□□ 090-22 80 |
| 1120 | 20 | 5.7 | 114.126 | 2661 | 9324 | 3763 | 9325 | 6719 | 20 | 4.43E-03 | GFL14 - 3A □□□ 090C22 MDSKA□□ 090-22 80 |
| 1262 | 18 | 5.7 | 128.593 | 2999 | 9324 | 4240 | 9325 | 7571 | 18 | 4.41E-03 | GFL14 - 3A □□□ 090C22 MDSKA□□ 090-22 80 |
| 1351 | 17 | 5.2 | 136.889 | 3192 | 9324 | 4513 | 9325 | 7359 | 17 | 5.28E-03 | GFL14 - 3A □□□ 090C22 MDSKA□□ 090-22 80 |
| 1545 | 15 | 5.0 | 156.148 | 3641 | 9324 | 5148 | 9325 | 7992 | 15 | 4.19E-03 | GFL14 - 3A □□□ 090C22 MDSKA□□ 090-22 80 |
| 1686 | 14 | 4.8 | 170.074 | 3966 | 9324 | 5608 | 9325 | 8408 | 14 | 4.30E-03 | GFL14 - 3A □□□ 090C22 MDSKA□□ 090-22 80 |
| 2021 | 11 | 4.0 | 202.074 | 4712 | 9324 | 6663 | 9325 | 8281 | 11 | 3.97E-03 | GFL14 - 3A □□□ 090C22 MDSKA□□ 090-22 80 |
| 2251 | 10 | 3.8 | 224.636 | 5238 | 9324 | 7406 | 9325 | 8739 | 10 | 4.07E-03 | GFL14 - 3A □□□ 090C22 MDSKA□□ 090-22 80 |
| 2537 | 9.1 | 3.8 | 253.111 | 5902 | 9324 | 8345 | 9325 | 9846 | 9.1 | 4.07E-03 | GFL14 - 3A □□□ 090C22 MDSKA□□ 090-22 80 |
| 2753 | 8.4 | 3.5 | 273.778 | 6384 | 9324 | 9027 | 9325 | 9753 | 8.4 | 4.18E-03 | GFL14 - 3A □□□ 090C22 MDSKA□□ 090-22 80 |
| 3357 | 6.9 | 3.1 | 332.444 | 7752 | 9324 | 10961 | 9325 | 10550 | 6.9 | 4.03E-03 | GFL14 - 3A □□□ 090C22 MDSKA□□ 090-22 80 |
| 3571 | 6.5 | 2.9 | 352.811 | 8227 | 9324 | 11632 | 9325 | 10389 | 6.5 | 3.82E-03 | GFL14 - 3A □□□ 090C22 MDSKA□□ 090-22 80 |
| 4024 | 5.8 | 2.8 | 397.533 | 9270 | 9324 | 13107 | 9325 | 11615 | 5.8 | 3.81E-03 | GFL14 - 3A □□□ 090C22 MDSKA□□ 090-22 80 |
| 4376 | 5.4 | 2.4 | 430.222 | 10032 | 9324 | 14185 | 9325 | 10560 | 5.4 | 3.87E-03 | GFL14 - 3A □□□ 090C22 MDSKA□□ 090-22 80 |

Observe the notes for thermal dimensioning.

Selection tables - Shaft-mounted helical gearboxes

Naturally ventilated asynchronous geared servo motors



| M ₂ [Nm] | n _{2 trans} [rpm] | c | i | M _{2 max} short-time on geared motor at | | | | M _{2 Gr} gearbox c=1 n ₁ ≤ 1400 rpm [Nm] | n _{2 therm} [rpm] | J _{GM} referred to motor shaft [kgm ²] | Servo shaft-mounted helical geared motor Dimensions on Page 4-82 |
|------------------------|-------------------------------|-----|---------|--|-------------|----------------------------|-------------|---|-------------------------------|--|---|
| | | | | 8 kHz | | 16 kHz | | | | | |
| | | | | M _{2 max} [Nm] | Type EVS | M _{2 max} [Nm] | Type EVS | | | | |
| 5335 | 4.4 | 2.0 | 522.133 | 12175 | 9324 | 15840 | 9325 | 10560 | 4.4 | 3.80E-03 | GFL14 - 3A □□□ 090C22 MDSKA□□ 090-22 80 |
| 5771 | 4.1 | 1.6 | 562.391 | 13114 | 9324 | 13555 | 9325 | 9036 | 4.1 | 3.79E-03 | GFL14 - 3A □□□ 090C22 MDSKA□□ 090-22 80 |
| 6506 | 3.6 | 1.5 | 633.680 | 14716 | 9324 | 14716 | 9325 | 9811 | 3.6 | 3.79E-03 | GFL14 - 3A □□□ 090C22 MDSKA□□ 090-22 80 |
| 903 | 39 | 5.9 | 104.889 | 2346 | 9325 | 2807 | 9326 | 6292 | 30 | 4.53E-03 | GFL14 - 3A □□□ 090C22 MDSKA□□ 090-22 140 |
| 984 | 36 | 5.8 | 114.126 | 2552 | 9325 | 3054 | 9326 | 6719 | 27 | 4.43E-03 | GFL14 - 3A □□□ 090C22 MDSKA□□ 090-22 140 |
| 1108 | 32 | 5.8 | 128.593 | 2876 | 9325 | 3441 | 9326 | 7571 | 24 | 4.41E-03 | GFL14 - 3A □□□ 090C22 MDSKA□□ 090-22 140 |
| 1186 | 30 | 5.3 | 136.889 | 3061 | 9325 | 3663 | 9326 | 7359 | 23 | 5.28E-03 | GFL14 - 3A □□□ 090C22 MDSKA□□ 090-22 140 |
| 1357 | 26 | 5.1 | 156.148 | 3492 | 9325 | 4178 | 9326 | 7992 | 20 | 4.19E-03 | GFL14 - 3A □□□ 090C22 MDSKA□□ 090-22 140 |
| 1481 | 24 | 4.9 | 170.074 | 3803 | 9325 | 4551 | 9326 | 8408 | 18 | 4.30E-03 | GFL14 - 3A □□□ 090C22 MDSKA□□ 090-22 140 |
| 1776 | 20 | 4.1 | 202.074 | 4519 | 9325 | 5407 | 9326 | 8281 | 15 | 3.97E-03 | GFL14 - 3A □□□ 090C22 MDSKA□□ 090-22 140 |
| 1978 | 18 | 3.9 | 224.636 | 5024 | 9325 | 6011 | 9326 | 8739 | 14 | 4.07E-03 | GFL14 - 3A □□□ 090C22 MDSKA□□ 090-22 140 |
| 2229 | 16 | 3.9 | 253.111 | 5660 | 9325 | 6773 | 9326 | 9846 | 12 | 4.07E-03 | GFL14 - 3A □□□ 090C22 MDSKA□□ 090-22 140 |
| 2420 | 15 | 3.5 | 273.778 | 6122 | 9325 | 7326 | 9326 | 9753 | 11 | 4.18E-03 | GFL14 - 3A □□□ 090C22 MDSKA□□ 090-22 140 |
| 2950 | 12 | 3.1 | 332.444 | 7434 | 9325 | 8896 | 9326 | 10550 | 9.4 | 4.03E-03 | GFL14 - 3A □□□ 090C22 MDSKA□□ 090-22 140 |
| 3139 | 12 | 2.9 | 352.811 | 7890 | 9325 | 9441 | 9326 | 10389 | 8.8 | 3.82E-03 | GFL14 - 3A □□□ 090C22 MDSKA□□ 090-22 140 |
| 3537 | 10 | 2.9 | 397.533 | 8890 | 9325 | 10638 | 9326 | 11615 | 7.8 | 3.81E-03 | GFL14 - 3A □□□ 090C22 MDSKA□□ 090-22 140 |
| 3847 | 9.6 | 2.4 | 430.222 | 9621 | 9325 | 11512 | 9326 | 10560 | 7.2 | 3.87E-03 | GFL14 - 3A □□□ 090C22 MDSKA□□ 090-22 140 |
| 4690 | 7.9 | 2.0 | 522.133 | 11676 | 9325 | 13972 | 9326 | 10560 | 6.0 | 3.80E-03 | GFL14 - 3A □□□ 090C22 MDSKA□□ 090-22 140 |
| 5074 | 7.3 | 1.6 | 562.391 | 12577 | 9325 | 13555 | 9326 | 9036 | 5.5 | 3.79E-03 | GFL14 - 3A □□□ 090C22 MDSKA□□ 090-22 140 |
| 5721 | 6.5 | 1.5 | 633.680 | 14171 | 9325 | 14716 | 9326 | 9811 | 4.9 | 3.79E-03 | GFL14 - 3A □□□ 090C22 MDSKA□□ 090-22 140 |
| 955 | 36 | 5.5 | 64.296 | 2900 | 9325 | 2077 | 9325 | 5610 | 36 | 9.83E-03 | GFL14 - 3A □□□ 100C22 MDSKA□□ 100-22 80 |
| 1025 | 34 | 5.1 | 68.708 | 3099 | 9325 | 2219 | 9325 | 5416 | 34 | 9.19E-03 | GFL14 - 3A □□□ 100C22 MDSKA□□ 100-22 80 |
| 1155 | 30 | 5.1 | 77.418 | 3492 | 9325 | 2501 | 9325 | 6103 | 30 | 9.14E-03 | GFL14 - 3A □□□ 100C22 MDSKA□□ 100-22 80 |
| 1273 | 28 | 4.7 | 85.037 | 3836 | 9325 | 2747 | 9325 | 6276 | 28 | 9.36E-03 | GFL14 - 3A □□□ 100C22 MDSKA□□ 100-22 80 |
| 1579 | 22 | 4.2 | 104.889 | 4731 | 9325 | 3388 | 9325 | 6888 | 22 | 8.13E-03 | GFL14 - 3A □□□ 100C22 MDSKA□□ 100-22 80 |
| 1726 | 21 | 3.8 | 114.126 | 5148 | 9325 | 3687 | 9325 | 6719 | 21 | 8.03E-03 | GFL14 - 3A □□□ 100C22 MDSKA□□ 100-22 80 |
| 1945 | 18 | 3.8 | 128.593 | 5801 | 9325 | 4154 | 9325 | 7571 | 18 | 8.01E-03 | GFL14 - 3A □□□ 100C22 MDSKA□□ 100-22 80 |
| 2078 | 17 | 3.5 | 136.889 | 6175 | 9325 | 4422 | 9325 | 7359 | 17 | 8.88E-03 | GFL14 - 3A □□□ 100C22 MDSKA□□ 100-22 80 |
| 2372 | 15 | 3.4 | 156.148 | 7044 | 9325 | 5044 | 9325 | 8227 | 15 | 7.79E-03 | GFL14 - 3A □□□ 100C22 MDSKA□□ 100-22 80 |
| 2589 | 14 | 3.2 | 170.074 | 7672 | 9325 | 5494 | 9325 | 8408 | 14 | 7.90E-03 | GFL14 - 3A □□□ 100C22 MDSKA□□ 100-22 80 |
| 3444 | 10 | 2.5 | 224.636 | 10133 | 9325 | 7256 | 9325 | 8739 | 10 | 7.67E-03 | GFL14 - 3A □□□ 100C22 MDSKA□□ 100-22 80 |
| 3881 | 9.2 | 2.5 | 253.111 | 11417 | 9325 | 8176 | 9325 | 9846 | 9.2 | 7.67E-03 | GFL14 - 3A □□□ 100C22 MDSKA□□ 100-22 80 |
| 4207 | 8.6 | 2.3 | 273.778 | 12350 | 9325 | 8844 | 9325 | 9753 | 8.6 | 7.78E-03 | GFL14 - 3A □□□ 100C22 MDSKA□□ 100-22 80 |
| 5122 | 7.0 | 2.0 | 332.444 | 14996 | 9325 | 10739 | 9325 | 10550 | 7.0 | 7.63E-03 | GFL14 - 3A □□□ 100C22 MDSKA□□ 100-22 80 |

Observe the notes for thermal dimensioning.

Selection tables - Shaft-mounted helical gearboxes

Naturally ventilated asynchronous geared servo motors

| M ₂ [Nm] | n ₂ trans [rpm] | c | i | M ₂ max short-time on geared motor at | | | | M ₂ Gr gearbox c=1 n ₁ ≤ 1400 rpm [Nm] | n ₂ therm [rpm] | J _{GM} referred to motor shaft [kgm ²] | Servo shaft-mounted helical geared motor Dimensions on Page 4-82 |
|------------------------|-------------------------------|-----|---------|---|-------------|----------------------------|-------------|--|-------------------------------|---|---|
| | | | | 8 kHz | | 16 kHz | | | | | |
| | | | | M ₂ max [Nm] | Type EVS | M ₂ max [Nm] | Type EVS | | | | |
| 926 | 49 | 5.8 | 85.037 | 3519 | 9326 | 2097 | 9326 | 6276 | 29 | 9.36E-03 | GFL14 - 3A □□□ 100C22 MDSKA□□ 100-22 140 |
| 1151 | 40 | 5.1 | 104.889 | 4340 | 9326 | 2586 | 9326 | 6888 | 23 | 8.13E-03 | GFL14 - 3A □□□ 100C22 MDSKA□□ 100-22 140 |
| 1259 | 36 | 4.6 | 114.126 | 4723 | 9326 | 2814 | 9326 | 6719 | 21 | 8.03E-03 | GFL14 - 3A □□□ 100C22 MDSKA□□ 100-22 140 |
| 1419 | 32 | 4.6 | 128.593 | 5321 | 9326 | 3171 | 9326 | 7571 | 19 | 8.01E-03 | GFL14 - 3A □□□ 100C22 MDSKA□□ 100-22 140 |
| 1517 | 30 | 4.2 | 136.889 | 5665 | 9326 | 3375 | 9326 | 7359 | 18 | 8.88E-03 | GFL14 - 3A □□□ 100C22 MDSKA□□ 100-22 140 |
| 1732 | 27 | 4.1 | 156.148 | 6462 | 9326 | 3850 | 9326 | 8227 | 16 | 7.79E-03 | GFL14 - 3A □□□ 100C22 MDSKA□□ 100-22 140 |
| 1892 | 24 | 3.9 | 170.074 | 7038 | 9326 | 4193 | 9326 | 8408 | 14 | 7.90E-03 | GFL14 - 3A □□□ 100C22 MDSKA□□ 100-22 140 |
| 2521 | 18 | 3.0 | 224.636 | 9296 | 9326 | 5539 | 9326 | 8739 | 11 | 7.67E-03 | GFL14 - 3A □□□ 100C22 MDSKA□□ 100-22 140 |
| 2841 | 16 | 3.0 | 253.111 | 10474 | 9326 | 6241 | 9326 | 9846 | 9.7 | 7.67E-03 | GFL14 - 3A □□□ 100C22 MDSKA□□ 100-22 140 |
| 3081 | 15 | 2.8 | 273.778 | 11329 | 9326 | 6750 | 9326 | 9753 | 8.9 | 7.78E-03 | GFL14 - 3A □□□ 100C22 MDSKA□□ 100-22 140 |
| 3753 | 12 | 2.5 | 332.444 | 13757 | 9326 | 8197 | 9326 | 10550 | 7.4 | 7.63E-03 | GFL14 - 3A □□□ 100C22 MDSKA□□ 100-22 140 |
| 1471 | 39 | 3.6 | 64.296 | 4793 | 9326 | 3429 | 9326 | 5610 | 31 | 2.06E-02 | GFL14 - 3A □□□ 112C22 MDSKA□□ 112-22 85 |
| 1576 | 36 | 3.4 | 68.708 | 5122 | 9326 | 3664 | 9326 | 5416 | 29 | 2.00E-02 | GFL14 - 3A □□□ 112C22 MDSKA□□ 112-22 85 |
| 1775 | 32 | 3.4 | 77.418 | 5771 | 9326 | 4128 | 9326 | 6103 | 26 | 1.99E-02 | GFL14 - 3A □□□ 112C22 MDSKA□□ 112-22 85 |
| 1954 | 29 | 3.1 | 85.037 | 6339 | 9326 | 4535 | 9326 | 6276 | 24 | 2.02E-02 | GFL14 - 3A □□□ 112C22 MDSKA□□ 112-22 85 |
| 3175 | 18 | 2.3 | 136.889 | 10204 | 9326 | 7300 | 9326 | 7359 | 15 | 1.97E-02 | GFL14 - 3A □□□ 112C22 MDSKA□□ 112-22 85 |
| 1008 | 65 | 4.3 | 64.296 | 2698 | 9326 | 2304 | 9327 | 5610 | 31 | 2.06E-02 | GFL14 - 3A □□□ 112C22 MDSKA□□ 112-22 140 |
| 1077 | 61 | 4.4 | 68.708 | 2883 | 9326 | 2462 | 9327 | 5416 | 29 | 2.00E-02 | GFL14 - 3A □□□ 112C22 MDSKA□□ 112-22 140 |
| 1214 | 54 | 4.4 | 77.418 | 3248 | 9326 | 2775 | 9327 | 6103 | 26 | 1.99E-02 | GFL14 - 3A □□□ 112C22 MDSKA□□ 112-22 140 |
| 1337 | 49 | 4.1 | 85.037 | 3568 | 9326 | 3048 | 9327 | 6276 | 24 | 2.02E-02 | GFL14 - 3A □□□ 112C22 MDSKA□□ 112-22 140 |
| 2178 | 30 | 3.0 | 136.889 | 5743 | 9326 | 4906 | 9327 | 7359 | 15 | 1.97E-02 | GFL14 - 3A □□□ 112C22 MDSKA□□ 112-22 140 |

Observe the notes for thermal dimensioning.

Selection tables - Shaft-mounted helical gearboxes

Forced ventilated asynchronous geared servo motors



| M ₂ [Nm] | n _{2 trans} [rpm] | c | i | M _{2 max} short-time on geared motor at | | | | M _{2 Gr} gearbox c=1 n ₁ ≤ 1400 rpm [Nm] | n _{2 therm} [rpm] | J _{GM} referred to motor shaft [kgm ²] | Servo shaft-mounted helical geared motor Dimensions on Page 4-82 |
|------------------------|-------------------------------|-----|--------|--|-------------|----------------------------|-------------|---|-------------------------------|--|---|
| | | | | 8 kHz | | 16 kHz | | | | | |
| | | | | M _{2 max} [Nm] | Type EVS | M _{2 max} [Nm] | Type EVS | | | | |
| 22 | 932 | 3.7 | 3.659 | 46 | 9324 | 68 | 9325 | 109 | 932 | 9.81E-04 | GFL04 - 2A □□□ 071C22 MDFKA□□ 071-22 120 |
| 30 | 680 | 2.8 | 5.018 | 63 | 9324 | 93 | 9325 | 111 | 680 | 9.16E-04 | GFL04 - 2A □□□ 071C22 MDFKA□□ 071-22 120 |
| 35 | 585 | 3.3 | 5.833 | 74 | 9324 | 108 | 9325 | 153 | 572 | 9.23E-04 | GFL04 - 2A □□□ 071C22 MDFKA□□ 071-22 120 |
| 39 | 531 | 2.2 | 6.422 | 81 | 9324 | 118 | 9325 | 113 | 531 | 8.86E-04 | GFL04 - 2A □□□ 071C22 MDFKA□□ 071-22 120 |
| 42 | 485 | 2.0 | 7.025 | 89 | 9324 | 130 | 9325 | 113 | 485 | 8.77E-04 | GFL04 - 2A □□□ 071C22 MDFKA□□ 071-22 120 |
| 50 | 407 | 2.7 | 8.379 | 106 | 9324 | 155 | 9325 | 179 | 382 | 8.97E-04 | GFL04 - 2A □□□ 071C22 MDFKA□□ 071-22 120 |
| 56 | 365 | 2.2 | 9.333 | 118 | 9324 | 172 | 9325 | 165 | 330 | 8.91E-04 | GFL04 - 2A □□□ 071C22 MDFKA□□ 071-22 120 |
| 62 | 333 | 1.9 | 10.238 | 129 | 9324 | 189 | 9325 | 159 | 333 | 8.67E-04 | GFL04 - 2A □□□ 071C22 MDFKA□□ 071-22 120 |
| 70 | 297 | 2.0 | 11.491 | 145 | 9324 | 212 | 9325 | 181 | 294 | 8.71E-04 | GFL04 - 2A □□□ 071C22 MDFKA□□ 071-22 120 |
| 78 | 266 | 1.6 | 12.800 | 161 | 9324 | 236 | 9325 | 166 | 240 | 8.68E-04 | GFL04 - 2A □□□ 071C22 MDFKA□□ 071-22 120 |
| 89 | 232 | 1.5 | 14.706 | 186 | 9324 | 271 | 9325 | 182 | 232 | 8.58E-04 | GFL04 - 2A □□□ 071C22 MDFKA□□ 071-22 120 |
| 98 | 212 | 1.4 | 16.087 | 203 | 9324 | 273 | 9325 | 182 | 212 | 8.55E-04 | GFL04 - 2A □□□ 071C22 MDFKA□□ 071-22 120 |
| 109 | 190 | 1.2 | 17.920 | 226 | 9324 | 251 | 9325 | 167 | 181 | 8.53E-04 | GFL04 - 2A □□□ 071C22 MDFKA□□ 071-22 120 |
| 125 | 166 | 1.1 | 20.519 | 259 | 9324 | 275 | 9325 | 183 | 166 | 8.47E-04 | GFL04 - 2A □□□ 071C22 MDFKA□□ 071-22 120 |
| 154 | 136 | 1.0 | 25.136 | 275 | 9324 | 275 | 9325 | 183 | 136 | 8.43E-04 | GFL04 - 2A □□□ 071C22 MDFKA□□ 071-22 120 |
| 20 | 1023 | 5.1 | 3.333 | 42 | 9324 | 61 | 9325 | 138 | 910 | 9.98E-04 | GFL05 - 2A □□□ 071C22 MDFKA□□ 071-22 120 |
| 27 | 746 | 4.6 | 4.571 | 58 | 9324 | 84 | 9325 | 170 | 746 | 1.04E-03 | GFL05 - 2A □□□ 071C22 MDFKA□□ 071-22 120 |
| 30 | 664 | 5.1 | 5.133 | 65 | 9324 | 95 | 9325 | 212 | 591 | 1.07E-03 | GFL05 - 2A □□□ 071C22 MDFKA□□ 071-22 120 |
| 33 | 602 | 5.1 | 5.667 | 72 | 9324 | 105 | 9325 | 233 | 535 | 1.06E-03 | GFL05 - 2A □□□ 071C22 MDFKA□□ 071-22 120 |
| 38 | 533 | 3.4 | 6.400 | 81 | 9324 | 118 | 9325 | 173 | 533 | 9.12E-04 | GFL05 - 2A □□□ 071C22 MDFKA□□ 071-22 120 |
| 42 | 484 | 4.4 | 7.040 | 89 | 9324 | 130 | 9325 | 248 | 484 | 9.77E-04 | GFL05 - 2A □□□ 071C22 MDFKA□□ 071-22 120 |
| 46 | 439 | 4.1 | 7.771 | 98 | 9324 | 143 | 9325 | 258 | 439 | 9.75E-04 | GFL05 - 2A □□□ 071C22 MDFKA□□ 071-22 120 |
| 54 | 378 | 3.7 | 9.010 | 114 | 9324 | 166 | 9325 | 266 | 378 | 9.25E-04 | GFL05 - 2A □□□ 071C22 MDFKA□□ 071-22 120 |
| 59 | 343 | 3.4 | 9.946 | 125 | 9324 | 183 | 9325 | 275 | 343 | 9.19E-04 | GFL05 - 2A □□□ 071C22 MDFKA□□ 071-22 120 |
| 68 | 300 | 3.0 | 11.360 | 143 | 9324 | 209 | 9325 | 278 | 283 | 9.38E-04 | GFL05 - 2A □□□ 071C22 MDFKA□□ 071-22 120 |
| 77 | 266 | 2.8 | 12.800 | 161 | 9324 | 236 | 9325 | 285 | 246 | 9.31E-04 | GFL05 - 2A □□□ 071C22 MDFKA□□ 071-22 120 |
| 87 | 235 | 2.6 | 14.538 | 183 | 9324 | 268 | 9325 | 301 | 235 | 9.05E-04 | GFL05 - 2A □□□ 071C22 MDFKA□□ 071-22 120 |
| 96 | 214 | 2.4 | 15.904 | 201 | 9324 | 293 | 9325 | 310 | 214 | 8.90E-04 | GFL05 - 2A □□□ 071C22 MDFKA□□ 071-22 120 |
| 108 | 190 | 2.2 | 17.920 | 226 | 9324 | 330 | 9325 | 312 | 190 | 8.91E-04 | GFL05 - 2A □□□ 071C22 MDFKA□□ 071-22 120 |
| 123 | 168 | 2.0 | 20.286 | 256 | 9324 | 374 | 9325 | 333 | 168 | 8.73E-04 | GFL05 - 2A □□□ 071C22 MDFKA□□ 071-22 120 |
| 139 | 149 | 1.7 | 22.857 | 288 | 9324 | 421 | 9325 | 313 | 149 | 8.73E-04 | GFL05 - 2A □□□ 071C22 MDFKA□□ 071-22 120 |
| 150 | 137 | 2.0 | 24.850 | 313 | 9324 | 458 | 9325 | 344 | 137 | 8.65E-04 | GFL05 - 2A □□□ 071C22 MDFKA□□ 071-22 120 |
| 170 | 122 | 1.6 | 28.000 | 353 | 9324 | 471 | 9325 | 314 | 122 | 8.63E-04 | GFL05 - 2A □□□ 071C22 MDFKA□□ 071-22 120 |
| 197 | 105 | 1.5 | 32.344 | 408 | 9324 | 518 | 9325 | 345 | 105 | 8.50E-04 | GFL05 - 2A □□□ 071C22 MDFKA□□ 071-22 120 |

Observe the notes for thermal dimensioning.

Selection tables - Shaft-mounted helical gearboxes

Forced ventilated asynchronous geared servo motors

| M ₂ [Nm] | n _{2 trans} [rpm] | c | i | M _{2 max} short-time on geared motor at | | | | M _{2 Gr} gearbox c=1 n ₁ ≤1400 rpm [Nm] | n _{2 therm} [rpm] | J _{GM} referred to motor shaft [kgm ²] | Servo shaft-mounted helical geared motor Dimensions on Page 4-82 |
|------------------------|-------------------------------|-----|--------|---|-------------|----------------------------|-------------|---|-------------------------------|---|---|
| | | | | 8 kHz | | 16 kHz | | | | | |
| | | | | M _{2 max} [Nm] | Type EVS | M _{2 max} [Nm] | Type EVS | | | | |
| 222 | 94 | 1.2 | 36.444 | 460 | 9324 | 474 | 9325 | 316 | 94 | 8.50E-04 | GFL05 - 2A □□□ 071C22 MDFKA□□ 071-22 120 |
| 245 | 85 | 1.2 | 40.233 | 508 | 9324 | 518 | 9325 | 345 | 85 | 8.45E-04 | GFL05 - 2A □□□ 071C22 MDFKA□□ 071-22 120 |
| 38 | 491 | 4.2 | 3.333 | 96 | 9324 | 70 | 9324 | 166 | 491 | 2.09E-03 | GFL05 - 2A □□□ 080C22 MDFKA□□ 080-22 60 |
| 52 | 358 | 3.1 | 4.571 | 131 | 9324 | 95 | 9324 | 170 | 358 | 2.13E-03 | GFL05 - 2A □□□ 080C22 MDFKA□□ 080-22 60 |
| 58 | 319 | 3.6 | 5.133 | 147 | 9324 | 107 | 9324 | 223 | 319 | 2.16E-03 | GFL05 - 2A □□□ 080C22 MDFKA□□ 080-22 60 |
| 64 | 289 | 3.4 | 5.667 | 163 | 9324 | 118 | 9324 | 233 | 289 | 2.15E-03 | GFL05 - 2A □□□ 080C22 MDFKA□□ 080-22 60 |
| 74 | 255 | 2.3 | 6.400 | 184 | 9324 | 134 | 9324 | 173 | 255 | 2.00E-03 | GFL05 - 2A □□□ 080C22 MDFKA□□ 080-22 60 |
| 80 | 232 | 2.9 | 7.040 | 202 | 9324 | 147 | 9324 | 248 | 232 | 2.07E-03 | GFL05 - 2A □□□ 080C22 MDFKA□□ 080-22 60 |
| 89 | 210 | 2.8 | 7.771 | 223 | 9324 | 162 | 9324 | 258 | 210 | 2.07E-03 | GFL05 - 2A □□□ 080C22 MDFKA□□ 080-22 60 |
| 103 | 181 | 2.5 | 9.010 | 259 | 9324 | 188 | 9324 | 266 | 181 | 2.02E-03 | GFL05 - 2A □□□ 080C22 MDFKA□□ 080-22 60 |
| 114 | 164 | 2.3 | 9.946 | 286 | 9324 | 208 | 9324 | 275 | 164 | 2.01E-03 | GFL05 - 2A □□□ 080C22 MDFKA□□ 080-22 60 |
| 131 | 144 | 2.0 | 11.360 | 326 | 9324 | 237 | 9324 | 278 | 144 | 2.03E-03 | GFL05 - 2A □□□ 080C22 MDFKA□□ 080-22 60 |
| 148 | 128 | 1.9 | 12.800 | 368 | 9324 | 267 | 9324 | 285 | 128 | 2.02E-03 | GFL05 - 2A □□□ 080C22 MDFKA□□ 080-22 60 |
| 168 | 112 | 1.7 | 14.538 | 418 | 9324 | 303 | 9324 | 301 | 112 | 1.99E-03 | GFL05 - 2A □□□ 080C22 MDFKA□□ 080-22 60 |
| 184 | 103 | 1.6 | 15.904 | 457 | 9324 | 332 | 9324 | 310 | 103 | 1.98E-03 | GFL05 - 2A □□□ 080C22 MDFKA□□ 080-22 60 |
| 208 | 91 | 1.5 | 17.920 | 468 | 9324 | 374 | 9324 | 312 | 91 | 1.98E-03 | GFL05 - 2A □□□ 080C22 MDFKA□□ 080-22 60 |
| 235 | 81 | 1.4 | 20.286 | 499 | 9324 | 423 | 9324 | 333 | 81 | 1.96E-03 | GFL05 - 2A □□□ 080C22 MDFKA□□ 080-22 60 |
| 266 | 72 | 1.1 | 22.857 | 470 | 9324 | 470 | 9324 | 313 | 72 | 1.96E-03 | GFL05 - 2A □□□ 080C22 MDFKA□□ 080-22 60 |
| 289 | 66 | 1.2 | 24.850 | 516 | 9324 | 516 | 9324 | 344 | 66 | 1.95E-03 | GFL05 - 2A □□□ 080C22 MDFKA□□ 080-22 60 |
| 34 | 1037 | 3.6 | 3.333 | 95 | 9325 | 69 | 9325 | 166 | 849 | 2.09E-03 | GFL05 - 2A □□□ 080C22 MDFKA□□ 080-22 120 |
| 47 | 756 | 2.7 | 4.571 | 130 | 9325 | 94 | 9325 | 170 | 686 | 2.13E-03 | GFL05 - 2A □□□ 080C22 MDFKA□□ 080-22 120 |
| 53 | 673 | 3.1 | 5.133 | 146 | 9325 | 106 | 9325 | 223 | 536 | 2.16E-03 | GFL05 - 2A □□□ 080C22 MDFKA□□ 080-22 120 |
| 58 | 610 | 3.0 | 5.667 | 161 | 9325 | 117 | 9325 | 233 | 480 | 2.15E-03 | GFL05 - 2A □□□ 080C22 MDFKA□□ 080-22 120 |
| 66 | 540 | 2.0 | 6.400 | 182 | 9325 | 132 | 9325 | 173 | 527 | 2.00E-03 | GFL05 - 2A □□□ 080C22 MDFKA□□ 080-22 120 |
| 73 | 491 | 2.5 | 7.040 | 200 | 9325 | 145 | 9325 | 248 | 440 | 2.07E-03 | GFL05 - 2A □□□ 080C22 MDFKA□□ 080-22 120 |
| 80 | 445 | 2.4 | 7.771 | 221 | 9325 | 160 | 9325 | 258 | 394 | 2.07E-03 | GFL05 - 2A □□□ 080C22 MDFKA□□ 080-22 120 |
| 93 | 383 | 2.1 | 9.010 | 256 | 9325 | 185 | 9325 | 266 | 366 | 2.02E-03 | GFL05 - 2A □□□ 080C22 MDFKA□□ 080-22 120 |
| 103 | 347 | 2.0 | 9.946 | 283 | 9325 | 205 | 9325 | 275 | 329 | 2.01E-03 | GFL05 - 2A □□□ 080C22 MDFKA□□ 080-22 120 |
| 118 | 304 | 1.8 | 11.360 | 323 | 9325 | 234 | 9325 | 278 | 243 | 2.03E-03 | GFL05 - 2A □□□ 080C22 MDFKA□□ 080-22 120 |
| 133 | 270 | 1.6 | 12.800 | 364 | 9325 | 263 | 9325 | 285 | 204 | 2.02E-03 | GFL05 - 2A □□□ 080C22 MDFKA□□ 080-22 120 |
| 152 | 238 | 1.5 | 14.538 | 413 | 9325 | 299 | 9325 | 301 | 195 | 1.99E-03 | GFL05 - 2A □□□ 080C22 MDFKA□□ 080-22 120 |
| 166 | 217 | 1.4 | 15.904 | 452 | 9325 | 327 | 9325 | 310 | 181 | 1.98E-03 | GFL05 - 2A □□□ 080C22 MDFKA□□ 080-22 120 |
| 187 | 193 | 1.3 | 17.920 | 468 | 9325 | 369 | 9325 | 312 | 154 | 1.98E-03 | GFL05 - 2A □□□ 080C22 MDFKA□□ 080-22 120 |
| 212 | 170 | 1.2 | 20.286 | 499 | 9325 | 417 | 9325 | 333 | 155 | 1.96E-03 | GFL05 - 2A □□□ 080C22 MDFKA□□ 080-22 120 |

Observe the notes for thermal dimensioning.

Selection tables - Shaft-mounted helical gearboxes

Forced ventilated asynchronous geared servo motors



| M ₂ [Nm] | n ₂ trans [rpm] | c | i | M ₂ max short-time on geared motor at | | | | M ₂ Gr gearbox c=1 n ₁ ≤ 1400 rpm [Nm] | n ₂ therm [rpm] | J _{GM} referred to motor shaft [kgm ²] | Servo shaft-mounted helical geared motor Dimensions on Page 4-82 |
|------------------------|-------------------------------|-----|--------|---|-------------|----------------------------|-------------|--|-------------------------------|---|---|
| | | | | 8 kHz | | 16 kHz | | | | | |
| | | | | M ₂ max [Nm] | Type EVS | M ₂ max [Nm] | Type EVS | | | | |
| 260 | 139 | 1.1 | 24.850 | 516 | 9325 | 511 | 9325 | 344 | 139 | 1.95E-03 | GFL05 - 2A □□□ 080C22 MDFKA□□ 080-22 120 |
| 38 | 529 | 5.1 | 6.450 | 81 | 9324 | 119 | 9325 | 263 | 529 | 1.20E-03 | GFL06 - 2A □□□ 071C22 MDFKA□□ 071-22 120 |
| 59 | 338 | 5.1 | 10.092 | 127 | 9324 | 186 | 9325 | 412 | 338 | 1.08E-03 | GFL06 - 2A □□□ 071C22 MDFKA□□ 071-22 120 |
| 86 | 231 | 5.1 | 14.743 | 186 | 9324 | 272 | 9325 | 602 | 231 | 1.03E-03 | GFL06 - 2A □□□ 071C22 MDFKA□□ 071-22 120 |
| 95 | 211 | 5.0 | 16.128 | 203 | 9324 | 297 | 9325 | 643 | 211 | 9.98E-04 | GFL06 - 2A □□□ 071C22 MDFKA□□ 071-22 120 |
| 108 | 188 | 4.1 | 18.169 | 229 | 9324 | 335 | 9325 | 600 | 188 | 9.87E-04 | GFL06 - 2A □□□ 071C22 MDFKA□□ 071-22 120 |
| 122 | 166 | 3.9 | 20.571 | 260 | 9324 | 379 | 9325 | 645 | 166 | 9.49E-04 | GFL06 - 2A □□□ 071C22 MDFKA□□ 071-22 120 |
| 138 | 147 | 3.2 | 23.175 | 292 | 9324 | 427 | 9325 | 604 | 147 | 9.43E-04 | GFL06 - 2A □□□ 071C22 MDFKA□□ 071-22 120 |
| 150 | 135 | 3.6 | 25.200 | 318 | 9324 | 465 | 9325 | 651 | 135 | 9.20E-04 | GFL06 - 2A □□□ 071C22 MDFKA□□ 071-22 120 |
| 170 | 120 | 3.0 | 28.389 | 358 | 9324 | 523 | 9325 | 607 | 120 | 9.16E-04 | GFL06 - 2A □□□ 071C22 MDFKA□□ 071-22 120 |
| 197 | 104 | 2.8 | 32.800 | 414 | 9324 | 605 | 9325 | 641 | 104 | 8.88E-04 | GFL06 - 2A □□□ 071C22 MDFKA□□ 071-22 120 |
| 223 | 92 | 2.3 | 36.951 | 466 | 9324 | 681 | 9325 | 611 | 92 | 8.86E-04 | GFL06 - 2A □□□ 071C22 MDFKA□□ 071-22 120 |
| 246 | 84 | 2.3 | 40.800 | 515 | 9324 | 752 | 9325 | 657 | 84 | 8.73E-04 | GFL06 - 2A □□□ 071C22 MDFKA□□ 071-22 120 |
| 278 | 74 | 1.9 | 45.963 | 580 | 9324 | 847 | 9325 | 613 | 74 | 8.71E-04 | GFL06 - 2A □□□ 071C22 MDFKA□□ 071-22 120 |
| 320 | 65 | 1.8 | 52.800 | 666 | 9324 | 973 | 9325 | 660 | 65 | 8.56E-04 | GFL06 - 2A □□□ 071C22 MDFKA□□ 071-22 120 |
| 362 | 57 | 1.5 | 59.481 | 750 | 9324 | 922 | 9325 | 615 | 57 | 8.55E-04 | GFL06 - 2A □□□ 071C22 MDFKA□□ 071-22 120 |
| 391 | 53 | 1.3 | 64.080 | 808 | 9324 | 864 | 9325 | 576 | 53 | 8.49E-04 | GFL06 - 2A □□□ 071C22 MDFKA□□ 071-22 120 |
| 440 | 47 | 1.3 | 72.189 | 911 | 9324 | 924 | 9325 | 616 | 47 | 8.49E-04 | GFL06 - 2A □□□ 071C22 MDFKA□□ 071-22 120 |
| 72 | 253 | 4.5 | 6.450 | 185 | 9324 | 135 | 9324 | 352 | 253 | 2.29E-03 | GFL06 - 2A □□□ 080C22 MDFKA□□ 080-22 60 |
| 80 | 229 | 5.1 | 7.147 | 205 | 9324 | 149 | 9324 | 433 | 229 | 2.32E-03 | GFL06 - 2A □□□ 080C22 MDFKA□□ 080-22 60 |
| 93 | 195 | 6.0 | 8.400 | 241 | 9324 | 175 | 9324 | 604 | 195 | 2.35E-03 | GFL06 - 2A □□□ 080C22 MDFKA□□ 080-22 60 |
| 105 | 173 | 5.1 | 9.463 | 272 | 9324 | 197 | 9324 | 581 | 173 | 2.31E-03 | GFL06 - 2A □□□ 080C22 MDFKA□□ 080-22 60 |
| 114 | 162 | 3.8 | 10.092 | 290 | 9324 | 211 | 9324 | 459 | 162 | 2.17E-03 | GFL06 - 2A □□□ 080C22 MDFKA□□ 080-22 60 |
| 129 | 142 | 4.6 | 11.520 | 331 | 9324 | 240 | 9324 | 632 | 142 | 2.09E-03 | GFL06 - 2A □□□ 080C22 MDFKA□□ 080-22 60 |
| 147 | 126 | 3.8 | 12.978 | 373 | 9324 | 271 | 9324 | 592 | 126 | 2.18E-03 | GFL06 - 2A □□□ 080C22 MDFKA□□ 080-22 60 |
| 167 | 111 | 3.6 | 14.743 | 423 | 9324 | 308 | 9324 | 641 | 111 | 2.12E-03 | GFL06 - 2A □□□ 080C22 MDFKA□□ 080-22 60 |
| 183 | 101 | 3.3 | 16.128 | 463 | 9324 | 336 | 9324 | 643 | 101 | 2.09E-03 | GFL06 - 2A □□□ 080C22 MDFKA□□ 080-22 60 |
| 208 | 90 | 2.8 | 18.169 | 522 | 9324 | 379 | 9324 | 600 | 90 | 2.08E-03 | GFL06 - 2A □□□ 080C22 MDFKA□□ 080-22 60 |
| 236 | 79 | 2.6 | 20.571 | 591 | 9324 | 429 | 9324 | 645 | 79 | 2.04E-03 | GFL06 - 2A □□□ 080C22 MDFKA□□ 080-22 60 |
| 267 | 71 | 2.2 | 23.175 | 666 | 9324 | 483 | 9324 | 604 | 71 | 2.03E-03 | GFL06 - 2A □□□ 080C22 MDFKA□□ 080-22 60 |
| 290 | 65 | 2.2 | 25.200 | 724 | 9324 | 526 | 9324 | 651 | 65 | 2.01E-03 | GFL06 - 2A □□□ 080C22 MDFKA□□ 080-22 60 |
| 328 | 58 | 1.8 | 28.389 | 815 | 9324 | 592 | 9324 | 607 | 58 | 2.01E-03 | GFL06 - 2A □□□ 080C22 MDFKA□□ 080-22 60 |
| 379 | 50 | 1.7 | 32.800 | 942 | 9324 | 684 | 9324 | 641 | 50 | 1.98E-03 | GFL06 - 2A □□□ 080C22 MDFKA□□ 080-22 60 |
| 428 | 44 | 1.4 | 36.951 | 916 | 9324 | 771 | 9324 | 611 | 44 | 1.98E-03 | GFL06 - 2A □□□ 080C22 MDFKA□□ 080-22 60 |

Observe the notes for thermal dimensioning.

Selection tables - Shaft-mounted helical gearboxes

Forced ventilated asynchronous geared servo motors

| M ₂ [Nm] | n ₂ trans [rpm] | c | i | M ₂ max short-time on geared motor at | | | | M ₂ Gr gearbox c=1 n ₁ ≤ 1400 rpm [Nm] | n ₂ therm [rpm] | J _{GM} referred to motor shaft [kgm ²] | Servo shaft-mounted helical geared motor Dimensions on Page 4-82 |
|------------------------|-------------------------------|-----|--------|---|-------------|----------------------------|-------------|--|-------------------------------|---|---|
| | | | | 8 kHz | | 16 kHz | | | | | |
| | | | | M ₂ max [Nm] | Type EVS | M ₂ max [Nm] | Type EVS | | | | |
| 473 | 40 | 1.4 | 40.800 | 985 | 9324 | 851 | 9324 | 657 | 40 | 1.96E-03 | GFL06 - 2A □□□ 080C22 MDFKA□□ 080-22 60 |
| 534 | 36 | 1.1 | 45.963 | 919 | 9324 | 919 | 9324 | 613 | 36 | 1.96E-03 | GFL06 - 2A □□□ 080C22 MDFKA□□ 080-22 60 |
| 37 | 940 | 5.2 | 3.675 | 105 | 9325 | 76 | 9325 | 266 | 702 | 2.70E-03 | GFL06 - 2A □□□ 080C22 MDFKA□□ 080-22 120 |
| 52 | 663 | 5.2 | 5.211 | 148 | 9325 | 107 | 9325 | 377 | 495 | 2.58E-03 | GFL06 - 2A □□□ 080C22 MDFKA□□ 080-22 120 |
| 58 | 601 | 5.2 | 5.750 | 164 | 9325 | 118 | 9325 | 416 | 448 | 2.52E-03 | GFL06 - 2A □□□ 080C22 MDFKA□□ 080-22 120 |
| 66 | 536 | 3.9 | 6.450 | 183 | 9325 | 133 | 9325 | 352 | 507 | 2.29E-03 | GFL06 - 2A □□□ 080C22 MDFKA□□ 080-22 120 |
| 72 | 483 | 4.4 | 7.147 | 203 | 9325 | 147 | 9325 | 433 | 404 | 2.32E-03 | GFL06 - 2A □□□ 080C22 MDFKA□□ 080-22 120 |
| 84 | 411 | 5.2 | 8.400 | 239 | 9325 | 173 | 9325 | 604 | 307 | 2.35E-03 | GFL06 - 2A □□□ 080C22 MDFKA□□ 080-22 120 |
| 96 | 365 | 4.4 | 9.463 | 269 | 9325 | 195 | 9325 | 581 | 264 | 2.31E-03 | GFL06 - 2A □□□ 080C22 MDFKA□□ 080-22 120 |
| 103 | 342 | 3.3 | 10.092 | 287 | 9325 | 208 | 9325 | 459 | 313 | 2.17E-03 | GFL06 - 2A □□□ 080C22 MDFKA□□ 080-22 120 |
| 117 | 300 | 4.0 | 11.520 | 328 | 9325 | 237 | 9325 | 632 | 246 | 2.09E-03 | GFL06 - 2A □□□ 080C22 MDFKA□□ 080-22 120 |
| 133 | 266 | 3.3 | 12.978 | 369 | 9325 | 267 | 9325 | 592 | 210 | 2.18E-03 | GFL06 - 2A □□□ 080C22 MDFKA□□ 080-22 120 |
| 151 | 234 | 3.1 | 14.743 | 419 | 9325 | 303 | 9325 | 641 | 212 | 2.12E-03 | GFL06 - 2A □□□ 080C22 MDFKA□□ 080-22 120 |
| 166 | 214 | 2.9 | 16.128 | 459 | 9325 | 332 | 9325 | 643 | 197 | 2.09E-03 | GFL06 - 2A □□□ 080C22 MDFKA□□ 080-22 120 |
| 188 | 190 | 2.4 | 18.169 | 517 | 9325 | 374 | 9325 | 600 | 168 | 2.08E-03 | GFL06 - 2A □□□ 080C22 MDFKA□□ 080-22 120 |
| 213 | 168 | 2.3 | 20.571 | 585 | 9325 | 423 | 9325 | 645 | 164 | 2.04E-03 | GFL06 - 2A □□□ 080C22 MDFKA□□ 080-22 120 |
| 241 | 149 | 1.9 | 23.175 | 659 | 9325 | 477 | 9325 | 604 | 138 | 2.03E-03 | GFL06 - 2A □□□ 080C22 MDFKA□□ 080-22 120 |
| 261 | 137 | 2.1 | 25.200 | 716 | 9325 | 518 | 9325 | 651 | 137 | 2.01E-03 | GFL06 - 2A □□□ 080C22 MDFKA□□ 080-22 120 |
| 295 | 122 | 1.8 | 28.389 | 807 | 9325 | 584 | 9325 | 607 | 122 | 2.01E-03 | GFL06 - 2A □□□ 080C22 MDFKA□□ 080-22 120 |
| 342 | 105 | 1.6 | 32.800 | 932 | 9325 | 675 | 9325 | 641 | 105 | 1.98E-03 | GFL06 - 2A □□□ 080C22 MDFKA□□ 080-22 120 |
| 386 | 94 | 1.4 | 36.951 | 916 | 9325 | 760 | 9325 | 611 | 94 | 1.98E-03 | GFL06 - 2A □□□ 080C22 MDFKA□□ 080-22 120 |
| 426 | 85 | 1.3 | 40.800 | 985 | 9325 | 839 | 9325 | 657 | 85 | 1.96E-03 | GFL06 - 2A □□□ 080C22 MDFKA□□ 080-22 120 |
| 481 | 75 | 1.1 | 45.963 | 919 | 9325 | 919 | 9325 | 613 | 75 | 1.96E-03 | GFL06 - 2A □□□ 080C22 MDFKA□□ 080-22 120 |
| 74 | 457 | 3.9 | 3.675 | 204 | 9325 | 150 | 9325 | 311 | 457 | 4.38E-03 | GFL06 - 2A □□□ 090C22 MDFKA□□ 090-22 60 |
| 106 | 322 | 3.8 | 5.211 | 289 | 9325 | 212 | 9325 | 424 | 322 | 4.26E-03 | GFL06 - 2A □□□ 090C22 MDFKA□□ 090-22 60 |
| 117 | 292 | 3.5 | 5.750 | 319 | 9325 | 234 | 9325 | 442 | 292 | 4.20E-03 | GFL06 - 2A □□□ 090C22 MDFKA□□ 090-22 60 |
| 132 | 260 | 2.5 | 6.450 | 358 | 9325 | 263 | 9325 | 352 | 260 | 3.97E-03 | GFL06 - 2A □□□ 090C22 MDFKA□□ 090-22 60 |
| 146 | 235 | 2.8 | 7.147 | 397 | 9325 | 291 | 9325 | 433 | 235 | 4.00E-03 | GFL06 - 2A □□□ 090C22 MDFKA□□ 090-22 60 |
| 171 | 200 | 3.3 | 8.400 | 466 | 9325 | 342 | 9325 | 604 | 200 | 4.03E-03 | GFL06 - 2A □□□ 090C22 MDFKA□□ 090-22 60 |
| 194 | 178 | 2.8 | 9.463 | 525 | 9325 | 386 | 9325 | 581 | 178 | 3.99E-03 | GFL06 - 2A □□□ 090C22 MDFKA□□ 090-22 60 |
| 208 | 166 | 2.1 | 10.092 | 560 | 9325 | 411 | 9325 | 459 | 166 | 3.85E-03 | GFL06 - 2A □□□ 090C22 MDFKA□□ 090-22 60 |
| 237 | 146 | 2.5 | 11.520 | 639 | 9325 | 469 | 9325 | 632 | 146 | 3.77E-03 | GFL06 - 2A □□□ 090C22 MDFKA□□ 090-22 60 |
| 268 | 129 | 2.1 | 12.978 | 720 | 9325 | 529 | 9325 | 592 | 129 | 3.86E-03 | GFL06 - 2A □□□ 090C22 MDFKA□□ 090-22 60 |
| 304 | 114 | 2.0 | 14.743 | 818 | 9325 | 601 | 9325 | 641 | 114 | 3.80E-03 | GFL06 - 2A □□□ 090C22 MDFKA□□ 090-22 60 |

Observe the notes for thermal dimensioning.

Selection tables - Shaft-mounted helical gearboxes

Forced ventilated asynchronous geared servo motors



| M ₂ [Nm] | n _{2 trans} [rpm] | c | i | M _{2 max} short-time on geared motor at | | | | M _{2 Gr} gearbox c=1 n ₁ ≤ 1400 rpm [Nm] | n _{2 therm} [rpm] | J _{GM} referred to motor shaft [kgm ²] | Servo shaft-mounted helical geared motor Dimensions on Page 4-82 |
|------------------------|-------------------------------|------------|---------------|--|-------------|----------------------------|-------------|---|-------------------------------|--|---|
| | | | | 8 kHz | | 16 kHz | | | | | |
| | | | | M _{2 max} [Nm] | Type EVS | M _{2 max} [Nm] | Type EVS | | | | |
| 334 | 104 | 1.8 | 16.128 | 895 | 9325 | 657 | 9325 | 643 | 104 | 3.77E-03 | GFL06 - 2A □□□ 090C22 MDFKA□□ 090-22 60 |
| 377 | 92 | 1.5 | 18.169 | 899 | 9325 | 740 | 9325 | 600 | 92 | 3.76E-03 | GFL06 - 2A □□□ 090C22 MDFKA□□ 090-22 60 |
| 427 | 82 | 1.4 | 20.571 | 968 | 9325 | 838 | 9325 | 645 | 82 | 3.72E-03 | GFL06 - 2A □□□ 090C22 MDFKA□□ 090-22 60 |
| 482 | 72 | 1.2 | 23.175 | 906 | 9325 | 906 | 9325 | 604 | 72 | 3.71E-03 | GFL06 - 2A □□□ 090C22 MDFKA□□ 090-22 60 |
| 524 | 67 | 1.2 | 25.200 | 976 | 9325 | 976 | 9325 | 651 | 67 | 3.69E-03 | GFL06 - 2A □□□ 090C22 MDFKA□□ 090-22 60 |
| 592 | 59 | 1.0 | 28.389 | 911 | 9325 | 911 | 9325 | 607 | 59 | 3.69E-03 | GFL06 - 2A □□□ 090C22 MDFKA□□ 090-22 60 |
| 66 | 947 | 3.5 | 3.675 | 181 | 9326 | 159 | 9327 | 311 | 645 | 4.38E-03 | GFL06 - 2A □□□ 090C22 MDFKA□□ 090-22 120 |
| 94 | 668 | 3.3 | 5.211 | 256 | 9326 | 226 | 9327 | 424 | 451 | 4.26E-03 | GFL06 - 2A □□□ 090C22 MDFKA□□ 090-22 120 |
| 104 | 605 | 3.1 | 5.750 | 283 | 9326 | 249 | 9327 | 442 | 403 | 4.20E-03 | GFL06 - 2A □□□ 090C22 MDFKA□□ 090-22 120 |
| 117 | 540 | 2.2 | 6.450 | 317 | 9326 | 279 | 9327 | 352 | 451 | 3.97E-03 | GFL06 - 2A □□□ 090C22 MDFKA□□ 090-22 120 |
| 130 | 487 | 2.5 | 7.147 | 352 | 9326 | 309 | 9327 | 433 | 359 | 4.00E-03 | GFL06 - 2A □□□ 090C22 MDFKA□□ 090-22 120 |
| 152 | 414 | 2.9 | 8.400 | 413 | 9326 | 364 | 9327 | 604 | 272 | 4.03E-03 | GFL06 - 2A □□□ 090C22 MDFKA□□ 090-22 120 |
| 172 | 368 | 2.5 | 9.463 | 466 | 9326 | 410 | 9327 | 581 | 233 | 3.99E-03 | GFL06 - 2A □□□ 090C22 MDFKA□□ 090-22 120 |
| 184 | 345 | 1.9 | 10.092 | 496 | 9326 | 437 | 9327 | 459 | 271 | 3.85E-03 | GFL06 - 2A □□□ 090C22 MDFKA□□ 090-22 120 |
| 210 | 302 | 2.2 | 11.520 | 567 | 9326 | 499 | 9327 | 632 | 217 | 3.77E-03 | GFL06 - 2A □□□ 090C22 MDFKA□□ 090-22 120 |
| 237 | 268 | 1.9 | 12.978 | 638 | 9326 | 562 | 9327 | 592 | 182 | 3.86E-03 | GFL06 - 2A □□□ 090C22 MDFKA□□ 090-22 120 |
| 270 | 236 | 1.8 | 14.743 | 725 | 9326 | 638 | 9327 | 641 | 181 | 3.80E-03 | GFL06 - 2A □□□ 090C22 MDFKA□□ 090-22 120 |
| 295 | 216 | 1.6 | 16.128 | 793 | 9326 | 698 | 9327 | 643 | 164 | 3.77E-03 | GFL06 - 2A □□□ 090C22 MDFKA□□ 090-22 120 |
| 334 | 192 | 1.4 | 18.169 | 894 | 9326 | 786 | 9327 | 600 | 132 | 3.76E-03 | GFL06 - 2A □□□ 090C22 MDFKA□□ 090-22 120 |
| 378 | 169 | 1.3 | 20.571 | 968 | 9326 | 890 | 9327 | 645 | 130 | 3.72E-03 | GFL06 - 2A □□□ 090C22 MDFKA□□ 090-22 120 |
| 427 | 150 | 1.1 | 23.175 | 906 | 9326 | 906 | 9327 | 604 | 107 | 3.71E-03 | GFL06 - 2A □□□ 090C22 MDFKA□□ 090-22 120 |
| 464 | 138 | 1.2 | 25.200 | 976 | 9326 | 976 | 9327 | 651 | 119 | 3.69E-03 | GFL06 - 2A □□□ 090C22 MDFKA□□ 090-22 120 |
| 398 | 52 | 1.2 | 66.213 | 745 | 9324 | 745 | 9325 | 497 | 52 | 8.59E-04 | GFL06 - 3A □□□ 071C22 MDFKA□□ 071-22 120 |
| 433 | 47 | 1.1 | 72.000 | 745 | 9324 | 745 | 9325 | 497 | 47 | 8.56E-04 | GFL06 - 3A □□□ 071C22 MDFKA□□ 071-22 120 |
| 119 | 168 | 5.1 | 20.286 | 256 | 9324 | 374 | 9325 | 828 | 168 | 1.18E-03 | GFL07 - 2A □□□ 071C22 MDFKA□□ 071-22 120 |
| 134 | 149 | 5.1 | 22.857 | 288 | 9324 | 421 | 9325 | 933 | 149 | 1.16E-03 | GFL07 - 2A □□□ 071C22 MDFKA□□ 071-22 120 |
| 190 | 105 | 4.6 | 32.344 | 408 | 9324 | 596 | 9325 | 1048 | 105 | 9.99E-04 | GFL07 - 2A □□□ 071C22 MDFKA□□ 071-22 120 |
| 215 | 94 | 4.6 | 36.444 | 460 | 9324 | 672 | 9325 | 1181 | 94 | 9.91E-04 | GFL07 - 2A □□□ 071C22 MDFKA□□ 071-22 120 |
| 235 | 86 | 3.9 | 39.642 | 500 | 9324 | 731 | 9325 | 1093 | 86 | 9.55E-04 | GFL07 - 2A □□□ 071C22 MDFKA□□ 071-22 120 |
| 265 | 76 | 3.9 | 44.667 | 563 | 9324 | 823 | 9325 | 1231 | 76 | 9.50E-04 | GFL07 - 2A □□□ 071C22 MDFKA□□ 071-22 120 |
| 311 | 65 | 3.1 | 52.067 | 657 | 9324 | 960 | 9325 | 1127 | 65 | 9.08E-04 | GFL07 - 2A □□□ 071C22 MDFKA□□ 071-22 120 |
| 351 | 58 | 3.1 | 58.667 | 740 | 9324 | 1082 | 9325 | 1270 | 58 | 9.05E-04 | GFL07 - 2A □□□ 071C22 MDFKA□□ 071-22 120 |
| 380 | 54 | 2.6 | 63.190 | 797 | 9324 | 1165 | 9325 | 1145 | 54 | 8.87E-04 | GFL07 - 2A □□□ 071C22 MDFKA□□ 071-22 120 |
| 427 | 48 | 2.8 | 71.200 | 898 | 9324 | 1313 | 9325 | 1280 | 48 | 8.86E-04 | GFL07 - 2A □□□ 071C22 MDFKA□□ 071-22 120 |

Observe the notes for thermal dimensioning.

Selection tables - Shaft-mounted helical gearboxes

Forced ventilated asynchronous geared servo motors

| M ₂ [Nm] | n _{2 trans} [rpm] | c | i | M _{2 max} short-time on geared motor at | | | | M _{2 Gr} gearbox c=1 n ₁ ≤1400 rpm [Nm] | n _{2 therm} [rpm] | J _{GM} referred to motor shaft [kgm ²] | Servo shaft-mounted helical geared motor Dimensions on Page 4-82 |
|------------------------|-------------------------------|-----|--------|---|-------------|----------------------------|-------------|---|-------------------------------|---|---|
| | | | | 8 kHz | | 16 kHz | | | | | |
| | | | | M _{2 max} [Nm] | Type EVS | M _{2 max} [Nm] | Type EVS | | | | |
| 485 | 43 | 1.7 | 79.875 | 1008 | 9324 | 1281 | 9325 | 854 | 43 | 8.67E-04 | GFL07 - 2A □□□ 071C22 MDFKA□□ 071-22 120 |
| 547 | 38 | 1.6 | 90.000 | 1135 | 9324 | 1396 | 9325 | 930 | 38 | 8.66E-04 | GFL07 - 2A □□□ 071C22 MDFKA□□ 071-22 120 |
| 199 | 91 | 5.5 | 17.920 | 515 | 9324 | 374 | 9324 | 1189 | 91 | 2.42E-03 | GFL07 - 2A □□□ 080C22 MDFKA□□ 080-22 60 |
| 226 | 81 | 5.1 | 20.286 | 583 | 9324 | 423 | 9324 | 1233 | 81 | 2.27E-03 | GFL07 - 2A □□□ 080C22 MDFKA□□ 080-22 60 |
| 256 | 72 | 4.5 | 22.857 | 656 | 9324 | 477 | 9324 | 1240 | 72 | 2.25E-03 | GFL07 - 2A □□□ 080C22 MDFKA□□ 080-22 60 |
| 279 | 66 | 4.5 | 24.850 | 714 | 9324 | 518 | 9324 | 1295 | 66 | 2.18E-03 | GFL07 - 2A □□□ 080C22 MDFKA□□ 080-22 60 |
| 317 | 58 | 3.8 | 28.000 | 804 | 9324 | 584 | 9324 | 1242 | 58 | 2.17E-03 | GFL07 - 2A □□□ 080C22 MDFKA□□ 080-22 60 |
| 366 | 51 | 3.6 | 32.344 | 929 | 9324 | 675 | 9324 | 1358 | 51 | 2.09E-03 | GFL07 - 2A □□□ 080C22 MDFKA□□ 080-22 60 |
| 416 | 45 | 2.9 | 36.444 | 1047 | 9324 | 760 | 9324 | 1248 | 45 | 2.08E-03 | GFL07 - 2A □□□ 080C22 MDFKA□□ 080-22 60 |
| 452 | 41 | 3.0 | 39.642 | 1139 | 9324 | 827 | 9324 | 1378 | 41 | 2.05E-03 | GFL07 - 2A □□□ 080C22 MDFKA□□ 080-22 60 |
| 512 | 37 | 2.4 | 44.667 | 1283 | 9324 | 932 | 9324 | 1258 | 37 | 2.04E-03 | GFL07 - 2A □□□ 080C22 MDFKA□□ 080-22 60 |
| 599 | 31 | 2.2 | 52.067 | 1495 | 9324 | 1086 | 9324 | 1342 | 31 | 2.00E-03 | GFL07 - 2A □□□ 080C22 MDFKA□□ 080-22 60 |
| 677 | 28 | 1.9 | 58.667 | 1685 | 9324 | 1224 | 9324 | 1270 | 28 | 2.00E-03 | GFL07 - 2A □□□ 080C22 MDFKA□□ 080-22 60 |
| 731 | 26 | 1.7 | 63.190 | 1815 | 9324 | 1318 | 9324 | 1240 | 26 | 1.98E-03 | GFL07 - 2A □□□ 080C22 MDFKA□□ 080-22 60 |
| 824 | 23 | 1.5 | 71.200 | 1920 | 9324 | 1485 | 9324 | 1280 | 23 | 1.98E-03 | GFL07 - 2A □□□ 080C22 MDFKA□□ 080-22 60 |
| 64 | 540 | 5.2 | 6.400 | 182 | 9325 | 132 | 9325 | 463 | 466 | 2.90E-03 | GFL07 - 2A □□□ 080C22 MDFKA□□ 080-22 120 |
| 97 | 356 | 5.6 | 9.714 | 276 | 9325 | 200 | 9325 | 757 | 300 | 2.72E-03 | GFL07 - 2A □□□ 080C22 MDFKA□□ 080-22 120 |
| 142 | 243 | 5.6 | 14.200 | 404 | 9325 | 292 | 9325 | 1106 | 205 | 2.56E-03 | GFL07 - 2A □□□ 080C22 MDFKA□□ 080-22 120 |
| 159 | 217 | 5.2 | 15.904 | 452 | 9325 | 327 | 9325 | 1150 | 187 | 2.45E-03 | GFL07 - 2A □□□ 080C22 MDFKA□□ 080-22 120 |
| 180 | 193 | 4.8 | 17.920 | 509 | 9325 | 369 | 9325 | 1189 | 164 | 2.42E-03 | GFL07 - 2A □□□ 080C22 MDFKA□□ 080-22 120 |
| 205 | 170 | 4.4 | 20.286 | 577 | 9325 | 417 | 9325 | 1233 | 166 | 2.27E-03 | GFL07 - 2A □□□ 080C22 MDFKA□□ 080-22 120 |
| 232 | 151 | 3.9 | 22.857 | 650 | 9325 | 470 | 9325 | 1240 | 144 | 2.25E-03 | GFL07 - 2A □□□ 080C22 MDFKA□□ 080-22 120 |
| 252 | 139 | 4.3 | 24.850 | 706 | 9325 | 511 | 9325 | 1295 | 139 | 2.18E-03 | GFL07 - 2A □□□ 080C22 MDFKA□□ 080-22 120 |
| 285 | 123 | 3.6 | 28.000 | 796 | 9325 | 576 | 9325 | 1242 | 123 | 2.17E-03 | GFL07 - 2A □□□ 080C22 MDFKA□□ 080-22 120 |
| 330 | 107 | 3.4 | 32.344 | 920 | 9325 | 665 | 9325 | 1358 | 107 | 2.09E-03 | GFL07 - 2A □□□ 080C22 MDFKA□□ 080-22 120 |
| 375 | 95 | 2.8 | 36.444 | 1036 | 9325 | 750 | 9325 | 1248 | 95 | 2.08E-03 | GFL07 - 2A □□□ 080C22 MDFKA□□ 080-22 120 |
| 407 | 87 | 2.9 | 39.642 | 1127 | 9325 | 815 | 9325 | 1378 | 87 | 2.05E-03 | GFL07 - 2A □□□ 080C22 MDFKA□□ 080-22 120 |
| 462 | 77 | 2.3 | 44.667 | 1270 | 9325 | 919 | 9325 | 1258 | 77 | 2.04E-03 | GFL07 - 2A □□□ 080C22 MDFKA□□ 080-22 120 |
| 539 | 66 | 2.1 | 52.067 | 1480 | 9325 | 1071 | 9325 | 1342 | 66 | 2.00E-03 | GFL07 - 2A □□□ 080C22 MDFKA□□ 080-22 120 |
| 610 | 59 | 1.8 | 58.667 | 1668 | 9325 | 1207 | 9325 | 1270 | 59 | 2.00E-03 | GFL07 - 2A □□□ 080C22 MDFKA□□ 080-22 120 |
| 658 | 55 | 1.6 | 63.190 | 1796 | 9325 | 1300 | 9325 | 1240 | 55 | 1.98E-03 | GFL07 - 2A □□□ 080C22 MDFKA□□ 080-22 120 |
| 741 | 49 | 1.6 | 71.200 | 1920 | 9325 | 1465 | 9325 | 1280 | 49 | 1.98E-03 | GFL07 - 2A □□□ 080C22 MDFKA□□ 080-22 120 |
| 67 | 502 | 4.8 | 3.350 | 186 | 9325 | 137 | 9325 | 349 | 502 | 5.56E-03 | GFL07 - 2A □□□ 090C22 MDFKA□□ 090-22 60 |
| 93 | 362 | 4.8 | 4.643 | 258 | 9325 | 189 | 9325 | 483 | 362 | 4.80E-03 | GFL07 - 2A □□□ 090C22 MDFKA□□ 090-22 60 |

Observe the notes for thermal dimensioning.

Selection tables - Shaft-mounted helical gearboxes

Forced ventilated asynchronous geared servo motors



| M ₂ [Nm] | n _{2 trans} [rpm] | c | i | M _{2 max} short-time on geared motor at | | | | M _{2 Gr} gearbox c=1 n ₁ ≤ 1400 rpm [Nm] | n _{2 therm} [rpm] | J _{GM} referred to motor shaft [kgm ²] | Servo shaft-mounted helical geared motor Dimensions on Page 4-82 |
|------------------------|-------------------------------|-----|--------|---|-------------|----------------------------|-------------|--|-------------------------------|---|---|
| | | | | 8 kHz | | 16 kHz | | | | | |
| | | | | M _{2 max} [Nm] | Type EVS | M _{2 max} [Nm] | Type EVS | | | | |
| 103 | 326 | 4.8 | 5.159 | 286 | 9325 | 210 | 9325 | 537 | 326 | 4.71E-03 | GFL07 - 2A □□□ 090C22 MDFKA□□ 090-22 60 |
| 114 | 295 | 4.8 | 5.695 | 316 | 9325 | 232 | 9325 | 592 | 295 | 5.41E-03 | GFL07 - 2A □□□ 090C22 MDFKA□□ 090-22 60 |
| 130 | 263 | 3.9 | 6.400 | 355 | 9325 | 261 | 9325 | 541 | 263 | 4.58E-03 | GFL07 - 2A □□□ 090C22 MDFKA□□ 090-22 60 |
| 143 | 235 | 4.8 | 7.150 | 397 | 9325 | 291 | 9325 | 744 | 235 | 4.79E-03 | GFL07 - 2A □□□ 090C22 MDFKA□□ 090-22 60 |
| 167 | 202 | 4.8 | 8.324 | 462 | 9325 | 339 | 9325 | 866 | 202 | 4.91E-03 | GFL07 - 2A □□□ 090C22 MDFKA□□ 090-22 60 |
| 188 | 179 | 4.8 | 9.379 | 521 | 9325 | 382 | 9325 | 976 | 179 | 4.80E-03 | GFL07 - 2A □□□ 090C22 MDFKA□□ 090-22 60 |
| 196 | 173 | 4.2 | 9.714 | 539 | 9325 | 396 | 9325 | 885 | 173 | 4.40E-03 | GFL07 - 2A □□□ 090C22 MDFKA□□ 090-22 60 |
| 232 | 146 | 4.3 | 11.538 | 640 | 9325 | 470 | 9325 | 1080 | 146 | 4.45E-03 | GFL07 - 2A □□□ 090C22 MDFKA□□ 090-22 60 |
| 263 | 129 | 3.9 | 13.000 | 722 | 9325 | 530 | 9325 | 1089 | 129 | 4.40E-03 | GFL07 - 2A □□□ 090C22 MDFKA□□ 090-22 60 |
| 288 | 118 | 3.7 | 14.200 | 788 | 9325 | 579 | 9325 | 1143 | 118 | 4.24E-03 | GFL07 - 2A □□□ 090C22 MDFKA□□ 090-22 60 |
| 323 | 106 | 3.4 | 15.904 | 883 | 9325 | 648 | 9325 | 1179 | 106 | 4.13E-03 | GFL07 - 2A □□□ 090C22 MDFKA□□ 090-22 60 |
| 366 | 94 | 3.1 | 17.920 | 995 | 9325 | 730 | 9325 | 1189 | 94 | 4.10E-03 | GFL07 - 2A □□□ 090C22 MDFKA□□ 090-22 60 |
| 415 | 83 | 2.9 | 20.286 | 1126 | 9325 | 827 | 9325 | 1262 | 83 | 3.95E-03 | GFL07 - 2A □□□ 090C22 MDFKA□□ 090-22 60 |
| 469 | 74 | 2.5 | 22.857 | 1269 | 9325 | 931 | 9325 | 1240 | 74 | 3.93E-03 | GFL07 - 2A □□□ 090C22 MDFKA□□ 090-22 60 |
| 510 | 68 | 2.6 | 24.850 | 1379 | 9325 | 1013 | 9325 | 1337 | 68 | 3.86E-03 | GFL07 - 2A □□□ 090C22 MDFKA□□ 090-22 60 |
| 577 | 60 | 2.1 | 28.000 | 1554 | 9325 | 1141 | 9325 | 1242 | 60 | 3.85E-03 | GFL07 - 2A □□□ 090C22 MDFKA□□ 090-22 60 |
| 668 | 52 | 2.0 | 32.344 | 1795 | 9325 | 1318 | 9325 | 1370 | 52 | 3.77E-03 | GFL07 - 2A □□□ 090C22 MDFKA□□ 090-22 60 |
| 755 | 46 | 1.6 | 36.444 | 1872 | 9325 | 1485 | 9325 | 1248 | 46 | 3.76E-03 | GFL07 - 2A □□□ 090C22 MDFKA□□ 090-22 60 |
| 821 | 42 | 1.7 | 39.642 | 2067 | 9325 | 1615 | 9325 | 1378 | 42 | 3.73E-03 | GFL07 - 2A □□□ 090C22 MDFKA□□ 090-22 60 |
| 928 | 38 | 1.4 | 44.667 | 1887 | 9325 | 1820 | 9325 | 1258 | 38 | 3.72E-03 | GFL07 - 2A □□□ 090C22 MDFKA□□ 090-22 60 |
| 60 | 1039 | 4.3 | 3.350 | 165 | 9326 | 145 | 9327 | 349 | 631 | 5.56E-03 | GFL07 - 2A □□□ 090C22 MDFKA□□ 090-22 120 |
| 83 | 750 | 4.3 | 4.643 | 228 | 9326 | 201 | 9327 | 483 | 524 | 4.80E-03 | GFL07 - 2A □□□ 090C22 MDFKA□□ 090-22 120 |
| 92 | 675 | 4.3 | 5.159 | 254 | 9326 | 223 | 9327 | 537 | 410 | 4.71E-03 | GFL07 - 2A □□□ 090C22 MDFKA□□ 090-22 120 |
| 101 | 611 | 4.3 | 5.695 | 280 | 9326 | 246 | 9327 | 592 | 371 | 5.41E-03 | GFL07 - 2A □□□ 090C22 MDFKA□□ 090-22 120 |
| 115 | 544 | 3.5 | 6.400 | 315 | 9326 | 277 | 9327 | 541 | 429 | 4.58E-03 | GFL07 - 2A □□□ 090C22 MDFKA□□ 090-22 120 |
| 127 | 487 | 4.3 | 7.150 | 352 | 9326 | 309 | 9327 | 744 | 341 | 4.79E-03 | GFL07 - 2A □□□ 090C22 MDFKA□□ 090-22 120 |
| 148 | 418 | 4.3 | 8.324 | 410 | 9326 | 360 | 9327 | 866 | 254 | 4.91E-03 | GFL07 - 2A □□□ 090C22 MDFKA□□ 090-22 120 |
| 167 | 371 | 4.3 | 9.379 | 461 | 9326 | 406 | 9327 | 976 | 225 | 4.80E-03 | GFL07 - 2A □□□ 090C22 MDFKA□□ 090-22 120 |
| 174 | 358 | 3.7 | 9.714 | 478 | 9326 | 420 | 9327 | 885 | 276 | 4.40E-03 | GFL07 - 2A □□□ 090C22 MDFKA□□ 090-22 120 |
| 206 | 302 | 3.8 | 11.538 | 568 | 9326 | 499 | 9327 | 1080 | 206 | 4.45E-03 | GFL07 - 2A □□□ 090C22 MDFKA□□ 090-22 120 |
| 234 | 268 | 3.4 | 13.000 | 640 | 9326 | 563 | 9327 | 1089 | 179 | 4.40E-03 | GFL07 - 2A □□□ 090C22 MDFKA□□ 090-22 120 |
| 256 | 245 | 3.3 | 14.200 | 699 | 9326 | 615 | 9327 | 1143 | 184 | 4.24E-03 | GFL07 - 2A □□□ 090C22 MDFKA□□ 090-22 120 |
| 287 | 219 | 3.0 | 15.904 | 782 | 9326 | 688 | 9327 | 1179 | 168 | 4.13E-03 | GFL07 - 2A □□□ 090C22 MDFKA□□ 090-22 120 |
| 324 | 194 | 2.7 | 17.920 | 882 | 9326 | 775 | 9327 | 1189 | 146 | 4.10E-03 | GFL07 - 2A □□□ 090C22 MDFKA□□ 090-22 120 |

Observe the notes for thermal dimensioning.

Selection tables - Shaft-mounted helical gearboxes

Forced ventilated asynchronous geared servo motors

| M ₂ [Nm] | n ₂ trans [rpm] | c | i | M ₂ max short-time on geared motor at | | | | M ₂ Gr gearbox c=1 n ₁ ≤ 1400 rpm [Nm] | n ₂ therm [rpm] | J _{GM} referred to motor shaft [kgm ²] | Servo shaft-mounted helical geared motor Dimensions on Page 4-82 |
|------------------------|-------------------------------|-----|--------|---|-------------|----------------------------|-------------|--|-------------------------------|---|---|
| | | | | 8 kHz | | 16 kHz | | | | | |
| | | | | M ₂ max [Nm] | Type EVS | M ₂ max [Nm] | Type EVS | | | | |
| 368 | 172 | 2.6 | 20.286 | 998 | 9326 | 878 | 9327 | 1262 | 149 | 3.95E-03 | GFL07 - 2A □□□ 090C22 MDFKA□□ 090-22 120 |
| 416 | 152 | 2.2 | 22.857 | 1124 | 9326 | 989 | 9327 | 1240 | 128 | 3.93E-03 | GFL07 - 2A □□□ 090C22 MDFKA□□ 090-22 120 |
| 451 | 140 | 2.5 | 24.850 | 1222 | 9326 | 1075 | 9327 | 1337 | 125 | 3.86E-03 | GFL07 - 2A □□□ 090C22 MDFKA□□ 090-22 120 |
| 510 | 124 | 2.1 | 28.000 | 1377 | 9326 | 1212 | 9327 | 1242 | 111 | 3.85E-03 | GFL07 - 2A □□□ 090C22 MDFKA□□ 090-22 120 |
| 590 | 108 | 2.0 | 32.344 | 1591 | 9326 | 1400 | 9327 | 1370 | 96 | 3.77E-03 | GFL07 - 2A □□□ 090C22 MDFKA□□ 090-22 120 |
| 668 | 95 | 1.6 | 36.444 | 1793 | 9326 | 1577 | 9327 | 1248 | 85 | 3.76E-03 | GFL07 - 2A □□□ 090C22 MDFKA□□ 090-22 120 |
| 726 | 88 | 1.6 | 39.642 | 1950 | 9326 | 1715 | 9327 | 1378 | 78 | 3.73E-03 | GFL07 - 2A □□□ 090C22 MDFKA□□ 090-22 120 |
| 821 | 78 | 1.3 | 44.667 | 1887 | 9326 | 1887 | 9327 | 1258 | 70 | 3.72E-03 | GFL07 - 2A □□□ 090C22 MDFKA□□ 090-22 120 |
| 113 | 508 | 5.2 | 3.350 | 163 | 9325 | 197 | 9326 | 639 | 508 | 9.16E-03 | GFL07 - 2A □□□ 100C22 MDFKA□□ 100-22 60 |
| 159 | 366 | 3.8 | 4.643 | 226 | 9325 | 273 | 9326 | 653 | 366 | 8.40E-03 | GFL07 - 2A □□□ 100C22 MDFKA□□ 100-22 60 |
| 175 | 330 | 4.5 | 5.159 | 251 | 9325 | 303 | 9326 | 850 | 330 | 8.31E-03 | GFL07 - 2A □□□ 100C22 MDFKA□□ 100-22 60 |
| 194 | 299 | 4.4 | 5.695 | 277 | 9325 | 334 | 9326 | 914 | 299 | 9.01E-03 | GFL07 - 2A □□□ 100C22 MDFKA□□ 100-22 60 |
| 221 | 266 | 2.8 | 6.400 | 311 | 9325 | 376 | 9326 | 662 | 266 | 8.18E-03 | GFL07 - 2A □□□ 100C22 MDFKA□□ 100-22 60 |
| 245 | 238 | 3.5 | 7.150 | 348 | 9325 | 420 | 9326 | 918 | 238 | 8.39E-03 | GFL07 - 2A □□□ 100C22 MDFKA□□ 100-22 60 |
| 286 | 204 | 3.2 | 8.324 | 405 | 9325 | 489 | 9326 | 993 | 204 | 8.51E-03 | GFL07 - 2A □□□ 100C22 MDFKA□□ 100-22 60 |
| 324 | 181 | 2.9 | 9.379 | 456 | 9325 | 551 | 9326 | 999 | 181 | 8.40E-03 | GFL07 - 2A □□□ 100C22 MDFKA□□ 100-22 60 |
| 336 | 175 | 2.7 | 9.714 | 472 | 9325 | 570 | 9326 | 969 | 175 | 8.00E-03 | GFL07 - 2A □□□ 100C22 MDFKA□□ 100-22 60 |
| 400 | 147 | 2.6 | 11.538 | 561 | 9325 | 677 | 9326 | 1080 | 147 | 8.05E-03 | GFL07 - 2A □□□ 100C22 MDFKA□□ 100-22 60 |
| 452 | 131 | 2.3 | 13.000 | 632 | 9325 | 763 | 9326 | 1089 | 131 | 8.00E-03 | GFL07 - 2A □□□ 100C22 MDFKA□□ 100-22 60 |
| 494 | 120 | 2.2 | 14.200 | 690 | 9325 | 834 | 9326 | 1143 | 120 | 7.84E-03 | GFL07 - 2A □□□ 100C22 MDFKA□□ 100-22 60 |
| 554 | 107 | 2.0 | 15.904 | 773 | 9325 | 934 | 9326 | 1179 | 107 | 7.73E-03 | GFL07 - 2A □□□ 100C22 MDFKA□□ 100-22 60 |
| 626 | 95 | 1.8 | 17.920 | 871 | 9325 | 1052 | 9326 | 1189 | 95 | 7.70E-03 | GFL07 - 2A □□□ 100C22 MDFKA□□ 100-22 60 |
| 709 | 84 | 1.7 | 20.286 | 986 | 9325 | 1191 | 9326 | 1262 | 84 | 7.55E-03 | GFL07 - 2A □□□ 100C22 MDFKA□□ 100-22 60 |
| 801 | 74 | 1.5 | 22.857 | 1111 | 9325 | 1342 | 9326 | 1240 | 74 | 7.53E-03 | GFL07 - 2A □□□ 100C22 MDFKA□□ 100-22 60 |
| 870 | 68 | 1.5 | 24.850 | 1208 | 9325 | 1459 | 9326 | 1337 | 68 | 7.46E-03 | GFL07 - 2A □□□ 100C22 MDFKA□□ 100-22 60 |
| 983 | 61 | 1.3 | 28.000 | 1361 | 9325 | 1644 | 9326 | 1242 | 61 | 7.45E-03 | GFL07 - 2A □□□ 100C22 MDFKA□□ 100-22 60 |
| 113 | 1048 | 4.1 | 3.350 | 220 | 9327 | 208 | 9328 | 639 | 626 | 9.16E-03 | GFL07 - 2A □□□ 100C22 MDFKA□□ 100-22 120 |
| 159 | 756 | 3.0 | 4.643 | 305 | 9327 | 288 | 9328 | 653 | 487 | 8.40E-03 | GFL07 - 2A □□□ 100C22 MDFKA□□ 100-22 120 |
| 175 | 680 | 3.6 | 5.159 | 338 | 9327 | 320 | 9328 | 850 | 393 | 8.31E-03 | GFL07 - 2A □□□ 100C22 MDFKA□□ 100-22 120 |
| 194 | 616 | 3.5 | 5.695 | 374 | 9327 | 354 | 9328 | 914 | 354 | 9.01E-03 | GFL07 - 2A □□□ 100C22 MDFKA□□ 100-22 120 |
| 221 | 548 | 2.2 | 6.400 | 420 | 9327 | 397 | 9328 | 662 | 383 | 8.18E-03 | GFL07 - 2A □□□ 100C22 MDFKA□□ 100-22 120 |
| 245 | 491 | 2.8 | 7.150 | 469 | 9327 | 444 | 9328 | 918 | 310 | 8.39E-03 | GFL07 - 2A □□□ 100C22 MDFKA□□ 100-22 120 |
| 286 | 422 | 2.6 | 8.324 | 546 | 9327 | 517 | 9328 | 993 | 225 | 8.51E-03 | GFL07 - 2A □□□ 100C22 MDFKA□□ 100-22 120 |
| 323 | 374 | 2.3 | 9.379 | 615 | 9327 | 582 | 9328 | 999 | 194 | 8.40E-03 | GFL07 - 2A □□□ 100C22 MDFKA□□ 100-22 120 |

Observe the notes for thermal dimensioning.

Selection tables - Shaft-mounted helical gearboxes

Forced ventilated asynchronous geared servo motors



| M ₂ [Nm] | n _{2 trans} [rpm] | c | i | M _{2 max} short-time on geared motor at | | | | M _{2 Gr} gearbox c=1 n ₁ ≤ 1400 rpm [Nm] | n _{2 therm} [rpm] | J _{GM} referred to motor shaft [kgm ²] | Servo shaft-mounted helical geared motor Dimensions on Page 4-82 |
|------------------------|-------------------------------|-----|--------|--|-------------|----------------------------|-------------|---|-------------------------------|--|---|
| | | | | 8 kHz | | 16 kHz | | | | | |
| | | | | M _{2 max} [Nm] | Type EVS | M _{2 max} [Nm] | Type EVS | | | | |
| 335 | 361 | 2.2 | 9.714 | 637 | 9327 | 603 | 9328 | 969 | 243 | 8.00E-03 | GFL07 - 2A □□□ 100C22 MDFKA□□ 100-22 120 |
| 399 | 304 | 2.0 | 11.538 | 757 | 9327 | 716 | 9328 | 1080 | 178 | 8.05E-03 | GFL07 - 2A □□□ 100C22 MDFKA□□ 100-22 120 |
| 450 | 270 | 1.8 | 13.000 | 853 | 9327 | 807 | 9328 | 1089 | 149 | 8.00E-03 | GFL07 - 2A □□□ 100C22 MDFKA□□ 100-22 120 |
| 492 | 247 | 1.7 | 14.200 | 931 | 9327 | 882 | 9328 | 1143 | 151 | 7.84E-03 | GFL07 - 2A □□□ 100C22 MDFKA□□ 100-22 120 |
| 552 | 221 | 1.6 | 15.904 | 1043 | 9327 | 988 | 9328 | 1179 | 135 | 7.73E-03 | GFL07 - 2A □□□ 100C22 MDFKA□□ 100-22 120 |
| 623 | 196 | 1.4 | 17.920 | 1175 | 9327 | 1113 | 9328 | 1189 | 113 | 7.70E-03 | GFL07 - 2A □□□ 100C22 MDFKA□□ 100-22 120 |
| 706 | 173 | 1.3 | 20.286 | 1331 | 9327 | 1260 | 9328 | 1262 | 113 | 7.55E-03 | GFL07 - 2A □□□ 100C22 MDFKA□□ 100-22 120 |
| 797 | 154 | 1.2 | 22.857 | 1499 | 9327 | 1419 | 9328 | 1240 | 94 | 7.53E-03 | GFL07 - 2A □□□ 100C22 MDFKA□□ 100-22 120 |
| 865 | 141 | 1.3 | 24.850 | 1630 | 9327 | 1543 | 9328 | 1337 | 99 | 7.46E-03 | GFL07 - 2A □□□ 100C22 MDFKA□□ 100-22 120 |
| 977 | 125 | 1.1 | 28.000 | 1836 | 9327 | 1739 | 9328 | 1242 | 84 | 7.45E-03 | GFL07 - 2A □□□ 100C22 MDFKA□□ 100-22 120 |
| 195 | 510 | 3.1 | 3.350 | 338 | 9326 | 445 | 9328 | 639 | 510 | 2.00E-02 | GFL07 - 2A □□□ 112C22 MDFKA□□ 112-22 60 |
| 273 | 368 | 2.3 | 4.643 | 469 | 9326 | 617 | 9328 | 653 | 368 | 1.92E-02 | GFL07 - 2A □□□ 112C22 MDFKA□□ 112-22 60 |
| 302 | 331 | 2.6 | 5.159 | 521 | 9326 | 685 | 9328 | 850 | 331 | 1.91E-02 | GFL07 - 2A □□□ 112C22 MDFKA□□ 112-22 60 |
| 334 | 300 | 2.6 | 5.695 | 575 | 9326 | 756 | 9328 | 914 | 300 | 1.98E-02 | GFL07 - 2A □□□ 112C22 MDFKA□□ 112-22 60 |
| 379 | 267 | 1.7 | 6.400 | 646 | 9326 | 850 | 9328 | 662 | 267 | 1.90E-02 | GFL07 - 2A □□□ 112C22 MDFKA□□ 112-22 60 |
| 421 | 239 | 2.1 | 7.150 | 722 | 9326 | 950 | 9328 | 918 | 239 | 1.92E-02 | GFL07 - 2A □□□ 112C22 MDFKA□□ 112-22 60 |
| 491 | 205 | 1.9 | 8.324 | 841 | 9326 | 1106 | 9328 | 993 | 205 | 1.93E-02 | GFL07 - 2A □□□ 112C22 MDFKA□□ 112-22 60 |
| 555 | 182 | 1.7 | 9.379 | 947 | 9326 | 1246 | 9328 | 999 | 171 | 1.92E-02 | GFL07 - 2A □□□ 112C22 MDFKA□□ 112-22 60 |
| 575 | 176 | 1.6 | 9.714 | 981 | 9326 | 1290 | 9328 | 969 | 176 | 1.88E-02 | GFL07 - 2A □□□ 112C22 MDFKA□□ 112-22 60 |
| 684 | 148 | 1.5 | 11.538 | 1165 | 9326 | 1533 | 9328 | 1080 | 148 | 1.89E-02 | GFL07 - 2A □□□ 112C22 MDFKA□□ 112-22 60 |
| 772 | 132 | 1.3 | 13.000 | 1313 | 9326 | 1633 | 9328 | 1089 | 126 | 1.88E-02 | GFL07 - 2A □□□ 112C22 MDFKA□□ 112-22 60 |
| 843 | 120 | 1.3 | 14.200 | 1434 | 9326 | 1715 | 9328 | 1143 | 120 | 1.86E-02 | GFL07 - 2A □□□ 112C22 MDFKA□□ 112-22 60 |
| 946 | 108 | 1.2 | 15.904 | 1606 | 9326 | 1768 | 9328 | 1179 | 108 | 1.85E-02 | GFL07 - 2A □□□ 112C22 MDFKA□□ 112-22 60 |
| 1067 | 95 | 1.1 | 17.920 | 1784 | 9326 | 1784 | 9328 | 1189 | 95 | 1.85E-02 | GFL07 - 2A □□□ 112C22 MDFKA□□ 112-22 60 |
| 176 | 1051 | 2.7 | 3.350 | 350 | 9328 | 434 | 9330 | 639 | 567 | 2.00E-02 | GFL07 - 2A □□□ 112C22 MDFKA□□ 112-22 120 |
| 245 | 758 | 2.0 | 4.643 | 485 | 9328 | 602 | 9330 | 653 | 434 | 1.92E-02 | GFL07 - 2A □□□ 112C22 MDFKA□□ 112-22 120 |
| 272 | 682 | 2.3 | 5.159 | 539 | 9328 | 669 | 9330 | 850 | 354 | 1.91E-02 | GFL07 - 2A □□□ 112C22 MDFKA□□ 112-22 120 |
| 300 | 618 | 2.3 | 5.695 | 595 | 9328 | 738 | 9330 | 914 | 319 | 1.98E-02 | GFL07 - 2A □□□ 112C22 MDFKA□□ 112-22 120 |
| 340 | 550 | 1.5 | 6.400 | 669 | 9328 | 830 | 9330 | 662 | 315 | 1.90E-02 | GFL07 - 2A □□□ 112C22 MDFKA□□ 112-22 120 |
| 378 | 492 | 1.8 | 7.150 | 747 | 9328 | 927 | 9330 | 918 | 271 | 1.92E-02 | GFL07 - 2A □□□ 112C22 MDFKA□□ 112-22 120 |
| 441 | 423 | 1.7 | 8.324 | 870 | 9328 | 1079 | 9330 | 993 | 191 | 1.93E-02 | GFL07 - 2A □□□ 112C22 MDFKA□□ 112-22 120 |
| 498 | 375 | 1.5 | 9.379 | 980 | 9328 | 1216 | 9330 | 999 | 159 | 1.92E-02 | GFL07 - 2A □□□ 112C22 MDFKA□□ 112-22 120 |
| 516 | 362 | 1.4 | 9.714 | 1015 | 9328 | 1259 | 9330 | 969 | 195 | 1.88E-02 | GFL07 - 2A □□□ 112C22 MDFKA□□ 112-22 120 |
| 614 | 305 | 1.3 | 11.538 | 1206 | 9328 | 1496 | 9330 | 1080 | 141 | 1.89E-02 | GFL07 - 2A □□□ 112C22 MDFKA□□ 112-22 120 |

Observe the notes for thermal dimensioning.

Selection tables - Shaft-mounted helical gearboxes

Forced ventilated asynchronous geared servo motors

| M ₂ [Nm] | n _{2 trans} [rpm] | c | i | M _{2 max} short-time on geared motor at | | | | M _{2 Gr} gearbox c=1 n ₁ ≤1400 rpm [Nm] | n _{2 therm} [rpm] | J _{GM} referred to motor shaft [kgm ²] | Servo shaft-mounted helical geared motor Dimensions on Page 4-82 |
|------------------------|-------------------------------|------------|---------------|---|-------------|----------------------------|-------------|---|-------------------------------|---|---|
| | | | | 8 kHz | | 16 kHz | | | | | |
| | | | | M _{2 max} [Nm] | Type EVS | M _{2 max} [Nm] | Type EVS | | | | |
| 692 | 271 | 1.2 | 13.000 | 1358 | 9328 | 1633 | 9330 | 1089 | 118 | 1.88E-02 | GFL07 - 2A □□□ 112C22 MDFKA□□ 112-22 120 |
| 757 | 248 | 1.1 | 14.200 | 1484 | 9328 | 1715 | 9330 | 1143 | 120 | 1.86E-02 | GFL07 - 2A □□□ 112C22 MDFKA□□ 112-22 120 |
| 848 | 221 | 1.0 | 15.904 | 1662 | 9328 | 1768 | 9330 | 1179 | 110 | 1.85E-02 | GFL07 - 2A □□□ 112C22 MDFKA□□ 112-22 120 |
| 388 | 52 | 2.2 | 65.306 | 811 | 9324 | 1186 | 9325 | 883 | 52 | 9.09E-04 | GFL07 - 3A □□□ 071C22 MDFKA□□ 071-22 120 |
| 432 | 47 | 1.9 | 72.452 | 900 | 9324 | 1303 | 9325 | 869 | 47 | 9.19E-04 | GFL07 - 3A □□□ 071C22 MDFKA□□ 071-22 120 |
| 487 | 42 | 1.9 | 81.636 | 1014 | 9324 | 1468 | 9325 | 979 | 42 | 9.18E-04 | GFL07 - 3A □□□ 071C22 MDFKA□□ 071-22 120 |
| 553 | 37 | 1.7 | 92.413 | 1148 | 9324 | 1441 | 9325 | 961 | 37 | 8.91E-04 | GFL07 - 3A □□□ 071C22 MDFKA□□ 071-22 120 |
| 623 | 33 | 1.7 | 104.127 | 1294 | 9324 | 1624 | 9325 | 1082 | 33 | 8.90E-04 | GFL07 - 3A □□□ 071C22 MDFKA□□ 071-22 120 |
| 678 | 30 | 1.5 | 113.206 | 1406 | 9324 | 1559 | 9325 | 1040 | 30 | 8.75E-04 | GFL07 - 3A □□□ 071C22 MDFKA□□ 071-22 120 |
| 764 | 27 | 1.5 | 127.556 | 1585 | 9324 | 1757 | 9325 | 1171 | 27 | 8.74E-04 | GFL07 - 3A □□□ 071C22 MDFKA□□ 071-22 120 |
| 885 | 23 | 1.2 | 147.347 | 1710 | 9324 | 1710 | 9325 | 1140 | 23 | 8.57E-04 | GFL07 - 3A □□□ 071C22 MDFKA□□ 071-22 120 |
| 998 | 21 | 1.2 | 166.025 | 1872 | 9324 | 1872 | 9325 | 1248 | 21 | 8.57E-04 | GFL07 - 3A □□□ 071C22 MDFKA□□ 071-22 120 |
| 1103 | 19 | 1.1 | 183.285 | 1853 | 9324 | 1853 | 9325 | 1236 | 19 | 8.49E-04 | GFL07 - 3A □□□ 071C22 MDFKA□□ 071-22 120 |
| 748 | 25 | 1.2 | 65.306 | 1324 | 9324 | 1324 | 9324 | 883 | 25 | 2.00E-03 | GFL07 - 3A □□□ 080C22 MDFKA□□ 080-22 60 |
| 830 | 23 | 1.0 | 72.452 | 1303 | 9324 | 1303 | 9324 | 869 | 23 | 2.01E-03 | GFL07 - 3A □□□ 080C22 MDFKA□□ 080-22 60 |
| 936 | 20 | 1.0 | 81.636 | 1468 | 9324 | 1468 | 9324 | 979 | 20 | 2.01E-03 | GFL07 - 3A □□□ 080C22 MDFKA□□ 080-22 60 |
| 672 | 53 | 1.2 | 65.306 | 1324 | 9325 | 1323 | 9325 | 883 | 53 | 2.00E-03 | GFL07 - 3A □□□ 080C22 MDFKA□□ 080-22 120 |
| 747 | 48 | 1.1 | 72.452 | 1303 | 9325 | 1303 | 9325 | 869 | 47 | 2.01E-03 | GFL07 - 3A □□□ 080C22 MDFKA□□ 080-22 120 |
| 842 | 42 | 1.1 | 81.636 | 1468 | 9325 | 1468 | 9325 | 979 | 42 | 2.01E-03 | GFL07 - 3A □□□ 080C22 MDFKA□□ 080-22 120 |
| 367 | 50 | 4.5 | 32.667 | 938 | 9324 | 681 | 9324 | 1699 | 50 | 2.46E-03 | GFL09 - 2A □□□ 080C22 MDFKA□□ 080-22 60 |
| 413 | 44 | 4.5 | 36.815 | 1057 | 9324 | 768 | 9324 | 1915 | 44 | 2.44E-03 | GFL09 - 2A □□□ 080C22 MDFKA□□ 080-22 60 |
| 448 | 41 | 3.8 | 39.667 | 1139 | 9324 | 827 | 9324 | 1761 | 41 | 2.33E-03 | GFL09 - 2A □□□ 080C22 MDFKA□□ 080-22 60 |
| 505 | 37 | 3.8 | 44.704 | 1284 | 9324 | 933 | 9324 | 1985 | 37 | 2.31E-03 | GFL09 - 2A □□□ 080C22 MDFKA□□ 080-22 60 |
| 585 | 32 | 3.1 | 51.333 | 1474 | 9324 | 1071 | 9324 | 1825 | 32 | 2.18E-03 | GFL09 - 2A □□□ 080C22 MDFKA□□ 080-22 60 |
| 659 | 28 | 3.1 | 57.852 | 1661 | 9324 | 1207 | 9324 | 2057 | 28 | 2.17E-03 | GFL09 - 2A □□□ 080C22 MDFKA□□ 080-22 60 |
| 714 | 26 | 2.6 | 62.300 | 1789 | 9324 | 1300 | 9324 | 1854 | 26 | 2.11E-03 | GFL09 - 2A □□□ 080C22 MDFKA□□ 080-22 60 |
| 804 | 23 | 2.6 | 70.211 | 2016 | 9324 | 1465 | 9324 | 2090 | 23 | 2.10E-03 | GFL09 - 2A □□□ 080C22 MDFKA□□ 080-22 60 |
| 910 | 21 | 1.8 | 78.750 | 2262 | 9324 | 1643 | 9324 | 1631 | 21 | 2.05E-03 | GFL09 - 2A □□□ 080C22 MDFKA□□ 080-22 60 |
| 1026 | 18 | 1.7 | 88.750 | 2549 | 9324 | 1851 | 9324 | 1781 | 18 | 2.04E-03 | GFL09 - 2A □□□ 080C22 MDFKA□□ 080-22 60 |
| 196 | 176 | 5.6 | 19.667 | 559 | 9325 | 405 | 9325 | 1524 | 148 | 3.13E-03 | GFL09 - 2A □□□ 080C22 MDFKA□□ 080-22 120 |
| 221 | 156 | 5.6 | 22.164 | 630 | 9325 | 456 | 9325 | 1717 | 131 | 3.05E-03 | GFL09 - 2A □□□ 080C22 MDFKA□□ 080-22 120 |
| 331 | 106 | 4.3 | 32.667 | 929 | 9325 | 672 | 9325 | 1699 | 106 | 2.46E-03 | GFL09 - 2A □□□ 080C22 MDFKA□□ 080-22 120 |
| 373 | 94 | 4.3 | 36.815 | 1047 | 9325 | 757 | 9325 | 1915 | 94 | 2.44E-03 | GFL09 - 2A □□□ 080C22 MDFKA□□ 080-22 120 |
| 404 | 87 | 3.6 | 39.667 | 1128 | 9325 | 816 | 9325 | 1761 | 87 | 2.33E-03 | GFL09 - 2A □□□ 080C22 MDFKA□□ 080-22 120 |

Observe the notes for thermal dimensioning.

Selection tables - Shaft-mounted helical gearboxes

Forced ventilated asynchronous geared servo motors



| M ₂ [Nm] | n _{2 trans} [rpm] | c | i | M _{2 max} short-time on geared motor at | | | | M _{2 Gr} gearbox c=1 n ₁ ≤ 1400 rpm [Nm] | n _{2 therm} [rpm] | J _{GM} referred to motor shaft [kgm ²] | Servo shaft-mounted helical geared motor Dimensions on Page 4-82 |
|------------------------|-------------------------------|-----|--------|---|-------------|----------------------------|-------------|--|-------------------------------|---|---|
| | | | | 8 kHz | | 16 kHz | | | | | |
| | | | | M _{2 max} [Nm] | Type EVS | M _{2 max} [Nm] | Type EVS | | | | |
| 456 | 77 | 3.6 | 44.704 | 1271 | 9325 | 920 | 9325 | 1985 | 77 | 2.31E-03 | GFL09 - 2A □□□ 080C22 MDFKA□□ 080-22 120 |
| 527 | 67 | 2.9 | 51.333 | 1459 | 9325 | 1056 | 9325 | 1825 | 67 | 2.18E-03 | GFL09 - 2A □□□ 080C22 MDFKA□□ 080-22 120 |
| 594 | 60 | 2.9 | 57.852 | 1645 | 9325 | 1190 | 9325 | 2057 | 60 | 2.17E-03 | GFL09 - 2A □□□ 080C22 MDFKA□□ 080-22 120 |
| 643 | 55 | 2.4 | 62.300 | 1771 | 9325 | 1281 | 9325 | 1854 | 55 | 2.11E-03 | GFL09 - 2A □□□ 080C22 MDFKA□□ 080-22 120 |
| 723 | 49 | 2.7 | 70.211 | 1996 | 9325 | 1444 | 9325 | 2090 | 49 | 2.10E-03 | GFL09 - 2A □□□ 080C22 MDFKA□□ 080-22 120 |
| 818 | 44 | 1.9 | 78.750 | 2239 | 9325 | 1620 | 9325 | 1631 | 44 | 2.05E-03 | GFL09 - 2A □□□ 080C22 MDFKA□□ 080-22 120 |
| 922 | 39 | 1.8 | 88.750 | 2523 | 9325 | 1826 | 9325 | 1781 | 39 | 2.04E-03 | GFL09 - 2A □□□ 080C22 MDFKA□□ 080-22 120 |
| 180 | 186 | 5.3 | 9.010 | 500 | 9325 | 367 | 9325 | 1037 | 186 | 6.28E-03 | GFL09 - 2A □□□ 090C22 MDFKA□□ 090-22 60 |
| 195 | 171 | 5.3 | 9.799 | 544 | 9325 | 399 | 9325 | 1128 | 171 | 6.13E-03 | GFL09 - 2A □□□ 090C22 MDFKA□□ 090-22 60 |
| 224 | 150 | 4.8 | 11.167 | 620 | 9325 | 455 | 9325 | 1156 | 150 | 5.55E-03 | GFL09 - 2A □□□ 090C22 MDFKA□□ 090-22 60 |
| 286 | 117 | 5.3 | 14.333 | 796 | 9325 | 584 | 9325 | 1650 | 117 | 5.60E-03 | GFL09 - 2A □□□ 090C22 MDFKA□□ 090-22 60 |
| 327 | 103 | 4.8 | 16.333 | 906 | 9325 | 666 | 9325 | 1692 | 103 | 5.15E-03 | GFL09 - 2A □□□ 090C22 MDFKA□□ 090-22 60 |
| 369 | 91 | 4.8 | 18.407 | 1022 | 9325 | 750 | 9325 | 1906 | 91 | 5.06E-03 | GFL09 - 2A □□□ 090C22 MDFKA□□ 090-22 60 |
| 397 | 85 | 4.2 | 19.667 | 1091 | 9325 | 801 | 9325 | 1784 | 85 | 4.81E-03 | GFL09 - 2A □□□ 090C22 MDFKA□□ 090-22 60 |
| 447 | 76 | 4.2 | 22.164 | 1230 | 9325 | 903 | 9325 | 2010 | 76 | 4.73E-03 | GFL09 - 2A □□□ 090C22 MDFKA□□ 090-22 60 |
| 489 | 70 | 3.7 | 24.111 | 1338 | 9325 | 983 | 9325 | 1876 | 70 | 4.50E-03 | GFL09 - 2A □□□ 090C22 MDFKA□□ 090-22 60 |
| 551 | 62 | 3.7 | 27.173 | 1508 | 9325 | 1107 | 9325 | 2114 | 62 | 4.46E-03 | GFL09 - 2A □□□ 090C22 MDFKA□□ 090-22 60 |
| 668 | 51 | 2.9 | 32.667 | 1813 | 9325 | 1331 | 9325 | 1990 | 51 | 4.14E-03 | GFL09 - 2A □□□ 090C22 MDFKA□□ 090-22 60 |
| 753 | 46 | 2.9 | 36.815 | 2043 | 9325 | 1500 | 9325 | 2242 | 46 | 4.12E-03 | GFL09 - 2A □□□ 090C22 MDFKA□□ 090-22 60 |
| 815 | 42 | 2.5 | 39.667 | 2201 | 9325 | 1616 | 9325 | 2061 | 42 | 4.01E-03 | GFL09 - 2A □□□ 090C22 MDFKA□□ 090-22 60 |
| 918 | 38 | 2.5 | 44.704 | 2481 | 9325 | 1822 | 9325 | 2323 | 38 | 3.99E-03 | GFL09 - 2A □□□ 090C22 MDFKA□□ 090-22 60 |
| 1060 | 33 | 2.0 | 51.333 | 2849 | 9325 | 2092 | 9325 | 2136 | 33 | 3.86E-03 | GFL09 - 2A □□□ 090C22 MDFKA□□ 090-22 60 |
| 1194 | 29 | 2.0 | 57.852 | 3211 | 9325 | 2357 | 9325 | 2407 | 29 | 3.85E-03 | GFL09 - 2A □□□ 090C22 MDFKA□□ 090-22 60 |
| 1291 | 27 | 1.7 | 62.300 | 3255 | 9325 | 2539 | 9325 | 2170 | 27 | 3.79E-03 | GFL09 - 2A □□□ 090C22 MDFKA□□ 090-22 60 |
| 1454 | 24 | 1.7 | 70.211 | 3668 | 9325 | 2861 | 9325 | 2445 | 24 | 3.78E-03 | GFL09 - 2A □□□ 090C22 MDFKA□□ 090-22 60 |
| 160 | 386 | 4.7 | 9.010 | 443 | 9326 | 390 | 9327 | 1037 | 252 | 6.28E-03 | GFL09 - 2A □□□ 090C22 MDFKA□□ 090-22 120 |
| 174 | 355 | 4.7 | 9.799 | 482 | 9326 | 424 | 9327 | 1128 | 232 | 6.13E-03 | GFL09 - 2A □□□ 090C22 MDFKA□□ 090-22 120 |
| 199 | 312 | 4.2 | 11.167 | 549 | 9326 | 483 | 9327 | 1156 | 218 | 5.55E-03 | GFL09 - 2A □□□ 090C22 MDFKA□□ 090-22 120 |
| 254 | 243 | 4.7 | 14.333 | 705 | 9326 | 620 | 9327 | 1650 | 158 | 5.60E-03 | GFL09 - 2A □□□ 090C22 MDFKA□□ 090-22 120 |
| 291 | 213 | 4.2 | 16.333 | 803 | 9326 | 707 | 9327 | 1692 | 149 | 5.15E-03 | GFL09 - 2A □□□ 090C22 MDFKA□□ 090-22 120 |
| 328 | 189 | 4.2 | 18.407 | 906 | 9326 | 797 | 9327 | 1906 | 132 | 5.06E-03 | GFL09 - 2A □□□ 090C22 MDFKA□□ 090-22 120 |
| 352 | 177 | 3.7 | 19.667 | 967 | 9326 | 851 | 9327 | 1784 | 136 | 4.81E-03 | GFL09 - 2A □□□ 090C22 MDFKA□□ 090-22 120 |
| 397 | 157 | 3.7 | 22.164 | 1090 | 9326 | 959 | 9327 | 2010 | 121 | 4.73E-03 | GFL09 - 2A □□□ 090C22 MDFKA□□ 090-22 120 |
| 432 | 144 | 3.6 | 24.111 | 1186 | 9326 | 1043 | 9327 | 1876 | 120 | 4.50E-03 | GFL09 - 2A □□□ 090C22 MDFKA□□ 090-22 120 |

Observe the notes for thermal dimensioning.

Selection tables - Shaft-mounted helical gearboxes

Forced ventilated asynchronous geared servo motors

| M ₂ [Nm] | n ₂ trans [rpm] | c | i | M ₂ max short-time on geared motor at | | | | M ₂ Gr gearbox c=1 n ₁ ≤ 1400 rpm [Nm] | n ₂ therm [rpm] | J _{GM} referred to motor shaft [kgm ²] | Servo shaft-mounted helical geared motor Dimensions on Page 4-82 |
|------------------------|-------------------------------|-----|--------|---|-------------|----------------------------|-------------|--|-------------------------------|---|---|
| | | | | 8 kHz | | 16 kHz | | | | | |
| | | | | M ₂ max [Nm] | Type EVS | M ₂ max [Nm] | Type EVS | | | | |
| 487 | 128 | 3.6 | 27.173 | 1337 | 9326 | 1176 | 9327 | 2114 | 106 | 4.46E-03 | GFL09 - 2A □□□ 090C22 MDFKA□□ 090-22 120 |
| 591 | 107 | 2.8 | 32.667 | 1607 | 9326 | 1414 | 9327 | 1990 | 95 | 4.14E-03 | GFL09 - 2A □□□ 090C22 MDFKA□□ 090-22 120 |
| 666 | 95 | 2.8 | 36.815 | 1811 | 9326 | 1593 | 9327 | 2242 | 85 | 4.12E-03 | GFL09 - 2A □□□ 090C22 MDFKA□□ 090-22 120 |
| 721 | 88 | 2.4 | 39.667 | 1951 | 9326 | 1717 | 9327 | 2061 | 78 | 4.01E-03 | GFL09 - 2A □□□ 090C22 MDFKA□□ 090-22 120 |
| 812 | 78 | 2.4 | 44.704 | 2199 | 9326 | 1934 | 9327 | 2323 | 70 | 3.99E-03 | GFL09 - 2A □□□ 090C22 MDFKA□□ 090-22 120 |
| 937 | 68 | 1.9 | 51.333 | 2525 | 9326 | 2221 | 9327 | 2136 | 61 | 3.86E-03 | GFL09 - 2A □□□ 090C22 MDFKA□□ 090-22 120 |
| 1056 | 60 | 1.9 | 57.852 | 2846 | 9326 | 2503 | 9327 | 2407 | 54 | 3.85E-03 | GFL09 - 2A □□□ 090C22 MDFKA□□ 090-22 120 |
| 1141 | 56 | 1.6 | 62.300 | 3065 | 9326 | 2696 | 9327 | 2170 | 50 | 3.79E-03 | GFL09 - 2A □□□ 090C22 MDFKA□□ 090-22 120 |
| 1284 | 50 | 1.8 | 70.211 | 3454 | 9326 | 3038 | 9327 | 2445 | 44 | 3.78E-03 | GFL09 - 2A □□□ 090C22 MDFKA□□ 090-22 120 |
| 375 | 152 | 5.6 | 11.167 | 543 | 9325 | 656 | 9326 | 2303 | 152 | 9.15E-03 | GFL09 - 2A □□□ 100C22 MDFKA□□ 100-22 60 |
| 416 | 138 | 4.9 | 12.307 | 598 | 9325 | 722 | 9326 | 2223 | 138 | 9.96E-03 | GFL09 - 2A □□□ 100C22 MDFKA□□ 100-22 60 |
| 487 | 119 | 4.5 | 14.333 | 697 | 9325 | 841 | 9326 | 2374 | 119 | 9.20E-03 | GFL09 - 2A □□□ 100C22 MDFKA□□ 100-22 60 |
| 557 | 104 | 4.1 | 16.333 | 794 | 9325 | 959 | 9326 | 2461 | 104 | 8.75E-03 | GFL09 - 2A □□□ 100C22 MDFKA□□ 100-22 60 |
| 630 | 92 | 3.7 | 18.407 | 895 | 9325 | 1081 | 9326 | 2480 | 92 | 8.66E-03 | GFL09 - 2A □□□ 100C22 MDFKA□□ 100-22 60 |
| 674 | 86 | 3.5 | 19.667 | 956 | 9325 | 1154 | 9326 | 2563 | 86 | 8.41E-03 | GFL09 - 2A □□□ 100C22 MDFKA□□ 100-22 60 |
| 763 | 77 | 3.2 | 22.164 | 1077 | 9325 | 1301 | 9326 | 2612 | 77 | 8.33E-03 | GFL09 - 2A □□□ 100C22 MDFKA□□ 100-22 60 |
| 830 | 71 | 3.2 | 24.111 | 1172 | 9325 | 1415 | 9326 | 2722 | 71 | 8.10E-03 | GFL09 - 2A □□□ 100C22 MDFKA□□ 100-22 60 |
| 938 | 63 | 2.9 | 27.173 | 1321 | 9325 | 1595 | 9326 | 2767 | 63 | 8.06E-03 | GFL09 - 2A □□□ 100C22 MDFKA□□ 100-22 60 |
| 1132 | 52 | 2.6 | 32.667 | 1588 | 9325 | 1918 | 9326 | 2990 | 52 | 7.74E-03 | GFL09 - 2A □□□ 100C22 MDFKA□□ 100-22 60 |
| 1279 | 46 | 2.3 | 36.815 | 1790 | 9325 | 2161 | 9326 | 3018 | 46 | 7.72E-03 | GFL09 - 2A □□□ 100C22 MDFKA□□ 100-22 60 |
| 1379 | 43 | 2.2 | 39.667 | 1928 | 9325 | 2328 | 9326 | 3107 | 43 | 7.61E-03 | GFL09 - 2A □□□ 100C22 MDFKA□□ 100-22 60 |
| 1559 | 38 | 1.9 | 44.704 | 2173 | 9325 | 2624 | 9326 | 3027 | 38 | 7.59E-03 | GFL09 - 2A □□□ 100C22 MDFKA□□ 100-22 60 |
| 229 | 511 | 5.2 | 6.864 | 450 | 9327 | 426 | 9328 | 1662 | 298 | 1.13E-02 | GFL09 - 2A □□□ 100C22 MDFKA□□ 100-22 120 |
| 249 | 470 | 5.2 | 7.466 | 490 | 9327 | 464 | 9328 | 1807 | 274 | 1.11E-02 | GFL09 - 2A □□□ 100C22 MDFKA□□ 100-22 120 |
| 302 | 390 | 4.9 | 9.010 | 591 | 9327 | 559 | 9328 | 2040 | 254 | 9.88E-03 | GFL09 - 2A □□□ 100C22 MDFKA□□ 100-22 120 |
| 329 | 358 | 4.9 | 9.799 | 643 | 9327 | 609 | 9328 | 2219 | 233 | 9.73E-03 | GFL09 - 2A □□□ 100C22 MDFKA□□ 100-22 120 |
| 376 | 314 | 4.4 | 11.167 | 732 | 9327 | 693 | 9328 | 2303 | 219 | 9.15E-03 | GFL09 - 2A □□□ 100C22 MDFKA□□ 100-22 120 |
| 417 | 285 | 3.9 | 12.307 | 807 | 9327 | 764 | 9328 | 2223 | 156 | 9.96E-03 | GFL09 - 2A □□□ 100C22 MDFKA□□ 100-22 120 |
| 487 | 245 | 3.6 | 14.333 | 940 | 9327 | 890 | 9328 | 2374 | 149 | 9.20E-03 | GFL09 - 2A □□□ 100C22 MDFKA□□ 100-22 120 |
| 557 | 215 | 3.2 | 16.333 | 1071 | 9327 | 1014 | 9328 | 2461 | 140 | 8.75E-03 | GFL09 - 2A □□□ 100C22 MDFKA□□ 100-22 120 |
| 630 | 191 | 2.9 | 18.407 | 1207 | 9327 | 1143 | 9328 | 2480 | 122 | 8.66E-03 | GFL09 - 2A □□□ 100C22 MDFKA□□ 100-22 120 |
| 674 | 178 | 2.8 | 19.667 | 1290 | 9327 | 1221 | 9328 | 2563 | 125 | 8.41E-03 | GFL09 - 2A □□□ 100C22 MDFKA□□ 100-22 120 |
| 762 | 158 | 2.5 | 22.164 | 1454 | 9327 | 1376 | 9328 | 2612 | 110 | 8.33E-03 | GFL09 - 2A □□□ 100C22 MDFKA□□ 100-22 120 |
| 827 | 146 | 2.8 | 24.111 | 1581 | 9327 | 1497 | 9328 | 2722 | 102 | 8.10E-03 | GFL09 - 2A □□□ 100C22 MDFKA□□ 100-22 120 |

Observe the notes for thermal dimensioning.

Selection tables - Shaft-mounted helical gearboxes

Forced ventilated asynchronous geared servo motors



| M ₂ [Nm] | n _{2 trans} [rpm] | c | i | M _{2 max} short-time on geared motor at | | | | M _{2 Gr} gearbox c=1 n ₁ ≤ 1400 rpm [Nm] | n _{2 therm} [rpm] | J _{GM} referred to motor shaft [kgm ²] | Servo shaft-mounted helical geared motor Dimensions on Page 4-82 |
|------------------------|-------------------------------|------------|---------------|--|-------------|----------------------------|-------------|---|-------------------------------|--|---|
| | | | | 8 kHz | | 16 kHz | | | | | |
| | | | | M _{2 max} [Nm] | Type EVS | M _{2 max} [Nm] | Type EVS | | | | |
| 934 | 129 | 2.5 | 27.173 | 1782 | 9327 | 1687 | 9328 | 2767 | 90 | 8.06E-03 | GFL09 - 2A □□□ 100C22 MDFKA□□ 100-22 120 |
| 1126 | 107 | 2.2 | 32.667 | 2143 | 9327 | 2028 | 9328 | 2990 | 75 | 7.74E-03 | GFL09 - 2A □□□ 100C22 MDFKA□□ 100-22 120 |
| 1273 | 95 | 2.0 | 36.815 | 2415 | 9327 | 2286 | 9328 | 3018 | 67 | 7.72E-03 | GFL09 - 2A □□□ 100C22 MDFKA□□ 100-22 120 |
| 1372 | 88 | 1.9 | 39.667 | 2602 | 9327 | 2463 | 9328 | 3107 | 62 | 7.61E-03 | GFL09 - 2A □□□ 100C22 MDFKA□□ 100-22 120 |
| 1551 | 79 | 1.7 | 44.704 | 2932 | 9327 | 2776 | 9328 | 3027 | 55 | 7.59E-03 | GFL09 - 2A □□□ 100C22 MDFKA□□ 100-22 120 |
| 393 | 249 | 4.9 | 6.864 | 693 | 9326 | 912 | 9328 | 2089 | 249 | 2.21E-02 | GFL09 - 2A □□□ 112C22 MDFKA□□ 112-22 60 |
| 428 | 229 | 4.6 | 7.466 | 754 | 9326 | 992 | 9328 | 2156 | 229 | 2.19E-02 | GFL09 - 2A □□□ 112C22 MDFKA□□ 112-22 60 |
| 520 | 190 | 4.0 | 9.010 | 910 | 9326 | 1197 | 9328 | 2230 | 190 | 2.07E-02 | GFL09 - 2A □□□ 112C22 MDFKA□□ 112-22 60 |
| 567 | 175 | 3.8 | 9.799 | 990 | 9326 | 1302 | 9328 | 2310 | 175 | 2.05E-02 | GFL09 - 2A □□□ 112C22 MDFKA□□ 112-22 60 |
| 649 | 153 | 3.3 | 11.167 | 1128 | 9326 | 1483 | 9328 | 2303 | 153 | 2.00E-02 | GFL09 - 2A □□□ 112C22 MDFKA□□ 112-22 60 |
| 719 | 139 | 2.9 | 12.307 | 1243 | 9326 | 1635 | 9328 | 2223 | 139 | 2.08E-02 | GFL09 - 2A □□□ 112C22 MDFKA□□ 112-22 60 |
| 839 | 119 | 2.7 | 14.333 | 1448 | 9326 | 1904 | 9328 | 2374 | 119 | 2.00E-02 | GFL09 - 2A □□□ 112C22 MDFKA□□ 112-22 60 |
| 959 | 105 | 2.4 | 16.333 | 1650 | 9326 | 2170 | 9328 | 2461 | 105 | 1.96E-02 | GFL09 - 2A □□□ 112C22 MDFKA□□ 112-22 60 |
| 1083 | 93 | 2.2 | 18.407 | 1859 | 9326 | 2445 | 9328 | 2480 | 93 | 1.95E-02 | GFL09 - 2A □□□ 112C22 MDFKA□□ 112-22 60 |
| 1158 | 87 | 2.1 | 19.667 | 1986 | 9326 | 2612 | 9328 | 2563 | 87 | 1.92E-02 | GFL09 - 2A □□□ 112C22 MDFKA□□ 112-22 60 |
| 1308 | 77 | 1.9 | 22.164 | 2239 | 9326 | 2944 | 9328 | 2612 | 77 | 1.91E-02 | GFL09 - 2A □□□ 112C22 MDFKA□□ 112-22 60 |
| 1423 | 71 | 1.9 | 24.111 | 2435 | 9326 | 3203 | 9328 | 2722 | 71 | 1.89E-02 | GFL09 - 2A □□□ 112C22 MDFKA□□ 112-22 60 |
| 1607 | 63 | 1.7 | 27.173 | 2745 | 9326 | 3609 | 9328 | 2767 | 63 | 1.89E-02 | GFL09 - 2A □□□ 112C22 MDFKA□□ 112-22 60 |
| 354 | 513 | 4.3 | 6.864 | 717 | 9328 | 890 | 9330 | 2089 | 285 | 2.21E-02 | GFL09 - 2A □□□ 112C22 MDFKA□□ 112-22 120 |
| 386 | 471 | 4.1 | 7.466 | 780 | 9328 | 968 | 9330 | 2156 | 259 | 2.19E-02 | GFL09 - 2A □□□ 112C22 MDFKA□□ 112-22 120 |
| 468 | 391 | 3.5 | 9.010 | 941 | 9328 | 1168 | 9330 | 2230 | 223 | 2.07E-02 | GFL09 - 2A □□□ 112C22 MDFKA□□ 112-22 120 |
| 510 | 359 | 3.3 | 9.799 | 1024 | 9328 | 1270 | 9330 | 2310 | 205 | 2.05E-02 | GFL09 - 2A □□□ 112C22 MDFKA□□ 112-22 120 |
| 584 | 315 | 2.9 | 11.167 | 1167 | 9328 | 1447 | 9330 | 2303 | 180 | 2.00E-02 | GFL09 - 2A □□□ 112C22 MDFKA□□ 112-22 120 |
| 646 | 286 | 2.5 | 12.307 | 1286 | 9328 | 1595 | 9330 | 2223 | 141 | 2.08E-02 | GFL09 - 2A □□□ 112C22 MDFKA□□ 112-22 120 |
| 754 | 246 | 2.3 | 14.333 | 1498 | 9328 | 1858 | 9330 | 2374 | 135 | 2.00E-02 | GFL09 - 2A □□□ 112C22 MDFKA□□ 112-22 120 |
| 861 | 216 | 2.1 | 16.333 | 1707 | 9328 | 2117 | 9330 | 2461 | 123 | 1.96E-02 | GFL09 - 2A □□□ 112C22 MDFKA□□ 112-22 120 |
| 973 | 191 | 1.9 | 18.407 | 1923 | 9328 | 2386 | 9330 | 2480 | 108 | 1.95E-02 | GFL09 - 2A □□□ 112C22 MDFKA□□ 112-22 120 |
| 1040 | 179 | 1.8 | 19.667 | 2055 | 9328 | 2549 | 9330 | 2563 | 102 | 1.92E-02 | GFL09 - 2A □□□ 112C22 MDFKA□□ 112-22 120 |
| 1175 | 159 | 1.7 | 22.164 | 2316 | 9328 | 2873 | 9330 | 2612 | 91 | 1.91E-02 | GFL09 - 2A □□□ 112C22 MDFKA□□ 112-22 120 |
| 1276 | 146 | 1.8 | 24.111 | 2519 | 9328 | 3125 | 9330 | 2722 | 84 | 1.89E-02 | GFL09 - 2A □□□ 112C22 MDFKA□□ 112-22 120 |
| 1441 | 130 | 1.6 | 27.173 | 2839 | 9328 | 3522 | 9330 | 2767 | 74 | 1.89E-02 | GFL09 - 2A □□□ 112C22 MDFKA□□ 112-22 120 |
| 372 | 54 | 3.4 | 63.326 | 787 | 9324 | 1150 | 9325 | 1510 | 54 | 1.06E-03 | GFL09 - 3A □□□ 071C22 MDFKA□□ 071-22 120 |
| 430 | 47 | 3.3 | 73.173 | 909 | 9324 | 1329 | 9325 | 1517 | 47 | 1.08E-03 | GFL09 - 3A □□□ 071C22 MDFKA□□ 071-22 120 |
| 485 | 41 | 3.3 | 82.465 | 1025 | 9324 | 1497 | 9325 | 1710 | 41 | 1.07E-03 | GFL09 - 3A □□□ 071C22 MDFKA□□ 071-22 120 |

Observe the notes for thermal dimensioning.

Selection tables - Shaft-mounted helical gearboxes

Forced ventilated asynchronous geared servo motors

| M ₂ [Nm] | n _{2 trans} [rpm] | c | i | M _{2 max} short-time on geared motor at | | | | M _{2 Gr} gearbox c=1 n ₁ ≤1400 rpm [Nm] | n _{2 therm} [rpm] | J _{GM} referred to motor shaft [kgm ²] | Servo shaft-mounted helical geared motor Dimensions on Page 4-82 |
|------------------------|-------------------------------|-----|---------|---|-------------|----------------------------|-------------|---|-------------------------------|---|---|
| | | | | 8 kHz | | 16 kHz | | | | | |
| | | | | M _{2 max} [Nm] | Type EVS | M _{2 max} [Nm] | Type EVS | | | | |
| 551 | 37 | 2.9 | 93.333 | 1160 | 9324 | 1695 | 9325 | 1692 | 37 | 9.98E-04 | GFL09 - 3A □□□ 071C22 MDFKA□□ 071-22 120 |
| 621 | 32 | 2.9 | 105.185 | 1307 | 9324 | 1910 | 9325 | 1907 | 32 | 9.95E-04 | GFL09 - 3A □□□ 071C22 MDFKA□□ 071-22 120 |
| 677 | 30 | 2.6 | 114.333 | 1420 | 9324 | 2076 | 9325 | 1847 | 30 | 9.53E-04 | GFL09 - 3A □□□ 071C22 MDFKA□□ 071-22 120 |
| 763 | 26 | 2.6 | 128.852 | 1601 | 9324 | 2340 | 9325 | 2082 | 26 | 9.51E-04 | GFL09 - 3A □□□ 071C22 MDFKA□□ 071-22 120 |
| 885 | 23 | 2.2 | 148.815 | 1849 | 9324 | 2702 | 9325 | 2053 | 23 | 9.07E-04 | GFL09 - 3A □□□ 071C22 MDFKA□□ 071-22 120 |
| 997 | 20 | 2.2 | 167.712 | 2084 | 9324 | 3045 | 9325 | 2314 | 20 | 9.06E-04 | GFL09 - 3A □□□ 071C22 MDFKA□□ 071-22 120 |
| 1104 | 18 | 1.9 | 185.111 | 2300 | 9324 | 3347 | 9325 | 2232 | 18 | 8.85E-04 | GFL09 - 3A □□□ 071C22 MDFKA□□ 071-22 120 |
| 1244 | 16 | 1.9 | 208.617 | 2592 | 9324 | 3772 | 9325 | 2515 | 16 | 8.84E-04 | GFL09 - 3A □□□ 071C22 MDFKA□□ 071-22 120 |
| 1343 | 15 | 1.7 | 224.778 | 2793 | 9324 | 3610 | 9325 | 2407 | 15 | 8.81E-04 | GFL09 - 3A □□□ 071C22 MDFKA□□ 071-22 120 |
| 1514 | 13 | 1.7 | 253.321 | 3147 | 9324 | 4068 | 9325 | 2712 | 13 | 8.80E-04 | GFL09 - 3A □□□ 071C22 MDFKA□□ 071-22 120 |
| 1743 | 12 | 1.4 | 290.889 | 3614 | 9324 | 3960 | 9325 | 2640 | 12 | 8.61E-04 | GFL09 - 3A □□□ 071C22 MDFKA□□ 071-22 120 |
| 1965 | 10 | 1.4 | 327.827 | 4073 | 9324 | 4463 | 9325 | 2976 | 10 | 8.61E-04 | GFL09 - 3A □□□ 071C22 MDFKA□□ 071-22 120 |
| 2120 | 9.7 | 1.3 | 353.033 | 4220 | 9324 | 4220 | 9325 | 2813 | 9.7 | 8.53E-04 | GFL09 - 3A □□□ 071C22 MDFKA□□ 071-22 120 |
| 2389 | 8.6 | 1.3 | 397.863 | 4756 | 9324 | 4756 | 9325 | 3170 | 8.6 | 8.52E-04 | GFL09 - 3A □□□ 071C22 MDFKA□□ 071-22 120 |
| 2554 | 8.0 | 1.0 | 424.247 | 4086 | 9324 | 4086 | 9325 | 2724 | 8.0 | 8.59E-04 | GFL09 - 3A □□□ 071C22 MDFKA□□ 071-22 120 |
| 718 | 26 | 2.1 | 63.326 | 1791 | 9324 | 1301 | 9324 | 1510 | 26 | 2.15E-03 | GFL09 - 3A □□□ 080C22 MDFKA□□ 080-22 60 |
| 832 | 22 | 1.8 | 73.173 | 2070 | 9324 | 1504 | 9324 | 1517 | 22 | 2.17E-03 | GFL09 - 3A □□□ 080C22 MDFKA□□ 080-22 60 |
| 938 | 20 | 1.8 | 82.465 | 2333 | 9324 | 1694 | 9324 | 1710 | 20 | 2.16E-03 | GFL09 - 3A □□□ 080C22 MDFKA□□ 080-22 60 |
| 1064 | 18 | 1.6 | 93.333 | 2538 | 9324 | 1918 | 9324 | 1692 | 18 | 2.09E-03 | GFL09 - 3A □□□ 080C22 MDFKA□□ 080-22 60 |
| 1199 | 16 | 1.6 | 105.185 | 2861 | 9324 | 2161 | 9324 | 1907 | 16 | 2.09E-03 | GFL09 - 3A □□□ 080C22 MDFKA□□ 080-22 60 |
| 1306 | 14 | 1.4 | 114.333 | 2771 | 9324 | 2349 | 9324 | 1847 | 14 | 2.04E-03 | GFL09 - 3A □□□ 080C22 MDFKA□□ 080-22 60 |
| 1471 | 13 | 1.4 | 128.852 | 3122 | 9324 | 2648 | 9324 | 2082 | 13 | 2.04E-03 | GFL09 - 3A □□□ 080C22 MDFKA□□ 080-22 60 |
| 1703 | 11 | 1.2 | 148.815 | 3080 | 9324 | 3058 | 9324 | 2053 | 11 | 2.00E-03 | GFL09 - 3A □□□ 080C22 MDFKA□□ 080-22 60 |
| 1919 | 9.8 | 1.2 | 167.712 | 3471 | 9324 | 3446 | 9324 | 2314 | 9.8 | 2.00E-03 | GFL09 - 3A □□□ 080C22 MDFKA□□ 080-22 60 |
| 2122 | 8.8 | 1.1 | 185.111 | 3347 | 9324 | 3347 | 9324 | 2232 | 8.8 | 1.97E-03 | GFL09 - 3A □□□ 080C22 MDFKA□□ 080-22 60 |
| 2391 | 7.8 | 1.1 | 208.617 | 3772 | 9324 | 3772 | 9324 | 2515 | 7.8 | 1.97E-03 | GFL09 - 3A □□□ 080C22 MDFKA□□ 080-22 60 |
| 647 | 55 | 2.0 | 63.326 | 1773 | 9325 | 1283 | 9325 | 1510 | 55 | 2.15E-03 | GFL09 - 3A □□□ 080C22 MDFKA□□ 080-22 120 |
| 748 | 47 | 1.9 | 73.173 | 2049 | 9325 | 1483 | 9325 | 1517 | 47 | 2.17E-03 | GFL09 - 3A □□□ 080C22 MDFKA□□ 080-22 120 |
| 843 | 42 | 1.9 | 82.465 | 2309 | 9325 | 1671 | 9325 | 1710 | 42 | 2.16E-03 | GFL09 - 3A □□□ 080C22 MDFKA□□ 080-22 120 |
| 957 | 37 | 1.7 | 93.333 | 2538 | 9325 | 1891 | 9325 | 1692 | 37 | 2.09E-03 | GFL09 - 3A □□□ 080C22 MDFKA□□ 080-22 120 |
| 1078 | 33 | 1.7 | 105.185 | 2861 | 9325 | 2131 | 9325 | 1907 | 33 | 2.09E-03 | GFL09 - 3A □□□ 080C22 MDFKA□□ 080-22 120 |
| 1174 | 30 | 1.5 | 114.333 | 2771 | 9325 | 2316 | 9325 | 1847 | 30 | 2.04E-03 | GFL09 - 3A □□□ 080C22 MDFKA□□ 080-22 120 |
| 1323 | 27 | 1.5 | 128.852 | 3122 | 9325 | 2611 | 9325 | 2082 | 27 | 2.04E-03 | GFL09 - 3A □□□ 080C22 MDFKA□□ 080-22 120 |
| 1532 | 23 | 1.3 | 148.815 | 3080 | 9325 | 3015 | 9325 | 2053 | 23 | 2.00E-03 | GFL09 - 3A □□□ 080C22 MDFKA□□ 080-22 120 |

Observe the notes for thermal dimensioning.

Selection tables - Shaft-mounted helical gearboxes

Forced ventilated asynchronous geared servo motors



| M ₂ [Nm] | n _{2 trans} [rpm] | c | i | M _{2 max} short-time on geared motor at | | | | M _{2 Gr} gearbox c=1 n ₁ ≤ 1400 rpm [Nm] | n _{2 therm} [rpm] | J _{GM} referred to motor shaft [kgm ²] | Servo shaft-mounted helical geared motor Dimensions on Page 4-82 |
|------------------------|-------------------------------|-----|---------|--|-------------|----------------------------|-------------|---|-------------------------------|--|---|
| | | | | 8 kHz | | 16 kHz | | | | | |
| | | | | M _{2 max} [Nm] | Type EVS | M _{2 max} [Nm] | Type EVS | | | | |
| 1726 | 21 | 1.3 | 167.712 | 3471 | 9325 | 3398 | 9325 | 2314 | 21 | 2.00E-03 | GFL09 - 3A □□□ 080C22 MDFKA□□ 080-22 120 |
| 1908 | 19 | 1.1 | 185.111 | 3347 | 9325 | 3347 | 9325 | 2232 | 19 | 1.97E-03 | GFL09 - 3A □□□ 080C22 MDFKA□□ 080-22 120 |
| 2151 | 17 | 1.1 | 208.617 | 3772 | 9325 | 3772 | 9325 | 2515 | 17 | 1.97E-03 | GFL09 - 3A □□□ 080C22 MDFKA□□ 080-22 120 |
| 1299 | 27 | 1.2 | 63.326 | 2265 | 9325 | 2265 | 9325 | 1510 | 27 | 3.83E-03 | GFL09 - 3A □□□ 090C22 MDFKA□□ 090-22 60 |
| 1503 | 23 | 1.0 | 73.173 | 2276 | 9325 | 2276 | 9325 | 1517 | 23 | 3.85E-03 | GFL09 - 3A □□□ 090C22 MDFKA□□ 090-22 60 |
| 1694 | 20 | 1.0 | 82.465 | 2565 | 9325 | 2565 | 9325 | 1710 | 20 | 3.84E-03 | GFL09 - 3A □□□ 090C22 MDFKA□□ 090-22 60 |
| 1148 | 55 | 1.1 | 63.326 | 2265 | 9326 | 2265 | 9327 | 1510 | 49 | 3.83E-03 | GFL09 - 3A □□□ 090C22 MDFKA□□ 090-22 120 |
| 1327 | 48 | 1.1 | 73.173 | 2276 | 9326 | 2276 | 9327 | 1517 | 38 | 3.85E-03 | GFL09 - 3A □□□ 090C22 MDFKA□□ 090-22 120 |
| 1496 | 42 | 1.1 | 82.465 | 2565 | 9326 | 2565 | 9327 | 1710 | 34 | 3.84E-03 | GFL09 - 3A □□□ 090C22 MDFKA□□ 090-22 120 |
| 589 | 31 | 3.8 | 52.067 | 1495 | 9324 | 1086 | 9324 | 2307 | 31 | 2.73E-03 | GFL11 - 2A □□□ 080C22 MDFKA□□ 080-22 60 |
| 663 | 28 | 3.8 | 58.667 | 1685 | 9324 | 1224 | 9324 | 2599 | 28 | 2.70E-03 | GFL11 - 2A □□□ 080C22 MDFKA□□ 080-22 60 |
| 719 | 26 | 3.2 | 63.190 | 1815 | 9324 | 1318 | 9324 | 2344 | 26 | 2.51E-03 | GFL11 - 2A □□□ 080C22 MDFKA□□ 080-22 60 |
| 810 | 23 | 3.2 | 71.200 | 2045 | 9324 | 1485 | 9324 | 2641 | 23 | 2.49E-03 | GFL11 - 2A □□□ 080C22 MDFKA□□ 080-22 60 |
| 915 | 20 | 2.6 | 79.875 | 2294 | 9324 | 1666 | 9324 | 2381 | 20 | 2.31E-03 | GFL11 - 2A □□□ 080C22 MDFKA□□ 080-22 60 |
| 1031 | 18 | 2.6 | 90.000 | 2585 | 9324 | 1877 | 9324 | 2683 | 18 | 2.30E-03 | GFL11 - 2A □□□ 080C22 MDFKA□□ 080-22 60 |
| 531 | 66 | 3.6 | 52.067 | 1480 | 9325 | 1071 | 9325 | 2307 | 66 | 2.73E-03 | GFL11 - 2A □□□ 080C22 MDFKA□□ 080-22 120 |
| 598 | 59 | 3.6 | 58.667 | 1668 | 9325 | 1207 | 9325 | 2599 | 59 | 2.70E-03 | GFL11 - 2A □□□ 080C22 MDFKA□□ 080-22 120 |
| 648 | 55 | 3.0 | 63.190 | 1796 | 9325 | 1300 | 9325 | 2344 | 55 | 2.51E-03 | GFL11 - 2A □□□ 080C22 MDFKA□□ 080-22 120 |
| 728 | 49 | 3.4 | 71.200 | 2024 | 9325 | 1465 | 9325 | 2641 | 49 | 2.49E-03 | GFL11 - 2A □□□ 080C22 MDFKA□□ 080-22 120 |
| 822 | 43 | 2.7 | 79.875 | 2271 | 9325 | 1643 | 9325 | 2381 | 43 | 2.31E-03 | GFL11 - 2A □□□ 080C22 MDFKA□□ 080-22 120 |
| 926 | 38 | 2.7 | 90.000 | 2559 | 9325 | 1851 | 9325 | 2683 | 38 | 2.30E-03 | GFL11 - 2A □□□ 080C22 MDFKA□□ 080-22 120 |
| 405 | 83 | 5.2 | 20.286 | 1126 | 9325 | 827 | 9325 | 2281 | 83 | 7.21E-03 | GFL11 - 2A □□□ 090C22 MDFKA□□ 090-22 60 |
| 456 | 74 | 5.2 | 22.857 | 1269 | 9325 | 931 | 9325 | 2570 | 74 | 7.03E-03 | GFL11 - 2A □□□ 090C22 MDFKA□□ 090-22 60 |
| 664 | 51 | 3.7 | 32.739 | 1817 | 9325 | 1334 | 9325 | 2533 | 51 | 5.31E-03 | GFL11 - 2A □□□ 090C22 MDFKA□□ 090-22 60 |
| 748 | 46 | 3.7 | 36.889 | 2047 | 9325 | 1503 | 9325 | 2855 | 46 | 5.25E-03 | GFL11 - 2A □□□ 090C22 MDFKA□□ 090-22 60 |
| 821 | 42 | 3.1 | 40.233 | 2233 | 9325 | 1640 | 9325 | 2607 | 42 | 4.86E-03 | GFL11 - 2A □□□ 090C22 MDFKA□□ 090-22 60 |
| 925 | 37 | 3.1 | 45.333 | 2516 | 9325 | 1847 | 9325 | 2938 | 37 | 4.82E-03 | GFL11 - 2A □□□ 090C22 MDFKA□□ 090-22 60 |
| 1069 | 32 | 2.5 | 52.067 | 2890 | 9325 | 2122 | 9325 | 2701 | 32 | 4.41E-03 | GFL11 - 2A □□□ 090C22 MDFKA□□ 090-22 60 |
| 1205 | 29 | 2.5 | 58.667 | 3256 | 9325 | 2391 | 9325 | 3044 | 29 | 4.38E-03 | GFL11 - 2A □□□ 090C22 MDFKA□□ 090-22 60 |
| 1303 | 27 | 2.1 | 63.190 | 3507 | 9325 | 2575 | 9325 | 2745 | 27 | 4.19E-03 | GFL11 - 2A □□□ 090C22 MDFKA□□ 090-22 60 |
| 1469 | 24 | 2.1 | 71.200 | 3951 | 9325 | 2901 | 9325 | 3093 | 24 | 4.17E-03 | GFL11 - 2A □□□ 090C22 MDFKA□□ 090-22 60 |
| 1655 | 21 | 1.7 | 79.875 | 4184 | 9325 | 3255 | 9325 | 2789 | 21 | 3.99E-03 | GFL11 - 2A □□□ 090C22 MDFKA□□ 090-22 60 |
| 1864 | 19 | 1.7 | 90.000 | 4714 | 9325 | 3668 | 9325 | 3143 | 19 | 3.98E-03 | GFL11 - 2A □□□ 090C22 MDFKA□□ 090-22 60 |
| 360 | 172 | 4.6 | 20.286 | 998 | 9326 | 878 | 9327 | 2281 | 112 | 7.21E-03 | GFL11 - 2A □□□ 090C22 MDFKA□□ 090-22 120 |

Observe the notes for thermal dimensioning.

Selection tables - Shaft-mounted helical gearboxes

Forced ventilated asynchronous geared servo motors

| M ₂ [Nm] | n _{2 trans} [rpm] | c | i | M _{2 max} short-time on geared motor at | | | | M _{2 Gr} gearbox c=1 n ₁ ≤ 1400 rpm [Nm] | n _{2 therm} [rpm] | J _{GM} referred to motor shaft [kgm ²] | Servo shaft-mounted helical geared motor Dimensions on Page 4-82 |
|------------------------|-------------------------------|-----|--------|---|-------------|----------------------------|-------------|--|-------------------------------|---|---|
| | | | | 8 kHz | | 16 kHz | | | | | |
| | | | | M _{2 max} [Nm] | Type EVS | M _{2 max} [Nm] | Type EVS | | | | |
| 406 | 152 | 4.6 | 22.857 | 1124 | 9326 | 989 | 9327 | 2570 | 99 | 7.03E-03 | GFL11 - 2A □□□ 090C22 MDFKA□□ 090-22 120 |
| 587 | 106 | 3.6 | 32.739 | 1610 | 9326 | 1417 | 9327 | 2533 | 88 | 5.31E-03 | GFL11 - 2A □□□ 090C22 MDFKA□□ 090-22 120 |
| 662 | 94 | 3.6 | 36.889 | 1815 | 9326 | 1596 | 9327 | 2855 | 78 | 5.25E-03 | GFL11 - 2A □□□ 090C22 MDFKA□□ 090-22 120 |
| 726 | 87 | 3.0 | 40.233 | 1979 | 9326 | 1741 | 9327 | 2607 | 77 | 4.86E-03 | GFL11 - 2A □□□ 090C22 MDFKA□□ 090-22 120 |
| 818 | 77 | 3.0 | 45.333 | 2230 | 9326 | 1962 | 9327 | 2938 | 69 | 4.82E-03 | GFL11 - 2A □□□ 090C22 MDFKA□□ 090-22 120 |
| 946 | 67 | 2.4 | 52.067 | 2561 | 9326 | 2253 | 9327 | 2701 | 60 | 4.41E-03 | GFL11 - 2A □□□ 090C22 MDFKA□□ 090-22 120 |
| 1066 | 59 | 2.4 | 58.667 | 2886 | 9326 | 2539 | 9327 | 3044 | 53 | 4.38E-03 | GFL11 - 2A □□□ 090C22 MDFKA□□ 090-22 120 |
| 1153 | 55 | 2.0 | 63.190 | 3108 | 9326 | 2734 | 9327 | 2745 | 49 | 4.19E-03 | GFL11 - 2A □□□ 090C22 MDFKA□□ 090-22 120 |
| 1296 | 49 | 2.2 | 71.200 | 3502 | 9326 | 3081 | 9327 | 3093 | 44 | 4.17E-03 | GFL11 - 2A □□□ 090C22 MDFKA□□ 090-22 120 |
| 1460 | 44 | 1.8 | 79.875 | 3929 | 9326 | 3456 | 9327 | 2789 | 39 | 3.99E-03 | GFL11 - 2A □□□ 090C22 MDFKA□□ 090-22 120 |
| 1645 | 39 | 1.8 | 90.000 | 4427 | 9326 | 3895 | 9327 | 3143 | 35 | 3.98E-03 | GFL11 - 2A □□□ 090C22 MDFKA□□ 090-22 120 |
| 600 | 95 | 5.8 | 17.920 | 871 | 9325 | 1052 | 9326 | 3789 | 95 | 1.20E-02 | GFL11 - 2A □□□ 100C22 MDFKA□□ 100-22 60 |
| 682 | 84 | 5.4 | 20.286 | 986 | 9325 | 1191 | 9326 | 4045 | 84 | 1.08E-02 | GFL11 - 2A □□□ 100C22 MDFKA□□ 100-22 60 |
| 773 | 74 | 4.8 | 22.857 | 1111 | 9325 | 1342 | 9326 | 4037 | 74 | 1.06E-02 | GFL11 - 2A □□□ 100C22 MDFKA□□ 100-22 60 |
| 840 | 68 | 4.9 | 24.850 | 1208 | 9325 | 1459 | 9326 | 4268 | 68 | 9.89E-03 | GFL11 - 2A □□□ 100C22 MDFKA□□ 100-22 60 |
| 952 | 61 | 4.3 | 28.000 | 1361 | 9325 | 1644 | 9326 | 4263 | 61 | 9.77E-03 | GFL11 - 2A □□□ 100C22 MDFKA□□ 100-22 60 |
| 1117 | 52 | 4.0 | 32.739 | 1591 | 9325 | 1922 | 9326 | 4603 | 52 | 8.91E-03 | GFL11 - 2A □□□ 100C22 MDFKA□□ 100-22 60 |
| 1265 | 46 | 3.5 | 36.889 | 1793 | 9325 | 2165 | 9326 | 4601 | 46 | 8.85E-03 | GFL11 - 2A □□□ 100C22 MDFKA□□ 100-22 60 |
| 1381 | 42 | 3.4 | 40.233 | 1956 | 9325 | 2362 | 9326 | 4882 | 42 | 8.46E-03 | GFL11 - 2A □□□ 100C22 MDFKA□□ 100-22 60 |
| 1563 | 38 | 3.1 | 45.333 | 2204 | 9325 | 2661 | 9326 | 4881 | 38 | 8.42E-03 | GFL11 - 2A □□□ 100C22 MDFKA□□ 100-22 60 |
| 1799 | 33 | 2.9 | 52.067 | 2531 | 9325 | 3056 | 9326 | 5251 | 33 | 8.01E-03 | GFL11 - 2A □□□ 100C22 MDFKA□□ 100-22 60 |
| 2033 | 29 | 2.5 | 58.667 | 2852 | 9325 | 3444 | 9326 | 5254 | 29 | 7.98E-03 | GFL11 - 2A □□□ 100C22 MDFKA□□ 100-22 60 |
| 2191 | 27 | 2.5 | 63.190 | 3072 | 9325 | 3709 | 9326 | 5557 | 27 | 7.79E-03 | GFL11 - 2A □□□ 100C22 MDFKA□□ 100-22 60 |
| 2476 | 24 | 2.2 | 71.200 | 3461 | 9325 | 4179 | 9326 | 5561 | 24 | 7.77E-03 | GFL11 - 2A □□□ 100C22 MDFKA□□ 100-22 60 |
| 358 | 327 | 5.2 | 10.720 | 703 | 9327 | 666 | 9328 | 2595 | 191 | 1.37E-02 | GFL11 - 2A □□□ 100C22 MDFKA□□ 100-22 120 |
| 532 | 221 | 5.2 | 15.904 | 1043 | 9327 | 988 | 9328 | 3800 | 128 | 1.23E-02 | GFL11 - 2A □□□ 100C22 MDFKA□□ 100-22 120 |
| 603 | 196 | 4.6 | 17.920 | 1175 | 9327 | 1113 | 9328 | 3789 | 111 | 1.20E-02 | GFL11 - 2A □□□ 100C22 MDFKA□□ 100-22 120 |
| 684 | 173 | 4.3 | 20.286 | 1331 | 9327 | 1260 | 9328 | 4045 | 110 | 1.08E-02 | GFL11 - 2A □□□ 100C22 MDFKA□□ 100-22 120 |
| 775 | 154 | 3.8 | 22.857 | 1499 | 9327 | 1419 | 9328 | 4037 | 95 | 1.06E-02 | GFL11 - 2A □□□ 100C22 MDFKA□□ 100-22 120 |
| 839 | 141 | 4.2 | 24.850 | 1630 | 9327 | 1543 | 9328 | 4268 | 99 | 9.89E-03 | GFL11 - 2A □□□ 100C22 MDFKA□□ 100-22 120 |
| 950 | 125 | 3.7 | 28.000 | 1836 | 9327 | 1739 | 9328 | 4263 | 87 | 9.77E-03 | GFL11 - 2A □□□ 100C22 MDFKA□□ 100-22 120 |
| 1115 | 107 | 3.4 | 32.739 | 2147 | 9327 | 2033 | 9328 | 4603 | 75 | 8.91E-03 | GFL11 - 2A □□□ 100C22 MDFKA□□ 100-22 120 |
| 1261 | 95 | 3.1 | 36.889 | 2419 | 9327 | 2291 | 9328 | 4601 | 66 | 8.85E-03 | GFL11 - 2A □□□ 100C22 MDFKA□□ 100-22 120 |
| 1377 | 87 | 3.0 | 40.233 | 2639 | 9327 | 2498 | 9328 | 4882 | 61 | 8.46E-03 | GFL11 - 2A □□□ 100C22 MDFKA□□ 100-22 120 |

Observe the notes for thermal dimensioning.

Selection tables - Shaft-mounted helical gearboxes

Forced ventilated asynchronous geared servo motors



| M ₂ [Nm] | n _{2 trans} [rpm] | c | i | M _{2 max} short-time on geared motor at | | | | M _{2 Gr} gearbox c=1 n ₁ ≤ 1400 rpm [Nm] | n _{2 therm} [rpm] | J _{GM} referred to motor shaft [kgm ²] | Servo shaft-mounted helical geared motor Dimensions on Page 4-82 |
|------------------------|-------------------------------|------------|---------------|--|-------------|----------------------------|-------------|---|-------------------------------|--|---|
| | | | | 8 kHz | | 16 kHz | | | | | |
| | | | | M _{2 max} [Nm] | Type EVS | M _{2 max} [Nm] | Type EVS | | | | |
| 1557 | 77 | 2.6 | 45.333 | 2973 | 9327 | 2815 | 9328 | 4881 | 54 | 8.42E-03 | GFL11 - 2A □□□ 100C22 MDFKA□□ 100-22 120 |
| 1791 | 67 | 2.5 | 52.067 | 3415 | 9327 | 3233 | 9328 | 5251 | 47 | 8.01E-03 | GFL11 - 2A □□□ 100C22 MDFKA□□ 100-22 120 |
| 2024 | 60 | 2.2 | 58.667 | 3848 | 9327 | 3643 | 9328 | 5254 | 42 | 7.98E-03 | GFL11 - 2A □□□ 100C22 MDFKA□□ 100-22 120 |
| 2181 | 56 | 2.2 | 63.190 | 4145 | 9327 | 3924 | 9328 | 5557 | 39 | 7.79E-03 | GFL11 - 2A □□□ 100C22 MDFKA□□ 100-22 120 |
| 2458 | 49 | 2.1 | 71.200 | 4670 | 9327 | 4421 | 9328 | 5561 | 34 | 7.77E-03 | GFL11 - 2A □□□ 100C22 MDFKA□□ 100-22 120 |
| 608 | 160 | 5.7 | 10.720 | 1083 | 9326 | 1424 | 9328 | 3818 | 160 | 2.45E-02 | GFL11 - 2A □□□ 112C22 MDFKA□□ 112-22 60 |
| 717 | 137 | 4.5 | 12.480 | 1261 | 9326 | 1658 | 9328 | 3466 | 132 | 2.62E-02 | GFL11 - 2A □□□ 112C22 MDFKA□□ 112-22 60 |
| 838 | 118 | 4.1 | 14.538 | 1468 | 9326 | 1931 | 9328 | 3718 | 118 | 2.38E-02 | GFL11 - 2A □□□ 112C22 MDFKA□□ 112-22 60 |
| 920 | 108 | 3.8 | 15.904 | 1606 | 9326 | 2112 | 9328 | 3800 | 108 | 2.31E-02 | GFL11 - 2A □□□ 112C22 MDFKA□□ 112-22 60 |
| 1041 | 95 | 3.4 | 17.920 | 1810 | 9326 | 2380 | 9328 | 3789 | 95 | 2.28E-02 | GFL11 - 2A □□□ 112C22 MDFKA□□ 112-22 60 |
| 1181 | 84 | 3.2 | 20.286 | 2049 | 9326 | 2694 | 9328 | 4045 | 84 | 2.16E-02 | GFL11 - 2A □□□ 112C22 MDFKA□□ 112-22 60 |
| 1336 | 75 | 2.8 | 22.857 | 2309 | 9326 | 3036 | 9328 | 4037 | 75 | 2.14E-02 | GFL11 - 2A □□□ 112C22 MDFKA□□ 112-22 60 |
| 1452 | 69 | 2.9 | 24.850 | 2510 | 9326 | 3301 | 9328 | 4268 | 69 | 2.07E-02 | GFL11 - 2A □□□ 112C22 MDFKA□□ 112-22 60 |
| 1641 | 61 | 2.6 | 28.000 | 2828 | 9326 | 3719 | 9328 | 4263 | 61 | 2.06E-02 | GFL11 - 2A □□□ 112C22 MDFKA□□ 112-22 60 |
| 1923 | 52 | 2.4 | 32.739 | 3307 | 9326 | 4349 | 9328 | 4603 | 52 | 1.97E-02 | GFL11 - 2A □□□ 112C22 MDFKA□□ 112-22 60 |
| 2173 | 46 | 2.1 | 36.889 | 3726 | 9326 | 4900 | 9328 | 4601 | 46 | 1.97E-02 | GFL11 - 2A □□□ 112C22 MDFKA□□ 112-22 60 |
| 2371 | 43 | 2.0 | 40.233 | 4064 | 9326 | 5344 | 9328 | 4882 | 43 | 1.93E-02 | GFL11 - 2A □□□ 112C22 MDFKA□□ 112-22 60 |
| 2678 | 38 | 1.8 | 45.333 | 4579 | 9326 | 6021 | 9328 | 4881 | 38 | 1.92E-02 | GFL11 - 2A □□□ 112C22 MDFKA□□ 112-22 60 |
| 458 | 391 | 5.6 | 9.010 | 941 | 9328 | 1168 | 9330 | 3570 | 223 | 2.60E-02 | GFL11 - 2A □□□ 112C22 MDFKA□□ 112-22 120 |
| 499 | 359 | 5.4 | 9.799 | 1024 | 9328 | 1270 | 9330 | 3767 | 205 | 2.55E-02 | GFL11 - 2A □□□ 112C22 MDFKA□□ 112-22 120 |
| 548 | 328 | 5.0 | 10.720 | 1120 | 9328 | 1390 | 9330 | 3818 | 188 | 2.45E-02 | GFL11 - 2A □□□ 112C22 MDFKA□□ 112-22 120 |
| 646 | 282 | 3.9 | 12.480 | 1304 | 9328 | 1618 | 9330 | 3466 | 128 | 2.62E-02 | GFL11 - 2A □□□ 112C22 MDFKA□□ 112-22 120 |
| 755 | 242 | 3.6 | 14.538 | 1519 | 9328 | 1885 | 9330 | 3718 | 126 | 2.38E-02 | GFL11 - 2A □□□ 112C22 MDFKA□□ 112-22 120 |
| 828 | 221 | 3.4 | 15.904 | 1662 | 9328 | 2062 | 9330 | 3800 | 117 | 2.31E-02 | GFL11 - 2A □□□ 112C22 MDFKA□□ 112-22 120 |
| 937 | 196 | 3.0 | 17.920 | 1873 | 9328 | 2323 | 9330 | 3789 | 101 | 2.28E-02 | GFL11 - 2A □□□ 112C22 MDFKA□□ 112-22 120 |
| 1062 | 174 | 2.8 | 20.286 | 2120 | 9328 | 2630 | 9330 | 4045 | 99 | 2.16E-02 | GFL11 - 2A □□□ 112C22 MDFKA□□ 112-22 120 |
| 1201 | 154 | 2.5 | 22.857 | 2388 | 9328 | 2963 | 9330 | 4037 | 86 | 2.14E-02 | GFL11 - 2A □□□ 112C22 MDFKA□□ 112-22 120 |
| 1302 | 142 | 2.8 | 24.850 | 2597 | 9328 | 3221 | 9330 | 4268 | 81 | 2.07E-02 | GFL11 - 2A □□□ 112C22 MDFKA□□ 112-22 120 |
| 1472 | 126 | 2.4 | 28.000 | 2926 | 9328 | 3629 | 9330 | 4263 | 72 | 2.06E-02 | GFL11 - 2A □□□ 112C22 MDFKA□□ 112-22 120 |
| 1724 | 108 | 2.3 | 32.739 | 3421 | 9328 | 4244 | 9330 | 4603 | 62 | 1.97E-02 | GFL11 - 2A □□□ 112C22 MDFKA□□ 112-22 120 |
| 1948 | 95 | 2.0 | 36.889 | 3855 | 9328 | 4782 | 9330 | 4601 | 55 | 1.97E-02 | GFL11 - 2A □□□ 112C22 MDFKA□□ 112-22 120 |
| 2126 | 87 | 1.9 | 40.233 | 4204 | 9328 | 5215 | 9330 | 4882 | 50 | 1.93E-02 | GFL11 - 2A □□□ 112C22 MDFKA□□ 112-22 120 |
| 2401 | 78 | 1.7 | 45.333 | 4737 | 9328 | 5876 | 9330 | 4881 | 44 | 1.92E-02 | GFL11 - 2A □□□ 112C22 MDFKA□□ 112-22 120 |
| 537 | 36 | 5.5 | 93.540 | 1162 | 9324 | 1699 | 9325 | 3206 | 36 | 1.33E-03 | GFL11 - 3A □□□ 071C22 MDFKA□□ 071-22 120 |

Observe the notes for thermal dimensioning.

Selection tables - Shaft-mounted helical gearboxes

Forced ventilated asynchronous geared servo motors

| M ₂ [Nm] | n _{2 trans} [rpm] | c | i | M _{2 max} short-time on geared motor at | | | | M _{2 Gr} gearbox c=1 n ₁ ≤1400 rpm [Nm] | n _{2 therm} [rpm] | J _{GM} referred to motor shaft [kgm ²] | Servo shaft-mounted helical geared motor Dimensions on Page 4-82 |
|------------------------|-------------------------------|-----|---------|---|-------------|----------------------------|-------------|---|-------------------------------|---|---|
| | | | | 8 kHz | | 16 kHz | | | | | |
| | | | | M _{2 max} [Nm] | Type EVS | M _{2 max} [Nm] | Type EVS | | | | |
| 605 | 32 | 5.5 | 105.397 | 1309 | 9324 | 1914 | 9325 | 3613 | 32 | 1.33E-03 | GFL11 - 3A □□□ 071C22 MDFKA□□ 071-22 120 |
| 868 | 23 | 4.2 | 149.144 | 1853 | 9324 | 2708 | 9325 | 3894 | 23 | 1.06E-03 | GFL11 - 3A □□□ 071C22 MDFKA□□ 071-22 120 |
| 978 | 20 | 4.2 | 168.049 | 2088 | 9324 | 3051 | 9325 | 4387 | 20 | 1.06E-03 | GFL11 - 3A □□□ 071C22 MDFKA□□ 071-22 120 |
| 1070 | 19 | 3.7 | 182.792 | 2271 | 9324 | 3319 | 9325 | 4233 | 19 | 9.96E-04 | GFL11 - 3A □□□ 071C22 MDFKA□□ 071-22 120 |
| 1205 | 17 | 3.7 | 205.963 | 2559 | 9324 | 3740 | 9325 | 4769 | 17 | 9.94E-04 | GFL11 - 3A □□□ 071C22 MDFKA□□ 071-22 120 |
| 1321 | 15 | 3.2 | 224.636 | 2791 | 9324 | 4079 | 9325 | 4523 | 15 | 9.82E-04 | GFL11 - 3A □□□ 071C22 MDFKA□□ 071-22 120 |
| 1489 | 13 | 3.2 | 253.111 | 3145 | 9324 | 4596 | 9325 | 5097 | 13 | 9.80E-04 | GFL11 - 3A □□□ 071C22 MDFKA□□ 071-22 120 |
| 1575 | 13 | 3.0 | 267.259 | 3320 | 9324 | 4853 | 9325 | 5106 | 13 | 1.02E-03 | GFL11 - 3A □□□ 071C22 MDFKA□□ 071-22 120 |
| 1937 | 10 | 2.7 | 327.556 | 4070 | 9324 | 5948 | 9325 | 5523 | 10 | 9.67E-04 | GFL11 - 3A □□□ 071C22 MDFKA□□ 071-22 120 |
| 2125 | 9.5 | 2.3 | 358.077 | 4449 | 9324 | 6502 | 9325 | 5283 | 9.5 | 8.98E-04 | GFL11 - 3A □□□ 071C22 MDFKA□□ 071-22 120 |
| 2395 | 8.5 | 2.3 | 403.467 | 5013 | 9324 | 7326 | 9325 | 5952 | 8.5 | 8.97E-04 | GFL11 - 3A □□□ 071C22 MDFKA□□ 071-22 120 |
| 2558 | 7.9 | 2.2 | 430.222 | 5345 | 9324 | 7812 | 9325 | 5942 | 7.9 | 9.15E-04 | GFL11 - 3A □□□ 071C22 MDFKA□□ 071-22 120 |
| 3117 | 6.5 | 1.8 | 522.133 | 6487 | 9324 | 8913 | 9325 | 5942 | 6.5 | 8.92E-04 | GFL11 - 3A □□□ 071C22 MDFKA□□ 071-22 120 |
| 3368 | 6.1 | 1.5 | 562.391 | 6987 | 9324 | 7979 | 9325 | 5319 | 6.1 | 8.90E-04 | GFL11 - 3A □□□ 071C22 MDFKA□□ 071-22 120 |
| 3797 | 5.4 | 1.5 | 633.680 | 7873 | 9324 | 8766 | 9325 | 5844 | 5.4 | 8.90E-04 | GFL11 - 3A □□□ 071C22 MDFKA□□ 071-22 120 |
| 4272 | 4.8 | 1.2 | 710.888 | 7979 | 9324 | 7979 | 9325 | 5319 | 4.8 | 8.69E-04 | GFL11 - 3A □□□ 071C22 MDFKA□□ 071-22 120 |
| 4814 | 4.3 | 1.2 | 801.000 | 8766 | 9324 | 8766 | 9325 | 5844 | 4.3 | 8.68E-04 | GFL11 - 3A □□□ 071C22 MDFKA□□ 071-22 120 |
| 727 | 25 | 3.9 | 65.306 | 1847 | 9324 | 1342 | 9324 | 2891 | 25 | 2.62E-03 | GFL11 - 3A □□□ 080C22 MDFKA□□ 080-22 60 |
| 820 | 22 | 3.4 | 73.335 | 2075 | 9324 | 1507 | 9324 | 2875 | 22 | 2.70E-03 | GFL11 - 3A □□□ 080C22 MDFKA□□ 080-22 60 |
| 924 | 20 | 3.4 | 82.631 | 2338 | 9324 | 1698 | 9324 | 3240 | 20 | 2.69E-03 | GFL11 - 3A □□□ 080C22 MDFKA□□ 080-22 60 |
| 1050 | 17 | 3.0 | 93.540 | 2646 | 9324 | 1922 | 9324 | 3206 | 17 | 2.42E-03 | GFL11 - 3A □□□ 080C22 MDFKA□□ 080-22 60 |
| 1184 | 16 | 3.0 | 105.397 | 2982 | 9324 | 2166 | 9324 | 3613 | 16 | 2.42E-03 | GFL11 - 3A □□□ 080C22 MDFKA□□ 080-22 60 |
| 1291 | 14 | 2.7 | 114.586 | 3241 | 9324 | 2354 | 9324 | 3501 | 14 | 2.29E-03 | GFL11 - 3A □□□ 080C22 MDFKA□□ 080-22 60 |
| 1455 | 13 | 2.7 | 129.111 | 3652 | 9324 | 2653 | 9324 | 3945 | 13 | 2.29E-03 | GFL11 - 3A □□□ 080C22 MDFKA□□ 080-22 60 |
| 1688 | 11 | 2.3 | 149.144 | 4219 | 9324 | 3064 | 9324 | 3894 | 11 | 2.15E-03 | GFL11 - 3A □□□ 080C22 MDFKA□□ 080-22 60 |
| 1901 | 9.7 | 2.3 | 168.049 | 4754 | 9324 | 3453 | 9324 | 4387 | 9.7 | 2.15E-03 | GFL11 - 3A □□□ 080C22 MDFKA□□ 080-22 60 |
| 2074 | 8.9 | 2.0 | 182.792 | 5171 | 9324 | 3756 | 9324 | 4233 | 8.9 | 2.09E-03 | GFL11 - 3A □□□ 080C22 MDFKA□□ 080-22 60 |
| 2337 | 7.9 | 2.0 | 205.963 | 5826 | 9324 | 4232 | 9324 | 4769 | 7.9 | 2.08E-03 | GFL11 - 3A □□□ 080C22 MDFKA□□ 080-22 60 |
| 2556 | 7.3 | 1.8 | 224.636 | 6355 | 9324 | 4616 | 9324 | 4523 | 7.3 | 2.07E-03 | GFL11 - 3A □□□ 080C22 MDFKA□□ 080-22 60 |
| 2880 | 6.5 | 1.8 | 253.111 | 7160 | 9324 | 5201 | 9324 | 5097 | 6.5 | 2.07E-03 | GFL11 - 3A □□□ 080C22 MDFKA□□ 080-22 60 |
| 3044 | 6.1 | 1.7 | 267.259 | 7560 | 9324 | 5491 | 9324 | 5106 | 6.1 | 2.11E-03 | GFL11 - 3A □□□ 080C22 MDFKA□□ 080-22 60 |
| 3738 | 5.0 | 1.5 | 327.556 | 8284 | 9324 | 6730 | 9324 | 5523 | 5.0 | 2.06E-03 | GFL11 - 3A □□□ 080C22 MDFKA□□ 080-22 60 |
| 4094 | 4.6 | 1.3 | 358.077 | 7924 | 9324 | 7357 | 9324 | 5283 | 4.6 | 1.99E-03 | GFL11 - 3A □□□ 080C22 MDFKA□□ 080-22 60 |
| 4613 | 4.1 | 1.3 | 403.467 | 8928 | 9324 | 8290 | 9324 | 5952 | 4.1 | 1.99E-03 | GFL11 - 3A □□□ 080C22 MDFKA□□ 080-22 60 |

Observe the notes for thermal dimensioning.

Selection tables - Shaft-mounted helical gearboxes

Forced ventilated asynchronous geared servo motors



| M ₂ [Nm] | n _{2 trans} [rpm] | c | i | M _{2 max} short-time on geared motor at | | | | M _{2 Gr} gearbox c=1 n ₁ ≤ 1400 rpm [Nm] | n _{2 therm} [rpm] | J _{GM} referred to motor shaft [kgm ²] | Servo shaft-mounted helical geared motor Dimensions on Page 4-82 |
|------------------------|-------------------------------|-----|---------|--|-------------|----------------------------|-------------|---|-------------------------------|--|---|
| | | | | 8 kHz | | 16 kHz | | | | | |
| | | | | M _{2 max} [Nm] | Type EVS | M _{2 max} [Nm] | Type EVS | | | | |
| 4923 | 3.8 | 1.2 | 430.222 | 8913 | 9324 | 8840 | 9324 | 5942 | 3.8 | 2.01E-03 | GFL11 - 3A □□□ 080C22 MDFKA□□ 080-22 60 |
| 652 | 53 | 4.1 | 65.306 | 1829 | 9325 | 1323 | 9325 | 2891 | 53 | 2.62E-03 | GFL11 - 3A □□□ 080C22 MDFKA□□ 080-22 120 |
| 736 | 47 | 3.6 | 73.335 | 2054 | 9325 | 1486 | 9325 | 2875 | 47 | 2.70E-03 | GFL11 - 3A □□□ 080C22 MDFKA□□ 080-22 120 |
| 829 | 42 | 3.6 | 82.631 | 2314 | 9325 | 1674 | 9325 | 3240 | 42 | 2.69E-03 | GFL11 - 3A □□□ 080C22 MDFKA□□ 080-22 120 |
| 944 | 37 | 3.2 | 93.540 | 2619 | 9325 | 1895 | 9325 | 3206 | 37 | 2.42E-03 | GFL11 - 3A □□□ 080C22 MDFKA□□ 080-22 120 |
| 1063 | 33 | 3.2 | 105.397 | 2951 | 9325 | 2135 | 9325 | 3613 | 33 | 2.42E-03 | GFL11 - 3A □□□ 080C22 MDFKA□□ 080-22 120 |
| 1160 | 30 | 2.8 | 114.586 | 3209 | 9325 | 2322 | 9325 | 3501 | 30 | 2.29E-03 | GFL11 - 3A □□□ 080C22 MDFKA□□ 080-22 120 |
| 1307 | 27 | 2.8 | 129.111 | 3615 | 9325 | 2616 | 9325 | 3945 | 27 | 2.29E-03 | GFL11 - 3A □□□ 080C22 MDFKA□□ 080-22 120 |
| 1517 | 23 | 2.4 | 149.144 | 4176 | 9325 | 3022 | 9325 | 3894 | 23 | 2.15E-03 | GFL11 - 3A □□□ 080C22 MDFKA□□ 080-22 120 |
| 1709 | 21 | 2.4 | 168.049 | 4706 | 9325 | 3405 | 9325 | 4387 | 21 | 2.15E-03 | GFL11 - 3A □□□ 080C22 MDFKA□□ 080-22 120 |
| 1864 | 19 | 2.1 | 182.792 | 5118 | 9325 | 3703 | 9325 | 4233 | 19 | 2.09E-03 | GFL11 - 3A □□□ 080C22 MDFKA□□ 080-22 120 |
| 2100 | 17 | 2.1 | 205.963 | 5767 | 9325 | 4173 | 9325 | 4769 | 17 | 2.08E-03 | GFL11 - 3A □□□ 080C22 MDFKA□□ 080-22 120 |
| 2298 | 15 | 1.9 | 224.636 | 6290 | 9325 | 4551 | 9325 | 4523 | 15 | 2.07E-03 | GFL11 - 3A □□□ 080C22 MDFKA□□ 080-22 120 |
| 2589 | 14 | 1.9 | 253.111 | 7087 | 9325 | 5128 | 9325 | 5097 | 14 | 2.07E-03 | GFL11 - 3A □□□ 080C22 MDFKA□□ 080-22 120 |
| 2736 | 13 | 1.8 | 267.259 | 7484 | 9325 | 5415 | 9325 | 5106 | 13 | 2.11E-03 | GFL11 - 3A □□□ 080C22 MDFKA□□ 080-22 120 |
| 3361 | 11 | 1.6 | 327.556 | 8284 | 9325 | 6636 | 9325 | 5523 | 11 | 2.06E-03 | GFL11 - 3A □□□ 080C22 MDFKA□□ 080-22 120 |
| 3682 | 9.7 | 1.4 | 358.077 | 7924 | 9325 | 7255 | 9325 | 5283 | 9.7 | 1.99E-03 | GFL11 - 3A □□□ 080C22 MDFKA□□ 080-22 120 |
| 4148 | 8.6 | 1.4 | 403.467 | 8928 | 9325 | 8174 | 9325 | 5952 | 8.6 | 1.99E-03 | GFL11 - 3A □□□ 080C22 MDFKA□□ 080-22 120 |
| 4428 | 8.0 | 1.3 | 430.222 | 8913 | 9325 | 8716 | 9325 | 5942 | 8.0 | 2.01E-03 | GFL11 - 3A □□□ 080C22 MDFKA□□ 080-22 120 |
| 5386 | 6.6 | 1.1 | 522.133 | 8913 | 9325 | 8913 | 9325 | 5942 | 6.6 | 1.98E-03 | GFL11 - 3A □□□ 080C22 MDFKA□□ 080-22 120 |
| 1326 | 26 | 2.2 | 65.306 | 3570 | 9325 | 2621 | 9325 | 2891 | 26 | 4.30E-03 | GFL11 - 3A □□□ 090C22 MDFKA□□ 090-22 60 |
| 1492 | 23 | 1.9 | 73.335 | 4009 | 9325 | 2944 | 9325 | 2875 | 23 | 4.38E-03 | GFL11 - 3A □□□ 090C22 MDFKA□□ 090-22 60 |
| 1682 | 20 | 1.9 | 82.631 | 4517 | 9325 | 3317 | 9325 | 3240 | 20 | 4.37E-03 | GFL11 - 3A □□□ 090C22 MDFKA□□ 090-22 60 |
| 1909 | 18 | 1.7 | 93.540 | 4809 | 9325 | 3755 | 9325 | 3206 | 18 | 4.10E-03 | GFL11 - 3A □□□ 090C22 MDFKA□□ 090-22 60 |
| 2150 | 16 | 1.7 | 105.397 | 5419 | 9325 | 4230 | 9325 | 3613 | 16 | 4.10E-03 | GFL11 - 3A □□□ 090C22 MDFKA□□ 090-22 60 |
| 2342 | 15 | 1.5 | 114.586 | 5252 | 9325 | 4599 | 9325 | 3501 | 15 | 3.97E-03 | GFL11 - 3A □□□ 090C22 MDFKA□□ 090-22 60 |
| 2639 | 13 | 1.5 | 129.111 | 5917 | 9325 | 5182 | 9325 | 3945 | 13 | 3.97E-03 | GFL11 - 3A □□□ 090C22 MDFKA□□ 090-22 60 |
| 3056 | 11 | 1.3 | 149.144 | 5841 | 9325 | 5841 | 9325 | 3894 | 11 | 3.83E-03 | GFL11 - 3A □□□ 090C22 MDFKA□□ 090-22 60 |
| 3443 | 10.0 | 1.3 | 168.049 | 6581 | 9325 | 6581 | 9325 | 4387 | 10.0 | 3.83E-03 | GFL11 - 3A □□□ 090C22 MDFKA□□ 090-22 60 |
| 3751 | 9.2 | 1.1 | 182.792 | 6349 | 9325 | 6349 | 9325 | 4233 | 9.2 | 3.77E-03 | GFL11 - 3A □□□ 090C22 MDFKA□□ 090-22 60 |
| 4226 | 8.2 | 1.1 | 205.963 | 7154 | 9325 | 7154 | 9325 | 4769 | 8.2 | 3.76E-03 | GFL11 - 3A □□□ 090C22 MDFKA□□ 090-22 60 |
| 1169 | 53 | 2.3 | 65.306 | 3164 | 9326 | 2784 | 9327 | 2891 | 48 | 4.30E-03 | GFL11 - 3A □□□ 090C22 MDFKA□□ 090-22 120 |
| 1317 | 47 | 2.1 | 73.335 | 3553 | 9326 | 3126 | 9327 | 2875 | 42 | 4.38E-03 | GFL11 - 3A □□□ 090C22 MDFKA□□ 090-22 120 |
| 1484 | 42 | 2.1 | 82.631 | 4004 | 9326 | 3522 | 9327 | 3240 | 38 | 4.37E-03 | GFL11 - 3A □□□ 090C22 MDFKA□□ 090-22 120 |

Observe the notes for thermal dimensioning.

Selection tables - Shaft-mounted helical gearboxes

Forced ventilated asynchronous geared servo motors

| M ₂ [Nm] | n _{2 trans} [rpm] | c | i | M _{2 max} short-time on geared motor at | | | | M _{2 Gr} gearbox c=1 n ₁ ≤ 1400 rpm [Nm] | n _{2 therm} [rpm] | J _{GM} referred to motor shaft [kgm ²] | Servo shaft-mounted helical geared motor Dimensions on Page 4-82 |
|------------------------|-------------------------------|-----|---------|---|-------------|----------------------------|-------------|--|-------------------------------|---|---|
| | | | | 8 kHz | | 16 kHz | | | | | |
| | | | | M _{2 max} [Nm] | Type EVS | M _{2 max} [Nm] | Type EVS | | | | |
| 1684 | 37 | 1.8 | 93.540 | 4532 | 9326 | 3987 | 9327 | 3206 | 33 | 4.10E-03 | GFL11 - 3A □□□ 090C22 MDFKA□□ 090-22 120 |
| 1898 | 33 | 1.8 | 105.397 | 5107 | 9326 | 4492 | 9327 | 3613 | 30 | 4.10E-03 | GFL11 - 3A □□□ 090C22 MDFKA□□ 090-22 120 |
| 2068 | 30 | 1.6 | 114.586 | 5252 | 9326 | 4884 | 9327 | 3501 | 27 | 3.97E-03 | GFL11 - 3A □□□ 090C22 MDFKA□□ 090-22 120 |
| 2330 | 27 | 1.6 | 129.111 | 5917 | 9326 | 5503 | 9327 | 3945 | 24 | 3.97E-03 | GFL11 - 3A □□□ 090C22 MDFKA□□ 090-22 120 |
| 2698 | 23 | 1.4 | 149.144 | 5841 | 9326 | 5841 | 9327 | 3894 | 21 | 3.83E-03 | GFL11 - 3A □□□ 090C22 MDFKA□□ 090-22 120 |
| 3040 | 21 | 1.4 | 168.049 | 6581 | 9326 | 6581 | 9327 | 4387 | 19 | 3.83E-03 | GFL11 - 3A □□□ 090C22 MDFKA□□ 090-22 120 |
| 3312 | 19 | 1.2 | 182.792 | 6349 | 9326 | 6349 | 9327 | 4233 | 17 | 3.77E-03 | GFL11 - 3A □□□ 090C22 MDFKA□□ 090-22 120 |
| 3731 | 17 | 1.2 | 205.963 | 7154 | 9326 | 7154 | 9327 | 4769 | 15 | 3.76E-03 | GFL11 - 3A □□□ 090C22 MDFKA□□ 090-22 120 |
| 4077 | 15 | 1.1 | 224.636 | 6785 | 9326 | 6785 | 9327 | 4523 | 14 | 3.75E-03 | GFL11 - 3A □□□ 090C22 MDFKA□□ 090-22 120 |
| 4593 | 14 | 1.1 | 253.111 | 7645 | 9326 | 7645 | 9327 | 5097 | 12 | 3.75E-03 | GFL11 - 3A □□□ 090C22 MDFKA□□ 090-22 120 |
| 4853 | 13 | 1.0 | 267.259 | 7659 | 9326 | 7659 | 9327 | 5106 | 12 | 3.79E-03 | GFL11 - 3A □□□ 090C22 MDFKA□□ 090-22 120 |
| 2259 | 26 | 1.3 | 65.306 | 3127 | 9325 | 3776 | 9326 | 2891 | 26 | 7.90E-03 | GFL11 - 3A □□□ 100C22 MDFKA□□ 100-22 60 |
| 2541 | 23 | 1.1 | 73.335 | 3511 | 9325 | 4240 | 9326 | 2875 | 23 | 7.98E-03 | GFL11 - 3A □□□ 100C22 MDFKA□□ 100-22 60 |
| 2863 | 21 | 1.1 | 82.631 | 3956 | 9325 | 4778 | 9326 | 3240 | 21 | 7.97E-03 | GFL11 - 3A □□□ 100C22 MDFKA□□ 100-22 60 |
| 2242 | 54 | 1.2 | 65.306 | 4219 | 9327 | 3994 | 9328 | 2891 | 37 | 7.90E-03 | GFL11 - 3A □□□ 100C22 MDFKA□□ 100-22 120 |
| 2521 | 48 | 1.1 | 73.335 | 4313 | 9327 | 4313 | 9328 | 2875 | 31 | 7.98E-03 | GFL11 - 3A □□□ 100C22 MDFKA□□ 100-22 120 |
| 2840 | 42 | 1.1 | 82.631 | 4859 | 9327 | 4859 | 9328 | 3240 | 28 | 7.97E-03 | GFL11 - 3A □□□ 100C22 MDFKA□□ 100-22 120 |
| 1085 | 53 | 5.6 | 32.344 | 1572 | 9325 | 1899 | 9326 | 6387 | 53 | 1.25E-02 | GFL14 - 2A □□□ 100C22 MDFKA□□ 100-22 60 |
| 1223 | 47 | 5.6 | 36.444 | 1772 | 9325 | 2139 | 9326 | 7196 | 47 | 1.23E-02 | GFL14 - 2A □□□ 100C22 MDFKA□□ 100-22 60 |
| 1339 | 43 | 5.0 | 39.642 | 1927 | 9325 | 2327 | 9326 | 6916 | 43 | 1.10E-02 | GFL14 - 2A □□□ 100C22 MDFKA□□ 100-22 60 |
| 1509 | 38 | 5.0 | 44.667 | 2171 | 9325 | 2622 | 9326 | 7793 | 38 | 1.09E-02 | GFL14 - 2A □□□ 100C22 MDFKA□□ 100-22 60 |
| 1779 | 33 | 3.9 | 52.067 | 2531 | 9325 | 3056 | 9326 | 7136 | 33 | 9.66E-03 | GFL14 - 2A □□□ 100C22 MDFKA□□ 100-22 60 |
| 2005 | 29 | 3.9 | 58.667 | 2852 | 9325 | 3444 | 9326 | 8041 | 29 | 9.58E-03 | GFL14 - 2A □□□ 100C22 MDFKA□□ 100-22 60 |
| 2174 | 27 | 3.3 | 63.190 | 3072 | 9325 | 3709 | 9326 | 7250 | 27 | 9.00E-03 | GFL14 - 2A □□□ 100C22 MDFKA□□ 100-22 60 |
| 2449 | 24 | 3.3 | 71.200 | 3461 | 9325 | 4179 | 9326 | 8169 | 24 | 8.94E-03 | GFL14 - 2A □□□ 100C22 MDFKA□□ 100-22 60 |
| 2770 | 21 | 2.5 | 79.875 | 3883 | 9325 | 4689 | 9326 | 7015 | 21 | 8.38E-03 | GFL14 - 2A □□□ 100C22 MDFKA□□ 100-22 60 |
| 3121 | 19 | 2.5 | 90.000 | 4375 | 9325 | 5283 | 9326 | 7905 | 19 | 8.35E-03 | GFL14 - 2A □□□ 100C22 MDFKA□□ 100-22 60 |
| 1085 | 109 | 4.8 | 32.344 | 2121 | 9327 | 2008 | 9328 | 6387 | 76 | 1.25E-02 | GFL14 - 2A □□□ 100C22 MDFKA□□ 100-22 120 |
| 1223 | 96 | 4.8 | 36.444 | 2390 | 9327 | 2263 | 9328 | 7196 | 67 | 1.23E-02 | GFL14 - 2A □□□ 100C22 MDFKA□□ 100-22 120 |
| 1338 | 89 | 4.3 | 39.642 | 2600 | 9327 | 2462 | 9328 | 6916 | 62 | 1.10E-02 | GFL14 - 2A □□□ 100C22 MDFKA□□ 100-22 120 |
| 1507 | 79 | 4.3 | 44.667 | 2930 | 9327 | 2774 | 9328 | 7793 | 55 | 1.09E-02 | GFL14 - 2A □□□ 100C22 MDFKA□□ 100-22 120 |
| 1774 | 67 | 3.4 | 52.067 | 3415 | 9327 | 3233 | 9328 | 7136 | 47 | 9.66E-03 | GFL14 - 2A □□□ 100C22 MDFKA□□ 100-22 120 |
| 1999 | 60 | 3.4 | 58.667 | 3848 | 9327 | 3643 | 9328 | 8041 | 42 | 9.58E-03 | GFL14 - 2A □□□ 100C22 MDFKA□□ 100-22 120 |
| 2166 | 56 | 2.8 | 63.190 | 4145 | 9327 | 3924 | 9328 | 7250 | 39 | 9.00E-03 | GFL14 - 2A □□□ 100C22 MDFKA□□ 100-22 120 |

Observe the notes for thermal dimensioning.

Selection tables - Shaft-mounted helical gearboxes

Forced ventilated asynchronous geared servo motors



| M ₂ [Nm] | n _{2 trans} [rpm] | c | i | M _{2 max} short-time on geared motor at | | | | M _{2 Gr} gearbox c=1 n ₁ ≤ 1400 rpm [Nm] | n _{2 therm} [rpm] | J _{GM} referred to motor shaft [kgm ²] | Servo shaft-mounted helical geared motor Dimensions on Page 4-82 |
|------------------------|-------------------------------|------------|----------------|--|-------------|----------------------------|-------------|---|-------------------------------|--|---|
| | | | | 8 kHz | | 16 kHz | | | | | |
| | | | | M _{2 max} [Nm] | Type EVS | M _{2 max} [Nm] | Type EVS | | | | |
| 2433 | 49 | 3.1 | 71.200 | 4670 | 9327 | 4421 | 9328 | 8169 | 34 | 8.94E-03 | GFL14 - 2A □□□ 100C22 MDFKA□□ 100-22 120 |
| 2750 | 44 | 2.4 | 79.875 | 5239 | 9327 | 4960 | 9328 | 7015 | 31 | 8.38E-03 | GFL14 - 2A □□□ 100C22 MDFKA□□ 100-22 120 |
| 3099 | 39 | 2.4 | 90.000 | 5903 | 9327 | 5589 | 9328 | 7905 | 27 | 8.35E-03 | GFL14 - 2A □□□ 100C22 MDFKA□□ 100-22 120 |
| 1387 | 70 | 5.7 | 24.456 | 2470 | 9326 | 3248 | 9328 | 8282 | 70 | 2.63E-02 | GFL14 - 2A □□□ 112C22 MDFKA□□ 112-22 60 |
| 1562 | 62 | 5.7 | 27.556 | 2783 | 9326 | 3660 | 9328 | 9331 | 62 | 2.59E-02 | GFL14 - 2A □□□ 112C22 MDFKA□□ 112-22 60 |
| 1857 | 53 | 4.5 | 32.344 | 3267 | 9326 | 4296 | 9328 | 8734 | 53 | 2.33E-02 | GFL14 - 2A □□□ 112C22 MDFKA□□ 112-22 60 |
| 2092 | 47 | 4.5 | 36.444 | 3681 | 9326 | 4841 | 9328 | 9841 | 47 | 2.31E-02 | GFL14 - 2A □□□ 112C22 MDFKA□□ 112-22 60 |
| 2292 | 43 | 3.9 | 39.642 | 4004 | 9326 | 5265 | 9328 | 9101 | 43 | 2.18E-02 | GFL14 - 2A □□□ 112C22 MDFKA□□ 112-22 60 |
| 2583 | 38 | 3.9 | 44.667 | 4511 | 9326 | 5933 | 9328 | 10254 | 38 | 2.17E-02 | GFL14 - 2A □□□ 112C22 MDFKA□□ 112-22 60 |
| 3037 | 33 | 3.0 | 52.067 | 5259 | 9326 | 6916 | 9328 | 9389 | 33 | 2.05E-02 | GFL14 - 2A □□□ 112C22 MDFKA□□ 112-22 60 |
| 3422 | 29 | 3.0 | 58.667 | 5925 | 9326 | 7792 | 9328 | 10579 | 29 | 2.04E-02 | GFL14 - 2A □□□ 112C22 MDFKA□□ 112-22 60 |
| 3705 | 27 | 2.5 | 63.190 | 6382 | 9326 | 8393 | 9328 | 9540 | 27 | 1.98E-02 | GFL14 - 2A □□□ 112C22 MDFKA□□ 112-22 60 |
| 4176 | 24 | 2.5 | 71.200 | 7191 | 9326 | 9457 | 9328 | 10639 | 24 | 1.97E-02 | GFL14 - 2A □□□ 112C22 MDFKA□□ 112-22 60 |
| 1014 | 176 | 5.6 | 19.948 | 2084 | 9328 | 2586 | 9330 | 7873 | 101 | 2.91E-02 | GFL14 - 2A □□□ 112C22 MDFKA□□ 112-22 120 |
| 1143 | 157 | 5.6 | 22.476 | 2349 | 9328 | 2913 | 9330 | 8870 | 90 | 2.85E-02 | GFL14 - 2A □□□ 112C22 MDFKA□□ 112-22 120 |
| 1245 | 144 | 5.4 | 24.456 | 2555 | 9328 | 3170 | 9330 | 8282 | 82 | 2.63E-02 | GFL14 - 2A □□□ 112C22 MDFKA□□ 112-22 120 |
| 1403 | 128 | 5.4 | 27.556 | 2879 | 9328 | 3572 | 9330 | 9331 | 73 | 2.59E-02 | GFL14 - 2A □□□ 112C22 MDFKA□□ 112-22 120 |
| 1667 | 109 | 4.3 | 32.344 | 3380 | 9328 | 4193 | 9330 | 8734 | 62 | 2.33E-02 | GFL14 - 2A □□□ 112C22 MDFKA□□ 112-22 120 |
| 1878 | 97 | 4.3 | 36.444 | 3808 | 9328 | 4724 | 9330 | 9841 | 55 | 2.31E-02 | GFL14 - 2A □□□ 112C22 MDFKA□□ 112-22 120 |
| 2057 | 89 | 3.7 | 39.642 | 4142 | 9328 | 5138 | 9330 | 9101 | 51 | 2.18E-02 | GFL14 - 2A □□□ 112C22 MDFKA□□ 112-22 120 |
| 2318 | 79 | 3.7 | 44.667 | 4667 | 9328 | 5790 | 9330 | 10254 | 45 | 2.17E-02 | GFL14 - 2A □□□ 112C22 MDFKA□□ 112-22 120 |
| 2724 | 68 | 2.9 | 52.067 | 5441 | 9328 | 6749 | 9330 | 9389 | 39 | 2.05E-02 | GFL14 - 2A □□□ 112C22 MDFKA□□ 112-22 120 |
| 3070 | 60 | 2.9 | 58.667 | 6130 | 9328 | 7605 | 9330 | 10579 | 34 | 2.04E-02 | GFL14 - 2A □□□ 112C22 MDFKA□□ 112-22 120 |
| 3323 | 56 | 2.4 | 63.190 | 6603 | 9328 | 8191 | 9330 | 9540 | 32 | 1.98E-02 | GFL14 - 2A □□□ 112C22 MDFKA□□ 112-22 120 |
| 3735 | 49 | 2.7 | 71.200 | 7440 | 9328 | 9229 | 9330 | 10639 | 28 | 1.97E-02 | GFL14 - 2A □□□ 112C22 MDFKA□□ 112-22 120 |
| 1159 | 16 | 4.5 | 104.889 | 2967 | 9324 | 2155 | 9324 | 5375 | 16 | 2.85E-03 | GFL14 - 3A □□□ 080C22 MDFKA□□ 080-22 60 |
| 1261 | 14 | 4.5 | 114.126 | 3228 | 9324 | 2345 | 9324 | 5848 | 14 | 2.75E-03 | GFL14 - 3A □□□ 080C22 MDFKA□□ 080-22 60 |
| 1421 | 13 | 4.5 | 128.593 | 3638 | 9324 | 2642 | 9324 | 6589 | 13 | 2.73E-03 | GFL14 - 3A □□□ 080C22 MDFKA□□ 080-22 60 |
| 1738 | 10 | 3.8 | 156.148 | 4417 | 9324 | 3208 | 9324 | 6830 | 10 | 2.51E-03 | GFL14 - 3A □□□ 080C22 MDFKA□□ 080-22 60 |
| 1883 | 9.6 | 4.3 | 170.074 | 4811 | 9324 | 3495 | 9324 | 8408 | 9.6 | 2.62E-03 | GFL14 - 3A □□□ 080C22 MDFKA□□ 080-22 60 |
| 2268 | 8.1 | 3.1 | 202.074 | 5716 | 9324 | 4152 | 9324 | 7076 | 8.1 | 2.29E-03 | GFL14 - 3A □□□ 080C22 MDFKA□□ 080-22 60 |
| 2512 | 7.3 | 3.4 | 224.636 | 6355 | 9324 | 4616 | 9324 | 8739 | 7.3 | 2.39E-03 | GFL14 - 3A □□□ 080C22 MDFKA□□ 080-22 60 |
| 2830 | 6.5 | 3.4 | 253.111 | 7160 | 9324 | 5201 | 9324 | 9846 | 6.5 | 2.39E-03 | GFL14 - 3A □□□ 080C22 MDFKA□□ 080-22 60 |
| 3071 | 6.0 | 3.1 | 273.778 | 7745 | 9324 | 5625 | 9324 | 9753 | 6.0 | 2.50E-03 | GFL14 - 3A □□□ 080C22 MDFKA□□ 080-22 60 |

Observe the notes for thermal dimensioning.

Selection tables - Shaft-mounted helical gearboxes

Forced ventilated asynchronous geared servo motors

| M ₂ [Nm] | n _{2 trans} [rpm] | c | i | M _{2 max} short-time on geared motor at | | | | M _{2 Gr} gearbox c=1 n ₁ ≤1400 rpm [Nm] | n _{2 therm} [rpm] | J _{GM} referred to motor shaft [kgm ²] | Servo shaft-mounted helical geared motor Dimensions on Page 4-82 |
|------------------------|-------------------------------|-----|---------|---|-------------|----------------------------|-------------|---|-------------------------------|---|---|
| | | | | 8 kHz | | 16 kHz | | | | | |
| | | | | M _{2 max} [Nm] | Type EVS | M _{2 max} [Nm] | Type EVS | | | | |
| 3742 | 4.9 | 2.8 | 332.444 | 9404 | 9324 | 6831 | 9324 | 10550 | 4.9 | 2.35E-03 | GFL14 - 3A □□□ 080C22 MDFKA□□ 080-22 60 |
| 3980 | 4.6 | 2.6 | 352.811 | 9980 | 9324 | 7249 | 9324 | 10343 | 4.6 | 2.14E-03 | GFL14 - 3A □□□ 080C22 MDFKA□□ 080-22 60 |
| 4485 | 4.1 | 2.5 | 397.533 | 11245 | 9324 | 8168 | 9324 | 11615 | 4.1 | 2.13E-03 | GFL14 - 3A □□□ 080C22 MDFKA□□ 080-22 60 |
| 4875 | 3.8 | 2.1 | 430.222 | 12170 | 9324 | 8840 | 9324 | 10560 | 3.8 | 2.19E-03 | GFL14 - 3A □□□ 080C22 MDFKA□□ 080-22 60 |
| 5940 | 3.1 | 1.8 | 522.133 | 14770 | 9324 | 10728 | 9324 | 10560 | 3.1 | 2.12E-03 | GFL14 - 3A □□□ 080C22 MDFKA□□ 080-22 60 |
| 6422 | 2.9 | 1.4 | 562.391 | 13555 | 9324 | 11555 | 9324 | 9036 | 2.9 | 2.11E-03 | GFL14 - 3A □□□ 080C22 MDFKA□□ 080-22 60 |
| 7240 | 2.6 | 1.4 | 633.680 | 14716 | 9324 | 13020 | 9324 | 9811 | 2.6 | 2.11E-03 | GFL14 - 3A □□□ 080C22 MDFKA□□ 080-22 60 |
| 8143 | 2.3 | 1.1 | 710.888 | 13555 | 9324 | 13555 | 9324 | 9036 | 2.3 | 2.05E-03 | GFL14 - 3A □□□ 080C22 MDFKA□□ 080-22 60 |
| 9179 | 2.0 | 1.1 | 801.000 | 14716 | 9324 | 14716 | 9324 | 9811 | 2.0 | 2.05E-03 | GFL14 - 3A □□□ 080C22 MDFKA□□ 080-22 60 |
| 1040 | 33 | 4.7 | 104.889 | 2937 | 9325 | 2125 | 9325 | 5375 | 33 | 2.85E-03 | GFL14 - 3A □□□ 080C22 MDFKA□□ 080-22 120 |
| 1132 | 30 | 4.7 | 114.126 | 3196 | 9325 | 2312 | 9325 | 5848 | 30 | 2.75E-03 | GFL14 - 3A □□□ 080C22 MDFKA□□ 080-22 120 |
| 1275 | 27 | 4.7 | 128.593 | 3601 | 9325 | 2605 | 9325 | 6589 | 27 | 2.73E-03 | GFL14 - 3A □□□ 080C22 MDFKA□□ 080-22 120 |
| 1560 | 22 | 4.0 | 156.148 | 4372 | 9325 | 3164 | 9325 | 6830 | 22 | 2.51E-03 | GFL14 - 3A □□□ 080C22 MDFKA□□ 080-22 120 |
| 1690 | 20 | 4.6 | 170.074 | 4762 | 9325 | 3446 | 9325 | 8408 | 20 | 2.62E-03 | GFL14 - 3A □□□ 080C22 MDFKA□□ 080-22 120 |
| 2037 | 17 | 3.2 | 202.074 | 5658 | 9325 | 4094 | 9325 | 7076 | 17 | 2.29E-03 | GFL14 - 3A □□□ 080C22 MDFKA□□ 080-22 120 |
| 2256 | 15 | 3.6 | 224.636 | 6290 | 9325 | 4551 | 9325 | 8739 | 15 | 2.39E-03 | GFL14 - 3A □□□ 080C22 MDFKA□□ 080-22 120 |
| 2541 | 14 | 3.6 | 253.111 | 7087 | 9325 | 5128 | 9325 | 9846 | 14 | 2.39E-03 | GFL14 - 3A □□□ 080C22 MDFKA□□ 080-22 120 |
| 2758 | 13 | 3.3 | 273.778 | 7666 | 9325 | 5547 | 9325 | 9753 | 13 | 2.50E-03 | GFL14 - 3A □□□ 080C22 MDFKA□□ 080-22 120 |
| 3362 | 10 | 2.9 | 332.444 | 9309 | 9325 | 6735 | 9325 | 10550 | 10 | 2.35E-03 | GFL14 - 3A □□□ 080C22 MDFKA□□ 080-22 120 |
| 3576 | 9.8 | 2.7 | 352.811 | 9879 | 9325 | 7148 | 9325 | 10343 | 9.8 | 2.14E-03 | GFL14 - 3A □□□ 080C22 MDFKA□□ 080-22 120 |
| 4030 | 8.7 | 2.7 | 397.533 | 11131 | 9325 | 8054 | 9325 | 11615 | 8.7 | 2.13E-03 | GFL14 - 3A □□□ 080C22 MDFKA□□ 080-22 120 |
| 4381 | 8.0 | 2.3 | 430.222 | 12047 | 9325 | 8716 | 9325 | 10560 | 8.0 | 2.19E-03 | GFL14 - 3A □□□ 080C22 MDFKA□□ 080-22 120 |
| 5340 | 6.6 | 1.9 | 522.133 | 14620 | 9325 | 10579 | 9325 | 10560 | 6.6 | 2.12E-03 | GFL14 - 3A □□□ 080C22 MDFKA□□ 080-22 120 |
| 5775 | 6.1 | 1.5 | 562.391 | 13555 | 9325 | 11394 | 9325 | 9036 | 6.1 | 2.11E-03 | GFL14 - 3A □□□ 080C22 MDFKA□□ 080-22 120 |
| 6511 | 5.5 | 1.4 | 633.680 | 14716 | 9325 | 12839 | 9325 | 9811 | 5.5 | 2.11E-03 | GFL14 - 3A □□□ 080C22 MDFKA□□ 080-22 120 |
| 7324 | 4.9 | 1.2 | 710.888 | 13555 | 9325 | 13555 | 9325 | 9036 | 4.9 | 2.05E-03 | GFL14 - 3A □□□ 080C22 MDFKA□□ 080-22 120 |
| 8256 | 4.3 | 1.1 | 801.000 | 14716 | 9325 | 14716 | 9325 | 9811 | 4.3 | 2.05E-03 | GFL14 - 3A □□□ 080C22 MDFKA□□ 080-22 120 |
| 1276 | 26 | 4.2 | 64.296 | 3515 | 9325 | 2581 | 9325 | 5610 | 26 | 6.23E-03 | GFL14 - 3A □□□ 090C22 MDFKA□□ 090-22 60 |
| 1370 | 24 | 3.8 | 68.708 | 3756 | 9325 | 2758 | 9325 | 5416 | 24 | 5.59E-03 | GFL14 - 3A □□□ 090C22 MDFKA□□ 090-22 60 |
| 1543 | 22 | 3.8 | 77.418 | 4232 | 9325 | 3107 | 9325 | 6103 | 22 | 5.54E-03 | GFL14 - 3A □□□ 090C22 MDFKA□□ 090-22 60 |
| 1700 | 20 | 3.6 | 85.037 | 4649 | 9325 | 3413 | 9325 | 6276 | 20 | 5.76E-03 | GFL14 - 3A □□□ 090C22 MDFKA□□ 090-22 60 |
| 2112 | 16 | 2.9 | 104.889 | 5734 | 9325 | 4210 | 9325 | 6292 | 16 | 4.53E-03 | GFL14 - 3A □□□ 090C22 MDFKA□□ 090-22 60 |
| 2299 | 15 | 2.9 | 114.126 | 6239 | 9325 | 4581 | 9325 | 6719 | 15 | 4.43E-03 | GFL14 - 3A □□□ 090C22 MDFKA□□ 090-22 60 |
| 2591 | 13 | 2.9 | 128.593 | 7029 | 9325 | 5162 | 9325 | 7571 | 13 | 4.41E-03 | GFL14 - 3A □□□ 090C22 MDFKA□□ 090-22 60 |

Observe the notes for thermal dimensioning.

Selection tables - Shaft-mounted helical gearboxes

Forced ventilated asynchronous geared servo motors



| M ₂ [Nm] | n _{2 trans} [rpm] | c | i | M _{2 max} short-time on geared motor at | | | | M _{2 Gr} gearbox c=1 n ₁ ≤ 1400 rpm [Nm] | n _{2 therm} [rpm] | J _{GM} referred to motor shaft [kgm ²] | Servo shaft-mounted helical geared motor Dimensions on Page 4-82 |
|------------------------|-------------------------------|-----|---------|---|-------------|----------------------------|-------------|--|-------------------------------|---|---|
| | | | | 8 kHz | | 16 kHz | | | | | |
| | | | | M _{2 max} [Nm] | Type EVS | M _{2 max} [Nm] | Type EVS | | | | |
| 2765 | 12 | 2.6 | 136.889 | 7483 | 9325 | 5495 | 9325 | 7359 | 12 | 5.28E-03 | GFL14 - 3A □□□ 090C22 MDFKA□□ 090-22 60 |
| 3158 | 11 | 2.5 | 156.148 | 8536 | 9325 | 6268 | 9325 | 7992 | 11 | 4.19E-03 | GFL14 - 3A □□□ 090C22 MDFKA□□ 090-22 60 |
| 3443 | 9.9 | 2.4 | 170.074 | 9297 | 9325 | 6827 | 9325 | 8408 | 9.9 | 4.30E-03 | GFL14 - 3A □□□ 090C22 MDFKA□□ 090-22 60 |
| 4109 | 8.3 | 2.0 | 202.074 | 11046 | 9325 | 8111 | 9325 | 8281 | 8.3 | 3.97E-03 | GFL14 - 3A □□□ 090C22 MDFKA□□ 090-22 60 |
| 4572 | 7.5 | 1.9 | 224.636 | 12280 | 9325 | 9017 | 9325 | 8739 | 7.5 | 4.07E-03 | GFL14 - 3A □□□ 090C22 MDFKA□□ 090-22 60 |
| 5152 | 6.6 | 1.9 | 253.111 | 13836 | 9325 | 10159 | 9325 | 9846 | 6.6 | 4.07E-03 | GFL14 - 3A □□□ 090C22 MDFKA□□ 090-22 60 |
| 5582 | 6.1 | 1.7 | 273.778 | 14629 | 9325 | 10989 | 9325 | 9753 | 6.1 | 4.18E-03 | GFL14 - 3A □□□ 090C22 MDFKA□□ 090-22 60 |
| 6792 | 5.1 | 1.5 | 332.444 | 15825 | 9325 | 13344 | 9325 | 10550 | 5.1 | 4.03E-03 | GFL14 - 3A □□□ 090C22 MDFKA□□ 090-22 60 |
| 7216 | 4.8 | 1.4 | 352.811 | 15583 | 9325 | 14161 | 9325 | 10389 | 4.8 | 3.82E-03 | GFL14 - 3A □□□ 090C22 MDFKA□□ 090-22 60 |
| 8132 | 4.2 | 1.4 | 397.533 | 17422 | 9325 | 15956 | 9325 | 11615 | 4.2 | 3.81E-03 | GFL14 - 3A □□□ 090C22 MDFKA□□ 090-22 60 |
| 8822 | 3.9 | 1.2 | 430.222 | 15840 | 9325 | 15840 | 9325 | 10560 | 3.9 | 3.87E-03 | GFL14 - 3A □□□ 090C22 MDFKA□□ 090-22 60 |
| 1129 | 54 | 4.1 | 64.296 | 3115 | 9326 | 2741 | 9327 | 5610 | 48 | 6.23E-03 | GFL14 - 3A □□□ 090C22 MDFKA□□ 090-22 120 |
| 1207 | 51 | 4.1 | 68.708 | 3329 | 9326 | 2929 | 9327 | 5416 | 45 | 5.59E-03 | GFL14 - 3A □□□ 090C22 MDFKA□□ 090-22 120 |
| 1360 | 45 | 4.1 | 77.418 | 3751 | 9326 | 3300 | 9327 | 6103 | 40 | 5.54E-03 | GFL14 - 3A □□□ 090C22 MDFKA□□ 090-22 120 |
| 1498 | 41 | 3.9 | 85.037 | 4120 | 9326 | 3625 | 9327 | 6276 | 36 | 5.76E-03 | GFL14 - 3A □□□ 090C22 MDFKA□□ 090-22 120 |
| 1862 | 33 | 3.1 | 104.889 | 5082 | 9326 | 4471 | 9327 | 6292 | 30 | 4.53E-03 | GFL14 - 3A □□□ 090C22 MDFKA□□ 090-22 120 |
| 2027 | 30 | 3.1 | 114.126 | 5530 | 9326 | 4864 | 9327 | 6719 | 27 | 4.43E-03 | GFL14 - 3A □□□ 090C22 MDFKA□□ 090-22 120 |
| 2284 | 27 | 3.1 | 128.593 | 6231 | 9326 | 5481 | 9327 | 7571 | 24 | 4.41E-03 | GFL14 - 3A □□□ 090C22 MDFKA□□ 090-22 120 |
| 2438 | 25 | 2.8 | 136.889 | 6633 | 9326 | 5835 | 9327 | 7359 | 21 | 5.28E-03 | GFL14 - 3A □□□ 090C22 MDFKA□□ 090-22 120 |
| 2785 | 22 | 2.7 | 156.148 | 7566 | 9326 | 6656 | 9327 | 7992 | 20 | 4.19E-03 | GFL14 - 3A □□□ 090C22 MDFKA□□ 090-22 120 |
| 3037 | 20 | 2.6 | 170.074 | 8241 | 9326 | 7249 | 9327 | 8408 | 18 | 4.30E-03 | GFL14 - 3A □□□ 090C22 MDFKA□□ 090-22 120 |
| 3625 | 17 | 2.1 | 202.074 | 9791 | 9326 | 8613 | 9327 | 8281 | 15 | 3.97E-03 | GFL14 - 3A □□□ 090C22 MDFKA□□ 090-22 120 |
| 4035 | 15 | 2.0 | 224.636 | 10884 | 9326 | 9575 | 9327 | 8739 | 14 | 4.07E-03 | GFL14 - 3A □□□ 090C22 MDFKA□□ 090-22 120 |
| 4546 | 14 | 2.0 | 253.111 | 12264 | 9326 | 10788 | 9327 | 9846 | 12 | 4.07E-03 | GFL14 - 3A □□□ 090C22 MDFKA□□ 090-22 120 |
| 4926 | 13 | 1.9 | 273.778 | 13265 | 9326 | 11669 | 9327 | 9753 | 11 | 4.18E-03 | GFL14 - 3A □□□ 090C22 MDFKA□□ 090-22 120 |
| 5995 | 10 | 1.7 | 332.444 | 15825 | 9326 | 14170 | 9327 | 10550 | 9.4 | 4.03E-03 | GFL14 - 3A □□□ 090C22 MDFKA□□ 090-22 120 |
| 6370 | 9.9 | 1.5 | 352.811 | 15583 | 9326 | 15038 | 9327 | 10389 | 8.8 | 3.82E-03 | GFL14 - 3A □□□ 090C22 MDFKA□□ 090-22 120 |
| 7178 | 8.8 | 1.5 | 397.533 | 17422 | 9326 | 16944 | 9327 | 11615 | 7.8 | 3.81E-03 | GFL14 - 3A □□□ 090C22 MDFKA□□ 090-22 120 |
| 7788 | 8.1 | 1.3 | 430.222 | 15840 | 9326 | 15840 | 9327 | 10560 | 7.2 | 3.87E-03 | GFL14 - 3A □□□ 090C22 MDFKA□□ 090-22 120 |
| 9475 | 6.7 | 1.1 | 522.133 | 15840 | 9326 | 15840 | 9327 | 10560 | 6.0 | 3.80E-03 | GFL14 - 3A □□□ 090C22 MDFKA□□ 090-22 120 |
| 2195 | 26 | 2.5 | 64.296 | 3079 | 9325 | 3718 | 9326 | 5610 | 26 | 9.83E-03 | GFL14 - 3A □□□ 100C22 MDFKA□□ 100-22 60 |
| 2352 | 25 | 2.3 | 68.708 | 3290 | 9325 | 3973 | 9326 | 5416 | 25 | 9.19E-03 | GFL14 - 3A □□□ 100C22 MDFKA□□ 100-22 60 |
| 2650 | 22 | 2.3 | 77.418 | 3707 | 9325 | 4476 | 9326 | 6103 | 22 | 9.14E-03 | GFL14 - 3A □□□ 100C22 MDFKA□□ 100-22 60 |
| 2915 | 20 | 2.1 | 85.037 | 4072 | 9325 | 4917 | 9326 | 6276 | 20 | 9.36E-03 | GFL14 - 3A □□□ 100C22 MDFKA□□ 100-22 60 |

Observe the notes for thermal dimensioning.

Selection tables - Shaft-mounted helical gearboxes

Forced ventilated asynchronous geared servo motors

| M ₂ [Nm] | n ₂ trans [rpm] | c | i | M ₂ max short-time on geared motor at | | | | M ₂ Gr gearbox c=1 n ₁ ≤ 1400 rpm [Nm] | n ₂ therm [rpm] | J _{GM} referred to motor shaft [kgm ²] | Servo shaft-mounted helical geared motor Dimensions on Page 4-82 |
|------------------------|-------------------------------|-----|---------|---|-------------|----------------------------|-------------|--|-------------------------------|---|---|
| | | | | 8 kHz | | 16 kHz | | | | | |
| | | | | M ₂ max [Nm] | Type EVS | M ₂ max [Nm] | Type EVS | | | | |
| 3605 | 16 | 1.9 | 104.889 | 5022 | 9325 | 6065 | 9326 | 6888 | 16 | 8.13E-03 | GFL14 - 3A □□□ 100C22 MDFKA□□ 100-22 60 |
| 3930 | 15 | 1.7 | 114.126 | 5464 | 9325 | 6599 | 9326 | 6719 | 15 | 8.03E-03 | GFL14 - 3A □□□ 100C22 MDFKA□□ 100-22 60 |
| 4428 | 13 | 1.7 | 128.593 | 6157 | 9325 | 7435 | 9326 | 7571 | 13 | 8.01E-03 | GFL14 - 3A □□□ 100C22 MDFKA□□ 100-22 60 |
| 4721 | 12 | 1.6 | 136.889 | 6554 | 9325 | 7915 | 9326 | 7359 | 12 | 8.88E-03 | GFL14 - 3A □□□ 100C22 MDFKA□□ 100-22 60 |
| 5388 | 11 | 1.5 | 156.148 | 7476 | 9325 | 9028 | 9326 | 8227 | 11 | 7.79E-03 | GFL14 - 3A □□□ 100C22 MDFKA□□ 100-22 60 |
| 5874 | 10.0 | 1.4 | 170.074 | 8143 | 9325 | 9833 | 9326 | 8408 | 10.0 | 7.90E-03 | GFL14 - 3A □□□ 100C22 MDFKA□□ 100-22 60 |
| 7783 | 7.6 | 1.1 | 224.636 | 10755 | 9325 | 12988 | 9326 | 8739 | 7.6 | 7.67E-03 | GFL14 - 3A □□□ 100C22 MDFKA□□ 100-22 60 |
| 8769 | 6.7 | 1.1 | 253.111 | 12119 | 9325 | 14634 | 9326 | 9846 | 6.7 | 7.67E-03 | GFL14 - 3A □□□ 100C22 MDFKA□□ 100-22 60 |
| 9495 | 6.2 | 1.0 | 273.778 | 13108 | 9325 | 14629 | 9326 | 9753 | 6.2 | 7.78E-03 | GFL14 - 3A □□□ 100C22 MDFKA□□ 100-22 60 |
| 2185 | 55 | 2.2 | 64.296 | 4154 | 9327 | 3933 | 9328 | 5610 | 38 | 9.83E-03 | GFL14 - 3A □□□ 100C22 MDFKA□□ 100-22 120 |
| 2335 | 51 | 2.2 | 68.708 | 4439 | 9327 | 4202 | 9328 | 5416 | 36 | 9.19E-03 | GFL14 - 3A □□□ 100C22 MDFKA□□ 100-22 120 |
| 2631 | 45 | 2.2 | 77.418 | 5002 | 9327 | 4735 | 9328 | 6103 | 32 | 9.14E-03 | GFL14 - 3A □□□ 100C22 MDFKA□□ 100-22 120 |
| 2894 | 41 | 2.0 | 85.037 | 5494 | 9327 | 5201 | 9328 | 6276 | 29 | 9.36E-03 | GFL14 - 3A □□□ 100C22 MDFKA□□ 100-22 120 |
| 3578 | 33 | 1.8 | 104.889 | 6776 | 9327 | 6415 | 9328 | 6888 | 23 | 8.13E-03 | GFL14 - 3A □□□ 100C22 MDFKA□□ 100-22 120 |
| 3901 | 31 | 1.6 | 114.126 | 7373 | 9327 | 6980 | 9328 | 6719 | 21 | 8.03E-03 | GFL14 - 3A □□□ 100C22 MDFKA□□ 100-22 120 |
| 4395 | 27 | 1.6 | 128.593 | 8308 | 9327 | 7865 | 9328 | 7571 | 19 | 8.01E-03 | GFL14 - 3A □□□ 100C22 MDFKA□□ 100-22 120 |
| 4686 | 26 | 1.5 | 136.889 | 8844 | 9327 | 8373 | 9328 | 7359 | 16 | 8.88E-03 | GFL14 - 3A □□□ 100C22 MDFKA□□ 100-22 120 |
| 5347 | 22 | 1.5 | 156.148 | 10088 | 9327 | 9551 | 9328 | 8227 | 16 | 7.79E-03 | GFL14 - 3A □□□ 100C22 MDFKA□□ 100-22 120 |
| 5829 | 21 | 1.4 | 170.074 | 10987 | 9327 | 10402 | 9328 | 8408 | 14 | 7.90E-03 | GFL14 - 3A □□□ 100C22 MDFKA□□ 100-22 120 |
| 7723 | 16 | 1.1 | 224.636 | 13108 | 9327 | 13108 | 9328 | 8739 | 11 | 7.67E-03 | GFL14 - 3A □□□ 100C22 MDFKA□□ 100-22 120 |
| 8701 | 14 | 1.1 | 253.111 | 14770 | 9327 | 14770 | 9328 | 9846 | 9.7 | 7.67E-03 | GFL14 - 3A □□□ 100C22 MDFKA□□ 100-22 120 |
| 3754 | 27 | 1.5 | 64.296 | 6397 | 9326 | 8412 | 9328 | 5610 | 27 | 2.06E-02 | GFL14 - 3A □□□ 112C22 MDFKA□□ 112-22 60 |
| 4017 | 25 | 1.3 | 68.708 | 6836 | 9326 | 8124 | 9328 | 5416 | 25 | 2.00E-02 | GFL14 - 3A □□□ 112C22 MDFKA□□ 112-22 60 |
| 4526 | 22 | 1.3 | 77.418 | 7702 | 9326 | 9154 | 9328 | 6103 | 22 | 1.99E-02 | GFL14 - 3A □□□ 112C22 MDFKA□□ 112-22 60 |
| 4976 | 20 | 1.3 | 85.037 | 8460 | 9326 | 9414 | 9328 | 6276 | 20 | 2.02E-02 | GFL14 - 3A □□□ 112C22 MDFKA□□ 112-22 60 |
| 3365 | 55 | 1.4 | 64.296 | 6618 | 9328 | 8209 | 9330 | 5610 | 31 | 2.06E-02 | GFL14 - 3A □□□ 112C22 MDFKA□□ 112-22 120 |
| 3596 | 51 | 1.4 | 68.708 | 7072 | 9328 | 8124 | 9330 | 5416 | 29 | 2.00E-02 | GFL14 - 3A □□□ 112C22 MDFKA□□ 112-22 120 |
| 4051 | 45 | 1.4 | 77.418 | 7968 | 9328 | 9154 | 9330 | 6103 | 26 | 1.99E-02 | GFL14 - 3A □□□ 112C22 MDFKA□□ 112-22 120 |
| 4454 | 41 | 1.3 | 85.037 | 8753 | 9328 | 9414 | 9330 | 6276 | 24 | 2.02E-02 | GFL14 - 3A □□□ 112C22 MDFKA□□ 112-22 120 |

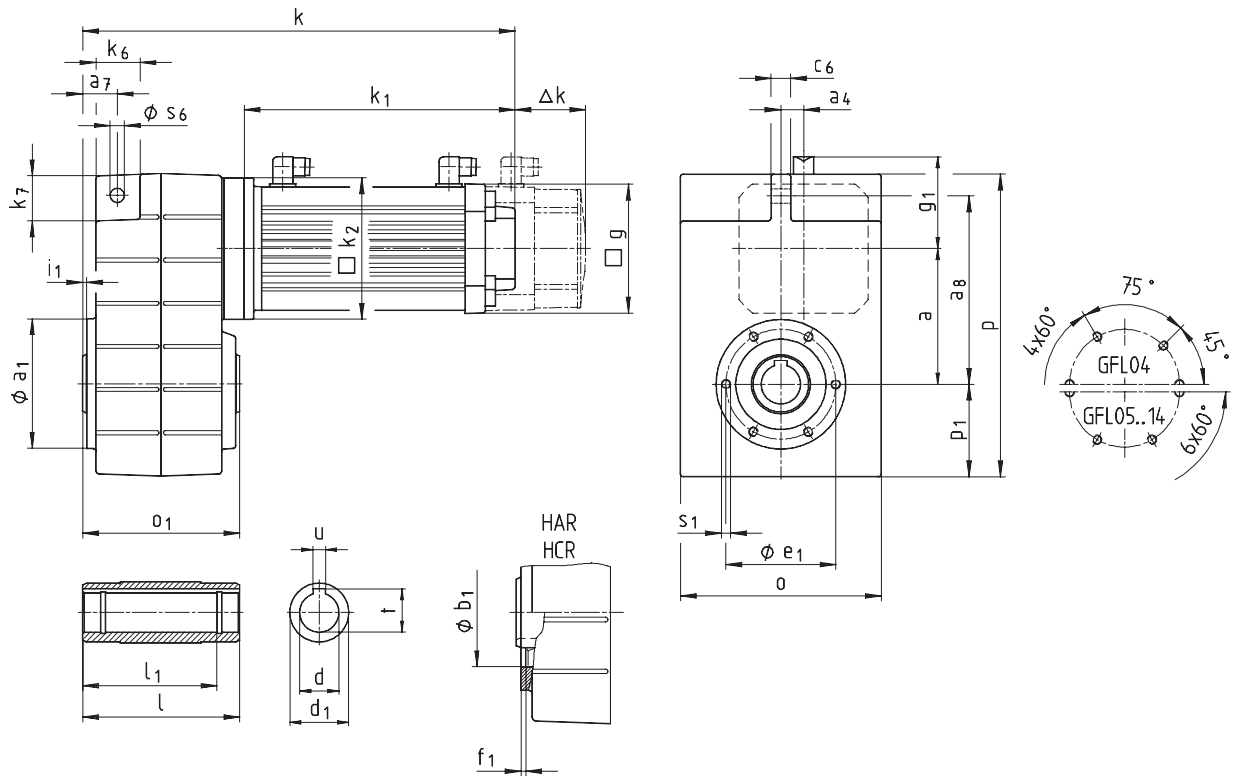
Observe the notes for thermal dimensioning.



Dimensions - Shaft-mounted helical gearboxes

Geared servo motors with resolver

GFL□□ - 2 $\frac{A}{S}$ H□R



Dimensions - Shaft-mounted helical gearboxes

Geared servo motors with resolver



| Geared servo motor | | S (synchronous servo motors) | | | | | A (asynchronous servo motors) | | | | | | | | | | | | |
|--------------------|-------------------------------------|------------------------------|-----|----------------|-------|----------------|-------------------------------|-----|-----|-----|-----|-----|-----|-----|-----|-----|-----|--|--|
| GFL□□ - 2 A S HOR | | 056 | | 071 | | | 056 | 071 | 080 | 090 | 100 | 112 | | | | | | | |
| | | C23 | C33 | C03 | C13 | C33 | C22 | C22 | C22 | C22 | C22 | C22 | | | | | | | |
| Motor | g | 102 | 102 | 131 | 131 | 131 | 102 | 131 | 142 | 165 | 192 | 214 | | | | | | | |
| | g ₁ | 90 | 90 | 102 | 102 | 102 | 90 | 102 | 109 | 118 | 136 | 147 | | | | | | | |
| | k ₂ | 145 | 145 | 145 | 145 | 145 | 145 | 145 | 180 | 180 | 222 | 265 | | | | | | | |
| | k ₁ naturally ventilated | 207 | 242 | 215 | 250 | 285 | 258 | 267 | 307 | 346 | 408 | 479 | | | | | | | |
| | Δk** forced ventilated+brake | 27 | 27 | 35 | 35 | 35 | 25 | 35 | 33 | 35 | 38 | 42 | | | | | | | |
| | forced ventilated | - | - | 68 | 68 | 68 | - | 68 | 62 | 89 | 97 | 96 | | | | | | | |
| | forced ventilated+brake | - | - | 103 | 103 | 103 | - | 103 | 95 | 124 | 135 | 138 | | | | | | | |
| Gearbox size | Gearbox | | | | | | Overall length | | | | | | | | | | | | |
| | o* | o ₁ | p* | p ₁ | a | a ₄ | k | | | | | | | | | | | | |
| 04 | 148 | 115 | 214 | 69 | 90.5 | 12.5 | 336 | 371 | 345 | 380 | 415 | 388 | 396 | | | | | | |
| 05 | 165 | 140 | 252 | 78 | 112.5 | 18.5 | 358 | 393 | 366 | 401 | 436 | 409 | 418 | 468 | | | | | |
| 06 | 206 | 160 | 315 | 98 | 140 | 22 | 371 | 406 | 379 | 414 | 449 | 422 | 431 | 481 | 520 | | | | |
| 07 | 256 | 200 | 386 | 118 | 173 | 29 | 404 | 439 | 412 | 447 | 482 | 455 | 464 | 514 | 553 | 621 | 700 | | |
| 09 | 318 | 240 | 486 | 149 | 220 | 37.5 | | | | | | | | 548 | 587 | 655 | 734 | | |
| 11 | 395 | 290 | 600 | 181 | 276.5 | 50 | | | | | | | | 589 | 628 | 696 | 775 | | |
| 14 | 490 | 350 | 740 | 228 | 339 | 65 | | | | | | | | | | 741 | 820 | | |

| Gearbox size | Hollow shaft | | | | | | Pitch circle | | | | | | Torque plate | | | | | |
|--------------|--------------|-----|----------------|----------------|----------|--------------|----------------|----------------------|----------------|----------------|----------------|----------------|----------------|----------------|----------------|----------------|----------------|----------------|
| | d H7 | l | d ₁ | l ₁ | u JS9 | t +0.2 | a ₁ | b ₁ H7 | e ₁ | f ₁ | i ₁ | s ₁ | a ₇ | a ₈ | c ₆ | s ₆ | k ₆ | k ₇ |
| 04 | 25 35 | 115 | 45 | 100 | 8 8 | 28.3 33.3 | 110 | 75 | 90 | 3 | 2.5 | M6x12 | 22.5 | 128 | 14 | 12.5 | 32 | 35 |
| 05 | 30 35 | 140 | 50 | 124 | 8 10 | 33.3 38.3 | 118 | 80 | 100 | 4 | 4 | M8x15 | 29 | 155 | 16 | 14 | 35 | 38 |
| 06 | 40 45 | 160 | 65 | 140 | 12 14 | 43.3 48.8 | 140 | 100 | 120 | 4 | 5 | M10x16 | 35 | 195 | 20 | 14 | 46 | 46 |
| 07 | 50 55 | 200 | 75 | 175 | 14 16 | 53.8 59.3 | 165 | 115 | 140 | 5 | 5 | M12x18 | 44 | 240 | 25 | 18 | 56 | 56 |
| 09 | 60 70 | 240 | 95 | 210 | 18 20 | 64.4 74.9 | 205 | 145 | 175 | 6 | 5 | M16x24 | 50 | 300 | 32 | 22 | 70 | 70 |
| 11 | 70 80 | 290 | 105 | 250 | 20 22 | 74.9 85.4 | 240 | 140 | 205 | 6 | 6 | M20x32 | 65 | 375 | 40 | 26 | 84 | 90 |
| 14 | 100 | 350 | 135 | 305 | 28 | 106.4 | 290 | 170 | 250 | 6 | 7 | M24x35 | 80 | 455 | 50 | 32 | 100 | 114 |

Dimensions in [mm]

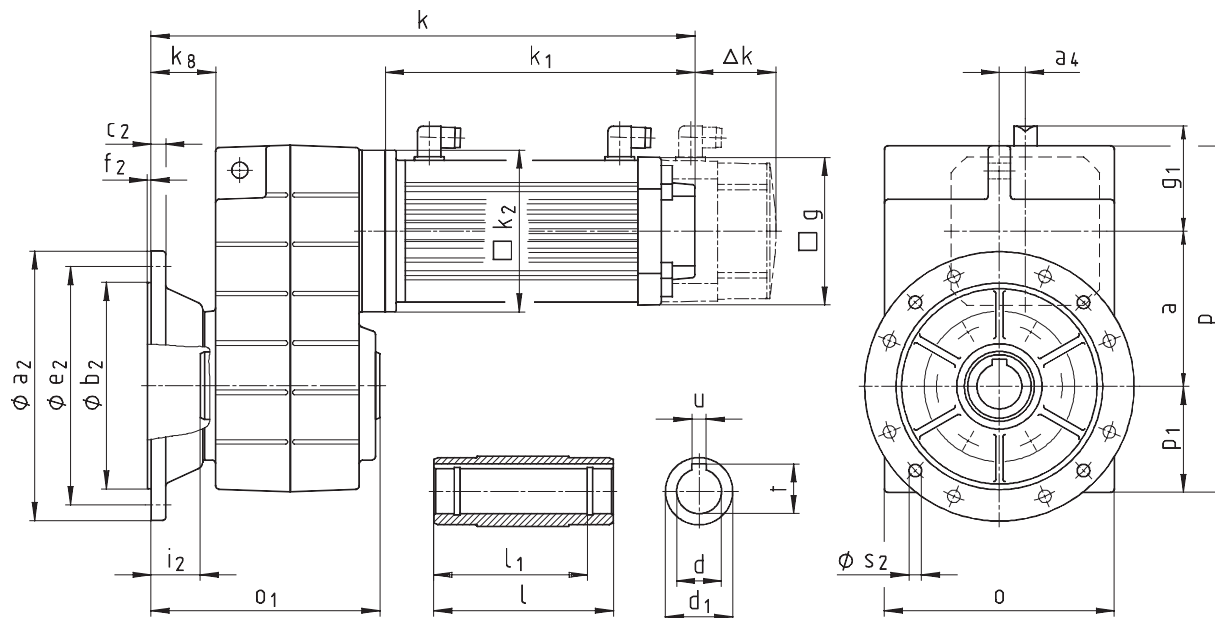
* Observe dimension k₂.

** See page 8-34 for more built-on accessories for motors

Dimensions - Shaft-mounted helical gearboxes

Geared servo motors with resolver

GFL□□ - 2 $\frac{A}{S}$ HCK



Dimensions - Shaft-mounted helical gearboxes

Geared servo motors with resolver



| Geared servo motor GFL□□ - 2 A S HCK | | S (synchronous servo motors) | | | | | A (asynchronous servo motors) | | | | | | | | | | | |
|--|---|------------------------------|-----|----------------|-------|----------------|-------------------------------|----------------|-----|-----|-----|-----|-----|-----|-----|-----|-----|-----|
| | | 056 | | 071 | | | 056 | 071 | 080 | 090 | 100 | 112 | | | | | | |
| | | C23 | C33 | C03 | C13 | C33 | C22 | C22 | C22 | C22 | C22 | C22 | | | | | | |
| Motor | g | 102 | 102 | 131 | 131 | 131 | 102 | 131 | 142 | 165 | 192 | 214 | | | | | | |
| | g₁ | 90 | 90 | 102 | 102 | 102 | 90 | 102 | 109 | 118 | 136 | 147 | | | | | | |
| | k₂ | 145 | 145 | 145 | 145 | 145 | 145 | 145 | 180 | 180 | 222 | 265 | | | | | | |
| | k₁ naturally ventilated | 207 | 242 | 215 | 250 | 285 | 258 | 267 | 307 | 346 | 408 | 479 | | | | | | |
| | Δk** forced ventilated+brake | 27 | 27 | 35 | 35 | 35 | 25 | 35 | 33 | 35 | 38 | 42 | | | | | | |
| | forced ventilated | - | - | 68 | 68 | 68 | - | 68 | 62 | 89 | 97 | 96 | | | | | | |
| | forced ventilated+brake | - | - | 103 | 103 | 103 | - | 103 | 95 | 124 | 135 | 138 | | | | | | |
| Gearbox size | Gearbox | | | | | | | Overall length | | | | | | | | | | |
| | o* | o ₁ | p* | p ₁ | a | a ₄ | k _g | k | | | | | | | | | | |
| 04 | 148 | 148 | 214 | 69 | 90.5 | 12.5 | 41 | 369 | 404 | 378 | 413 | 448 | 421 | 429 | | | | |
| 05 | 165 | 173 | 252 | 78 | 112.5 | 18.5 | 46 | 391 | 426 | 399 | 434 | 469 | 442 | 451 | 501 | | | |
| 06 | 206 | 201 | 315 | 98 | 140 | 22 | 55 | 412 | 447 | 420 | 455 | 490 | 463 | 472 | 522 | 561 | | |
| 07 | 256 | 255 | 386 | 118 | 173 | 29 | 72 | 459 | 494 | 467 | 502 | 537 | 510 | 519 | 569 | 608 | 676 | 755 |
| 09 | 318 | 300 | 486 | 149 | 220 | 37.5 | 77 | | | | | | | | 608 | 647 | 715 | 794 |
| 11 | 395 | 350 | 600 | 181 | 276.5 | 50 | 85 | | | | | | | | 649 | 688 | 756 | 835 |
| 14 | 490 | 410 | 740 | 228 | 339 | 65 | 89 | | | | | | | | | | 801 | 880 |

| Gearbox size | d | | l | Hollow shaft | | | Output flange | | | | | | | |
|--------------|----------|--|-----|----------------|----------------|----------|---------------|----------------|----------------|----------------|----------------|----------------|----------------|----------------------|
| | H7 | | | d ₁ | l ₁ | u | t | a ₂ | b ₂ | c ₂ | e ₂ | f ₂ | i ₂ | s ₂ |
| | | | | | JS9 | +0.2 | | j7 | | | | | | |
| 04 | 25 30 | | 115 | 45 | 100 | 8 8 | 28.3 33.3 | 160 | 110 | 10 | 130 | 3.5 | 33 | 4 x 9 |
| 05 | 30 35 | | 140 | 50 | 124 | 8 10 | 33.3 38.3 | 200 | 130 | 12 | 165 | 3.5 | 33 | 4 x 11 |
| 06 | 40 45 | | 160 | 65 | 140 | 12 14 | 43.3 48.8 | 200 250 | 130 180 | 12 15 | 165 215 | 3.5 4 | 42 41 | 4 x 11 4 x 14 |
| 07 | 50 55 | | 200 | 75 | 175 | 14 16 | 53.8 59.3 | 250 300 | 180 230 | 15 17 | 215 265 | 4 | 55 | 4 x 14 |
| 09 | 60 70 | | 240 | 95 | 210 | 18 20 | 64.4 74.9 | 350 | 250 | 18 | 300 | 4 | 60 | 4 x 17.5 |
| 11 | 70 80 | | 290 | 105 | 250 | 20 22 | 74.9 85.4 | 400 450 | 300 350 | 20 22 | 350 400 | 5 | 60 | 4 x 17.5 8 x 17.5 |
| 14 | 100 | | 350 | 135 | 305 | 28 | 106.4 | 450 | 350 | 22 | 400 | 5 | 60 | 8 x 17.5 |

Dimensions in [mm]

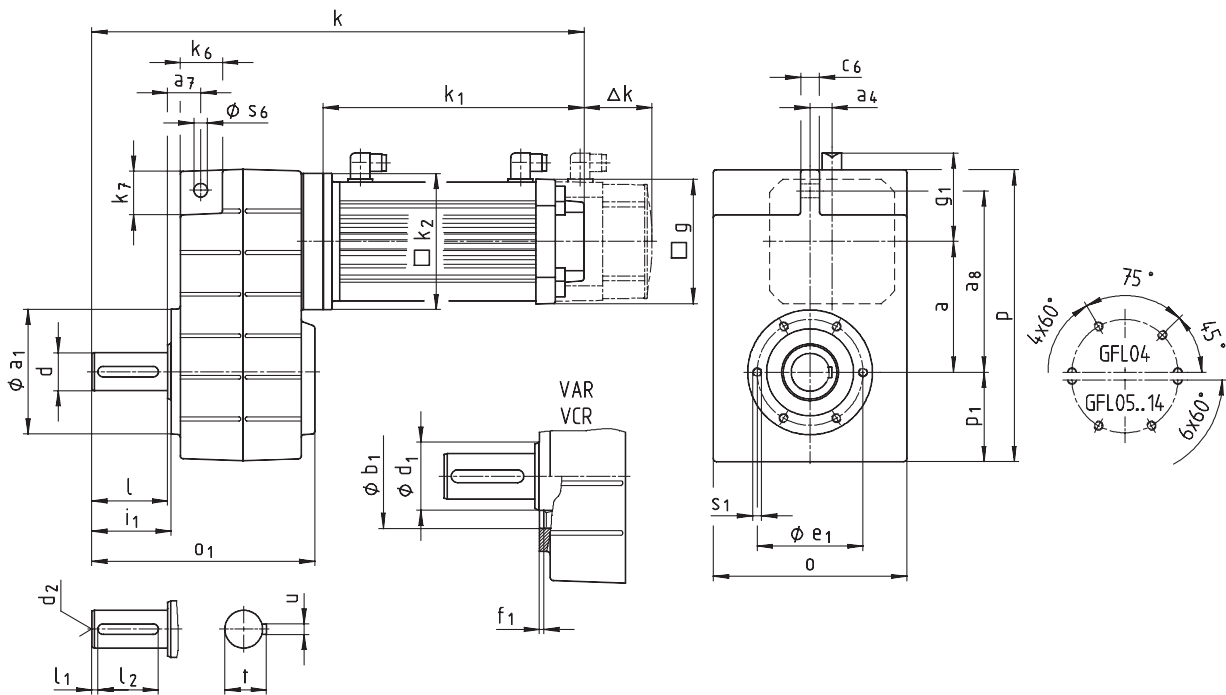
* Observe dimension k₂.

** See page 8-34 for more built-on accessories for motors

Dimensions - Shaft-mounted helical gearboxes

Geared servo motors with resolver

GFL□□ - 2 $\frac{A}{S}$ V□R



Dimensions - Shaft-mounted helical gearboxes

Geared servo motors with resolver



| Geared servo motor | | S (synchronous servo motors) | | | | | A (asynchronous servo motors) | | | | | | | | | | | | |
|------------------------------|-------------------------------------|------------------------------|-----|----------------|-------|----------------|-------------------------------|-----|-----|-----|-----|-----|-----|-----|-----|-----|------|--|--|
| GFL□□ - 2 ^A S V□R | | 056 | | 071 | | | 056 | 071 | 080 | 090 | 100 | 112 | | | | | | | |
| | | C23 | C33 | C03 | C13 | C33 | C22 | C22 | C22 | C22 | C22 | C22 | | | | | | | |
| Motor | g | 102 | 102 | 131 | 131 | 131 | 102 | 131 | 142 | 165 | 192 | 214 | | | | | | | |
| | g ₁ | 90 | 90 | 102 | 102 | 102 | 90 | 102 | 109 | 118 | 136 | 147 | | | | | | | |
| | k ₂ | 145 | 145 | 145 | 145 | 145 | 145 | 145 | 180 | 180 | 222 | 265 | | | | | | | |
| | k ₁ naturally ventilated | 207 | 242 | 215 | 250 | 285 | 258 | 267 | 307 | 346 | 408 | 479 | | | | | | | |
| | Δk** forced ventilated+brake | 27 | 27 | 35 | 35 | 35 | 25 | 35 | 33 | 35 | 38 | 42 | | | | | | | |
| | forced ventilated | - | - | 68 | 68 | 68 | - | 68 | 62 | 89 | 97 | 96 | | | | | | | |
| | forced ventilated+brake | - | - | 103 | 103 | 103 | - | 103 | 95 | 124 | 135 | 138 | | | | | | | |
| Gearbox size | Gearbox | | | | | | Overall length | | | | | | | | | | | | |
| | o* | o ₁ | p* | p ₁ | a | a ₄ | k | | | | | | | | | | | | |
| 04 | 148 | 163 | 214 | 69 | 90.5 | 12.5 | 386 | 421 | 395 | 430 | 465 | 438 | 446 | | | | | | |
| 05 | 165 | 197 | 252 | 78 | 112.5 | 18.5 | 418 | 453 | 426 | 461 | 496 | 469 | 478 | 528 | | | | | |
| 06 | 206 | 236 | 315 | 98 | 140 | 22 | 451 | 486 | 459 | 494 | 529 | 502 | 511 | 561 | 600 | | | | |
| 07 | 256 | 296 | 386 | 118 | 173 | 29 | 504 | 539 | 512 | 547 | 582 | 555 | 564 | 614 | 653 | 721 | 800 | | |
| 09 | 318 | 356 | 486 | 149 | 220 | 37.5 | | | | | | | | 668 | 707 | 775 | 854 | | |
| 11 | 395 | 445 | 600 | 181 | 276.5 | 50 | | | | | | | | 749 | 788 | 856 | 935 | | |
| 14 | 490 | 544 | 740 | 228 | 339 | 65 | | | | | | | | | | 941 | 1020 | | |

| Gearbox size | Solid shaft | | | | | | | | | Pitch circle | | | | | Torque plate | | | | | |
|--------------|-------------|-----|----------------|----------------|----------------|----------------|----|------|----------------|-------------------|----------------|----------------|----------------|----------------|----------------|----------------|----------------|----------------|----------------|----------------|
| | d | l | d ₁ | l ₁ | l ₂ | d ₂ | u | t | a ₁ | b ₁ H7 | e ₁ | f ₁ | i ₁ | s ₁ | a ₇ | a ₈ | c ₆ | s ₆ | k ₆ | k ₇ |
| 04 | 25 | 50 | 45 | 4 | 40 | M10 | 8 | 28 | 110 | 75 | 90 | 3 | 52.5 | M6x12 | 22.5 | 128 | 14 | 12.5 | 32 | 35 |
| 05 | 30 | 60 | 50 | 6 | 45 | M10 | 8 | 33 | 118 | 80 | 100 | 4 | 64 | M8x15 | 29 | 155 | 16 | 14 | 35 | 38 |
| 06 | 40 | 80 | 65 | 7 | 63 | M16 | 12 | 43 | 140 | 100 | 120 | 4 | 85 | M10x16 | 35 | 195 | 20 | 14 | 46 | 46 |
| 07 | 50 | 100 | 75 | 8 | 80 | M16 | 14 | 53.5 | 165 | 115 | 140 | 5 | 105 | M12x18 | 44 | 240 | 25 | 18 | 56 | 56 |
| 09 | 60 | 120 | 95 | 8 | 100 | M20 | 18 | 64 | 205 | 145 | 175 | 6 | 125 | M16x24 | 50 | 300 | 32 | 22 | 70 | 70 |
| 11 | 80 | 160 | 105 | 15 | 125 | M20 | 22 | 85 | 240 | 140 | 205 | 6 | 166 | M20x32 | 65 | 375 | 40 | 26 | 84 | 90 |
| 14 | 100 | 200 | 135 | 18 | 160 | M24 | 28 | 106 | 290 | 170 | 250 | 6 | 207 | M24x35 | 80 | 455 | 50 | 32 | 100 | 114 |

Dimensions in [mm] d ≤ 50 mm: k6
d > 50 mm: m6

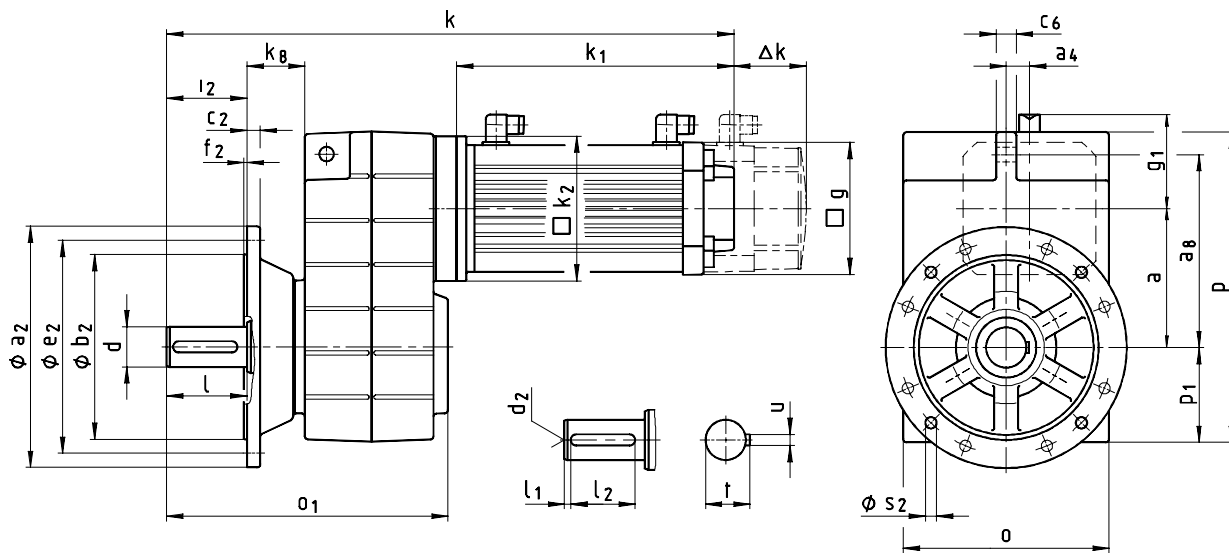
* Observe dimension k₂

** See page 8-34 for more built-on accessories for motors

Dimensions - Shaft-mounted helical gearboxes

Geared servo motors with resolver

GFL□□ - 2 $\frac{A}{S}$ VCK



Dimensions - Shaft-mounted helical gearboxes

Geared servo motors with resolver



| Geared servo motor GFL□□ - 2 ^A _S VCK | | S (synchronous servo motors) | | | | | A (asynchronous servo motors) | | | | | | | | | | | |
|---|-------------------------------------|------------------------------|-----|----------------|-------|----------------|-------------------------------|----------------|-----|-----|-----|-----|-----|-----|-----|-----|------|------|
| | | 056 | | 071 | | | 056 | 071 | 080 | 090 | 100 | 112 | | | | | | |
| | | C23 | C33 | C03 | C13 | C33 | C22 | C22 | C22 | C22 | C22 | C22 | | | | | | |
| Motor | g | 102 | 102 | 131 | 131 | 131 | 102 | 131 | 142 | 165 | 192 | 214 | | | | | | |
| | g ₁ | 90 | 90 | 102 | 102 | 102 | 90 | 102 | 109 | 118 | 136 | 147 | | | | | | |
| | k ₂ | 145 | 145 | 145 | 145 | 145 | 145 | 145 | 180 | 180 | 222 | 265 | | | | | | |
| | k ₁ naturally ventilated | 207 | 242 | 215 | 250 | 285 | 258 | 267 | 307 | 346 | 408 | 479 | | | | | | |
| | Δk** forced ventilated+brake | 27 | 27 | 35 | 35 | 35 | 25 | 35 | 33 | 35 | 38 | 42 | | | | | | |
| | forced ventilated | - | - | 68 | 68 | 68 | - | 68 | 62 | 89 | 97 | 96 | | | | | | |
| | forced ventilated+brake | - | - | 103 | 103 | 103 | - | 103 | 95 | 124 | 135 | 138 | | | | | | |
| Gearbox size | Gearbox | | | | | | | Overall length | | | | | | | | | | |
| | o* | o ₁ | p* | p ₁ | a | a ₄ | k _g | k | | | | | | | | | | |
| 04 | 148 | 196 | 214 | 69 | 90.5 | 12.5 | 41 | 419 | 454 | 428 | 463 | 498 | 471 | 479 | | | | |
| 05 | 165 | 230 | 252 | 78 | 112.5 | 18.5 | 46 | 451 | 486 | 459 | 494 | 529 | 502 | 511 | 561 | | | |
| 06 | 206 | 277 | 315 | 98 | 140 | 22 | 55 | 492 | 527 | 500 | 535 | 570 | 543 | 552 | 602 | 641 | | |
| 07 | 256 | 351 | 386 | 118 | 173 | 29 | 72 | 559 | 594 | 567 | 602 | 637 | 610 | 619 | 669 | 708 | 776 | 855 |
| 09 | 318 | 416 | 486 | 149 | 220 | 37.5 | 77 | | | | | | | | 728 | 767 | 835 | 914 |
| 11 | 395 | 505 | 600 | 181 | 276.5 | 50 | 85 | | | | | | | | 809 | 848 | 916 | 995 |
| 14 | 490 | 604 | 740 | 228 | 339 | 65 | 89 | | | | | | | | | | 1001 | 1080 |

| Gearbox size | Solid shaft | | | | | | | | Output flange | | | | | | |
|--------------|-------------|-----|----------------|----------------|----------------|----|------|----------------|----------------------|----------------|----------------|----------------|----------------|----------------------|--|
| | d | l | l ₁ | l ₂ | d ₂ | u | t | a ₂ | b ₂ j7 | c ₂ | e ₂ | f ₂ | i ₂ | s ₂ | |
| 04 | 25 | 50 | 4 | 40 | M10 | 8 | 28 | 160 | 110 | 10 | 130 | 3.5 | 50 | 4 x 9 | |
| 05 | 30 | 60 | 6 | 45 | M10 | 8 | 33 | 200 | 130 | 12 | 165 | 3.5 | 60 | 4 x 11 | |
| 06 | 40 | 80 | 7 | 63 | M16 | 12 | 43 | 250 | 180 | 15 | 215 | 4 | 80 | 4 x 14 | |
| 07 | 50 | 100 | 8 | 80 | M16 | 14 | 53.5 | 250 300 | 180 230 | 15 17 | 215 265 | 4 | 100 | 4 x 14 | |
| 09 | 60 | 120 | 8 | 100 | M20 | 18 | 64 | 350 | 250 | 18 | 300 | 4 | 120 | 4 x 17.5 | |
| 11 | 80 | 160 | 15 | 125 | M20 | 22 | 85 | 400 450 | 300 350 | 20 22 | 350 400 | 5 | 160 | 4 x 17.5 8 x 17.5 | |
| 14 | 100 | 200 | 18 | 160 | M24 | 28 | 106 | 450 | 350 | 22 | 400 | 5 | 200 | 8 x 17.5 | |

Dimensions in [mm]

d ≤ 50 mm: k6
d > 50 mm: m6

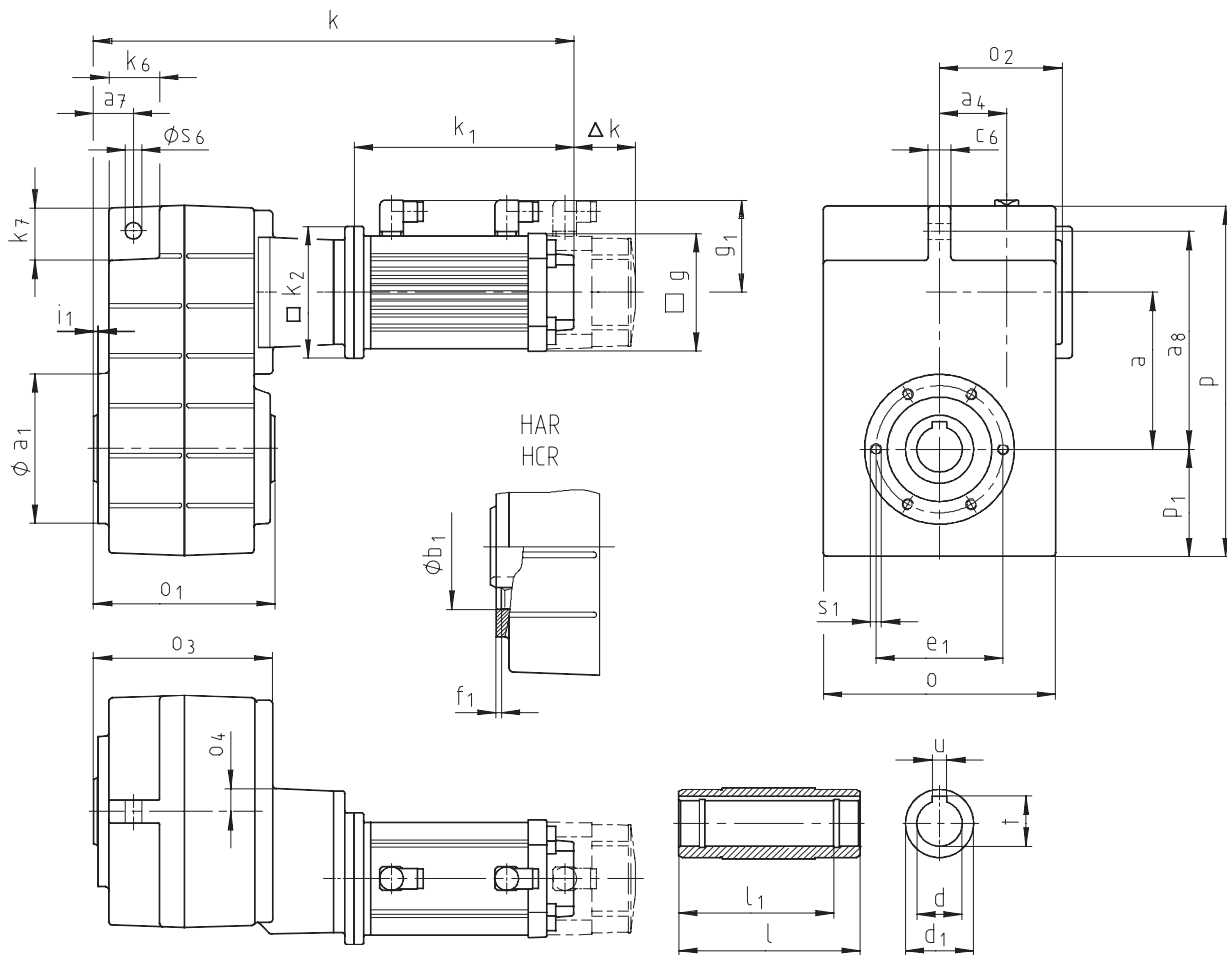
* Observe dimension k₂

** See page 8-34 for more built-on accessories for motors

Dimensions - Shaft-mounted helical gearboxes

Geared servo motors with resolver

GFL□□ - 3 $\frac{A}{S}$ H□R



Dimensions - Shaft-mounted helical gearboxes

Geared servo motors with resolver



| Geared servo motor GFL□□ - 3^A S^A H□□ | | S (synchronous servo motors) | | | | | A (asynchronous servo motors) | | | | | | | | | | | | | |
|--|-------------------------|------------------------------|----------------|----------------|----------------|-----|-------------------------------|-------|----------------|----------------|-----|-----|-----|-----|-----|-----|-----|-----|-----|-----|
| | | 056 | | 071 | | | 056 | 071 | 080 | 090 | 100 | 112 | | | | | | | | |
| | | C23 | C33 | C03 | C13 | C33 | C22 | C22 | C22 | C22 | C22 | C22 | | | | | | | | |
| Motor | g | 102 | 102 | 131 | 131 | 131 | 102 | 131 | 142 | 165 | 192 | 214 | | | | | | | | |
| | g₁ | 90 | 90 | 102 | 102 | 102 | 90 | 102 | 109 | 118 | 136 | 147 | | | | | | | | |
| | k₂ | 145 | 145 | 145 | 145 | 145 | 145 | 145 | 180 | 180 | 222 | 265 | | | | | | | | |
| | k₁ | naturally ventilated | 207 | 242 | 215 | 250 | 285 | 258 | 267 | 307 | 346 | 408 | 479 | | | | | | | |
| | Δk^{**} | forced ventilated+brake | 27 | 27 | 35 | 35 | 35 | 25 | 35 | 33 | 35 | 38 | 42 | | | | | | | |
| | | forced ventilated | - | - | 68 | 68 | 68 | - | 68 | 62 | 89 | 97 | 96 | | | | | | | |
| | forced ventilated+brake | - | - | 103 | 103 | 103 | - | 103 | 95 | 124 | 135 | 138 | | | | | | | | |
| Gearbox size | Gearbox | | | | | | | | | Overall length | | | | | | | | | | |
| | o* | o ₁ | o ₂ | o ₃ | o ₄ | p* | p ₁ | a | a ₄ | k | | | | | | | | | | |
| 05 | 165 | 140 | 107 | 141 | 23 | 252 | 78 | 112.5 | 54.5 | 434 | 469 | 443 | 478 | 513 | 486 | 494 | | | | |
| 06 | 206 | 160 | 111 | 160 | 20 | 315 | 98 | 140 | 58 | 464 | 499 | 473 | 508 | 543 | 516 | 524 | | | | |
| 07 | 256 | 200 | 135 | 199 | 24 | 386 | 118 | 173 | 74 | 508 | 543 | 517 | 552 | 587 | 560 | 568 | 618 | | | |
| 09 | 318 | 240 | 170 | 238 | 27 | 486 | 149 | 220 | 93.5 | 560 | 595 | 569 | 604 | 639 | 612 | 620 | 670 | 709 | | |
| 11 | 395 | 290 | 216 | 285 | 34 | 600 | 181 | 276.5 | 120 | 620 | 655 | 629 | 664 | 699 | 672 | 680 | 730 | 769 | 838 | 916 |
| 14 | 490 | 350 | 271 | 340 | 38 | 740 | 228 | 339 | 154 | | | | | | | | 809 | 848 | 917 | 995 |

| Gearbox size | Hollow shaft | | | | | | Pitch circle | | | | | | Torque plate | | | | | |
|--------------|--------------|-----|----------------|----------------|----------|--------------|----------------|----------------------|----------------|----------------|----------------|---------------------------|----------------|----------------|----------------|----------------|----------------|----------------|
| | d H7 | l | d ₁ | l ₁ | u JS9 | t +0.2 | a ₁ | b ₁ H7 | e ₁ | f ₁ | i ₁ | s ₁ 6 x 60° | a ₇ | a ₈ | c ₆ | s ₆ | k ₆ | k ₇ |
| 05 | 30 35 | 140 | 50 | 124 | 8 10 | 33.3 38.3 | 118 | 80 | 100 | 4 | 4 | M8x15 | 29 | 155 | 16 | 14 | 35 | 38 |
| 06 | 40 45 | 160 | 65 | 140 | 12 14 | 43.3 48.8 | 140 | 100 | 120 | 4 | 5 | M10x16 | 35 | 195 | 20 | 14 | 46 | 46 |
| 07 | 50 55 | 200 | 75 | 175 | 14 16 | 53.8 59.3 | 165 | 115 | 140 | 5 | 5 | M12x18 | 44 | 240 | 25 | 18 | 56 | 56 |
| 09 | 60 70 | 240 | 95 | 210 | 18 20 | 64.4 74.9 | 205 | 145 | 175 | 6 | 5 | M16x24 | 50 | 300 | 32 | 22 | 70 | 70 |
| 11 | 70 80 | 290 | 105 | 250 | 20 22 | 74.9 85.4 | 240 | 140 | 205 | 6 | 6 | M20x32 | 65 | 375 | 40 | 26 | 84 | 90 |
| 14 | 100 | 350 | 135 | 305 | 28 | 106.4 | 290 | 170 | 250 | 6 | 7 | M24x35 | 80 | 455 | 50 | 32 | 100 | 114 |

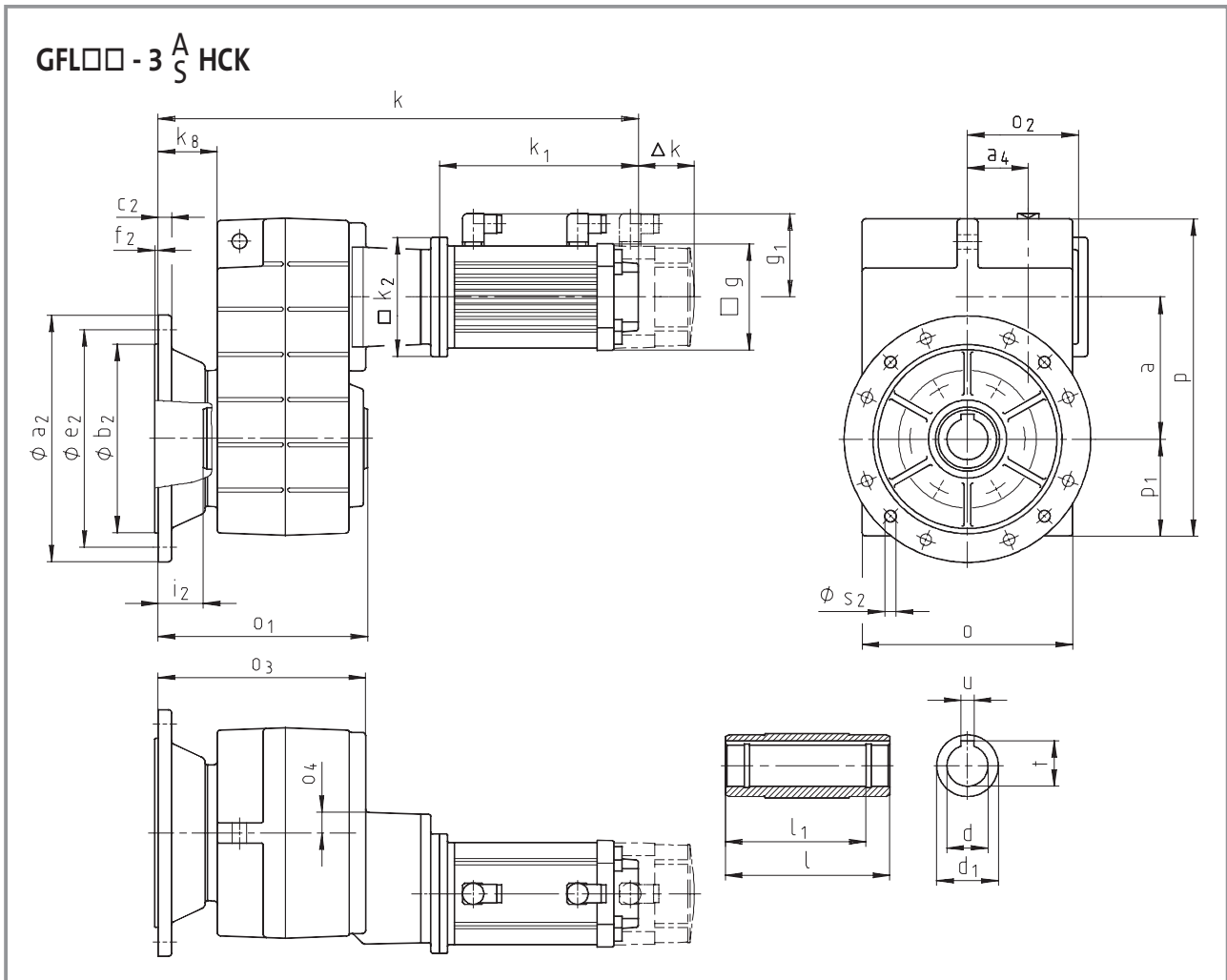
Dimensions in [mm]

* Observe dimension k₂.

** See page 8-34 for more built-on accessories for motors

Dimensions - Shaft-mounted helical gearboxes

Geared servo motors with resolver



Dimensions - Shaft-mounted helical gearboxes

Geared servo motors with resolver



| Geared servo motor GFL□□ - 3^A_S HCK | | S (synchronous servo motors) | | | | | A (asynchronous servo motors) | | | | | | | | | | | | | | |
|--|----------------|------------------------------|----------------|----------------|----------------|-----|-------------------------------|-------|----------------|----------------|----------------|-----|-----|-----|-----|-----|-----|-----|-----|-----|------|
| | | 056 | | 071 | | | 056 | 071 | 080 | 090 | 100 | 112 | | | | | | | | | |
| | | C23 | C33 | C03 | C13 | C33 | C22 | C22 | C22 | C22 | C22 | C22 | | | | | | | | | |
| Motor | g | 102 | 102 | 131 | 131 | 131 | 102 | 131 | 142 | 165 | 192 | 214 | | | | | | | | | |
| | g ₁ | 90 | 90 | 102 | 102 | 102 | 90 | 102 | 109 | 118 | 136 | 147 | | | | | | | | | |
| | k ₂ | 145 | 145 | 145 | 145 | 145 | 145 | 145 | 180 | 180 | 222 | 265 | | | | | | | | | |
| | k ₁ | naturally ventilated | | 207 | 242 | 215 | 250 | 285 | 258 | 267 | 307 | 346 | 408 | 479 | | | | | | | |
| | Δk** | forced ventilated+brake | | 27 | 27 | 35 | 35 | 35 | 25 | 35 | 33 | 35 | 38 | 42 | | | | | | | |
| | | forced ventilated | | - | - | 68 | 68 | 68 | - | 68 | 62 | 89 | 97 | 96 | | | | | | | |
| forced ventilated+brake | | - | - | 103 | 103 | 103 | - | 103 | 95 | 124 | 135 | 138 | | | | | | | | | |
| Gearbox size | Gearbox | | | | | | | | | | Overall length | | | | | | | | | | |
| | o* | o ₁ | o ₂ | o ₃ | o ₄ | p* | p ₁ | a | a ₄ | k ₈ | k | | | | | | | | | | |
| 05 | 165 | 173 | 107 | 174 | 23 | 252 | 78 | 112.5 | 54.5 | 46 | 467 | 502 | 476 | 511 | 546 | 519 | 527 | | | | |
| 06 | 206 | 201 | 111 | 201 | 20 | 315 | 98 | 140 | 58 | 55 | 505 | 540 | 514 | 549 | 584 | 557 | 565 | | | | |
| 07 | 256 | 255 | 135 | 254 | 24 | 386 | 118 | 173 | 74 | 72 | 563 | 598 | 572 | 607 | 642 | 615 | 623 | 673 | | | |
| 09 | 318 | 300 | 170 | 298 | 27 | 486 | 149 | 220 | 93.5 | 77 | 620 | 655 | 629 | 664 | 699 | 672 | 680 | 730 | 769 | | |
| 11 | 395 | 350 | 216 | 345 | 34 | 600 | 181 | 276.5 | 120 | 85 | 680 | 715 | 689 | 724 | 759 | 732 | 740 | 790 | 829 | 898 | 976 |
| 14 | 490 | 410 | 271 | 400 | 38 | 740 | 228 | 339 | 154 | 89 | | | | | | | | 869 | 908 | 977 | 1055 |

| Gearbox size | Hollow shaft | | | | | | Output flange | | | | | | |
|--------------|--------------|-----|----------------|----------------|----------|--------------|----------------|----------------------|----------------|----------------|----------------|----------------|----------------------|
| | d H7 | l | d ₁ | l ₁ | u JS9 | t +0.2 | a ₂ | b ₂ j7 | c ₂ | e ₂ | f ₂ | i ₂ | s ₂ |
| 05 | 30 35 | 140 | 50 | 124 | 8 10 | 33.3 38.3 | 200 | 130 | 12 | 165 | 3.5 | 33 | 4 x 11 |
| 06 | 40 45 | 160 | 65 | 140 | 12 14 | 43.3 48.8 | 200 250 | 130 180 | 12 15 | 165 215 | 3.5 4 | 42 41 | 4 x 11 4 x 14 |
| 07 | 50 55 | 200 | 75 | 175 | 14 16 | 53.8 59.3 | 250 300 | 180 230 | 15 17 | 215 265 | 4 | 55 | 4 x 14 |
| 09 | 60 70 | 240 | 95 | 210 | 18 20 | 64.4 74.9 | 350 | 250 | 18 | 300 | 4 | 60 | 4 x 17.5 |
| 11 | 70 80 | 290 | 105 | 250 | 20 22 | 74.9 85.4 | 400 450 | 300 350 | 20 22 | 350 400 | 5 | 60 | 4 x 17.5 8 x 17.5 |
| 14 | 100 | 350 | 135 | 305 | 28 | 106.4 | 450 | 350 | 22 | 400 | 5 | 60 | 8 x 17.5 |

Dimensions in [mm]

* Observe dimension k₂.

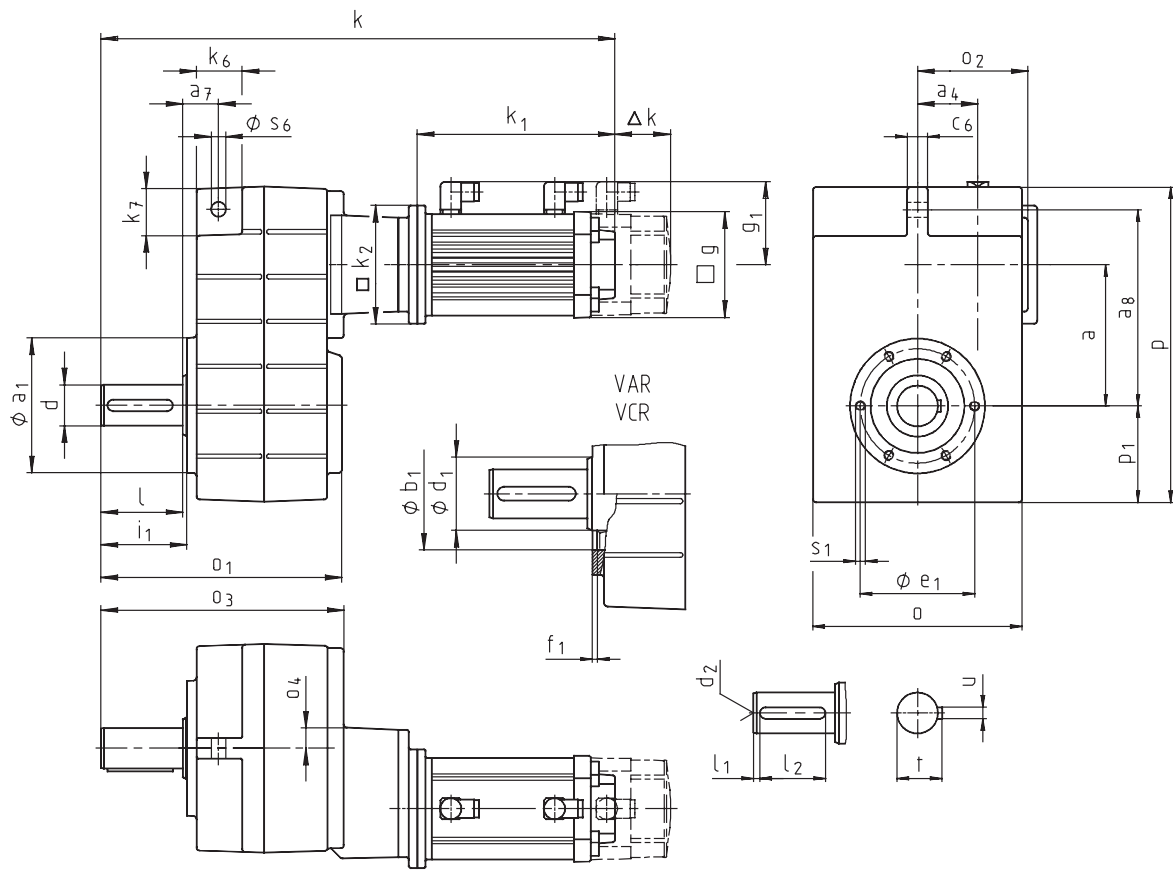
** See page 8-34 for more built-on accessories for motors

4

Dimensions - Shaft-mounted helical gearboxes

Geared servo motors with resolver

GFL□□ - 3 $\frac{A}{S}$ VQR



Dimensions - Shaft-mounted helical gearboxes

Geared servo motors with resolver



| Geared servo motor GFL□□ - 3 ^A _S V□R | | S (synchronous servo motors) | | | | | A (asynchronous servo motors) | | | | | | | | | | | | | | | | | |
|---|-------------------------|------------------------------|----------------|----------------|----------------|-----|-------------------------------|-------|----------------|----------------|-----|-----|-----|-----|-----|-----|------|------|------|------|--|--|--|--|
| | | 056 | | 071 | | | 056 | 071 | 080 | 090 | 100 | 112 | | | | | | | | | | | | |
| | | C23 | C33 | C03 | C13 | C33 | C22 | C22 | C22 | C22 | C22 | C22 | | | | | | | | | | | | |
| Motor | g | 102 | 102 | 131 | 131 | 131 | 102 | 131 | 142 | 165 | 192 | 214 | | | | | | | | | | | | |
| | g ₁ | 90 | 90 | 102 | 102 | 102 | 90 | 102 | 109 | 118 | 136 | 147 | | | | | | | | | | | | |
| | k ₂ | 145 | 145 | 145 | 145 | 145 | 145 | 145 | 180 | 180 | 222 | 265 | | | | | | | | | | | | |
| | k ₁ | naturally ventilated | 207 | 242 | 215 | 250 | 285 | 258 | 267 | 307 | 346 | 408 | 479 | | | | | | | | | | | |
| | Δk** | forced ventilated+brake | 27 | 27 | 35 | 35 | 35 | 25 | 35 | 33 | 35 | 38 | 42 | | | | | | | | | | | |
| | forced ventilated | - | - | 68 | 68 | 68 | - | 68 | 62 | 89 | 97 | 96 | | | | | | | | | | | | |
| | forced ventilated+brake | - | - | 103 | 103 | 103 | - | 103 | 95 | 124 | 135 | 138 | | | | | | | | | | | | |
| Gearbox size | Gearbox | | | | | | | | | Overall length | | | | | | | | | | | | | | |
| | o* | o ₁ | o ₂ | o ₃ | o ₄ | p* | p ₁ | a | a ₄ | k | | | | | | | | | | | | | | |
| 05 | 165 | 197 | 107 | 201 | 23 | 252 | 78 | 112.5 | 54.5 | 494 | 529 | 503 | 538 | 573 | 546 | 554 | | | | | | | | |
| 06 | 206 | 236 | 111 | 240 | 20 | 315 | 98 | 140 | 58 | 544 | 579 | 553 | 588 | 623 | 596 | 604 | | | | | | | | |
| 07 | 256 | 296 | 135 | 299 | 24 | 386 | 118 | 173 | 74 | 608 | 643 | 617 | 652 | 687 | 660 | 668 | 718 | | | | | | | |
| 09 | 318 | 356 | 170 | 358 | 27 | 486 | 149 | 220 | 93.5 | 680 | 715 | 689 | 724 | 759 | 732 | 740 | 790 | 829 | | | | | | |
| 11 | 395 | 445 | 216 | 445 | 34 | 600 | 181 | 276.5 | 120 | 780 | 815 | 789 | 824 | 859 | 832 | 840 | 890 | 929 | 998 | 1076 | | | | |
| 14 | 490 | 544 | 271 | 540 | 38 | 740 | 228 | 339 | 154 | | | | | | | | 1009 | 1048 | 1117 | 1195 | | | | |

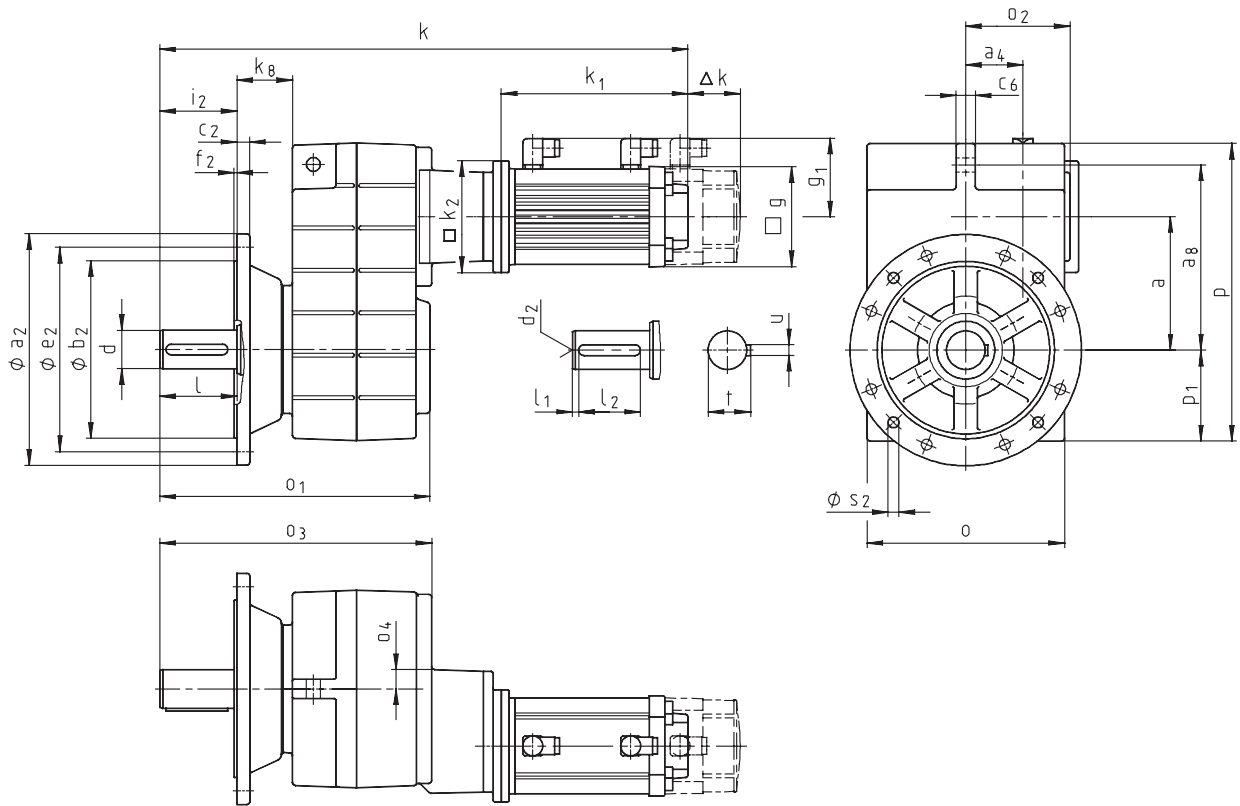
| Gearbox size | Solid shaft | | | | | | | | | Pitch circle | | | | | Torque plate | | | | | |
|--------------|-------------|-----|----------------|----------------|----------------|----------------|----|------|----------------|----------------------|----------------|----------------|----------------|---------------------------|----------------|----------------|----------------|----------------|----------------|----------------|
| | d | l | d ₁ | l ₁ | l ₂ | d ₂ | u | t | a ₁ | b ₁ H7 | e ₁ | f ₁ | i ₁ | s ₁ 6 x 60° | a ₇ | a ₈ | c ₆ | s ₆ | k ₆ | k ₇ |
| 05 | 30 | 60 | 50 | 6 | 45 | M10 | 8 | 33 | 118 | 80 | 100 | 4 | 64 | M8x15 | 29 | 155 | 16 | 14 | 35 | 38 |
| 06 | 40 | 80 | 65 | 7 | 63 | M16 | 12 | 43 | 140 | 100 | 120 | 4 | 85 | M10x16 | 35 | 195 | 20 | 14 | 46 | 46 |
| 07 | 50 | 100 | 75 | 8 | 80 | M16 | 14 | 53.5 | 165 | 115 | 140 | 5 | 105 | M12x18 | 44 | 240 | 25 | 18 | 56 | 56 |
| 09 | 60 | 120 | 95 | 8 | 100 | M20 | 18 | 64 | 205 | 145 | 175 | 6 | 125 | M16x24 | 50 | 300 | 32 | 22 | 70 | 70 |
| 11 | 80 | 160 | 105 | 15 | 125 | M20 | 22 | 85 | 240 | 140 | 205 | 6 | 166 | M20x32 | 65 | 375 | 40 | 26 | 84 | 90 |
| 14 | 100 | 200 | 135 | 18 | 160 | M24 | 28 | 106 | 290 | 170 | 250 | 6 | 207 | M24x35 | 80 | 455 | 50 | 32 | 100 | 114 |

Dimensions in [mm] d ≤ 50 mm: k6 * Observe dimension k₂
 d > 50 mm: m6 ** See page 8-34 for more built-on accessories for motors

Dimensions - Shaft-mounted helical gearboxes

Geared servo motors with resolver

GFL□□ - 3 $\frac{A}{S}$ VCK



Dimensions - Shaft-mounted helical gearboxes

Geared servo motors with resolver



| Geared servo motor GFL□□ - 3^A_S VCK | | S (synchronous servo motors) | | | | | A (asynchronous servo motors) | | | | | | | | | | | | | | |
|--|-------------------------|------------------------------|----------------|----------------|----------------|-----|-------------------------------|-------|----------------|----------------|-----|----------------|-----|-----|-----|-----|-----|------|------|------|------|
| | | 056 | | 071 | | | 056 | 071 | 080 | 090 | 100 | 112 | | | | | | | | | |
| | | C23 | C33 | C03 | C13 | C33 | C22 | C22 | C22 | C22 | C22 | C22 | | | | | | | | | |
| Motor | g | 102 | 102 | 131 | 131 | 131 | 102 | 131 | 142 | 165 | 192 | 214 | | | | | | | | | |
| | g ₁ | 90 | 90 | 102 | 102 | 102 | 90 | 102 | 109 | 118 | 136 | 147 | | | | | | | | | |
| | k ₂ | 145 | 145 | 145 | 145 | 145 | 145 | 145 | 180 | 180 | 222 | 265 | | | | | | | | | |
| | k ₁ | naturally ventilated | 207 | 242 | 215 | 250 | 285 | 258 | 267 | 307 | 346 | 408 | 479 | | | | | | | | |
| | Δk** | forced ventilated+brake | 27 | 27 | 35 | 35 | 35 | 25 | 35 | 33 | 35 | 38 | 42 | | | | | | | | |
| | forced ventilated | - | - | 68 | 68 | 68 | - | 68 | 62 | 89 | 97 | 96 | | | | | | | | | |
| | forced ventilated+brake | - | - | 103 | 103 | 103 | - | 103 | 95 | 124 | 135 | 138 | | | | | | | | | |
| Gearbox size | Gearbox | | | | | | | | | | | Overall length | | | | | | | | | |
| | o* | o ₁ | o ₂ | o ₃ | o ₄ | p* | p ₁ | a | a ₄ | k ₈ | k | | | | | | | | | | |
| 05 | 165 | 230 | 107 | 234 | 23 | 252 | 78 | 112.5 | 54.5 | 46 | 527 | 562 | 536 | 571 | 606 | 579 | 587 | | | | |
| 06 | 206 | 277 | 111 | 281 | 20 | 315 | 98 | 140 | 58 | 55 | 585 | 620 | 594 | 629 | 664 | 637 | 645 | | | | |
| 07 | 256 | 351 | 135 | 354 | 24 | 386 | 118 | 173 | 74 | 72 | 663 | 698 | 672 | 707 | 742 | 715 | 723 | 773 | | | |
| 09 | 318 | 416 | 170 | 418 | 27 | 486 | 149 | 220 | 93.5 | 77 | 740 | 775 | 749 | 784 | 819 | 792 | 800 | 850 | 889 | | |
| 11 | 395 | 505 | 216 | 505 | 34 | 600 | 181 | 276.5 | 120 | 85 | 840 | 875 | 849 | 884 | 919 | 892 | 900 | 950 | 989 | 1058 | 1136 |
| 14 | 490 | 604 | 271 | 600 | 38 | 740 | 228 | 339 | 154 | 89 | | | | | | | | 1069 | 1108 | 1177 | 1255 |

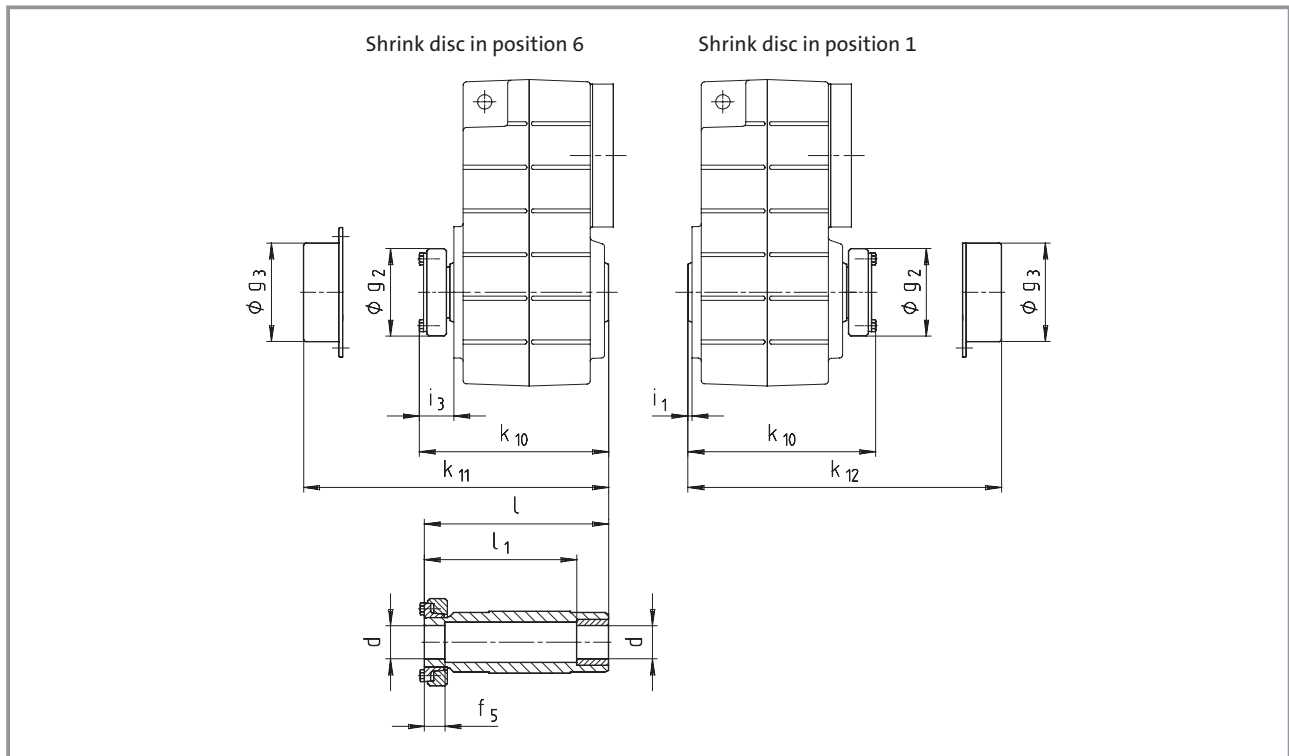
| Gearbox size | Solid shaft | | | | | | | | Output flange | | | | | | |
|--------------|-------------|-----|----------------|----------------|----------------|----|------|----------------|----------------------|----------------|----------------|----------------|----------------|----------------------|--|
| | d | l | l ₁ | l ₂ | d ₂ | u | t | a ₂ | b ₂ j7 | c ₂ | e ₂ | f ₂ | i ₂ | s ₂ | |
| 05 | 30 | 60 | 6 | 45 | M10 | 8 | 33 | 200 | 130 | 12 | 165 | 3.5 | 60 | 4 x 11 | |
| 06 | 40 | 80 | 7 | 63 | M16 | 12 | 43 | 250 | 180 | 15 | 215 | 4 | 80 | 4 x 14 | |
| 07 | 50 | 100 | 8 | 80 | M16 | 14 | 53.5 | 250 300 | 180 230 | 15 17 | 215 265 | 4 | 100 | 4 x 14 | |
| 09 | 60 | 120 | 8 | 100 | M20 | 18 | 64 | 350 | 250 | 18 | 300 | 4 | 120 | 4 x 17.5 | |
| 11 | 80 | 160 | 15 | 125 | M20 | 22 | 85 | 400 450 | 300 350 | 20 22 | 350 400 | 5 | 160 | 4 x 17.5 8 x 17.5 | |
| 14 | 100 | 200 | 18 | 160 | M24 | 28 | 106 | 450 | 350 | 22 | 400 | 5 | 200 | 8 x 17.5 | |

Dimensions in [mm] d ≤ 50 mm: k6
d > 50 mm: m6

* Observe dimension k₂

** See page 8-34 for more built-on accessories for motors

Hollow shaft with shrink disc



| Gearbox | Machine shaft * | | Hollow shaft with shrink disc | | | | | | | Cover size | | |
|---------|-----------------|-----|-------------------------------|-------|-------|----------|-----|-------|-------|------------|----------|----------|
| | d | Fit | i_1 | i_3 | g_2 | k_{10} | l | l_1 | f_5 | g_3 | k_{11} | k_{12} |
| 04 | 25 30 | h6 | 2.5 | 35 | 72 | 147.5 | 142 | 122 | 26 | 79 | 154 | - |
| 05 | 35 | h6 | 4 | 37.5 | 80 | 173.5 | 168 | 148 | 28 | 90 | 179 | - |
| 06 | 40 | h6 | 5 | 44.5 | 90 | 199.5 | 194 | 164 | 30 | 100 | 204 | 205 |
| 07 | 50 | h6 | 5 | 42.5 | 110 | 237.5 | 232 | 192 | 26 | 124 | 244 | 245 |
| 09 | 65 | h6 | 5 | 50 | 141 | 285 | 278 | 228 | 30 | 159 | 287 | 288 |
| 11 | 80 | h6 | 6 | 61 | 170 | 345 | 338 | 238 | 42 | 191 | 349 | 350 |
| 14 | 100 | h6 | 7 | 72 | 215 | 415 | 407 | 307 | 55 | 253 | 421 | 422 |

* Ensure that the strength of the shaft material is adequate in shrink disc designs. When using typical steels (e.g. C45, 42CrMo4), the torques listed in the selection tables can be used without restriction.

When using material that is considerably weaker, please consult with us. Medium surface roughness R_z must not exceed $15 \mu\text{m}$ (turning operation is sufficient).

Dimensions in [mm]

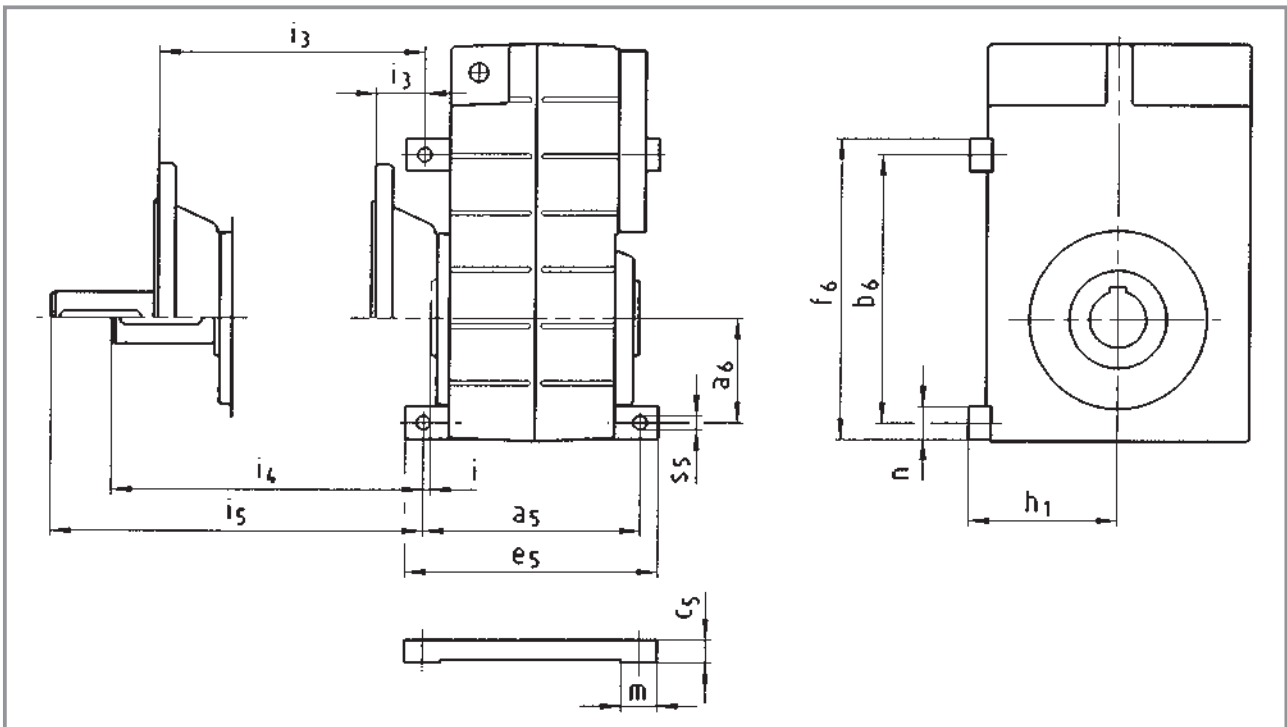
Shrink disc combination options at the drive end (position 1)

| Gearbox | Geared servo motor GFL□□-2 with motor frame size size | | | | | |
|---------|---|-----|------|------|------|-----|
| | 056 | 071 | 080 | 090 | 100 | 112 |
| 04 | | | | | | |
| 05 | | | | | | |
| 06 | ● | ● | ● 1) | ● 1) | | |
| 07 | ● | ● | ● | ● | ● 1) | |
| 09 | | | ● | ● | ● | ● |
| 11 | | | ● | ● | ● | ● |
| 14 | | | | | ● | ● |

1) Without cover
With GFL□□-2 and shrink disc in position 1, terminal box/connector position 4 is not permissible.
With GFL□□-3, all designs are possible.
Dimensions in [mm].



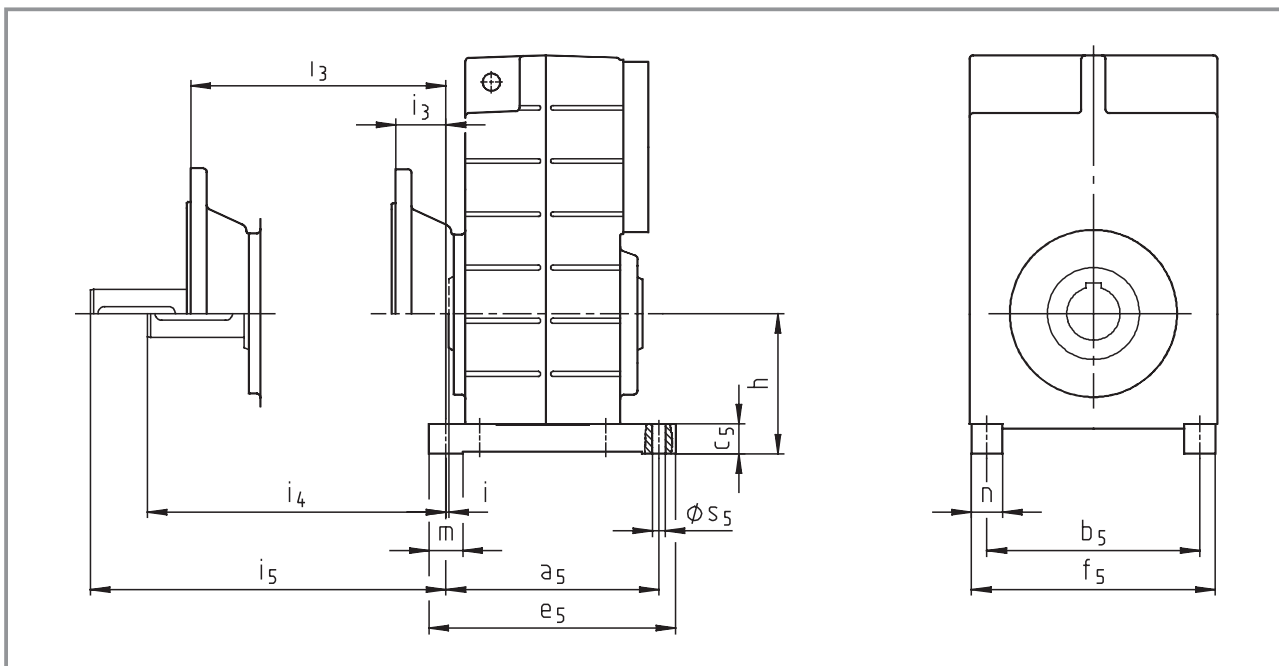
Foot mounting in position 3



| Gearbox size | Gearbox | | | | | | Foot (in position 3) | | | | | | | | | Foot not possible with drive-end version |
|--------------|----------------|----------------|----------|-----------------------|-----------------------|-----------------------|----------------------|----------------|----------------|----------------|----------------|----|----|----------------|-------|--|
| | a ₆ | h ₁ | HQR i | HQK i ₃ | VQR i ₄ | VQK i ₅ | a ₅ | b ₆ | c ₅ | e ₅ | f ₆ | n | m | s ₅ | A/S | |
| 04 | 47 | 90 | 4.5 | 28.5 | 45.5 | 78.5 | 130 | 115 | 18 | 152 | 140 | 25 | 22 | 6.6 | | |
| 05 | 65 | 100 | 2 | 31 | 58 | 91 | 160 | 167 | 21 | 185 | 192 | 25 | 25 | 9 | > 071 | |
| 06 | 80 | 125 | 2 | 39 | 78 | 119 | 175 | 205 | 27 | 205 | 233 | 28 | 30 | 11 | | |
| 07 | 100 | 155 | 3 | 52 | 97 | 152 | 220 | 260 | 31 | 255 | 292 | 32 | 35 | 13.5 | | |
| 09 | 125 | 190 | 3 | 57 | 117 | 177 | 260 | 335 | 36 | 300 | 375 | 40 | 40 | 17.5 | | |
| 11 | 155 | 240 | 3 | 57 | 157 | 217 | 315 | 435 | 48 | 365 | 485 | 50 | 50 | 22 | | |
| 14 | 200 | 295 | 3 | 57 | 197 | 257 | 375 | 540 | 57 | 430 | 600 | 60 | 55 | 26 | | |

Dimensions in [mm]
Connector/terminal box position 3 not permissible.

Foot mounting in position 4



4

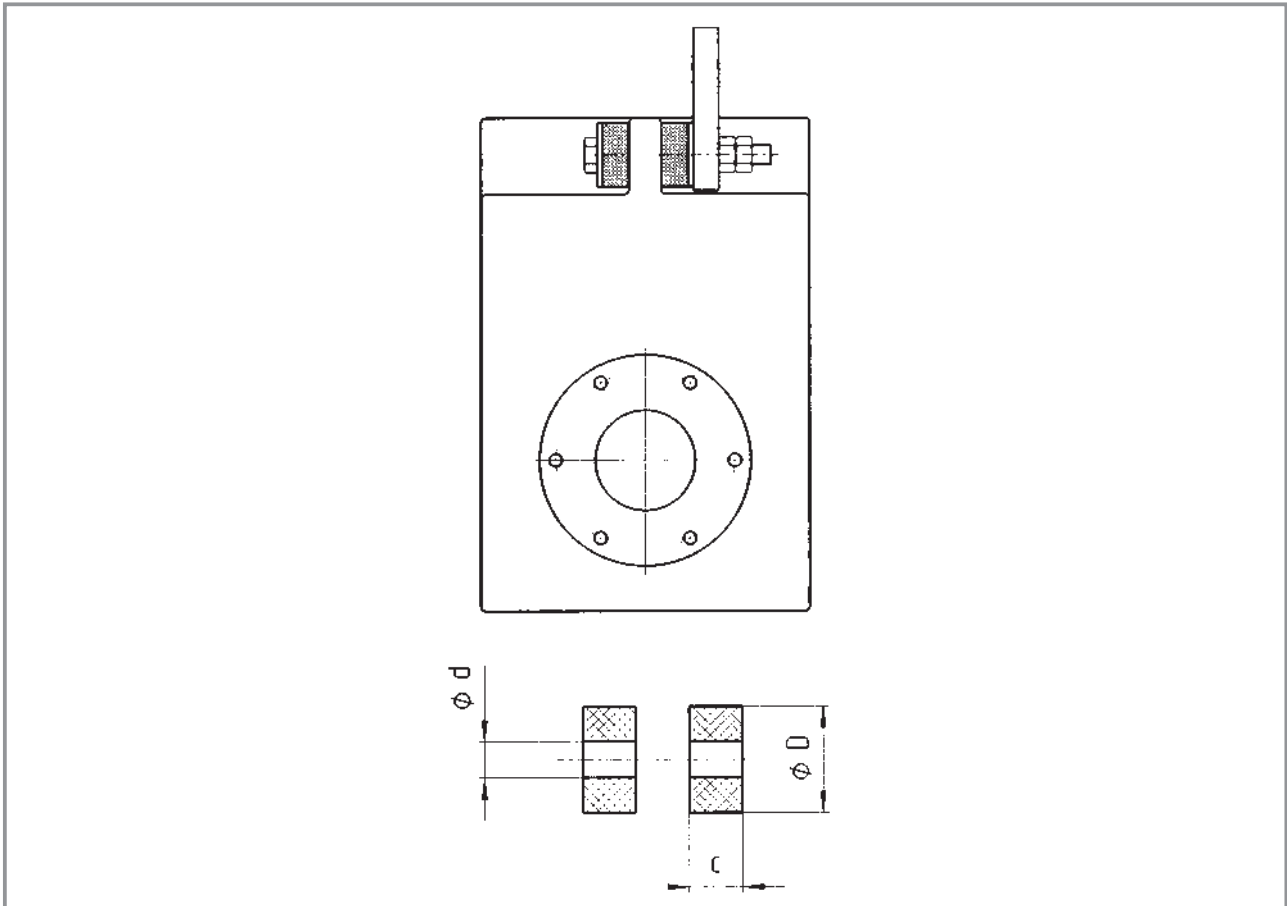
| Gearbox size | Gearbox | | | | | Foot (in position 4) | | | | | | | | |
|--------------|---------|----------|-----------------------|-----------------------|-----------------------|----------------------|----------------|----------------|----------------|----------------|----|----|----------------|--|
| | h | HQR i | HOK i ₃ | VOR i ₄ | VOK i ₅ | a ₅ | b ₅ | c ₅ | e ₅ | f ₅ | n | m | s ₅ | |
| 04 | 85 | 4.5 | 28.5 | 45.5 | 78.5 | 130 | 108 | 18 | 152 | 133 | 25 | 22 | 6.6 | |
| 05 | 95 | 2 | 31 | 58 | 91 | 160 | 140 | 21 | 185 | 165 | 25 | 25 | 9 | |
| 06 | 120 | 2 | 39 | 78 | 119 | 175 | 175 | 27 | 205 | 203 | 28 | 30 | 11 | |
| 07 | 145 | 3 | 52 | 97 | 152 | 220 | 220 | 31 | 255 | 252 | 32 | 35 | 13.5 | |
| 09 | 180 | 3 | 57 | 117 | 177 | 260 | 275 | 36 | 300 | 315 | 40 | 40 | 17.5 | |
| 11 | 224 | 3 | 57 | 157 | 217 | 315 | 340 | 48 | 365 | 390 | 50 | 50 | 22 | |
| 14 | 278 | 3 | 57 | 197 | 257 | 375 | 425 | 57 | 430 | 485 | 60 | 60 | 26 | |

Dimensions in [mm]

Note: With mounting positions E and F, the oil control plug/oil-sight glass are located between the feet in position 4.



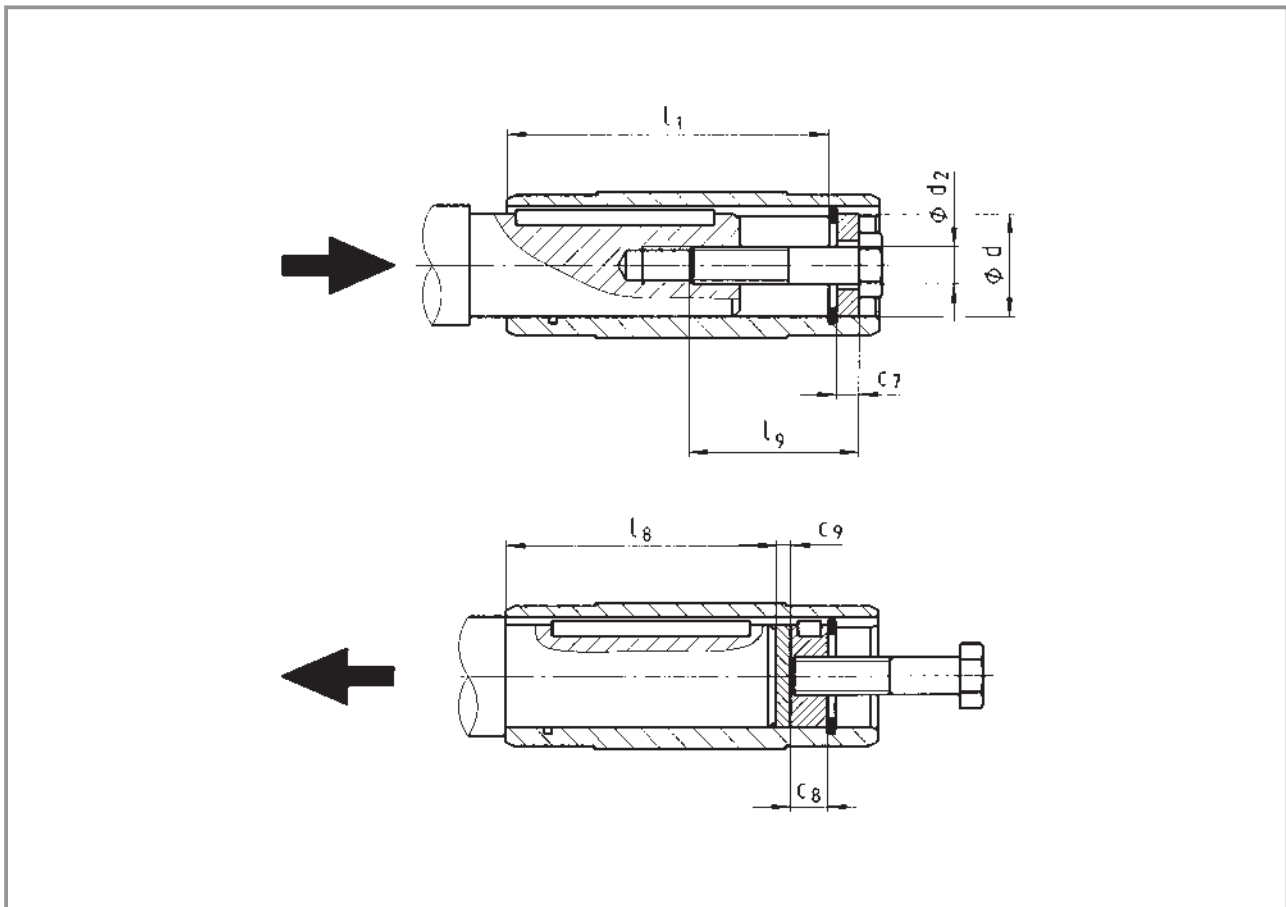
Rubber buffer set



| Gearbox size | d | D | c |
|--------------|----|----|------|
| 04 | 11 | 30 | 14.5 |
| 05 | 11 | 30 | 14.5 |
| 06 | 13 | 40 | 15 |
| 07 | 17 | 50 | 27 |
| 09 | 21 | 60 | 28 |
| 11 | 26 | 72 | 29 |
| 14 | 33 | 92 | 30 |

Dimensions in [mm]

Mounting set for hollow shaft circlip/proposed design for auxiliary tools



| Gearbox size | Hollow shaft (design H) | | | Mounting set for hollow shaft circlip (mounting auxiliary tool) | | | Dismounting auxiliary tool | | Machine shaft max l_8 |
|--------------|-------------------------|-------|-----------|---|----------|----------|----------------------------|-------|-------------------------|
| | l | l_1 | d H7 | d_2 | l_9 | c_7 | c_8 | c_9 | |
| 04 | 115 | 100 | 25 30 | M10 M10 | 40 | 5 6 | 10 | 3 | 85 |
| 05 | 140 | 124 | 30 35 | M10 M12 | 40 50 | 6 7 | 10 12 | 3 | 107 |
| 06 | 160 | 140 | 40 45 | M16 | 60 | 8 9 | 16 | 4 | 118 |
| 07 | 200 | 175 | 50 55 | M16 M20 | 60 80 | 10 11 | 16 20 | 5 | 148 |
| 09 | 240 | 210 | 60 70 | M20 | 80 | 13 14 | 20 | 5 | 182 |
| 11 | 290 | 250 | 70 80 | M20 | 80 | 14 16 | 20 | 6 | 221 |
| 14 | 350 | 305 | 100 | M24 | 100 | 20 | 24 | 8 | 270 |

Dimensions in [mm]





Technical data

Permissible radial and axial forces -

| | |
|-----------------|-----|
| Output | 5-2 |
| Output backlash | 5-4 |
| Ratios | 5-5 |
| Weights | 5-8 |

Selection tables

| | |
|----------------------------------|------|
| Synchronous geared servo motors | 5-9 |
| Naturally ventilated | 5-9 |
| Forced ventilated | 5-15 |
| Asynchronous geared servo motors | 5-18 |
| Naturally ventilated | 5-18 |
| Forced ventilated | 5-23 |

Dimensions

| | |
|---------------------------------------|------|
| Geared servo motors with resolver | 5-28 |
| 2-stage | 5-28 |
| Further dimensions | 5-33 |
| Hollow shaft with shrink disc | 5-33 |
| Gearbox with 2nd output shaft end | 5-33 |
| Hoseproof hollow shaft cover | 5-34 |
| Rubber buffer for torque plate | 5-34 |
| Torque plate at pitch circle | 5-35 |
| Torque plate at housing foot | 5-37 |
| Mounting set for hollow shaft circlip | 5-37 |
| Proposed design for auxiliary tools | 5-37 |

Bevel gearboxes GKR□□

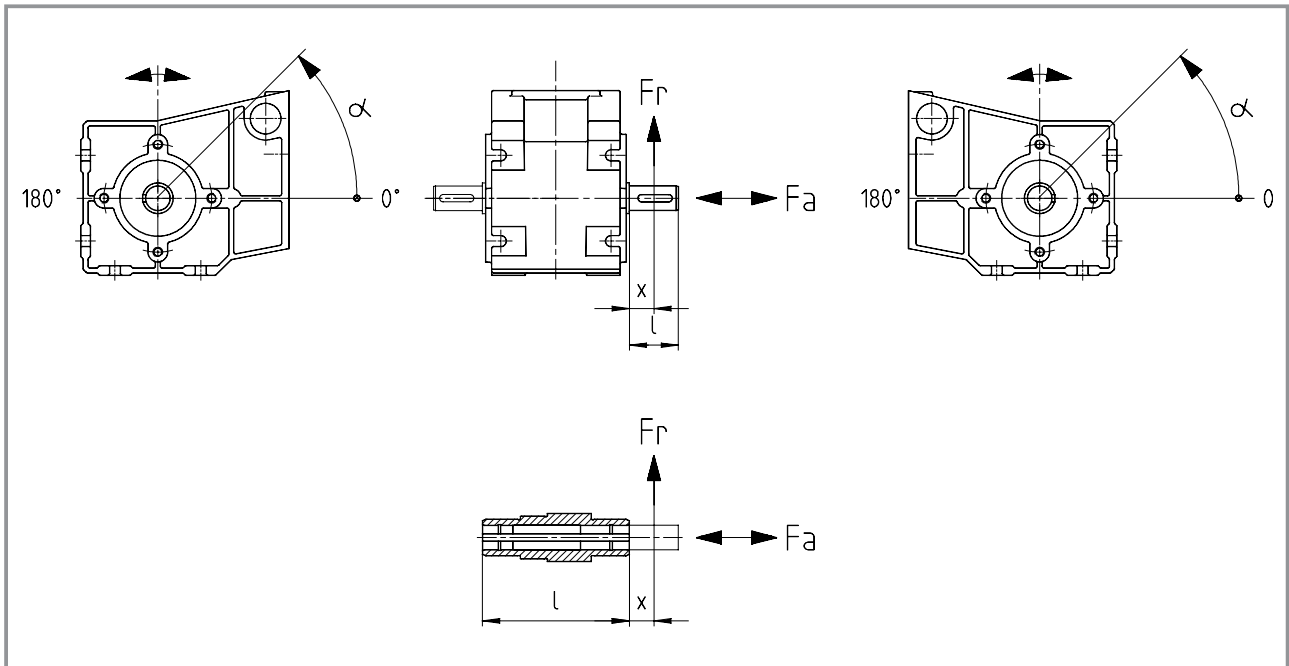
Permissible radial force

$$F_{rperm} = \min(f_w \cdot f_\alpha \cdot F_{rTab}; f_w \cdot F_{rmax})$$

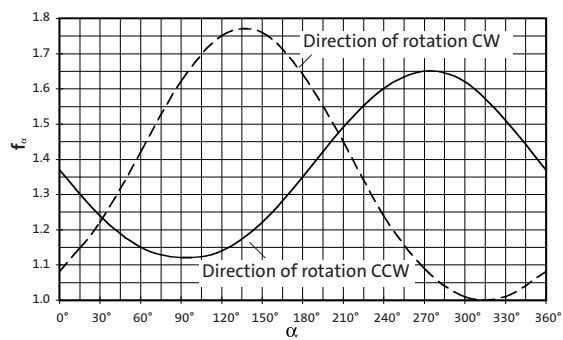
Permissible axial force

$$F_{aperm} = F_{aTab} \quad \text{at } F_r = 0$$

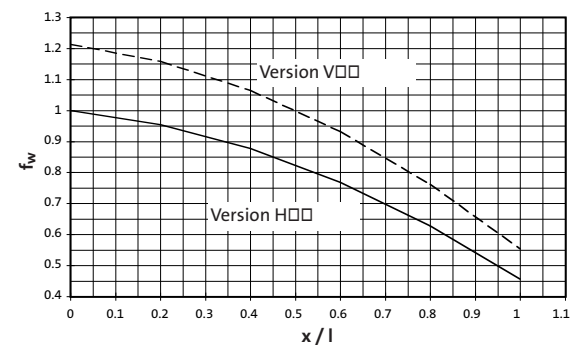
Contact Lenze if F_r and $F_a \neq 0$



f_α Effective direction factor at output shaft



f_w Additional load factor at output shaft



Technical data - Bevel gearboxes

Permissible radial and axial forces - Output



| H□□ | Hollow shaft Application of force F_r : At hollow shaft end face ($x = 0$) F_{aTab} only valid for $F_r = 0$ | | | | | |
|----------------|--|-------------------|-------------------|-------------------|-------------------|-------------------|
| | GKR04 | | GKR05 | | GKR06 | |
| n_2 [rpm] | F_{rTab} [N] | F_{aTab} [N] | F_{rTab} [N] | F_{aTab} [N] | F_{rTab} [N] | F_{aTab} [N] |
| 400 | 2550 | 1275 | 3800 | 1900 | 5000 | 2500 |
| 250 | 3000 | 1500 | 4500 | 2200 | 5200 | 2600 |
| 160 | 3300 | 1650 | 5100 | 2500 | 5500 | 2750 |
| 100 | 3600 | 1800 | 6200 | 3100 | 7000 | 3500 |
| 63 | 3600 | 1800 | 7400 | 3700 | 9000 | 4500 |
| 40 | 3600 | 1800 | 7800 | 3900 | 10000 | 5000 |
| 25 | 3600 | 1800 | 7800 | 3900 | 10000 | 5000 |
| ≤ 16 | 3600 | 1800 | 7800 | 3900 | 10000 | 5000 |
| F_{rmax} | 3600 | – | 7800 | – | 10000 | – |

| V□□ | Solid shaft Application of force F_r : Centre of shaft journal ($x = l/2$) F_{aTab} only valid for $F_r = 0$ | | | | | |
|----------------|--|-------------------|-------------------|-------------------|-------------------|-------------------|
| | GKR04 | | GKR05 | | GKR06 | |
| n_2 [rpm] | F_{rTab} [N] | F_{aTab} [N] | F_{rTab} [N] | F_{aTab} [N] | F_{rTab} [N] | F_{aTab} [N] |
| 400 | 2100 | 1275 | 3000 | 1900 | 4000 | 2500 |
| 250 | 2500 | 1500 | 3600 | 2200 | 4200 | 2600 |
| 160 | 2700 | 1650 | 4500 | 2500 | 4500 | 2750 |
| 100 | 3000 | 1800 | 5000 | 3100 | 5600 | 3500 |
| 63 | 3000 | 1800 | 6000 | 3700 | 7300 | 4500 |
| 40 | 3000 | 1800 | 6500 | 3900 | 8600 | 5000 |
| 25 | 3000 | 1800 | 6500 | 3900 | 9000 | 5000 |
| ≤ 16 | 3000 | 1800 | 6500 | 3900 | 9000 | 5000 |
| F_{rmax} | 3000 | – | 6500 | – | 9000 | – |

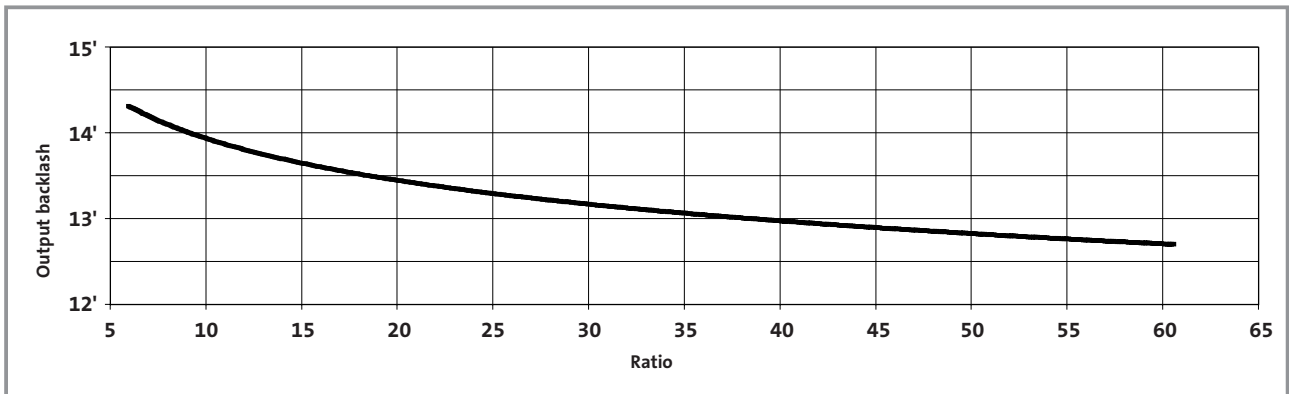
| VAK | Solid shaft Application of force F_r : Centre of shaft journal ($x = l/2$) F_{aTab} only valid for $F_r = 0$ | | | | | |
|----------------|--|-------------------|-------------------|-------------------|-------------------|-------------------|
| | GKR04 | | GKR05 | | GKR06 | |
| n_2 [rpm] | F_{rTab} [N] | F_{aTab} [N] | F_{rTab} [N] | F_{aTab} [N] | F_{rTab} [N] | F_{aTab} [N] |
| 400 | 2100 | 1275 | 5200 | 1900 | 5500 | 2500 |
| 250 | 2500 | 1500 | 6000 | 2200 | 6200 | 2600 |
| 160 | 2700 | 1650 | 6500 | 2500 | 7000 | 2750 |
| 100 | 3000 | 1800 | 6500 | 3100 | 9000 | 3500 |
| 63 | 3000 | 1800 | 6500 | 3700 | 9000 | 4500 |
| 40 | 3000 | 1800 | 6500 | 3900 | 9000 | 5000 |
| 25 | 3000 | 1800 | 6500 | 3900 | 9000 | 5000 |
| ≤ 16 | 3000 | 1800 | 6500 | 3900 | 9000 | 5000 |
| F_{rmax} | 3000 | – | 6500 | – | 9000 | – |

Neither radial nor axial forces are permitted on hollow shafts with shrink discs (S□□).

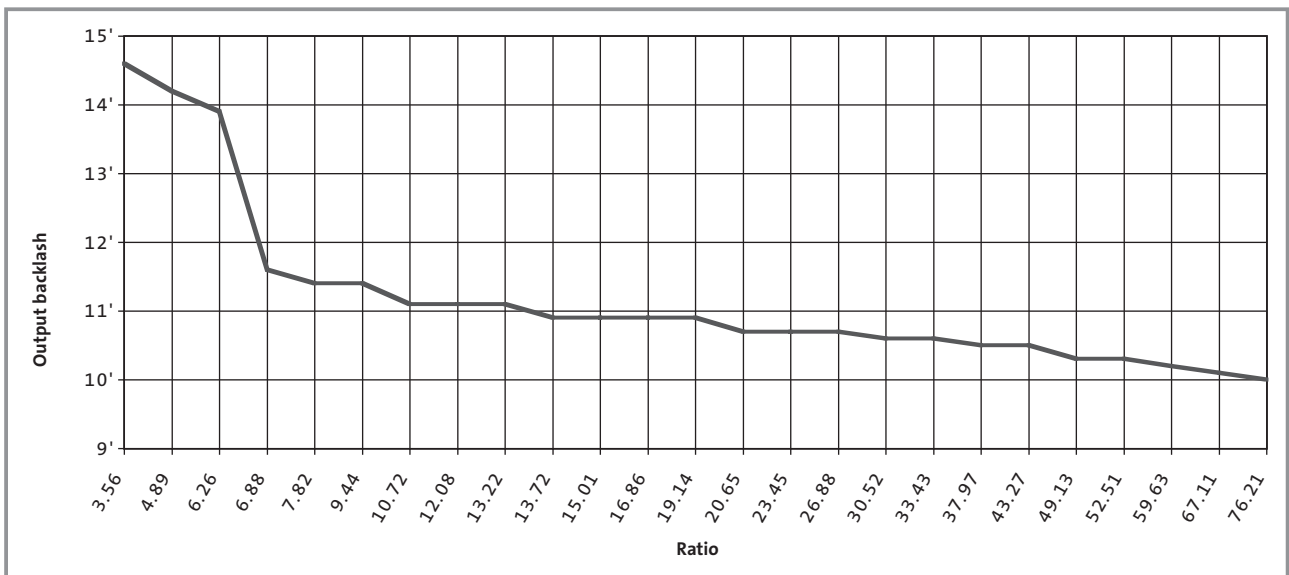
Technical data - Bevel gearboxes

Output backlash in angular minutes

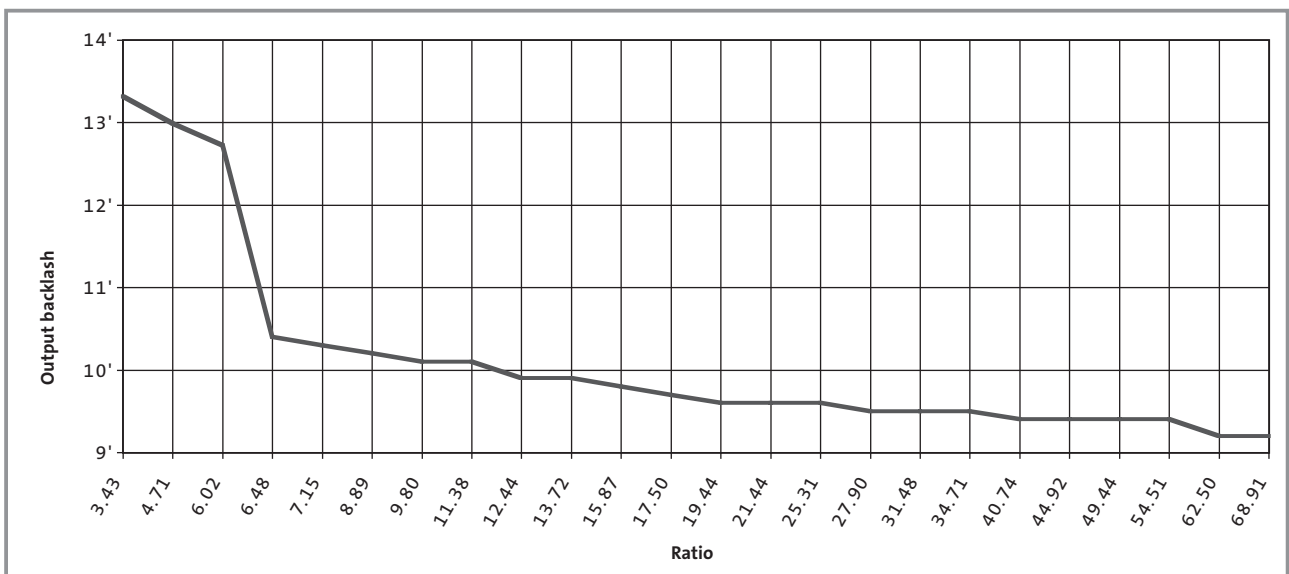
GKR 04-2



GKR 05-2



GKR 06-2





Calculation formula: $i_{exact} = \frac{\text{Numerator}}{\text{Denominator}}$

| Actual ratio | Numerator | Denominator |
|---------------|-----------|-------------|
| GKR 04 | | |
| 5.185 | 1400 | 270 |
| 5.963 | 1610 | 270 |
| 7.111 | 1600 | 225 |
| 8.178 | 1840 | 225 |
| 9.101 | 1720 | 189 |
| 10.466 | 1978 | 189 |
| 11.449 | 2576 | 225 |
| 12.698 | 2400 | 189 |
| 14.603 | 2760 | 189 |
| 15.556 | 2520 | 162 |
| 17.889 | 2898 | 162 |
| 19.556 | 2640 | 135 |
| 22.489 | 3036 | 135 |
| 25.185 | 2720 | 108 |
| 28.963 | 3128 | 108 |
| 31.919 | 3160 | 99 |
| 36.707 | 3634 | 99 |
| 40.000 | 3240 | 81 |
| 46.000 | 3726 | 81 |
| 52.698 | 3320 | 63 |
| 60.603 | 3818 | 63 |

Technical data - Bevel gearboxes

Ratios

Calculation formula: $i_{exact} = \frac{\text{Numerator}}{\text{Denominator}}$

| Actual ratio | Numerator | Denominator |
|---------------|-----------|-------------|
| GKR 05 | | |
| 3.565 | 1925 | 540 |
| 4.889 | 2200 | 450 |
| 6.257 | 2365 | 378 |
| 6.883 | 2065 | 300 |
| 7.817 | 2345 | 300 |
| 9.440 | 2360 | 250 |
| 10.720 | 2680 | 250 |
| 12.081 | 2537 | 210 |
| 13.216 | 3304 | 250 |
| 13.719 | 2881 | 210 |
| 15.008 | 3752 | 250 |
| 16.857 | 3540 | 210 |
| 19.143 | 4020 | 210 |
| 20.650 | 3717 | 180 |
| 23.450 | 4221 | 180 |
| 26.878 | 4838 | 180 |
| 30.522 | 5494 | 180 |
| 33.433 | 4012 | 120 |
| 37.967 | 4556 | 120 |
| 43.267 | 5192 | 120 |
| 49.133 | 5896 | 120 |
| 52.510 | 5251 | 100 |
| 59.630 | 5963 | 100 |
| 67.113 | 5369 | 80 |
| 76.213 | 6097 | 80 |



Calculation formula: $i_{exact} = \frac{\text{Numerator}}{\text{Denominator}}$

| Actual ratio | Numerator | Denominator |
|---------------|-----------|-------------|
| GKR 06 | | |
| 3.431 | 1750 | 510 |
| 4.706 | 2000 | 425 |
| 6.022 | 2150 | 357 |
| 6.481 | 1750 | 270 |
| 7.146 | 1715 | 240 |
| 8.889 | 2000 | 225 |
| 9.800 | 1960 | 200 |
| 11.376 | 2150 | 189 |
| 12.444 | 2800 | 225 |
| 13.720 | 2744 | 200 |
| 15.873 | 3000 | 189 |
| 17.500 | 2940 | 168 |
| 19.444 | 3150 | 162 |
| 21.438 | 3087 | 144 |
| 25.309 | 4100 | 162 |
| 27.903 | 4018 | 144 |
| 31.481 | 3400 | 108 |
| 34.708 | 3332 | 96 |
| 40.741 | 4400 | 108 |
| 44.917 | 4312 | 96 |
| 49.444 | 4450 | 90 |
| 54.513 | 4361 | 80 |
| 62.500 | 4500 | 72 |
| 68.906 | 4410 | 64 |

Bevel gearboxes GKR□□-2

| Gearbox size | naturally ventilated | | | | | | | | | |
|--------------|--|------------|------------|------------|------------|---|------------|------------|------------|--|
| | GKR□□-2S HAR/HBR with motor frame size (synchronous) | | | | | GKR□□-2A HAR/HBR with motor frame size (asynchronous) | | | | |
| | 056 C23 | 056 C33 | 071 C03 | 071 C13 | 071 C33 | 056 C22 | 071 C22 | 080 C22 | 090 C22 | |
| 04 | 10 | 11 | 14 | 16 | 18 | 11 | 16 | | | |
| 05 | 15 | 16 | 18 | 20 | 20 | 16 | 20 | 26 | | |
| 06 | 23 | 24 | 26 | 28 | 30 | 24 | 28 | 34 | 42 | |

Additional weights

At the drive end

| Synchronous | | | | | Asynchronous | | | | |
|-------------------|------------|------------|------------|------------|--------------|------------|------------|------------|--|
| 056 C23 | 056 C33 | 071 C03 | 071 C13 | 071 C33 | 056 C22 | 071 C22 | 080 C22 | 090 C22 | |
| forced ventilated | | | | | | | | | |
| – | – | 1.3 | 1.3 | 1.3 | – | 1.6 | 1.9 | 2.6 | |
| Brake | | | | | | | | | |
| 0.9 | 0.9 | 1.4 | 1.4 | 1.4 | 0.9 | 1.4 | 1.5 | 2.4 | |

At the non-drive end

| Gearbox size | Solid shaft V□□ | 2nd output shaft end V□□ | Hollow shaft with shrink disc S□□ | Flange □□K | Torque plate Pitch circle | Torque plate Housing foot |
|--------------|--------------------|-----------------------------|--------------------------------------|---------------|------------------------------|------------------------------|
| 04 | 0.3 | 0.1 | 0.3 | 0.5 | 0.4 | - |
| 05 | 1.0 | 0.3 | 0.8 | 1.0 | 1.3 | 2.0 |
| 06 | 1.7 | 0.5 | 1.0 | 1.0 | 2.1 | 3.7 |

Weights in [kg] with oil capacity for mounting position A. All data is approximate

Selection tables - Bevel gearboxes

Naturally ventilated synchronous geared servo motors



| M ₂ [Nm] | n _{2 trans} [rpm] | c | i | M _{2 max} short-time on geared motor at | | | | M _{2 Gr} gearbox c=1 n ₁ ≤ 1400 rpm [Nm] | n _{2 therm} [rpm] | J _{GM} referred to motor shaft [kgm ²] | Bevel geared servo motor Dimensions on Page 5-28 |
|------------------------|-------------------------------|-----|--------|--|-------------|----------------------------|-------------|---|-------------------------------|--|---|
| | | | | 8 kHz | | 16 kHz | | | | | |
| | | | | M _{2 max} [Nm] | Type EVS | M _{2 max} [Nm] | Type EVS | | | | |
| 13 | 733 | 3.7 | 5.185 | 23 | 9322 | 26 | 9323 | 69 | 657 | 2.21E-04 | GKR04 - 2S □□□ 056C23 MDSKS□□ 056-23 190 |
| 15 | 637 | 3.3 | 5.963 | 26 | 9322 | 30 | 9323 | 72 | 562 | 2.12E-04 | GKR04 - 2S □□□ 056C23 MDSKS□□ 056-23 190 |
| 19 | 534 | 3.0 | 7.111 | 31 | 9322 | 36 | 9323 | 78 | 514 | 1.85E-04 | GKR04 - 2S □□□ 056C23 MDSKS□□ 056-23 190 |
| 21 | 465 | 2.7 | 8.178 | 36 | 9322 | 42 | 9323 | 81 | 440 | 1.81E-04 | GKR04 - 2S □□□ 056C23 MDSKS□□ 056-23 190 |
| 24 | 418 | 2.6 | 9.101 | 40 | 9322 | 46 | 9323 | 84 | 418 | 4.67E-04 | GKR04 - 2S □□□ 056C23 MDSKS□□ 056-23 190 |
| 27 | 363 | 2.3 | 10.466 | 46 | 9322 | 53 | 9323 | 89 | 363 | 1.70E-04 | GKR04 - 2S □□□ 056C23 MDSKS□□ 056-23 190 |
| 30 | 332 | 2.2 | 11.449 | 50 | 9322 | 58 | 9323 | 90 | 332 | 1.66E-04 | GKR04 - 2S □□□ 056C23 MDSKS□□ 056-23 190 |
| 33 | 299 | 2.0 | 12.698 | 56 | 9322 | 65 | 9323 | 90 | 299 | 3.39E-04 | GKR04 - 2S □□□ 056C23 MDSKS□□ 056-23 190 |
| 39 | 260 | 1.7 | 14.603 | 64 | 9322 | 74 | 9323 | 90 | 260 | 1.58E-04 | GKR04 - 2S □□□ 056C23 MDSKS□□ 056-23 190 |
| 41 | 244 | 1.6 | 15.556 | 68 | 9322 | 79 | 9323 | 90 | 244 | 2.87E-04 | GKR04 - 2S □□□ 056C23 MDSKS□□ 056-23 190 |
| 47 | 212 | 1.4 | 17.889 | 79 | 9322 | 91 | 9323 | 90 | 212 | 1.54E-04 | GKR04 - 2S □□□ 056C23 MDSKS□□ 056-23 190 |
| 52 | 194 | 1.3 | 19.556 | 86 | 9322 | 100 | 9323 | 90 | 194 | 1.50E-04 | GKR04 - 2S □□□ 056C23 MDSKS□□ 056-23 190 |
| 60 | 169 | 1.1 | 22.489 | 99 | 9322 | 115 | 9323 | 90 | 169 | 1.49E-04 | GKR04 - 2S □□□ 056C23 MDSKS□□ 056-23 190 |
| 67 | 151 | 1.1 | 25.185 | 111 | 9322 | 128 | 9323 | 90 | 151 | 1.46E-04 | GKR04 - 2S □□□ 056C23 MDSKS□□ 056-23 190 |
| 20 | 771 | 2.4 | 5.185 | 34 | 9323 | 44 | 9324 | 69 | 605 | 2.81E-04 | GKR04 - 2S □□□ 056C33 MDSKS□□ 056-33 200 |
| 23 | 671 | 2.2 | 5.963 | 39 | 9323 | 51 | 9324 | 72 | 516 | 2.72E-04 | GKR04 - 2S □□□ 056C33 MDSKS□□ 056-33 200 |
| 28 | 563 | 2.0 | 7.111 | 47 | 9323 | 61 | 9324 | 78 | 477 | 2.45E-04 | GKR04 - 2S □□□ 056C33 MDSKS□□ 056-33 200 |
| 32 | 489 | 1.8 | 8.178 | 54 | 9323 | 70 | 9324 | 81 | 395 | 2.41E-04 | GKR04 - 2S □□□ 056C33 MDSKS□□ 056-33 200 |
| 36 | 440 | 1.7 | 9.101 | 60 | 9323 | 78 | 9324 | 84 | 404 | 5.27E-04 | GKR04 - 2S □□□ 056C33 MDSKS□□ 056-33 200 |
| 42 | 382 | 1.5 | 10.466 | 68 | 9323 | 89 | 9324 | 89 | 335 | 2.30E-04 | GKR04 - 2S □□□ 056C33 MDSKS□□ 056-33 200 |
| 45 | 349 | 1.4 | 11.449 | 75 | 9323 | 98 | 9324 | 90 | 310 | 2.26E-04 | GKR04 - 2S □□□ 056C33 MDSKS□□ 056-33 200 |
| 51 | 315 | 1.3 | 12.698 | 83 | 9323 | 108 | 9324 | 90 | 307 | 3.99E-04 | GKR04 - 2S □□□ 056C33 MDSKS□□ 056-33 200 |
| 58 | 274 | 1.1 | 14.603 | 96 | 9323 | 124 | 9324 | 90 | 254 | 2.18E-04 | GKR04 - 2S □□□ 056C33 MDSKS□□ 056-33 200 |
| 62 | 257 | 1.0 | 15.556 | 102 | 9323 | 132 | 9324 | 90 | 257 | 3.47E-04 | GKR04 - 2S □□□ 056C33 MDSKS□□ 056-33 200 |
| 28 | 656 | 1.9 | 5.185 | 40 | 9323 | 52 | 9324 | 69 | 564 | 6.81E-04 | GKR04 - 2S □□□ 071C03 MDSKS□□ 071-03 170 |
| 32 | 570 | 1.7 | 5.963 | 45 | 9323 | 60 | 9324 | 72 | 466 | 6.72E-04 | GKR04 - 2S □□□ 071C03 MDSKS□□ 071-03 170 |
| 38 | 478 | 1.5 | 7.111 | 54 | 9323 | 72 | 9324 | 78 | 422 | 6.45E-04 | GKR04 - 2S □□□ 071C03 MDSKS□□ 071-03 170 |
| 44 | 416 | 1.4 | 8.178 | 62 | 9323 | 82 | 9324 | 81 | 352 | 6.41E-04 | GKR04 - 2S □□□ 071C03 MDSKS□□ 071-03 170 |
| 49 | 374 | 1.3 | 9.101 | 69 | 9323 | 92 | 9324 | 84 | 358 | 9.27E-04 | GKR04 - 2S □□□ 071C03 MDSKS□□ 071-03 170 |
| 57 | 325 | 1.2 | 10.466 | 80 | 9323 | 105 | 9324 | 89 | 298 | 6.30E-04 | GKR04 - 2S □□□ 071C03 MDSKS□□ 071-03 170 |
| 62 | 297 | 1.1 | 11.449 | 87 | 9323 | 115 | 9324 | 90 | 278 | 6.26E-04 | GKR04 - 2S □□□ 071C03 MDSKS□□ 071-03 170 |
| 41 | 714 | 1.2 | 5.185 | 61 | 9324 | 85 | 9325 | 69 | 457 | 8.81E-04 | GKR04 - 2S □□□ 071C13 MDSKS□□ 071-13 185 |
| 47 | 621 | 1.1 | 5.963 | 71 | 9324 | 97 | 9325 | 72 | 381 | 8.72E-04 | GKR04 - 2S □□□ 071C13 MDSKS□□ 071-13 185 |
| 56 | 520 | 1.0 | 7.111 | 84 | 9324 | 116 | 9325 | 78 | 358 | 8.45E-04 | GKR04 - 2S □□□ 071C13 MDSKS□□ 071-13 185 |

Observe the notes for thermal dimensioning.

Selection tables - Bevel gearboxes

Naturally ventilated synchronous geared servo motors

| M ₂ [Nm] | n ₂ trans [rpm] | c | i | M ₂ max short-time on geared motor at | | | | M ₂ Gr gearbox c=1 n ₁ ≤ 1400 rpm [Nm] | n ₂ therm [rpm] | J _{GM} referred to motor shaft [kgm ²] | Bevel geared servo motor Dimensions on Page 5-28 |
|------------------------|-------------------------------|-----|--------|---|-------------|----------------------------|-------------|--|-------------------------------|---|---|
| | | | | 8 kHz | | 16 kHz | | | | | |
| | | | | M ₂ max [Nm] | Type EVS | M ₂ max [Nm] | Type EVS | | | | |
| 16 | 607 | 5.5 | 6.257 | 28 | 9322 | 32 | 9323 | 125 | 607 | 3.19E-04 | GKR05 - 2S □□□ 056C23 MDSKS□□ 056-23 190 |
| 31 | 315 | 4.8 | 12.081 | 53 | 9322 | 62 | 9323 | 208 | 315 | 2.42E-04 | GKR05 - 2S □□□ 056C23 MDSKS□□ 056-23 190 |
| 34 | 288 | 4.5 | 13.216 | 58 | 9322 | 67 | 9323 | 214 | 288 | 2.27E-04 | GKR05 - 2S □□□ 056C23 MDSKS□□ 056-23 190 |
| 35 | 277 | 4.4 | 13.719 | 60 | 9322 | 70 | 9323 | 217 | 274 | 2.34E-04 | GKR05 - 2S □□□ 056C23 MDSKS□□ 056-23 190 |
| 39 | 253 | 4.1 | 15.008 | 66 | 9322 | 76 | 9323 | 223 | 253 | 2.20E-04 | GKR05 - 2S □□□ 056C23 MDSKS□□ 056-23 190 |
| 43 | 225 | 3.9 | 16.857 | 74 | 9322 | 86 | 9323 | 240 | 225 | 2.00E-04 | GKR05 - 2S □□□ 056C23 MDSKS□□ 056-23 190 |
| 50 | 199 | 3.5 | 19.143 | 84 | 9322 | 98 | 9323 | 240 | 199 | 1.95E-04 | GKR05 - 2S □□□ 056C23 MDSKS□□ 056-23 190 |
| 54 | 184 | 3.2 | 20.650 | 91 | 9322 | 105 | 9323 | 240 | 184 | 1.84E-04 | GKR05 - 2S □□□ 056C23 MDSKS□□ 056-23 190 |
| 61 | 162 | 2.8 | 23.450 | 103 | 9322 | 119 | 9323 | 240 | 162 | 1.81E-04 | GKR05 - 2S □□□ 056C23 MDSKS□□ 056-23 190 |
| 70 | 141 | 2.8 | 26.878 | 118 | 9322 | 137 | 9323 | 240 | 141 | 1.67E-04 | GKR05 - 2S □□□ 056C23 MDSKS□□ 056-23 190 |
| 80 | 125 | 2.5 | 30.522 | 134 | 9322 | 155 | 9323 | 240 | 125 | 1.65E-04 | GKR05 - 2S □□□ 056C23 MDSKS□□ 056-23 190 |
| 88 | 114 | 2.2 | 33.433 | 147 | 9322 | 170 | 9323 | 240 | 114 | 1.59E-04 | GKR05 - 2S □□□ 056C23 MDSKS□□ 056-23 190 |
| 100 | 100 | 2.0 | 37.967 | 167 | 9322 | 193 | 9323 | 240 | 100 | 1.58E-04 | GKR05 - 2S □□□ 056C23 MDSKS□□ 056-23 190 |
| 114 | 88 | 1.9 | 43.267 | 190 | 9322 | 220 | 9323 | 240 | 88 | 1.52E-04 | GKR05 - 2S □□□ 056C23 MDSKS□□ 056-23 190 |
| 130 | 77 | 1.7 | 49.133 | 216 | 9322 | 250 | 9323 | 240 | 77 | 1.51E-04 | GKR05 - 2S □□□ 056C23 MDSKS□□ 056-23 190 |
| 139 | 72 | 1.6 | 52.510 | 231 | 9322 | 267 | 9323 | 240 | 72 | 1.49E-04 | GKR05 - 2S □□□ 056C23 MDSKS□□ 056-23 190 |
| 158 | 64 | 1.4 | 59.630 | 262 | 9322 | 304 | 9323 | 240 | 64 | 1.48E-04 | GKR05 - 2S □□□ 056C23 MDSKS□□ 056-23 190 |
| 24 | 639 | 3.6 | 6.257 | 41 | 9323 | 53 | 9324 | 125 | 581 | 3.79E-04 | GKR05 - 2S □□□ 056C33 MDSKS□□ 056-33 200 |
| 47 | 331 | 3.1 | 12.081 | 79 | 9323 | 103 | 9324 | 208 | 293 | 3.02E-04 | GKR05 - 2S □□□ 056C33 MDSKS□□ 056-33 200 |
| 52 | 303 | 2.9 | 13.216 | 86 | 9323 | 113 | 9324 | 214 | 275 | 2.87E-04 | GKR05 - 2S □□□ 056C33 MDSKS□□ 056-33 200 |
| 54 | 292 | 2.9 | 13.719 | 90 | 9323 | 117 | 9324 | 217 | 254 | 2.94E-04 | GKR05 - 2S □□□ 056C33 MDSKS□□ 056-33 200 |
| 59 | 267 | 2.7 | 15.008 | 98 | 9323 | 128 | 9324 | 223 | 238 | 2.80E-04 | GKR05 - 2S □□□ 056C33 MDSKS□□ 056-33 200 |
| 66 | 237 | 2.6 | 16.857 | 110 | 9323 | 144 | 9324 | 240 | 237 | 2.60E-04 | GKR05 - 2S □□□ 056C33 MDSKS□□ 056-33 200 |
| 75 | 209 | 2.3 | 19.143 | 125 | 9323 | 163 | 9324 | 240 | 209 | 2.55E-04 | GKR05 - 2S □□□ 056C33 MDSKS□□ 056-33 200 |
| 81 | 194 | 2.1 | 20.650 | 135 | 9323 | 176 | 9324 | 240 | 194 | 2.44E-04 | GKR05 - 2S □□□ 056C33 MDSKS□□ 056-33 200 |
| 93 | 171 | 1.9 | 23.450 | 153 | 9323 | 200 | 9324 | 240 | 171 | 2.41E-04 | GKR05 - 2S □□□ 056C33 MDSKS□□ 056-33 200 |
| 106 | 149 | 1.8 | 26.878 | 176 | 9323 | 229 | 9324 | 240 | 149 | 2.27E-04 | GKR05 - 2S □□□ 056C33 MDSKS□□ 056-33 200 |
| 121 | 131 | 1.6 | 30.522 | 200 | 9323 | 260 | 9324 | 240 | 131 | 2.25E-04 | GKR05 - 2S □□□ 056C33 MDSKS□□ 056-33 200 |
| 133 | 120 | 1.5 | 33.433 | 219 | 9323 | 285 | 9324 | 240 | 120 | 2.19E-04 | GKR05 - 2S □□□ 056C33 MDSKS□□ 056-33 200 |
| 151 | 105 | 1.3 | 37.967 | 248 | 9323 | 323 | 9324 | 240 | 105 | 2.18E-04 | GKR05 - 2S □□□ 056C33 MDSKS□□ 056-33 200 |
| 172 | 92 | 1.3 | 43.267 | 283 | 9323 | 360 | 9324 | 240 | 92 | 2.12E-04 | GKR05 - 2S □□□ 056C33 MDSKS□□ 056-33 200 |
| 196 | 81 | 1.1 | 49.133 | 321 | 9323 | 360 | 9324 | 240 | 81 | 2.11E-04 | GKR05 - 2S □□□ 056C33 MDSKS□□ 056-33 200 |
| 209 | 76 | 1.0 | 52.510 | 343 | 9323 | 360 | 9324 | 240 | 76 | 2.09E-04 | GKR05 - 2S □□□ 056C33 MDSKS□□ 056-33 200 |
| 18 | 954 | 5.4 | 3.565 | 27 | 9323 | 36 | 9324 | 138 | 860 | 1.10E-03 | GKR05 - 2S □□□ 071C03 MDSKS□□ 071-03 170 |

Observe the notes for thermal dimensioning.

Selection tables - Bevel gearboxes

Naturally ventilated synchronous geared servo motors



| M ₂ [Nm] | n ₂ trans [rpm] | c | i | M ₂ max short-time on geared motor at | | | | M ₂ Gr gearbox c=1 n ₁ ≤ 1400 rpm [Nm] | n ₂ therm [rpm] | J _{GM} referred to motor shaft [kgm ²] | Bevel geared servo motor Dimensions on Page 5-28 |
|------------------------|-------------------------------|-----|--------|---|-------------|----------------------------|-------------|--|-------------------------------|---|---|
| | | | | 8 kHz | | 16 kHz | | | | | |
| | | | | M ₂ max [Nm] | Type EVS | M ₂ max [Nm] | Type EVS | | | | |
| 26 | 695 | 4.2 | 4.889 | 37 | 9323 | 49 | 9324 | 147 | 695 | 8.79E-04 | GKR05 - 2S □□□ 071C03 MDSKS□□ 071-03 170 |
| 33 | 543 | 3.5 | 6.257 | 48 | 9323 | 63 | 9324 | 156 | 543 | 7.79E-04 | GKR05 - 2S □□□ 071C03 MDSKS□□ 071-03 170 |
| 36 | 494 | 3.7 | 6.883 | 52 | 9323 | 69 | 9324 | 179 | 412 | 8.57E-04 | GKR05 - 2S □□□ 071C03 MDSKS□□ 071-03 170 |
| 41 | 435 | 3.4 | 7.817 | 60 | 9323 | 79 | 9324 | 187 | 357 | 8.32E-04 | GKR05 - 2S □□□ 071C03 MDSKS□□ 071-03 170 |
| 50 | 360 | 2.8 | 9.440 | 72 | 9323 | 95 | 9324 | 191 | 336 | 7.53E-04 | GKR05 - 2S □□□ 071C03 MDSKS□□ 071-03 170 |
| 57 | 317 | 2.7 | 10.720 | 82 | 9323 | 108 | 9324 | 204 | 292 | 7.40E-04 | GKR05 - 2S □□□ 071C03 MDSKS□□ 071-03 170 |
| 64 | 281 | 2.4 | 12.081 | 92 | 9323 | 122 | 9324 | 208 | 280 | 7.02E-04 | GKR05 - 2S □□□ 071C03 MDSKS□□ 071-03 170 |
| 71 | 257 | 2.3 | 13.216 | 101 | 9323 | 133 | 9324 | 214 | 257 | 6.87E-04 | GKR05 - 2S □□□ 071C03 MDSKS□□ 071-03 170 |
| 73 | 248 | 2.2 | 13.719 | 104 | 9323 | 138 | 9324 | 217 | 242 | 6.94E-04 | GKR05 - 2S □□□ 071C03 MDSKS□□ 071-03 170 |
| 80 | 227 | 2.1 | 15.008 | 114 | 9323 | 151 | 9324 | 223 | 227 | 6.80E-04 | GKR05 - 2S □□□ 071C03 MDSKS□□ 071-03 170 |
| 90 | 202 | 2.0 | 16.857 | 128 | 9323 | 170 | 9324 | 240 | 202 | 6.60E-04 | GKR05 - 2S □□□ 071C03 MDSKS□□ 071-03 170 |
| 103 | 178 | 1.8 | 19.143 | 146 | 9323 | 193 | 9324 | 240 | 178 | 6.55E-04 | GKR05 - 2S □□□ 071C03 MDSKS□□ 071-03 170 |
| 111 | 165 | 1.6 | 20.650 | 157 | 9323 | 208 | 9324 | 240 | 165 | 6.44E-04 | GKR05 - 2S □□□ 071C03 MDSKS□□ 071-03 170 |
| 126 | 145 | 1.4 | 23.450 | 179 | 9323 | 236 | 9324 | 240 | 145 | 6.41E-04 | GKR05 - 2S □□□ 071C03 MDSKS□□ 071-03 170 |
| 145 | 127 | 1.4 | 26.878 | 205 | 9323 | 270 | 9324 | 240 | 127 | 6.27E-04 | GKR05 - 2S □□□ 071C03 MDSKS□□ 071-03 170 |
| 165 | 111 | 1.3 | 30.522 | 232 | 9323 | 307 | 9324 | 240 | 111 | 6.25E-04 | GKR05 - 2S □□□ 071C03 MDSKS□□ 071-03 170 |
| 181 | 102 | 1.1 | 33.433 | 254 | 9323 | 336 | 9324 | 240 | 102 | 6.19E-04 | GKR05 - 2S □□□ 071C03 MDSKS□□ 071-03 170 |
| 206 | 90 | 1.0 | 37.967 | 289 | 9323 | 360 | 9324 | 240 | 90 | 6.18E-04 | GKR05 - 2S □□□ 071C03 MDSKS□□ 071-03 170 |
| 27 | 1038 | 3.6 | 3.565 | 42 | 9324 | 58 | 9325 | 138 | 795 | 1.30E-03 | GKR05 - 2S □□□ 071C13 MDSKS□□ 071-13 185 |
| 38 | 757 | 2.8 | 4.889 | 58 | 9324 | 80 | 9325 | 147 | 647 | 1.08E-03 | GKR05 - 2S □□□ 071C13 MDSKS□□ 071-13 185 |
| 49 | 591 | 2.3 | 6.257 | 74 | 9324 | 102 | 9325 | 156 | 537 | 9.79E-04 | GKR05 - 2S □□□ 071C13 MDSKS□□ 071-13 185 |
| 53 | 538 | 2.4 | 6.883 | 81 | 9324 | 112 | 9325 | 179 | 379 | 1.06E-03 | GKR05 - 2S □□□ 071C13 MDSKS□□ 071-13 185 |
| 61 | 473 | 2.2 | 7.817 | 93 | 9324 | 128 | 9325 | 187 | 328 | 1.03E-03 | GKR05 - 2S □□□ 071C13 MDSKS□□ 071-13 185 |
| 74 | 392 | 1.9 | 9.440 | 112 | 9324 | 154 | 9325 | 191 | 304 | 9.53E-04 | GKR05 - 2S □□□ 071C13 MDSKS□□ 071-13 185 |
| 84 | 345 | 1.8 | 10.720 | 127 | 9324 | 175 | 9325 | 204 | 259 | 9.40E-04 | GKR05 - 2S □□□ 071C13 MDSKS□□ 071-13 185 |
| 95 | 306 | 1.6 | 12.081 | 143 | 9324 | 197 | 9325 | 208 | 243 | 9.02E-04 | GKR05 - 2S □□□ 071C13 MDSKS□□ 071-13 185 |
| 104 | 280 | 1.5 | 13.216 | 156 | 9324 | 216 | 9325 | 214 | 226 | 8.87E-04 | GKR05 - 2S □□□ 071C13 MDSKS□□ 071-13 185 |
| 108 | 270 | 1.5 | 13.719 | 162 | 9324 | 224 | 9325 | 217 | 205 | 8.94E-04 | GKR05 - 2S □□□ 071C13 MDSKS□□ 071-13 185 |
| 118 | 247 | 1.4 | 15.008 | 178 | 9324 | 245 | 9325 | 223 | 191 | 8.80E-04 | GKR05 - 2S □□□ 071C13 MDSKS□□ 071-13 185 |
| 132 | 219 | 1.3 | 16.857 | 199 | 9324 | 275 | 9325 | 240 | 197 | 8.60E-04 | GKR05 - 2S □□□ 071C13 MDSKS□□ 071-13 185 |
| 151 | 193 | 1.2 | 19.143 | 226 | 9324 | 312 | 9325 | 240 | 164 | 8.55E-04 | GKR05 - 2S □□□ 071C13 MDSKS□□ 071-13 185 |
| 163 | 179 | 1.1 | 20.650 | 244 | 9324 | 337 | 9325 | 240 | 168 | 8.44E-04 | GKR05 - 2S □□□ 071C13 MDSKS□□ 071-13 185 |
| 41 | 1010 | 2.5 | 3.565 | 81 | 9325 | 61 | 9325 | 138 | 734 | 1.50E-03 | GKR05 - 2S □□□ 071C33 MDSKS□□ 071-33 180 |
| 57 | 736 | 1.9 | 4.889 | 111 | 9325 | 83 | 9325 | 147 | 592 | 1.28E-03 | GKR05 - 2S □□□ 071C33 MDSKS□□ 071-33 180 |

Observe the notes for thermal dimensioning.

Selection tables - Bevel gearboxes

Naturally ventilated synchronous geared servo motors

| M ₂ [Nm] | n ₂ trans [rpm] | c | i | M ₂ max short-time on geared motor at | | | | M ₂ Gr gearbox c=1 n ₁ ≤ 1400 rpm [Nm] | n ₂ therm [rpm] | J _{GM} referred to motor shaft [kgm ²] | Bevel geared servo motor Dimensions on Page 5-28 |
|------------------------|-------------------------------|-----|--------|---|-------------|----------------------------|-------------|--|-------------------------------|---|---|
| | | | | 8 kHz | | 16 kHz | | | | | |
| | | | | M ₂ max [Nm] | Type EVS | M ₂ max [Nm] | Type EVS | | | | |
| 73 | 575 | 1.6 | 6.257 | 143 | 9325 | 107 | 9325 | 156 | 466 | 1.18E-03 | GKR05 - 2S □□□ 071C33 MDSKS□□ 071-33 180 |
| 80 | 523 | 1.7 | 6.883 | 157 | 9325 | 117 | 9325 | 179 | 329 | 1.26E-03 | GKR05 - 2S □□□ 071C33 MDSKS□□ 071-33 180 |
| 91 | 461 | 1.5 | 7.817 | 178 | 9325 | 133 | 9325 | 187 | 277 | 1.23E-03 | GKR05 - 2S □□□ 071C33 MDSKS□□ 071-33 180 |
| 110 | 381 | 1.3 | 9.440 | 215 | 9325 | 161 | 9325 | 191 | 248 | 1.15E-03 | GKR05 - 2S □□□ 071C33 MDSKS□□ 071-33 180 |
| 125 | 336 | 1.2 | 10.720 | 244 | 9325 | 183 | 9325 | 204 | 211 | 1.14E-03 | GKR05 - 2S □□□ 071C33 MDSKS□□ 071-33 180 |
| 141 | 298 | 1.1 | 12.081 | 275 | 9325 | 206 | 9325 | 208 | 205 | 1.10E-03 | GKR05 - 2S □□□ 071C33 MDSKS□□ 071-33 180 |
| 154 | 272 | 1.0 | 13.216 | 301 | 9325 | 226 | 9325 | 214 | 193 | 1.09E-03 | GKR05 - 2S □□□ 071C33 MDSKS□□ 071-33 180 |
| 160 | 262 | 1.0 | 13.719 | 313 | 9325 | 234 | 9325 | 217 | 175 | 1.09E-03 | GKR05 - 2S □□□ 071C33 MDSKS□□ 071-33 180 |
| 40 | 239 | 5.5 | 15.873 | 70 | 9322 | 81 | 9323 | 317 | 239 | 2.72E-04 | GKR06 - 2S □□□ 056C23 MDSKS□□ 056-23 190 |
| 44 | 217 | 5.5 | 17.500 | 77 | 9322 | 89 | 9323 | 349 | 217 | 2.63E-04 | GKR06 - 2S □□□ 056C23 MDSKS□□ 056-23 190 |
| 64 | 150 | 5.2 | 25.309 | 111 | 9322 | 129 | 9323 | 421 | 150 | 2.03E-04 | GKR06 - 2S □□□ 056C23 MDSKS□□ 056-23 190 |
| 71 | 136 | 5.1 | 27.903 | 123 | 9322 | 142 | 9323 | 450 | 136 | 1.99E-04 | GKR06 - 2S □□□ 056C23 MDSKS□□ 056-23 190 |
| 81 | 121 | 4.4 | 31.481 | 139 | 9322 | 160 | 9323 | 441 | 121 | 1.86E-04 | GKR06 - 2S □□□ 056C23 MDSKS□□ 056-23 190 |
| 89 | 109 | 4.1 | 34.708 | 153 | 9322 | 177 | 9323 | 450 | 109 | 1.83E-04 | GKR06 - 2S □□□ 056C23 MDSKS□□ 056-23 190 |
| 105 | 93 | 3.8 | 40.741 | 179 | 9322 | 208 | 9323 | 450 | 93 | 1.68E-04 | GKR06 - 2S □□□ 056C23 MDSKS□□ 056-23 190 |
| 116 | 85 | 3.5 | 44.917 | 198 | 9322 | 229 | 9323 | 450 | 85 | 1.67E-04 | GKR06 - 2S □□□ 056C23 MDSKS□□ 056-23 190 |
| 129 | 77 | 3.2 | 49.444 | 218 | 9322 | 252 | 9323 | 450 | 77 | 1.61E-04 | GKR06 - 2S □□□ 056C23 MDSKS□□ 056-23 190 |
| 142 | 70 | 2.9 | 54.513 | 240 | 9322 | 278 | 9323 | 450 | 70 | 1.60E-04 | GKR06 - 2S □□□ 056C23 MDSKS□□ 056-23 190 |
| 164 | 61 | 2.1 | 62.500 | 275 | 9322 | 318 | 9323 | 378 | 61 | 1.53E-04 | GKR06 - 2S □□□ 056C23 MDSKS□□ 056-23 190 |
| 181 | 55 | 2.1 | 68.906 | 303 | 9322 | 351 | 9323 | 417 | 55 | 1.53E-04 | GKR06 - 2S □□□ 056C23 MDSKS□□ 056-23 190 |
| 62 | 252 | 3.6 | 15.873 | 104 | 9323 | 135 | 9324 | 317 | 231 | 3.32E-04 | GKR06 - 2S □□□ 056C33 MDSKS□□ 056-33 200 |
| 68 | 229 | 3.6 | 17.500 | 114 | 9323 | 149 | 9324 | 349 | 210 | 3.23E-04 | GKR06 - 2S □□□ 056C33 MDSKS□□ 056-33 200 |
| 98 | 158 | 3.4 | 25.309 | 165 | 9323 | 215 | 9324 | 421 | 158 | 2.63E-04 | GKR06 - 2S □□□ 056C33 MDSKS□□ 056-33 200 |
| 109 | 143 | 3.3 | 27.903 | 182 | 9323 | 238 | 9324 | 450 | 143 | 2.59E-04 | GKR06 - 2S □□□ 056C33 MDSKS□□ 056-33 200 |
| 123 | 127 | 2.9 | 31.481 | 206 | 9323 | 268 | 9324 | 441 | 127 | 2.46E-04 | GKR06 - 2S □□□ 056C33 MDSKS□□ 056-33 200 |
| 136 | 115 | 2.7 | 34.708 | 227 | 9323 | 295 | 9324 | 450 | 115 | 2.43E-04 | GKR06 - 2S □□□ 056C33 MDSKS□□ 056-33 200 |
| 160 | 98 | 2.5 | 40.741 | 266 | 9323 | 347 | 9324 | 450 | 98 | 2.28E-04 | GKR06 - 2S □□□ 056C33 MDSKS□□ 056-33 200 |
| 177 | 89 | 2.3 | 44.917 | 294 | 9323 | 382 | 9324 | 450 | 89 | 2.27E-04 | GKR06 - 2S □□□ 056C33 MDSKS□□ 056-33 200 |
| 195 | 81 | 2.1 | 49.444 | 323 | 9323 | 421 | 9324 | 450 | 81 | 2.21E-04 | GKR06 - 2S □□□ 056C33 MDSKS□□ 056-33 200 |
| 216 | 73 | 1.9 | 54.513 | 356 | 9323 | 464 | 9324 | 450 | 73 | 2.20E-04 | GKR06 - 2S □□□ 056C33 MDSKS□□ 056-33 200 |
| 248 | 64 | 1.4 | 62.500 | 409 | 9323 | 532 | 9324 | 378 | 64 | 2.13E-04 | GKR06 - 2S □□□ 056C33 MDSKS□□ 056-33 200 |
| 274 | 58 | 1.4 | 68.906 | 450 | 9323 | 587 | 9324 | 417 | 58 | 2.13E-04 | GKR06 - 2S □□□ 056C33 MDSKS□□ 056-33 200 |
| 31 | 565 | 5.6 | 6.022 | 46 | 9323 | 61 | 9324 | 241 | 565 | 9.66E-04 | GKR06 - 2S □□□ 071C03 MDSKS□□ 071-03 170 |
| 59 | 299 | 5.4 | 11.376 | 87 | 9323 | 114 | 9324 | 436 | 299 | 8.21E-04 | GKR06 - 2S □□□ 071C03 MDSKS□□ 071-03 170 |

Observe the notes for thermal dimensioning.

Selection tables - Bevel gearboxes

Naturally ventilated synchronous geared servo motors



| M ₂ [Nm] | n ₂ trans [rpm] | c | i | M ₂ max short-time on geared motor at | | | | M ₂ Gr gearbox c=1 n ₁ ≤ 1400 rpm [Nm] | n ₂ therm [rpm] | J _{GM} referred to motor shaft [kgm ²] | Bevel geared servo motor Dimensions on Page 5-28 |
|------------------------|-------------------------------|-----|--------|---|-------------|----------------------------|-------------|--|-------------------------------|---|---|
| | | | | 8 kHz | | 16 kHz | | | | | |
| | | | | M ₂ max [Nm] | Type EVS | M ₂ max [Nm] | Type EVS | | | | |
| 64 | 273 | 5.1 | 12.444 | 95 | 9323 | 125 | 9324 | 450 | 273 | 7.89E-04 | GKR06 - 2S □□□ 071C03 MDSKS□□ 071-03 170 |
| 72 | 248 | 4.4 | 13.720 | 104 | 9323 | 138 | 9324 | 426 | 248 | 7.73E-04 | GKR06 - 2S □□□ 071C03 MDSKS□□ 071-03 170 |
| 83 | 214 | 4.0 | 15.873 | 121 | 9323 | 160 | 9324 | 450 | 214 | 7.32E-04 | GKR06 - 2S □□□ 071C03 MDSKS□□ 071-03 170 |
| 92 | 194 | 3.6 | 17.500 | 133 | 9323 | 176 | 9324 | 450 | 194 | 7.23E-04 | GKR06 - 2S □□□ 071C03 MDSKS□□ 071-03 170 |
| 103 | 175 | 3.3 | 19.444 | 148 | 9323 | 196 | 9324 | 450 | 175 | 6.99E-04 | GKR06 - 2S □□□ 071C03 MDSKS□□ 071-03 170 |
| 114 | 159 | 3.0 | 21.438 | 163 | 9323 | 216 | 9324 | 450 | 159 | 6.93E-04 | GKR06 - 2S □□□ 071C03 MDSKS□□ 071-03 170 |
| 134 | 134 | 2.8 | 25.309 | 193 | 9323 | 255 | 9324 | 450 | 134 | 6.63E-04 | GKR06 - 2S □□□ 071C03 MDSKS□□ 071-03 170 |
| 149 | 122 | 2.6 | 27.903 | 212 | 9323 | 281 | 9324 | 450 | 122 | 6.59E-04 | GKR06 - 2S □□□ 071C03 MDSKS□□ 071-03 170 |
| 168 | 108 | 2.3 | 31.481 | 240 | 9323 | 317 | 9324 | 450 | 108 | 6.46E-04 | GKR06 - 2S □□□ 071C03 MDSKS□□ 071-03 170 |
| 186 | 98 | 2.1 | 34.708 | 264 | 9323 | 349 | 9324 | 450 | 98 | 6.43E-04 | GKR06 - 2S □□□ 071C03 MDSKS□□ 071-03 170 |
| 218 | 83 | 2.0 | 40.741 | 310 | 9323 | 410 | 9324 | 450 | 83 | 6.28E-04 | GKR06 - 2S □□□ 071C03 MDSKS□□ 071-03 170 |
| 241 | 76 | 1.8 | 44.917 | 342 | 9323 | 452 | 9324 | 450 | 76 | 6.27E-04 | GKR06 - 2S □□□ 071C03 MDSKS□□ 071-03 170 |
| 266 | 69 | 1.6 | 49.444 | 376 | 9323 | 498 | 9324 | 450 | 69 | 6.21E-04 | GKR06 - 2S □□□ 071C03 MDSKS□□ 071-03 170 |
| 294 | 62 | 1.5 | 54.513 | 415 | 9323 | 548 | 9324 | 450 | 62 | 6.20E-04 | GKR06 - 2S □□□ 071C03 MDSKS□□ 071-03 170 |
| 46 | 614 | 3.8 | 6.022 | 71 | 9324 | 98 | 9325 | 241 | 538 | 1.17E-03 | GKR06 - 2S □□□ 071C13 MDSKS□□ 071-13 185 |
| 87 | 325 | 3.6 | 11.376 | 135 | 9324 | 186 | 9325 | 436 | 283 | 1.02E-03 | GKR06 - 2S □□□ 071C13 MDSKS□□ 071-13 185 |
| 96 | 297 | 3.4 | 12.444 | 147 | 9324 | 203 | 9325 | 450 | 264 | 9.89E-04 | GKR06 - 2S □□□ 071C13 MDSKS□□ 071-13 185 |
| 106 | 270 | 2.9 | 13.720 | 162 | 9324 | 224 | 9325 | 426 | 233 | 9.73E-04 | GKR06 - 2S □□□ 071C13 MDSKS□□ 071-13 185 |
| 123 | 233 | 2.7 | 15.873 | 188 | 9324 | 259 | 9325 | 450 | 219 | 9.32E-04 | GKR06 - 2S □□□ 071C13 MDSKS□□ 071-13 185 |
| 136 | 211 | 2.4 | 17.500 | 207 | 9324 | 286 | 9325 | 450 | 195 | 9.23E-04 | GKR06 - 2S □□□ 071C13 MDSKS□□ 071-13 185 |
| 151 | 190 | 2.2 | 19.444 | 230 | 9324 | 317 | 9325 | 450 | 190 | 8.99E-04 | GKR06 - 2S □□□ 071C13 MDSKS□□ 071-13 185 |
| 167 | 173 | 2.0 | 21.438 | 254 | 9324 | 350 | 9325 | 450 | 173 | 8.93E-04 | GKR06 - 2S □□□ 071C13 MDSKS□□ 071-13 185 |
| 198 | 146 | 1.9 | 25.309 | 299 | 9324 | 413 | 9325 | 450 | 146 | 8.63E-04 | GKR06 - 2S □□□ 071C13 MDSKS□□ 071-13 185 |
| 218 | 133 | 1.7 | 27.903 | 330 | 9324 | 455 | 9325 | 450 | 133 | 8.59E-04 | GKR06 - 2S □□□ 071C13 MDSKS□□ 071-13 185 |
| 247 | 118 | 1.5 | 31.481 | 372 | 9324 | 514 | 9325 | 450 | 118 | 8.46E-04 | GKR06 - 2S □□□ 071C13 MDSKS□□ 071-13 185 |
| 273 | 107 | 1.4 | 34.708 | 411 | 9324 | 566 | 9325 | 450 | 107 | 8.43E-04 | GKR06 - 2S □□□ 071C13 MDSKS□□ 071-13 185 |
| 320 | 91 | 1.3 | 40.741 | 482 | 9324 | 665 | 9325 | 450 | 91 | 8.28E-04 | GKR06 - 2S □□□ 071C13 MDSKS□□ 071-13 185 |
| 353 | 82 | 1.2 | 44.917 | 531 | 9324 | 675 | 9325 | 450 | 82 | 8.27E-04 | GKR06 - 2S □□□ 071C13 MDSKS□□ 071-13 185 |
| 390 | 75 | 1.1 | 49.444 | 585 | 9324 | 675 | 9325 | 450 | 75 | 8.21E-04 | GKR06 - 2S □□□ 071C13 MDSKS□□ 071-13 185 |
| 69 | 598 | 2.6 | 6.022 | 137 | 9325 | 103 | 9325 | 241 | 498 | 1.37E-03 | GKR06 - 2S □□□ 071C33 MDSKS□□ 071-33 180 |
| 131 | 316 | 2.4 | 11.376 | 259 | 9325 | 194 | 9325 | 436 | 261 | 1.22E-03 | GKR06 - 2S □□□ 071C33 MDSKS□□ 071-33 180 |
| 143 | 289 | 2.3 | 12.444 | 284 | 9325 | 212 | 9325 | 450 | 244 | 1.19E-03 | GKR06 - 2S □□□ 071C33 MDSKS□□ 071-33 180 |
| 159 | 262 | 2.0 | 13.720 | 313 | 9325 | 234 | 9325 | 426 | 215 | 1.17E-03 | GKR06 - 2S □□□ 071C33 MDSKS□□ 071-33 180 |
| 184 | 227 | 1.8 | 15.873 | 362 | 9325 | 271 | 9325 | 450 | 198 | 1.13E-03 | GKR06 - 2S □□□ 071C33 MDSKS□□ 071-33 180 |

Observe the notes for thermal dimensioning.

Selection tables - Bevel gearboxes

Naturally ventilated synchronous geared servo motors

| M ₂ [Nm] | n ₂ trans [rpm] | c | i | M ₂ max short-time on geared motor at | | | | M ₂ Gr gearbox c=1 n ₁ ≤ 1400 rpm [Nm] | n ₂ therm [rpm] | J _{GM} referred to motor shaft [kgm ²] | Bevel geared servo motor Dimensions on Page 5-28 |
|------------------------|-------------------------------|-----|--------|---|-------------|----------------------------|-------------|--|-------------------------------|---|---|
| | | | | 8 kHz | | 16 kHz | | | | | |
| | | | | M ₂ max [Nm] | Type EVS | M ₂ max [Nm] | Type EVS | | | | |
| 203 | 206 | 1.6 | 17.500 | 399 | 9325 | 299 | 9325 | 450 | 171 | 1.12E-03 | GKR06 - 2S □□□ 071C33 MDSKS□□ 071-33 180 |
| 226 | 185 | 1.5 | 19.444 | 443 | 9325 | 332 | 9325 | 450 | 171 | 1.10E-03 | GKR06 - 2S □□□ 071C33 MDSKS□□ 071-33 180 |
| 250 | 168 | 1.3 | 21.438 | 489 | 9325 | 366 | 9325 | 450 | 148 | 1.09E-03 | GKR06 - 2S □□□ 071C33 MDSKS□□ 071-33 180 |
| 295 | 142 | 1.3 | 25.309 | 577 | 9325 | 432 | 9325 | 450 | 142 | 1.06E-03 | GKR06 - 2S □□□ 071C33 MDSKS□□ 071-33 180 |
| 325 | 129 | 1.2 | 27.903 | 636 | 9325 | 476 | 9325 | 450 | 127 | 1.06E-03 | GKR06 - 2S □□□ 071C33 MDSKS□□ 071-33 180 |
| 368 | 114 | 1.0 | 31.481 | 675 | 9325 | 537 | 9325 | 450 | 114 | 1.05E-03 | GKR06 - 2S □□□ 071C33 MDSKS□□ 071-33 180 |

Observe the notes for thermal dimensioning.

Selection tables - Bevel gearboxes

Forced ventilated synchronous geared servo motors



| M ₂ [Nm] | n ₂ trans [rpm] | c | i | M ₂ max short-time on geared motor at | | | | M ₂ Gr gearbox c=1 n ₁ ≤ 1400 rpm [Nm] | n ₂ therm [rpm] | J _{GM} referred to motor shaft [kgm ²] | Bevel geared servo motor Dimensions on Page 5-28 |
|------------------------|-------------------------------|-----|--------|---|-------------|----------------------------|-------------|--|-------------------------------|---|---|
| | | | | 8 kHz | | 16 kHz | | | | | |
| | | | | M ₂ max [Nm] | Type EVS | M ₂ max [Nm] | Type EVS | | | | |
| 37 | 636 | 1.4 | 5.185 | 67 | 9324 | 52 | 9324 | 69 | 489 | 6.81E-04 | GKR04 - 2S □□□ 071C03 MDFKS□□ 071-03 165 |
| 42 | 553 | 1.3 | 5.963 | 78 | 9324 | 60 | 9324 | 72 | 407 | 6.72E-04 | GKR04 - 2S □□□ 071C03 MDFKS□□ 071-03 165 |
| 51 | 464 | 1.2 | 7.111 | 92 | 9324 | 72 | 9324 | 78 | 377 | 6.45E-04 | GKR04 - 2S □□□ 071C03 MDFKS□□ 071-03 165 |
| 58 | 404 | 1.1 | 8.178 | 106 | 9324 | 82 | 9324 | 81 | 317 | 6.41E-04 | GKR04 - 2S □□□ 071C03 MDFKS□□ 071-03 165 |
| 65 | 363 | 1.0 | 9.101 | 118 | 9324 | 92 | 9324 | 84 | 320 | 9.27E-04 | GKR04 - 2S □□□ 071C03 MDFKS□□ 071-03 165 |
| 25 | 926 | 4.2 | 3.565 | 46 | 9324 | 36 | 9324 | 138 | 817 | 1.10E-03 | GKR05 - 2S □□□ 071C03 MDFKS□□ 071-03 165 |
| 34 | 675 | 3.2 | 4.889 | 64 | 9324 | 49 | 9324 | 147 | 666 | 8.79E-04 | GKR05 - 2S □□□ 071C03 MDFKS□□ 071-03 165 |
| 44 | 527 | 2.7 | 6.257 | 81 | 9324 | 63 | 9324 | 156 | 527 | 7.79E-04 | GKR05 - 2S □□□ 071C03 MDFKS□□ 071-03 165 |
| 48 | 479 | 2.8 | 6.883 | 90 | 9324 | 69 | 9324 | 179 | 391 | 8.57E-04 | GKR05 - 2S □□□ 071C03 MDFKS□□ 071-03 165 |
| 55 | 422 | 2.6 | 7.817 | 102 | 9324 | 79 | 9324 | 187 | 338 | 8.32E-04 | GKR05 - 2S □□□ 071C03 MDFKS□□ 071-03 165 |
| 66 | 350 | 2.2 | 9.440 | 123 | 9324 | 95 | 9324 | 191 | 318 | 7.53E-04 | GKR05 - 2S □□□ 071C03 MDFKS□□ 071-03 165 |
| 76 | 308 | 2.0 | 10.720 | 139 | 9324 | 108 | 9324 | 204 | 276 | 7.40E-04 | GKR05 - 2S □□□ 071C03 MDFKS□□ 071-03 165 |
| 85 | 273 | 1.9 | 12.081 | 157 | 9324 | 122 | 9324 | 208 | 261 | 7.02E-04 | GKR05 - 2S □□□ 071C03 MDFKS□□ 071-03 165 |
| 93 | 250 | 1.7 | 13.216 | 172 | 9324 | 133 | 9324 | 214 | 241 | 6.87E-04 | GKR05 - 2S □□□ 071C03 MDFKS□□ 071-03 165 |
| 97 | 241 | 1.7 | 13.719 | 178 | 9324 | 138 | 9324 | 217 | 220 | 6.94E-04 | GKR05 - 2S □□□ 071C03 MDFKS□□ 071-03 165 |
| 106 | 220 | 1.6 | 15.008 | 195 | 9324 | 151 | 9324 | 223 | 204 | 6.80E-04 | GKR05 - 2S □□□ 071C03 MDFKS□□ 071-03 165 |
| 119 | 196 | 1.5 | 16.857 | 219 | 9324 | 170 | 9324 | 240 | 196 | 6.60E-04 | GKR05 - 2S □□□ 071C03 MDFKS□□ 071-03 165 |
| 136 | 172 | 1.4 | 19.143 | 249 | 9324 | 193 | 9324 | 240 | 172 | 6.55E-04 | GKR05 - 2S □□□ 071C03 MDFKS□□ 071-03 165 |
| 147 | 160 | 1.3 | 20.650 | 268 | 9324 | 208 | 9324 | 240 | 160 | 6.44E-04 | GKR05 - 2S □□□ 071C03 MDFKS□□ 071-03 165 |
| 167 | 141 | 1.1 | 23.450 | 305 | 9324 | 236 | 9324 | 240 | 141 | 6.41E-04 | GKR05 - 2S □□□ 071C03 MDFKS□□ 071-03 165 |
| 191 | 123 | 1.1 | 26.878 | 349 | 9324 | 270 | 9324 | 240 | 123 | 6.27E-04 | GKR05 - 2S □□□ 071C03 MDFKS□□ 071-03 165 |
| 37 | 1010 | 2.8 | 3.565 | 74 | 9325 | 58 | 9325 | 138 | 751 | 1.30E-03 | GKR05 - 2S □□□ 071C13 MDFKS□□ 071-13 180 |
| 50 | 736 | 2.1 | 4.889 | 101 | 9325 | 80 | 9325 | 147 | 612 | 1.08E-03 | GKR05 - 2S □□□ 071C13 MDFKS□□ 071-13 180 |
| 65 | 575 | 1.8 | 6.257 | 130 | 9325 | 102 | 9325 | 156 | 492 | 9.79E-04 | GKR05 - 2S □□□ 071C13 MDFKS□□ 071-13 180 |
| 71 | 523 | 1.9 | 6.883 | 143 | 9325 | 112 | 9325 | 179 | 350 | 1.06E-03 | GKR05 - 2S □□□ 071C13 MDFKS□□ 071-13 180 |
| 81 | 461 | 1.7 | 7.817 | 162 | 9325 | 128 | 9325 | 187 | 294 | 1.03E-03 | GKR05 - 2S □□□ 071C13 MDFKS□□ 071-13 180 |
| 98 | 381 | 1.4 | 9.440 | 196 | 9325 | 154 | 9325 | 191 | 262 | 9.53E-04 | GKR05 - 2S □□□ 071C13 MDFKS□□ 071-13 180 |
| 112 | 336 | 1.4 | 10.720 | 222 | 9325 | 175 | 9325 | 204 | 223 | 9.40E-04 | GKR05 - 2S □□□ 071C13 MDFKS□□ 071-13 180 |
| 126 | 298 | 1.2 | 12.081 | 250 | 9325 | 197 | 9325 | 208 | 215 | 9.02E-04 | GKR05 - 2S □□□ 071C13 MDFKS□□ 071-13 180 |
| 138 | 272 | 1.2 | 13.216 | 274 | 9325 | 216 | 9325 | 214 | 201 | 8.87E-04 | GKR05 - 2S □□□ 071C13 MDFKS□□ 071-13 180 |
| 143 | 262 | 1.1 | 13.719 | 284 | 9325 | 224 | 9325 | 217 | 182 | 8.94E-04 | GKR05 - 2S □□□ 071C13 MDFKS□□ 071-13 180 |
| 157 | 240 | 1.1 | 15.008 | 311 | 9325 | 245 | 9325 | 223 | 172 | 8.80E-04 | GKR05 - 2S □□□ 071C13 MDFKS□□ 071-13 180 |
| 176 | 214 | 1.0 | 16.857 | 349 | 9325 | 275 | 9325 | 240 | 176 | 8.60E-04 | GKR05 - 2S □□□ 071C13 MDFKS□□ 071-13 180 |
| 54 | 982 | 1.9 | 3.565 | 81 | 9325 | 93 | 9326 | 138 | 682 | 1.50E-03 | GKR05 - 2S □□□ 071C33 MDFKS□□ 071-33 175 |

Observe the notes for thermal dimensioning.

Selection tables - Bevel gearboxes

Forced ventilated synchronous geared servo motors

| M ₂ [Nm] | n ₂ trans [rpm] | c | i | M ₂ max short-time on geared motor at | | | | M ₂ Gr gearbox c=1 n ₁ ≤ 1400 rpm [Nm] | n ₂ therm [rpm] | J _{GM} referred to motor shaft [kgm ²] | Bevel geared servo motor Dimensions on Page 5-28 |
|------------------------|-------------------------------|-----|--------|---|-------------|----------------------------|-------------|--|-------------------------------|---|---|
| | | | | 8 kHz | | 16 kHz | | | | | |
| | | | | M ₂ max [Nm] | Type EVS | M ₂ max [Nm] | Type EVS | | | | |
| 75 | 716 | 1.5 | 4.889 | 111 | 9325 | 128 | 9326 | 147 | 510 | 1.28E-03 | GKR05 - 2S □□□ 071C33 MDFKS□□ 071-33 175 |
| 96 | 559 | 1.2 | 6.257 | 143 | 9325 | 164 | 9326 | 156 | 413 | 1.18E-03 | GKR05 - 2S □□□ 071C33 MDFKS□□ 071-33 175 |
| 106 | 508 | 1.3 | 6.883 | 157 | 9325 | 180 | 9326 | 179 | 287 | 1.26E-03 | GKR05 - 2S □□□ 071C33 MDFKS□□ 071-33 175 |
| 120 | 448 | 1.2 | 7.817 | 178 | 9325 | 205 | 9326 | 187 | 243 | 1.23E-03 | GKR05 - 2S □□□ 071C33 MDFKS□□ 071-33 175 |
| 41 | 548 | 4.3 | 6.022 | 78 | 9324 | 61 | 9324 | 241 | 548 | 9.66E-04 | GKR06 - 2S □□□ 071C03 MDFKS□□ 071-03 165 |
| 78 | 290 | 4.1 | 11.376 | 148 | 9324 | 114 | 9324 | 436 | 290 | 8.21E-04 | GKR06 - 2S □□□ 071C03 MDFKS□□ 071-03 165 |
| 86 | 265 | 3.9 | 12.444 | 162 | 9324 | 125 | 9324 | 450 | 265 | 7.89E-04 | GKR06 - 2S □□□ 071C03 MDFKS□□ 071-03 165 |
| 95 | 241 | 3.4 | 13.720 | 178 | 9324 | 138 | 9324 | 426 | 239 | 7.73E-04 | GKR06 - 2S □□□ 071C03 MDFKS□□ 071-03 165 |
| 111 | 208 | 3.1 | 15.873 | 206 | 9324 | 160 | 9324 | 450 | 208 | 7.32E-04 | GKR06 - 2S □□□ 071C03 MDFKS□□ 071-03 165 |
| 122 | 189 | 2.8 | 17.500 | 227 | 9324 | 176 | 9324 | 450 | 189 | 7.23E-04 | GKR06 - 2S □□□ 071C03 MDFKS□□ 071-03 165 |
| 136 | 170 | 2.5 | 19.444 | 253 | 9324 | 196 | 9324 | 450 | 170 | 6.99E-04 | GKR06 - 2S □□□ 071C03 MDFKS□□ 071-03 165 |
| 151 | 154 | 2.3 | 21.438 | 279 | 9324 | 216 | 9324 | 450 | 154 | 6.93E-04 | GKR06 - 2S □□□ 071C03 MDFKS□□ 071-03 165 |
| 178 | 130 | 2.2 | 25.309 | 329 | 9324 | 255 | 9324 | 450 | 130 | 6.63E-04 | GKR06 - 2S □□□ 071C03 MDFKS□□ 071-03 165 |
| 197 | 118 | 2.0 | 27.903 | 363 | 9324 | 281 | 9324 | 450 | 118 | 6.59E-04 | GKR06 - 2S □□□ 071C03 MDFKS□□ 071-03 165 |
| 223 | 105 | 1.8 | 31.481 | 409 | 9324 | 317 | 9324 | 450 | 105 | 6.46E-04 | GKR06 - 2S □□□ 071C03 MDFKS□□ 071-03 165 |
| 246 | 95 | 1.6 | 34.708 | 451 | 9324 | 349 | 9324 | 450 | 95 | 6.43E-04 | GKR06 - 2S □□□ 071C03 MDFKS□□ 071-03 165 |
| 289 | 81 | 1.5 | 40.741 | 530 | 9324 | 410 | 9324 | 450 | 81 | 6.28E-04 | GKR06 - 2S □□□ 071C03 MDFKS□□ 071-03 165 |
| 319 | 73 | 1.4 | 44.917 | 584 | 9324 | 452 | 9324 | 450 | 73 | 6.27E-04 | GKR06 - 2S □□□ 071C03 MDFKS□□ 071-03 165 |
| 351 | 67 | 1.2 | 49.444 | 643 | 9324 | 498 | 9324 | 450 | 67 | 6.21E-04 | GKR06 - 2S □□□ 071C03 MDFKS□□ 071-03 165 |
| 388 | 61 | 1.1 | 54.513 | 675 | 9324 | 548 | 9324 | 450 | 61 | 6.20E-04 | GKR06 - 2S □□□ 071C03 MDFKS□□ 071-03 165 |
| 62 | 598 | 2.9 | 6.022 | 125 | 9325 | 98 | 9325 | 241 | 509 | 1.17E-03 | GKR06 - 2S □□□ 071C13 MDFKS□□ 071-13 180 |
| 117 | 316 | 2.7 | 11.376 | 236 | 9325 | 186 | 9325 | 436 | 267 | 1.02E-03 | GKR06 - 2S □□□ 071C13 MDFKS□□ 071-13 180 |
| 128 | 289 | 2.6 | 12.444 | 258 | 9325 | 203 | 9325 | 450 | 250 | 9.89E-04 | GKR06 - 2S □□□ 071C13 MDFKS□□ 071-13 180 |
| 142 | 262 | 2.2 | 13.720 | 284 | 9325 | 224 | 9325 | 426 | 220 | 9.73E-04 | GKR06 - 2S □□□ 071C13 MDFKS□□ 071-13 180 |
| 164 | 227 | 2.0 | 15.873 | 329 | 9325 | 259 | 9325 | 450 | 208 | 9.32E-04 | GKR06 - 2S □□□ 071C13 MDFKS□□ 071-13 180 |
| 181 | 206 | 1.8 | 17.500 | 363 | 9325 | 286 | 9325 | 450 | 181 | 9.23E-04 | GKR06 - 2S □□□ 071C13 MDFKS□□ 071-13 180 |
| 202 | 185 | 1.7 | 19.444 | 403 | 9325 | 317 | 9325 | 450 | 181 | 8.99E-04 | GKR06 - 2S □□□ 071C13 MDFKS□□ 071-13 180 |
| 223 | 168 | 1.5 | 21.438 | 444 | 9325 | 350 | 9325 | 450 | 156 | 8.93E-04 | GKR06 - 2S □□□ 071C13 MDFKS□□ 071-13 180 |
| 263 | 142 | 1.4 | 25.309 | 525 | 9325 | 413 | 9325 | 450 | 142 | 8.63E-04 | GKR06 - 2S □□□ 071C13 MDFKS□□ 071-13 180 |
| 291 | 129 | 1.3 | 27.903 | 578 | 9325 | 455 | 9325 | 450 | 129 | 8.59E-04 | GKR06 - 2S □□□ 071C13 MDFKS□□ 071-13 180 |
| 328 | 114 | 1.2 | 31.481 | 653 | 9325 | 514 | 9325 | 450 | 114 | 8.46E-04 | GKR06 - 2S □□□ 071C13 MDFKS□□ 071-13 180 |
| 363 | 104 | 1.1 | 34.708 | 675 | 9325 | 566 | 9325 | 450 | 104 | 8.43E-04 | GKR06 - 2S □□□ 071C13 MDFKS□□ 071-13 180 |
| 92 | 581 | 2.0 | 6.022 | 137 | 9325 | 158 | 9326 | 241 | 469 | 1.37E-03 | GKR06 - 2S □□□ 071C33 MDFKS□□ 071-33 175 |
| 173 | 308 | 1.9 | 11.376 | 259 | 9325 | 298 | 9326 | 436 | 242 | 1.22E-03 | GKR06 - 2S □□□ 071C33 MDFKS□□ 071-33 175 |

Observe the notes for thermal dimensioning.

Selection tables - Bevel gearboxes

Forced ventilated synchronous geared servo motors



| M ₂ [Nm] | n ₂ trans [rpm] | c | i | M ₂ max short-time on geared motor at | | | | M ₂ Gr gearbox c=1 n ₁ ≤ 1400 rpm [Nm] | n ₂ therm [rpm] | J _{GM} referred to motor shaft [kgm ²] | Bevel geared servo motor Dimensions on Page 5-28 |
|------------------------|-------------------------------|-----|--------|---|-------------|----------------------------|-------------|--|-------------------------------|---|---|
| | | | | 8 kHz | | 16 kHz | | | | | |
| | | | | M ₂ max [Nm] | Type EVS | M ₂ max [Nm] | Type EVS | | | | |
| 190 | 281 | 1.8 | 12.444 | 284 | 9325 | 326 | 9326 | 450 | 222 | 1.19E-03 | GKR06 - 2S □□□ 071C33 MDFKS□□ 071-33 175 |
| 210 | 255 | 1.5 | 13.720 | 313 | 9325 | 359 | 9326 | 426 | 185 | 1.17E-03 | GKR06 - 2S □□□ 071C33 MDFKS□□ 071-33 175 |
| 243 | 221 | 1.4 | 15.873 | 362 | 9325 | 416 | 9326 | 450 | 175 | 1.13E-03 | GKR06 - 2S □□□ 071C33 MDFKS□□ 071-33 175 |
| 269 | 200 | 1.3 | 17.500 | 399 | 9325 | 458 | 9326 | 450 | 152 | 1.12E-03 | GKR06 - 2S □□□ 071C33 MDFKS□□ 071-33 175 |
| 299 | 180 | 1.1 | 19.444 | 443 | 9325 | 509 | 9326 | 450 | 151 | 1.10E-03 | GKR06 - 2S □□□ 071C33 MDFKS□□ 071-33 175 |
| 330 | 163 | 1.0 | 21.438 | 489 | 9325 | 561 | 9326 | 450 | 131 | 1.09E-03 | GKR06 - 2S □□□ 071C33 MDFKS□□ 071-33 175 |

Observe the notes for thermal dimensioning.

Selection tables - Bevel gearboxes

Naturally ventilated asynchronous geared servo motors

| M ₂ [Nm] | n ₂ trans [rpm] | c | i | M ₂ max short-time on geared motor at | | | | M ₂ Gr gearbox c=1 n ₁ ≤ 1400 rpm [Nm] | n ₂ therm [rpm] | J _G M referred to motor shaft [kgm ²] | Bevel geared servo motor Dimensions on Page 5-28 |
|------------------------|-------------------------------|-----|--------|---|-------------|----------------------------|-------------|--|-------------------------------|--|---|
| | | | | 8 kHz | | 16 kHz | | | | | |
| | | | | M ₂ max [Nm] | Type EVS | M ₂ max [Nm] | Type EVS | | | | |
| 9 | 762 | 5.1 | 5.185 | 22 | 9322 | 26 | 9323 | 69 | 697 | 3.21E-04 | GKR04 - 2A □□□ 056C22 MDSKA□□ 056-22 140 |
| 11 | 662 | 4.6 | 5.963 | 25 | 9322 | 30 | 9323 | 72 | 597 | 3.12E-04 | GKR04 - 2A □□□ 056C22 MDSKA□□ 056-22 140 |
| 13 | 555 | 4.2 | 7.111 | 30 | 9322 | 36 | 9323 | 78 | 543 | 2.85E-04 | GKR04 - 2A □□□ 056C22 MDSKA□□ 056-22 140 |
| 15 | 483 | 3.8 | 8.178 | 35 | 9322 | 41 | 9323 | 81 | 465 | 2.81E-04 | GKR04 - 2A □□□ 056C22 MDSKA□□ 056-22 140 |
| 17 | 434 | 3.5 | 9.101 | 39 | 9322 | 46 | 9323 | 84 | 434 | 5.67E-04 | GKR04 - 2A □□□ 056C22 MDSKA□□ 056-22 140 |
| 19 | 377 | 3.2 | 10.466 | 44 | 9322 | 53 | 9323 | 89 | 377 | 2.70E-04 | GKR04 - 2A □□□ 056C22 MDSKA□□ 056-22 140 |
| 21 | 345 | 3.0 | 11.449 | 48 | 9322 | 58 | 9323 | 90 | 345 | 2.66E-04 | GKR04 - 2A □□□ 056C22 MDSKA□□ 056-22 140 |
| 24 | 311 | 2.7 | 12.698 | 54 | 9322 | 64 | 9323 | 90 | 311 | 4.39E-04 | GKR04 - 2A □□□ 056C22 MDSKA□□ 056-22 140 |
| 27 | 270 | 2.3 | 14.603 | 62 | 9322 | 74 | 9323 | 90 | 270 | 2.58E-04 | GKR04 - 2A □□□ 056C22 MDSKA□□ 056-22 140 |
| 29 | 254 | 2.2 | 15.556 | 66 | 9322 | 78 | 9323 | 90 | 254 | 3.87E-04 | GKR04 - 2A □□□ 056C22 MDSKA□□ 056-22 140 |
| 34 | 221 | 1.9 | 17.889 | 76 | 9322 | 90 | 9323 | 90 | 221 | 2.54E-04 | GKR04 - 2A □□□ 056C22 MDSKA□□ 056-22 140 |
| 37 | 202 | 1.8 | 19.556 | 83 | 9322 | 99 | 9323 | 90 | 202 | 2.50E-04 | GKR04 - 2A □□□ 056C22 MDSKA□□ 056-22 140 |
| 42 | 176 | 1.5 | 22.489 | 95 | 9322 | 113 | 9323 | 90 | 176 | 2.49E-04 | GKR04 - 2A □□□ 056C22 MDSKA□□ 056-22 140 |
| 48 | 157 | 1.5 | 25.185 | 107 | 9322 | 127 | 9323 | 90 | 157 | 2.46E-04 | GKR04 - 2A □□□ 056C22 MDSKA□□ 056-22 140 |
| 55 | 136 | 1.3 | 28.963 | 122 | 9322 | 135 | 9323 | 90 | 136 | 2.46E-04 | GKR04 - 2A □□□ 056C22 MDSKA□□ 056-22 140 |
| 19 | 781 | 2.5 | 5.185 | 62 | 9324 | 45 | 9324 | 69 | 611 | 9.11E-04 | GKR04 - 2A □□□ 071C22 MDSKA□□ 071-22 140 |
| 22 | 679 | 2.3 | 5.963 | 71 | 9324 | 52 | 9324 | 72 | 521 | 9.02E-04 | GKR04 - 2A □□□ 071C22 MDSKA□□ 071-22 140 |
| 27 | 570 | 2.1 | 7.111 | 85 | 9324 | 62 | 9324 | 78 | 480 | 8.75E-04 | GKR04 - 2A □□□ 071C22 MDSKA□□ 071-22 140 |
| 31 | 495 | 1.9 | 8.178 | 98 | 9324 | 72 | 9324 | 81 | 404 | 8.71E-04 | GKR04 - 2A □□□ 071C22 MDSKA□□ 071-22 140 |
| 34 | 445 | 1.8 | 9.101 | 109 | 9324 | 80 | 9324 | 84 | 414 | 1.16E-03 | GKR04 - 2A □□□ 071C22 MDSKA□□ 071-22 140 |
| 40 | 387 | 1.6 | 10.466 | 125 | 9324 | 92 | 9324 | 89 | 343 | 8.60E-04 | GKR04 - 2A □□□ 071C22 MDSKA□□ 071-22 140 |
| 43 | 354 | 1.5 | 11.449 | 135 | 9324 | 100 | 9324 | 90 | 316 | 8.56E-04 | GKR04 - 2A □□□ 071C22 MDSKA□□ 071-22 140 |
| 48 | 319 | 1.3 | 12.698 | 135 | 9324 | 111 | 9324 | 90 | 312 | 1.03E-03 | GKR04 - 2A □□□ 071C22 MDSKA□□ 071-22 140 |
| 55 | 277 | 1.2 | 14.603 | 135 | 9324 | 128 | 9324 | 90 | 258 | 8.48E-04 | GKR04 - 2A □□□ 071C22 MDSKA□□ 071-22 140 |
| 59 | 260 | 1.1 | 15.556 | 135 | 9324 | 135 | 9324 | 90 | 260 | 9.77E-04 | GKR04 - 2A □□□ 071C22 MDSKA□□ 071-22 140 |
| 27 | 263 | 5.7 | 15.008 | 63 | 9322 | 76 | 9323 | 223 | 263 | 3.20E-04 | GKR05 - 2A □□□ 056C22 MDSKA□□ 056-22 140 |
| 31 | 234 | 5.4 | 16.857 | 71 | 9322 | 85 | 9323 | 240 | 234 | 3.00E-04 | GKR05 - 2A □□□ 056C22 MDSKA□□ 056-22 140 |
| 35 | 206 | 4.8 | 19.143 | 81 | 9322 | 96 | 9323 | 240 | 206 | 2.95E-04 | GKR05 - 2A □□□ 056C22 MDSKA□□ 056-22 140 |
| 38 | 191 | 4.4 | 20.650 | 87 | 9322 | 104 | 9323 | 240 | 191 | 2.84E-04 | GKR05 - 2A □□□ 056C22 MDSKA□□ 056-22 140 |
| 43 | 168 | 3.9 | 23.450 | 99 | 9322 | 118 | 9323 | 240 | 168 | 2.81E-04 | GKR05 - 2A □□□ 056C22 MDSKA□□ 056-22 140 |
| 50 | 147 | 3.9 | 26.878 | 114 | 9322 | 135 | 9323 | 240 | 147 | 2.67E-04 | GKR05 - 2A □□□ 056C22 MDSKA□□ 056-22 140 |
| 57 | 129 | 3.4 | 30.522 | 129 | 9322 | 154 | 9323 | 240 | 129 | 2.65E-04 | GKR05 - 2A □□□ 056C22 MDSKA□□ 056-22 140 |
| 62 | 118 | 3.1 | 33.433 | 141 | 9322 | 168 | 9323 | 240 | 118 | 2.59E-04 | GKR05 - 2A □□□ 056C22 MDSKA□□ 056-22 140 |
| 71 | 104 | 2.7 | 37.967 | 161 | 9322 | 191 | 9323 | 240 | 104 | 2.58E-04 | GKR05 - 2A □□□ 056C22 MDSKA□□ 056-22 140 |

Observe the notes for thermal dimensioning.

Selection tables - Bevel gearboxes

Naturally ventilated asynchronous geared servo motors



| M ₂ [Nm] | n _{2 trans} [rpm] | c | i | M _{2 max} short-time on geared motor at | | | | M _{2 Gr} gearbox c=1 n ₁ ≤ 1400 rpm [Nm] | n _{2 therm} [rpm] | J _{GM} referred to motor shaft [kgm ²] | Bevel geared servo motor Dimensions on Page 5-28 |
|------------------------|-------------------------------|-----|--------|---|-------------|----------------------------|-------------|--|-------------------------------|---|---|
| | | | | 8 kHz | | 16 kHz | | | | | |
| | | | | M _{2 max} [Nm] | Type EVS | M _{2 max} [Nm] | Type EVS | | | | |
| 81 | 91 | 2.7 | 43.267 | 183 | 9322 | 218 | 9323 | 240 | 91 | 2.52E-04 | GKR05 - 2A □□□ 056C22 MDSKA□□ 056-22 140 |
| 92 | 80 | 2.3 | 49.133 | 208 | 9322 | 247 | 9323 | 240 | 80 | 2.51E-04 | GKR05 - 2A □□□ 056C22 MDSKA□□ 056-22 140 |
| 99 | 75 | 2.2 | 52.510 | 222 | 9322 | 264 | 9323 | 240 | 75 | 2.49E-04 | GKR05 - 2A □□□ 056C22 MDSKA□□ 056-22 140 |
| 112 | 66 | 1.9 | 59.630 | 252 | 9322 | 300 | 9323 | 240 | 66 | 2.48E-04 | GKR05 - 2A □□□ 056C22 MDSKA□□ 056-22 140 |
| 18 | 828 | 5.7 | 4.889 | 59 | 9324 | 43 | 9324 | 147 | 739 | 1.11E-03 | GKR05 - 2A □□□ 071C22 MDSKA□□ 071-22 140 |
| 23 | 647 | 4.7 | 6.257 | 75 | 9324 | 55 | 9324 | 156 | 608 | 1.01E-03 | GKR05 - 2A □□□ 071C22 MDSKA□□ 071-22 140 |
| 25 | 588 | 4.9 | 6.883 | 82 | 9324 | 60 | 9324 | 179 | 437 | 1.09E-03 | GKR05 - 2A □□□ 071C22 MDSKA□□ 071-22 140 |
| 29 | 518 | 4.5 | 7.817 | 94 | 9324 | 68 | 9324 | 187 | 379 | 1.06E-03 | GKR05 - 2A □□□ 071C22 MDSKA□□ 071-22 140 |
| 35 | 429 | 3.8 | 9.440 | 113 | 9324 | 83 | 9324 | 191 | 356 | 9.83E-04 | GKR05 - 2A □□□ 071C22 MDSKA□□ 071-22 140 |
| 40 | 378 | 3.6 | 10.720 | 128 | 9324 | 94 | 9324 | 204 | 310 | 9.70E-04 | GKR05 - 2A □□□ 071C22 MDSKA□□ 071-22 140 |
| 45 | 335 | 3.3 | 12.081 | 145 | 9324 | 106 | 9324 | 208 | 295 | 9.32E-04 | GKR05 - 2A □□□ 071C22 MDSKA□□ 071-22 140 |
| 49 | 306 | 3.1 | 13.216 | 158 | 9324 | 116 | 9324 | 214 | 277 | 9.17E-04 | GKR05 - 2A □□□ 071C22 MDSKA□□ 071-22 140 |
| 51 | 295 | 3.0 | 13.719 | 164 | 9324 | 120 | 9324 | 217 | 256 | 9.24E-04 | GKR05 - 2A □□□ 071C22 MDSKA□□ 071-22 140 |
| 56 | 270 | 2.8 | 15.008 | 180 | 9324 | 131 | 9324 | 223 | 240 | 9.10E-04 | GKR05 - 2A □□□ 071C22 MDSKA□□ 071-22 140 |
| 63 | 240 | 2.7 | 16.857 | 202 | 9324 | 147 | 9324 | 240 | 240 | 8.90E-04 | GKR05 - 2A □□□ 071C22 MDSKA□□ 071-22 140 |
| 72 | 212 | 2.4 | 19.143 | 229 | 9324 | 167 | 9324 | 240 | 212 | 8.85E-04 | GKR05 - 2A □□□ 071C22 MDSKA□□ 071-22 140 |
| 77 | 196 | 2.2 | 20.650 | 247 | 9324 | 181 | 9324 | 240 | 196 | 8.74E-04 | GKR05 - 2A □□□ 071C22 MDSKA□□ 071-22 140 |
| 88 | 173 | 1.9 | 23.450 | 281 | 9324 | 205 | 9324 | 240 | 173 | 8.71E-04 | GKR05 - 2A □□□ 071C22 MDSKA□□ 071-22 140 |
| 101 | 151 | 1.9 | 26.878 | 322 | 9324 | 235 | 9324 | 240 | 151 | 8.57E-04 | GKR05 - 2A □□□ 071C22 MDSKA□□ 071-22 140 |
| 115 | 133 | 1.7 | 30.522 | 360 | 9324 | 267 | 9324 | 240 | 133 | 8.55E-04 | GKR05 - 2A □□□ 071C22 MDSKA□□ 071-22 140 |
| 126 | 121 | 1.5 | 33.433 | 360 | 9324 | 292 | 9324 | 240 | 121 | 8.49E-04 | GKR05 - 2A □□□ 071C22 MDSKA□□ 071-22 140 |
| 144 | 107 | 1.4 | 37.967 | 360 | 9324 | 332 | 9324 | 240 | 107 | 8.48E-04 | GKR05 - 2A □□□ 071C22 MDSKA□□ 071-22 140 |
| 22 | 561 | 5.5 | 3.565 | 51 | 9323 | 72 | 9324 | 138 | 561 | 2.42E-03 | GKR05 - 2A □□□ 080C22 MDSKA□□ 080-22 70 |
| 30 | 409 | 4.3 | 4.889 | 70 | 9323 | 99 | 9324 | 147 | 409 | 2.20E-03 | GKR05 - 2A □□□ 080C22 MDSKA□□ 080-22 70 |
| 39 | 320 | 3.6 | 6.257 | 90 | 9323 | 126 | 9324 | 156 | 320 | 2.10E-03 | GKR05 - 2A □□□ 080C22 MDSKA□□ 080-22 70 |
| 43 | 291 | 3.7 | 6.883 | 99 | 9323 | 139 | 9324 | 179 | 291 | 2.18E-03 | GKR05 - 2A □□□ 080C22 MDSKA□□ 080-22 70 |
| 48 | 256 | 3.4 | 7.817 | 112 | 9323 | 157 | 9324 | 187 | 256 | 2.15E-03 | GKR05 - 2A □□□ 080C22 MDSKA□□ 080-22 70 |
| 59 | 212 | 2.9 | 9.440 | 135 | 9323 | 190 | 9324 | 191 | 212 | 2.07E-03 | GKR05 - 2A □□□ 080C22 MDSKA□□ 080-22 70 |
| 67 | 187 | 2.7 | 10.720 | 154 | 9323 | 216 | 9324 | 204 | 187 | 2.06E-03 | GKR05 - 2A □□□ 080C22 MDSKA□□ 080-22 70 |
| 76 | 166 | 2.5 | 12.081 | 173 | 9323 | 243 | 9324 | 208 | 166 | 2.02E-03 | GKR05 - 2A □□□ 080C22 MDSKA□□ 080-22 70 |
| 83 | 151 | 2.3 | 13.216 | 190 | 9323 | 266 | 9324 | 214 | 151 | 2.01E-03 | GKR05 - 2A □□□ 080C22 MDSKA□□ 080-22 70 |
| 86 | 146 | 2.3 | 13.719 | 197 | 9323 | 276 | 9324 | 217 | 146 | 2.01E-03 | GKR05 - 2A □□□ 080C22 MDSKA□□ 080-22 70 |
| 94 | 133 | 2.1 | 15.008 | 215 | 9323 | 302 | 9324 | 223 | 133 | 2.00E-03 | GKR05 - 2A □□□ 080C22 MDSKA□□ 080-22 70 |
| 106 | 119 | 2.0 | 16.857 | 242 | 9323 | 340 | 9324 | 240 | 119 | 1.98E-03 | GKR05 - 2A □□□ 080C22 MDSKA□□ 080-22 70 |

Observe the notes for thermal dimensioning.

Selection tables - Bevel gearboxes

Naturally ventilated asynchronous geared servo motors

| M ₂ [Nm] | n ₂ trans [rpm] | c | i | M ₂ max short-time on geared motor at | | | | M ₂ Gr gearbox c=1 n ₁ ≤ 1400 rpm [Nm] | n ₂ therm [rpm] | J _{GM} referred to motor shaft [kgm ²] | Bevel geared servo motor Dimensions on Page 5-28 |
|------------------------|-------------------------------|-----|--------|---|-------------|----------------------------|-------------|--|-------------------------------|---|---|
| | | | | 8 kHz | | 16 kHz | | | | | |
| | | | | M ₂ max [Nm] | Type EVS | M ₂ max [Nm] | Type EVS | | | | |
| 121 | 104 | 1.8 | 19.143 | 275 | 9323 | 360 | 9324 | 240 | 104 | 1.98E-03 | GKR05 - 2A □□□ 080C22 MDSKA□□ 080-22 70 |
| 131 | 97 | 1.7 | 20.650 | 296 | 9323 | 360 | 9324 | 240 | 97 | 1.96E-03 | GKR05 - 2A □□□ 080C22 MDSKA□□ 080-22 70 |
| 149 | 85 | 1.5 | 23.450 | 336 | 9323 | 360 | 9324 | 240 | 85 | 1.96E-03 | GKR05 - 2A □□□ 080C22 MDSKA□□ 080-22 70 |
| 17 | 1150 | 5.4 | 3.565 | 45 | 9324 | 65 | 9325 | 138 | 858 | 2.42E-03 | GKR05 - 2A □□□ 080C22 MDSKA□□ 080-22 140 |
| 24 | 839 | 4.2 | 4.889 | 61 | 9324 | 89 | 9325 | 147 | 699 | 2.20E-03 | GKR05 - 2A □□□ 080C22 MDSKA□□ 080-22 140 |
| 31 | 655 | 3.5 | 6.257 | 79 | 9324 | 114 | 9325 | 156 | 574 | 2.10E-03 | GKR05 - 2A □□□ 080C22 MDSKA□□ 080-22 140 |
| 34 | 596 | 3.6 | 6.883 | 86 | 9324 | 125 | 9325 | 179 | 412 | 2.18E-03 | GKR05 - 2A □□□ 080C22 MDSKA□□ 080-22 140 |
| 39 | 525 | 3.3 | 7.817 | 98 | 9324 | 142 | 9325 | 187 | 356 | 2.15E-03 | GKR05 - 2A □□□ 080C22 MDSKA□□ 080-22 140 |
| 48 | 434 | 2.8 | 9.440 | 118 | 9324 | 171 | 9325 | 191 | 335 | 2.07E-03 | GKR05 - 2A □□□ 080C22 MDSKA□□ 080-22 140 |
| 54 | 382 | 2.6 | 10.720 | 134 | 9324 | 195 | 9325 | 204 | 292 | 2.06E-03 | GKR05 - 2A □□□ 080C22 MDSKA□□ 080-22 140 |
| 61 | 339 | 2.4 | 12.081 | 152 | 9324 | 219 | 9325 | 208 | 279 | 2.02E-03 | GKR05 - 2A □□□ 080C22 MDSKA□□ 080-22 140 |
| 67 | 310 | 2.3 | 13.216 | 166 | 9324 | 240 | 9325 | 214 | 262 | 2.01E-03 | GKR05 - 2A □□□ 080C22 MDSKA□□ 080-22 140 |
| 69 | 299 | 2.2 | 13.719 | 172 | 9324 | 249 | 9325 | 217 | 242 | 2.01E-03 | GKR05 - 2A □□□ 080C22 MDSKA□□ 080-22 140 |
| 76 | 273 | 2.1 | 15.008 | 188 | 9324 | 272 | 9325 | 223 | 227 | 2.00E-03 | GKR05 - 2A □□□ 080C22 MDSKA□□ 080-22 140 |
| 86 | 243 | 2.0 | 16.857 | 211 | 9324 | 306 | 9325 | 240 | 213 | 1.98E-03 | GKR05 - 2A □□□ 080C22 MDSKA□□ 080-22 140 |
| 97 | 214 | 1.7 | 19.143 | 240 | 9324 | 347 | 9325 | 240 | 188 | 1.98E-03 | GKR05 - 2A □□□ 080C22 MDSKA□□ 080-22 140 |
| 105 | 199 | 1.6 | 20.650 | 259 | 9324 | 360 | 9325 | 240 | 174 | 1.96E-03 | GKR05 - 2A □□□ 080C22 MDSKA□□ 080-22 140 |
| 120 | 175 | 1.4 | 23.450 | 294 | 9324 | 360 | 9325 | 240 | 153 | 1.96E-03 | GKR05 - 2A □□□ 080C22 MDSKA□□ 080-22 140 |
| 63 | 114 | 5.6 | 34.708 | 147 | 9322 | 175 | 9323 | 450 | 114 | 2.83E-04 | GKR06 - 2A □□□ 056C22 MDSKA□□ 056-22 140 |
| 74 | 97 | 5.3 | 40.741 | 172 | 9322 | 205 | 9323 | 450 | 97 | 2.68E-04 | GKR06 - 2A □□□ 056C22 MDSKA□□ 056-22 140 |
| 82 | 88 | 4.8 | 44.917 | 190 | 9322 | 226 | 9323 | 450 | 88 | 2.67E-04 | GKR06 - 2A □□□ 056C22 MDSKA□□ 056-22 140 |
| 91 | 80 | 4.4 | 49.444 | 209 | 9322 | 249 | 9323 | 450 | 80 | 2.61E-04 | GKR06 - 2A □□□ 056C22 MDSKA□□ 056-22 140 |
| 100 | 72 | 4.0 | 54.513 | 231 | 9322 | 275 | 9323 | 450 | 72 | 2.60E-04 | GKR06 - 2A □□□ 056C22 MDSKA□□ 056-22 140 |
| 116 | 63 | 2.9 | 62.500 | 264 | 9322 | 315 | 9323 | 378 | 63 | 2.53E-04 | GKR06 - 2A □□□ 056C22 MDSKA□□ 056-22 140 |
| 128 | 57 | 2.9 | 68.906 | 291 | 9322 | 347 | 9323 | 417 | 57 | 2.53E-04 | GKR06 - 2A □□□ 056C22 MDSKA□□ 056-22 140 |
| 49 | 295 | 5.9 | 13.720 | 164 | 9324 | 120 | 9324 | 426 | 265 | 1.00E-03 | GKR06 - 2A □□□ 071C22 MDSKA□□ 071-22 140 |
| 58 | 255 | 5.4 | 15.873 | 190 | 9324 | 139 | 9324 | 450 | 247 | 9.62E-04 | GKR06 - 2A □□□ 071C22 MDSKA□□ 071-22 140 |
| 64 | 231 | 4.9 | 17.500 | 210 | 9324 | 153 | 9324 | 450 | 221 | 9.53E-04 | GKR06 - 2A □□□ 071C22 MDSKA□□ 071-22 140 |
| 71 | 208 | 4.4 | 19.444 | 233 | 9324 | 170 | 9324 | 450 | 208 | 9.29E-04 | GKR06 - 2A □□□ 071C22 MDSKA□□ 071-22 140 |
| 79 | 189 | 4.0 | 21.438 | 257 | 9324 | 187 | 9324 | 450 | 189 | 9.23E-04 | GKR06 - 2A □□□ 071C22 MDSKA□□ 071-22 140 |
| 93 | 160 | 3.8 | 25.309 | 303 | 9324 | 221 | 9324 | 450 | 160 | 8.93E-04 | GKR06 - 2A □□□ 071C22 MDSKA□□ 071-22 140 |
| 103 | 145 | 3.5 | 27.903 | 334 | 9324 | 244 | 9324 | 450 | 145 | 8.89E-04 | GKR06 - 2A □□□ 071C22 MDSKA□□ 071-22 140 |
| 117 | 129 | 3.1 | 31.481 | 377 | 9324 | 275 | 9324 | 450 | 129 | 8.76E-04 | GKR06 - 2A □□□ 071C22 MDSKA□□ 071-22 140 |
| 129 | 117 | 2.8 | 34.708 | 416 | 9324 | 303 | 9324 | 450 | 117 | 8.73E-04 | GKR06 - 2A □□□ 071C22 MDSKA□□ 071-22 140 |

Observe the notes for thermal dimensioning.

Selection tables - Bevel gearboxes

Naturally ventilated asynchronous geared servo motors



| M ₂ [Nm] | n ₂ trans [rpm] | c | i | M ₂ max short-time on geared motor at | | | | M ₂ Gr gearbox c=1 n ₁ ≤ 1400 rpm [Nm] | n ₂ therm [rpm] | J _{GM} referred to motor shaft [kgm ²] | Bevel geared servo motor Dimensions on Page 5-28 |
|------------------------|-------------------------------|-----|--------|---|-------------|----------------------------|-------------|--|-------------------------------|---|---|
| | | | | 8 kHz | | 16 kHz | | | | | |
| | | | | M ₂ max [Nm] | Type EVS | M ₂ max [Nm] | Type EVS | | | | |
| 152 | 99 | 2.6 | 40.741 | 488 | 9324 | 356 | 9324 | 450 | 99 | 8.58E-04 | GKR06 - 2A □□□ 071C22 MDSKA□□ 071-22 140 |
| 168 | 90 | 2.4 | 44.917 | 538 | 9324 | 393 | 9324 | 450 | 90 | 8.57E-04 | GKR06 - 2A □□□ 071C22 MDSKA□□ 071-22 140 |
| 186 | 82 | 2.2 | 49.444 | 592 | 9324 | 432 | 9324 | 450 | 82 | 8.51E-04 | GKR06 - 2A □□□ 071C22 MDSKA□□ 071-22 140 |
| 205 | 74 | 2.0 | 54.513 | 653 | 9324 | 477 | 9324 | 450 | 74 | 8.50E-04 | GKR06 - 2A □□□ 071C22 MDSKA□□ 071-22 140 |
| 59 | 204 | 5.6 | 9.800 | 141 | 9323 | 197 | 9324 | 384 | 204 | 2.21E-03 | GKR06 - 2A □□□ 080C22 MDSKA□□ 080-22 70 |
| 69 | 176 | 5.5 | 11.376 | 163 | 9323 | 229 | 9324 | 436 | 176 | 2.14E-03 | GKR06 - 2A □□□ 080C22 MDSKA□□ 080-22 70 |
| 76 | 161 | 5.2 | 12.444 | 179 | 9323 | 251 | 9324 | 450 | 161 | 2.11E-03 | GKR06 - 2A □□□ 080C22 MDSKA□□ 080-22 70 |
| 84 | 146 | 4.4 | 13.720 | 197 | 9323 | 276 | 9324 | 426 | 146 | 2.09E-03 | GKR06 - 2A □□□ 080C22 MDSKA□□ 080-22 70 |
| 98 | 126 | 4.0 | 15.873 | 228 | 9323 | 320 | 9324 | 450 | 126 | 2.05E-03 | GKR06 - 2A □□□ 080C22 MDSKA□□ 080-22 70 |
| 108 | 114 | 3.7 | 17.500 | 251 | 9323 | 353 | 9324 | 450 | 114 | 2.04E-03 | GKR06 - 2A □□□ 080C22 MDSKA□□ 080-22 70 |
| 121 | 103 | 3.3 | 19.444 | 279 | 9323 | 392 | 9324 | 450 | 103 | 2.02E-03 | GKR06 - 2A □□□ 080C22 MDSKA□□ 080-22 70 |
| 134 | 93 | 3.0 | 21.438 | 308 | 9323 | 432 | 9324 | 450 | 93 | 2.01E-03 | GKR06 - 2A □□□ 080C22 MDSKA□□ 080-22 70 |
| 158 | 79 | 2.8 | 25.309 | 363 | 9323 | 510 | 9324 | 450 | 79 | 1.98E-03 | GKR06 - 2A □□□ 080C22 MDSKA□□ 080-22 70 |
| 175 | 72 | 2.5 | 27.903 | 400 | 9323 | 562 | 9324 | 450 | 72 | 1.98E-03 | GKR06 - 2A □□□ 080C22 MDSKA□□ 080-22 70 |
| 198 | 64 | 2.2 | 31.481 | 452 | 9323 | 634 | 9324 | 450 | 64 | 1.97E-03 | GKR06 - 2A □□□ 080C22 MDSKA□□ 080-22 70 |
| 219 | 58 | 2.0 | 34.708 | 498 | 9323 | 675 | 9324 | 450 | 58 | 1.96E-03 | GKR06 - 2A □□□ 080C22 MDSKA□□ 080-22 70 |
| 48 | 418 | 5.5 | 9.800 | 123 | 9324 | 178 | 9325 | 384 | 307 | 2.21E-03 | GKR06 - 2A □□□ 080C22 MDSKA□□ 080-22 140 |
| 56 | 360 | 5.3 | 11.376 | 143 | 9324 | 206 | 9325 | 436 | 305 | 2.14E-03 | GKR06 - 2A □□□ 080C22 MDSKA□□ 080-22 140 |
| 61 | 329 | 5.0 | 12.444 | 156 | 9324 | 226 | 9325 | 450 | 284 | 2.11E-03 | GKR06 - 2A □□□ 080C22 MDSKA□□ 080-22 140 |
| 68 | 299 | 4.3 | 13.720 | 172 | 9324 | 249 | 9325 | 426 | 251 | 2.09E-03 | GKR06 - 2A □□□ 080C22 MDSKA□□ 080-22 140 |
| 79 | 258 | 4.0 | 15.873 | 199 | 9324 | 288 | 9325 | 450 | 226 | 2.05E-03 | GKR06 - 2A □□□ 080C22 MDSKA□□ 080-22 140 |
| 87 | 234 | 3.6 | 17.500 | 220 | 9324 | 318 | 9325 | 450 | 205 | 2.04E-03 | GKR06 - 2A □□□ 080C22 MDSKA□□ 080-22 140 |
| 97 | 211 | 3.2 | 19.444 | 244 | 9324 | 353 | 9325 | 450 | 185 | 2.02E-03 | GKR06 - 2A □□□ 080C22 MDSKA□□ 080-22 140 |
| 108 | 191 | 2.9 | 21.438 | 269 | 9324 | 389 | 9325 | 450 | 167 | 2.01E-03 | GKR06 - 2A □□□ 080C22 MDSKA□□ 080-22 140 |
| 127 | 162 | 2.8 | 25.309 | 317 | 9324 | 459 | 9325 | 450 | 142 | 1.98E-03 | GKR06 - 2A □□□ 080C22 MDSKA□□ 080-22 140 |
| 141 | 147 | 2.6 | 27.903 | 350 | 9324 | 506 | 9325 | 450 | 129 | 1.98E-03 | GKR06 - 2A □□□ 080C22 MDSKA□□ 080-22 140 |
| 159 | 130 | 2.3 | 31.481 | 395 | 9324 | 571 | 9325 | 450 | 114 | 1.97E-03 | GKR06 - 2A □□□ 080C22 MDSKA□□ 080-22 140 |
| 176 | 118 | 2.1 | 34.708 | 435 | 9324 | 630 | 9325 | 450 | 103 | 1.96E-03 | GKR06 - 2A □□□ 080C22 MDSKA□□ 080-22 140 |
| 34 | 670 | 4.9 | 3.431 | 80 | 9324 | 113 | 9325 | 200 | 670 | 4.56E-03 | GKR06 - 2A □□□ 090C22 MDSKA□□ 090-22 80 |
| 47 | 489 | 4.5 | 4.706 | 109 | 9324 | 154 | 9325 | 250 | 489 | 4.16E-03 | GKR06 - 2A □□□ 090C22 MDSKA□□ 090-22 80 |
| 60 | 382 | 3.9 | 6.022 | 140 | 9324 | 197 | 9325 | 280 | 382 | 3.97E-03 | GKR06 - 2A □□□ 090C22 MDSKA□□ 090-22 80 |
| 64 | 355 | 4.6 | 6.481 | 150 | 9324 | 212 | 9325 | 350 | 355 | 4.11E-03 | GKR06 - 2A □□□ 090C22 MDSKA□□ 090-22 80 |
| 71 | 322 | 4.1 | 7.146 | 166 | 9324 | 234 | 9325 | 348 | 322 | 4.05E-03 | GKR06 - 2A □□□ 090C22 MDSKA□□ 090-22 80 |
| 88 | 259 | 3.9 | 8.889 | 206 | 9324 | 291 | 9325 | 408 | 259 | 3.92E-03 | GKR06 - 2A □□□ 090C22 MDSKA□□ 090-22 80 |

Observe the notes for thermal dimensioning.

Selection tables - Bevel gearboxes

Naturally ventilated asynchronous geared servo motors

| M ₂ [Nm] | n ₂ trans [rpm] | c | i | M ₂ max short-time on geared motor at | | | | M ₂ Gr gearbox c=1 n ₁ ≤ 1400 rpm [Nm] | n ₂ therm [rpm] | J _{GM} referred to motor shaft [kgm ²] | Bevel geared servo motor Dimensions on Page 5-28 |
|------------------------|-------------------------------|-----|--------|---|-------------|----------------------------|-------------|--|-------------------------------|---|---|
| | | | | 8 kHz | | 16 kHz | | | | | |
| | | | | M ₂ max [Nm] | Type EVS | M ₂ max [Nm] | Type EVS | | | | |
| 98 | 235 | 3.3 | 9.800 | 227 | 9324 | 321 | 9325 | 384 | 235 | 3.89E-03 | GKR06 - 2A □□□ 090C22 MDSKA□□ 090-22 80 |
| 114 | 202 | 3.2 | 11.376 | 264 | 9324 | 373 | 9325 | 436 | 202 | 3.82E-03 | GKR06 - 2A □□□ 090C22 MDSKA□□ 090-22 80 |
| 125 | 185 | 3.1 | 12.444 | 289 | 9324 | 408 | 9325 | 450 | 185 | 3.79E-03 | GKR06 - 2A □□□ 090C22 MDSKA□□ 090-22 80 |
| 138 | 168 | 2.6 | 13.720 | 318 | 9324 | 450 | 9325 | 426 | 168 | 3.77E-03 | GKR06 - 2A □□□ 090C22 MDSKA□□ 090-22 80 |
| 160 | 145 | 2.4 | 15.873 | 368 | 9324 | 520 | 9325 | 450 | 145 | 3.73E-03 | GKR06 - 2A □□□ 090C22 MDSKA□□ 090-22 80 |
| 177 | 131 | 2.2 | 17.500 | 406 | 9324 | 574 | 9325 | 450 | 131 | 3.72E-03 | GKR06 - 2A □□□ 090C22 MDSKA□□ 090-22 80 |
| 198 | 118 | 2.0 | 19.444 | 451 | 9324 | 637 | 9325 | 450 | 118 | 3.70E-03 | GKR06 - 2A □□□ 090C22 MDSKA□□ 090-22 80 |
| 218 | 107 | 1.8 | 21.438 | 497 | 9324 | 675 | 9325 | 450 | 107 | 3.69E-03 | GKR06 - 2A □□□ 090C22 MDSKA□□ 090-22 80 |
| 30 | 1198 | 4.6 | 3.431 | 76 | 9325 | 91 | 9326 | 200 | 733 | 4.56E-03 | GKR06 - 2A □□□ 090C22 MDSKA□□ 090-22 140 |
| 41 | 873 | 4.2 | 4.706 | 105 | 9325 | 125 | 9326 | 250 | 608 | 4.16E-03 | GKR06 - 2A □□□ 090C22 MDSKA□□ 090-22 140 |
| 53 | 682 | 3.7 | 6.022 | 134 | 9325 | 160 | 9326 | 280 | 517 | 3.97E-03 | GKR06 - 2A □□□ 090C22 MDSKA□□ 090-22 140 |
| 56 | 634 | 4.3 | 6.481 | 144 | 9325 | 172 | 9326 | 350 | 382 | 4.11E-03 | GKR06 - 2A □□□ 090C22 MDSKA□□ 090-22 140 |
| 63 | 575 | 3.9 | 7.146 | 159 | 9325 | 190 | 9326 | 348 | 339 | 4.05E-03 | GKR06 - 2A □□□ 090C22 MDSKA□□ 090-22 140 |
| 78 | 462 | 3.6 | 8.889 | 198 | 9325 | 237 | 9326 | 408 | 313 | 3.92E-03 | GKR06 - 2A □□□ 090C22 MDSKA□□ 090-22 140 |
| 86 | 419 | 3.1 | 9.800 | 218 | 9325 | 261 | 9326 | 384 | 274 | 3.89E-03 | GKR06 - 2A □□□ 090C22 MDSKA□□ 090-22 140 |
| 100 | 361 | 3.0 | 11.376 | 253 | 9325 | 303 | 9326 | 436 | 273 | 3.82E-03 | GKR06 - 2A □□□ 090C22 MDSKA□□ 090-22 140 |
| 110 | 330 | 2.9 | 12.444 | 277 | 9325 | 331 | 9326 | 450 | 250 | 3.79E-03 | GKR06 - 2A □□□ 090C22 MDSKA□□ 090-22 140 |
| 122 | 300 | 2.5 | 13.720 | 305 | 9325 | 365 | 9326 | 426 | 225 | 3.77E-03 | GKR06 - 2A □□□ 090C22 MDSKA□□ 090-22 140 |
| 141 | 259 | 2.2 | 15.873 | 353 | 9325 | 422 | 9326 | 450 | 196 | 3.73E-03 | GKR06 - 2A □□□ 090C22 MDSKA□□ 090-22 140 |
| 156 | 235 | 2.0 | 17.500 | 389 | 9325 | 466 | 9326 | 450 | 178 | 3.72E-03 | GKR06 - 2A □□□ 090C22 MDSKA□□ 090-22 140 |
| 174 | 211 | 1.8 | 19.444 | 432 | 9325 | 517 | 9326 | 450 | 160 | 3.70E-03 | GKR06 - 2A □□□ 090C22 MDSKA□□ 090-22 140 |
| 192 | 192 | 1.7 | 21.438 | 477 | 9325 | 570 | 9326 | 450 | 145 | 3.69E-03 | GKR06 - 2A □□□ 090C22 MDSKA□□ 090-22 140 |

Observe the notes for thermal dimensioning.

Selection tables - Bevel gearboxes

Forced ventilated asynchronous geared servo motors



| M ₂ [Nm] | n _{2 trans} [rpm] | c | i | M _{2 max} short-time on geared motor at | | | | M _{2 Gr} gearbox c=1 n ₁ ≤ 1400 rpm [Nm] | n _{2 therm} [rpm] | J _{GM} referred to motor shaft [kgm ²] | Bevel geared servo motor Dimensions on Page 5-28 |
|------------------------|-------------------------------|-----|--------|---|-------------|----------------------------|-------------|--|-------------------------------|---|---|
| | | | | 8 kHz | | 16 kHz | | | | | |
| | | | | M _{2 max} [Nm] | Type EVS | M _{2 max} [Nm] | Type EVS | | | | |
| 31 | 658 | 1.7 | 5.185 | 64 | 9324 | 94 | 9325 | 69 | 533 | 9.11E-04 | GKR04 - 2A □□□ 071C22 MDFKA□□ 071-22 120 |
| 35 | 572 | 1.5 | 5.963 | 74 | 9324 | 108 | 9325 | 72 | 441 | 9.02E-04 | GKR04 - 2A □□□ 071C22 MDFKA□□ 071-22 120 |
| 42 | 480 | 1.4 | 7.111 | 88 | 9324 | 116 | 9325 | 78 | 404 | 8.75E-04 | GKR04 - 2A □□□ 071C22 MDFKA□□ 071-22 120 |
| 49 | 417 | 1.3 | 8.178 | 101 | 9324 | 122 | 9325 | 81 | 337 | 8.71E-04 | GKR04 - 2A □□□ 071C22 MDFKA□□ 071-22 120 |
| 54 | 375 | 1.2 | 9.101 | 112 | 9324 | 127 | 9325 | 84 | 342 | 1.16E-03 | GKR04 - 2A □□□ 071C22 MDFKA□□ 071-22 120 |
| 63 | 326 | 1.1 | 10.466 | 129 | 9324 | 133 | 9325 | 89 | 286 | 8.60E-04 | GKR04 - 2A □□□ 071C22 MDFKA□□ 071-22 120 |
| 20 | 957 | 4.9 | 3.565 | 44 | 9324 | 64 | 9325 | 138 | 843 | 1.33E-03 | GKR05 - 2A □□□ 071C22 MDFKA□□ 071-22 120 |
| 28 | 698 | 3.8 | 4.889 | 60 | 9324 | 88 | 9325 | 147 | 687 | 1.11E-03 | GKR05 - 2A □□□ 071C22 MDFKA□□ 071-22 120 |
| 37 | 545 | 3.2 | 6.257 | 77 | 9324 | 113 | 9325 | 156 | 545 | 1.01E-03 | GKR05 - 2A □□□ 071C22 MDFKA□□ 071-22 120 |
| 40 | 495 | 3.3 | 6.883 | 85 | 9324 | 124 | 9325 | 179 | 404 | 1.09E-03 | GKR05 - 2A □□□ 071C22 MDFKA□□ 071-22 120 |
| 46 | 436 | 3.0 | 7.817 | 97 | 9324 | 141 | 9325 | 187 | 350 | 1.06E-03 | GKR05 - 2A □□□ 071C22 MDFKA□□ 071-22 120 |
| 56 | 361 | 2.6 | 9.440 | 117 | 9324 | 170 | 9325 | 191 | 329 | 9.83E-04 | GKR05 - 2A □□□ 071C22 MDFKA□□ 071-22 120 |
| 63 | 318 | 2.4 | 10.720 | 132 | 9324 | 194 | 9325 | 204 | 286 | 9.70E-04 | GKR05 - 2A □□□ 071C22 MDFKA□□ 071-22 120 |
| 71 | 282 | 2.2 | 12.081 | 149 | 9324 | 218 | 9325 | 208 | 274 | 9.32E-04 | GKR05 - 2A □□□ 071C22 MDFKA□□ 071-22 120 |
| 78 | 258 | 2.1 | 13.216 | 163 | 9324 | 239 | 9325 | 214 | 258 | 9.17E-04 | GKR05 - 2A □□□ 071C22 MDFKA□□ 071-22 120 |
| 81 | 249 | 2.0 | 13.719 | 169 | 9324 | 248 | 9325 | 217 | 238 | 9.24E-04 | GKR05 - 2A □□□ 071C22 MDFKA□□ 071-22 120 |
| 89 | 227 | 1.9 | 15.008 | 185 | 9324 | 271 | 9325 | 223 | 221 | 9.10E-04 | GKR05 - 2A □□□ 071C22 MDFKA□□ 071-22 120 |
| 100 | 202 | 1.8 | 16.857 | 208 | 9324 | 304 | 9325 | 240 | 202 | 8.90E-04 | GKR05 - 2A □□□ 071C22 MDFKA□□ 071-22 120 |
| 114 | 178 | 1.6 | 19.143 | 236 | 9324 | 346 | 9325 | 240 | 178 | 8.85E-04 | GKR05 - 2A □□□ 071C22 MDFKA□□ 071-22 120 |
| 123 | 165 | 1.5 | 20.650 | 255 | 9324 | 360 | 9325 | 240 | 165 | 8.74E-04 | GKR05 - 2A □□□ 071C22 MDFKA□□ 071-22 120 |
| 140 | 145 | 1.3 | 23.450 | 290 | 9324 | 360 | 9325 | 240 | 145 | 8.71E-04 | GKR05 - 2A □□□ 071C22 MDFKA□□ 071-22 120 |
| 160 | 127 | 1.3 | 26.878 | 332 | 9324 | 360 | 9325 | 240 | 127 | 8.57E-04 | GKR05 - 2A □□□ 071C22 MDFKA□□ 071-22 120 |
| 182 | 112 | 1.1 | 30.522 | 360 | 9324 | 360 | 9325 | 240 | 112 | 8.55E-04 | GKR05 - 2A □□□ 071C22 MDFKA□□ 071-22 120 |
| 200 | 102 | 1.0 | 33.433 | 360 | 9324 | 360 | 9325 | 240 | 102 | 8.49E-04 | GKR05 - 2A □□□ 071C22 MDFKA□□ 071-22 120 |
| 40 | 459 | 3.3 | 3.565 | 100 | 9324 | 73 | 9324 | 138 | 459 | 2.42E-03 | GKR05 - 2A □□□ 080C22 MDFKA□□ 080-22 60 |
| 55 | 334 | 2.6 | 4.889 | 138 | 9324 | 100 | 9324 | 147 | 334 | 2.20E-03 | GKR05 - 2A □□□ 080C22 MDFKA□□ 080-22 60 |
| 70 | 261 | 2.1 | 6.257 | 176 | 9324 | 128 | 9324 | 156 | 261 | 2.10E-03 | GKR05 - 2A □□□ 080C22 MDFKA□□ 080-22 60 |
| 77 | 238 | 2.2 | 6.883 | 194 | 9324 | 141 | 9324 | 179 | 238 | 2.18E-03 | GKR05 - 2A □□□ 080C22 MDFKA□□ 080-22 60 |
| 88 | 209 | 2.0 | 7.817 | 220 | 9324 | 160 | 9324 | 187 | 209 | 2.15E-03 | GKR05 - 2A □□□ 080C22 MDFKA□□ 080-22 60 |
| 107 | 173 | 1.7 | 9.440 | 266 | 9324 | 193 | 9324 | 191 | 173 | 2.07E-03 | GKR05 - 2A □□□ 080C22 MDFKA□□ 080-22 60 |
| 121 | 153 | 1.6 | 10.720 | 302 | 9324 | 219 | 9324 | 204 | 153 | 2.06E-03 | GKR05 - 2A □□□ 080C22 MDFKA□□ 080-22 60 |
| 137 | 135 | 1.5 | 12.081 | 312 | 9324 | 247 | 9324 | 208 | 135 | 2.02E-03 | GKR05 - 2A □□□ 080C22 MDFKA□□ 080-22 60 |
| 150 | 124 | 1.4 | 13.216 | 321 | 9324 | 270 | 9324 | 214 | 124 | 2.01E-03 | GKR05 - 2A □□□ 080C22 MDFKA□□ 080-22 60 |
| 156 | 119 | 1.3 | 13.719 | 325 | 9324 | 280 | 9324 | 217 | 119 | 2.01E-03 | GKR05 - 2A □□□ 080C22 MDFKA□□ 080-22 60 |

Observe the notes for thermal dimensioning.

Selection tables - Bevel gearboxes

Forced ventilated asynchronous geared servo motors

| M ₂ [Nm] | n ₂ trans [rpm] | c | i | M ₂ max short-time on geared motor at | | | | M ₂ Gr gearbox c=1 n ₁ ≤ 1400 rpm [Nm] | n ₂ therm [rpm] | J _{GM} referred to motor shaft [kgm ²] | Bevel geared servo motor Dimensions on Page 5-28 |
|------------------------|-------------------------------|-----|--------|---|-------------|----------------------------|-------------|--|-------------------------------|---|---|
| | | | | 8 kHz | | 16 kHz | | | | | |
| | | | | M ₂ max [Nm] | Type EVS | M ₂ max [Nm] | Type EVS | | | | |
| 171 | 109 | 1.3 | 15.008 | 335 | 9324 | 307 | 9324 | 223 | 109 | 2.00E-03 | GKR05 - 2A □□□ 080C22 MDFKA□□ 080-22 60 |
| 192 | 97 | 1.2 | 16.857 | 360 | 9324 | 344 | 9324 | 240 | 97 | 1.98E-03 | GKR05 - 2A □□□ 080C22 MDFKA□□ 080-22 60 |
| 218 | 85 | 1.1 | 19.143 | 360 | 9324 | 360 | 9324 | 240 | 85 | 1.98E-03 | GKR05 - 2A □□□ 080C22 MDFKA□□ 080-22 60 |
| 36 | 969 | 2.9 | 3.565 | 99 | 9325 | 72 | 9325 | 138 | 757 | 2.42E-03 | GKR05 - 2A □□□ 080C22 MDFKA□□ 080-22 120 |
| 50 | 707 | 2.2 | 4.889 | 136 | 9325 | 99 | 9325 | 147 | 616 | 2.20E-03 | GKR05 - 2A □□□ 080C22 MDFKA□□ 080-22 120 |
| 64 | 552 | 1.8 | 6.257 | 174 | 9325 | 126 | 9325 | 156 | 501 | 2.10E-03 | GKR05 - 2A □□□ 080C22 MDFKA□□ 080-22 120 |
| 70 | 502 | 1.9 | 6.883 | 192 | 9325 | 139 | 9325 | 179 | 356 | 2.18E-03 | GKR05 - 2A □□□ 080C22 MDFKA□□ 080-22 120 |
| 80 | 442 | 1.8 | 7.817 | 218 | 9325 | 157 | 9325 | 187 | 299 | 2.15E-03 | GKR05 - 2A □□□ 080C22 MDFKA□□ 080-22 120 |
| 96 | 366 | 1.5 | 9.440 | 263 | 9325 | 190 | 9325 | 191 | 266 | 2.07E-03 | GKR05 - 2A □□□ 080C22 MDFKA□□ 080-22 120 |
| 110 | 322 | 1.4 | 10.720 | 298 | 9325 | 216 | 9325 | 204 | 227 | 2.06E-03 | GKR05 - 2A □□□ 080C22 MDFKA□□ 080-22 120 |
| 124 | 286 | 1.3 | 12.081 | 312 | 9325 | 243 | 9325 | 208 | 218 | 2.02E-03 | GKR05 - 2A □□□ 080C22 MDFKA□□ 080-22 120 |
| 135 | 261 | 1.2 | 13.216 | 321 | 9325 | 266 | 9325 | 214 | 204 | 2.01E-03 | GKR05 - 2A □□□ 080C22 MDFKA□□ 080-22 120 |
| 141 | 252 | 1.2 | 13.719 | 325 | 9325 | 276 | 9325 | 217 | 185 | 2.01E-03 | GKR05 - 2A □□□ 080C22 MDFKA□□ 080-22 120 |
| 154 | 230 | 1.1 | 15.008 | 335 | 9325 | 302 | 9325 | 223 | 174 | 2.00E-03 | GKR05 - 2A □□□ 080C22 MDFKA□□ 080-22 120 |
| 173 | 205 | 1.1 | 16.857 | 360 | 9325 | 340 | 9325 | 240 | 178 | 1.98E-03 | GKR05 - 2A □□□ 080C22 MDFKA□□ 080-22 120 |
| 34 | 566 | 5.1 | 6.022 | 74 | 9324 | 109 | 9325 | 241 | 566 | 1.20E-03 | GKR06 - 2A □□□ 071C22 MDFKA□□ 071-22 120 |
| 65 | 300 | 4.9 | 11.376 | 141 | 9324 | 205 | 9325 | 436 | 300 | 1.05E-03 | GKR06 - 2A □□□ 071C22 MDFKA□□ 071-22 120 |
| 72 | 274 | 4.6 | 12.444 | 154 | 9324 | 225 | 9325 | 450 | 274 | 1.02E-03 | GKR06 - 2A □□□ 071C22 MDFKA□□ 071-22 120 |
| 80 | 249 | 3.9 | 13.720 | 169 | 9324 | 248 | 9325 | 426 | 247 | 1.00E-03 | GKR06 - 2A □□□ 071C22 MDFKA□□ 071-22 120 |
| 92 | 215 | 3.6 | 15.873 | 196 | 9324 | 287 | 9325 | 450 | 215 | 9.62E-04 | GKR06 - 2A □□□ 071C22 MDFKA□□ 071-22 120 |
| 102 | 195 | 3.3 | 17.500 | 216 | 9324 | 316 | 9325 | 450 | 195 | 9.53E-04 | GKR06 - 2A □□□ 071C22 MDFKA□□ 071-22 120 |
| 114 | 175 | 2.9 | 19.444 | 240 | 9324 | 351 | 9325 | 450 | 175 | 9.29E-04 | GKR06 - 2A □□□ 071C22 MDFKA□□ 071-22 120 |
| 126 | 159 | 2.7 | 21.438 | 265 | 9324 | 387 | 9325 | 450 | 159 | 9.23E-04 | GKR06 - 2A □□□ 071C22 MDFKA□□ 071-22 120 |
| 149 | 135 | 2.6 | 25.309 | 313 | 9324 | 457 | 9325 | 450 | 135 | 8.93E-04 | GKR06 - 2A □□□ 071C22 MDFKA□□ 071-22 120 |
| 165 | 122 | 2.3 | 27.903 | 345 | 9324 | 504 | 9325 | 450 | 122 | 8.89E-04 | GKR06 - 2A □□□ 071C22 MDFKA□□ 071-22 120 |
| 186 | 108 | 2.1 | 31.481 | 389 | 9324 | 568 | 9325 | 450 | 108 | 8.76E-04 | GKR06 - 2A □□□ 071C22 MDFKA□□ 071-22 120 |
| 206 | 98 | 1.9 | 34.708 | 429 | 9324 | 627 | 9325 | 450 | 98 | 8.73E-04 | GKR06 - 2A □□□ 071C22 MDFKA□□ 071-22 120 |
| 242 | 84 | 1.8 | 40.741 | 503 | 9324 | 675 | 9325 | 450 | 84 | 8.58E-04 | GKR06 - 2A □□□ 071C22 MDFKA□□ 071-22 120 |
| 267 | 76 | 1.6 | 44.917 | 555 | 9324 | 675 | 9325 | 450 | 76 | 8.57E-04 | GKR06 - 2A □□□ 071C22 MDFKA□□ 071-22 120 |
| 295 | 69 | 1.5 | 49.444 | 611 | 9324 | 675 | 9325 | 450 | 69 | 8.51E-04 | GKR06 - 2A □□□ 071C22 MDFKA□□ 071-22 120 |
| 325 | 63 | 1.3 | 54.513 | 673 | 9324 | 675 | 9325 | 450 | 63 | 8.50E-04 | GKR06 - 2A □□□ 071C22 MDFKA□□ 071-22 120 |
| 37 | 476 | 5.0 | 3.431 | 97 | 9324 | 70 | 9324 | 200 | 476 | 2.88E-03 | GKR06 - 2A □□□ 080C22 MDFKA□□ 080-22 60 |
| 52 | 347 | 4.5 | 4.706 | 132 | 9324 | 96 | 9324 | 250 | 347 | 2.48E-03 | GKR06 - 2A □□□ 080C22 MDFKA□□ 080-22 60 |
| 67 | 271 | 4.0 | 6.022 | 169 | 9324 | 123 | 9324 | 280 | 271 | 2.29E-03 | GKR06 - 2A □□□ 080C22 MDFKA□□ 080-22 60 |

Observe the notes for thermal dimensioning.

Selection tables - Bevel gearboxes

Forced ventilated asynchronous geared servo motors



| M ₂ [Nm] | n ₂ trans [rpm] | c | i | M ₂ max short-time on geared motor at | | | | M ₂ Gr gearbox c=1 n ₁ ≤ 1400 rpm [Nm] | n ₂ therm [rpm] | J _{GM} referred to motor shaft [kgm ²] | Bevel geared servo motor Dimensions on Page 5-28 |
|------------------------|-------------------------------|-----|--------|---|-------------|----------------------------|-------------|--|-------------------------------|---|---|
| | | | | 8 kHz | | 16 kHz | | | | | |
| | | | | M ₂ max [Nm] | Type EVS | M ₂ max [Nm] | Type EVS | | | | |
| 71 | 252 | 4.6 | 6.481 | 182 | 9324 | 132 | 9324 | 350 | 252 | 2.43E-03 | GKR06 - 2A □□□ 080C22 MDFKA□□ 080-22 60 |
| 79 | 229 | 4.2 | 7.146 | 201 | 9324 | 146 | 9324 | 348 | 229 | 2.37E-03 | GKR06 - 2A □□□ 080C22 MDFKA□□ 080-22 60 |
| 98 | 184 | 3.9 | 8.889 | 250 | 9324 | 182 | 9324 | 408 | 184 | 2.24E-03 | GKR06 - 2A □□□ 080C22 MDFKA□□ 080-22 60 |
| 109 | 167 | 3.3 | 9.800 | 276 | 9324 | 200 | 9324 | 384 | 167 | 2.21E-03 | GKR06 - 2A □□□ 080C22 MDFKA□□ 080-22 60 |
| 127 | 144 | 3.3 | 11.376 | 320 | 9324 | 232 | 9324 | 436 | 144 | 2.14E-03 | GKR06 - 2A □□□ 080C22 MDFKA□□ 080-22 60 |
| 139 | 131 | 3.1 | 12.444 | 350 | 9324 | 254 | 9324 | 450 | 131 | 2.11E-03 | GKR06 - 2A □□□ 080C22 MDFKA□□ 080-22 60 |
| 154 | 119 | 2.6 | 13.720 | 386 | 9324 | 280 | 9324 | 426 | 119 | 2.09E-03 | GKR06 - 2A □□□ 080C22 MDFKA□□ 080-22 60 |
| 178 | 103 | 2.4 | 15.873 | 446 | 9324 | 324 | 9324 | 450 | 103 | 2.05E-03 | GKR06 - 2A □□□ 080C22 MDFKA□□ 080-22 60 |
| 197 | 93 | 2.2 | 17.500 | 492 | 9324 | 358 | 9324 | 450 | 93 | 2.04E-03 | GKR06 - 2A □□□ 080C22 MDFKA□□ 080-22 60 |
| 219 | 84 | 2.0 | 19.444 | 547 | 9324 | 397 | 9324 | 450 | 84 | 2.02E-03 | GKR06 - 2A □□□ 080C22 MDFKA□□ 080-22 60 |
| 242 | 76 | 1.8 | 21.438 | 603 | 9324 | 438 | 9324 | 450 | 76 | 2.01E-03 | GKR06 - 2A □□□ 080C22 MDFKA□□ 080-22 60 |
| 287 | 65 | 1.6 | 25.309 | 675 | 9324 | 517 | 9324 | 450 | 65 | 1.98E-03 | GKR06 - 2A □□□ 080C22 MDFKA□□ 080-22 60 |
| 317 | 59 | 1.4 | 27.903 | 675 | 9324 | 570 | 9324 | 450 | 59 | 1.98E-03 | GKR06 - 2A □□□ 080C22 MDFKA□□ 080-22 60 |
| 358 | 52 | 1.3 | 31.481 | 675 | 9324 | 643 | 9324 | 450 | 52 | 1.97E-03 | GKR06 - 2A □□□ 080C22 MDFKA□□ 080-22 60 |
| 395 | 47 | 1.1 | 34.708 | 675 | 9324 | 675 | 9324 | 450 | 47 | 1.96E-03 | GKR06 - 2A □□□ 080C22 MDFKA□□ 080-22 60 |
| 34 | 1007 | 4.3 | 3.431 | 96 | 9325 | 69 | 9325 | 200 | 722 | 2.88E-03 | GKR06 - 2A □□□ 080C22 MDFKA□□ 080-22 120 |
| 47 | 734 | 3.9 | 4.706 | 131 | 9325 | 95 | 9325 | 250 | 600 | 2.48E-03 | GKR06 - 2A □□□ 080C22 MDFKA□□ 080-22 120 |
| 60 | 574 | 3.4 | 6.022 | 168 | 9325 | 121 | 9325 | 280 | 529 | 2.29E-03 | GKR06 - 2A □□□ 080C22 MDFKA□□ 080-22 120 |
| 64 | 533 | 4.0 | 6.481 | 180 | 9325 | 131 | 9325 | 350 | 376 | 2.43E-03 | GKR06 - 2A □□□ 080C22 MDFKA□□ 080-22 120 |
| 71 | 484 | 3.6 | 7.146 | 199 | 9325 | 144 | 9325 | 348 | 334 | 2.37E-03 | GKR06 - 2A □□□ 080C22 MDFKA□□ 080-22 120 |
| 89 | 389 | 3.4 | 8.889 | 247 | 9325 | 179 | 9325 | 408 | 308 | 2.24E-03 | GKR06 - 2A □□□ 080C22 MDFKA□□ 080-22 120 |
| 99 | 353 | 2.9 | 9.800 | 273 | 9325 | 197 | 9325 | 384 | 270 | 2.21E-03 | GKR06 - 2A □□□ 080C22 MDFKA□□ 080-22 120 |
| 114 | 304 | 2.8 | 11.376 | 317 | 9325 | 229 | 9325 | 436 | 269 | 2.14E-03 | GKR06 - 2A □□□ 080C22 MDFKA□□ 080-22 120 |
| 125 | 278 | 2.7 | 12.444 | 346 | 9325 | 251 | 9325 | 450 | 252 | 2.11E-03 | GKR06 - 2A □□□ 080C22 MDFKA□□ 080-22 120 |
| 139 | 252 | 2.3 | 13.720 | 382 | 9325 | 276 | 9325 | 426 | 221 | 2.09E-03 | GKR06 - 2A □□□ 080C22 MDFKA□□ 080-22 120 |
| 161 | 218 | 2.1 | 15.873 | 442 | 9325 | 320 | 9325 | 450 | 209 | 2.05E-03 | GKR06 - 2A □□□ 080C22 MDFKA□□ 080-22 120 |
| 178 | 197 | 1.9 | 17.500 | 487 | 9325 | 353 | 9325 | 450 | 184 | 2.04E-03 | GKR06 - 2A □□□ 080C22 MDFKA□□ 080-22 120 |
| 198 | 178 | 1.7 | 19.444 | 541 | 9325 | 392 | 9325 | 450 | 178 | 2.02E-03 | GKR06 - 2A □□□ 080C22 MDFKA□□ 080-22 120 |
| 219 | 161 | 1.5 | 21.438 | 597 | 9325 | 432 | 9325 | 450 | 159 | 2.01E-03 | GKR06 - 2A □□□ 080C22 MDFKA□□ 080-22 120 |
| 258 | 137 | 1.5 | 25.309 | 675 | 9325 | 510 | 9325 | 450 | 137 | 1.98E-03 | GKR06 - 2A □□□ 080C22 MDFKA□□ 080-22 120 |
| 285 | 124 | 1.4 | 27.903 | 675 | 9325 | 562 | 9325 | 450 | 124 | 1.98E-03 | GKR06 - 2A □□□ 080C22 MDFKA□□ 080-22 120 |
| 322 | 110 | 1.2 | 31.481 | 675 | 9325 | 634 | 9325 | 450 | 110 | 1.97E-03 | GKR06 - 2A □□□ 080C22 MDFKA□□ 080-22 120 |
| 356 | 100 | 1.1 | 34.708 | 675 | 9325 | 675 | 9325 | 450 | 100 | 1.96E-03 | GKR06 - 2A □□□ 080C22 MDFKA□□ 080-22 120 |
| 69 | 490 | 2.7 | 3.431 | 187 | 9325 | 137 | 9325 | 200 | 490 | 4.56E-03 | GKR06 - 2A □□□ 090C22 MDFKA□□ 090-22 60 |

Observe the notes for thermal dimensioning.

Selection tables - Bevel gearboxes

Forced ventilated asynchronous geared servo motors

| M ₂ [Nm] | n ₂ trans [rpm] | c | i | M ₂ max short-time on geared motor at | | | | M ₂ Gr gearbox c=1 n ₁ ≤ 1400 rpm [Nm] | n ₂ therm [rpm] | J _{GM} referred to motor shaft [kgm ²] | Bevel geared servo motor Dimensions on Page 5-28 |
|------------------------|-------------------------------|-----|--------|---|-------------|----------------------------|-------------|--|-------------------------------|---|---|
| | | | | 8 kHz | | 16 kHz | | | | | |
| | | | | M ₂ max [Nm] | Type EVS | M ₂ max [Nm] | Type EVS | | | | |
| 95 | 357 | 2.5 | 4.706 | 256 | 9325 | 188 | 9325 | 250 | 357 | 4.16E-03 | GKR06 - 2A □□□ 090C22 MDFKA□□ 090-22 60 |
| 121 | 279 | 2.2 | 6.022 | 327 | 9325 | 240 | 9325 | 280 | 279 | 3.97E-03 | GKR06 - 2A □□□ 090C22 MDFKA□□ 090-22 60 |
| 130 | 259 | 2.5 | 6.481 | 352 | 9325 | 259 | 9325 | 350 | 259 | 4.11E-03 | GKR06 - 2A □□□ 090C22 MDFKA□□ 090-22 60 |
| 144 | 235 | 2.3 | 7.146 | 388 | 9325 | 285 | 9325 | 348 | 235 | 4.05E-03 | GKR06 - 2A □□□ 090C22 MDFKA□□ 090-22 60 |
| 179 | 189 | 2.2 | 8.889 | 483 | 9325 | 355 | 9325 | 408 | 189 | 3.92E-03 | GKR06 - 2A □□□ 090C22 MDFKA□□ 090-22 60 |
| 198 | 171 | 1.8 | 9.800 | 533 | 9325 | 391 | 9325 | 384 | 171 | 3.89E-03 | GKR06 - 2A □□□ 090C22 MDFKA□□ 090-22 60 |
| 230 | 148 | 1.8 | 11.376 | 618 | 9325 | 454 | 9325 | 436 | 148 | 3.82E-03 | GKR06 - 2A □□□ 090C22 MDFKA□□ 090-22 60 |
| 252 | 135 | 1.7 | 12.444 | 675 | 9325 | 497 | 9325 | 450 | 135 | 3.79E-03 | GKR06 - 2A □□□ 090C22 MDFKA□□ 090-22 60 |
| 279 | 122 | 1.5 | 13.720 | 639 | 9325 | 548 | 9325 | 426 | 122 | 3.77E-03 | GKR06 - 2A □□□ 090C22 MDFKA□□ 090-22 60 |
| 323 | 106 | 1.3 | 15.873 | 675 | 9325 | 633 | 9325 | 450 | 106 | 3.73E-03 | GKR06 - 2A □□□ 090C22 MDFKA□□ 090-22 60 |
| 357 | 96 | 1.2 | 17.500 | 675 | 9325 | 675 | 9325 | 450 | 96 | 3.72E-03 | GKR06 - 2A □□□ 090C22 MDFKA□□ 090-22 60 |
| 397 | 86 | 1.1 | 19.444 | 675 | 9325 | 675 | 9325 | 450 | 86 | 3.70E-03 | GKR06 - 2A □□□ 090C22 MDFKA□□ 090-22 60 |
| 61 | 1014 | 2.4 | 3.431 | 165 | 9326 | 145 | 9327 | 200 | 638 | 4.56E-03 | GKR06 - 2A □□□ 090C22 MDFKA□□ 090-22 120 |
| 84 | 740 | 2.2 | 4.706 | 227 | 9326 | 199 | 9327 | 250 | 531 | 4.16E-03 | GKR06 - 2A □□□ 090C22 MDFKA□□ 090-22 120 |
| 108 | 578 | 1.9 | 6.022 | 290 | 9326 | 255 | 9327 | 280 | 467 | 3.97E-03 | GKR06 - 2A □□□ 090C22 MDFKA□□ 090-22 120 |
| 115 | 537 | 2.3 | 6.481 | 312 | 9326 | 275 | 9327 | 350 | 332 | 4.11E-03 | GKR06 - 2A □□□ 090C22 MDFKA□□ 090-22 120 |
| 128 | 487 | 2.0 | 7.146 | 344 | 9326 | 303 | 9327 | 348 | 294 | 4.05E-03 | GKR06 - 2A □□□ 090C22 MDFKA□□ 090-22 120 |
| 159 | 392 | 1.9 | 8.889 | 428 | 9326 | 377 | 9327 | 408 | 270 | 3.92E-03 | GKR06 - 2A □□□ 090C22 MDFKA□□ 090-22 120 |
| 176 | 355 | 1.6 | 9.800 | 472 | 9326 | 415 | 9327 | 384 | 223 | 3.89E-03 | GKR06 - 2A □□□ 090C22 MDFKA□□ 090-22 120 |
| 204 | 306 | 1.6 | 11.376 | 548 | 9326 | 482 | 9327 | 436 | 220 | 3.82E-03 | GKR06 - 2A □□□ 090C22 MDFKA□□ 090-22 120 |
| 223 | 280 | 1.5 | 12.444 | 599 | 9326 | 527 | 9327 | 450 | 204 | 3.79E-03 | GKR06 - 2A □□□ 090C22 MDFKA□□ 090-22 120 |
| 247 | 254 | 1.3 | 13.720 | 639 | 9326 | 581 | 9327 | 426 | 171 | 3.77E-03 | GKR06 - 2A □□□ 090C22 MDFKA□□ 090-22 120 |
| 286 | 219 | 1.2 | 15.873 | 675 | 9326 | 673 | 9327 | 450 | 163 | 3.73E-03 | GKR06 - 2A □□□ 090C22 MDFKA□□ 090-22 120 |
| 316 | 199 | 1.1 | 17.500 | 675 | 9326 | 675 | 9327 | 450 | 142 | 3.72E-03 | GKR06 - 2A □□□ 090C22 MDFKA□□ 090-22 120 |

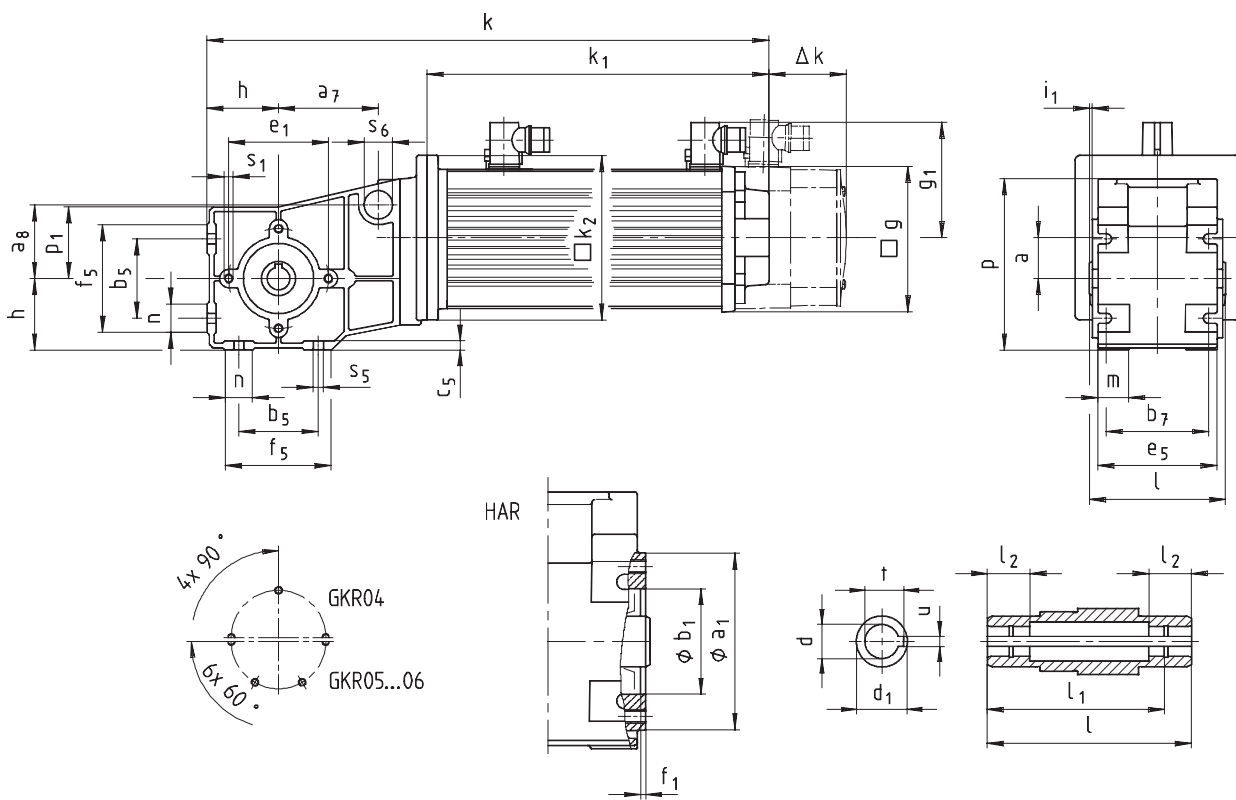
Observe the notes for thermal dimensioning.



Dimensions - Bevel gearboxes

Geared servo motors with resolver

GKR□□ - 2^A_S H□R



Dimensions - Bevel gearboxes

Geared servo motors with resolver



| Geared servo motor | | S (synchronous servo motors) | | | | | A (asynchronous servo motors) | | | | | | | | |
|------------------------------|-------------------------------------|------------------------------|----------------|-----|-----|-----|-------------------------------|-----|-----|-----|-----|-----|-----|-----|-----|
| GKR□□ - 2 ^A S H□R | | 056 | | 071 | | | 056 | 071 | 080 | 090 | | | | | |
| | | C23 | C33 | C03 | C13 | C33 | C22 | C22 | C22 | C22 | | | | | |
| Motor | g | 102 | 102 | 131 | 131 | 131 | 102 | 131 | 142 | 165 | | | | | |
| | g ₁ | 90 | 90 | 102 | 102 | 102 | 90 | 102 | 109 | 118 | | | | | |
| | k ₂ | 145 | 145 | 145 | 145 | 145 | 145 | 145 | 180 | 180 | | | | | |
| | k ₁ naturally ventilated | 207 | 242 | 215 | 250 | 285 | 258 | 267 | 307 | 346 | | | | | |
| | Δk** naturally ventilated+brake | 27 | 27 | 35 | 35 | 35 | 25 | 35 | 33 | 35 | | | | | |
| | forced ventilated | - | - | 68 | 68 | 68 | - | 68 | 62 | 89 | | | | | |
| | forced ventilated+brake | - | - | 103 | 103 | 103 | - | 103 | 95 | 124 | | | | | |
| Gearbox size | Gearbox Overall length | | | | | | k | | | | | | | | |
| | l* | p* | p ₁ | a | h | o | | | | | | | | | |
| 04 | 120 | 151 | 63 | 36 | 63 | 189 | 407 | 442 | 416 | 451 | 486 | 459 | 467 | | |
| 05 | 143 | 181 | 82 | 40 | 80 | 251 | 461 | 496 | 469 | 504 | 539 | 512 | 521 | 571 | |
| 06 | 170 | 226 | 100 | 51 | 100 | 307 | 512 | 547 | 521 | 556 | 591 | 564 | 572 | 622 | 661 |

| Gearbox size | Hollow shaft | | | | | | | Pitch circle | | | | | |
|--------------|-----------------------|-----|----------------|----------------|----------------|----------|-------------------------|----------------|----------------------|----------------|----------------|----------------|----------------|
| | d ²⁾ H7 | l | d ₁ | l ₁ | l ₂ | u JS9 | t ¹⁾ +0.1 | a ₁ | b ₁ J7 | e ₁ | f ₁ | i ₁ | s ₁ |
| 04 | 20 25 | 120 | 30 35 | 105 | 25 | 6 8 | 22.8 27.0 | 104 | 62 | 88 | 3 | 2.5 | M8x16 |
| 05 | 30 35 | 143 | 50 | 127 | 25 | 8 10 | 33.3 38.3 | 116 | 80 | 100 | 4 | 4 | M8x15 |
| 06 | 40 45 | 170 | 65 | 150 | 30 | 12 14 | 43.3 48.8 | 140 | 100 | 120 | 4 | 5 | M10x22 |

| Gearbox size | Foot | | | | | | | | | Torque plate | | |
|--------------|----------------|----------------|----------------|----------------|----------------|----|----|----------------|----------------|----------------|----------------|--|
| | b ₅ | b ₇ | c ₅ | e ₅ | f ₅ | n | m | s ₅ | a ₇ | a ₈ | s ₆ | |
| 04 | 70 | 90 | 8 | 105 | 95 | 25 | 28 | 9 | 88 | 65 | 25x17 | |
| 05 | 100 | 100 | 11 | 115 | 138 | 48 | 27 | 9 | - | - | - | |
| 06 | 120 | 125 | 12 | 145 | 164 | 53 | 32 | 11 | - | - | - | |

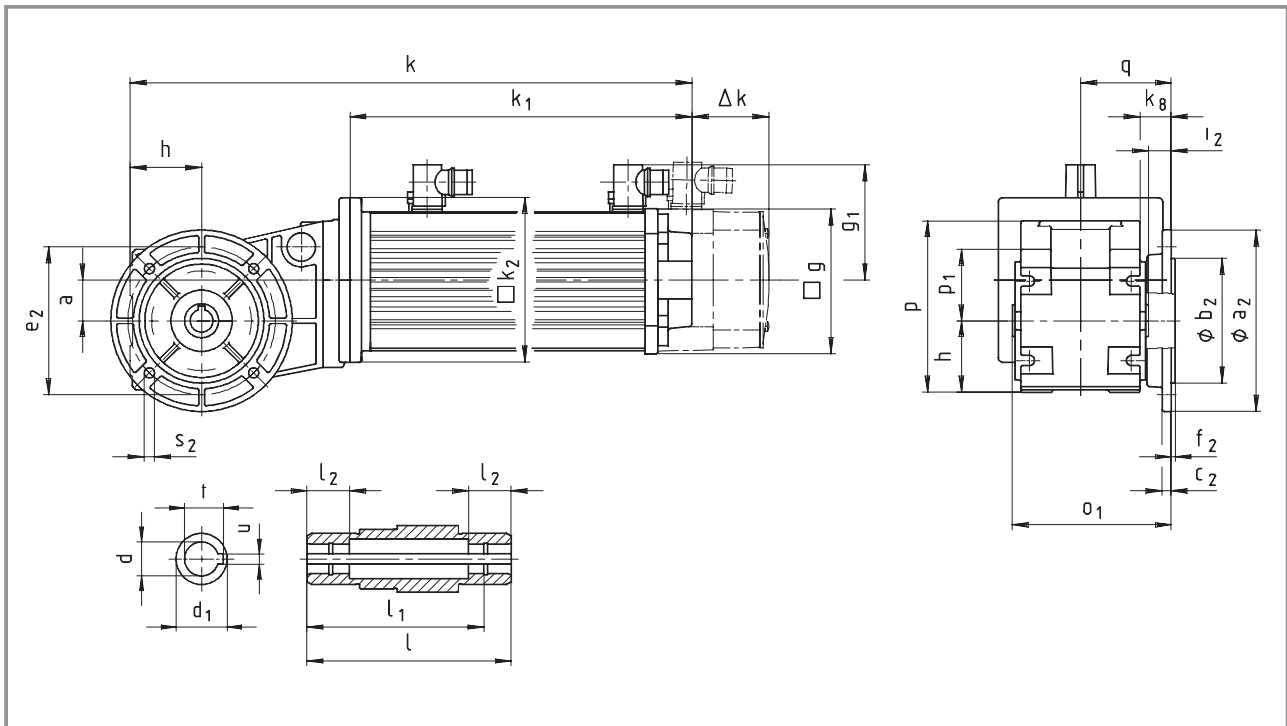
Dimensions in [mm] * Observe dimension k₂ ** See page 8-34 for more built-on accessories for motors

¹⁾ With hollow shaft d = 25 mm, use flat keyway to DIN 6885/3.

²⁾ Only in the l₂ range

Dimensions - Bevel gearboxes

Geared servo motors with resolver



| Geared servo motor | | S (synchronous servo motors) | | | | | A (asynchronous servo motors) | | | | | | | | | | |
|---|-------------------------------------|------------------------------|----------------|-----|-----|----------------|-------------------------------|-------|----------------|-----|-----|-----|-----|-----|-----|-----|-----|
| GKR□□ - 2 ^A _S HAK | | 056 | | 071 | | | 056 | 071 | 080 | 090 | | | | | | | |
| | | C23 | C33 | C03 | C13 | C33 | C22 | C22 | C22 | C22 | | | | | | | |
| Motor | g | 102 | 102 | 131 | 131 | 131 | 102 | 131 | 142 | 165 | | | | | | | |
| | g ₁ | 90 | 90 | 102 | 102 | 102 | 90 | 102 | 109 | 118 | | | | | | | |
| | k ₂ | 145 | 145 | 145 | 145 | 145 | 145 | 145 | 180 | 180 | | | | | | | |
| | k ₁ naturally ventilated | 207 | 242 | 215 | 250 | 285 | 258 | 267 | 307 | 346 | | | | | | | |
| | Δk** naturally ventilated+brake | 27 | 27 | 35 | 35 | 35 | 25 | 35 | 33 | 35 | | | | | | | |
| | forced ventilated | - | - | 68 | 68 | 68 | - | 68 | 62 | 89 | | | | | | | |
| | forced ventilated+brake | - | - | 103 | 103 | 103 | - | 103 | 95 | 124 | | | | | | | |
| Gearbox size | Gearbox | | | | | | | | Overall length | | | | | | | | |
| | o ₁ * | p* | p ₁ | a | h | k ₈ | o | q | k | | | | | | | | |
| 04 | 140 | 151 | 63 | 36 | 63 | 28 | 189 | 80 | 407 | 442 | 416 | 451 | 486 | 459 | 467 | | |
| 05 | 177 | 181 | 82 | 40 | 80 | 47 | 251 | 105 | 461 | 496 | 469 | 504 | 539 | 512 | 521 | 571 | |
| 06 | 212 | 226 | 100 | 51 | 100 | 54 | 307 | 126.5 | 512 | 547 | 521 | 556 | 591 | 564 | 572 | 622 | 661 |

| Gearbox size | Hollow shaft | | | | Output flange | | | | | | | | | | |
|--------------|-----------------------|-----|----------------|----------------|----------------|----------|-------------------------|----------------|----------------------|----------------|----------------|----------------|----------------|---------------------------|--|
| | d ²⁾ H7 | l | d ₁ | l ₁ | l ₂ | u JS9 | t ¹⁾ +0.1 | a ₂ | b ₂ j7 | c ₂ | e ₂ | f ₂ | i ₂ | s ₂ 4 x 90° | |
| 04 | 20 | 120 | 30 | 105 | 25 | 6 | 22.8 | 120 | 80 | 8 | 100 | 3 | 20 | 7 | |
| | 25 | | 35 | | | 8 | 27.0 | 160 | 110 | | | 3.5 | | 9 | |
| 05 | 30 | 143 | 50 | 127.5 | 25 | 8 | 33.3 | 160 | 110 | 12 | 130 | 3.5 | 33.5 | 9 | |
| | 35 | | | | | 10 | 38.3 | 200 | 130 | | | | | 11 | |
| 06 | 40 | 107 | 65 | 150 | 30 | 12 | 43.3 | 200 | 130 | 12 | 165 | 3.5 | 41.5 | 11 | |
| | 45 | | | | | 14 | 48.8 | 250 | 180 | | | | | 14 | |

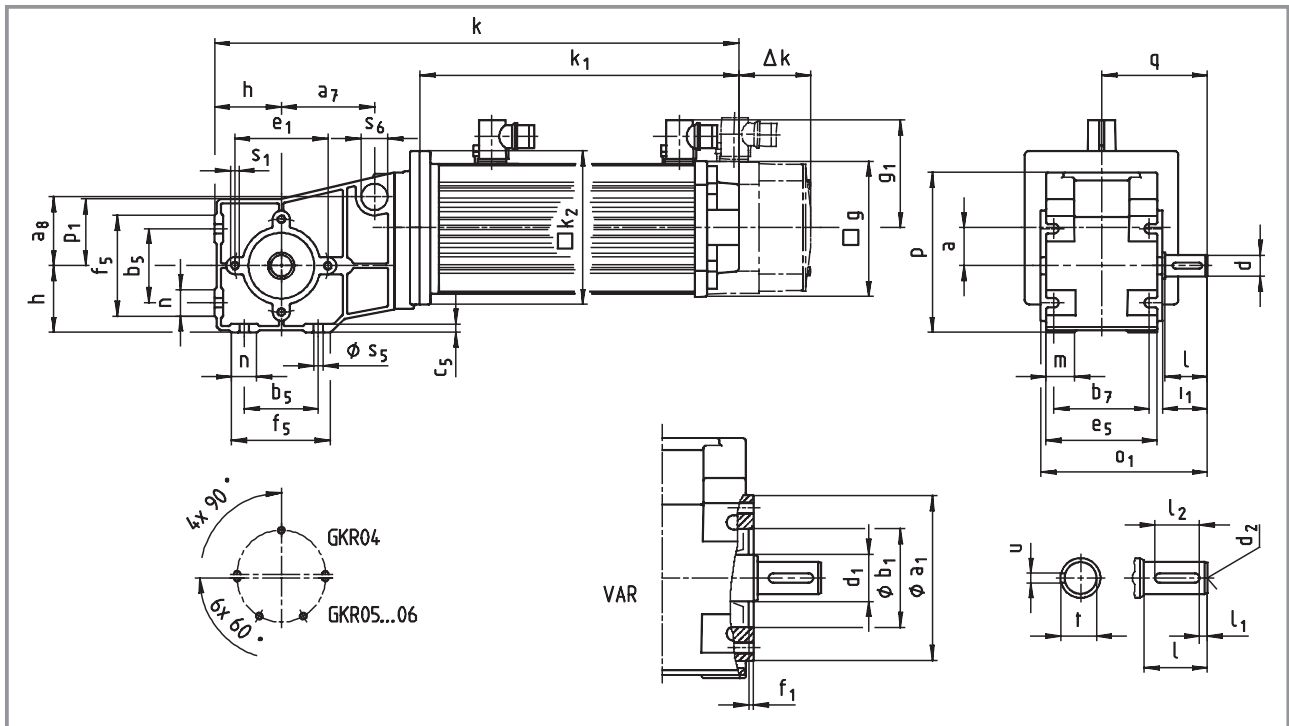
Dimensions in [mm] * Observe dimension k₂ ** See page 8-34 for more built-on accessories for motors

1) With hollow shaft d = 25 mm, use flat keyway to DIN 6885/3.

2) Only in the l₂ range

Dimensions - Bevel gearboxes

Geared servo motors with resolver



| Geared servo motor | | S (synchronous servo motors) | | | | | A (asynchronous servo motors) | | | | | | | | | |
|---|-------------------------------------|------------------------------|----------------|-----|-----|-----|-------------------------------|-----|-----|-----|-----|-----|-----|-----|-----|-----|
| GKR□□ - 2 ^A _S V□□ | | 056 | | 071 | | | 056 | 071 | 080 | 090 | | | | | | |
| | | C23 | C33 | C03 | C13 | C33 | C22 | C22 | C22 | C22 | | | | | | |
| Motor | g | 102 | 102 | 131 | 131 | 131 | 102 | 131 | 142 | 165 | | | | | | |
| | g ₁ | 90 | 90 | 102 | 102 | 102 | 90 | 102 | 109 | 118 | | | | | | |
| | k ₂ | 145 | 145 | 145 | 145 | 145 | 145 | 145 | 180 | 180 | | | | | | |
| | k ₁ naturally ventilated | 207 | 242 | 215 | 250 | 285 | 258 | 267 | 307 | 346 | | | | | | |
| | Δk** naturally ventilated+brake | 27 | 27 | 35 | 35 | 35 | 25 | 35 | 33 | 35 | | | | | | |
| | forced ventilated | - | - | 68 | 68 | 68 | - | 68 | 62 | 89 | | | | | | |
| | forced ventilated+brake | - | - | 103 | 103 | 103 | - | 103 | 95 | 124 | | | | | | |
| Gearbox size | Gearbox Overall length | | | | | | | k | | | | | | | | |
| | o ₁ * | p* | p ₁ | a | h | o | q | | | | | | | | | |
| 04 | 158 | 151 | 63 | 36 | 63 | 189 | 100 | 407 | 442 | 416 | 451 | 486 | 459 | 467 | | |
| 05 | 199 | 181 | 82 | 40 | 80 | 251 | 131.5 | 461 | 496 | 469 | 504 | 539 | 512 | 521 | 571 | |
| 06 | 235 | 226 | 100 | 51 | 100 | 307 | 155 | 512 | 547 | 521 | 556 | 591 | 564 | 572 | 622 | 661 |

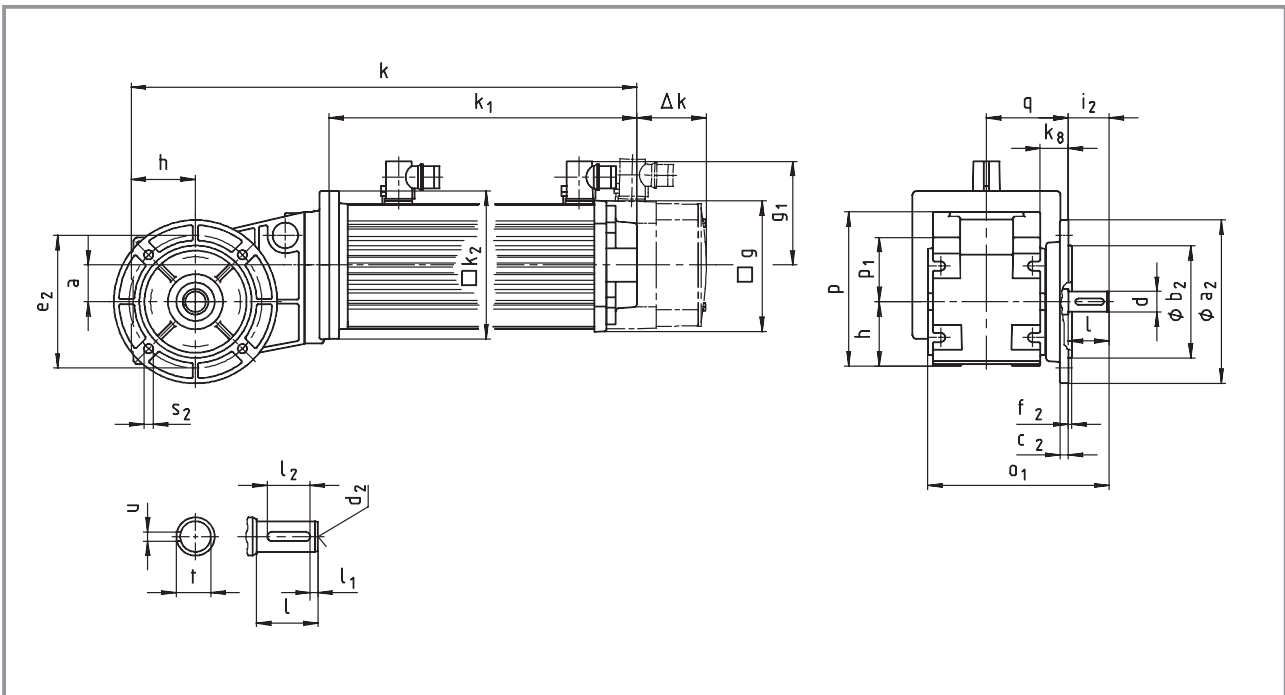
| Gearbox size | Solid shaft | | | | | | | | | Pitch circle | | | | | |
|--------------|-------------|----|----------------|----------------|----------------|----------------|----|------|----------------|----------------------|----------------|----------------|----------------|----------------|--|
| | d k6 | l | d ₁ | l ₁ | l ₂ | d ₂ | u | t | a ₁ | b ₁ J7 | e ₁ | f ₁ | i ₁ | s ₁ | |
| 04 | 20 | 40 | 30 | 5 | 28 | M6 | 6 | 22.5 | 104 | 62 | 88 | 3 | 42.5 | M8x16 | |
| 05 | 30 | 60 | 50 | 6 | 45 | M10 | 8 | 33 | 116 | 80 | 100 | 4 | 64 | M8x15 | |
| 06 | 35 | 70 | 65 | 7 | 56 | M12 | 10 | 38 | 140 | 100 | 120 | 4 | 75 | M10x22 | |

| Gearbox size | Foot | | | | | | | | | Torque plate | | |
|--------------|----------------|----------------|----------------|----------------|----------------|----|----|----------------|----------------|----------------|----------------|--|
| | b ₅ | b ₇ | c ₅ | e ₅ | f ₅ | n | m | s ₅ | a ₇ | a ₈ | s ₆ | |
| 04 | 70 | 90 | 8 | 105 | 95 | 25 | 28 | 9 | 88 | 65 | 25x17 | |
| 05 | 100 | 100 | 11 | 115 | 138 | 48 | 27 | 9 | | - | | |
| 06 | 120 | 125 | 12 | 145 | 164 | 53 | 32 | 11 | | - | | |

Dimensions in [mm] * Observe dimension k₂ ** See page 8-34 for more built-on accessories for motors

Dimensions - Bevel gearboxes

Geared servo motors with resolver



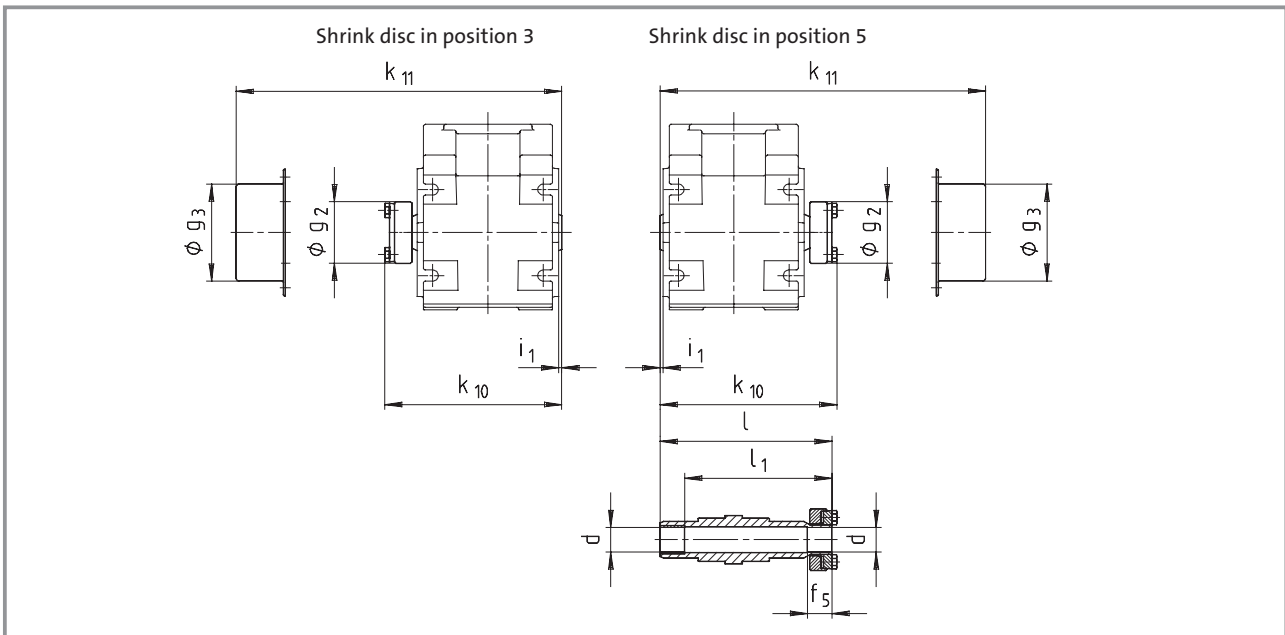
| Geared servo motor GKR□□ - 2^A_S VAK | | S (synchronous servo motors) | | | | | A (asynchronous servo motors) | | | | | | | | | |
|--|-------------------------------------|------------------------------|----------------|-----|-----|-----|-------------------------------|----------------|-----|-----|-----|-----|-----|-----|-----|-----|
| | | 056 | | 071 | | | 056 | 071 | 080 | 090 | | | | | | |
| | | C23 | C33 | C03 | C13 | C33 | C22 | C22 | C22 | C22 | | | | | | |
| Motor | g | 102 | 102 | 131 | 131 | 131 | 102 | 131 | 142 | 165 | | | | | | |
| | g ₁ | 90 | 90 | 102 | 102 | 102 | 90 | 102 | 109 | 118 | | | | | | |
| | k ₂ | 145 | 145 | 145 | 145 | 145 | 145 | 145 | 180 | 180 | | | | | | |
| | k ₁ naturally ventilated | 207 | 242 | 215 | 250 | 285 | 258 | 267 | 307 | 346 | | | | | | |
| | Δk** naturally ventilated+brake | 27 | 27 | 35 | 35 | 35 | 25 | 35 | 33 | 35 | | | | | | |
| | forced ventilated | - | - | 68 | 68 | 68 | - | 68 | 62 | 89 | | | | | | |
| | forced ventilated+brake | - | - | 103 | 103 | 103 | - | 103 | 95 | 124 | | | | | | |
| Gearbox size | Gearbox Overall length | | | | | | | | k | | | | | | | |
| | o ₁ | p* | p ₁ | a | h | o | q | k ₈ | | | | | | | | |
| 04 | 178 | 151 | 63 | 36 | 63 | 189 | 80.5 | 28 | 407 | 442 | 416 | 451 | 486 | 459 | 467 | |
| 05 | 233 | 181 | 82 | 40 | 80 | 251 | 105 | 47 | 461 | 496 | 469 | 504 | 539 | 512 | 521 | 571 |
| 06 | 277 | 226 | 100 | 51 | 100 | 307 | 126.5 | 54 | 512 | 547 | 521 | 556 | 591 | 564 | 572 | 622 |

| Gearbox size | Hollow shaft | | | | | | | Output flange | | | | | | |
|--------------|--------------|----|----------------|----------------|----------------|----|------|----------------|----------------------|----------------|----------------|----------------|----------------|---------------------------|
| | d k6 | l | l ₁ | l ₂ | d ₂ | u | t | a ₂ | b ₂ j7 | c ₂ | e ₂ | f ₂ | i ₂ | s ₂ 4 x 90° |
| 04 | 20 | 40 | 5 | 28 | M6 | 6 | 22.5 | 120 160 | 80 110 | 8 | 100 130 | 3 3.5 | 40 | 7 9 |
| 05 | 30 | 60 | 6 | 45 | M10 | 8 | 33 | 160 200 | 110 130 | 12 | 130 165 | 3.5 | 60 | 9 11 |
| 06 | 35 | 70 | 7 | 56 | M12 | 10 | 38 | 200 250 | 130 180 | 12 | 165 215 | 3.5 4 | 70 | 11 14 |

Dimensions in [mm] * Observe dimension k₂

** See page 8-34 for more built-on accessories for motors

Hollow shaft with shrink disc



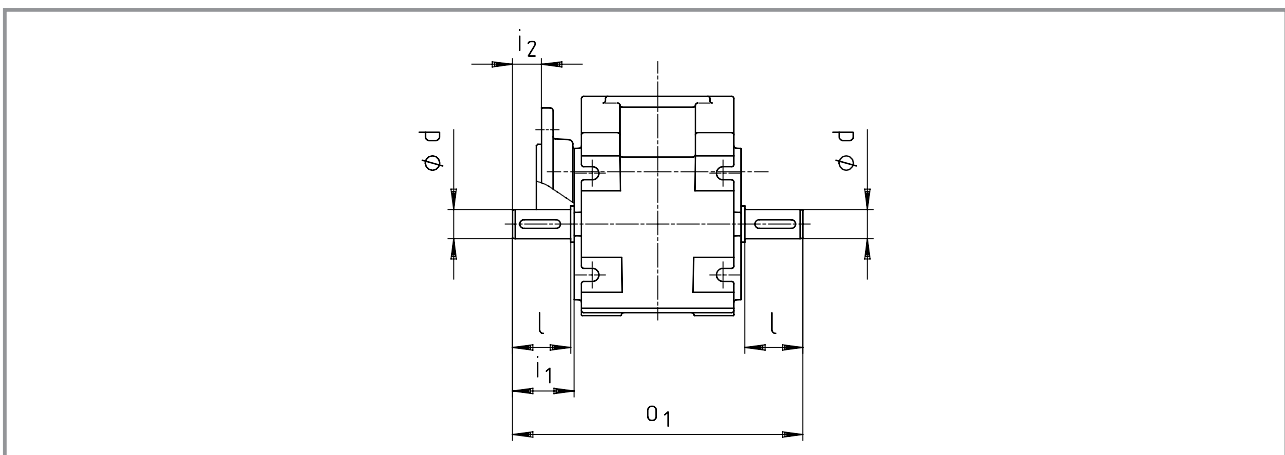
| Gearbox size | Machine shaft * | | Hollow shaft with shrink disc | | | | | | Cover | |
|--------------|-----------------|-----|-------------------------------|-------|----------|-----|-------|-------|-------|----------|
| | d | Fit | i_1 | g_2 | k_{10} | l | l_1 | f_5 | g_3 | k_{11} |
| 03 | 20 | h6 | 2.5 | 50 | 124 | 120 | 100 | 20 | 65 | 137.5 |
| 04 | 20 | h6 | 2.5 | 50 | 144 | 140 | 120 | 20 | 79 | 157.5 |
| 05 | 30 / 35 | h6 | 4 | 80 | 176.5 | 171 | 151 | 28 | 90 | 182 |
| 06 | 40 | h6 | 5 | 90 | 209.5 | 204 | 174 | 30 | 100 | 214 |

*Ensure that the strength of the shaft material is adequate in shrink disc designs. When using typical steels (e.g. C45, 42CrMo4), the torques listed in the selection tables can be used without restriction.

When using material that is considerably weaker, please consult with us. Medium surface roughness R_z must not exceed $15 \mu\text{m}$ (turning operation is sufficient).

Dimensions in [mm]

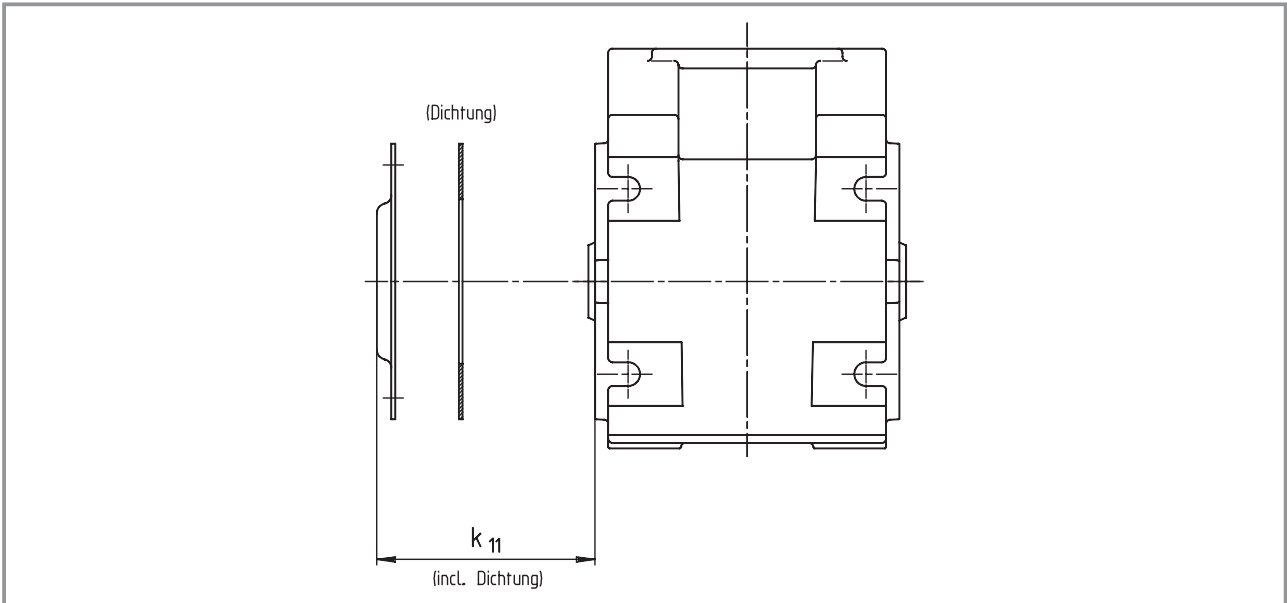
Gearbox with 2nd output shaft end



| Gearbox size | d | l | i_1 | i_2 | o_1 |
|--------------|----|-----|-------|-------|-------|
| 04 | 20 | 40 | 42.5 | 19.5 | 200 |
| 05 | 30 | 60 | 64 | 27 | 263 |
| 06 | 35 | 70 | 75 | 28.5 | 310 |

Dimensions in [mm]

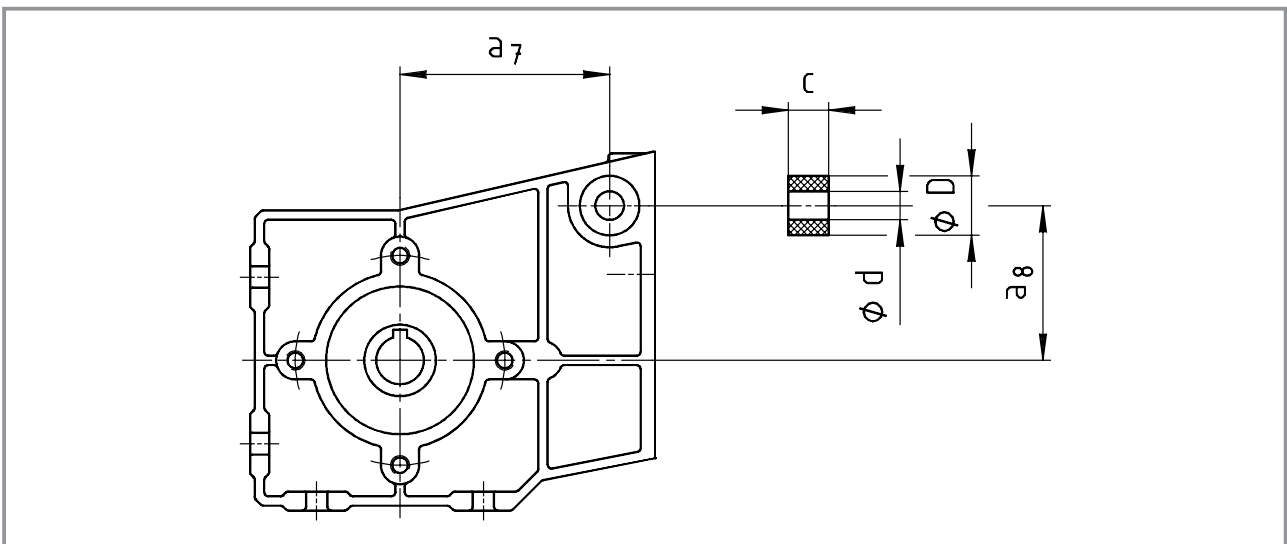
Hoseproof hollow shaft cover



| Gearbox size | Cover k_{11} |
|--------------|-------------------|
| 04 | 9 |
| 05 | 10 |
| 06 | 11 |

5

Rubber buffer for torque plate

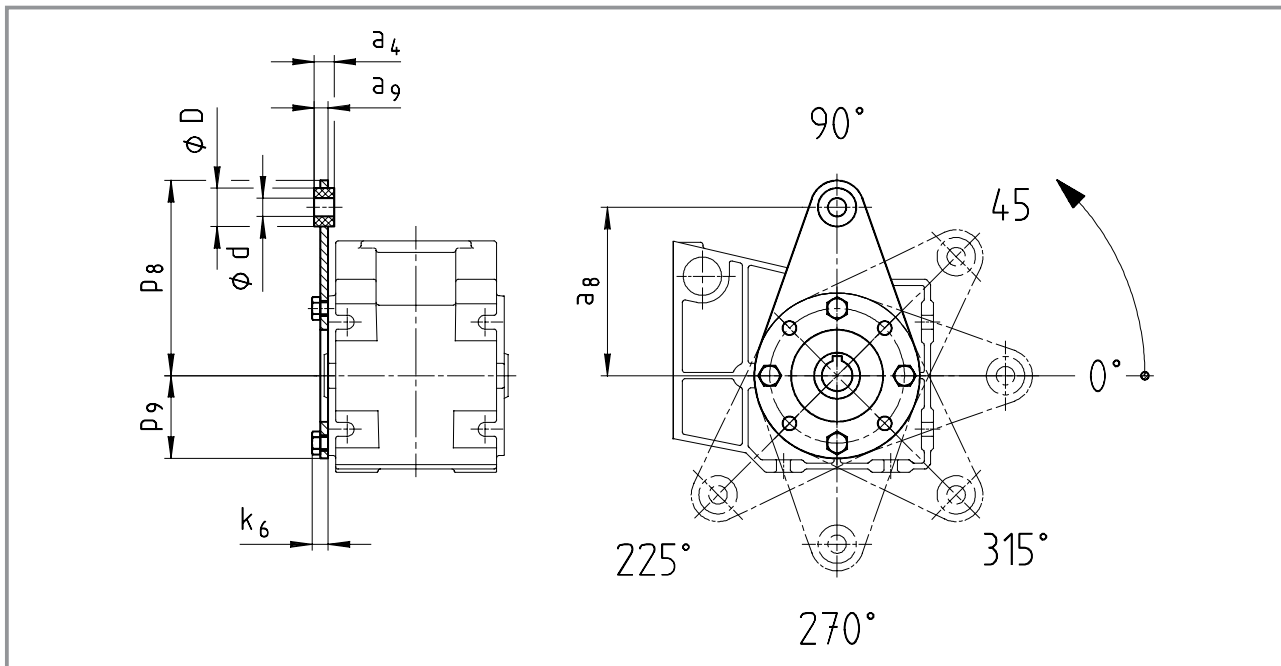


| Gearbox size | d | D | c | a_7 | a_8 |
|--------------|----|----|----|-------|-------|
| 04 | 10 | 25 | 13 | 88 | 65 |

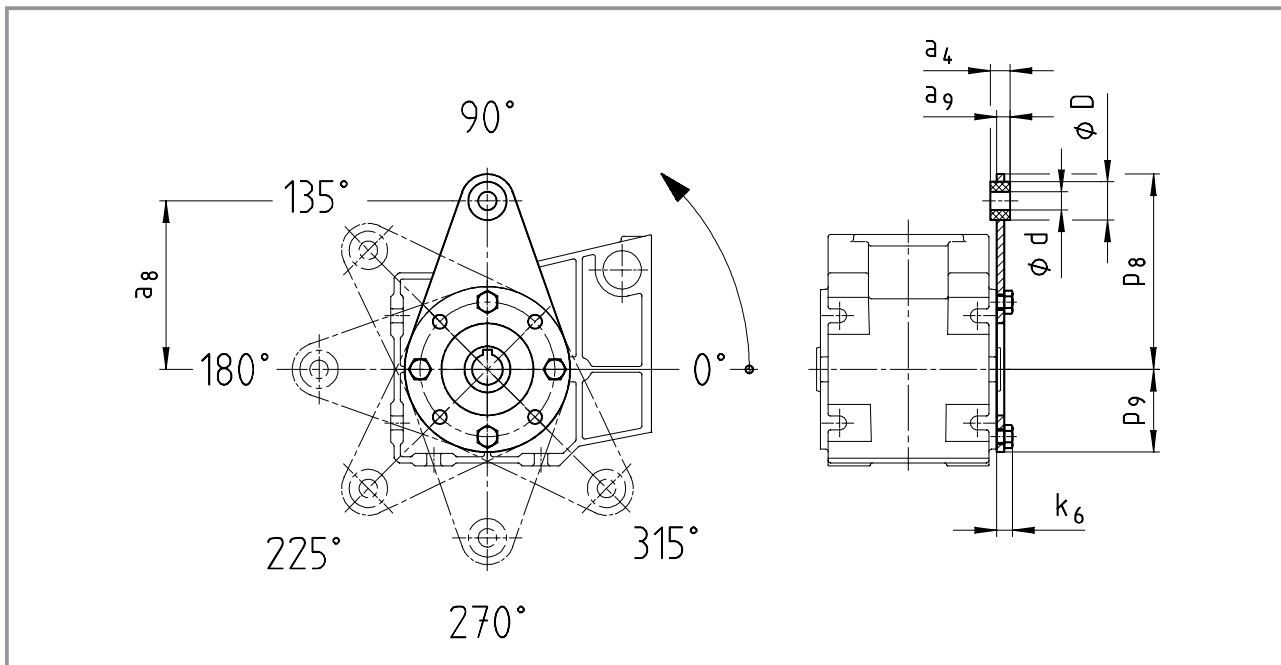
Dimensions in [mm]



GKR 04 Torque plate at pitch circle in position 3



GKR 04 Torque plate at pitch circle in position 5

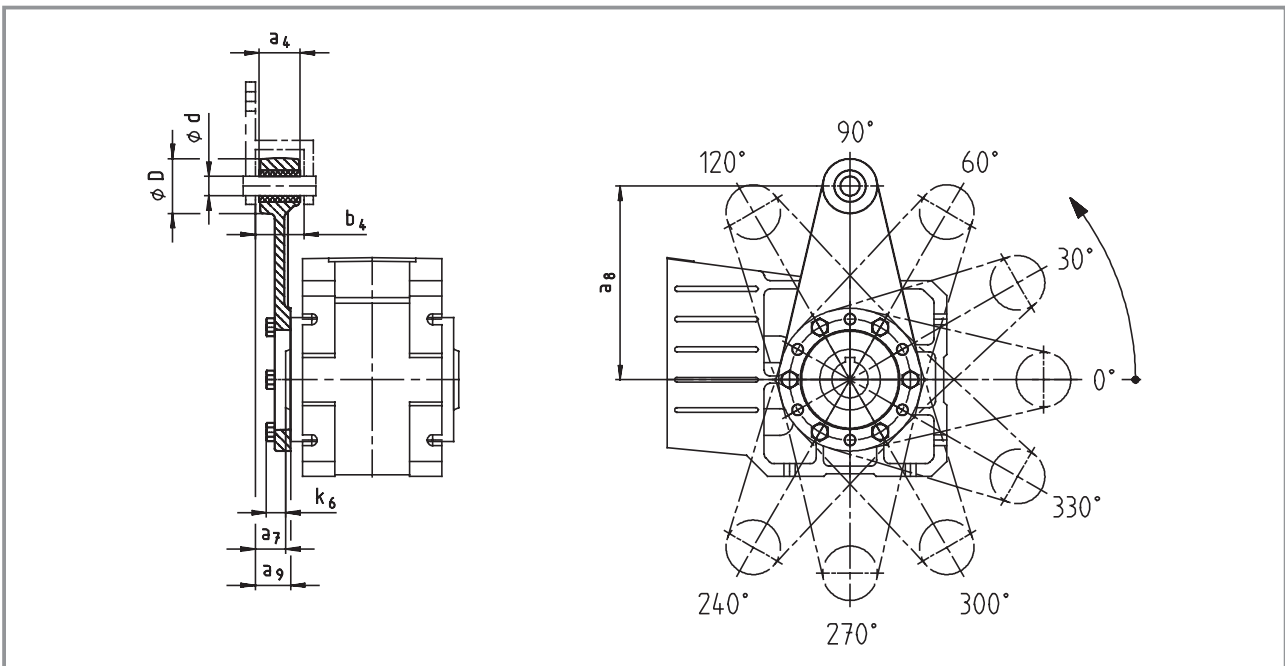


| Gearbox size | Torque plate | | | | | | | |
|--------------|----------------|----------------|----------------|----|----|----------------|----------------|----------------|
| | a ₄ | a ₈ | a ₉ | d | D | k ₆ | P ₈ | P ₉ |
| 04 | 13 | 110 | 9 | 10 | 25 | 11 | 128 | 52 |

Dimensions in [mm]

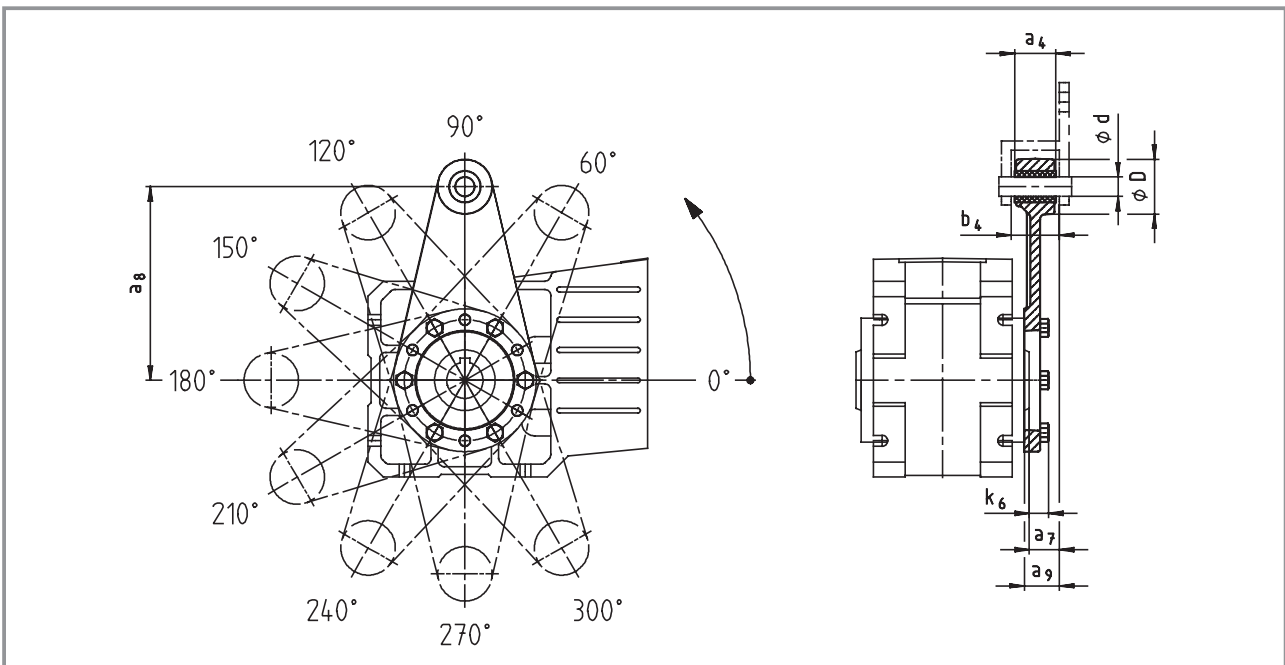
GKR 05/06

Torque plate at pitch circle in position 3



GKR 05/06

Torque plate at pitch circle in position 5

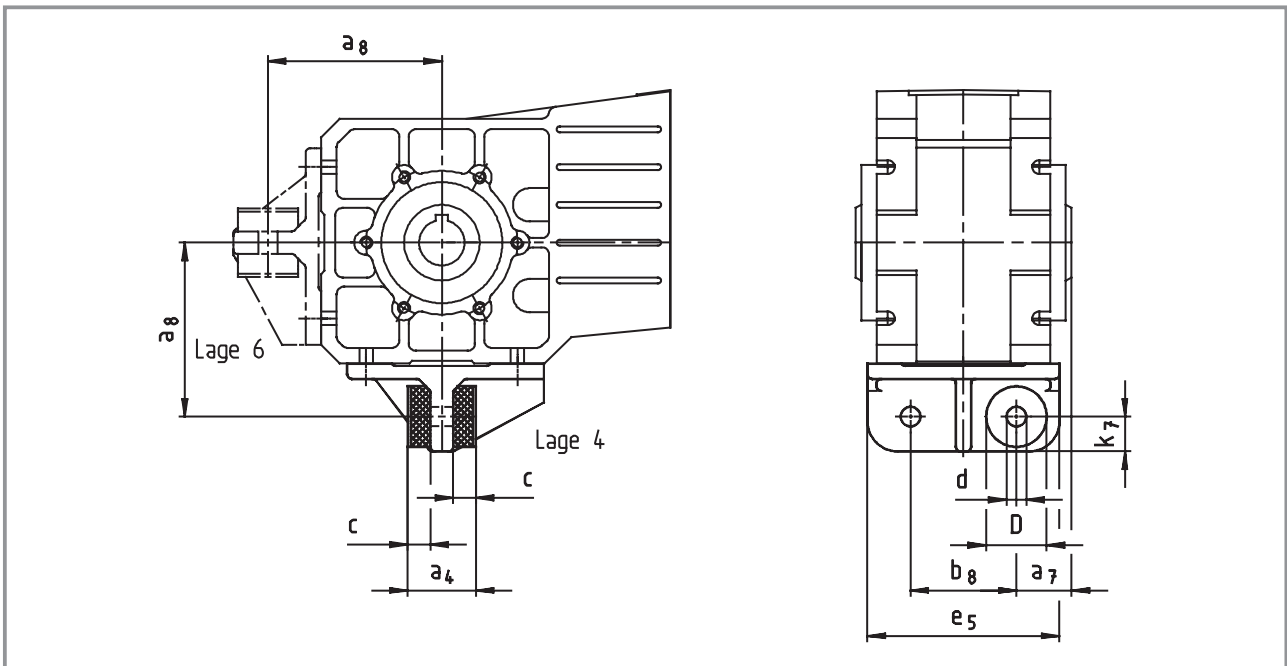


| Gearbox size | Assembly space | | Torque plate | | | | | | |
|--------------|----------------|----------------|----------------|----------------|----------------|----|----|----------------|--|
| | a ₇ | b ₄ | a ₄ | a ₈ | a ₉ | d | D | k ₆ | |
| 05 | 23.5 | 38.5 | 34 | 160 | 27.5 | 16 | 45 | 16 | |
| 06 | 28 | 44.5 | 40 | 200 | 33 | 20 | 50 | 18 | |

Dimensions in [mm]



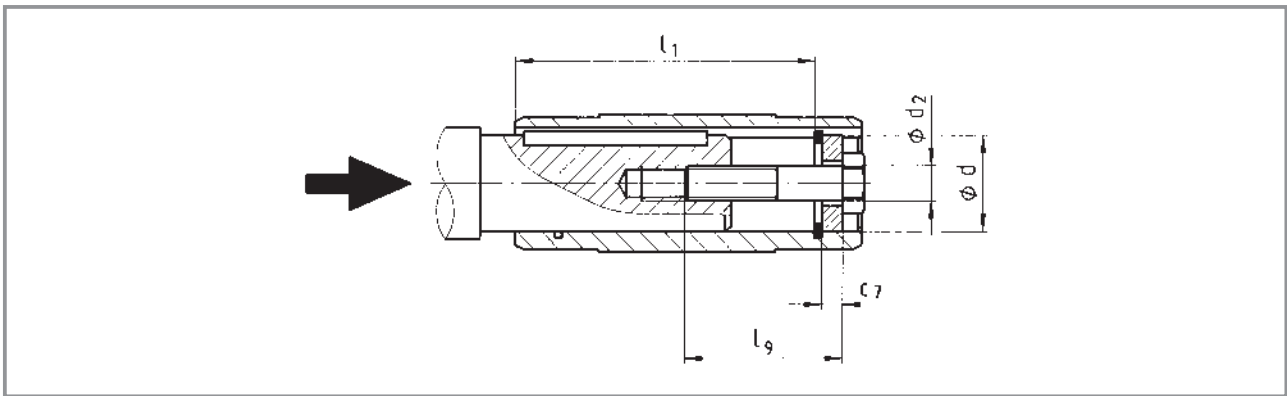
Torque plate on housing foot



| Gearbox size | a ₄ | a ₇ | a ₈ | b ₈ | c | d | D | e ₅ | k ₇ |
|--------------|----------------|----------------|----------------|----------------|----|----|----|----------------|----------------|
| 05 | 45 | 36.5 | 115 | 70 | 15 | 13 | 40 | 127 | 23 |
| 06 | 72 | 45 | 145 | 80 | 27 | 17 | 50 | 145 | 28 |

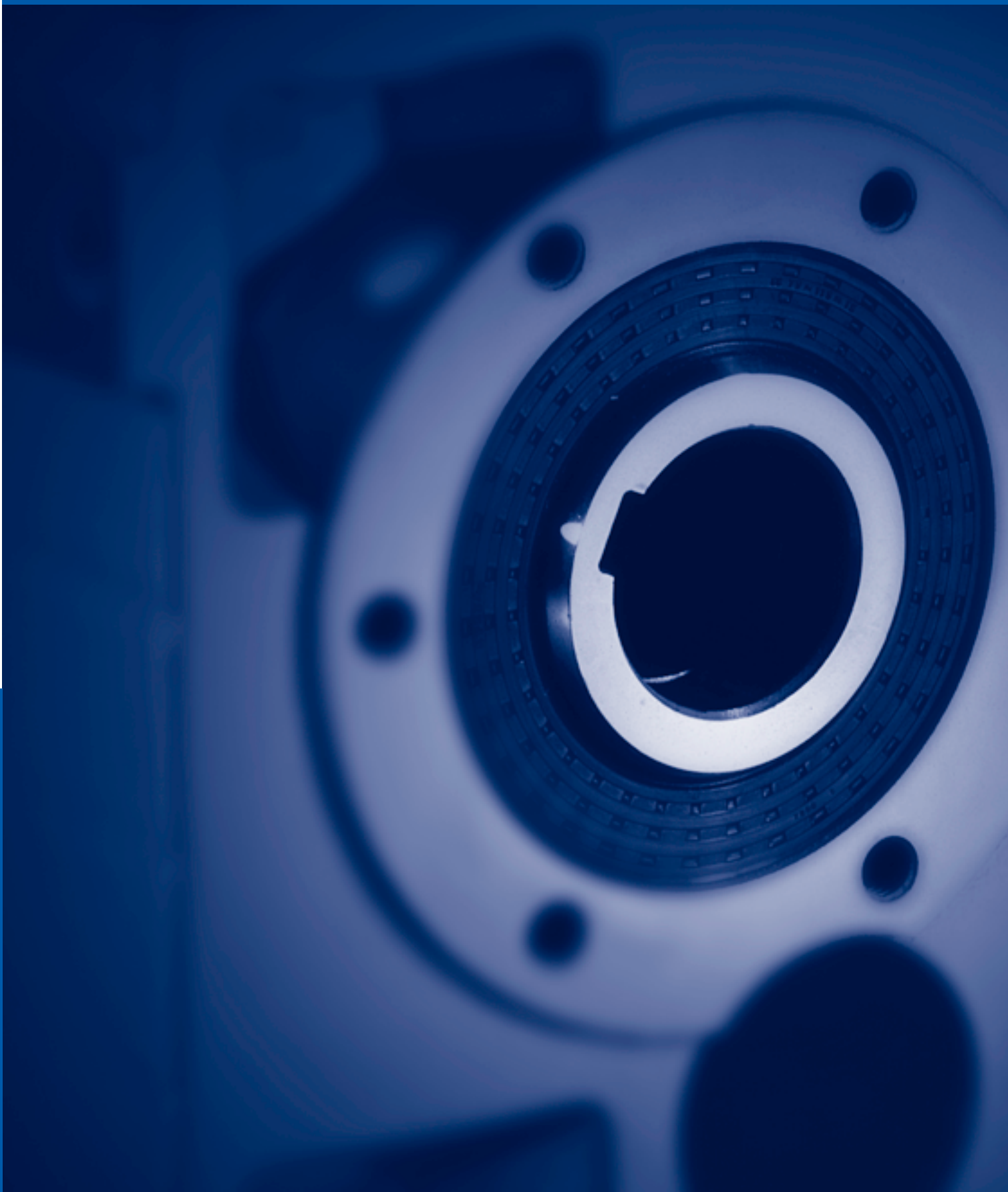
Dimensions in [mm]

Mounting set for hollow shaft circlip - Proposed design for auxiliary tools



| Gearbox size | Hollow shaft (design H) | | | Mounting set for hollow shaft circlip (mounting auxiliary tool) | | |
|--------------|-------------------------|----------------|---------|---|----------------|----------------|
| | l | l ₁ | d H7 | d ₂ | l ₉ | c ₇ |
| 04 | 120 | 106 | 20 | M6 | 40 | 4 |
| | | | 25 | M10 | | 5 |
| 05 | 143 | 128 | 30 | M10 | 50 | 6 |
| | | | 35 | M12 | | 7 |
| 06 | 170 | 152 | 40 | M16 | 60 | 8 |
| | | | 45 | | | |

Dimensions in [mm]



Technical data

| | |
|---|------|
| Permissible radial and axial forces - | |
| Output _____ | 6-2 |
| Output backlash _____ | 6-4 |
| Ratios _____ | 6-5 |
| Ventilation _____ | 6-18 |
| Position of ventilation, sealing | |
| elements and oil control _____ | 6-18 |
| Reservoir for mounting position C _____ | 6-19 |
| Weights _____ | 6-20 |

Selection tables

| | |
|--|------|
| Synchronous geared servo motors _____ | 6-21 |
| Naturally ventilated _____ | 6-21 |
| Forced ventilated _____ | 6-32 |
| Asynchronous geared servo motors _____ | 6-37 |
| Naturally ventilated _____ | 6-37 |
| Forced ventilated _____ | 6-65 |

Dimensions

| | |
|---|-------|
| Geared servo motors with resolver _____ | 6-88 |
| 3-stage _____ | 6-88 |
| 4-stage _____ | 6-96 |
| Further dimensions _____ | 6-102 |
| Hollow shaft with shrink disc _____ | 6-102 |
| Gearbox with 2nd output shaft end _____ | 6-103 |
| Hoseproof hollow shaft cover _____ | 6-104 |
| Torque plate at pitch circle _____ | 6-105 |
| Torque plate at housing foot _____ | 6-106 |
| Mounting set for hollow shaft | |
| circlip _____ | 6-107 |
| Proposed design for auxiliary tools _____ | 6-107 |

Helical-bevel gearboxes GKS□□

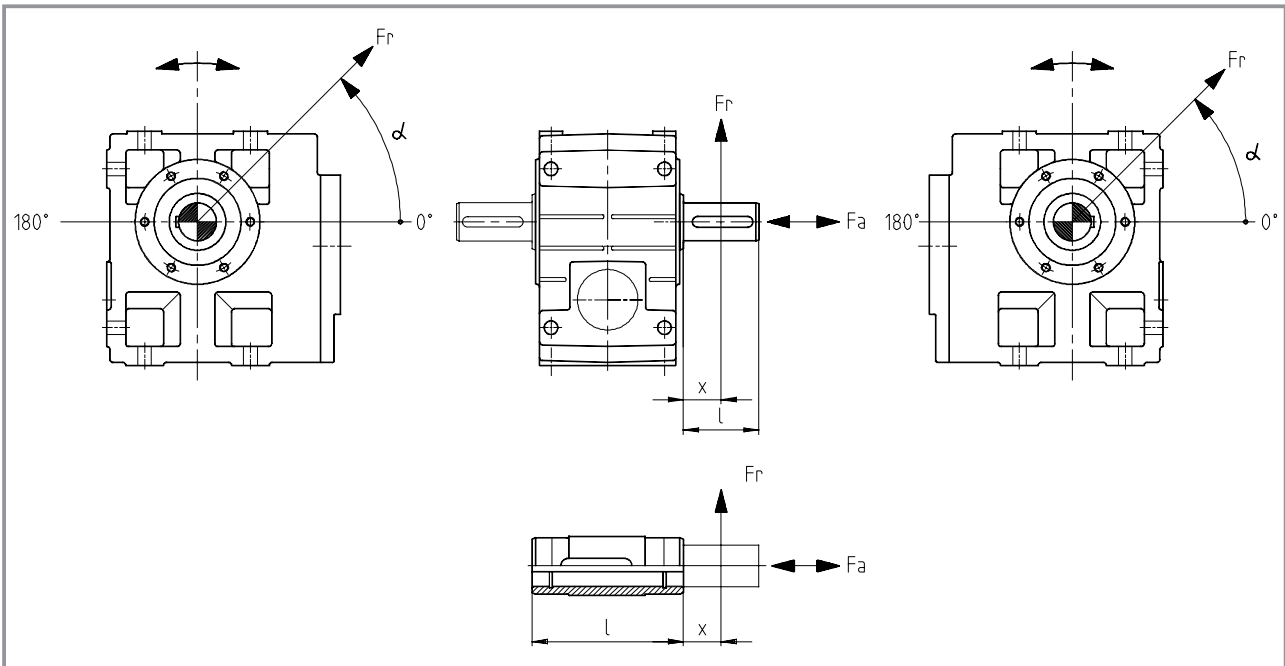
Permissible radial force

$$F_{rperm} = \min(f_w \cdot f_\alpha \cdot F_{rTab}; f_w \cdot F_{rmax})$$

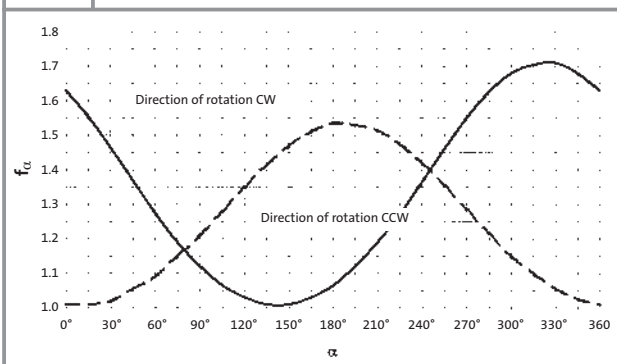
Permissible axial force

$$F_{aperm} = F_{aTab} \quad \text{at } F_r = 0$$

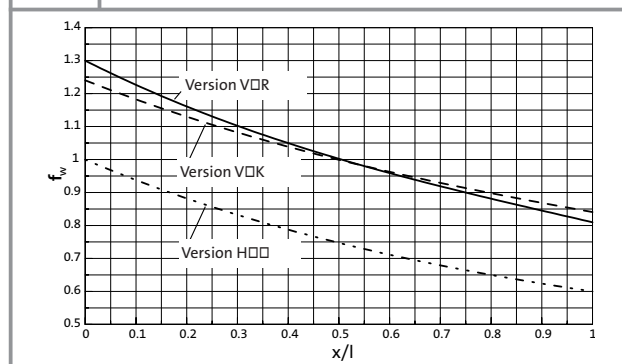
Contact Lenze if F_r and $F_a \neq 0$



f_α Effective direction factor at output shaft



f_w Additional load factor at output shaft



Technical data - Helical bevel gearboxes

Permissible radial and axial forces - Output

Helical-bevel gearboxes GKS□□

| VAK | Solid shaft with flange | | | | | | | | | | | | | |
|----------------|---|-------------------|-------------------|-------------------|-------------------|-------------------|-------------------|-------------------|-------------------|-------------------|-------------------|-------------------|-------------------|-------------------|
| | Application of force F_r : Centre of shaft journal ($x = l/2$) F_{aTab} only valid for $F_r = 0$ | | | | | | | | | | | | | |
| n_2 [rpm] | GKS 04 | | GKS 05 | | GKS 06 | | GKS 07 | | GKS 09 | | GKS 11 | | GKS 14 | |
| | F_{rTab} [N] | F_{aTab} [N] | F_{rTab} [N] | F_{aTab} [N] | F_{rTab} [N] | F_{aTab} [N] | F_{rTab} [N] | F_{aTab} [N] | F_{rTab} [N] | F_{aTab} [N] | F_{rTab} [N] | F_{aTab} [N] | F_{rTab} [N] | F_{aTab} [N] |
| 400 | 3800 | 4200 | 4640 | 3630 | 6400 | 4660 | 7000 | 5700 | 9900 | 6000 | 14500 | 7000 | 20500 | 8400 |
| 250 | 4300 | 4400 | 5420 | 4440 | 7500 | 5880 | 8250 | 7000 | 10500 | 6600 | 16000 | 7500 | 23700 | 10000 |
| 160 | 4600 | 4400 | 6280 | 5420 | 8800 | 7320 | 9630 | 8500 | 12000 | 7600 | 17600 | 8500 | 27200 | 11500 |
| 100 | 4600 | 4400 | 7000 | 6600 | 9800 | 9230 | 11000 | 10400 | 14000 | 10000 | 21000 | 10500 | 31300 | 13000 |
| 63 | 4600 | 4400 | 7000 | 6600 | 10000 | 10000 | 13000 | 11500 | 15000 | 12000 | 24500 | 13000 | 35000 | 15000 |
| 40 | 4600 | 4400 | 7000 | 6600 | 10000 | 10000 | 14000 | 11500 | 15000 | 15000 | 28000 | 17500 | 41000 | 19000 |
| 25 | 4600 | 4400 | 7000 | 6600 | 10000 | 10000 | 14000 | 11500 | 15000 | 17000 | 30000 | 27000 | 43000 | 28000 |
| ≤ 16 | 4600 | 4400 | 7000 | 6600 | 10000 | 10000 | 14000 | 11500 | 15000 | 17000 | 30000 | 27000 | 43000 | 35000 |
| $F_{r max}$ | 4600 | – | 7000 | – | 10000 | – | 14000 | – | 15000 | – | 30000 | – | 43000 | – |

| VOR | Solid shaft without flange | | | | | | | | | | | | | |
|----------------|---|-------------------|-------------------|-------------------|-------------------|-------------------|-------------------|-------------------|-------------------|-------------------|-------------------|-------------------|-------------------|-------------------|
| | Application of force F_r : Centre of shaft journal ($x = l/2$) F_{aTab} only valid for $F_r = 0$ | | | | | | | | | | | | | |
| n_2 [rpm] | GKS 04 | | GKS 05 | | GKS 06 | | GKS 07 | | GKS 09* | | GKS 11* | | GKS 14 | |
| | F_{rTab} [N] | F_{aTab} [N] | F_{rTab} [N] | F_{aTab} [N] | F_{rTab} [N] | F_{aTab} [N] | F_{rTab} [N] | F_{aTab} [N] | F_{rTab} [N] | F_{aTab} [N] | F_{rTab} [N] | F_{aTab} [N] | F_{rTab} [N] | F_{aTab} [N] |
| 400 | 3000 | 4200 | 2800 | 3500 | 3700 | 4440 | 4000 | 4900 | 6200 | 6500 | 7100 | 7000 | 57900 | 35000 |
| 250 | 3400 | 5000 | 3200 | 4240 | 4300 | 5580 | 4900 | 6230 | 6400 | 7400 | 7500 | 8000 | 61000 | 35000 |
| 160 | 3600 | 5500 | 3600 | 5090 | 4900 | 6930 | 5800 | 7820 | 7100 | 8000 | 8200 | 9200 | 64100 | 35000 |
| 100 | 3600 | 5500 | 4100 | 6160 | 5300 | 8710 | 6600 | 9940 | 8400 | 10500 | 10000 | 12000 | 65000 | 35000 |
| 63 | 3600 | 5500 | 4900 | 6600 | 6200 | 10000 | 8000 | 12600 | 9500 | 13000 | 11200 | 14500 | 65000 | 35000 |
| 40 | 3600 | 5500 | 5800 | 6600 | 7900 | 10000 | 9600 | 14000 | 11800 | 17000 | 13000 | 18500 | 65000 | 35000 |
| 25 | 3600 | 5500 | 5800 | 6600 | 9000 | 10000 | 12000 | 14000 | 16000 | 21000 | 19000 | 27000 | 65000 | 35000 |
| ≤ 16 | 3600 | 5500 | 5800 | 6600 | 9000 | 10000 | 12000 | 14000 | 18000 | 21000 | 23000 | 27000 | 65000 | 35000 |
| $F_{r max}$ | 3600 | – | 5800 | – | 9000 | – | 12000 | – | 18000 | – | 23000 | – | 65000 | – |

| H□□ | Hollow shaft | | | | | | | | | | | | | |
|----------------|--|-------------------|-------------------|-------------------|-------------------|-------------------|-------------------|-------------------|-------------------|-------------------|-------------------|-------------------|-------------------|-------------------|
| | Application of force F_r : At hollow shaft end face ($x = 0$) F_{aTab} only valid for $F_r = 0$ | | | | | | | | | | | | | |
| n_2 [rpm] | GKS 04 | | GKS 05 | | GKS 06 | | GKS 07 | | GKS 09 | | GKS 11 | | GKS 14 | |
| | F_{rTab} [N] | F_{aTab} [N] | F_{rTab} [N] | F_{aTab} [N] | F_{rTab} [N] | F_{aTab} [N] | F_{rTab} [N] | F_{aTab} [N] | F_{rTab} [N] | F_{aTab} [N] | F_{rTab} [N] | F_{aTab} [N] | F_{rTab} [N] | F_{aTab} [N] |
| 400 | 3900 | 4200 | 3500 | 3500 | 4600 | 4440 | 5400 | 4900 | 7500 | 6500 | 9000 | 7000 | 15000 | 6000 |
| 250 | 4500 | 5000 | 4200 | 4240 | 5600 | 5580 | 6300 | 6230 | 8200 | 7400 | 10000 | 8000 | 15500 | 8000 |
| 160 | 5100 | 5500 | 4630 | 5090 | 6400 | 6930 | 7400 | 7820 | 9400 | 8000 | 11000 | 9200 | 16500 | 10000 |
| 100 | 5900 | 5500 | 5000 | 6160 | 7000 | 8710 | 8700 | 9940 | 10600 | 10500 | 14000 | 12000 | 17500 | 13000 |
| 63 | 6800 | 5500 | 6200 | 6600 | 8200 | 10000 | 10500 | 12600 | 12200 | 13000 | 16000 | 14500 | 18500 | 16000 |
| 40 | 7000 | 5500 | 7300 | 6600 | 10400 | 10000 | 12500 | 14000 | 15500 | 17000 | 18500 | 18500 | 21000 | 20000 |
| 25 | 7000 | 5500 | 7300 | 6600 | 12000 | 10000 | 15100 | 14000 | 21000 | 21000 | 25000 | 27000 | 28000 | 28000 |
| ≤ 16 | 7000 | 5500 | 7300 | 6600 | 12000 | 10000 | 16000 | 14000 | 24000 | 21000 | 30000 | 27000 | 40000 | 35000 |
| $F_{r max}$ | 7000 | – | 7300 | – | 12000 | – | 16000 | – | 24000 | – | 30000 | – | 45000 | – |

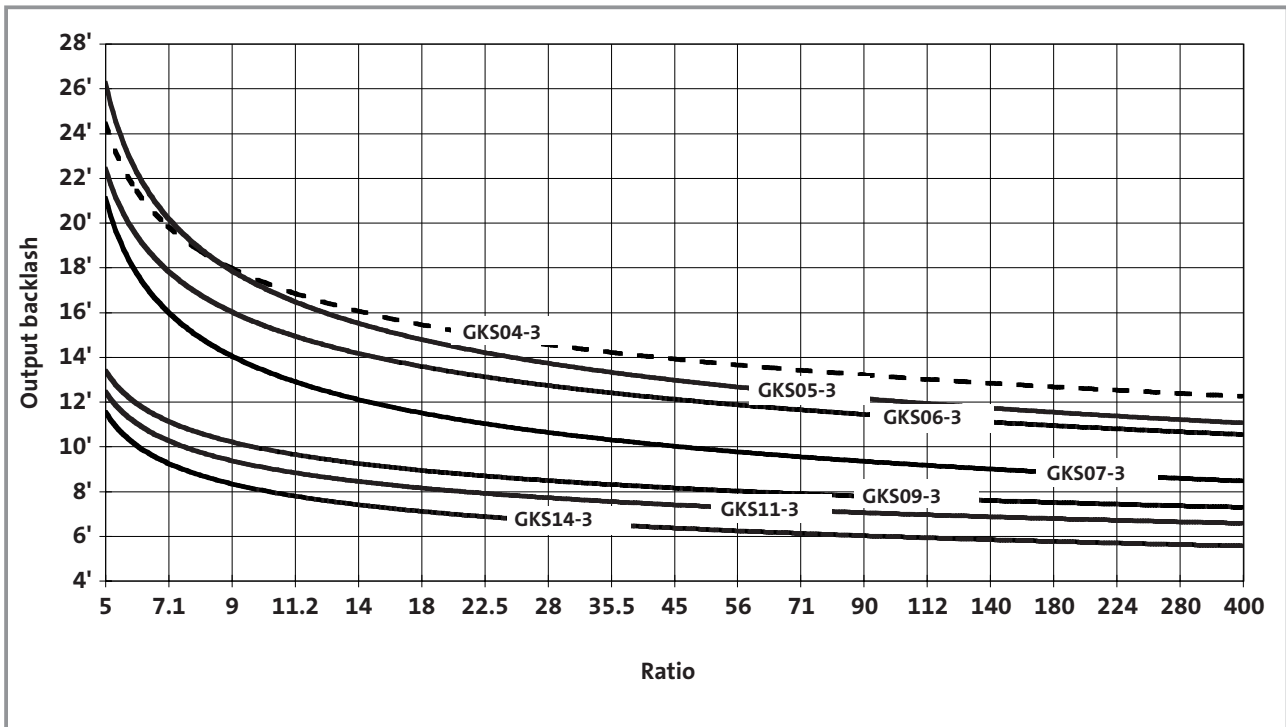
* A reinforced output shaft bearing is available on request for VOR versions.

Neither radial nor axial forces are permitted on hollow shafts with shrink disc (S□□).

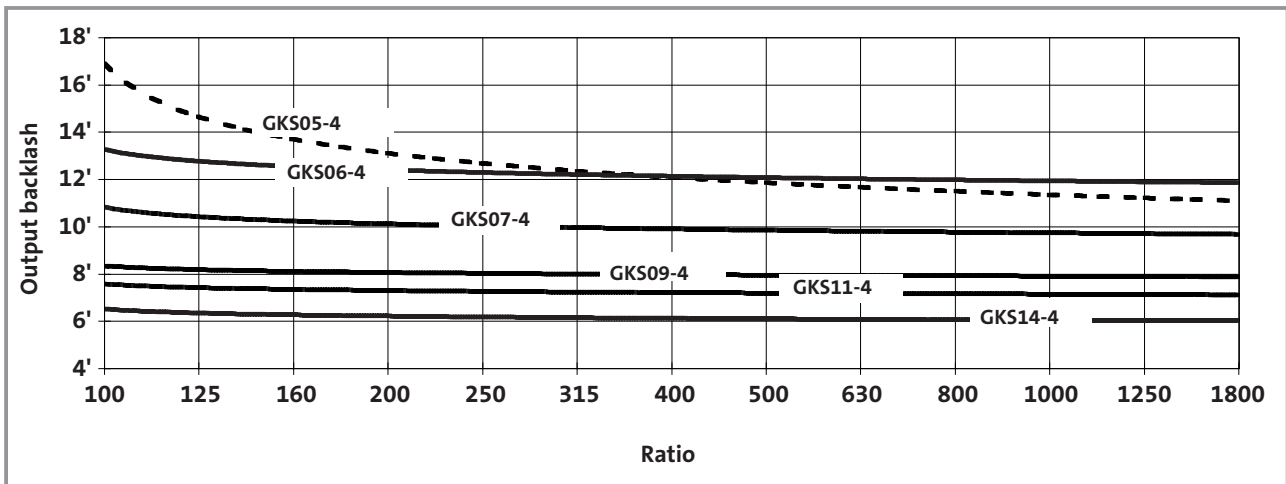
Technical data - Helical bevel gearboxes

Output backlash in angular minutes

Helical-bevel gearboxes GKS□□-3



Helical-bevel gearboxes GKS□□-4





Calculation formula: $i_{exact} = \frac{\text{Numerator}}{\text{Denominator}}$

| Actual ratio | Numerator | Denominator |
|-------------------|-----------|-------------|
| GKS 04 - 3 | | |
| 5.123 | 67620 | 13200 |
| 7.025 | 77280 | 11000 |
| 8.167 | 73500 | 9000 |
| 8.991 | 83076 | 9240 |
| 9.836 | 108192 | 11000 |
| 11.730 | 77420 | 6600 |
| 13.067 | 78400 | 6000 |
| 14.333 | 90300 | 6300 |
| 16.087 | 88480 | 5500 |
| 17.920 | 89600 | 5000 |
| 20.588 | 95116 | 4620 |
| 22.522 | 123872 | 5500 |
| 25.088 | 125440 | 5000 |
| 28.727 | 132720 | 4620 |
| 32.000 | 134400 | 4200 |
| 35.191 | 139356 | 3960 |
| 39.200 | 141120 | 3600 |
| 44.240 | 145992 | 3300 |
| 50.943 | 168112 | 3300 |
| 56.976 | 150416 | 2640 |
| 64.978 | 180120 | 2772 |
| 72.210 | 174748 | 2420 |
| 79.598 | 189126 | 2376 |
| 90.491 | 179172 | 1980 |
| 100.067 | 198132 | 1980 |
| 111.467 | 200640 | 1800 |
| 128.874 | 204136 | 1584 |
| 143.556 | 206720 | 1440 |
| 163.332 | 237158 | 1452 |
| 181.939 | 240160 | 1320 |
| 204.682 | 243162 | 1188 |
| 228.000 | 246240 | 1080 |
| 269.660 | 249166 | 924 |
| 300.381 | 252320 | 840 |

Technical data - Helical bevel gearboxes

Ratios

Calculation formula: $i_{exact} = \frac{\text{Numerator}}{\text{Denominator}}$

| Actual ratio | Numerator | Denominator |
|-------------------|-----------|-------------|
| GKS 05 - 3 | | |
| 6.863 | 73500 | 10710 |
| 9.412 | 84000 | 8925 |
| 10.569 | 80850 | 7650 |
| 11.667 | 83300 | 7140 |
| 13.176 | 117600 | 8925 |
| 14.494 | 92400 | 6375 |
| 16.000 | 95200 | 5950 |
| 17.054 | 86975 | 5100 |
| 19.216 | 88200 | 4590 |
| 23.388 | 99400 | 4250 |
| 26.353 | 100800 | 3825 |
| 29.931 | 106855 | 3570 |
| 32.744 | 139160 | 4250 |
| 36.894 | 141120 | 3825 |
| 41.765 | 149100 | 3570 |
| 47.059 | 151200 | 3213 |
| 51.162 | 156555 | 3060 |
| 57.647 | 158760 | 2754 |
| 66.592 | 203770 | 3060 |
| 75.033 | 206640 | 2754 |
| 82.833 | 168980 | 2040 |
| 93.333 | 171360 | 1836 |
| 107.196 | 218680 | 2040 |
| 120.784 | 221760 | 1836 |
| 130.097 | 221165 | 1700 |
| 146.588 | 224280 | 1530 |
| 166.276 | 226135 | 1360 |
| 187.353 | 229320 | 1224 |
| 211.200 | 228096 | 1080 |
| 227.484 | 227484 | 1000 |
| 256.320 | 230688 | 900 |
| 290.745 | 232596 | 800 |
| 327.600 | 235872 | 720 |



Calculation formula: $i_{exact} = \frac{\text{Numerator}}{\text{Denominator}}$

| Actual ratio | Numerator | Denominator |
|-------------------|-----------|-------------|
| GKS 05 - 4 | | |
| 95.238 | 8568000 | 89964 |
| 114.987 | 8796480 | 76500 |
| 126.933 | 9063040 | 71400 |
| 146.667 | 9424800 | 64260 |
| 161.905 | 9710400 | 59976 |
| 185.547 | 9462880 | 51000 |
| 209.067 | 9596160 | 45900 |
| 225.867 | 10367280 | 45900 |
| 236.667 | 10138800 | 42840 |
| 289.917 | 10645740 | 36720 |
| 326.667 | 10795680 | 33048 |
| 364.467 | 11152680 | 30600 |
| 410.667 | 11309760 | 27540 |
| 469.389 | 11490640 | 24480 |
| 510.000 | 13109040 | 25704 |
| 528.889 | 11652480 | 22032 |
| 594.894 | 13349420 | 22440 |
| 670.303 | 13537440 | 20196 |
| 820.760 | 11818944 | 14400 |
| 924.800 | 11985408 | 12960 |
| 1040.215 | 13730832 | 13200 |
| 1172.073 | 13924224 | 11880 |
| 1303.560 | 14078448 | 10800 |
| 1468.800 | 14276736 | 9720 |
| 1717.389 | 14426064 | 8400 |
| 1935.086 | 14629248 | 7560 |

Technical data - Helical bevel gearboxes

Ratios

Calculation formula: $i_{exact} = \frac{\text{Numerator}}{\text{Denominator}}$

| Actual ratio | Numerator | Denominator |
|-------------------|-----------|-------------|
| GKS 06 - 3 | | |
| 6.485 | 66150 | 10200 |
| 9.196 | 70350 | 7650 |
| 10.147 | 72450 | 7140 |
| 11.382 | 81270 | 7140 |
| 12.612 | 80400 | 6375 |
| 14.824 | 75600 | 5100 |
| 16.699 | 76650 | 4590 |
| 17.809 | 89010 | 4998 |
| 20.329 | 86400 | 4250 |
| 22.902 | 87600 | 3825 |
| 26.017 | 92880 | 3570 |
| 28.461 | 120960 | 4250 |
| 32.063 | 122640 | 3825 |
| 36.303 | 129600 | 3570 |
| 41.472 | 103680 | 2500 |
| 44.471 | 136080 | 3060 |
| 53.074 | 111456 | 2100 |
| 57.882 | 177120 | 3060 |
| 65.207 | 179580 | 2754 |
| 72.000 | 146880 | 2040 |
| 81.111 | 148920 | 1836 |
| 93.176 | 190080 | 2040 |
| 104.967 | 192720 | 1836 |
| 113.082 | 192240 | 1700 |
| 127.392 | 194910 | 1530 |
| 142.941 | 194400 | 1360 |
| 161.029 | 197100 | 1224 |
| 190.080 | 228096 | 1200 |
| 214.133 | 231264 | 1080 |
| 230.688 | 230688 | 1000 |
| 259.880 | 233892 | 900 |
| 291.600 | 233280 | 800 |
| 328.500 | 236520 | 720 |



Calculation formula: $i_{exact} = \frac{\text{Numerator}}{\text{Denominator}}$

| Actual ratio | Numerator | Denominator |
|-------------------|-----------|-------------|
| GKS 06 - 4 | | |
| 103.721 | 7776000 | 74970 |
| 113.205 | 10184400 | 89964 |
| 127.059 | 8164800 | 64260 |
| 140.816 | 8445600 | 59976 |
| 155.647 | 8573040 | 55080 |
| 174.336 | 11202840 | 64260 |
| 202.588 | 11158560 | 55080 |
| 224.524 | 11542320 | 51408 |
| 252.000 | 9253440 | 36720 |
| 279.286 | 9571680 | 34272 |
| 316.800 | 9694080 | 30600 |
| 361.429 | 12386880 | 34272 |
| 408.000 | 9987840 | 24480 |
| 458.067 | 14390640 | 31416 |
| 517.091 | 11603520 | 22440 |
| 555.927 | 14554170 | 26180 |
| 640.800 | 13072320 | 20400 |
| 696.668 | 14922630 | 21420 |
| 812.137 | 15186960 | 18700 |
| 914.907 | 15397890 | 16830 |
| 1017.741 | 15571440 | 15300 |
| 1146.529 | 15787710 | 13770 |
| 1340.834 | 15955920 | 11900 |
| 1510.507 | 16177530 | 10710 |

Technical data - Helical bevel gearboxes

Ratios

Calculation formula: $i_{exact} = \frac{\text{Numerator}}{\text{Denominator}}$

| Actual ratio | Numerator | Denominator |
|-------------------|-----------|-------------|
| GKS 07 - 3 | | |
| 5.955 | 65280 | 10962 |
| 8.254 | 74880 | 9072 |
| 9.171 | 71808 | 7830 |
| 10.124 | 73984 | 7308 |
| 11.378 | 107520 | 9450 |
| 12.711 | 82368 | 6480 |
| 14.798 | 77248 | 5220 |
| 16.674 | 78336 | 4698 |
| 17.270 | 91392 | 5292 |
| 20.511 | 88608 | 4320 |
| 23.111 | 89856 | 3888 |
| 25.244 | 95424 | 3780 |
| 28.274 | 127232 | 4500 |
| 31.858 | 129024 | 4050 |
| 36.063 | 136320 | 3780 |
| 40.906 | 107991 | 2640 |
| 44.178 | 143136 | 3240 |
| 50.345 | 116298 | 2310 |
| 57.501 | 186304 | 3240 |
| 64.790 | 188928 | 2916 |
| 70.474 | 152224 | 2160 |
| 79.407 | 154368 | 1944 |
| 92.563 | 199936 | 2160 |
| 104.296 | 202752 | 1944 |
| 112.338 | 202208 | 1800 |
| 126.578 | 205056 | 1620 |
| 140.548 | 185523 | 1320 |
| 158.364 | 188136 | 1188 |
| 184.600 | 243672 | 1320 |
| 208.000 | 247104 | 1188 |
| 224.037 | 246441 | 1100 |
| 252.436 | 249912 | 990 |
| 283.193 | 249210 | 880 |
| 319.091 | 252720 | 792 |



Calculation formula: $i_{exact} = \frac{\text{Numerator}}{\text{Denominator}}$

| Actual ratio | Numerator | Denominator |
|-------------------|-----------|-------------|
| GKS 07 - 4 | | |
| 103.039 | 8179200 | 79380 |
| 112.391 | 10705920 | 95256 |
| 126.222 | 8588160 | 68040 |
| 137.748 | 8747520 | 63504 |
| 154.622 | 9017568 | 58320 |
| 179.201 | 14631424 | 81648 |
| 201.254 | 11737152 | 58320 |
| 222.909 | 12133376 | 54432 |
| 246.659 | 9590112 | 38880 |
| 273.199 | 9913856 | 36288 |
| 321.049 | 12482368 | 38880 |
| 358.829 | 13021184 | 36288 |
| 399.353 | 10351232 | 25920 |
| 464.367 | 16850944 | 36288 |
| 516.810 | 13395712 | 25920 |
| 563.572 | 17042432 | 30240 |
| 636.581 | 13750144 | 21600 |
| 683.972 | 17236096 | 25200 |
| 823.810 | 17794304 | 21600 |
| 928.237 | 18044928 | 19440 |
| 999.806 | 17996512 | 18000 |
| 1126.542 | 18249984 | 16200 |
| 1277.842 | 18400928 | 14400 |
| 1439.822 | 18660096 | 12960 |

Technical data - Helical bevel gearboxes

Ratios

Calculation formula: $i_{exact} = \frac{\text{Numerator}}{\text{Denominator}}$

| Actual ratio | Numerator | Denominator |
|-------------------|-----------|-------------|
| GKS 09 - 3 | | |
| 12.283 | 87516 | 7125 |
| 13.360 | 88842 | 6650 |
| 16.122 | 96492 | 5985 |
| 17.536 | 97954 | 5586 |
| 19.541 | 92820 | 4750 |
| 22.022 | 94146 | 4275 |
| 25.649 | 102340 | 3990 |
| 29.228 | 133280 | 4560 |
| 32.940 | 135184 | 4104 |
| 35.193 | 140420 | 3990 |
| 39.662 | 142426 | 3591 |
| 43.146 | 147560 | 3420 |
| 48.625 | 149668 | 3078 |
| 58.456 | 199920 | 3420 |
| 65.879 | 202776 | 3078 |
| 70.982 | 161840 | 2280 |
| 79.996 | 164152 | 2052 |
| 91.860 | 209440 | 2280 |
| 103.524 | 212432 | 2052 |
| 111.484 | 211820 | 1900 |
| 125.641 | 214846 | 1710 |
| 140.921 | 214200 | 1520 |
| 158.816 | 217260 | 1368 |
| 182.000 | 240240 | 1320 |
| 205.111 | 243672 | 1188 |
| 220.882 | 242970 | 1100 |
| 248.930 | 246441 | 990 |
| 279.205 | 245700 | 880 |
| 314.659 | 249210 | 792 |



Calculation formula: $i_{exact} = \frac{\text{Numerator}}{\text{Denominator}}$

| Actual ratio | Numerator | Denominator |
|-------------------|-----------|-------------|
| GKS 09 - 4 | | |
| 100.551 | 8425200 | 83790 |
| 113.320 | 8545560 | 75411 |
| 123.275 | 8853600 | 71820 |
| 138.929 | 8980080 | 64638 |
| 151.012 | 9296280 | 61560 |
| 170.188 | 9429084 | 55404 |
| 204.596 | 12594960 | 61560 |
| 230.577 | 12774888 | 55404 |
| 248.439 | 10195920 | 41040 |
| 279.986 | 10341576 | 36936 |
| 323.365 | 13270880 | 41040 |
| 364.427 | 13460464 | 36936 |
| 402.234 | 11005120 | 27360 |
| 453.311 | 11162336 | 24624 |
| 520.538 | 14241920 | 27360 |
| 586.638 | 14445376 | 24624 |
| 631.744 | 14403760 | 22800 |
| 711.965 | 14609528 | 20520 |
| 817.551 | 18640160 | 22800 |
| 921.367 | 18906448 | 20520 |
| 992.209 | 18851980 | 19000 |
| 1118.204 | 19121294 | 17100 |
| 1254.197 | 19063800 | 15200 |
| 1413.461 | 19336140 | 13680 |

Technical data - Helical bevel gearboxes

Ratios

Calculation formula: $i_{exact} = \frac{\text{Numerator}}{\text{Denominator}}$

| Actual ratio | Numerator | Denominator |
|-------------------|-----------|-------------|
| GKS 11 - 3 | | |
| 12.094 | 95238 | 7875 |
| 13.154 | 96681 | 7350 |
| 15.874 | 105006 | 6615 |
| 17.265 | 106597 | 6174 |
| 19.515 | 102453 | 5250 |
| 21.989 | 103896 | 4725 |
| 25.615 | 112961 | 4410 |
| 28.021 | 147112 | 5250 |
| 31.573 | 149184 | 4725 |
| 35.741 | 157620 | 4410 |
| 40.272 | 159840 | 3969 |
| 43.783 | 165501 | 3780 |
| 49.333 | 167832 | 3402 |
| 57.683 | 218041 | 3780 |
| 64.995 | 221112 | 3402 |
| 70.887 | 178636 | 2520 |
| 79.873 | 181152 | 2268 |
| 91.737 | 231176 | 2520 |
| 103.365 | 234432 | 2268 |
| 111.335 | 233803 | 2100 |
| 125.448 | 237096 | 1890 |
| 140.732 | 236430 | 1680 |
| 158.571 | 239760 | 1512 |
| 186.572 | 268664 | 1440 |
| 210.222 | 272448 | 1296 |
| 226.431 | 271717 | 1200 |
| 255.133 | 275544 | 1080 |
| 286.219 | 274770 | 960 |
| 322.500 | 278640 | 864 |



Calculation formula: $i_{exact} = \frac{\text{Numerator}}{\text{Denominator}}$

| Actual ratio | Numerator | Denominator |
|-------------------|-----------|-------------|
| GKS 11 - 4 | | |
| 102.119 | 9457200 | 92610 |
| 115.063 | 9590400 | 83349 |
| 125.095 | 9930060 | 79380 |
| 140.952 | 10069920 | 71442 |
| 153.242 | 10426563 | 68040 |
| 172.667 | 10573416 | 61236 |
| 201.890 | 13736583 | 68040 |
| 227.481 | 13930056 | 61236 |
| 248.106 | 11254068 | 45360 |
| 279.556 | 11412576 | 40824 |
| 322.931 | 14648152 | 45360 |
| 363.866 | 14854464 | 40824 |
| 395.787 | 11968612 | 30240 |
| 445.958 | 12137184 | 27216 |
| 512.196 | 15488792 | 30240 |
| 577.122 | 15706944 | 27216 |
| 621.619 | 15664801 | 25200 |
| 700.416 | 15885432 | 22680 |
| 816.455 | 20574664 | 25200 |
| 919.949 | 20864448 | 22680 |
| 990.879 | 20808467 | 21000 |
| 1116.484 | 21101544 | 18900 |
| 1252.516 | 21042270 | 16800 |
| 1411.286 | 21338640 | 15120 |

Technical data - Helical bevel gearboxes

Ratios

Calculation formula: $i_{exact} = \frac{\text{Numerator}}{\text{Denominator}}$

| Actual ratio | Numerator | Denominator |
|-------------------|-----------|-------------|
| GKS 14 - 3 | | |
| 12.435 | 102960 | 8280 |
| 13.525 | 104520 | 7728 |
| 16.646 | 112560 | 6762 |
| 18.311 | 147400 | 8050 |
| 20.065 | 110760 | 5520 |
| 22.609 | 112320 | 4968 |
| 24.696 | 119280 | 4830 |
| 27.165 | 156200 | 5750 |
| 30.609 | 158400 | 5175 |
| 34.692 | 167560 | 4830 |
| 39.089 | 169920 | 4347 |
| 42.531 | 176080 | 4140 |
| 47.923 | 178560 | 3726 |
| 56.251 | 232880 | 4140 |
| 63.382 | 236160 | 3726 |
| 68.942 | 190280 | 2760 |
| 77.681 | 192960 | 2484 |
| 90.551 | 249920 | 2760 |
| 102.029 | 253440 | 2484 |
| 109.896 | 252760 | 2300 |
| 123.826 | 256320 | 2070 |
| 138.913 | 255600 | 1840 |
| 156.522 | 259200 | 1656 |
| 186.572 | 268664 | 1440 |
| 210.222 | 272448 | 1296 |
| 226.431 | 271717 | 1200 |
| 255.133 | 275544 | 1080 |
| 286.219 | 274770 | 960 |
| 322.500 | 278640 | 864 |

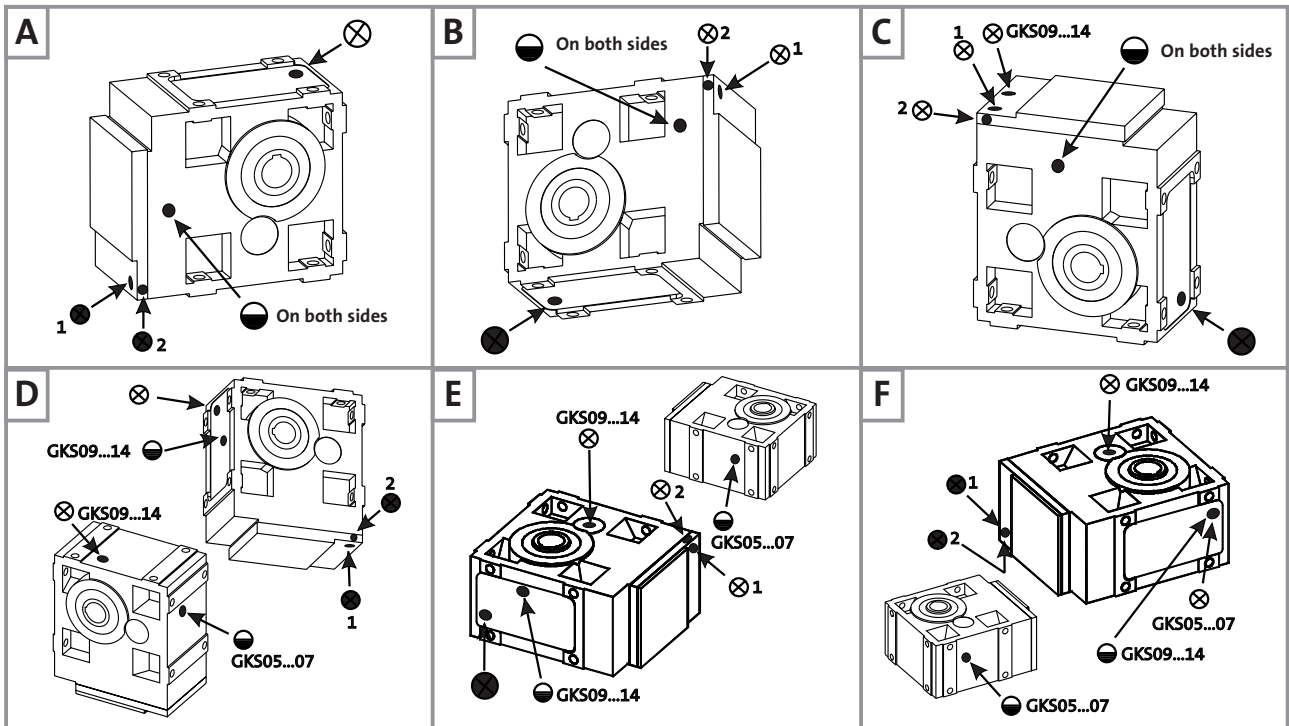


Calculation formula: $i_{exact} = \frac{\text{Numerator}}{\text{Denominator}}$

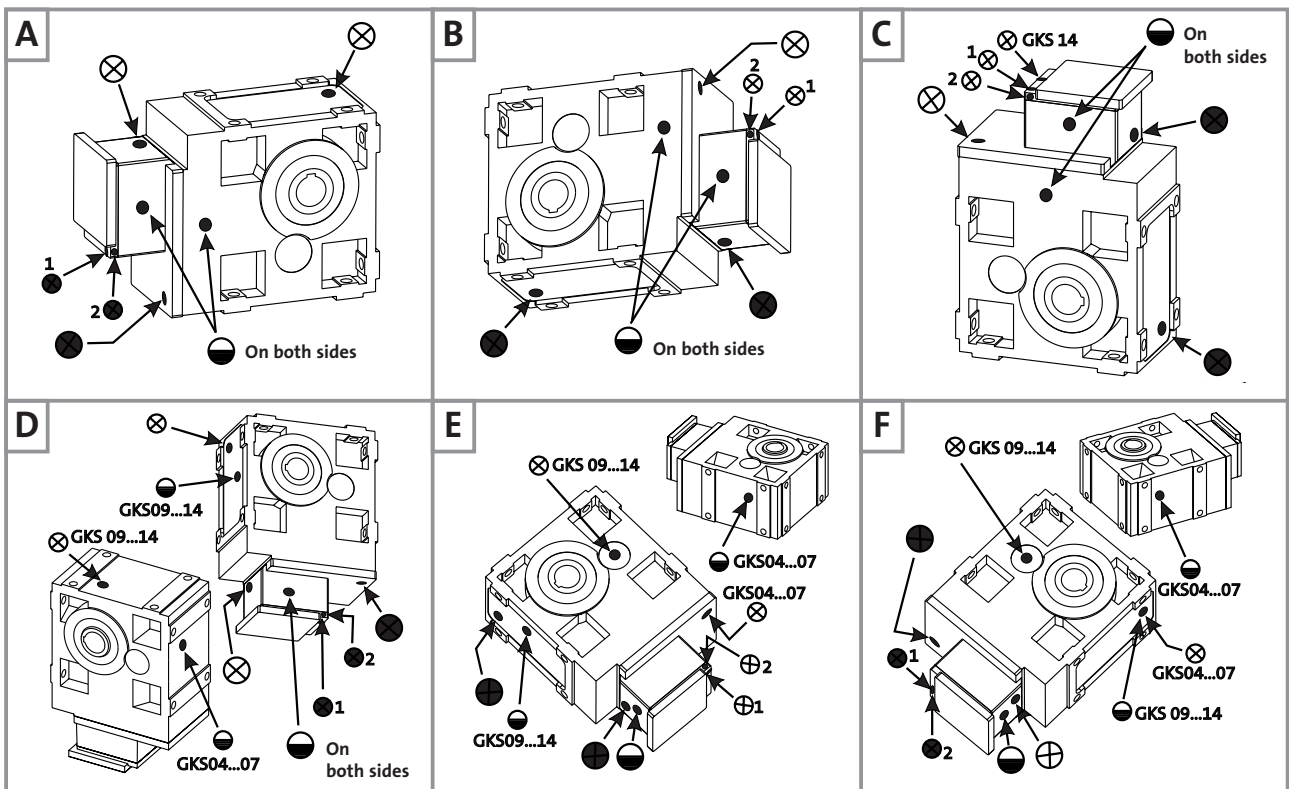
| Actual ratio | Numerator | Denominator |
|-------------------|-----------|-------------|
| GKS 14 - 4 | | |
| 97.467 | 9886040 | 101430 |
| 109.822 | 10025280 | 91287 |
| 119.493 | 10388720 | 86940 |
| 134.640 | 10535040 | 78246 |
| 158.039 | 13739920 | 86940 |
| 178.072 | 13933440 | 78246 |
| 193.754 | 14438560 | 74520 |
| 218.315 | 14641920 | 67068 |
| 237.467 | 11797360 | 49680 |
| 267.568 | 11963520 | 44712 |
| 321.729 | 15983520 | 49680 |
| 362.512 | 16208640 | 44712 |
| 390.671 | 12939040 | 33120 |
| 440.193 | 13121280 | 29808 |
| 513.121 | 16994560 | 33120 |
| 578.164 | 17233920 | 29808 |
| 622.742 | 17187680 | 27600 |
| 701.681 | 17429760 | 24840 |
| 805.901 | 22242880 | 27600 |
| 908.058 | 22556160 | 24840 |
| 978.071 | 22495640 | 23000 |
| 1102.052 | 22812480 | 20700 |
| 1236.326 | 22748400 | 18400 |
| 1393.043 | 23068800 | 16560 |

Position of ventilation, sealing elements and oil control

GKS05 ... 14-3



GKS05 ... 14-4



(A ... F) Mounting position

⊗ Ventilation/oil filler plug
● Oil drain plug

◐ Oil control plug
◑ Oil-sight glass

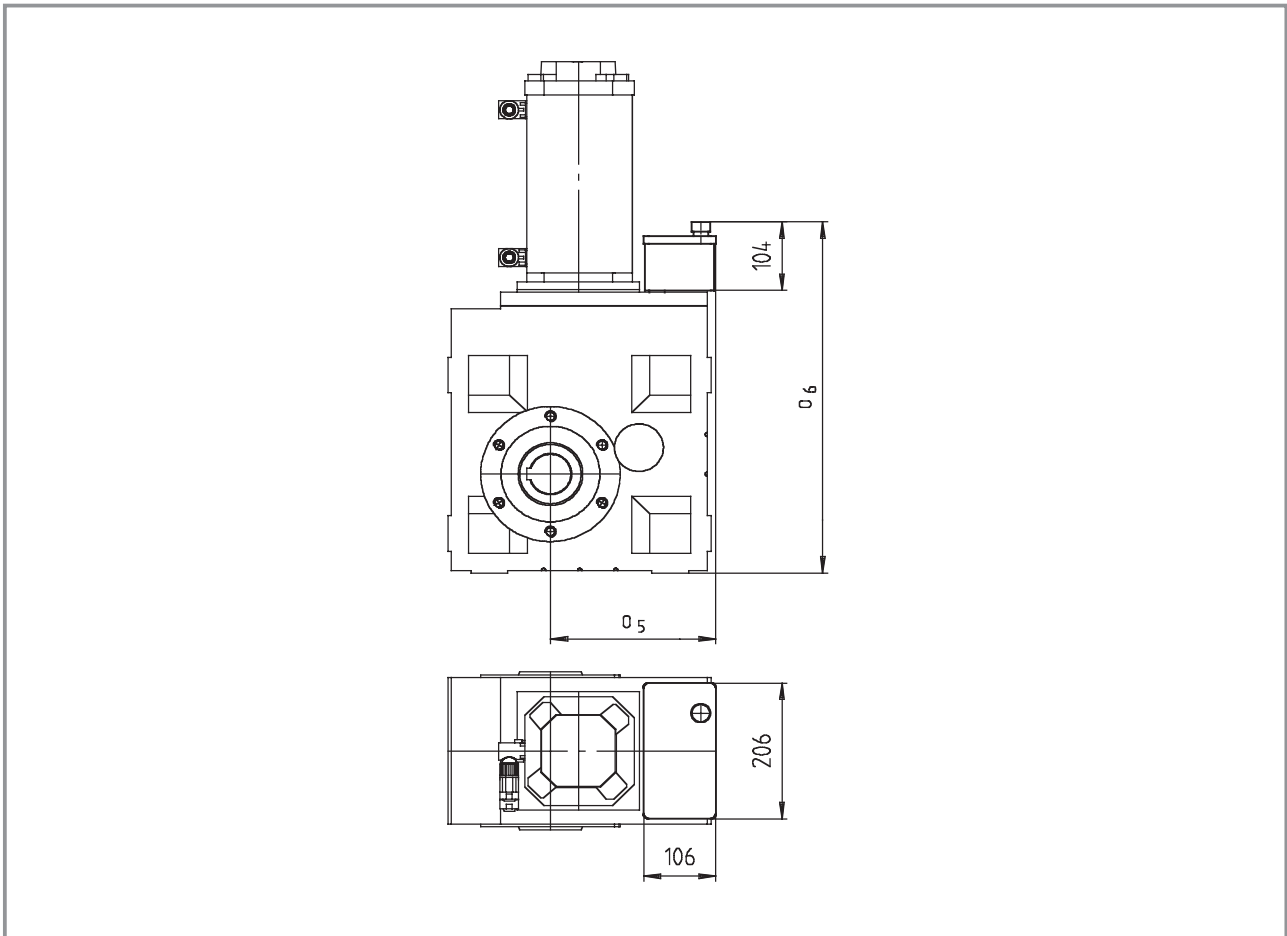
Pos. 1 Standard

Pos. 2 only on GKS05-3A □□□ 080C22
GKS07-4A □□□ 080C22



Reservoir for mounting position C

Helical-bevel gearbox GKS



| Helical bevel gearboxes GKS□□ - 3A | | Motor frame size/ Drive size | | |
|---------------------------------------|----------------|------------------------------|--------|--------|
| | | 080C22 090C22 | 100C22 | 112C22 |
| 09 | o ₅ | 243 | 265 | 282 |
| | o ₆ | 533 | 533 | 533 |
| 11 | o ₅ | 258 | 280 | 304 |
| | o ₆ | 626 | 630 | 630 |
| 14 | o ₅ | | 313 | 343 |
| | o ₆ | | 739 | 739 |

Dimensions in [mm]

Connector/terminal box position 4 not permissible.

Helical-bevel gearbox GKS□□-3

| Gearbox size | naturally ventilated | | | | | | | | | | |
|--------------|--|-----|-----|------------|-----|---|------------|------------|------------|------------|------------|
| | GKS□□-3S HAR/HBR with motor frame size (synchronous) | | | | | GKS□□-3A HAR/HBR with motor frame size (asynchronous) | | | | | |
| | 056 C23 | C33 | C03 | 071 C13 | C33 | 056 C22 | 071 C22 | 080 C22 | 090 C22 | 100 C22 | 112 C22 |
| 04 | 17 | 18 | 21 | 23 | 25 | 18 | 23 | | | | |
| 05 | 27 | 28 | 31 | 33 | 35 | 28 | 32 | 38 | | | |
| 06 | 41 | 42 | 45 | 47 | 49 | 42 | 46 | 52 | 60 | | |
| 07 | 67 | 68 | 71 | 73 | 75 | 68 | 72 | 78 | 86 | 109 | 126 |
| 09 | | | | | | | | 126 | 134 | 157 | 175 |
| 11 | | | | | | | | 226 | 234 | 256 | 273 |
| 14 | | | | | | | | | | 427 | 441 |

Helical-bevel gearboxes GKS□□-4

| Gearbox size | naturally ventilated | | | | | | | | | | |
|--------------|--|-----|-----|------------|-----|---|------------|------------|------------|------------|------------|
| | GKS□□-4S HAR/HBR with motor frame size (synchronous) | | | | | GKS□□-4A HAR/HBR with motor frame size (asynchronous) | | | | | |
| | 056 C23 | C33 | C03 | 071 C13 | C33 | 056 C22 | 071 C22 | 080 C22 | 090 C22 | 100 C22 | 112 C22 |
| 05 | 28 | 29 | 32 | 34 | 36 | 29 | 33 | | | | |
| 06 | 45 | 46 | 49 | 51 | 53 | 46 | 50 | | | | |
| 07 | 75 | 76 | 79 | 81 | 83 | 76 | 80 | 86 | | | |
| 09 | 128 | 129 | 132 | 134 | 136 | 129 | 133 | 139 | 147 | | |
| 11 | 236 | 237 | 240 | 242 | 244 | 237 | 241 | 247 | 255 | 278 | 295 |
| 14 | | | | | | | | 432 | 440 | 463 | 481 |

Additional weights

At the drive end

| C23 | 056 C33 | Synchronous | | | 056 C22 | 071 C22 | Asynchronous | | | 100 C22 | 112 C22 |
|-------------------|------------|-------------|------------|-----|------------|------------|--------------|------------|-----|------------|------------|
| | | C03 | 071 C13 | C33 | | | 080 C22 | 090 C22 | | | |
| forced ventilated | | | | | | | | | | | |
| – | – | 1.3 | 1.3 | 1.3 | – | 1.6 | 1.9 | 2.6 | 3.5 | 3.5 | |
| Brake | | | | | | | | | | | |
| 0.9 | 0.9 | 1.4 | 1.4 | 1.4 | 0.9 | 1.4 | 1.5 | 2.4 | 4.8 | 5.0 | |

At the non-drive end

| Gearbox size | Solid shaft V□□ | 2nd output shaft end V□□ | Hollow shaft with shrink disc S□□ | Flange □□K | Torque plate Housing foot | Torque plate Pitch circle |
|--------------|--------------------|-----------------------------|--------------------------------------|---------------|------------------------------|------------------------------|
| 04 | 0.6 | 0.2 | 0.6 | 2.5 | 1.3 | 0.9 |
| 05 | 1 | 0.3 | 0.8 | 4 | 2.2 | 1.3 |
| 06 | 2.5 | 0.8 | 1 | 7 | 3.7 | 2.1 |
| 07 | 5 | 1.5 | 1.5 | 11 | 6.6 | 3.7 |
| 09 | 8 | 2.7 | 3 | 16 | 13 | |
| 11 | 16 | 6.3 | 5 | 24 | 23 | |
| 14 | 33 | 12 | 11 | 33 | 44 | |

Weights in [kg] with oil capacity for mounting position A. All data is approximate

Selection tables - Helical-bevel gearboxes

Naturally ventilated synchronous geared servo motors



| M ₂ [Nm] | n _{2 trans} [rpm] | c | i | M _{2 max} short-time on geared motor at | | | | M _{2 Gr} gearbox c=1 n ₁ ≤1400 rpm [Nm] | n _{2 therm} [rpm] | J _{GM} referred to motor shaft [kgm ²] | Helical-bevel geared servo motor Dimensions on Page 6-88 |
|------------------------|-------------------------------|-----|--------|---|-------------|----------------------------|-------------|---|-------------------------------|---|---|
| | | | | 8 kHz | | 16 kHz | | | | | |
| | | | | M _{2 max} [Nm] | Type EVS | M _{2 max} [Nm] | Type EVS | | | | |
| 13 | 742 | 4.3 | 5.123 | 23 | 9322 | 26 | 9323 | 81 | 687 | 2.57E-04 | GKS04 - 3S □□□ 056C23 MDSKS□□ 056-23 190 |
| 18 | 541 | 3.6 | 7.025 | 31 | 9322 | 36 | 9323 | 93 | 538 | 2.08E-04 | GKS04 - 3S □□□ 056C23 MDSKS□□ 056-23 190 |
| 21 | 465 | 4.3 | 8.167 | 36 | 9322 | 42 | 9323 | 128 | 431 | 2.26E-04 | GKS04 - 3S □□□ 056C23 MDSKS□□ 056-23 190 |
| 23 | 423 | 3.2 | 8.991 | 40 | 9322 | 46 | 9323 | 103 | 423 | 1.84E-04 | GKS04 - 3S □□□ 056C23 MDSKS□□ 056-23 190 |
| 26 | 386 | 3.0 | 9.836 | 43 | 9322 | 50 | 9323 | 106 | 386 | 1.78E-04 | GKS04 - 3S □□□ 056C23 MDSKS□□ 056-23 190 |
| 30 | 324 | 4.2 | 11.730 | 52 | 9322 | 60 | 9323 | 180 | 299 | 2.13E-04 | GKS04 - 3S □□□ 056C23 MDSKS□□ 056-23 190 |
| 34 | 291 | 3.5 | 13.067 | 58 | 9322 | 67 | 9323 | 165 | 258 | 2.10E-04 | GKS04 - 3S □□□ 056C23 MDSKS□□ 056-23 190 |
| 37 | 265 | 3.2 | 14.333 | 63 | 9322 | 73 | 9323 | 164 | 265 | 1.75E-04 | GKS04 - 3S □□□ 056C23 MDSKS□□ 056-23 190 |
| 42 | 236 | 3.1 | 16.087 | 71 | 9322 | 82 | 9323 | 181 | 229 | 1.84E-04 | GKS04 - 3S □□□ 056C23 MDSKS□□ 056-23 190 |
| 47 | 212 | 2.6 | 17.920 | 79 | 9322 | 91 | 9323 | 166 | 198 | 1.83E-04 | GKS04 - 3S □□□ 056C23 MDSKS□□ 056-23 190 |
| 54 | 185 | 2.4 | 20.588 | 91 | 9322 | 105 | 9323 | 182 | 185 | 1.70E-04 | GKS04 - 3S □□□ 056C23 MDSKS□□ 056-23 190 |
| 59 | 169 | 2.2 | 22.522 | 99 | 9322 | 115 | 9323 | 182 | 169 | 1.66E-04 | GKS04 - 3S □□□ 056C23 MDSKS□□ 056-23 190 |
| 66 | 151 | 1.8 | 25.088 | 110 | 9322 | 128 | 9323 | 167 | 151 | 1.65E-04 | GKS04 - 3S □□□ 056C23 MDSKS□□ 056-23 190 |
| 76 | 132 | 1.8 | 28.727 | 126 | 9322 | 146 | 9323 | 183 | 132 | 1.58E-04 | GKS04 - 3S □□□ 056C23 MDSKS□□ 056-23 190 |
| 85 | 119 | 1.4 | 32.000 | 141 | 9322 | 163 | 9323 | 167 | 119 | 1.58E-04 | GKS04 - 3S □□□ 056C23 MDSKS□□ 056-23 190 |
| 93 | 108 | 1.4 | 35.191 | 155 | 9322 | 179 | 9323 | 183 | 108 | 1.54E-04 | GKS04 - 3S □□□ 056C23 MDSKS□□ 056-23 190 |
| 104 | 97 | 1.2 | 39.200 | 172 | 9322 | 200 | 9323 | 168 | 97 | 1.53E-04 | GKS04 - 3S □□□ 056C23 MDSKS□□ 056-23 190 |
| 117 | 86 | 1.3 | 44.240 | 195 | 9322 | 225 | 9323 | 185 | 86 | 1.49E-04 | GKS04 - 3S □□□ 056C23 MDSKS□□ 056-23 190 |
| 135 | 75 | 1.1 | 50.943 | 224 | 9322 | 259 | 9323 | 182 | 63 | 1.58E-04 | GKS04 - 3S □□□ 056C23 MDSKS□□ 056-23 190 |
| 151 | 67 | 1.0 | 56.976 | 251 | 9322 | 281 | 9323 | 187 | 67 | 1.46E-04 | GKS04 - 3S □□□ 056C23 MDSKS□□ 056-23 190 |
| 20 | 781 | 2.8 | 5.123 | 34 | 9323 | 44 | 9324 | 81 | 634 | 3.17E-04 | GKS04 - 3S □□□ 056C33 MDSKS□□ 056-33 200 |
| 28 | 569 | 2.4 | 7.025 | 46 | 9323 | 60 | 9324 | 93 | 499 | 2.68E-04 | GKS04 - 3S □□□ 056C33 MDSKS□□ 056-33 200 |
| 32 | 490 | 2.8 | 8.167 | 53 | 9323 | 70 | 9324 | 128 | 398 | 2.86E-04 | GKS04 - 3S □□□ 056C33 MDSKS□□ 056-33 200 |
| 35 | 445 | 2.1 | 8.991 | 59 | 9323 | 77 | 9324 | 103 | 445 | 2.44E-04 | GKS04 - 3S □□□ 056C33 MDSKS□□ 056-33 200 |
| 39 | 407 | 2.0 | 9.836 | 64 | 9323 | 84 | 9324 | 106 | 407 | 2.38E-04 | GKS04 - 3S □□□ 056C33 MDSKS□□ 056-33 200 |
| 46 | 341 | 2.8 | 11.730 | 77 | 9323 | 100 | 9324 | 180 | 275 | 2.73E-04 | GKS04 - 3S □□□ 056C33 MDSKS□□ 056-33 200 |
| 51 | 306 | 2.3 | 13.067 | 85 | 9323 | 111 | 9324 | 165 | 238 | 2.70E-04 | GKS04 - 3S □□□ 056C33 MDSKS□□ 056-33 200 |
| 57 | 279 | 2.1 | 14.333 | 94 | 9323 | 122 | 9324 | 164 | 279 | 2.35E-04 | GKS04 - 3S □□□ 056C33 MDSKS□□ 056-33 200 |
| 63 | 249 | 2.0 | 16.087 | 105 | 9323 | 137 | 9324 | 181 | 212 | 2.44E-04 | GKS04 - 3S □□□ 056C33 MDSKS□□ 056-33 200 |
| 71 | 223 | 1.7 | 17.920 | 117 | 9323 | 153 | 9324 | 166 | 175 | 2.43E-04 | GKS04 - 3S □□□ 056C33 MDSKS□□ 056-33 200 |
| 82 | 194 | 1.6 | 20.588 | 135 | 9323 | 175 | 9324 | 182 | 174 | 2.30E-04 | GKS04 - 3S □□□ 056C33 MDSKS□□ 056-33 200 |
| 89 | 178 | 1.5 | 22.522 | 147 | 9323 | 192 | 9324 | 182 | 160 | 2.26E-04 | GKS04 - 3S □□□ 056C33 MDSKS□□ 056-33 200 |
| 100 | 159 | 1.2 | 25.088 | 164 | 9323 | 214 | 9324 | 167 | 132 | 2.25E-04 | GKS04 - 3S □□□ 056C33 MDSKS□□ 056-33 200 |
| 114 | 139 | 1.2 | 28.727 | 188 | 9323 | 245 | 9324 | 183 | 131 | 2.18E-04 | GKS04 - 3S □□□ 056C33 MDSKS□□ 056-33 200 |

Observe the notes for thermal dimensioning.

Selection tables - Helical-bevel gearboxes

Naturally ventilated synchronous geared servo motors

| M ₂ [Nm] | n ₂ trans [rpm] | c | i | M ₂ max short-time on geared motor at | | | | M ₂ Gr gearbox c=1 n ₁ ≤ 1400 rpm [Nm] | n ₂ therm [rpm] | J _{GM} referred to motor shaft [kgm ²] | Helical-bevel geared servo motor Dimensions on Page 6-88 |
|------------------------|-------------------------------|-----|--------|---|-------------|----------------------------|-------------|--|-------------------------------|---|---|
| | | | | 8 kHz | | 16 kHz | | | | | |
| | | | | M ₂ max [Nm] | Type EVS | M ₂ max [Nm] | Type EVS | | | | |
| 27 | 664 | 2.2 | 5.123 | 39 | 9323 | 52 | 9324 | 81 | 602 | 7.17E-04 | GKS04 - 3S □□□ 071C03 MDSKS□□ 071-03 170 |
| 38 | 484 | 1.9 | 7.025 | 54 | 9323 | 71 | 9324 | 93 | 467 | 6.68E-04 | GKS04 - 3S □□□ 071C03 MDSKS□□ 071-03 170 |
| 44 | 416 | 2.2 | 8.167 | 62 | 9323 | 82 | 9324 | 128 | 378 | 6.86E-04 | GKS04 - 3S □□□ 071C03 MDSKS□□ 071-03 170 |
| 48 | 378 | 1.6 | 8.991 | 68 | 9323 | 90 | 9324 | 103 | 378 | 6.44E-04 | GKS04 - 3S □□□ 071C03 MDSKS□□ 071-03 170 |
| 53 | 346 | 1.5 | 9.836 | 75 | 9323 | 99 | 9324 | 106 | 346 | 6.38E-04 | GKS04 - 3S □□□ 071C03 MDSKS□□ 071-03 170 |
| 63 | 290 | 2.2 | 11.730 | 89 | 9323 | 118 | 9324 | 180 | 262 | 6.73E-04 | GKS04 - 3S □□□ 071C03 MDSKS□□ 071-03 170 |
| 70 | 260 | 1.8 | 13.067 | 99 | 9323 | 131 | 9324 | 165 | 218 | 6.70E-04 | GKS04 - 3S □□□ 071C03 MDSKS□□ 071-03 170 |
| 77 | 237 | 1.6 | 14.333 | 109 | 9323 | 144 | 9324 | 164 | 237 | 6.35E-04 | GKS04 - 3S □□□ 071C03 MDSKS□□ 071-03 170 |
| 87 | 211 | 1.6 | 16.087 | 122 | 9323 | 162 | 9324 | 181 | 189 | 6.44E-04 | GKS04 - 3S □□□ 071C03 MDSKS□□ 071-03 170 |
| 97 | 190 | 1.3 | 17.920 | 136 | 9323 | 180 | 9324 | 166 | 156 | 6.43E-04 | GKS04 - 3S □□□ 071C03 MDSKS□□ 071-03 170 |
| 111 | 165 | 1.2 | 20.588 | 157 | 9323 | 207 | 9324 | 182 | 155 | 6.30E-04 | GKS04 - 3S □□□ 071C03 MDSKS□□ 071-03 170 |
| 122 | 151 | 1.1 | 22.522 | 171 | 9323 | 227 | 9324 | 182 | 143 | 6.26E-04 | GKS04 - 3S □□□ 071C03 MDSKS□□ 071-03 170 |
| 40 | 722 | 1.5 | 5.123 | 61 | 9324 | 84 | 9325 | 81 | 503 | 9.17E-04 | GKS04 - 3S □□□ 071C13 MDSKS□□ 071-13 185 |
| 55 | 527 | 1.2 | 7.025 | 83 | 9324 | 115 | 9325 | 93 | 390 | 8.68E-04 | GKS04 - 3S □□□ 071C13 MDSKS□□ 071-13 185 |
| 64 | 453 | 1.5 | 8.167 | 97 | 9324 | 133 | 9325 | 128 | 315 | 8.86E-04 | GKS04 - 3S □□□ 071C13 MDSKS□□ 071-13 185 |
| 71 | 412 | 1.1 | 8.991 | 106 | 9324 | 147 | 9325 | 103 | 333 | 8.44E-04 | GKS04 - 3S □□□ 071C13 MDSKS□□ 071-13 185 |
| 78 | 376 | 1.0 | 9.836 | 116 | 9324 | 159 | 9325 | 106 | 314 | 8.38E-04 | GKS04 - 3S □□□ 071C13 MDSKS□□ 071-13 185 |
| 92 | 315 | 1.4 | 11.730 | 139 | 9324 | 191 | 9325 | 180 | 217 | 8.73E-04 | GKS04 - 3S □□□ 071C13 MDSKS□□ 071-13 185 |
| 103 | 283 | 1.2 | 13.067 | 155 | 9324 | 213 | 9325 | 165 | 177 | 8.70E-04 | GKS04 - 3S □□□ 071C13 MDSKS□□ 071-13 185 |
| 113 | 258 | 1.1 | 14.333 | 170 | 9324 | 234 | 9325 | 164 | 209 | 8.35E-04 | GKS04 - 3S □□□ 071C13 MDSKS□□ 071-13 185 |
| 127 | 230 | 1.1 | 16.087 | 190 | 9324 | 262 | 9325 | 181 | 160 | 8.44E-04 | GKS04 - 3S □□□ 071C13 MDSKS□□ 071-13 185 |
| 60 | 703 | 1.0 | 5.123 | 117 | 9325 | 87 | 9325 | 81 | 421 | 1.12E-03 | GKS04 - 3S □□□ 071C33 MDSKS□□ 071-33 180 |
| 95 | 441 | 1.0 | 8.167 | 186 | 9325 | 139 | 9325 | 128 | 264 | 1.09E-03 | GKS04 - 3S □□□ 071C33 MDSKS□□ 071-33 180 |
| 34 | 288 | 3.5 | 13.176 | 58 | 9322 | 67 | 9323 | 165 | 284 | 2.11E-04 | GKS05 - 3S □□□ 056C23 MDSKS□□ 056-23 190 |
| 78 | 127 | 3.0 | 29.931 | 132 | 9322 | 152 | 9323 | 330 | 118 | 2.07E-04 | GKS05 - 3S □□□ 056C23 MDSKS□□ 056-23 190 |
| 85 | 116 | 2.8 | 32.744 | 144 | 9322 | 167 | 9323 | 331 | 110 | 1.98E-04 | GKS05 - 3S □□□ 056C23 MDSKS□□ 056-23 190 |
| 97 | 103 | 2.3 | 36.894 | 162 | 9322 | 188 | 9323 | 302 | 94 | 1.98E-04 | GKS05 - 3S □□□ 056C23 MDSKS□□ 056-23 190 |
| 110 | 91 | 2.2 | 41.765 | 184 | 9322 | 213 | 9323 | 331 | 91 | 1.82E-04 | GKS05 - 3S □□□ 056C23 MDSKS□□ 056-23 190 |
| 124 | 81 | 2.0 | 47.059 | 207 | 9322 | 240 | 9323 | 304 | 81 | 1.81E-04 | GKS05 - 3S □□□ 056C23 MDSKS□□ 056-23 190 |
| 135 | 74 | 2.0 | 51.162 | 225 | 9322 | 261 | 9323 | 331 | 74 | 1.72E-04 | GKS05 - 3S □□□ 056C23 MDSKS□□ 056-23 190 |
| 152 | 66 | 1.7 | 57.647 | 254 | 9322 | 294 | 9323 | 307 | 66 | 1.72E-04 | GKS05 - 3S □□□ 056C23 MDSKS□□ 056-23 190 |
| 176 | 57 | 1.6 | 66.592 | 293 | 9322 | 339 | 9323 | 331 | 57 | 1.60E-04 | GKS05 - 3S □□□ 056C23 MDSKS□□ 056-23 190 |
| 199 | 51 | 1.3 | 75.033 | 330 | 9322 | 382 | 9323 | 310 | 51 | 1.60E-04 | GKS05 - 3S □□□ 056C23 MDSKS□□ 056-23 190 |
| 220 | 46 | 1.3 | 82.833 | 364 | 9322 | 422 | 9323 | 331 | 46 | 1.55E-04 | GKS05 - 3S □□□ 056C23 MDSKS□□ 056-23 190 |

Observe the notes for thermal dimensioning.

Selection tables - Helical-bevel gearboxes

Naturally ventilated synchronous geared servo motors



| M ₂ [Nm] | n ₂ trans [rpm] | c | i | M ₂ max short-time on geared motor at | | | | M ₂ Gr gearbox c=1 n ₁ ≤ 1400 rpm [Nm] | n ₂ therm [rpm] | J _{GM} referred to motor shaft [kgm ²] | Helical-bevel geared servo motor Dimensions on Page 6-88 |
|------------------------|-------------------------------|-----|--------|--|----------|-------------------------|----------|---|-------------------------------|--|---|
| | | | | 8 kHz | | 16 kHz | | | | | |
| | | | | M ₂ max [Nm] | Type EVS | M ₂ max [Nm] | Type EVS | | | | |
| 248 | 41 | 1.1 | 93.333 | 411 | 9322 | 473 | 9323 | 315 | 41 | 1.54E-04 | GKS05 - 3S □□□ 056C23 MDSKS□□ 056-23 190 |
| 52 | 304 | 2.3 | 13.176 | 86 | 9323 | 112 | 9324 | 165 | 263 | 2.71E-04 | GKS05 - 3S □□□ 056C33 MDSKS□□ 056-33 200 |
| 118 | 134 | 2.0 | 29.931 | 196 | 9323 | 255 | 9324 | 330 | 109 | 2.67E-04 | GKS05 - 3S □□□ 056C33 MDSKS□□ 056-33 200 |
| 129 | 122 | 1.8 | 32.744 | 214 | 9323 | 279 | 9324 | 331 | 99 | 2.58E-04 | GKS05 - 3S □□□ 056C33 MDSKS□□ 056-33 200 |
| 146 | 108 | 1.5 | 36.894 | 241 | 9323 | 314 | 9324 | 302 | 80 | 2.58E-04 | GKS05 - 3S □□□ 056C33 MDSKS□□ 056-33 200 |
| 166 | 96 | 1.4 | 41.765 | 273 | 9323 | 355 | 9324 | 331 | 82 | 2.42E-04 | GKS05 - 3S □□□ 056C33 MDSKS□□ 056-33 200 |
| 187 | 85 | 1.3 | 47.059 | 308 | 9323 | 401 | 9324 | 304 | 70 | 2.41E-04 | GKS05 - 3S □□□ 056C33 MDSKS□□ 056-33 200 |
| 203 | 78 | 1.3 | 51.162 | 334 | 9323 | 435 | 9324 | 331 | 73 | 2.32E-04 | GKS05 - 3S □□□ 056C33 MDSKS□□ 056-33 200 |
| 230 | 69 | 1.1 | 57.647 | 377 | 9323 | 461 | 9324 | 307 | 60 | 2.32E-04 | GKS05 - 3S □□□ 056C33 MDSKS□□ 056-33 200 |
| 266 | 60 | 1.0 | 66.592 | 435 | 9323 | 497 | 9324 | 331 | 60 | 2.20E-04 | GKS05 - 3S □□□ 056C33 MDSKS□□ 056-33 200 |
| 36 | 495 | 3.0 | 6.863 | 52 | 9323 | 69 | 9324 | 147 | 398 | 7.90E-04 | GKS05 - 3S □□□ 071C03 MDSKS□□ 071-03 170 |
| 50 | 361 | 2.5 | 9.412 | 72 | 9323 | 95 | 9324 | 165 | 327 | 7.17E-04 | GKS05 - 3S □□□ 071C03 MDSKS□□ 071-03 170 |
| 56 | 322 | 3.0 | 10.569 | 80 | 9323 | 106 | 9324 | 227 | 258 | 7.60E-04 | GKS05 - 3S □□□ 071C03 MDSKS□□ 071-03 170 |
| 62 | 291 | 3.0 | 11.667 | 89 | 9323 | 117 | 9324 | 251 | 234 | 7.65E-04 | GKS05 - 3S □□□ 071C03 MDSKS□□ 071-03 170 |
| 71 | 258 | 1.8 | 13.176 | 100 | 9323 | 133 | 9324 | 165 | 243 | 6.71E-04 | GKS05 - 3S □□□ 071C03 MDSKS□□ 071-03 170 |
| 77 | 235 | 2.5 | 14.494 | 110 | 9323 | 146 | 9324 | 254 | 212 | 7.04E-04 | GKS05 - 3S □□□ 071C03 MDSKS□□ 071-03 170 |
| 85 | 213 | 2.5 | 16.000 | 122 | 9323 | 161 | 9324 | 280 | 192 | 7.04E-04 | GKS05 - 3S □□□ 071C03 MDSKS□□ 071-03 170 |
| 91 | 199 | 2.6 | 17.054 | 130 | 9323 | 172 | 9324 | 314 | 155 | 7.51E-04 | GKS05 - 3S □□□ 071C03 MDSKS□□ 071-03 170 |
| 103 | 177 | 2.2 | 19.216 | 146 | 9323 | 193 | 9324 | 297 | 132 | 7.47E-04 | GKS05 - 3S □□□ 071C03 MDSKS□□ 071-03 170 |
| 125 | 145 | 2.0 | 23.388 | 178 | 9323 | 235 | 9324 | 329 | 126 | 6.96E-04 | GKS05 - 3S □□□ 071C03 MDSKS□□ 071-03 170 |
| 142 | 129 | 1.6 | 26.353 | 201 | 9323 | 265 | 9324 | 298 | 99 | 6.95E-04 | GKS05 - 3S □□□ 071C03 MDSKS□□ 071-03 170 |
| 161 | 114 | 1.6 | 29.931 | 228 | 9323 | 301 | 9324 | 330 | 96 | 6.67E-04 | GKS05 - 3S □□□ 071C03 MDSKS□□ 071-03 170 |
| 176 | 104 | 1.4 | 32.744 | 249 | 9323 | 329 | 9324 | 331 | 88 | 6.58E-04 | GKS05 - 3S □□□ 071C03 MDSKS□□ 071-03 170 |
| 199 | 92 | 1.2 | 36.894 | 281 | 9323 | 371 | 9324 | 302 | 72 | 6.58E-04 | GKS05 - 3S □□□ 071C03 MDSKS□□ 071-03 170 |
| 226 | 81 | 1.1 | 41.765 | 318 | 9323 | 420 | 9324 | 331 | 74 | 6.42E-04 | GKS05 - 3S □□□ 071C03 MDSKS□□ 071-03 170 |
| 255 | 72 | 1.0 | 47.059 | 358 | 9323 | 456 | 9324 | 304 | 63 | 6.41E-04 | GKS05 - 3S □□□ 071C03 MDSKS□□ 071-03 170 |
| 277 | 66 | 1.0 | 51.162 | 389 | 9323 | 497 | 9324 | 331 | 66 | 6.32E-04 | GKS05 - 3S □□□ 071C03 MDSKS□□ 071-03 170 |
| 54 | 539 | 2.0 | 6.863 | 81 | 9324 | 112 | 9325 | 147 | 364 | 9.90E-04 | GKS05 - 3S □□□ 071C13 MDSKS□□ 071-13 185 |
| 74 | 393 | 1.6 | 9.412 | 111 | 9324 | 154 | 9325 | 165 | 281 | 9.17E-04 | GKS05 - 3S □□□ 071C13 MDSKS□□ 071-13 185 |
| 82 | 350 | 2.0 | 10.569 | 125 | 9324 | 172 | 9325 | 227 | 237 | 9.60E-04 | GKS05 - 3S □□□ 071C13 MDSKS□□ 071-13 185 |
| 91 | 317 | 2.0 | 11.667 | 138 | 9324 | 190 | 9325 | 251 | 214 | 9.65E-04 | GKS05 - 3S □□□ 071C13 MDSKS□□ 071-13 185 |
| 104 | 281 | 1.2 | 13.176 | 156 | 9324 | 215 | 9325 | 165 | 203 | 8.71E-04 | GKS05 - 3S □□□ 071C13 MDSKS□□ 071-13 185 |
| 113 | 255 | 1.6 | 14.494 | 171 | 9324 | 236 | 9325 | 254 | 183 | 9.04E-04 | GKS05 - 3S □□□ 071C13 MDSKS□□ 071-13 185 |
| 125 | 231 | 1.6 | 16.000 | 189 | 9324 | 261 | 9325 | 280 | 166 | 9.04E-04 | GKS05 - 3S □□□ 071C13 MDSKS□□ 071-13 185 |

Observe the notes for thermal dimensioning.

Selection tables - Helical-bevel gearboxes

Naturally ventilated synchronous geared servo motors

| M ₂ [Nm] | n ₂ trans [rpm] | c | i | M ₂ max short-time on geared motor at | | | | M ₂ Gr gearbox c=1 n ₁ ≤ 1400 rpm [Nm] | n ₂ therm [rpm] | J _{GM} referred to motor shaft [kgm ²] | Helical-bevel geared servo motor Dimensions on Page 6-88 |
|------------------------|-------------------------------|-----|---------|---|-------------|----------------------------|-------------|--|-------------------------------|---|---|
| | | | | 8 kHz | | 16 kHz | | | | | |
| | | | | M ₂ max [Nm] | Type EVS | M ₂ max [Nm] | Type EVS | | | | |
| 133 | 217 | 1.7 | 17.054 | 202 | 9324 | 278 | 9325 | 314 | 135 | 9.51E-04 | GKS05 - 3S □□□ 071C13 MDSKS□□ 071-13 185 |
| 151 | 193 | 1.5 | 19.216 | 227 | 9324 | 313 | 9325 | 297 | 109 | 9.47E-04 | GKS05 - 3S □□□ 071C13 MDSKS□□ 071-13 185 |
| 184 | 158 | 1.3 | 23.388 | 277 | 9324 | 381 | 9325 | 329 | 101 | 8.96E-04 | GKS05 - 3S □□□ 071C13 MDSKS□□ 071-13 185 |
| 208 | 140 | 1.1 | 26.353 | 312 | 9324 | 430 | 9325 | 298 | 81 | 8.95E-04 | GKS05 - 3S □□□ 071C13 MDSKS□□ 071-13 185 |
| 236 | 124 | 1.0 | 29.931 | 354 | 9324 | 488 | 9325 | 330 | 81 | 8.67E-04 | GKS05 - 3S □□□ 071C13 MDSKS□□ 071-13 185 |
| 80 | 525 | 1.4 | 6.863 | 156 | 9325 | 117 | 9325 | 147 | 298 | 1.19E-03 | GKS05 - 3S □□□ 071C33 MDSKS□□ 071-33 180 |
| 110 | 383 | 1.1 | 9.412 | 215 | 9325 | 161 | 9325 | 165 | 232 | 1.12E-03 | GKS05 - 3S □□□ 071C33 MDSKS□□ 071-33 180 |
| 123 | 341 | 1.4 | 10.569 | 241 | 9325 | 180 | 9325 | 227 | 194 | 1.16E-03 | GKS05 - 3S □□□ 071C33 MDSKS□□ 071-33 180 |
| 136 | 309 | 1.4 | 11.667 | 266 | 9325 | 199 | 9325 | 251 | 175 | 1.16E-03 | GKS05 - 3S □□□ 071C33 MDSKS□□ 071-33 180 |
| 169 | 248 | 1.1 | 14.494 | 330 | 9325 | 247 | 9325 | 254 | 151 | 1.10E-03 | GKS05 - 3S □□□ 071C33 MDSKS□□ 071-33 180 |
| 187 | 225 | 1.1 | 16.000 | 365 | 9325 | 273 | 9325 | 280 | 136 | 1.10E-03 | GKS05 - 3S □□□ 071C33 MDSKS□□ 071-33 180 |
| 199 | 211 | 1.2 | 17.054 | 389 | 9325 | 291 | 9325 | 314 | 111 | 1.15E-03 | GKS05 - 3S □□□ 071C33 MDSKS□□ 071-33 180 |
| 92 | 105 | 5.2 | 36.303 | 160 | 9322 | 185 | 9323 | 685 | 105 | 2.58E-04 | GKS06 - 3S □□□ 056C23 MDSKS□□ 056-23 190 |
| 149 | 66 | 3.8 | 57.882 | 255 | 9322 | 295 | 9323 | 695 | 66 | 1.98E-04 | GKS06 - 3S □□□ 056C23 MDSKS□□ 056-23 190 |
| 170 | 58 | 3.0 | 65.207 | 287 | 9322 | 332 | 9323 | 624 | 58 | 1.97E-04 | GKS06 - 3S □□□ 056C23 MDSKS□□ 056-23 190 |
| 187 | 53 | 3.1 | 72.000 | 317 | 9322 | 367 | 9323 | 702 | 53 | 1.82E-04 | GKS06 - 3S □□□ 056C23 MDSKS□□ 056-23 190 |
| 212 | 47 | 2.4 | 81.111 | 357 | 9322 | 413 | 9323 | 630 | 47 | 1.82E-04 | GKS06 - 3S □□□ 056C23 MDSKS□□ 056-23 190 |
| 244 | 41 | 2.4 | 93.176 | 410 | 9322 | 474 | 9323 | 702 | 41 | 1.66E-04 | GKS06 - 3S □□□ 056C23 MDSKS□□ 056-23 190 |
| 277 | 36 | 1.9 | 104.967 | 462 | 9322 | 534 | 9323 | 635 | 36 | 1.65E-04 | GKS06 - 3S □□□ 056C23 MDSKS□□ 056-23 190 |
| 297 | 34 | 2.2 | 113.082 | 497 | 9322 | 576 | 9323 | 702 | 34 | 1.59E-04 | GKS06 - 3S □□□ 056C23 MDSKS□□ 056-23 190 |
| 336 | 30 | 1.7 | 127.392 | 560 | 9322 | 649 | 9323 | 635 | 30 | 1.59E-04 | GKS06 - 3S □□□ 056C23 MDSKS□□ 056-23 190 |
| 377 | 27 | 1.7 | 142.941 | 629 | 9322 | 728 | 9323 | 702 | 27 | 1.52E-04 | GKS06 - 3S □□□ 056C23 MDSKS□□ 056-23 190 |
| 427 | 24 | 1.4 | 161.029 | 708 | 9322 | 820 | 9323 | 635 | 24 | 1.52E-04 | GKS06 - 3S □□□ 056C23 MDSKS□□ 056-23 190 |
| 504 | 20 | 1.3 | 190.080 | 836 | 9322 | 968 | 9323 | 702 | 20 | 1.63E-04 | GKS06 - 3S □□□ 056C23 MDSKS□□ 056-23 190 |
| 569 | 18 | 1.0 | 214.133 | 942 | 9322 | 953 | 9323 | 635 | 18 | 1.63E-04 | GKS06 - 3S □□□ 056C23 MDSKS□□ 056-23 190 |
| 613 | 16 | 1.1 | 230.688 | 1015 | 9322 | 1053 | 9323 | 702 | 16 | 1.57E-04 | GKS06 - 3S □□□ 056C23 MDSKS□□ 056-23 190 |
| 141 | 110 | 3.4 | 36.303 | 237 | 9323 | 309 | 9324 | 685 | 100 | 3.18E-04 | GKS06 - 3S □□□ 056C33 MDSKS□□ 056-33 200 |
| 227 | 69 | 2.5 | 57.882 | 378 | 9323 | 493 | 9324 | 695 | 69 | 2.58E-04 | GKS06 - 3S □□□ 056C33 MDSKS□□ 056-33 200 |
| 257 | 61 | 2.0 | 65.207 | 426 | 9323 | 555 | 9324 | 624 | 61 | 2.57E-04 | GKS06 - 3S □□□ 056C33 MDSKS□□ 056-33 200 |
| 284 | 56 | 2.0 | 72.000 | 471 | 9323 | 613 | 9324 | 702 | 56 | 2.42E-04 | GKS06 - 3S □□□ 056C33 MDSKS□□ 056-33 200 |
| 322 | 49 | 1.6 | 81.111 | 530 | 9323 | 690 | 9324 | 630 | 49 | 2.42E-04 | GKS06 - 3S □□□ 056C33 MDSKS□□ 056-33 200 |
| 370 | 43 | 1.5 | 93.176 | 609 | 9323 | 793 | 9324 | 702 | 43 | 2.26E-04 | GKS06 - 3S □□□ 056C33 MDSKS□□ 056-33 200 |
| 418 | 38 | 1.2 | 104.967 | 686 | 9323 | 893 | 9324 | 635 | 38 | 2.25E-04 | GKS06 - 3S □□□ 056C33 MDSKS□□ 056-33 200 |
| 449 | 35 | 1.4 | 113.082 | 739 | 9323 | 962 | 9324 | 702 | 35 | 2.19E-04 | GKS06 - 3S □□□ 056C33 MDSKS□□ 056-33 200 |

Observe the notes for thermal dimensioning.

Selection tables - Helical-bevel gearboxes

Naturally ventilated synchronous geared servo motors



| M ₂ [Nm] | n ₂ trans [rpm] | c | i | M ₂ max short-time on geared motor at | | | | M ₂ Gr gearbox c=1 n ₁ ≤ 1400 rpm [Nm] | n ₂ therm [rpm] | J _{GM} referred to motor shaft [kgm ²] | Helical-bevel geared servo motor Dimensions on Page 6-88 |
|------------------------|-------------------------------|-----|---------|---|-------------|----------------------------|-------------|--|-------------------------------|---|---|
| | | | | 8 kHz | | 16 kHz | | | | | |
| | | | | M ₂ max [Nm] | Type EVS | M ₂ max [Nm] | Type EVS | | | | |
| 507 | 31 | 1.1 | 127.392 | 833 | 9323 | 953 | 9324 | 635 | 31 | 2.19E-04 | GKS06 - 3S □□□ 056C33 MDSKS□□ 056-33 200 |
| 570 | 28 | 1.1 | 142.941 | 934 | 9323 | 1053 | 9324 | 702 | 28 | 2.12E-04 | GKS06 - 3S □□□ 056C33 MDSKS□□ 056-33 200 |
| 60 | 299 | 4.1 | 11.382 | 87 | 9323 | 115 | 9324 | 331 | 290 | 8.49E-04 | GKS06 - 3S □□□ 071C03 MDSKS□□ 071-03 170 |
| 93 | 191 | 4.1 | 17.809 | 136 | 9323 | 179 | 9324 | 518 | 185 | 8.13E-04 | GKS06 - 3S □□□ 071C03 MDSKS□□ 071-03 170 |
| 137 | 131 | 3.7 | 26.017 | 198 | 9323 | 262 | 9324 | 679 | 124 | 7.94E-04 | GKS06 - 3S □□□ 071C03 MDSKS□□ 071-03 170 |
| 150 | 119 | 3.4 | 28.461 | 217 | 9323 | 286 | 9324 | 682 | 115 | 7.67E-04 | GKS06 - 3S □□□ 071C03 MDSKS□□ 071-03 170 |
| 171 | 106 | 2.7 | 32.063 | 244 | 9323 | 323 | 9324 | 610 | 98 | 7.63E-04 | GKS06 - 3S □□□ 071C03 MDSKS□□ 071-03 170 |
| 193 | 94 | 2.7 | 36.303 | 276 | 9323 | 365 | 9324 | 685 | 94 | 7.18E-04 | GKS06 - 3S □□□ 071C03 MDSKS□□ 071-03 170 |
| 237 | 76 | 2.5 | 44.471 | 338 | 9323 | 447 | 9324 | 689 | 76 | 6.90E-04 | GKS06 - 3S □□□ 071C03 MDSKS□□ 071-03 170 |
| 284 | 64 | 2.1 | 53.074 | 404 | 9323 | 534 | 9324 | 695 | 54 | 7.52E-04 | GKS06 - 3S □□□ 071C03 MDSKS□□ 071-03 170 |
| 310 | 59 | 1.9 | 57.882 | 440 | 9323 | 582 | 9324 | 695 | 59 | 6.58E-04 | GKS06 - 3S □□□ 071C03 MDSKS□□ 071-03 170 |
| 351 | 52 | 1.5 | 65.207 | 496 | 9323 | 656 | 9324 | 624 | 52 | 6.57E-04 | GKS06 - 3S □□□ 071C03 MDSKS□□ 071-03 170 |
| 388 | 47 | 1.6 | 72.000 | 548 | 9323 | 724 | 9324 | 702 | 47 | 6.42E-04 | GKS06 - 3S □□□ 071C03 MDSKS□□ 071-03 170 |
| 438 | 42 | 1.2 | 81.111 | 617 | 9323 | 816 | 9324 | 630 | 42 | 6.42E-04 | GKS06 - 3S □□□ 071C03 MDSKS□□ 071-03 170 |
| 503 | 36 | 1.2 | 93.176 | 709 | 9323 | 937 | 9324 | 702 | 36 | 6.26E-04 | GKS06 - 3S □□□ 071C03 MDSKS□□ 071-03 170 |
| 612 | 30 | 1.1 | 113.082 | 860 | 9323 | 1053 | 9324 | 702 | 30 | 6.19E-04 | GKS06 - 3S □□□ 071C03 MDSKS□□ 071-03 170 |
| 88 | 325 | 2.7 | 11.382 | 135 | 9324 | 186 | 9325 | 331 | 267 | 1.05E-03 | GKS06 - 3S □□□ 071C13 MDSKS□□ 071-13 185 |
| 138 | 208 | 2.7 | 17.809 | 211 | 9324 | 291 | 9325 | 518 | 171 | 1.01E-03 | GKS06 - 3S □□□ 071C13 MDSKS□□ 071-13 185 |
| 202 | 142 | 2.5 | 26.017 | 308 | 9324 | 424 | 9325 | 679 | 114 | 9.94E-04 | GKS06 - 3S □□□ 071C13 MDSKS□□ 071-13 185 |
| 221 | 130 | 2.3 | 28.461 | 337 | 9324 | 464 | 9325 | 682 | 106 | 9.67E-04 | GKS06 - 3S □□□ 071C13 MDSKS□□ 071-13 185 |
| 251 | 115 | 1.8 | 32.063 | 379 | 9324 | 523 | 9325 | 610 | 87 | 9.63E-04 | GKS06 - 3S □□□ 071C13 MDSKS□□ 071-13 185 |
| 284 | 102 | 1.8 | 36.303 | 429 | 9324 | 592 | 9325 | 685 | 86 | 9.18E-04 | GKS06 - 3S □□□ 071C13 MDSKS□□ 071-13 185 |
| 348 | 83 | 1.7 | 44.471 | 526 | 9324 | 725 | 9325 | 689 | 79 | 8.90E-04 | GKS06 - 3S □□□ 071C13 MDSKS□□ 071-13 185 |
| 417 | 70 | 1.4 | 53.074 | 628 | 9324 | 866 | 9325 | 695 | 44 | 9.52E-04 | GKS06 - 3S □□□ 071C13 MDSKS□□ 071-13 185 |
| 455 | 64 | 1.3 | 57.882 | 685 | 9324 | 944 | 9325 | 695 | 63 | 8.58E-04 | GKS06 - 3S □□□ 071C13 MDSKS□□ 071-13 185 |
| 514 | 57 | 1.0 | 65.207 | 771 | 9324 | 936 | 9325 | 624 | 52 | 8.57E-04 | GKS06 - 3S □□□ 071C13 MDSKS□□ 071-13 185 |
| 567 | 51 | 1.0 | 72.000 | 852 | 9324 | 1053 | 9325 | 702 | 51 | 8.42E-04 | GKS06 - 3S □□□ 071C13 MDSKS□□ 071-13 185 |
| 132 | 316 | 1.9 | 11.382 | 259 | 9325 | 194 | 9325 | 331 | 240 | 1.25E-03 | GKS06 - 3S □□□ 071C33 MDSKS□□ 071-33 180 |
| 206 | 202 | 1.9 | 17.809 | 406 | 9325 | 304 | 9325 | 518 | 154 | 1.21E-03 | GKS06 - 3S □□□ 071C33 MDSKS□□ 071-33 180 |
| 302 | 138 | 1.7 | 26.017 | 593 | 9325 | 444 | 9325 | 679 | 99 | 1.19E-03 | GKS06 - 3S □□□ 071C33 MDSKS□□ 071-33 180 |
| 331 | 126 | 1.5 | 28.461 | 649 | 9325 | 486 | 9325 | 682 | 90 | 1.17E-03 | GKS06 - 3S □□□ 071C33 MDSKS□□ 071-33 180 |
| 374 | 112 | 1.2 | 32.063 | 731 | 9325 | 547 | 9325 | 610 | 71 | 1.16E-03 | GKS06 - 3S □□□ 071C33 MDSKS□□ 071-33 180 |
| 423 | 99 | 1.2 | 36.303 | 827 | 9325 | 619 | 9325 | 685 | 72 | 1.12E-03 | GKS06 - 3S □□□ 071C33 MDSKS□□ 071-33 180 |
| 519 | 81 | 1.1 | 44.471 | 1013 | 9325 | 759 | 9325 | 689 | 66 | 1.09E-03 | GKS06 - 3S □□□ 071C33 MDSKS□□ 071-33 180 |

Observe the notes for thermal dimensioning.

Selection tables - Helical-bevel gearboxes

Naturally ventilated synchronous geared servo motors

| M ₂ [Nm] | n ₂ trans [rpm] | c | i | M ₂ max short-time on geared motor at | | | | M ₂ Gr gearbox c=1 n ₁ ≤ 1400 rpm [Nm] | n ₂ therm [rpm] | J _{GM} referred to motor shaft [kgm ²] | Helical-bevel geared servo motor Dimensions on Page 6-88 |
|------------------------|-------------------------------|-----|---------|---|-------------|----------------------------|-------------|--|-------------------------------|---|---|
| | | | | 8 kHz | | 16 kHz | | | | | |
| | | | | M ₂ max [Nm] | Type EVS | M ₂ max [Nm] | Type EVS | | | | |
| 268 | 37 | 2.1 | 103.721 | 448 | 9322 | 519 | 9323 | 685 | 37 | 1.70E-04 | GKS06 - 4S □□□ 056C23 MDSKS□□ 056-23 190 |
| 294 | 34 | 1.7 | 113.205 | 489 | 9322 | 567 | 9323 | 537 | 34 | 1.63E-04 | GKS06 - 4S □□□ 056C23 MDSKS□□ 056-23 190 |
| 329 | 30 | 1.9 | 127.059 | 549 | 9322 | 636 | 9323 | 689 | 30 | 1.66E-04 | GKS06 - 4S □□□ 056C23 MDSKS□□ 056-23 190 |
| 367 | 27 | 1.3 | 140.816 | 609 | 9322 | 705 | 9323 | 537 | 27 | 1.61E-04 | GKS06 - 4S □□□ 056C23 MDSKS□□ 056-23 190 |
| 404 | 24 | 1.6 | 155.647 | 673 | 9322 | 779 | 9323 | 689 | 24 | 1.59E-04 | GKS06 - 4S □□□ 056C23 MDSKS□□ 056-23 190 |
| 455 | 22 | 1.1 | 174.336 | 754 | 9322 | 806 | 9323 | 537 | 22 | 1.51E-04 | GKS06 - 4S □□□ 056C23 MDSKS□□ 056-23 190 |
| 528 | 19 | 1.2 | 202.588 | 876 | 9322 | 1014 | 9323 | 695 | 19 | 1.57E-04 | GKS06 - 4S □□□ 056C23 MDSKS□□ 056-23 190 |
| 405 | 39 | 1.4 | 103.721 | 666 | 9323 | 868 | 9324 | 685 | 39 | 2.30E-04 | GKS06 - 4S □□□ 056C33 MDSKS□□ 056-33 200 |
| 443 | 35 | 1.1 | 113.205 | 727 | 9323 | 806 | 9324 | 537 | 35 | 2.23E-04 | GKS06 - 4S □□□ 056C33 MDSKS□□ 056-33 200 |
| 497 | 31 | 1.3 | 127.059 | 816 | 9323 | 1034 | 9324 | 689 | 31 | 2.26E-04 | GKS06 - 4S □□□ 056C33 MDSKS□□ 056-33 200 |
| 610 | 26 | 1.0 | 155.647 | 1000 | 9323 | 1034 | 9324 | 689 | 26 | 2.19E-04 | GKS06 - 4S □□□ 056C33 MDSKS□□ 056-33 200 |
| 552 | 33 | 1.1 | 103.721 | 776 | 9323 | 1026 | 9324 | 685 | 33 | 6.30E-04 | GKS06 - 4S □□□ 071C03 MDSKS□□ 071-03 170 |
| 237 | 41 | 4.4 | 92.563 | 407 | 9322 | 471 | 9323 | 1296 | 41 | 2.21E-04 | GKS07 - 3S □□□ 056C23 MDSKS□□ 056-23 190 |
| 270 | 36 | 3.7 | 104.296 | 459 | 9322 | 531 | 9323 | 1215 | 36 | 2.20E-04 | GKS07 - 3S □□□ 056C23 MDSKS□□ 056-23 190 |
| 289 | 34 | 4.1 | 112.338 | 494 | 9322 | 572 | 9323 | 1330 | 34 | 1.99E-04 | GKS07 - 3S □□□ 056C23 MDSKS□□ 056-23 190 |
| 328 | 30 | 3.3 | 126.578 | 557 | 9322 | 644 | 9323 | 1215 | 30 | 1.99E-04 | GKS07 - 3S □□□ 056C23 MDSKS□□ 056-23 190 |
| 483 | 21 | 2.5 | 184.600 | 812 | 9322 | 940 | 9323 | 1330 | 21 | 2.09E-04 | GKS07 - 3S □□□ 056C23 MDSKS□□ 056-23 190 |
| 547 | 18 | 2.0 | 208.000 | 915 | 9322 | 1059 | 9323 | 1215 | 18 | 2.09E-04 | GKS07 - 3S □□□ 056C23 MDSKS□□ 056-23 190 |
| 589 | 17 | 2.1 | 224.037 | 985 | 9322 | 1141 | 9323 | 1330 | 17 | 1.91E-04 | GKS07 - 3S □□□ 056C23 MDSKS□□ 056-23 190 |
| 667 | 15 | 1.7 | 252.436 | 1110 | 9322 | 1285 | 9323 | 1215 | 15 | 1.91E-04 | GKS07 - 3S □□□ 056C23 MDSKS□□ 056-23 190 |
| 748 | 13 | 1.6 | 283.193 | 1245 | 9322 | 1442 | 9323 | 1330 | 13 | 1.73E-04 | GKS07 - 3S □□□ 056C23 MDSKS□□ 056-23 190 |
| 846 | 12 | 1.3 | 319.091 | 1403 | 9322 | 1625 | 9323 | 1215 | 12 | 1.73E-04 | GKS07 - 3S □□□ 056C23 MDSKS□□ 056-23 190 |
| 362 | 43 | 2.9 | 92.563 | 605 | 9323 | 788 | 9324 | 1296 | 43 | 2.81E-04 | GKS07 - 3S □□□ 056C33 MDSKS□□ 056-33 200 |
| 410 | 38 | 2.4 | 104.296 | 682 | 9323 | 888 | 9324 | 1215 | 38 | 2.80E-04 | GKS07 - 3S □□□ 056C33 MDSKS□□ 056-33 200 |
| 440 | 36 | 2.7 | 112.338 | 734 | 9323 | 956 | 9324 | 1330 | 36 | 2.59E-04 | GKS07 - 3S □□□ 056C33 MDSKS□□ 056-33 200 |
| 499 | 32 | 2.2 | 126.578 | 827 | 9323 | 1077 | 9324 | 1215 | 32 | 2.59E-04 | GKS07 - 3S □□□ 056C33 MDSKS□□ 056-33 200 |
| 731 | 22 | 1.6 | 184.600 | 1206 | 9323 | 1571 | 9324 | 1330 | 22 | 2.69E-04 | GKS07 - 3S □□□ 056C33 MDSKS□□ 056-33 200 |
| 827 | 19 | 1.3 | 208.000 | 1359 | 9323 | 1770 | 9324 | 1215 | 19 | 2.69E-04 | GKS07 - 3S □□□ 056C33 MDSKS□□ 056-33 200 |
| 890 | 18 | 1.4 | 224.037 | 1464 | 9323 | 1907 | 9324 | 1330 | 18 | 2.51E-04 | GKS07 - 3S □□□ 056C33 MDSKS□□ 056-33 200 |
| 1006 | 16 | 1.1 | 252.436 | 1650 | 9323 | 1823 | 9324 | 1215 | 16 | 2.51E-04 | GKS07 - 3S □□□ 056C33 MDSKS□□ 056-33 200 |
| 1129 | 14 | 1.1 | 283.193 | 1851 | 9323 | 1995 | 9324 | 1330 | 14 | 2.33E-04 | GKS07 - 3S □□□ 056C33 MDSKS□□ 056-33 200 |
| 187 | 94 | 5.0 | 36.063 | 274 | 9323 | 363 | 9324 | 1290 | 94 | 9.65E-04 | GKS07 - 3S □□□ 071C03 MDSKS□□ 071-03 170 |
| 303 | 59 | 3.6 | 57.501 | 438 | 9323 | 578 | 9324 | 1310 | 59 | 7.75E-04 | GKS07 - 3S □□□ 071C03 MDSKS□□ 071-03 170 |
| 344 | 52 | 2.9 | 64.790 | 493 | 9323 | 652 | 9324 | 1195 | 52 | 7.73E-04 | GKS07 - 3S □□□ 071C03 MDSKS□□ 071-03 170 |

Observe the notes for thermal dimensioning.

Selection tables - Helical-bevel gearboxes

Naturally ventilated synchronous geared servo motors



| M ₂ [Nm] | n _{2 trans} [rpm] | c | i | M _{2 max} short-time on geared motor at | | | | M _{2 Gr} gearbox c=1 n ₁ ≤ 1400 rpm [Nm] | n _{2 therm} [rpm] | J _{GM} referred to motor shaft [kgm ²] | Helical-bevel geared servo motor Dimensions on Page 6-88 |
|------------------------|-------------------------------|------------|----------------|---|-------------|----------------------------|-------------|--|-------------------------------|---|---|
| | | | | 8 kHz | | 16 kHz | | | | | |
| | | | | M _{2 max} [Nm] | Type EVS | M _{2 max} [Nm] | Type EVS | | | | |
| 374 | 48 | 3.0 | 70.474 | 536 | 9323 | 709 | 9324 | 1320 | 48 | 7.29E-04 | GKS07 - 3S □□□ 071C03 MDSKS□□ 071-03 170 |
| 423 | 43 | 2.4 | 79.407 | 604 | 9323 | 799 | 9324 | 1205 | 43 | 7.28E-04 | GKS07 - 3S □□□ 071C03 MDSKS□□ 071-03 170 |
| 494 | 37 | 2.3 | 92.563 | 704 | 9323 | 931 | 9324 | 1330 | 37 | 6.81E-04 | GKS07 - 3S □□□ 071C03 MDSKS□□ 071-03 170 |
| 560 | 33 | 1.9 | 104.296 | 794 | 9323 | 1049 | 9324 | 1215 | 33 | 6.80E-04 | GKS07 - 3S □□□ 071C03 MDSKS□□ 071-03 170 |
| 601 | 30 | 2.1 | 112.338 | 855 | 9323 | 1130 | 9324 | 1330 | 30 | 6.59E-04 | GKS07 - 3S □□□ 071C03 MDSKS□□ 071-03 170 |
| 680 | 27 | 1.7 | 126.578 | 963 | 9323 | 1273 | 9324 | 1215 | 27 | 6.59E-04 | GKS07 - 3S □□□ 071C03 MDSKS□□ 071-03 170 |
| 756 | 24 | 1.7 | 140.548 | 1069 | 9323 | 1414 | 9324 | 1330 | 24 | 7.11E-04 | GKS07 - 3S □□□ 071C03 MDSKS□□ 071-03 170 |
| 854 | 21 | 1.4 | 158.364 | 1205 | 9323 | 1593 | 9324 | 1215 | 21 | 7.11E-04 | GKS07 - 3S □□□ 071C03 MDSKS□□ 071-03 170 |
| 997 | 18 | 1.3 | 184.600 | 1405 | 9323 | 1857 | 9324 | 1330 | 18 | 6.69E-04 | GKS07 - 3S □□□ 071C03 MDSKS□□ 071-03 170 |
| 1126 | 16 | 1.0 | 208.000 | 1583 | 9323 | 1823 | 9324 | 1215 | 16 | 6.69E-04 | GKS07 - 3S □□□ 071C03 MDSKS□□ 071-03 170 |
| 1212 | 15 | 1.1 | 224.037 | 1705 | 9323 | 1995 | 9324 | 1330 | 15 | 6.51E-04 | GKS07 - 3S □□□ 071C03 MDSKS□□ 071-03 170 |
| 277 | 103 | 3.4 | 36.063 | 427 | 9324 | 588 | 9325 | 1290 | 89 | 1.16E-03 | GKS07 - 3S □□□ 071C13 MDSKS□□ 071-13 185 |
| 447 | 64 | 2.4 | 57.501 | 680 | 9324 | 938 | 9325 | 1310 | 64 | 9.75E-04 | GKS07 - 3S □□□ 071C13 MDSKS□□ 071-13 185 |
| 506 | 57 | 2.0 | 64.790 | 766 | 9324 | 1057 | 9325 | 1195 | 57 | 9.73E-04 | GKS07 - 3S □□□ 071C13 MDSKS□□ 071-13 185 |
| 550 | 53 | 2.0 | 70.474 | 833 | 9324 | 1149 | 9325 | 1320 | 53 | 9.29E-04 | GKS07 - 3S □□□ 071C13 MDSKS□□ 071-13 185 |
| 622 | 47 | 1.6 | 79.407 | 939 | 9324 | 1295 | 9325 | 1205 | 47 | 9.28E-04 | GKS07 - 3S □□□ 071C13 MDSKS□□ 071-13 185 |
| 726 | 40 | 1.5 | 92.563 | 1095 | 9324 | 1510 | 9325 | 1330 | 40 | 8.81E-04 | GKS07 - 3S □□□ 071C13 MDSKS□□ 071-13 185 |
| 820 | 35 | 1.2 | 104.296 | 1233 | 9324 | 1701 | 9325 | 1215 | 35 | 8.80E-04 | GKS07 - 3S □□□ 071C13 MDSKS□□ 071-13 185 |
| 882 | 33 | 1.4 | 112.338 | 1329 | 9324 | 1832 | 9325 | 1330 | 33 | 8.59E-04 | GKS07 - 3S □□□ 071C13 MDSKS□□ 071-13 185 |
| 996 | 29 | 1.1 | 126.578 | 1497 | 9324 | 1823 | 9325 | 1215 | 29 | 8.59E-04 | GKS07 - 3S □□□ 071C13 MDSKS□□ 071-13 185 |
| 1107 | 26 | 1.1 | 140.548 | 1662 | 9324 | 1995 | 9325 | 1330 | 24 | 9.11E-04 | GKS07 - 3S □□□ 071C13 MDSKS□□ 071-13 185 |
| 416 | 100 | 2.3 | 36.063 | 822 | 9325 | 615 | 9325 | 1290 | 82 | 1.36E-03 | GKS07 - 3S □□□ 071C33 MDSKS□□ 071-33 180 |
| 667 | 63 | 1.7 | 57.501 | 1310 | 9325 | 981 | 9325 | 1310 | 61 | 1.17E-03 | GKS07 - 3S □□□ 071C33 MDSKS□□ 071-33 180 |
| 754 | 56 | 1.3 | 64.790 | 1476 | 9325 | 1105 | 9325 | 1195 | 48 | 1.17E-03 | GKS07 - 3S □□□ 071C33 MDSKS□□ 071-33 180 |
| 820 | 51 | 1.4 | 70.474 | 1606 | 9325 | 1202 | 9325 | 1320 | 51 | 1.13E-03 | GKS07 - 3S □□□ 071C33 MDSKS□□ 071-33 180 |
| 927 | 45 | 1.1 | 79.407 | 1808 | 9325 | 1355 | 9325 | 1205 | 42 | 1.13E-03 | GKS07 - 3S □□□ 071C33 MDSKS□□ 071-33 180 |
| 1081 | 39 | 1.0 | 92.563 | 1995 | 9325 | 1579 | 9325 | 1330 | 39 | 1.08E-03 | GKS07 - 3S □□□ 071C33 MDSKS□□ 071-33 180 |
| 261 | 37 | 4.0 | 103.039 | 445 | 9322 | 516 | 9323 | 1290 | 37 | 2.24E-04 | GKS07 - 4S □□□ 056C23 MDSKS□□ 056-23 190 |
| 287 | 34 | 3.3 | 112.391 | 486 | 9322 | 563 | 9323 | 1053 | 34 | 2.03E-04 | GKS07 - 4S □□□ 056C23 MDSKS□□ 056-23 190 |
| 321 | 30 | 3.6 | 126.222 | 546 | 9322 | 632 | 9323 | 1300 | 30 | 2.13E-04 | GKS07 - 4S □□□ 056C23 MDSKS□□ 056-23 190 |
| 354 | 28 | 2.7 | 137.748 | 596 | 9322 | 689 | 9323 | 1053 | 28 | 1.97E-04 | GKS07 - 4S □□□ 056C23 MDSKS□□ 056-23 190 |
| 396 | 25 | 3.0 | 154.622 | 668 | 9322 | 774 | 9323 | 1300 | 25 | 1.93E-04 | GKS07 - 4S □□□ 056C23 MDSKS□□ 056-23 190 |
| 463 | 21 | 2.1 | 179.201 | 775 | 9322 | 897 | 9323 | 1053 | 21 | 1.68E-04 | GKS07 - 4S □□□ 056C23 MDSKS□□ 056-23 190 |
| 519 | 19 | 2.3 | 201.254 | 870 | 9322 | 1007 | 9323 | 1310 | 19 | 1.85E-04 | GKS07 - 4S □□□ 056C23 MDSKS□□ 056-23 190 |

Observe the notes for thermal dimensioning.

Selection tables - Helical-bevel gearboxes

Naturally ventilated synchronous geared servo motors

| M ₂ [Nm] | n ₂ trans [rpm] | c | i | M ₂ max short-time on geared motor at | | | | M ₂ Gr gearbox c=1 n ₁ ≤ 1400 rpm [Nm] | n ₂ therm [rpm] | J _{GM} referred to motor shaft [kgm ²] | Helical-bevel geared servo motor Dimensions on Page 6-88 |
|------------------------|-------------------------------|-----|---------|---|-------------|----------------------------|-------------|--|-------------------------------|---|---|
| | | | | 8 kHz | | 16 kHz | | | | | |
| | | | | M ₂ max [Nm] | Type EVS | M ₂ max [Nm] | Type EVS | | | | |
| 579 | 17 | 1.7 | 222.909 | 964 | 9322 | 1116 | 9323 | 1053 | 17 | 1.60E-04 | GKS07 - 4S □□□ 056C23 MDSKS□□ 056-23 190 |
| 639 | 15 | 1.9 | 246.659 | 1066 | 9322 | 1235 | 9323 | 1320 | 15 | 1.82E-04 | GKS07 - 4S □□□ 056C23 MDSKS□□ 056-23 190 |
| 711 | 14 | 1.4 | 273.199 | 1181 | 9322 | 1367 | 9323 | 1053 | 14 | 1.58E-04 | GKS07 - 4S □□□ 056C23 MDSKS□□ 056-23 190 |
| 835 | 12 | 1.5 | 321.049 | 1388 | 9322 | 1607 | 9323 | 1320 | 12 | 1.66E-04 | GKS07 - 4S □□□ 056C23 MDSKS□□ 056-23 190 |
| 938 | 11 | 1.0 | 358.829 | 1551 | 9322 | 1580 | 9323 | 1053 | 11 | 1.57E-04 | GKS07 - 4S □□□ 056C23 MDSKS□□ 056-23 190 |
| 1042 | 9.5 | 1.2 | 399.353 | 1726 | 9322 | 1980 | 9323 | 1320 | 9.5 | 1.58E-04 | GKS07 - 4S □□□ 056C23 MDSKS□□ 056-23 190 |
| 397 | 39 | 2.6 | 103.039 | 662 | 9323 | 862 | 9324 | 1290 | 39 | 2.84E-04 | GKS07 - 4S □□□ 056C33 MDSKS□□ 056-33 200 |
| 435 | 36 | 2.2 | 112.391 | 722 | 9323 | 940 | 9324 | 1053 | 36 | 2.63E-04 | GKS07 - 4S □□□ 056C33 MDSKS□□ 056-33 200 |
| 488 | 32 | 2.4 | 126.222 | 811 | 9323 | 1056 | 9324 | 1300 | 32 | 2.73E-04 | GKS07 - 4S □□□ 056C33 MDSKS□□ 056-33 200 |
| 536 | 29 | 1.8 | 137.748 | 885 | 9323 | 1152 | 9324 | 1053 | 29 | 2.57E-04 | GKS07 - 4S □□□ 056C33 MDSKS□□ 056-33 200 |
| 600 | 26 | 1.9 | 154.622 | 993 | 9323 | 1294 | 9324 | 1300 | 26 | 2.53E-04 | GKS07 - 4S □□□ 056C33 MDSKS□□ 056-33 200 |
| 700 | 22 | 1.4 | 179.201 | 1151 | 9323 | 1499 | 9324 | 1053 | 22 | 2.28E-04 | GKS07 - 4S □□□ 056C33 MDSKS□□ 056-33 200 |
| 785 | 20 | 1.5 | 201.254 | 1293 | 9323 | 1684 | 9324 | 1310 | 20 | 2.45E-04 | GKS07 - 4S □□□ 056C33 MDSKS□□ 056-33 200 |
| 873 | 18 | 1.1 | 222.909 | 1432 | 9323 | 1580 | 9324 | 1053 | 18 | 2.20E-04 | GKS07 - 4S □□□ 056C33 MDSKS□□ 056-33 200 |
| 965 | 16 | 1.2 | 246.659 | 1585 | 9323 | 1980 | 9324 | 1320 | 16 | 2.42E-04 | GKS07 - 4S □□□ 056C33 MDSKS□□ 056-33 200 |
| 542 | 33 | 2.0 | 103.039 | 771 | 9323 | 1019 | 9324 | 1290 | 33 | 6.84E-04 | GKS07 - 4S □□□ 071C03 MDSKS□□ 071-03 170 |
| 594 | 30 | 1.7 | 112.391 | 841 | 9323 | 1111 | 9324 | 1053 | 30 | 6.63E-04 | GKS07 - 4S □□□ 071C03 MDSKS□□ 071-03 170 |
| 666 | 27 | 1.9 | 126.222 | 944 | 9323 | 1248 | 9324 | 1300 | 27 | 6.73E-04 | GKS07 - 4S □□□ 071C03 MDSKS□□ 071-03 170 |
| 730 | 25 | 1.4 | 137.748 | 1030 | 9323 | 1362 | 9324 | 1053 | 25 | 6.57E-04 | GKS07 - 4S □□□ 071C03 MDSKS□□ 071-03 170 |
| 818 | 22 | 1.5 | 154.622 | 1156 | 9323 | 1529 | 9324 | 1300 | 22 | 6.53E-04 | GKS07 - 4S □□□ 071C03 MDSKS□□ 071-03 170 |
| 953 | 19 | 1.1 | 179.201 | 1340 | 9323 | 1580 | 9324 | 1053 | 19 | 6.28E-04 | GKS07 - 4S □□□ 071C03 MDSKS□□ 071-03 170 |
| 1069 | 17 | 1.2 | 201.254 | 1505 | 9323 | 1965 | 9324 | 1310 | 17 | 6.45E-04 | GKS07 - 4S □□□ 071C03 MDSKS□□ 071-03 170 |
| 795 | 36 | 1.4 | 103.039 | 1198 | 9324 | 1652 | 9325 | 1290 | 36 | 8.84E-04 | GKS07 - 4S □□□ 071C13 MDSKS□□ 071-13 185 |
| 870 | 33 | 1.1 | 112.391 | 1307 | 9324 | 1580 | 9325 | 1053 | 33 | 8.63E-04 | GKS07 - 4S □□□ 071C13 MDSKS□□ 071-13 185 |
| 976 | 29 | 1.2 | 126.222 | 1467 | 9324 | 1950 | 9325 | 1300 | 29 | 8.73E-04 | GKS07 - 4S □□□ 071C13 MDSKS□□ 071-13 185 |
| 1198 | 24 | 1.0 | 154.622 | 1797 | 9324 | 1950 | 9325 | 1300 | 24 | 8.53E-04 | GKS07 - 4S □□□ 071C13 MDSKS□□ 071-13 185 |
| 824 | 12 | 3.3 | 323.365 | 1398 | 9322 | 1618 | 9323 | 3031 | 12 | 2.11E-04 | GKS09 - 4S □□□ 056C23 MDSKS□□ 056-23 190 |
| 933 | 10 | 3.0 | 364.427 | 1576 | 9322 | 1824 | 9323 | 3071 | 10 | 2.11E-04 | GKS09 - 4S □□□ 056C23 MDSKS□□ 056-23 190 |
| 1033 | 9.5 | 2.7 | 402.234 | 1739 | 9322 | 2013 | 9323 | 3031 | 9.5 | 1.91E-04 | GKS09 - 4S □□□ 056C23 MDSKS□□ 056-23 190 |
| 1167 | 8.4 | 2.4 | 453.311 | 1960 | 9322 | 2269 | 9323 | 3071 | 8.4 | 1.91E-04 | GKS09 - 4S □□□ 056C23 MDSKS□□ 056-23 190 |
| 1345 | 7.3 | 2.1 | 520.538 | 2250 | 9322 | 2605 | 9323 | 3031 | 7.3 | 1.87E-04 | GKS09 - 4S □□□ 056C23 MDSKS□□ 056-23 190 |
| 1520 | 6.5 | 1.9 | 586.638 | 2536 | 9322 | 2936 | 9323 | 3080 | 6.5 | 1.86E-04 | GKS09 - 4S □□□ 056C23 MDSKS□□ 056-23 190 |
| 1639 | 6.0 | 1.7 | 631.744 | 2731 | 9322 | 3162 | 9323 | 3031 | 6.0 | 1.84E-04 | GKS09 - 4S □□□ 056C23 MDSKS□□ 056-23 190 |
| 1851 | 5.3 | 1.5 | 711.965 | 3078 | 9322 | 3563 | 9323 | 3080 | 5.3 | 1.84E-04 | GKS09 - 4S □□□ 056C23 MDSKS□□ 056-23 190 |

Observe the notes for thermal dimensioning.

Selection tables - Helical-bevel gearboxes

Naturally ventilated synchronous geared servo motors



| M ₂ [Nm] | n _{2 trans} [rpm] | c | i | M _{2 max} short-time on geared motor at | | | | M _{2 Gr} gearbox c=1 n ₁ ≤ 1400 rpm [Nm] | n _{2 therm} [rpm] | J _{GM} referred to motor shaft [kgm ²] | Helical-bevel geared servo motor Dimensions on Page 6-88 |
|------------------------|-------------------------------|-----|---------|---|-------------|----------------------------|-------------|--|-------------------------------|---|---|
| | | | | 8 kHz | | 16 kHz | | | | | |
| | | | | M _{2 max} [Nm] | Type EVS | M _{2 max} [Nm] | Type EVS | | | | |
| 2130 | 4.7 | 1.3 | 817.551 | 3534 | 9322 | 4092 | 9323 | 3031 | 4.7 | 1.68E-04 | GKS09 - 4S □□□ 056C23 MDSKS□□ 056-23 190 |
| 2404 | 4.1 | 1.2 | 921.367 | 3983 | 9322 | 4611 | 9323 | 3080 | 4.1 | 1.68E-04 | GKS09 - 4S □□□ 056C23 MDSKS□□ 056-23 190 |
| 2592 | 3.8 | 1.1 | 992.209 | 4289 | 9322 | 4547 | 9323 | 3031 | 3.8 | 1.60E-04 | GKS09 - 4S □□□ 056C23 MDSKS□□ 056-23 190 |
| 381 | 40 | 4.1 | 100.551 | 646 | 9323 | 841 | 9324 | 1973 | 40 | 4.48E-04 | GKS09 - 4S □□□ 056C33 MDSKS□□ 056-33 200 |
| 428 | 35 | 4.5 | 113.320 | 728 | 9323 | 948 | 9324 | 2224 | 35 | 4.46E-04 | GKS09 - 4S □□□ 056C33 MDSKS□□ 056-33 200 |
| 465 | 32 | 4.5 | 123.275 | 792 | 9323 | 1031 | 9324 | 2419 | 32 | 4.11E-04 | GKS09 - 4S □□□ 056C33 MDSKS□□ 056-33 200 |
| 524 | 29 | 4.5 | 138.929 | 893 | 9323 | 1162 | 9324 | 2726 | 29 | 4.09E-04 | GKS09 - 4S □□□ 056C33 MDSKS□□ 056-33 200 |
| 1252 | 12 | 2.2 | 323.365 | 2077 | 9323 | 2705 | 9324 | 3031 | 12 | 2.71E-04 | GKS09 - 4S □□□ 056C33 MDSKS□□ 056-33 200 |
| 1415 | 11 | 2.0 | 364.427 | 2341 | 9323 | 3049 | 9324 | 3071 | 11 | 2.71E-04 | GKS09 - 4S □□□ 056C33 MDSKS□□ 056-33 200 |
| 1565 | 9.9 | 1.7 | 402.234 | 2584 | 9323 | 3365 | 9324 | 3031 | 9.9 | 2.51E-04 | GKS09 - 4S □□□ 056C33 MDSKS□□ 056-33 200 |
| 1767 | 8.8 | 1.6 | 453.311 | 2912 | 9323 | 3792 | 9324 | 3071 | 8.8 | 2.51E-04 | GKS09 - 4S □□□ 056C33 MDSKS□□ 056-33 200 |
| 2034 | 7.7 | 1.3 | 520.538 | 3344 | 9323 | 4355 | 9324 | 3031 | 7.7 | 2.47E-04 | GKS09 - 4S □□□ 056C33 MDSKS□□ 056-33 200 |
| 2295 | 6.8 | 1.2 | 586.638 | 3769 | 9323 | 4620 | 9324 | 3080 | 6.8 | 2.46E-04 | GKS09 - 4S □□□ 056C33 MDSKS□□ 056-33 200 |
| 2474 | 6.3 | 1.1 | 631.744 | 4058 | 9323 | 4547 | 9324 | 3031 | 6.3 | 2.44E-04 | GKS09 - 4S □□□ 056C33 MDSKS□□ 056-33 200 |
| 2792 | 5.6 | 1.0 | 711.965 | 4574 | 9323 | 4620 | 9324 | 3080 | 5.6 | 2.44E-04 | GKS09 - 4S □□□ 056C33 MDSKS□□ 056-33 200 |
| 513 | 34 | 4.9 | 100.551 | 752 | 9323 | 994 | 9324 | 3029 | 34 | 8.48E-04 | GKS09 - 4S □□□ 071C03 MDSKS□□ 071-03 170 |
| 579 | 30 | 4.8 | 113.320 | 848 | 9323 | 1121 | 9324 | 3002 | 30 | 8.46E-04 | GKS09 - 4S □□□ 071C03 MDSKS□□ 071-03 170 |
| 632 | 28 | 4.4 | 123.275 | 922 | 9323 | 1219 | 9324 | 3024 | 28 | 8.11E-04 | GKS09 - 4S □□□ 071C03 MDSKS□□ 071-03 170 |
| 716 | 24 | 3.9 | 138.929 | 1039 | 9323 | 1374 | 9324 | 3017 | 24 | 8.09E-04 | GKS09 - 4S □□□ 071C03 MDSKS□□ 071-03 170 |
| 781 | 23 | 3.6 | 151.012 | 1129 | 9323 | 1493 | 9324 | 3024 | 23 | 7.52E-04 | GKS09 - 4S □□□ 071C03 MDSKS□□ 071-03 170 |
| 884 | 20 | 3.2 | 170.188 | 1273 | 9323 | 1683 | 9324 | 3017 | 20 | 7.51E-04 | GKS09 - 4S □□□ 071C03 MDSKS□□ 071-03 170 |
| 1069 | 17 | 2.7 | 204.596 | 1530 | 9323 | 2023 | 9324 | 3031 | 17 | 7.24E-04 | GKS09 - 4S □□□ 071C03 MDSKS□□ 071-03 170 |
| 1209 | 15 | 2.4 | 230.577 | 1725 | 9323 | 2280 | 9324 | 3048 | 15 | 7.24E-04 | GKS09 - 4S □□□ 071C03 MDSKS□□ 071-03 170 |
| 1305 | 14 | 2.2 | 248.439 | 1858 | 9323 | 2457 | 9324 | 3031 | 14 | 7.13E-04 | GKS09 - 4S □□□ 071C03 MDSKS□□ 071-03 170 |
| 1475 | 12 | 2.0 | 279.986 | 2094 | 9323 | 2769 | 9324 | 3071 | 12 | 7.12E-04 | GKS09 - 4S □□□ 071C03 MDSKS□□ 071-03 170 |
| 1708 | 11 | 1.7 | 323.365 | 2419 | 9323 | 3197 | 9324 | 3031 | 11 | 6.71E-04 | GKS09 - 4S □□□ 071C03 MDSKS□□ 071-03 170 |
| 1929 | 9.3 | 1.5 | 364.427 | 2726 | 9323 | 3604 | 9324 | 3071 | 9.3 | 6.71E-04 | GKS09 - 4S □□□ 071C03 MDSKS□□ 071-03 170 |
| 2133 | 8.5 | 1.4 | 402.234 | 3008 | 9323 | 3977 | 9324 | 3031 | 8.5 | 6.51E-04 | GKS09 - 4S □□□ 071C03 MDSKS□□ 071-03 170 |
| 2407 | 7.5 | 1.2 | 453.311 | 3390 | 9323 | 4482 | 9324 | 3071 | 7.5 | 6.51E-04 | GKS09 - 4S □□□ 071C03 MDSKS□□ 071-03 170 |
| 2769 | 6.5 | 1.0 | 520.538 | 3893 | 9323 | 4547 | 9324 | 3031 | 6.5 | 6.47E-04 | GKS09 - 4S □□□ 071C03 MDSKS□□ 071-03 170 |
| 760 | 37 | 3.3 | 100.551 | 1169 | 9324 | 1612 | 9325 | 3029 | 37 | 1.05E-03 | GKS09 - 4S □□□ 071C13 MDSKS□□ 071-13 185 |
| 858 | 33 | 3.2 | 113.320 | 1317 | 9324 | 1817 | 9325 | 3002 | 33 | 1.05E-03 | GKS09 - 4S □□□ 071C13 MDSKS□□ 071-13 185 |
| 935 | 30 | 3.0 | 123.275 | 1433 | 9324 | 1976 | 9325 | 3024 | 30 | 1.01E-03 | GKS09 - 4S □□□ 071C13 MDSKS□□ 071-13 185 |
| 1058 | 27 | 2.6 | 138.929 | 1615 | 9324 | 2227 | 9325 | 3017 | 27 | 1.01E-03 | GKS09 - 4S □□□ 071C13 MDSKS□□ 071-13 185 |

Observe the notes for thermal dimensioning.

Selection tables - Helical-bevel gearboxes

Naturally ventilated synchronous geared servo motors

| M ₂ [Nm] | n _{2 trans} [rpm] | c | i | M _{2 max} short-time on geared motor at | | | | M _{2 Gr} gearbox c=1 n ₁ ≤1400 rpm [Nm] | n _{2 therm} [rpm] | J _{GM} referred to motor shaft [kgm ²] | Helical-bevel geared servo motor Dimensions on Page 6-88 |
|------------------------|-------------------------------|-----|----------|---|-------------|----------------------------|-------------|---|-------------------------------|---|---|
| | | | | 8 kHz | | 16 kHz | | | | | |
| | | | | M _{2 max} [Nm] | Type EVS | M _{2 max} [Nm] | Type EVS | | | | |
| 1153 | 25 | 2.4 | 151.012 | 1756 | 9324 | 2421 | 9325 | 3024 | 25 | 9.52E-04 | GKS09 - 4S □□□ 071C13 MDSKS□□ 071-13 185 |
| 1303 | 22 | 2.1 | 170.188 | 1978 | 9324 | 2728 | 9325 | 3017 | 22 | 9.51E-04 | GKS09 - 4S □□□ 071C13 MDSKS□□ 071-13 185 |
| 1572 | 18 | 1.8 | 204.596 | 2378 | 9324 | 3280 | 9325 | 3031 | 18 | 9.24E-04 | GKS09 - 4S □□□ 071C13 MDSKS□□ 071-13 185 |
| 1776 | 16 | 1.6 | 230.577 | 2680 | 9324 | 3697 | 9325 | 3048 | 16 | 9.24E-04 | GKS09 - 4S □□□ 071C13 MDSKS□□ 071-13 185 |
| 1916 | 15 | 1.5 | 248.439 | 2888 | 9324 | 3983 | 9325 | 3031 | 15 | 9.13E-04 | GKS09 - 4S □□□ 071C13 MDSKS□□ 071-13 185 |
| 2162 | 13 | 1.3 | 279.986 | 3255 | 9324 | 4489 | 9325 | 3071 | 13 | 9.12E-04 | GKS09 - 4S □□□ 071C13 MDSKS□□ 071-13 185 |
| 2503 | 11 | 1.1 | 323.365 | 3759 | 9324 | 4547 | 9325 | 3031 | 11 | 8.71E-04 | GKS09 - 4S □□□ 071C13 MDSKS□□ 071-13 185 |
| 2824 | 10 | 1.0 | 364.427 | 4236 | 9324 | 4607 | 9325 | 3071 | 10 | 8.71E-04 | GKS09 - 4S □□□ 071C13 MDSKS□□ 071-13 185 |
| 1140 | 36 | 2.2 | 100.551 | 2252 | 9325 | 1686 | 9325 | 3029 | 36 | 1.25E-03 | GKS09 - 4S □□□ 071C33 MDSKS□□ 071-33 180 |
| 1285 | 32 | 2.2 | 113.320 | 2538 | 9325 | 1900 | 9325 | 3002 | 32 | 1.25E-03 | GKS09 - 4S □□□ 071C33 MDSKS□□ 071-33 180 |
| 1400 | 29 | 2.0 | 123.275 | 2761 | 9325 | 2067 | 9325 | 3024 | 29 | 1.21E-03 | GKS09 - 4S □□□ 071C33 MDSKS□□ 071-33 180 |
| 1582 | 26 | 1.8 | 138.929 | 3112 | 9325 | 2330 | 9325 | 3017 | 26 | 1.21E-03 | GKS09 - 4S □□□ 071C33 MDSKS□□ 071-33 180 |
| 1722 | 24 | 1.6 | 151.012 | 3383 | 9325 | 2532 | 9325 | 3024 | 24 | 1.15E-03 | GKS09 - 4S □□□ 071C33 MDSKS□□ 071-33 180 |
| 1945 | 21 | 1.5 | 170.188 | 3812 | 9325 | 2854 | 9325 | 3017 | 21 | 1.15E-03 | GKS09 - 4S □□□ 071C33 MDSKS□□ 071-33 180 |
| 2344 | 18 | 1.2 | 204.596 | 4547 | 9325 | 3431 | 9325 | 3031 | 18 | 1.12E-03 | GKS09 - 4S □□□ 071C33 MDSKS□□ 071-33 180 |
| 2646 | 16 | 1.1 | 230.577 | 4572 | 9325 | 3867 | 9325 | 3048 | 16 | 1.12E-03 | GKS09 - 4S □□□ 071C33 MDSKS□□ 071-33 180 |
| 2098 | 4.7 | 2.6 | 816.455 | 3530 | 9322 | 4086 | 9323 | 5975 | 4.7 | 2.22E-04 | GKS11 - 4S □□□ 056C23 MDSKS□□ 056-23 190 |
| 2371 | 4.1 | 2.3 | 919.949 | 3977 | 9322 | 4604 | 9323 | 6072 | 4.1 | 2.22E-04 | GKS11 - 4S □□□ 056C23 MDSKS□□ 056-23 190 |
| 2559 | 3.8 | 2.1 | 990.879 | 4284 | 9322 | 4959 | 9323 | 5975 | 3.8 | 2.00E-04 | GKS11 - 4S □□□ 056C23 MDSKS□□ 056-23 190 |
| 2890 | 3.4 | 1.9 | 1116.484 | 4827 | 9322 | 5588 | 9323 | 6072 | 3.4 | 2.00E-04 | GKS11 - 4S □□□ 056C23 MDSKS□□ 056-23 190 |
| 3251 | 3.0 | 1.7 | 1252.516 | 5415 | 9322 | 6269 | 9323 | 5975 | 3.0 | 1.79E-04 | GKS11 - 4S □□□ 056C23 MDSKS□□ 056-23 190 |
| 3669 | 2.7 | 1.5 | 1411.286 | 6101 | 9322 | 7063 | 9323 | 6072 | 2.7 | 1.79E-04 | GKS11 - 4S □□□ 056C23 MDSKS□□ 056-23 190 |
| 3178 | 4.9 | 1.7 | 816.455 | 5245 | 9323 | 6831 | 9324 | 5975 | 4.9 | 2.82E-04 | GKS11 - 4S □□□ 056C33 MDSKS□□ 056-33 200 |
| 3587 | 4.4 | 1.5 | 919.949 | 5910 | 9323 | 7696 | 9324 | 6072 | 4.4 | 2.82E-04 | GKS11 - 4S □□□ 056C33 MDSKS□□ 056-33 200 |
| 3869 | 4.0 | 1.4 | 990.879 | 6365 | 9323 | 8290 | 9324 | 5975 | 4.0 | 2.60E-04 | GKS11 - 4S □□□ 056C33 MDSKS□□ 056-33 200 |
| 4366 | 3.6 | 1.3 | 1116.484 | 7172 | 9323 | 9108 | 9324 | 6072 | 3.6 | 2.60E-04 | GKS11 - 4S □□□ 056C33 MDSKS□□ 056-33 200 |
| 4906 | 3.2 | 1.1 | 1252.516 | 8046 | 9323 | 8963 | 9324 | 5975 | 3.2 | 2.39E-04 | GKS11 - 4S □□□ 056C33 MDSKS□□ 056-33 200 |
| 1676 | 11 | 3.3 | 322.931 | 2415 | 9323 | 3193 | 9324 | 5973 | 11 | 8.09E-04 | GKS11 - 4S □□□ 071C03 MDSKS□□ 071-03 170 |
| 1895 | 9.3 | 3.0 | 363.866 | 2721 | 9323 | 3598 | 9324 | 6032 | 9.3 | 8.08E-04 | GKS11 - 4S □□□ 071C03 MDSKS□□ 071-03 170 |
| 2068 | 8.6 | 2.7 | 395.787 | 2960 | 9323 | 3914 | 9324 | 5973 | 8.6 | 7.52E-04 | GKS11 - 4S □□□ 071C03 MDSKS□□ 071-03 170 |
| 2337 | 7.6 | 2.4 | 445.958 | 3335 | 9323 | 4410 | 9324 | 6032 | 7.6 | 7.52E-04 | GKS11 - 4S □□□ 071C03 MDSKS□□ 071-03 170 |
| 2694 | 6.6 | 2.1 | 512.196 | 3831 | 9323 | 5065 | 9324 | 5975 | 6.6 | 7.39E-04 | GKS11 - 4S □□□ 071C03 MDSKS□□ 071-03 170 |
| 3042 | 5.9 | 1.9 | 577.122 | 4316 | 9323 | 5707 | 9324 | 6072 | 5.9 | 7.38E-04 | GKS11 - 4S □□□ 071C03 MDSKS□□ 071-03 170 |
| 3282 | 5.5 | 1.7 | 621.619 | 4649 | 9323 | 6147 | 9324 | 5975 | 5.5 | 7.31E-04 | GKS11 - 4S □□□ 071C03 MDSKS□□ 071-03 170 |

Observe the notes for thermal dimensioning.

Selection tables - Helical-bevel gearboxes

Naturally ventilated synchronous geared servo motors



| M ₂ [Nm] | n _{2 trans} [rpm] | c | i | M _{2 max} short-time on geared motor at | | | | M _{2 Gr} gearbox c=1 n ₁ ≤ 1400 rpm [Nm] | n _{2 therm} [rpm] | J _{GM} referred to motor shaft [kgm ²] | Helical-bevel geared servo motor Dimensions on Page 6-88 |
|------------------------|-------------------------------|-----|---------|---|-------------|----------------------------|-------------|--|-------------------------------|---|---|
| | | | | 8 kHz | | 16 kHz | | | | | |
| | | | | M _{2 max} [Nm] | Type EVS | M _{2 max} [Nm] | Type EVS | | | | |
| 3705 | 4.9 | 1.6 | 700.416 | 5238 | 9323 | 6926 | 9324 | 6072 | 4.9 | 7.31E-04 | GKS11 - 4S □□□ 071C03 MDSKS□□ 071-03 170 |
| 4330 | 4.2 | 1.3 | 816.455 | 6106 | 9323 | 8073 | 9324 | 5975 | 4.2 | 6.82E-04 | GKS11 - 4S □□□ 071C03 MDSKS□□ 071-03 170 |
| 4886 | 3.7 | 1.2 | 919.949 | 6880 | 9323 | 9097 | 9324 | 6072 | 3.7 | 6.82E-04 | GKS11 - 4S □□□ 071C03 MDSKS□□ 071-03 170 |
| 5269 | 3.4 | 1.1 | 990.879 | 7411 | 9323 | 8963 | 9324 | 5975 | 3.4 | 6.60E-04 | GKS11 - 4S □□□ 071C03 MDSKS□□ 071-03 170 |
| 764 | 36 | 4.3 | 102.119 | 1187 | 9324 | 1637 | 9325 | 4012 | 36 | 1.53E-03 | GKS11 - 4S □□□ 071C13 MDSKS□□ 071-13 185 |
| 856 | 32 | 4.7 | 115.063 | 1338 | 9324 | 1845 | 9325 | 4520 | 32 | 1.52E-03 | GKS11 - 4S □□□ 071C13 MDSKS□□ 071-13 185 |
| 931 | 30 | 4.7 | 125.095 | 1454 | 9324 | 2006 | 9325 | 4914 | 30 | 1.42E-03 | GKS11 - 4S □□□ 071C13 MDSKS□□ 071-13 185 |
| 1049 | 26 | 4.7 | 140.952 | 1639 | 9324 | 2260 | 9325 | 5537 | 26 | 1.42E-03 | GKS11 - 4S □□□ 071C13 MDSKS□□ 071-13 185 |
| 2470 | 11 | 2.2 | 322.931 | 3754 | 9324 | 5177 | 9325 | 5973 | 11 | 1.01E-03 | GKS11 - 4S □□□ 071C13 MDSKS□□ 071-13 185 |
| 2790 | 10 | 2.0 | 363.866 | 4230 | 9324 | 5834 | 9325 | 6032 | 10 | 1.01E-03 | GKS11 - 4S □□□ 071C13 MDSKS□□ 071-13 185 |
| 3040 | 9.4 | 1.8 | 395.787 | 4601 | 9324 | 6345 | 9325 | 5973 | 9.4 | 9.52E-04 | GKS11 - 4S □□□ 071C13 MDSKS□□ 071-13 185 |
| 3433 | 8.3 | 1.6 | 445.958 | 5184 | 9324 | 7150 | 9325 | 6032 | 8.3 | 9.52E-04 | GKS11 - 4S □□□ 071C13 MDSKS□□ 071-13 185 |
| 3952 | 7.2 | 1.4 | 512.196 | 5954 | 9324 | 8212 | 9325 | 5975 | 7.2 | 9.39E-04 | GKS11 - 4S □□□ 071C13 MDSKS□□ 071-13 185 |
| 4460 | 6.4 | 1.3 | 577.122 | 6709 | 9324 | 9108 | 9325 | 6072 | 6.4 | 9.38E-04 | GKS11 - 4S □□□ 071C13 MDSKS□□ 071-13 185 |
| 4809 | 6.0 | 1.2 | 621.619 | 7226 | 9324 | 8963 | 9325 | 5975 | 6.0 | 9.31E-04 | GKS11 - 4S □□□ 071C13 MDSKS□□ 071-13 185 |
| 5426 | 5.3 | 1.0 | 700.416 | 8142 | 9324 | 9108 | 9325 | 6072 | 5.3 | 9.31E-04 | GKS11 - 4S □□□ 071C13 MDSKS□□ 071-13 185 |
| 1149 | 35 | 2.9 | 102.119 | 2287 | 9325 | 1713 | 9325 | 4012 | 35 | 1.73E-03 | GKS11 - 4S □□□ 071C33 MDSKS□□ 071-33 180 |
| 1290 | 31 | 3.2 | 115.063 | 2577 | 9325 | 1930 | 9325 | 4520 | 31 | 1.72E-03 | GKS11 - 4S □□□ 071C33 MDSKS□□ 071-33 180 |
| 1403 | 29 | 3.2 | 125.095 | 2802 | 9325 | 2098 | 9325 | 4914 | 29 | 1.62E-03 | GKS11 - 4S □□□ 071C33 MDSKS□□ 071-33 180 |
| 1580 | 26 | 3.2 | 140.952 | 3157 | 9325 | 2364 | 9325 | 5537 | 26 | 1.62E-03 | GKS11 - 4S □□□ 071C33 MDSKS□□ 071-33 180 |
| 3688 | 11 | 1.5 | 322.931 | 7234 | 9325 | 5415 | 9325 | 5973 | 11 | 1.21E-03 | GKS11 - 4S □□□ 071C33 MDSKS□□ 071-33 180 |
| 4163 | 9.9 | 1.4 | 363.866 | 8151 | 9325 | 6102 | 9325 | 6032 | 9.9 | 1.21E-03 | GKS11 - 4S □□□ 071C33 MDSKS□□ 071-33 180 |
| 4534 | 9.1 | 1.2 | 395.787 | 8866 | 9325 | 6637 | 9325 | 5973 | 9.1 | 1.15E-03 | GKS11 - 4S □□□ 071C33 MDSKS□□ 071-33 180 |
| 5116 | 8.1 | 1.1 | 445.958 | 9048 | 9325 | 7479 | 9325 | 6032 | 8.1 | 1.15E-03 | GKS11 - 4S □□□ 071C33 MDSKS□□ 071-33 180 |

Observe the notes for thermal dimensioning.

Selection tables - Helical-bevel gearboxes

Forced ventilated synchronous geared servo motors

| M ₂ [Nm] | n ₂ trans [rpm] | c | i | M ₂ max short-time on geared motor at | | | | M ₂ Gr gearbox c=1 n ₁ ≤ 1400 rpm [Nm] | n ₂ therm [rpm] | J _G M referred to motor shaft [kgm ²] | Helical-bevel geared servo motor Dimensions on Page 6-88 |
|------------------------|-------------------------------|-----|--------|---|-------------|----------------------------|-------------|--|-------------------------------|--|---|
| | | | | 8 kHz | | 16 kHz | | | | | |
| | | | | M ₂ max [Nm] | Type EVS | M ₂ max [Nm] | Type EVS | | | | |
| 36 | 644 | 1.7 | 5.123 | 67 | 9324 | 52 | 9324 | 81 | 541 | 7.17E-04 | GKS04 - 3S □□□ 071C03 MDFKS□□ 071-03 165 |
| 50 | 470 | 1.4 | 7.025 | 91 | 9324 | 71 | 9324 | 93 | 413 | 6.68E-04 | GKS04 - 3S □□□ 071C03 MDFKS□□ 071-03 165 |
| 58 | 404 | 1.7 | 8.167 | 106 | 9324 | 82 | 9324 | 128 | 339 | 6.86E-04 | GKS04 - 3S □□□ 071C03 MDFKS□□ 071-03 165 |
| 64 | 367 | 1.2 | 8.991 | 117 | 9324 | 90 | 9324 | 103 | 353 | 6.44E-04 | GKS04 - 3S □□□ 071C03 MDFKS□□ 071-03 165 |
| 70 | 336 | 1.2 | 9.836 | 128 | 9324 | 99 | 9324 | 106 | 331 | 6.38E-04 | GKS04 - 3S □□□ 071C03 MDFKS□□ 071-03 165 |
| 83 | 281 | 1.7 | 11.730 | 152 | 9324 | 118 | 9324 | 180 | 233 | 6.73E-04 | GKS04 - 3S □□□ 071C03 MDFKS□□ 071-03 165 |
| 93 | 253 | 1.4 | 13.067 | 170 | 9324 | 131 | 9324 | 165 | 189 | 6.70E-04 | GKS04 - 3S □□□ 071C03 MDFKS□□ 071-03 165 |
| 102 | 230 | 1.2 | 14.333 | 186 | 9324 | 144 | 9324 | 164 | 221 | 6.35E-04 | GKS04 - 3S □□□ 071C03 MDFKS□□ 071-03 165 |
| 114 | 205 | 1.2 | 16.087 | 209 | 9324 | 162 | 9324 | 181 | 169 | 6.44E-04 | GKS04 - 3S □□□ 071C03 MDFKS□□ 071-03 165 |
| 53 | 703 | 1.1 | 5.123 | 106 | 9325 | 84 | 9325 | 81 | 442 | 9.17E-04 | GKS04 - 3S □□□ 071C13 MDFKS□□ 071-13 180 |
| 85 | 441 | 1.1 | 8.167 | 169 | 9325 | 133 | 9325 | 128 | 277 | 8.86E-04 | GKS04 - 3S □□□ 071C13 MDFKS□□ 071-13 180 |
| 122 | 307 | 1.1 | 11.730 | 243 | 9325 | 191 | 9325 | 180 | 191 | 8.73E-04 | GKS04 - 3S □□□ 071C13 MDFKS□□ 071-13 180 |
| 48 | 481 | 2.3 | 6.863 | 89 | 9324 | 69 | 9324 | 147 | 376 | 7.90E-04 | GKS05 - 3S □□□ 071C03 MDFKS□□ 071-03 165 |
| 66 | 351 | 1.9 | 9.412 | 122 | 9324 | 95 | 9324 | 165 | 305 | 7.17E-04 | GKS05 - 3S □□□ 071C03 MDFKS□□ 071-03 165 |
| 74 | 312 | 2.3 | 10.569 | 137 | 9324 | 106 | 9324 | 227 | 244 | 7.60E-04 | GKS05 - 3S □□□ 071C03 MDFKS□□ 071-03 165 |
| 82 | 283 | 2.3 | 11.667 | 152 | 9324 | 117 | 9324 | 251 | 221 | 7.65E-04 | GKS05 - 3S □□□ 071C03 MDFKS□□ 071-03 165 |
| 94 | 250 | 1.4 | 13.176 | 171 | 9324 | 133 | 9324 | 165 | 215 | 6.71E-04 | GKS05 - 3S □□□ 071C03 MDFKS□□ 071-03 165 |
| 102 | 228 | 1.9 | 14.494 | 188 | 9324 | 146 | 9324 | 254 | 198 | 7.04E-04 | GKS05 - 3S □□□ 071C03 MDFKS□□ 071-03 165 |
| 113 | 206 | 1.9 | 16.000 | 208 | 9324 | 161 | 9324 | 280 | 179 | 7.04E-04 | GKS05 - 3S □□□ 071C03 MDFKS□□ 071-03 165 |
| 120 | 194 | 2.0 | 17.054 | 222 | 9324 | 172 | 9324 | 314 | 147 | 7.51E-04 | GKS05 - 3S □□□ 071C03 MDFKS□□ 071-03 165 |
| 136 | 172 | 1.7 | 19.216 | 250 | 9324 | 193 | 9324 | 297 | 118 | 7.47E-04 | GKS05 - 3S □□□ 071C03 MDFKS□□ 071-03 165 |
| 166 | 141 | 1.5 | 23.388 | 304 | 9324 | 235 | 9324 | 329 | 109 | 6.96E-04 | GKS05 - 3S □□□ 071C03 MDFKS□□ 071-03 165 |
| 187 | 125 | 1.2 | 26.353 | 342 | 9324 | 265 | 9324 | 298 | 86 | 6.95E-04 | GKS05 - 3S □□□ 071C03 MDFKS□□ 071-03 165 |
| 213 | 110 | 1.2 | 29.931 | 389 | 9324 | 301 | 9324 | 330 | 85 | 6.67E-04 | GKS05 - 3S □□□ 071C03 MDFKS□□ 071-03 165 |
| 233 | 101 | 1.1 | 32.744 | 426 | 9324 | 329 | 9324 | 331 | 79 | 6.58E-04 | GKS05 - 3S □□□ 071C03 MDFKS□□ 071-03 165 |
| 71 | 525 | 1.5 | 6.863 | 142 | 9325 | 112 | 9325 | 147 | 316 | 9.90E-04 | GKS05 - 3S □□□ 071C13 MDFKS□□ 071-13 180 |
| 98 | 383 | 1.3 | 9.412 | 195 | 9325 | 154 | 9325 | 165 | 244 | 9.17E-04 | GKS05 - 3S □□□ 071C13 MDFKS□□ 071-13 180 |
| 110 | 341 | 1.5 | 10.569 | 219 | 9325 | 172 | 9325 | 227 | 205 | 9.60E-04 | GKS05 - 3S □□□ 071C13 MDFKS□□ 071-13 180 |
| 121 | 309 | 1.5 | 11.667 | 242 | 9325 | 190 | 9325 | 251 | 186 | 9.65E-04 | GKS05 - 3S □□□ 071C13 MDFKS□□ 071-13 180 |
| 151 | 248 | 1.3 | 14.494 | 300 | 9325 | 236 | 9325 | 254 | 159 | 9.04E-04 | GKS05 - 3S □□□ 071C13 MDFKS□□ 071-13 180 |
| 167 | 225 | 1.3 | 16.000 | 332 | 9325 | 261 | 9325 | 280 | 144 | 9.04E-04 | GKS05 - 3S □□□ 071C13 MDFKS□□ 071-13 180 |
| 178 | 211 | 1.3 | 17.054 | 354 | 9325 | 278 | 9325 | 314 | 117 | 9.51E-04 | GKS05 - 3S □□□ 071C13 MDFKS□□ 071-13 180 |
| 201 | 187 | 1.1 | 19.216 | 398 | 9325 | 313 | 9325 | 297 | 96 | 9.47E-04 | GKS05 - 3S □□□ 071C13 MDFKS□□ 071-13 180 |
| 244 | 154 | 1.0 | 23.388 | 485 | 9325 | 381 | 9325 | 329 | 89 | 8.96E-04 | GKS05 - 3S □□□ 071C13 MDFKS□□ 071-13 180 |

Observe the notes for thermal dimensioning.

Selection tables - Helical-bevel gearboxes

Forced ventilated synchronous geared servo motors



| M ₂ [Nm] | n _{2 trans} [rpm] | c | i | M _{2 max} short-time on geared motor at | | | | M _{2 Gr} gearbox c=1 n ₁ ≤1400 rpm [Nm] | n _{2 therm} [rpm] | J _{GM} referred to motor shaft [kgm ²] | Helical-bevel geared servo motor Dimensions on Page 6-88 |
|------------------------|-------------------------------|-----|---------|---|-------------|----------------------------|-------------|---|-------------------------------|---|---|
| | | | | 8 kHz | | 16 kHz | | | | | |
| | | | | M _{2 max} [Nm] | Type EVS | M _{2 max} [Nm] | Type EVS | | | | |
| 106 | 510 | 1.1 | 6.863 | 156 | 9325 | 180 | 9326 | 147 | 264 | 1.19E-03 | GKS05 - 3S □□□ 071C33 MDFKS□□ 071-33 175 |
| 163 | 331 | 1.1 | 10.569 | 241 | 9325 | 277 | 9326 | 227 | 171 | 1.16E-03 | GKS05 - 3S □□□ 071C33 MDFKS□□ 071-33 175 |
| 179 | 300 | 1.1 | 11.667 | 266 | 9325 | 305 | 9326 | 251 | 155 | 1.16E-03 | GKS05 - 3S □□□ 071C33 MDFKS□□ 071-33 175 |
| 79 | 290 | 3.1 | 11.382 | 148 | 9324 | 115 | 9324 | 331 | 275 | 8.49E-04 | GKS06 - 3S □□□ 071C03 MDFKS□□ 071-03 165 |
| 124 | 185 | 3.1 | 17.809 | 231 | 9324 | 179 | 9324 | 518 | 176 | 8.13E-04 | GKS06 - 3S □□□ 071C03 MDFKS□□ 071-03 165 |
| 182 | 127 | 2.8 | 26.017 | 338 | 9324 | 262 | 9324 | 679 | 118 | 7.94E-04 | GKS06 - 3S □□□ 071C03 MDFKS□□ 071-03 165 |
| 199 | 116 | 2.6 | 28.461 | 370 | 9324 | 286 | 9324 | 682 | 109 | 7.67E-04 | GKS06 - 3S □□□ 071C03 MDFKS□□ 071-03 165 |
| 226 | 103 | 2.1 | 32.063 | 417 | 9324 | 323 | 9324 | 610 | 92 | 7.63E-04 | GKS06 - 3S □□□ 071C03 MDFKS□□ 071-03 165 |
| 256 | 91 | 2.0 | 36.303 | 472 | 9324 | 365 | 9324 | 685 | 91 | 7.18E-04 | GKS06 - 3S □□□ 071C03 MDFKS□□ 071-03 165 |
| 314 | 74 | 1.9 | 44.471 | 578 | 9324 | 447 | 9324 | 689 | 74 | 6.90E-04 | GKS06 - 3S □□□ 071C03 MDFKS□□ 071-03 165 |
| 376 | 62 | 1.6 | 53.074 | 690 | 9324 | 534 | 9324 | 695 | 47 | 7.52E-04 | GKS06 - 3S □□□ 071C03 MDFKS□□ 071-03 165 |
| 410 | 57 | 1.5 | 57.882 | 752 | 9324 | 582 | 9324 | 695 | 57 | 6.58E-04 | GKS06 - 3S □□□ 071C03 MDFKS□□ 071-03 165 |
| 464 | 51 | 1.2 | 65.207 | 847 | 9324 | 656 | 9324 | 624 | 51 | 6.57E-04 | GKS06 - 3S □□□ 071C03 MDFKS□□ 071-03 165 |
| 512 | 46 | 1.2 | 72.000 | 936 | 9324 | 724 | 9324 | 702 | 46 | 6.42E-04 | GKS06 - 3S □□□ 071C03 MDFKS□□ 071-03 165 |
| 118 | 316 | 2.1 | 11.382 | 236 | 9325 | 186 | 9325 | 331 | 252 | 1.05E-03 | GKS06 - 3S □□□ 071C13 MDFKS□□ 071-13 180 |
| 184 | 202 | 2.1 | 17.809 | 369 | 9325 | 291 | 9325 | 518 | 161 | 1.01E-03 | GKS06 - 3S □□□ 071C13 MDFKS□□ 071-13 180 |
| 269 | 138 | 1.9 | 26.017 | 539 | 9325 | 424 | 9325 | 679 | 105 | 9.94E-04 | GKS06 - 3S □□□ 071C13 MDFKS□□ 071-13 180 |
| 295 | 126 | 1.7 | 28.461 | 590 | 9325 | 464 | 9325 | 682 | 95 | 9.67E-04 | GKS06 - 3S □□□ 071C13 MDFKS□□ 071-13 180 |
| 334 | 112 | 1.4 | 32.063 | 665 | 9325 | 523 | 9325 | 610 | 75 | 9.63E-04 | GKS06 - 3S □□□ 071C13 MDFKS□□ 071-13 180 |
| 378 | 99 | 1.3 | 36.303 | 752 | 9325 | 592 | 9325 | 685 | 75 | 9.18E-04 | GKS06 - 3S □□□ 071C13 MDFKS□□ 071-13 180 |
| 463 | 81 | 1.3 | 44.471 | 922 | 9325 | 725 | 9325 | 689 | 69 | 8.90E-04 | GKS06 - 3S □□□ 071C13 MDFKS□□ 071-13 180 |
| 554 | 68 | 1.1 | 53.074 | 1043 | 9325 | 866 | 9325 | 695 | 38 | 9.52E-04 | GKS06 - 3S □□□ 071C13 MDFKS□□ 071-13 180 |
| 174 | 307 | 1.4 | 11.382 | 259 | 9325 | 298 | 9326 | 331 | 206 | 1.25E-03 | GKS06 - 3S □□□ 071C33 MDFKS□□ 071-33 175 |
| 273 | 197 | 1.4 | 17.809 | 406 | 9325 | 466 | 9326 | 518 | 132 | 1.21E-03 | GKS06 - 3S □□□ 071C33 MDFKS□□ 071-33 175 |
| 399 | 135 | 1.3 | 26.017 | 593 | 9325 | 681 | 9326 | 679 | 85 | 1.19E-03 | GKS06 - 3S □□□ 071C33 MDFKS□□ 071-33 175 |
| 437 | 123 | 1.2 | 28.461 | 649 | 9325 | 745 | 9326 | 682 | 79 | 1.17E-03 | GKS06 - 3S □□□ 071C33 MDFKS□□ 071-33 175 |
| 249 | 92 | 3.9 | 36.063 | 469 | 9324 | 363 | 9324 | 1290 | 91 | 9.65E-04 | GKS07 - 3S □□□ 071C03 MDFKS□□ 071-03 165 |
| 402 | 57 | 2.8 | 57.501 | 747 | 9324 | 578 | 9324 | 1310 | 57 | 7.75E-04 | GKS07 - 3S □□□ 071C03 MDFKS□□ 071-03 165 |
| 455 | 51 | 2.3 | 64.790 | 842 | 9324 | 652 | 9324 | 1195 | 51 | 7.73E-04 | GKS07 - 3S □□□ 071C03 MDFKS□□ 071-03 165 |
| 495 | 47 | 2.3 | 70.474 | 916 | 9324 | 709 | 9324 | 1320 | 47 | 7.29E-04 | GKS07 - 3S □□□ 071C03 MDFKS□□ 071-03 165 |
| 561 | 42 | 1.9 | 79.407 | 1032 | 9324 | 799 | 9324 | 1205 | 42 | 7.28E-04 | GKS07 - 3S □□□ 071C03 MDFKS□□ 071-03 165 |
| 654 | 36 | 1.8 | 92.563 | 1203 | 9324 | 931 | 9324 | 1330 | 36 | 6.81E-04 | GKS07 - 3S □□□ 071C03 MDFKS□□ 071-03 165 |
| 740 | 32 | 1.4 | 104.296 | 1355 | 9324 | 1049 | 9324 | 1215 | 32 | 6.80E-04 | GKS07 - 3S □□□ 071C03 MDFKS□□ 071-03 165 |
| 795 | 29 | 1.6 | 112.338 | 1460 | 9324 | 1130 | 9324 | 1330 | 29 | 6.59E-04 | GKS07 - 3S □□□ 071C03 MDFKS□□ 071-03 165 |

Observe the notes for thermal dimensioning.

Selection tables - Helical-bevel gearboxes

Forced ventilated synchronous geared servo motors

| M ₂ [Nm] | n _{2 trans} [rpm] | c | i | M _{2 max} short-time on geared motor at | | | | M _{2 Gr} gearbox c=1 n ₁ ≤ 1400 rpm [Nm] | n _{2 therm} [rpm] | J _{GM} referred to motor shaft [kgm ²] | Helical-bevel geared servo motor Dimensions on Page 6-88 |
|------------------------|-------------------------------|-----|---------|---|-------------|----------------------------|-------------|--|-------------------------------|---|---|
| | | | | 8 kHz | | 16 kHz | | | | | |
| | | | | M _{2 max} [Nm] | Type EVS | M _{2 max} [Nm] | Type EVS | | | | |
| 899 | 26 | 1.3 | 126.578 | 1645 | 9324 | 1273 | 9324 | 1215 | 26 | 6.59E-04 | GKS07 - 3S □□□ 071C03 MDFKS□□ 071-03 165 |
| 998 | 23 | 1.3 | 140.548 | 1826 | 9324 | 1414 | 9324 | 1330 | 23 | 7.11E-04 | GKS07 - 3S □□□ 071C03 MDFKS□□ 071-03 165 |
| 1128 | 21 | 1.0 | 158.364 | 1823 | 9324 | 1593 | 9324 | 1215 | 20 | 7.11E-04 | GKS07 - 3S □□□ 071C03 MDFKS□□ 071-03 165 |
| 371 | 100 | 2.6 | 36.063 | 748 | 9325 | 588 | 9325 | 1290 | 84 | 1.16E-03 | GKS07 - 3S □□□ 071C13 MDFKS□□ 071-13 180 |
| 595 | 63 | 1.9 | 57.501 | 1192 | 9325 | 938 | 9325 | 1310 | 63 | 9.75E-04 | GKS07 - 3S □□□ 071C13 MDFKS□□ 071-13 180 |
| 673 | 56 | 1.5 | 64.790 | 1343 | 9325 | 1057 | 9325 | 1195 | 51 | 9.73E-04 | GKS07 - 3S □□□ 071C13 MDFKS□□ 071-13 180 |
| 732 | 51 | 1.5 | 70.474 | 1461 | 9325 | 1149 | 9325 | 1320 | 51 | 9.29E-04 | GKS07 - 3S □□□ 071C13 MDFKS□□ 071-13 180 |
| 828 | 45 | 1.2 | 79.407 | 1646 | 9325 | 1295 | 9325 | 1205 | 44 | 9.28E-04 | GKS07 - 3S □□□ 071C13 MDFKS□□ 071-13 180 |
| 965 | 39 | 1.2 | 92.563 | 1919 | 9325 | 1510 | 9325 | 1330 | 39 | 8.81E-04 | GKS07 - 3S □□□ 071C13 MDFKS□□ 071-13 180 |
| 1173 | 32 | 1.1 | 112.338 | 1995 | 9325 | 1832 | 9325 | 1330 | 32 | 8.59E-04 | GKS07 - 3S □□□ 071C13 MDFKS□□ 071-13 180 |
| 551 | 97 | 1.8 | 36.063 | 822 | 9325 | 944 | 9326 | 1290 | 74 | 1.36E-03 | GKS07 - 3S □□□ 071C33 MDFKS□□ 071-33 175 |
| 882 | 61 | 1.3 | 57.501 | 1310 | 9325 | 1505 | 9326 | 1310 | 53 | 1.17E-03 | GKS07 - 3S □□□ 071C33 MDFKS□□ 071-33 175 |
| 997 | 54 | 1.0 | 64.790 | 1476 | 9325 | 1696 | 9326 | 1195 | 43 | 1.17E-03 | GKS07 - 3S □□□ 071C33 MDFKS□□ 071-33 175 |
| 1084 | 50 | 1.0 | 70.474 | 1606 | 9325 | 1844 | 9326 | 1320 | 46 | 1.13E-03 | GKS07 - 3S □□□ 071C33 MDFKS□□ 071-33 175 |
| 717 | 32 | 1.6 | 103.039 | 1316 | 9324 | 1019 | 9324 | 1290 | 32 | 6.84E-04 | GKS07 - 4S □□□ 071C03 MDFKS□□ 071-03 165 |
| 785 | 29 | 1.3 | 112.391 | 1436 | 9324 | 1111 | 9324 | 1053 | 29 | 6.63E-04 | GKS07 - 4S □□□ 071C03 MDFKS□□ 071-03 165 |
| 880 | 26 | 1.4 | 126.222 | 1612 | 9324 | 1248 | 9324 | 1300 | 26 | 6.73E-04 | GKS07 - 4S □□□ 071C03 MDFKS□□ 071-03 165 |
| 964 | 24 | 1.1 | 137.748 | 1580 | 9324 | 1362 | 9324 | 1053 | 24 | 6.57E-04 | GKS07 - 4S □□□ 071C03 MDFKS□□ 071-03 165 |
| 1081 | 21 | 1.2 | 154.622 | 1950 | 9324 | 1529 | 9324 | 1300 | 21 | 6.53E-04 | GKS07 - 4S □□□ 071C03 MDFKS□□ 071-03 165 |
| 1058 | 35 | 1.0 | 103.039 | 1935 | 9325 | 1652 | 9325 | 1290 | 35 | 8.84E-04 | GKS07 - 4S □□□ 071C13 MDFKS□□ 071-13 180 |
| 683 | 33 | 3.8 | 100.551 | 1284 | 9324 | 994 | 9324 | 3029 | 33 | 8.48E-04 | GKS09 - 4S □□□ 071C03 MDFKS□□ 071-03 165 |
| 771 | 29 | 3.7 | 113.320 | 1448 | 9324 | 1121 | 9324 | 3002 | 29 | 8.46E-04 | GKS09 - 4S □□□ 071C03 MDFKS□□ 071-03 165 |
| 841 | 27 | 3.4 | 123.275 | 1575 | 9324 | 1219 | 9324 | 3024 | 27 | 8.11E-04 | GKS09 - 4S □□□ 071C03 MDFKS□□ 071-03 165 |
| 952 | 24 | 3.0 | 138.929 | 1775 | 9324 | 1374 | 9324 | 3017 | 24 | 8.09E-04 | GKS09 - 4S □□□ 071C03 MDFKS□□ 071-03 165 |
| 1037 | 22 | 2.8 | 151.012 | 1929 | 9324 | 1493 | 9324 | 3024 | 22 | 7.52E-04 | GKS09 - 4S □□□ 071C03 MDFKS□□ 071-03 165 |
| 1173 | 19 | 2.5 | 170.188 | 2174 | 9324 | 1683 | 9324 | 3017 | 19 | 7.51E-04 | GKS09 - 4S □□□ 071C03 MDFKS□□ 071-03 165 |
| 1417 | 16 | 2.0 | 204.596 | 2613 | 9324 | 2023 | 9324 | 3031 | 16 | 7.24E-04 | GKS09 - 4S □□□ 071C03 MDFKS□□ 071-03 165 |
| 1600 | 14 | 1.8 | 230.577 | 2945 | 9324 | 2280 | 9324 | 3048 | 14 | 7.24E-04 | GKS09 - 4S □□□ 071C03 MDFKS□□ 071-03 165 |
| 1727 | 13 | 1.7 | 248.439 | 3173 | 9324 | 2457 | 9324 | 3031 | 13 | 7.13E-04 | GKS09 - 4S □□□ 071C03 MDFKS□□ 071-03 165 |
| 1950 | 12 | 1.5 | 279.986 | 3576 | 9324 | 2769 | 9324 | 3071 | 12 | 7.12E-04 | GKS09 - 4S □□□ 071C03 MDFKS□□ 071-03 165 |
| 2257 | 10 | 1.3 | 323.365 | 4130 | 9324 | 3197 | 9324 | 3031 | 10 | 6.71E-04 | GKS09 - 4S □□□ 071C03 MDFKS□□ 071-03 165 |
| 2547 | 9.1 | 1.2 | 364.427 | 4607 | 9324 | 3604 | 9324 | 3071 | 9.1 | 6.71E-04 | GKS09 - 4S □□□ 071C03 MDFKS□□ 071-03 165 |
| 2816 | 8.2 | 1.0 | 402.234 | 4547 | 9324 | 3977 | 9324 | 3031 | 8.2 | 6.51E-04 | GKS09 - 4S □□□ 071C03 MDFKS□□ 071-03 165 |
| 1016 | 36 | 2.5 | 100.551 | 2049 | 9325 | 1612 | 9325 | 3029 | 36 | 1.05E-03 | GKS09 - 4S □□□ 071C13 MDFKS□□ 071-13 180 |

Observe the notes for thermal dimensioning.

Selection tables - Helical-bevel gearboxes

Forced ventilated synchronous geared servo motors



| M ₂ [Nm] | n ₂ trans [rpm] | c | i | M ₂ max short-time on geared motor at | | | | M ₂ Gr gearbox c=1 n ₁ ≤ 1400 rpm [Nm] | n ₂ therm [rpm] | J _{GM} referred to motor shaft [kgm ²] | Helical-bevel geared servo motor Dimensions on Page 6-88 |
|------------------------|-------------------------------|-----|---------|---|-------------|----------------------------|-------------|--|-------------------------------|---|---|
| | | | | 8 kHz | | 16 kHz | | | | | |
| | | | | M ₂ max [Nm] | Type EVS | M ₂ max [Nm] | Type EVS | | | | |
| 1146 | 32 | 2.4 | 113.320 | 2309 | 9325 | 1817 | 9325 | 3002 | 32 | 1.05E-03 | GKS09 - 4S □□□ 071C13 MDFKS□□ 071-13 180 |
| 1249 | 29 | 2.2 | 123.275 | 2512 | 9325 | 1976 | 9325 | 3024 | 29 | 1.01E-03 | GKS09 - 4S □□□ 071C13 MDFKS□□ 071-13 180 |
| 1412 | 26 | 2.0 | 138.929 | 2831 | 9325 | 2227 | 9325 | 3017 | 26 | 1.01E-03 | GKS09 - 4S □□□ 071C13 MDFKS□□ 071-13 180 |
| 1537 | 24 | 1.8 | 151.012 | 3077 | 9325 | 2421 | 9325 | 3024 | 24 | 9.52E-04 | GKS09 - 4S □□□ 071C13 MDFKS□□ 071-13 180 |
| 1736 | 21 | 1.6 | 170.188 | 3467 | 9325 | 2728 | 9325 | 3017 | 21 | 9.51E-04 | GKS09 - 4S □□□ 071C13 MDFKS□□ 071-13 180 |
| 2093 | 18 | 1.4 | 204.596 | 4168 | 9325 | 3280 | 9325 | 3031 | 18 | 9.24E-04 | GKS09 - 4S □□□ 071C13 MDFKS□□ 071-13 180 |
| 2363 | 16 | 1.2 | 230.577 | 4572 | 9325 | 3697 | 9325 | 3048 | 16 | 9.24E-04 | GKS09 - 4S □□□ 071C13 MDFKS□□ 071-13 180 |
| 2548 | 14 | 1.1 | 248.439 | 4547 | 9325 | 3983 | 9325 | 3031 | 14 | 9.13E-04 | GKS09 - 4S □□□ 071C13 MDFKS□□ 071-13 180 |
| 2876 | 13 | 1.0 | 279.986 | 4607 | 9325 | 4489 | 9325 | 3071 | 13 | 9.12E-04 | GKS09 - 4S □□□ 071C13 MDFKS□□ 071-13 180 |
| 1509 | 35 | 1.7 | 100.551 | 2252 | 9325 | 2587 | 9326 | 3029 | 35 | 1.25E-03 | GKS09 - 4S □□□ 071C33 MDFKS□□ 071-33 175 |
| 1702 | 31 | 1.7 | 113.320 | 2538 | 9325 | 2915 | 9326 | 3002 | 31 | 1.25E-03 | GKS09 - 4S □□□ 071C33 MDFKS□□ 071-33 175 |
| 1854 | 28 | 1.5 | 123.275 | 2761 | 9325 | 3171 | 9326 | 3024 | 28 | 1.21E-03 | GKS09 - 4S □□□ 071C33 MDFKS□□ 071-33 175 |
| 2093 | 25 | 1.4 | 138.929 | 3112 | 9325 | 3574 | 9326 | 3017 | 25 | 1.21E-03 | GKS09 - 4S □□□ 071C33 MDFKS□□ 071-33 175 |
| 2278 | 23 | 1.3 | 151.012 | 3383 | 9325 | 3885 | 9326 | 3024 | 23 | 1.15E-03 | GKS09 - 4S □□□ 071C33 MDFKS□□ 071-33 175 |
| 2571 | 21 | 1.1 | 170.188 | 3812 | 9325 | 4378 | 9326 | 3017 | 21 | 1.15E-03 | GKS09 - 4S □□□ 071C33 MDFKS□□ 071-33 175 |
| 685 | 32 | 4.9 | 102.119 | 1304 | 9324 | 1010 | 9324 | 4012 | 32 | 1.33E-03 | GKS11 - 4S □□□ 071C03 MDFKS□□ 071-03 165 |
| 768 | 29 | 5.4 | 115.063 | 1470 | 9324 | 1138 | 9324 | 4520 | 29 | 1.32E-03 | GKS11 - 4S □□□ 071C03 MDFKS□□ 071-03 165 |
| 834 | 26 | 5.4 | 125.095 | 1598 | 9324 | 1237 | 9324 | 4914 | 26 | 1.22E-03 | GKS11 - 4S □□□ 071C03 MDFKS□□ 071-03 165 |
| 940 | 23 | 5.4 | 140.952 | 1800 | 9324 | 1394 | 9324 | 5537 | 23 | 1.22E-03 | GKS11 - 4S □□□ 071C03 MDFKS□□ 071-03 165 |
| 2224 | 10 | 2.6 | 322.931 | 4125 | 9324 | 3193 | 9324 | 5973 | 10 | 8.09E-04 | GKS11 - 4S □□□ 071C03 MDFKS□□ 071-03 165 |
| 2513 | 9.1 | 2.3 | 363.866 | 4648 | 9324 | 3598 | 9324 | 6032 | 9.1 | 8.08E-04 | GKS11 - 4S □□□ 071C03 MDFKS□□ 071-03 165 |
| 2739 | 8.3 | 2.1 | 395.787 | 5056 | 9324 | 3914 | 9324 | 5973 | 8.3 | 7.52E-04 | GKS11 - 4S □□□ 071C03 MDFKS□□ 071-03 165 |
| 3094 | 7.4 | 1.9 | 445.958 | 5696 | 9324 | 4410 | 9324 | 6032 | 7.4 | 7.52E-04 | GKS11 - 4S □□□ 071C03 MDFKS□□ 071-03 165 |
| 3563 | 6.4 | 1.6 | 512.196 | 6542 | 9324 | 5065 | 9324 | 5975 | 6.4 | 7.39E-04 | GKS11 - 4S □□□ 071C03 MDFKS□□ 071-03 165 |
| 4022 | 5.7 | 1.5 | 577.122 | 7372 | 9324 | 5707 | 9324 | 6072 | 5.7 | 7.38E-04 | GKS11 - 4S □□□ 071C03 MDFKS□□ 071-03 165 |
| 4338 | 5.3 | 1.3 | 621.619 | 7940 | 9324 | 6147 | 9324 | 5975 | 5.3 | 7.31E-04 | GKS11 - 4S □□□ 071C03 MDFKS□□ 071-03 165 |
| 4894 | 4.7 | 1.2 | 700.416 | 8947 | 9324 | 6926 | 9324 | 6072 | 4.7 | 7.31E-04 | GKS11 - 4S □□□ 071C03 MDFKS□□ 071-03 165 |
| 5717 | 4.0 | 1.0 | 816.455 | 8963 | 9324 | 8073 | 9324 | 5975 | 4.0 | 6.82E-04 | GKS11 - 4S □□□ 071C03 MDFKS□□ 071-03 165 |
| 1024 | 35 | 3.2 | 102.119 | 2081 | 9325 | 1637 | 9325 | 4012 | 35 | 1.53E-03 | GKS11 - 4S □□□ 071C13 MDFKS□□ 071-13 180 |
| 1149 | 31 | 3.6 | 115.063 | 2344 | 9325 | 1845 | 9325 | 4520 | 31 | 1.52E-03 | GKS11 - 4S □□□ 071C13 MDFKS□□ 071-13 180 |
| 1249 | 29 | 3.6 | 125.095 | 2549 | 9325 | 2006 | 9325 | 4914 | 29 | 1.42E-03 | GKS11 - 4S □□□ 071C13 MDFKS□□ 071-13 180 |
| 1407 | 26 | 3.6 | 140.952 | 2872 | 9325 | 2260 | 9325 | 5537 | 26 | 1.42E-03 | GKS11 - 4S □□□ 071C13 MDFKS□□ 071-13 180 |
| 3292 | 11 | 1.7 | 322.931 | 6579 | 9325 | 5177 | 9325 | 5973 | 11 | 1.01E-03 | GKS11 - 4S □□□ 071C13 MDFKS□□ 071-13 180 |
| 3716 | 9.9 | 1.5 | 363.866 | 7413 | 9325 | 5834 | 9325 | 6032 | 9.9 | 1.01E-03 | GKS11 - 4S □□□ 071C13 MDFKS□□ 071-13 180 |

Observe the notes for thermal dimensioning.

Selection tables - Helical-bevel gearboxes

Forced ventilated synchronous geared servo motors

| M ₂ [Nm] | n ₂ trans [rpm] | c | i | M ₂ max short-time on geared motor at | | | | M ₂ Gr gearbox c=1 n ₁ ≤ 1400 rpm [Nm] | n ₂ therm [rpm] | J _{GM} referred to motor shaft [kgm ²] | Helical-bevel geared servo motor Dimensions on Page 6-88 |
|------------------------|-------------------------------|-----|---------|---|-------------|----------------------------|-------------|--|-------------------------------|---|---|
| | | | | 8 kHz | | 16 kHz | | | | | |
| | | | | M ₂ max [Nm] | Type EVS | M ₂ max [Nm] | Type EVS | | | | |
| 4048 | 9.1 | 1.4 | 395.787 | 8064 | 9325 | 6345 | 9325 | 5973 | 9.1 | 9.52E-04 | GKS11 - 4S □□□ 071C13 MDFKS□□ 071-13 180 |
| 4569 | 8.1 | 1.2 | 445.958 | 9048 | 9325 | 7150 | 9325 | 6032 | 8.1 | 9.52E-04 | GKS11 - 4S □□□ 071C13 MDFKS□□ 071-13 180 |
| 5257 | 7.0 | 1.1 | 512.196 | 8963 | 9325 | 8212 | 9325 | 5975 | 7.0 | 9.39E-04 | GKS11 - 4S □□□ 071C13 MDFKS□□ 071-13 180 |
| 1524 | 34 | 2.2 | 102.119 | 2287 | 9325 | 2627 | 9326 | 4012 | 34 | 1.73E-03 | GKS11 - 4S □□□ 071C33 MDFKS□□ 071-33 175 |
| 1713 | 30 | 2.5 | 115.063 | 2577 | 9325 | 2960 | 9326 | 4520 | 30 | 1.72E-03 | GKS11 - 4S □□□ 071C33 MDFKS□□ 071-33 175 |
| 1862 | 28 | 2.5 | 125.095 | 2802 | 9325 | 3218 | 9326 | 4914 | 28 | 1.62E-03 | GKS11 - 4S □□□ 071C33 MDFKS□□ 071-33 175 |
| 2099 | 25 | 2.5 | 140.952 | 3157 | 9325 | 3626 | 9326 | 5537 | 25 | 1.62E-03 | GKS11 - 4S □□□ 071C33 MDFKS□□ 071-33 175 |
| 4876 | 11 | 1.2 | 322.931 | 7234 | 9325 | 8307 | 9326 | 5973 | 11 | 1.21E-03 | GKS11 - 4S □□□ 071C33 MDFKS□□ 071-33 175 |
| 5501 | 9.6 | 1.0 | 363.866 | 8151 | 9325 | 9048 | 9326 | 6032 | 9.6 | 1.21E-03 | GKS11 - 4S □□□ 071C33 MDFKS□□ 071-33 175 |

Observe the notes for thermal dimensioning.

Selection tables - Helical-bevel gearboxes

Naturally ventilated asynchronous geared servo motors



| M ₂ [Nm] | n _{2 trans} [rpm] | c | i | M _{2 max} short-time on geared motor at | | | | M _{2 Gr} gearbox c=1 n ₁ ≤1400 rpm [Nm] | n _{2 therm} [rpm] | J _{GM} referred to motor shaft [kgm ²] | Helical-bevel geared servo motor Dimensions on Page 6-88 |
|------------------------|-------------------------------|-----|--------|---|-------------|----------------------------|-------------|---|-------------------------------|---|---|
| | | | | 8 kHz | | 16 kHz | | | | | |
| | | | | M _{2 max} [Nm] | Type EVS | M _{2 max} [Nm] | Type EVS | | | | |
| 9 | 771 | 6.0 | 5.123 | 22 | 9322 | 26 | 9323 | 81 | 727 | 3.57E-04 | GKS04 - 3A □□□ 056C22 MDSKA□□ 056-22 140 |
| 13 | 562 | 5.0 | 7.025 | 30 | 9322 | 35 | 9323 | 93 | 562 | 3.08E-04 | GKS04 - 3A □□□ 056C22 MDSKA□□ 056-22 140 |
| 15 | 484 | 6.0 | 8.167 | 35 | 9322 | 41 | 9323 | 128 | 456 | 3.26E-04 | GKS04 - 3A □□□ 056C22 MDSKA□□ 056-22 140 |
| 16 | 439 | 4.4 | 8.991 | 38 | 9322 | 45 | 9323 | 103 | 439 | 2.84E-04 | GKS04 - 3A □□□ 056C22 MDSKA□□ 056-22 140 |
| 18 | 402 | 4.1 | 9.836 | 42 | 9322 | 50 | 9323 | 106 | 402 | 2.78E-04 | GKS04 - 3A □□□ 056C22 MDSKA□□ 056-22 140 |
| 21 | 337 | 5.8 | 11.730 | 50 | 9322 | 59 | 9323 | 180 | 316 | 3.13E-04 | GKS04 - 3A □□□ 056C22 MDSKA□□ 056-22 140 |
| 24 | 302 | 4.8 | 13.067 | 55 | 9322 | 66 | 9323 | 165 | 274 | 3.10E-04 | GKS04 - 3A □□□ 056C22 MDSKA□□ 056-22 140 |
| 26 | 276 | 4.4 | 14.333 | 61 | 9322 | 72 | 9323 | 164 | 276 | 2.75E-04 | GKS04 - 3A □□□ 056C22 MDSKA□□ 056-22 140 |
| 30 | 246 | 4.3 | 16.087 | 68 | 9322 | 81 | 9323 | 181 | 242 | 2.84E-04 | GKS04 - 3A □□□ 056C22 MDSKA□□ 056-22 140 |
| 33 | 220 | 3.5 | 17.920 | 76 | 9322 | 90 | 9323 | 166 | 210 | 2.83E-04 | GKS04 - 3A □□□ 056C22 MDSKA□□ 056-22 140 |
| 38 | 192 | 3.4 | 20.588 | 87 | 9322 | 104 | 9323 | 182 | 192 | 2.70E-04 | GKS04 - 3A □□□ 056C22 MDSKA□□ 056-22 140 |
| 42 | 175 | 3.1 | 22.522 | 95 | 9322 | 113 | 9323 | 182 | 175 | 2.66E-04 | GKS04 - 3A □□□ 056C22 MDSKA□□ 056-22 140 |
| 47 | 157 | 2.5 | 25.088 | 106 | 9322 | 126 | 9323 | 167 | 157 | 2.65E-04 | GKS04 - 3A □□□ 056C22 MDSKA□□ 056-22 140 |
| 54 | 138 | 2.4 | 28.727 | 121 | 9322 | 145 | 9323 | 183 | 138 | 2.58E-04 | GKS04 - 3A □□□ 056C22 MDSKA□□ 056-22 140 |
| 60 | 123 | 2.0 | 32.000 | 135 | 9322 | 161 | 9323 | 167 | 123 | 2.58E-04 | GKS04 - 3A □□□ 056C22 MDSKA□□ 056-22 140 |
| 66 | 112 | 2.0 | 35.191 | 149 | 9322 | 177 | 9323 | 183 | 112 | 2.54E-04 | GKS04 - 3A □□□ 056C22 MDSKA□□ 056-22 140 |
| 74 | 101 | 1.6 | 39.200 | 166 | 9322 | 197 | 9323 | 168 | 101 | 2.53E-04 | GKS04 - 3A □□□ 056C22 MDSKA□□ 056-22 140 |
| 83 | 89 | 1.8 | 44.240 | 187 | 9322 | 223 | 9323 | 185 | 89 | 2.49E-04 | GKS04 - 3A □□□ 056C22 MDSKA□□ 056-22 140 |
| 96 | 78 | 1.5 | 50.943 | 215 | 9322 | 257 | 9323 | 182 | 72 | 2.58E-04 | GKS04 - 3A □□□ 056C22 MDSKA□□ 056-22 140 |
| 108 | 69 | 1.4 | 56.976 | 241 | 9322 | 281 | 9323 | 187 | 69 | 2.46E-04 | GKS04 - 3A □□□ 056C22 MDSKA□□ 056-22 140 |
| 123 | 61 | 1.2 | 64.978 | 275 | 9322 | 275 | 9323 | 183 | 59 | 2.53E-04 | GKS04 - 3A □□□ 056C22 MDSKA□□ 056-22 140 |
| 19 | 791 | 3.0 | 5.123 | 61 | 9324 | 45 | 9324 | 81 | 639 | 9.47E-04 | GKS04 - 3A □□□ 071C22 MDSKA□□ 071-22 140 |
| 26 | 576 | 2.5 | 7.025 | 84 | 9324 | 61 | 9324 | 93 | 503 | 8.98E-04 | GKS04 - 3A □□□ 071C22 MDSKA□□ 071-22 140 |
| 30 | 496 | 3.0 | 8.167 | 98 | 9324 | 71 | 9324 | 128 | 401 | 9.16E-04 | GKS04 - 3A □□□ 071C22 MDSKA□□ 071-22 140 |
| 34 | 450 | 2.2 | 8.991 | 108 | 9324 | 79 | 9324 | 103 | 450 | 8.74E-04 | GKS04 - 3A □□□ 071C22 MDSKA□□ 071-22 140 |
| 37 | 412 | 2.0 | 9.836 | 118 | 9324 | 86 | 9324 | 106 | 412 | 8.68E-04 | GKS04 - 3A □□□ 071C22 MDSKA□□ 071-22 140 |
| 44 | 345 | 2.9 | 11.730 | 140 | 9324 | 103 | 9324 | 180 | 278 | 9.03E-04 | GKS04 - 3A □□□ 071C22 MDSKA□□ 071-22 140 |
| 49 | 310 | 2.4 | 13.067 | 156 | 9324 | 114 | 9324 | 165 | 240 | 9.00E-04 | GKS04 - 3A □□□ 071C22 MDSKA□□ 071-22 140 |
| 54 | 283 | 2.2 | 14.333 | 172 | 9324 | 125 | 9324 | 164 | 283 | 8.65E-04 | GKS04 - 3A □□□ 071C22 MDSKA□□ 071-22 140 |
| 60 | 252 | 2.1 | 16.087 | 193 | 9324 | 141 | 9324 | 181 | 214 | 8.74E-04 | GKS04 - 3A □□□ 071C22 MDSKA□□ 071-22 140 |
| 68 | 226 | 1.8 | 17.920 | 215 | 9324 | 157 | 9324 | 166 | 178 | 8.73E-04 | GKS04 - 3A □□□ 071C22 MDSKA□□ 071-22 140 |
| 78 | 197 | 1.7 | 20.588 | 246 | 9324 | 180 | 9324 | 182 | 178 | 8.60E-04 | GKS04 - 3A □□□ 071C22 MDSKA□□ 071-22 140 |
| 85 | 180 | 1.5 | 22.522 | 270 | 9324 | 197 | 9324 | 182 | 163 | 8.56E-04 | GKS04 - 3A □□□ 071C22 MDSKA□□ 071-22 140 |
| 95 | 161 | 1.3 | 25.088 | 251 | 9324 | 219 | 9324 | 167 | 134 | 8.55E-04 | GKS04 - 3A □□□ 071C22 MDSKA□□ 071-22 140 |

Observe the notes for thermal dimensioning.

Selection tables - Helical-bevel gearboxes

Naturally ventilated asynchronous geared servo motors

| M ₂ [Nm] | n ₂ trans [rpm] | c | i | M ₂ max short-time on geared motor at | | | | M ₂ Gr gearbox c=1 n ₁ ≤ 1400 rpm [Nm] | n ₂ therm [rpm] | J _{GM} referred to motor shaft [kgm ²] | Helical-bevel geared servo motor Dimensions on Page 6-88 |
|------------------------|-------------------------------|-----|---------|---|-------------|----------------------------|-------------|--|-------------------------------|---|---|
| | | | | 8 kHz | | 16 kHz | | | | | |
| | | | | M ₂ max [Nm] | Type EVS | M ₂ max [Nm] | Type EVS | | | | |
| 109 | 141 | 1.2 | 28.727 | 275 | 9324 | 251 | 9324 | 183 | 133 | 8.48E-04 | GKS04 - 3A □□□ 071C22 MDSKA□□ 071-22 140 |
| 24 | 300 | 4.8 | 13.176 | 56 | 9322 | 66 | 9323 | 165 | 300 | 3.11E-04 | GKS05 - 3A □□□ 056C22 MDSKA□□ 056-22 140 |
| 55 | 132 | 4.2 | 29.931 | 127 | 9322 | 151 | 9323 | 330 | 125 | 3.07E-04 | GKS05 - 3A □□□ 056C22 MDSKA□□ 056-22 140 |
| 60 | 121 | 3.9 | 32.744 | 138 | 9322 | 165 | 9323 | 331 | 116 | 2.98E-04 | GKS05 - 3A □□□ 056C22 MDSKA□□ 056-22 140 |
| 69 | 107 | 3.1 | 36.894 | 156 | 9322 | 186 | 9323 | 302 | 100 | 2.98E-04 | GKS05 - 3A □□□ 056C22 MDSKA□□ 056-22 140 |
| 78 | 95 | 3.0 | 41.765 | 177 | 9322 | 210 | 9323 | 331 | 95 | 2.82E-04 | GKS05 - 3A □□□ 056C22 MDSKA□□ 056-22 140 |
| 88 | 84 | 2.8 | 47.059 | 199 | 9322 | 237 | 9323 | 304 | 84 | 2.81E-04 | GKS05 - 3A □□□ 056C22 MDSKA□□ 056-22 140 |
| 95 | 77 | 2.8 | 51.162 | 216 | 9322 | 258 | 9323 | 331 | 77 | 2.72E-04 | GKS05 - 3A □□□ 056C22 MDSKA□□ 056-22 140 |
| 108 | 69 | 2.3 | 57.647 | 244 | 9322 | 290 | 9323 | 307 | 69 | 2.72E-04 | GKS05 - 3A □□□ 056C22 MDSKA□□ 056-22 140 |
| 125 | 59 | 2.2 | 66.592 | 282 | 9322 | 335 | 9323 | 331 | 59 | 2.60E-04 | GKS05 - 3A □□□ 056C22 MDSKA□□ 056-22 140 |
| 141 | 53 | 1.8 | 75.033 | 317 | 9322 | 378 | 9323 | 310 | 53 | 2.60E-04 | GKS05 - 3A □□□ 056C22 MDSKA□□ 056-22 140 |
| 156 | 48 | 1.7 | 82.833 | 350 | 9322 | 417 | 9323 | 331 | 48 | 2.55E-04 | GKS05 - 3A □□□ 056C22 MDSKA□□ 056-22 140 |
| 176 | 42 | 1.5 | 93.333 | 395 | 9322 | 470 | 9323 | 315 | 42 | 2.54E-04 | GKS05 - 3A □□□ 056C22 MDSKA□□ 056-22 140 |
| 203 | 37 | 1.3 | 107.196 | 453 | 9322 | 497 | 9323 | 331 | 37 | 2.49E-04 | GKS05 - 3A □□□ 056C22 MDSKA□□ 056-22 140 |
| 229 | 33 | 1.3 | 120.784 | 473 | 9322 | 473 | 9323 | 315 | 33 | 2.49E-04 | GKS05 - 3A □□□ 056C22 MDSKA□□ 056-22 140 |
| 247 | 30 | 1.2 | 130.097 | 497 | 9322 | 497 | 9323 | 331 | 30 | 2.47E-04 | GKS05 - 3A □□□ 056C22 MDSKA□□ 056-22 140 |
| 278 | 27 | 1.0 | 146.588 | 473 | 9322 | 473 | 9323 | 315 | 27 | 2.47E-04 | GKS05 - 3A □□□ 056C22 MDSKA□□ 056-22 140 |
| 25 | 590 | 4.1 | 6.863 | 82 | 9324 | 60 | 9324 | 147 | 422 | 1.02E-03 | GKS05 - 3A □□□ 071C22 MDSKA□□ 071-22 140 |
| 35 | 430 | 3.3 | 9.412 | 113 | 9324 | 82 | 9324 | 165 | 347 | 9.47E-04 | GKS05 - 3A □□□ 071C22 MDSKA□□ 071-22 140 |
| 39 | 383 | 4.1 | 10.569 | 127 | 9324 | 92 | 9324 | 227 | 274 | 9.90E-04 | GKS05 - 3A □□□ 071C22 MDSKA□□ 071-22 140 |
| 43 | 347 | 4.1 | 11.667 | 140 | 9324 | 102 | 9324 | 251 | 248 | 9.95E-04 | GKS05 - 3A □□□ 071C22 MDSKA□□ 071-22 140 |
| 49 | 307 | 2.4 | 13.176 | 158 | 9324 | 115 | 9324 | 165 | 266 | 9.01E-04 | GKS05 - 3A □□□ 071C22 MDSKA□□ 071-22 140 |
| 54 | 279 | 3.3 | 14.494 | 174 | 9324 | 127 | 9324 | 254 | 225 | 9.34E-04 | GKS05 - 3A □□□ 071C22 MDSKA□□ 071-22 140 |
| 59 | 253 | 3.3 | 16.000 | 192 | 9324 | 140 | 9324 | 280 | 204 | 9.34E-04 | GKS05 - 3A □□□ 071C22 MDSKA□□ 071-22 140 |
| 63 | 237 | 3.5 | 17.054 | 204 | 9324 | 149 | 9324 | 314 | 165 | 9.81E-04 | GKS05 - 3A □□□ 071C22 MDSKA□□ 071-22 140 |
| 72 | 211 | 2.9 | 19.216 | 230 | 9324 | 168 | 9324 | 297 | 141 | 9.77E-04 | GKS05 - 3A □□□ 071C22 MDSKA□□ 071-22 140 |
| 87 | 173 | 2.7 | 23.388 | 280 | 9324 | 204 | 9324 | 329 | 134 | 9.26E-04 | GKS05 - 3A □□□ 071C22 MDSKA□□ 071-22 140 |
| 99 | 154 | 2.1 | 26.353 | 315 | 9324 | 230 | 9324 | 298 | 113 | 9.25E-04 | GKS05 - 3A □□□ 071C22 MDSKA□□ 071-22 140 |
| 112 | 135 | 2.1 | 29.931 | 358 | 9324 | 262 | 9324 | 330 | 110 | 8.97E-04 | GKS05 - 3A □□□ 071C22 MDSKA□□ 071-22 140 |
| 123 | 124 | 1.9 | 32.744 | 392 | 9324 | 286 | 9324 | 331 | 102 | 8.88E-04 | GKS05 - 3A □□□ 071C22 MDSKA□□ 071-22 140 |
| 139 | 110 | 1.5 | 36.894 | 442 | 9324 | 322 | 9324 | 302 | 82 | 8.88E-04 | GKS05 - 3A □□□ 071C22 MDSKA□□ 071-22 140 |
| 158 | 97 | 1.5 | 41.765 | 497 | 9324 | 365 | 9324 | 331 | 84 | 8.72E-04 | GKS05 - 3A □□□ 071C22 MDSKA□□ 071-22 140 |
| 178 | 86 | 1.4 | 47.059 | 456 | 9324 | 411 | 9324 | 304 | 72 | 8.71E-04 | GKS05 - 3A □□□ 071C22 MDSKA□□ 071-22 140 |
| 194 | 79 | 1.4 | 51.162 | 497 | 9324 | 447 | 9324 | 331 | 74 | 8.62E-04 | GKS05 - 3A □□□ 071C22 MDSKA□□ 071-22 140 |

Observe the notes for thermal dimensioning.

Selection tables - Helical-bevel gearboxes

Naturally ventilated asynchronous geared servo motors



| M ₂ [Nm] | n _{2 trans} [rpm] | c | i | M _{2 max} short-time on geared motor at | | | | M _{2 Gr} gearbox c=1 n ₁ ≤ 1400 rpm [Nm] | n _{2 therm} [rpm] | J _{GM} referred to motor shaft [kgm ²] | Helical-bevel geared servo motor Dimensions on Page 6-88 |
|------------------------|-------------------------------|-----|--------|--|-------------|----------------------------|-------------|---|-------------------------------|--|---|
| | | | | 8 kHz | | 16 kHz | | | | | |
| | | | | M _{2 max} [Nm] | Type EVS | M _{2 max} [Nm] | Type EVS | | | | |
| 219 | 70 | 1.1 | 57.647 | 461 | 9324 | 461 | 9324 | 307 | 61 | 8.62E-04 | GKS05 - 3A □□□ 071C22 MDSKA□□ 071-22 140 |
| 253 | 61 | 1.1 | 66.592 | 497 | 9324 | 497 | 9324 | 331 | 61 | 8.50E-04 | GKS05 - 3A □□□ 071C22 MDSKA□□ 071-22 140 |
| 43 | 291 | 3.1 | 6.863 | 98 | 9323 | 138 | 9324 | 147 | 291 | 2.11E-03 | GKS05 - 3A □□□ 080C22 MDSKA□□ 080-22 70 |
| 59 | 213 | 2.5 | 9.412 | 135 | 9323 | 190 | 9324 | 165 | 213 | 2.04E-03 | GKS05 - 3A □□□ 080C22 MDSKA□□ 080-22 70 |
| 66 | 189 | 3.1 | 10.569 | 152 | 9323 | 213 | 9324 | 227 | 189 | 2.08E-03 | GKS05 - 3A □□□ 080C22 MDSKA□□ 080-22 70 |
| 73 | 171 | 3.1 | 11.667 | 167 | 9323 | 235 | 9324 | 251 | 171 | 2.08E-03 | GKS05 - 3A □□□ 080C22 MDSKA□□ 080-22 70 |
| 83 | 152 | 1.8 | 13.176 | 189 | 9323 | 248 | 9324 | 165 | 152 | 1.99E-03 | GKS05 - 3A □□□ 080C22 MDSKA□□ 080-22 70 |
| 91 | 138 | 2.5 | 14.494 | 208 | 9323 | 292 | 9324 | 254 | 138 | 2.02E-03 | GKS05 - 3A □□□ 080C22 MDSKA□□ 080-22 70 |
| 100 | 125 | 2.5 | 16.000 | 230 | 9323 | 322 | 9324 | 280 | 125 | 2.02E-03 | GKS05 - 3A □□□ 080C22 MDSKA□□ 080-22 70 |
| 107 | 117 | 2.6 | 17.054 | 245 | 9323 | 343 | 9324 | 314 | 117 | 2.07E-03 | GKS05 - 3A □□□ 080C22 MDSKA□□ 080-22 70 |
| 121 | 104 | 2.2 | 19.216 | 276 | 9323 | 387 | 9324 | 297 | 104 | 2.07E-03 | GKS05 - 3A □□□ 080C22 MDSKA□□ 080-22 70 |
| 147 | 86 | 2.0 | 23.388 | 336 | 9323 | 471 | 9324 | 329 | 86 | 2.02E-03 | GKS05 - 3A □□□ 080C22 MDSKA□□ 080-22 70 |
| 167 | 76 | 1.6 | 26.353 | 378 | 9323 | 447 | 9324 | 298 | 76 | 2.01E-03 | GKS05 - 3A □□□ 080C22 MDSKA□□ 080-22 70 |
| 189 | 67 | 1.6 | 29.931 | 429 | 9323 | 495 | 9324 | 330 | 67 | 1.99E-03 | GKS05 - 3A □□□ 080C22 MDSKA□□ 080-22 70 |
| 207 | 61 | 1.4 | 32.744 | 470 | 9323 | 497 | 9324 | 331 | 61 | 1.98E-03 | GKS05 - 3A □□□ 080C22 MDSKA□□ 080-22 70 |
| 234 | 54 | 1.2 | 36.894 | 453 | 9323 | 453 | 9324 | 302 | 54 | 1.98E-03 | GKS05 - 3A □□□ 080C22 MDSKA□□ 080-22 70 |
| 265 | 48 | 1.1 | 41.765 | 497 | 9323 | 497 | 9324 | 331 | 48 | 1.96E-03 | GKS05 - 3A □□□ 080C22 MDSKA□□ 080-22 70 |
| 299 | 43 | 1.0 | 47.059 | 456 | 9323 | 456 | 9324 | 304 | 43 | 1.96E-03 | GKS05 - 3A □□□ 080C22 MDSKA□□ 080-22 70 |
| 326 | 39 | 1.0 | 51.162 | 497 | 9323 | 497 | 9324 | 331 | 39 | 1.95E-03 | GKS05 - 3A □□□ 080C22 MDSKA□□ 080-22 70 |
| 34 | 597 | 3.0 | 6.863 | 86 | 9324 | 125 | 9325 | 147 | 397 | 2.11E-03 | GKS05 - 3A □□□ 080C22 MDSKA□□ 080-22 140 |
| 48 | 436 | 2.4 | 9.412 | 118 | 9324 | 171 | 9325 | 165 | 327 | 2.04E-03 | GKS05 - 3A □□□ 080C22 MDSKA□□ 080-22 140 |
| 53 | 388 | 3.0 | 10.569 | 133 | 9324 | 192 | 9325 | 227 | 258 | 2.08E-03 | GKS05 - 3A □□□ 080C22 MDSKA□□ 080-22 140 |
| 59 | 351 | 3.0 | 11.667 | 146 | 9324 | 212 | 9325 | 251 | 234 | 2.08E-03 | GKS05 - 3A □□□ 080C22 MDSKA□□ 080-22 140 |
| 67 | 311 | 1.8 | 13.176 | 165 | 9324 | 239 | 9325 | 165 | 242 | 1.99E-03 | GKS05 - 3A □□□ 080C22 MDSKA□□ 080-22 140 |
| 73 | 283 | 2.4 | 14.494 | 182 | 9324 | 263 | 9325 | 254 | 212 | 2.02E-03 | GKS05 - 3A □□□ 080C22 MDSKA□□ 080-22 140 |
| 81 | 256 | 2.4 | 16.000 | 201 | 9324 | 290 | 9325 | 280 | 192 | 2.02E-03 | GKS05 - 3A □□□ 080C22 MDSKA□□ 080-22 140 |
| 86 | 240 | 2.6 | 17.054 | 214 | 9324 | 309 | 9325 | 314 | 155 | 2.07E-03 | GKS05 - 3A □□□ 080C22 MDSKA□□ 080-22 140 |
| 97 | 213 | 2.2 | 19.216 | 241 | 9324 | 349 | 9325 | 297 | 132 | 2.07E-03 | GKS05 - 3A □□□ 080C22 MDSKA□□ 080-22 140 |
| 119 | 175 | 2.0 | 23.388 | 293 | 9324 | 424 | 9325 | 329 | 125 | 2.02E-03 | GKS05 - 3A □□□ 080C22 MDSKA□□ 080-22 140 |
| 134 | 156 | 1.6 | 26.353 | 330 | 9324 | 447 | 9325 | 298 | 98 | 2.01E-03 | GKS05 - 3A □□□ 080C22 MDSKA□□ 080-22 140 |
| 153 | 137 | 1.5 | 29.931 | 375 | 9324 | 495 | 9325 | 330 | 96 | 1.99E-03 | GKS05 - 3A □□□ 080C22 MDSKA□□ 080-22 140 |
| 167 | 125 | 1.4 | 32.744 | 411 | 9324 | 497 | 9325 | 331 | 88 | 1.98E-03 | GKS05 - 3A □□□ 080C22 MDSKA□□ 080-22 140 |
| 189 | 111 | 1.1 | 36.894 | 453 | 9324 | 453 | 9325 | 302 | 72 | 1.98E-03 | GKS05 - 3A □□□ 080C22 MDSKA□□ 080-22 140 |
| 214 | 98 | 1.1 | 41.765 | 497 | 9324 | 497 | 9325 | 331 | 73 | 1.96E-03 | GKS05 - 3A □□□ 080C22 MDSKA□□ 080-22 140 |

Observe the notes for thermal dimensioning.

Selection tables - Helical-bevel gearboxes

Naturally ventilated asynchronous geared servo motors

| M ₂ [Nm] | n ₂ trans [rpm] | c | i | M ₂ max short-time on geared motor at | | | | M ₂ Gr gearbox c=1 n ₁ ≤ 1400 rpm [Nm] | n ₂ therm [rpm] | J _{GM} referred to motor shaft [kgm ²] | Helical-bevel geared servo motor Dimensions on Page 6-88 |
|------------------------|-------------------------------|------------|----------------|---|-------------|----------------------------|-------------|--|-------------------------------|---|---|
| | | | | 8 kHz | | 16 kHz | | | | | |
| | | | | M ₂ max [Nm] | Type EVS | M ₂ max [Nm] | Type EVS | | | | |
| 241 | 87 | 1.0 | 47.059 | 456 | 9324 | 456 | 9325 | 304 | 63 | 1.96E-03 | GKS05 - 3A □□□ 080C22 MDSKA□□ 080-22 140 |
| 262 | 80 | 1.0 | 51.162 | 497 | 9324 | 497 | 9325 | 331 | 66 | 1.95E-03 | GKS05 - 3A □□□ 080C22 MDSKA□□ 080-22 140 |
| 215 | 34 | 1.1 | 114.987 | 385 | 9322 | 385 | 9323 | 256 | 34 | 2.60E-04 | GKS05 - 4A □□□ 056C22 MDSKA□□ 056-22 140 |
| 237 | 31 | 1.1 | 126.933 | 425 | 9322 | 425 | 9323 | 283 | 31 | 2.60E-04 | GKS05 - 4A □□□ 056C22 MDSKA□□ 056-22 140 |
| 105 | 68 | 5.2 | 57.882 | 245 | 9322 | 291 | 9323 | 695 | 68 | 2.98E-04 | GKS06 - 3A □□□ 056C22 MDSKA□□ 056-22 140 |
| 120 | 61 | 4.1 | 65.207 | 276 | 9322 | 328 | 9323 | 624 | 61 | 2.97E-04 | GKS06 - 3A □□□ 056C22 MDSKA□□ 056-22 140 |
| 132 | 55 | 4.2 | 72.000 | 304 | 9322 | 363 | 9323 | 702 | 55 | 2.82E-04 | GKS06 - 3A □□□ 056C22 MDSKA□□ 056-22 140 |
| 150 | 49 | 3.4 | 81.111 | 343 | 9322 | 408 | 9323 | 630 | 49 | 2.82E-04 | GKS06 - 3A □□□ 056C22 MDSKA□□ 056-22 140 |
| 173 | 42 | 3.3 | 93.176 | 394 | 9322 | 469 | 9323 | 702 | 42 | 2.66E-04 | GKS06 - 3A □□□ 056C22 MDSKA□□ 056-22 140 |
| 196 | 38 | 2.6 | 104.967 | 444 | 9322 | 528 | 9323 | 635 | 38 | 2.65E-04 | GKS06 - 3A □□□ 056C22 MDSKA□□ 056-22 140 |
| 210 | 35 | 3.0 | 113.082 | 478 | 9322 | 569 | 9323 | 702 | 35 | 2.59E-04 | GKS06 - 3A □□□ 056C22 MDSKA□□ 056-22 140 |
| 238 | 31 | 2.4 | 127.392 | 539 | 9322 | 641 | 9323 | 635 | 31 | 2.59E-04 | GKS06 - 3A □□□ 056C22 MDSKA□□ 056-22 140 |
| 268 | 28 | 2.4 | 142.941 | 604 | 9322 | 720 | 9323 | 702 | 28 | 2.52E-04 | GKS06 - 3A □□□ 056C22 MDSKA□□ 056-22 140 |
| 303 | 25 | 1.9 | 161.029 | 681 | 9322 | 811 | 9323 | 635 | 25 | 2.52E-04 | GKS06 - 3A □□□ 056C22 MDSKA□□ 056-22 140 |
| 358 | 21 | 1.8 | 190.080 | 803 | 9322 | 957 | 9323 | 702 | 21 | 2.63E-04 | GKS06 - 3A □□□ 056C22 MDSKA□□ 056-22 140 |
| 405 | 18 | 1.4 | 214.133 | 905 | 9322 | 953 | 9323 | 635 | 18 | 2.63E-04 | GKS06 - 3A □□□ 056C22 MDSKA□□ 056-22 140 |
| 436 | 17 | 1.5 | 230.688 | 975 | 9322 | 1053 | 9323 | 702 | 17 | 2.57E-04 | GKS06 - 3A □□□ 056C22 MDSKA□□ 056-22 140 |
| 493 | 15 | 1.2 | 259.880 | 953 | 9322 | 953 | 9323 | 635 | 15 | 2.57E-04 | GKS06 - 3A □□□ 056C22 MDSKA□□ 056-22 140 |
| 553 | 14 | 1.2 | 291.600 | 1053 | 9322 | 1053 | 9323 | 702 | 14 | 2.51E-04 | GKS06 - 3A □□□ 056C22 MDSKA□□ 056-22 140 |
| 41 | 356 | 5.5 | 11.382 | 136 | 9324 | 100 | 9324 | 331 | 306 | 1.08E-03 | GKS06 - 3A □□□ 071C22 MDSKA□□ 071-22 140 |
| 64 | 227 | 5.5 | 17.809 | 213 | 9324 | 156 | 9324 | 518 | 196 | 1.04E-03 | GKS06 - 3A □□□ 071C22 MDSKA□□ 071-22 140 |
| 95 | 156 | 4.9 | 26.017 | 311 | 9324 | 227 | 9324 | 679 | 131 | 1.02E-03 | GKS06 - 3A □□□ 071C22 MDSKA□□ 071-22 140 |
| 104 | 142 | 4.5 | 28.461 | 341 | 9324 | 249 | 9324 | 682 | 122 | 9.97E-04 | GKS06 - 3A □□□ 071C22 MDSKA□□ 071-22 140 |
| 118 | 126 | 3.6 | 32.063 | 384 | 9324 | 280 | 9324 | 610 | 104 | 9.93E-04 | GKS06 - 3A □□□ 071C22 MDSKA□□ 071-22 140 |
| 134 | 112 | 3.6 | 36.303 | 435 | 9324 | 317 | 9324 | 685 | 101 | 9.48E-04 | GKS06 - 3A □□□ 071C22 MDSKA□□ 071-22 140 |
| 165 | 91 | 3.3 | 44.471 | 532 | 9324 | 389 | 9324 | 689 | 91 | 9.20E-04 | GKS06 - 3A □□□ 071C22 MDSKA□□ 071-22 140 |
| 198 | 76 | 2.8 | 53.074 | 635 | 9324 | 464 | 9324 | 695 | 58 | 9.82E-04 | GKS06 - 3A □□□ 071C22 MDSKA□□ 071-22 140 |
| 216 | 70 | 2.6 | 57.882 | 693 | 9324 | 506 | 9324 | 695 | 70 | 8.88E-04 | GKS06 - 3A □□□ 071C22 MDSKA□□ 071-22 140 |
| 245 | 62 | 2.1 | 65.207 | 780 | 9324 | 570 | 9324 | 624 | 62 | 8.87E-04 | GKS06 - 3A □□□ 071C22 MDSKA□□ 071-22 140 |
| 270 | 56 | 2.1 | 72.000 | 862 | 9324 | 629 | 9324 | 702 | 56 | 8.72E-04 | GKS06 - 3A □□□ 071C22 MDSKA□□ 071-22 140 |
| 306 | 50 | 1.7 | 81.111 | 945 | 9324 | 709 | 9324 | 630 | 50 | 8.72E-04 | GKS06 - 3A □□□ 071C22 MDSKA□□ 071-22 140 |
| 352 | 43 | 1.6 | 93.176 | 1053 | 9324 | 814 | 9324 | 702 | 43 | 8.56E-04 | GKS06 - 3A □□□ 071C22 MDSKA□□ 071-22 140 |
| 398 | 39 | 1.3 | 104.967 | 953 | 9324 | 917 | 9324 | 635 | 39 | 8.55E-04 | GKS06 - 3A □□□ 071C22 MDSKA□□ 071-22 140 |
| 427 | 36 | 1.5 | 113.082 | 1053 | 9324 | 988 | 9324 | 702 | 36 | 8.49E-04 | GKS06 - 3A □□□ 071C22 MDSKA□□ 071-22 140 |

Observe the notes for thermal dimensioning.

Selection tables - Helical-bevel gearboxes

Naturally ventilated asynchronous geared servo motors



| M ₂ [Nm] | n ₂ trans [rpm] | c | i | M ₂ max short-time on geared motor at | | | | M ₂ Gr gearbox c=1 n ₁ ≤ 1400 rpm [Nm] | n ₂ therm [rpm] | J _{GM} referred to motor shaft [kgm ²] | Helical-bevel geared servo motor Dimensions on Page 6-88 |
|------------------------|-------------------------------|-----|---------|---|-------------|----------------------------|-------------|--|-------------------------------|---|---|
| | | | | 8 kHz | | 16 kHz | | | | | |
| | | | | M ₂ max [Nm] | Type EVS | M ₂ max [Nm] | Type EVS | | | | |
| 483 | 32 | 1.2 | 127.392 | 953 | 9324 | 953 | 9324 | 635 | 32 | 8.49E-04 | GKS06 - 3A □□□ 071C22 MDSKA□□ 071-22 140 |
| 39 | 308 | 5.8 | 6.485 | 93 | 9323 | 131 | 9324 | 263 | 308 | 2.51E-03 | GKS06 - 3A □□□ 080C22 MDSKA□□ 080-22 70 |
| 56 | 217 | 5.8 | 9.196 | 132 | 9323 | 185 | 9324 | 373 | 217 | 2.42E-03 | GKS06 - 3A □□□ 080C22 MDSKA□□ 080-22 70 |
| 61 | 197 | 5.8 | 10.147 | 146 | 9323 | 204 | 9324 | 412 | 197 | 2.41E-03 | GKS06 - 3A □□□ 080C22 MDSKA□□ 080-22 70 |
| 70 | 176 | 4.2 | 11.382 | 163 | 9323 | 229 | 9324 | 331 | 176 | 2.17E-03 | GKS06 - 3A □□□ 080C22 MDSKA□□ 080-22 70 |
| 77 | 159 | 4.8 | 12.612 | 181 | 9323 | 254 | 9324 | 426 | 159 | 2.24E-03 | GKS06 - 3A □□□ 080C22 MDSKA□□ 080-22 70 |
| 90 | 135 | 5.8 | 14.824 | 213 | 9323 | 299 | 9324 | 600 | 135 | 2.35E-03 | GKS06 - 3A □□□ 080C22 MDSKA□□ 080-22 70 |
| 102 | 120 | 5.2 | 16.699 | 240 | 9323 | 336 | 9324 | 604 | 120 | 2.34E-03 | GKS06 - 3A □□□ 080C22 MDSKA□□ 080-22 70 |
| 110 | 112 | 4.2 | 17.809 | 255 | 9323 | 359 | 9324 | 518 | 112 | 2.13E-03 | GKS06 - 3A □□□ 080C22 MDSKA□□ 080-22 70 |
| 124 | 98 | 4.7 | 20.329 | 292 | 9323 | 409 | 9324 | 665 | 98 | 2.20E-03 | GKS06 - 3A □□□ 080C22 MDSKA□□ 080-22 70 |
| 141 | 87 | 3.8 | 22.902 | 329 | 9323 | 461 | 9324 | 606 | 87 | 2.19E-03 | GKS06 - 3A □□□ 080C22 MDSKA□□ 080-22 70 |
| 161 | 77 | 3.7 | 26.017 | 373 | 9323 | 524 | 9324 | 679 | 77 | 2.11E-03 | GKS06 - 3A □□□ 080C22 MDSKA□□ 080-22 70 |
| 177 | 70 | 3.4 | 28.461 | 408 | 9323 | 573 | 9324 | 682 | 70 | 2.09E-03 | GKS06 - 3A □□□ 080C22 MDSKA□□ 080-22 70 |
| 200 | 62 | 2.7 | 32.063 | 460 | 9323 | 646 | 9324 | 610 | 62 | 2.08E-03 | GKS06 - 3A □□□ 080C22 MDSKA□□ 080-22 70 |
| 227 | 55 | 2.7 | 36.303 | 521 | 9323 | 731 | 9324 | 685 | 55 | 2.04E-03 | GKS06 - 3A □□□ 080C22 MDSKA□□ 080-22 70 |
| 260 | 48 | 2.4 | 41.472 | 595 | 9323 | 835 | 9324 | 689 | 48 | 2.13E-03 | GKS06 - 3A □□□ 080C22 MDSKA□□ 080-22 70 |
| 279 | 45 | 2.4 | 44.471 | 638 | 9323 | 896 | 9324 | 689 | 45 | 2.01E-03 | GKS06 - 3A □□□ 080C22 MDSKA□□ 080-22 70 |
| 334 | 38 | 2.1 | 53.074 | 761 | 9323 | 1043 | 9324 | 695 | 38 | 2.07E-03 | GKS06 - 3A □□□ 080C22 MDSKA□□ 080-22 70 |
| 365 | 35 | 1.9 | 57.882 | 830 | 9323 | 1043 | 9324 | 695 | 35 | 1.98E-03 | GKS06 - 3A □□□ 080C22 MDSKA□□ 080-22 70 |
| 413 | 31 | 1.5 | 65.207 | 935 | 9323 | 936 | 9324 | 624 | 31 | 1.98E-03 | GKS06 - 3A □□□ 080C22 MDSKA□□ 080-22 70 |
| 456 | 28 | 1.5 | 72.000 | 1033 | 9323 | 1053 | 9324 | 702 | 28 | 1.96E-03 | GKS06 - 3A □□□ 080C22 MDSKA□□ 080-22 70 |
| 515 | 25 | 1.2 | 81.111 | 945 | 9323 | 945 | 9324 | 630 | 25 | 1.96E-03 | GKS06 - 3A □□□ 080C22 MDSKA□□ 080-22 70 |
| 32 | 632 | 5.7 | 6.485 | 81 | 9324 | 118 | 9325 | 263 | 404 | 2.51E-03 | GKS06 - 3A □□□ 080C22 MDSKA□□ 080-22 140 |
| 45 | 446 | 5.7 | 9.196 | 115 | 9324 | 167 | 9325 | 373 | 285 | 2.42E-03 | GKS06 - 3A □□□ 080C22 MDSKA□□ 080-22 140 |
| 49 | 404 | 5.7 | 10.147 | 127 | 9324 | 184 | 9325 | 412 | 258 | 2.41E-03 | GKS06 - 3A □□□ 080C22 MDSKA□□ 080-22 140 |
| 57 | 360 | 4.1 | 11.382 | 143 | 9324 | 207 | 9325 | 331 | 289 | 2.17E-03 | GKS06 - 3A □□□ 080C22 MDSKA□□ 080-22 140 |
| 62 | 325 | 4.7 | 12.612 | 158 | 9324 | 229 | 9325 | 426 | 232 | 2.24E-03 | GKS06 - 3A □□□ 080C22 MDSKA□□ 080-22 140 |
| 72 | 277 | 5.6 | 14.824 | 186 | 9324 | 269 | 9325 | 600 | 177 | 2.35E-03 | GKS06 - 3A □□□ 080C22 MDSKA□□ 080-22 140 |
| 82 | 246 | 5.0 | 16.699 | 209 | 9324 | 303 | 9325 | 604 | 153 | 2.34E-03 | GKS06 - 3A □□□ 080C22 MDSKA□□ 080-22 140 |
| 88 | 230 | 4.1 | 17.809 | 223 | 9324 | 323 | 9325 | 518 | 185 | 2.13E-03 | GKS06 - 3A □□□ 080C22 MDSKA□□ 080-22 140 |
| 100 | 202 | 4.6 | 20.329 | 255 | 9324 | 369 | 9325 | 665 | 143 | 2.20E-03 | GKS06 - 3A □□□ 080C22 MDSKA□□ 080-22 140 |
| 114 | 179 | 3.7 | 22.902 | 287 | 9324 | 416 | 9325 | 606 | 122 | 2.19E-03 | GKS06 - 3A □□□ 080C22 MDSKA□□ 080-22 140 |
| 130 | 158 | 3.6 | 26.017 | 326 | 9324 | 472 | 9325 | 679 | 124 | 2.11E-03 | GKS06 - 3A □□□ 080C22 MDSKA□□ 080-22 140 |
| 142 | 144 | 3.3 | 28.461 | 357 | 9324 | 516 | 9325 | 682 | 115 | 2.09E-03 | GKS06 - 3A □□□ 080C22 MDSKA□□ 080-22 140 |

Observe the notes for thermal dimensioning.

Selection tables - Helical-bevel gearboxes

Naturally ventilated asynchronous geared servo motors

| M ₂ [Nm] | n ₂ trans [rpm] | c | i | M ₂ max short-time on geared motor at | | | | M ₂ Gr gearbox c=1 n ₁ ≤ 1400 rpm [Nm] | n ₂ therm [rpm] | J _{GM} referred to motor shaft [kgm ²] | Helical-bevel geared servo motor Dimensions on Page 6-88 |
|------------------------|-------------------------------|-----|--------|---|-------------|----------------------------|-------------|--|-------------------------------|---|---|
| | | | | 8 kHz | | 16 kHz | | | | | |
| | | | | M ₂ max [Nm] | Type EVS | M ₂ max [Nm] | Type EVS | | | | |
| 162 | 128 | 2.7 | 32.063 | 402 | 9324 | 582 | 9325 | 610 | 98 | 2.08E-03 | GKS06 - 3A □□□ 080C22 MDSKA□□ 080-22 140 |
| 183 | 113 | 2.6 | 36.303 | 455 | 9324 | 659 | 9325 | 685 | 96 | 2.04E-03 | GKS06 - 3A □□□ 080C22 MDSKA□□ 080-22 140 |
| 210 | 99 | 2.3 | 41.472 | 520 | 9324 | 752 | 9325 | 689 | 61 | 2.13E-03 | GKS06 - 3A □□□ 080C22 MDSKA□□ 080-22 140 |
| 225 | 92 | 2.5 | 44.471 | 558 | 9324 | 807 | 9325 | 689 | 81 | 2.01E-03 | GKS06 - 3A □□□ 080C22 MDSKA□□ 080-22 140 |
| 269 | 77 | 2.1 | 53.074 | 666 | 9324 | 963 | 9325 | 695 | 54 | 2.07E-03 | GKS06 - 3A □□□ 080C22 MDSKA□□ 080-22 140 |
| 294 | 71 | 1.9 | 57.882 | 726 | 9324 | 1043 | 9325 | 695 | 62 | 1.98E-03 | GKS06 - 3A □□□ 080C22 MDSKA□□ 080-22 140 |
| 333 | 63 | 1.5 | 65.207 | 818 | 9324 | 936 | 9325 | 624 | 55 | 1.98E-03 | GKS06 - 3A □□□ 080C22 MDSKA□□ 080-22 140 |
| 367 | 57 | 1.5 | 72.000 | 903 | 9324 | 1053 | 9325 | 702 | 50 | 1.96E-03 | GKS06 - 3A □□□ 080C22 MDSKA□□ 080-22 140 |
| 415 | 51 | 1.2 | 81.111 | 945 | 9324 | 945 | 9325 | 630 | 44 | 1.96E-03 | GKS06 - 3A □□□ 080C22 MDSKA□□ 080-22 140 |
| 65 | 355 | 3.4 | 6.485 | 150 | 9324 | 213 | 9325 | 263 | 355 | 4.19E-03 | GKS06 - 3A □□□ 090C22 MDSKA□□ 090-22 80 |
| 92 | 250 | 3.4 | 9.196 | 213 | 9324 | 301 | 9325 | 373 | 250 | 4.10E-03 | GKS06 - 3A □□□ 090C22 MDSKA□□ 090-22 80 |
| 101 | 227 | 3.4 | 10.147 | 235 | 9324 | 333 | 9325 | 412 | 227 | 4.09E-03 | GKS06 - 3A □□□ 090C22 MDSKA□□ 090-22 80 |
| 115 | 202 | 2.5 | 11.382 | 264 | 9324 | 373 | 9325 | 331 | 202 | 3.85E-03 | GKS06 - 3A □□□ 090C22 MDSKA□□ 090-22 80 |
| 127 | 182 | 2.9 | 12.612 | 292 | 9324 | 413 | 9325 | 426 | 182 | 3.92E-03 | GKS06 - 3A □□□ 090C22 MDSKA□□ 090-22 80 |
| 148 | 155 | 3.4 | 14.824 | 344 | 9324 | 486 | 9325 | 600 | 155 | 4.03E-03 | GKS06 - 3A □□□ 090C22 MDSKA□□ 090-22 80 |
| 168 | 138 | 3.1 | 16.699 | 387 | 9324 | 547 | 9325 | 604 | 138 | 4.02E-03 | GKS06 - 3A □□□ 090C22 MDSKA□□ 090-22 80 |
| 180 | 129 | 2.5 | 17.809 | 413 | 9324 | 584 | 9325 | 518 | 129 | 3.81E-03 | GKS06 - 3A □□□ 090C22 MDSKA□□ 090-22 80 |
| 205 | 113 | 2.8 | 20.329 | 471 | 9324 | 666 | 9325 | 665 | 113 | 3.88E-03 | GKS06 - 3A □□□ 090C22 MDSKA□□ 090-22 80 |
| 232 | 100 | 2.2 | 22.902 | 531 | 9324 | 751 | 9325 | 606 | 100 | 3.87E-03 | GKS06 - 3A □□□ 090C22 MDSKA□□ 090-22 80 |
| 264 | 88 | 2.2 | 26.017 | 603 | 9324 | 853 | 9325 | 679 | 88 | 3.79E-03 | GKS06 - 3A □□□ 090C22 MDSKA□□ 090-22 80 |
| 289 | 81 | 2.0 | 28.461 | 660 | 9324 | 933 | 9325 | 682 | 81 | 3.77E-03 | GKS06 - 3A □□□ 090C22 MDSKA□□ 090-22 80 |
| 327 | 72 | 1.6 | 32.063 | 743 | 9324 | 915 | 9325 | 610 | 72 | 3.76E-03 | GKS06 - 3A □□□ 090C22 MDSKA□□ 090-22 80 |
| 370 | 63 | 1.6 | 36.303 | 841 | 9324 | 1028 | 9325 | 685 | 63 | 3.72E-03 | GKS06 - 3A □□□ 090C22 MDSKA□□ 090-22 80 |
| 424 | 55 | 1.4 | 41.472 | 961 | 9324 | 1034 | 9325 | 689 | 49 | 3.81E-03 | GKS06 - 3A □□□ 090C22 MDSKA□□ 090-22 80 |
| 454 | 52 | 1.5 | 44.471 | 1031 | 9324 | 1034 | 9325 | 689 | 52 | 3.69E-03 | GKS06 - 3A □□□ 090C22 MDSKA□□ 090-22 80 |
| 543 | 43 | 1.3 | 53.074 | 1043 | 9324 | 1043 | 9325 | 695 | 41 | 3.75E-03 | GKS06 - 3A □□□ 090C22 MDSKA□□ 090-22 80 |
| 57 | 634 | 3.2 | 6.485 | 144 | 9325 | 173 | 9326 | 263 | 359 | 4.19E-03 | GKS06 - 3A □□□ 090C22 MDSKA□□ 090-22 140 |
| 81 | 447 | 3.2 | 9.196 | 204 | 9325 | 245 | 9326 | 373 | 253 | 4.10E-03 | GKS06 - 3A □□□ 090C22 MDSKA□□ 090-22 140 |
| 89 | 405 | 3.2 | 10.147 | 226 | 9325 | 270 | 9326 | 412 | 230 | 4.09E-03 | GKS06 - 3A □□□ 090C22 MDSKA□□ 090-22 140 |
| 101 | 361 | 2.3 | 11.382 | 253 | 9325 | 303 | 9326 | 331 | 257 | 3.85E-03 | GKS06 - 3A □□□ 090C22 MDSKA□□ 090-22 140 |
| 112 | 326 | 2.7 | 12.612 | 280 | 9325 | 335 | 9326 | 426 | 207 | 3.92E-03 | GKS06 - 3A □□□ 090C22 MDSKA□□ 090-22 140 |
| 131 | 277 | 3.2 | 14.824 | 330 | 9325 | 394 | 9326 | 600 | 157 | 4.03E-03 | GKS06 - 3A □□□ 090C22 MDSKA□□ 090-22 140 |
| 148 | 246 | 2.9 | 16.699 | 371 | 9325 | 444 | 9326 | 604 | 136 | 4.02E-03 | GKS06 - 3A □□□ 090C22 MDSKA□□ 090-22 140 |
| 158 | 231 | 2.3 | 17.809 | 396 | 9325 | 474 | 9326 | 518 | 165 | 3.81E-03 | GKS06 - 3A □□□ 090C22 MDSKA□□ 090-22 140 |

Observe the notes for thermal dimensioning.

Selection tables - Helical-bevel gearboxes

Naturally ventilated asynchronous geared servo motors



| M ₂ [Nm] | n _{2 trans} [rpm] | c | i | M _{2 max} short-time on geared motor at | | | | M _{2 Gr} gearbox c=1 n ₁ ≤1400 rpm [Nm] | n _{2 therm} [rpm] | J _{GM} referred to motor shaft [kgm ²] | Helical-bevel geared servo motor Dimensions on Page 6-88 |
|------------------------|-------------------------------|------------|----------------|---|-------------|----------------------------|-------------|---|-------------------------------|---|---|
| | | | | 8 kHz | | 16 kHz | | | | | |
| | | | | M _{2 max} [Nm] | Type EVS | M _{2 max} [Nm] | Type EVS | | | | |
| 180 | 202 | 2.6 | 20.329 | 452 | 9325 | 541 | 9326 | 665 | 127 | 3.88E-03 | GKS06 - 3A □□□ 090C22 MDSKA□□ 090-22 140 |
| 204 | 179 | 2.1 | 22.902 | 509 | 9325 | 609 | 9326 | 606 | 108 | 3.87E-03 | GKS06 - 3A □□□ 090C22 MDSKA□□ 090-22 140 |
| 232 | 158 | 2.1 | 26.017 | 578 | 9325 | 692 | 9326 | 679 | 110 | 3.79E-03 | GKS06 - 3A □□□ 090C22 MDSKA□□ 090-22 140 |
| 254 | 144 | 1.9 | 28.461 | 633 | 9325 | 757 | 9326 | 682 | 101 | 3.77E-03 | GKS06 - 3A □□□ 090C22 MDSKA□□ 090-22 140 |
| 288 | 128 | 1.5 | 32.063 | 713 | 9325 | 853 | 9326 | 610 | 79 | 3.76E-03 | GKS06 - 3A □□□ 090C22 MDSKA□□ 090-22 140 |
| 326 | 113 | 1.5 | 36.303 | 807 | 9325 | 966 | 9326 | 685 | 79 | 3.72E-03 | GKS06 - 3A □□□ 090C22 MDSKA□□ 090-22 140 |
| 373 | 99 | 1.3 | 41.472 | 922 | 9325 | 1034 | 9326 | 689 | 47 | 3.81E-03 | GKS06 - 3A □□□ 090C22 MDSKA□□ 090-22 140 |
| 400 | 92 | 1.4 | 44.471 | 988 | 9325 | 1034 | 9326 | 689 | 70 | 3.69E-03 | GKS06 - 3A □□□ 090C22 MDSKA□□ 090-22 140 |
| 478 | 77 | 1.2 | 53.074 | 1043 | 9325 | 1043 | 9326 | 695 | 40 | 3.75E-03 | GKS06 - 3A □□□ 090C22 MDSKA□□ 090-22 140 |
| 190 | 38 | 2.9 | 103.721 | 431 | 9322 | 513 | 9323 | 685 | 38 | 2.70E-04 | GKS06 - 4A □□□ 056C22 MDSKA□□ 056-22 140 |
| 208 | 35 | 2.3 | 113.205 | 470 | 9322 | 560 | 9323 | 537 | 35 | 2.63E-04 | GKS06 - 4A □□□ 056C22 MDSKA□□ 056-22 140 |
| 233 | 31 | 2.6 | 127.059 | 528 | 9322 | 629 | 9323 | 689 | 31 | 2.66E-04 | GKS06 - 4A □□□ 056C22 MDSKA□□ 056-22 140 |
| 261 | 28 | 1.9 | 140.816 | 585 | 9322 | 697 | 9323 | 537 | 28 | 2.61E-04 | GKS06 - 4A □□□ 056C22 MDSKA□□ 056-22 140 |
| 287 | 25 | 2.2 | 155.647 | 647 | 9322 | 770 | 9323 | 689 | 25 | 2.59E-04 | GKS06 - 4A □□□ 056C22 MDSKA□□ 056-22 140 |
| 324 | 23 | 1.5 | 174.336 | 724 | 9322 | 806 | 9323 | 537 | 23 | 2.51E-04 | GKS06 - 4A □□□ 056C22 MDSKA□□ 056-22 140 |
| 376 | 20 | 1.7 | 202.588 | 842 | 9322 | 1003 | 9323 | 695 | 20 | 2.57E-04 | GKS06 - 4A □□□ 056C22 MDSKA□□ 056-22 140 |
| 419 | 18 | 1.2 | 224.524 | 806 | 9322 | 806 | 9323 | 537 | 18 | 2.47E-04 | GKS06 - 4A □□□ 056C22 MDSKA□□ 056-22 140 |
| 469 | 16 | 1.4 | 252.000 | 1047 | 9322 | 1053 | 9323 | 702 | 16 | 2.55E-04 | GKS06 - 4A □□□ 056C22 MDSKA□□ 056-22 140 |
| 591 | 12 | 1.1 | 316.800 | 1053 | 9322 | 1053 | 9323 | 702 | 12 | 2.50E-04 | GKS06 - 4A □□□ 056C22 MDSKA□□ 056-22 140 |
| 386 | 39 | 1.4 | 103.721 | 1028 | 9324 | 891 | 9324 | 685 | 39 | 8.60E-04 | GKS06 - 4A □□□ 071C22 MDSKA□□ 071-22 140 |
| 422 | 36 | 1.1 | 113.205 | 806 | 9324 | 806 | 9324 | 537 | 36 | 8.53E-04 | GKS06 - 4A □□□ 071C22 MDSKA□□ 071-22 140 |
| 473 | 32 | 1.3 | 127.059 | 1034 | 9324 | 1034 | 9324 | 689 | 32 | 8.56E-04 | GKS06 - 4A □□□ 071C22 MDSKA□□ 071-22 140 |
| 581 | 26 | 1.1 | 155.647 | 1034 | 9324 | 1034 | 9324 | 689 | 26 | 8.49E-04 | GKS06 - 4A □□□ 071C22 MDSKA□□ 071-22 140 |
| 190 | 38 | 5.0 | 104.296 | 441 | 9322 | 525 | 9323 | 1215 | 38 | 3.20E-04 | GKS07 - 3A □□□ 056C22 MDSKA□□ 056-22 140 |
| 203 | 35 | 5.7 | 112.338 | 475 | 9322 | 566 | 9323 | 1330 | 35 | 2.99E-04 | GKS07 - 3A □□□ 056C22 MDSKA□□ 056-22 140 |
| 231 | 31 | 4.6 | 126.578 | 535 | 9322 | 637 | 9323 | 1215 | 31 | 2.99E-04 | GKS07 - 3A □□□ 056C22 MDSKA□□ 056-22 140 |
| 342 | 21 | 3.5 | 184.600 | 780 | 9322 | 929 | 9323 | 1330 | 21 | 3.09E-04 | GKS07 - 3A □□□ 056C22 MDSKA□□ 056-22 140 |
| 388 | 19 | 2.8 | 208.000 | 879 | 9322 | 1047 | 9323 | 1215 | 19 | 3.09E-04 | GKS07 - 3A □□□ 056C22 MDSKA□□ 056-22 140 |
| 417 | 18 | 2.9 | 224.037 | 947 | 9322 | 1128 | 9323 | 1330 | 18 | 2.91E-04 | GKS07 - 3A □□□ 056C22 MDSKA□□ 056-22 140 |
| 473 | 16 | 2.3 | 252.436 | 1067 | 9322 | 1271 | 9323 | 1215 | 16 | 2.91E-04 | GKS07 - 3A □□□ 056C22 MDSKA□□ 056-22 140 |
| 531 | 14 | 2.3 | 283.193 | 1197 | 9322 | 1426 | 9323 | 1330 | 14 | 2.73E-04 | GKS07 - 3A □□□ 056C22 MDSKA□□ 056-22 140 |
| 601 | 12 | 1.8 | 319.091 | 1349 | 9322 | 1606 | 9323 | 1215 | 12 | 2.73E-04 | GKS07 - 3A □□□ 056C22 MDSKA□□ 056-22 140 |
| 210 | 70 | 4.9 | 57.501 | 688 | 9324 | 503 | 9324 | 1310 | 70 | 1.00E-03 | GKS07 - 3A □□□ 071C22 MDSKA□□ 071-22 140 |
| 238 | 63 | 4.0 | 64.790 | 775 | 9324 | 566 | 9324 | 1195 | 63 | 1.00E-03 | GKS07 - 3A □□□ 071C22 MDSKA□□ 071-22 140 |

Observe the notes for thermal dimensioning.

Selection tables - Helical-bevel gearboxes

Naturally ventilated asynchronous geared servo motors

| M ₂ [Nm] | n _{2 trans} [rpm] | c | i | M _{2 max} short-time on geared motor at | | | | M _{2 Gr} gearbox c=1 n ₁ ≤ 1400 rpm [Nm] | n _{2 therm} [rpm] | J _{GM} referred to motor shaft [kgm ²] | Helical-bevel geared servo motor Dimensions on Page 6-88 |
|------------------------|-------------------------------|-----|---------|---|-------------|----------------------------|-------------|--|-------------------------------|---|---|
| | | | | 8 kHz | | 16 kHz | | | | | |
| | | | | M _{2 max} [Nm] | Type EVS | M _{2 max} [Nm] | Type EVS | | | | |
| 259 | 57 | 4.0 | 70.474 | 844 | 9324 | 616 | 9324 | 1320 | 57 | 9.59E-04 | GKS07 - 3A □□□ 071C22 MDSKA□□ 071-22 140 |
| 295 | 51 | 3.3 | 79.407 | 950 | 9324 | 694 | 9324 | 1205 | 51 | 9.58E-04 | GKS07 - 3A □□□ 071C22 MDSKA□□ 071-22 140 |
| 344 | 44 | 3.1 | 92.563 | 1108 | 9324 | 809 | 9324 | 1330 | 44 | 9.11E-04 | GKS07 - 3A □□□ 071C22 MDSKA□□ 071-22 140 |
| 390 | 39 | 2.5 | 104.296 | 1248 | 9324 | 911 | 9324 | 1215 | 39 | 9.10E-04 | GKS07 - 3A □□□ 071C22 MDSKA□□ 071-22 140 |
| 419 | 36 | 2.8 | 112.338 | 1345 | 9324 | 982 | 9324 | 1330 | 36 | 8.89E-04 | GKS07 - 3A □□□ 071C22 MDSKA□□ 071-22 140 |
| 474 | 32 | 2.3 | 126.578 | 1515 | 9324 | 1106 | 9324 | 1215 | 32 | 8.89E-04 | GKS07 - 3A □□□ 071C22 MDSKA□□ 071-22 140 |
| 527 | 29 | 2.3 | 140.548 | 1682 | 9324 | 1228 | 9324 | 1330 | 29 | 9.41E-04 | GKS07 - 3A □□□ 071C22 MDSKA□□ 071-22 140 |
| 596 | 26 | 1.8 | 158.364 | 1823 | 9324 | 1384 | 9324 | 1215 | 26 | 9.41E-04 | GKS07 - 3A □□□ 071C22 MDSKA□□ 071-22 140 |
| 696 | 22 | 1.7 | 184.600 | 1995 | 9324 | 1613 | 9324 | 1330 | 22 | 8.99E-04 | GKS07 - 3A □□□ 071C22 MDSKA□□ 071-22 140 |
| 787 | 19 | 1.4 | 208.000 | 1823 | 9324 | 1818 | 9324 | 1215 | 19 | 8.99E-04 | GKS07 - 3A □□□ 071C22 MDSKA□□ 071-22 140 |
| 848 | 18 | 1.4 | 224.037 | 1995 | 9324 | 1958 | 9324 | 1330 | 18 | 8.81E-04 | GKS07 - 3A □□□ 071C22 MDSKA□□ 071-22 140 |
| 958 | 16 | 1.1 | 252.436 | 1823 | 9324 | 1823 | 9324 | 1215 | 16 | 8.81E-04 | GKS07 - 3A □□□ 071C22 MDSKA□□ 071-22 140 |
| 1075 | 14 | 1.1 | 283.193 | 1995 | 9324 | 1995 | 9324 | 1330 | 14 | 8.63E-04 | GKS07 - 3A □□□ 071C22 MDSKA□□ 071-22 140 |
| 194 | 63 | 5.3 | 31.858 | 457 | 9323 | 642 | 9324 | 1172 | 63 | 2.47E-03 | GKS07 - 3A □□□ 080C22 MDSKA□□ 080-22 70 |
| 220 | 55 | 5.1 | 36.063 | 517 | 9323 | 726 | 9324 | 1290 | 55 | 2.28E-03 | GKS07 - 3A □□□ 080C22 MDSKA□□ 080-22 70 |
| 270 | 45 | 4.6 | 44.178 | 634 | 9323 | 890 | 9324 | 1300 | 45 | 2.20E-03 | GKS07 - 3A □□□ 080C22 MDSKA□□ 080-22 70 |
| 310 | 40 | 4.1 | 50.345 | 722 | 9323 | 1014 | 9324 | 1300 | 40 | 2.45E-03 | GKS07 - 3A □□□ 080C22 MDSKA□□ 080-22 70 |
| 356 | 35 | 3.6 | 57.501 | 825 | 9323 | 1158 | 9324 | 1310 | 35 | 2.09E-03 | GKS07 - 3A □□□ 080C22 MDSKA□□ 080-22 70 |
| 404 | 31 | 2.9 | 64.790 | 929 | 9323 | 1305 | 9324 | 1195 | 31 | 2.09E-03 | GKS07 - 3A □□□ 080C22 MDSKA□□ 080-22 70 |
| 439 | 28 | 2.9 | 70.474 | 1011 | 9323 | 1419 | 9324 | 1320 | 28 | 2.05E-03 | GKS07 - 3A □□□ 080C22 MDSKA□□ 080-22 70 |
| 498 | 25 | 2.4 | 79.407 | 1139 | 9323 | 1599 | 9324 | 1205 | 25 | 2.05E-03 | GKS07 - 3A □□□ 080C22 MDSKA□□ 080-22 70 |
| 581 | 22 | 2.3 | 92.563 | 1328 | 9323 | 1864 | 9324 | 1330 | 22 | 2.00E-03 | GKS07 - 3A □□□ 080C22 MDSKA□□ 080-22 70 |
| 658 | 19 | 1.8 | 104.296 | 1496 | 9323 | 1823 | 9324 | 1215 | 19 | 2.00E-03 | GKS07 - 3A □□□ 080C22 MDSKA□□ 080-22 70 |
| 708 | 18 | 1.9 | 112.338 | 1611 | 9323 | 1995 | 9324 | 1330 | 18 | 1.98E-03 | GKS07 - 3A □□□ 080C22 MDSKA□□ 080-22 70 |
| 801 | 16 | 1.5 | 126.578 | 1816 | 9323 | 1823 | 9324 | 1215 | 16 | 1.98E-03 | GKS07 - 3A □□□ 080C22 MDSKA□□ 080-22 70 |
| 890 | 14 | 1.5 | 140.548 | 1995 | 9323 | 1995 | 9324 | 1330 | 14 | 2.03E-03 | GKS07 - 3A □□□ 080C22 MDSKA□□ 080-22 70 |
| 1006 | 13 | 1.2 | 158.364 | 1823 | 9323 | 1823 | 9324 | 1215 | 13 | 2.03E-03 | GKS07 - 3A □□□ 080C22 MDSKA□□ 080-22 70 |
| 1173 | 11 | 1.1 | 184.600 | 1995 | 9323 | 1995 | 9324 | 1330 | 11 | 1.99E-03 | GKS07 - 3A □□□ 080C22 MDSKA□□ 080-22 70 |
| 137 | 145 | 5.9 | 28.274 | 355 | 9324 | 513 | 9325 | 1202 | 108 | 2.48E-03 | GKS07 - 3A □□□ 080C22 MDSKA□□ 080-22 140 |
| 156 | 129 | 5.1 | 31.858 | 399 | 9324 | 578 | 9325 | 1172 | 93 | 2.47E-03 | GKS07 - 3A □□□ 080C22 MDSKA□□ 080-22 140 |
| 177 | 114 | 5.0 | 36.063 | 452 | 9324 | 654 | 9325 | 1290 | 96 | 2.28E-03 | GKS07 - 3A □□□ 080C22 MDSKA□□ 080-22 140 |
| 218 | 93 | 4.7 | 44.178 | 554 | 9324 | 802 | 9325 | 1300 | 81 | 2.20E-03 | GKS07 - 3A □□□ 080C22 MDSKA□□ 080-22 140 |
| 250 | 81 | 4.1 | 50.345 | 631 | 9324 | 913 | 9325 | 1300 | 54 | 2.45E-03 | GKS07 - 3A □□□ 080C22 MDSKA□□ 080-22 140 |
| 287 | 71 | 3.6 | 57.501 | 721 | 9324 | 1043 | 9325 | 1310 | 62 | 2.09E-03 | GKS07 - 3A □□□ 080C22 MDSKA□□ 080-22 140 |

Observe the notes for thermal dimensioning.

Selection tables - Helical-bevel gearboxes

Naturally ventilated asynchronous geared servo motors



| M ₂ [Nm] | n _{2 trans} [rpm] | c | i | M _{2 max} short-time on geared motor at | | | | M _{2 Gr} gearbox c=1 n ₁ ≤ 1400 rpm [Nm] | n _{2 therm} [rpm] | J _{GM} referred to motor shaft [kgm ²] | Helical-bevel geared servo motor Dimensions on Page 6-88 |
|------------------------|-------------------------------|-----|---------|---|-------------|----------------------------|-------------|--|-------------------------------|---|---|
| | | | | 8 kHz | | 16 kHz | | | | | |
| | | | | M _{2 max} [Nm] | Type EVS | M _{2 max} [Nm] | Type EVS | | | | |
| 326 | 63 | 2.9 | 64.790 | 812 | 9324 | 1175 | 9325 | 1195 | 55 | 2.09E-03 | GKS07 - 3A □□□ 080C22 MDSKA□□ 080-22 140 |
| 354 | 58 | 3.0 | 70.474 | 884 | 9324 | 1279 | 9325 | 1320 | 51 | 2.05E-03 | GKS07 - 3A □□□ 080C22 MDSKA□□ 080-22 140 |
| 401 | 52 | 2.4 | 79.407 | 996 | 9324 | 1441 | 9325 | 1205 | 45 | 2.05E-03 | GKS07 - 3A □□□ 080C22 MDSKA□□ 080-22 140 |
| 468 | 44 | 2.3 | 92.563 | 1161 | 9324 | 1679 | 9325 | 1330 | 39 | 2.00E-03 | GKS07 - 3A □□□ 080C22 MDSKA□□ 080-22 140 |
| 530 | 39 | 1.8 | 104.296 | 1308 | 9324 | 1823 | 9325 | 1215 | 34 | 2.00E-03 | GKS07 - 3A □□□ 080C22 MDSKA□□ 080-22 140 |
| 570 | 37 | 2.1 | 112.338 | 1409 | 9324 | 1995 | 9325 | 1330 | 32 | 1.98E-03 | GKS07 - 3A □□□ 080C22 MDSKA□□ 080-22 140 |
| 645 | 32 | 1.7 | 126.578 | 1587 | 9324 | 1823 | 9325 | 1215 | 28 | 1.98E-03 | GKS07 - 3A □□□ 080C22 MDSKA□□ 080-22 140 |
| 716 | 29 | 1.7 | 140.548 | 1762 | 9324 | 1995 | 9325 | 1330 | 26 | 2.03E-03 | GKS07 - 3A □□□ 080C22 MDSKA□□ 080-22 140 |
| 809 | 26 | 1.3 | 158.364 | 1823 | 9324 | 1823 | 9325 | 1215 | 23 | 2.03E-03 | GKS07 - 3A □□□ 080C22 MDSKA□□ 080-22 140 |
| 944 | 22 | 1.3 | 184.600 | 1995 | 9324 | 1995 | 9325 | 1330 | 19 | 1.99E-03 | GKS07 - 3A □□□ 080C22 MDSKA□□ 080-22 140 |
| 1067 | 20 | 1.0 | 208.000 | 1823 | 9324 | 1823 | 9325 | 1215 | 17 | 1.99E-03 | GKS07 - 3A □□□ 080C22 MDSKA□□ 080-22 140 |
| 1149 | 18 | 1.0 | 224.037 | 1995 | 9324 | 1995 | 9325 | 1330 | 16 | 1.97E-03 | GKS07 - 3A □□□ 080C22 MDSKA□□ 080-22 140 |
| 81 | 279 | 5.5 | 8.254 | 191 | 9324 | 271 | 9325 | 541 | 279 | 4.78E-03 | GKS07 - 3A □□□ 090C22 MDSKA□□ 090-22 80 |
| 112 | 202 | 4.6 | 11.378 | 264 | 9324 | 373 | 9325 | 613 | 202 | 4.30E-03 | GKS07 - 3A □□□ 090C22 MDSKA□□ 090-22 80 |
| 124 | 181 | 5.5 | 12.711 | 295 | 9324 | 417 | 9325 | 832 | 181 | 4.62E-03 | GKS07 - 3A □□□ 090C22 MDSKA□□ 090-22 80 |
| 144 | 155 | 5.9 | 14.798 | 343 | 9324 | 485 | 9325 | 1040 | 153 | 5.03E-03 | GKS07 - 3A □□□ 090C22 MDSKA□□ 090-22 80 |
| 163 | 138 | 5.4 | 16.674 | 387 | 9324 | 546 | 9325 | 1071 | 134 | 5.00E-03 | GKS07 - 3A □□□ 090C22 MDSKA□□ 090-22 80 |
| 170 | 133 | 4.9 | 17.270 | 400 | 9324 | 566 | 9325 | 998 | 133 | 4.33E-03 | GKS07 - 3A □□□ 090C22 MDSKA□□ 090-22 80 |
| 202 | 112 | 4.6 | 20.511 | 475 | 9324 | 672 | 9325 | 1110 | 112 | 4.51E-03 | GKS07 - 3A □□□ 090C22 MDSKA□□ 090-22 80 |
| 229 | 100 | 4.3 | 23.111 | 536 | 9324 | 757 | 9325 | 1168 | 100 | 4.49E-03 | GKS07 - 3A □□□ 090C22 MDSKA□□ 090-22 80 |
| 251 | 91 | 3.9 | 25.244 | 585 | 9324 | 827 | 9325 | 1177 | 91 | 4.27E-03 | GKS07 - 3A □□□ 090C22 MDSKA□□ 090-22 80 |
| 282 | 81 | 3.6 | 28.274 | 655 | 9324 | 927 | 9325 | 1202 | 81 | 4.16E-03 | GKS07 - 3A □□□ 090C22 MDSKA□□ 090-22 80 |
| 320 | 72 | 3.1 | 31.858 | 738 | 9324 | 1044 | 9325 | 1172 | 72 | 4.15E-03 | GKS07 - 3A □□□ 090C22 MDSKA□□ 090-22 80 |
| 362 | 64 | 3.0 | 36.063 | 836 | 9324 | 1182 | 9325 | 1290 | 64 | 3.96E-03 | GKS07 - 3A □□□ 090C22 MDSKA□□ 090-22 80 |
| 412 | 56 | 2.7 | 40.906 | 948 | 9324 | 1341 | 9325 | 1290 | 54 | 4.29E-03 | GKS07 - 3A □□□ 090C22 MDSKA□□ 090-22 80 |
| 444 | 52 | 2.8 | 44.178 | 1024 | 9324 | 1448 | 9325 | 1300 | 52 | 3.88E-03 | GKS07 - 3A □□□ 090C22 MDSKA□□ 090-22 80 |
| 508 | 46 | 2.5 | 50.345 | 1167 | 9324 | 1650 | 9325 | 1300 | 46 | 4.13E-03 | GKS07 - 3A □□□ 090C22 MDSKA□□ 090-22 80 |
| 582 | 40 | 2.2 | 57.501 | 1333 | 9324 | 1884 | 9325 | 1310 | 40 | 3.77E-03 | GKS07 - 3A □□□ 090C22 MDSKA□□ 090-22 80 |
| 659 | 36 | 1.8 | 64.790 | 1502 | 9324 | 1793 | 9325 | 1195 | 36 | 3.77E-03 | GKS07 - 3A □□□ 090C22 MDSKA□□ 090-22 80 |
| 717 | 33 | 1.8 | 70.474 | 1633 | 9324 | 1980 | 9325 | 1320 | 33 | 3.73E-03 | GKS07 - 3A □□□ 090C22 MDSKA□□ 090-22 80 |
| 811 | 29 | 1.5 | 79.407 | 1808 | 9324 | 1808 | 9325 | 1205 | 29 | 3.73E-03 | GKS07 - 3A □□□ 090C22 MDSKA□□ 090-22 80 |
| 71 | 498 | 5.2 | 8.254 | 184 | 9325 | 220 | 9326 | 541 | 307 | 4.78E-03 | GKS07 - 3A □□□ 090C22 MDSKA□□ 090-22 140 |
| 99 | 361 | 4.3 | 11.378 | 253 | 9325 | 303 | 9326 | 613 | 252 | 4.30E-03 | GKS07 - 3A □□□ 090C22 MDSKA□□ 090-22 140 |
| 110 | 323 | 5.2 | 12.711 | 283 | 9325 | 338 | 9326 | 832 | 199 | 4.62E-03 | GKS07 - 3A □□□ 090C22 MDSKA□□ 090-22 140 |

Observe the notes for thermal dimensioning.

Selection tables - Helical-bevel gearboxes

Naturally ventilated asynchronous geared servo motors

| M ₂ [Nm] | n ₂ trans [rpm] | c | i | M ₂ max short-time on geared motor at | | | | M ₂ Gr gearbox c=1 n ₁ ≤ 1400 rpm [Nm] | n ₂ therm [rpm] | J _{GM} referred to motor shaft [kgm ²] | Helical-bevel geared servo motor Dimensions on Page 6-88 |
|------------------------|-------------------------------|-----|--------|---|-------------|----------------------------|-------------|--|-------------------------------|---|---|
| | | | | 8 kHz | | 16 kHz | | | | | |
| | | | | M ₂ max [Nm] | Type EVS | M ₂ max [Nm] | Type EVS | | | | |
| 127 | 278 | 5.6 | 14.798 | 329 | 9325 | 394 | 9326 | 1040 | 151 | 5.03E-03 | GKS07 - 3A □□□ 090C22 MDSKA□□ 090-22 140 |
| 144 | 246 | 5.1 | 16.674 | 371 | 9325 | 444 | 9326 | 1071 | 132 | 5.00E-03 | GKS07 - 3A □□□ 090C22 MDSKA□□ 090-22 140 |
| 150 | 238 | 4.6 | 17.270 | 384 | 9325 | 459 | 9326 | 998 | 162 | 4.33E-03 | GKS07 - 3A □□□ 090C22 MDSKA□□ 090-22 140 |
| 179 | 200 | 4.3 | 20.511 | 456 | 9325 | 546 | 9326 | 1110 | 119 | 4.51E-03 | GKS07 - 3A □□□ 090C22 MDSKA□□ 090-22 140 |
| 202 | 178 | 4.0 | 23.111 | 514 | 9325 | 615 | 9326 | 1168 | 104 | 4.49E-03 | GKS07 - 3A □□□ 090C22 MDSKA□□ 090-22 140 |
| 221 | 163 | 3.7 | 25.244 | 561 | 9325 | 671 | 9326 | 1177 | 106 | 4.27E-03 | GKS07 - 3A □□□ 090C22 MDSKA□□ 090-22 140 |
| 249 | 145 | 3.4 | 28.274 | 628 | 9325 | 752 | 9326 | 1202 | 97 | 4.16E-03 | GKS07 - 3A □□□ 090C22 MDSKA□□ 090-22 140 |
| 282 | 129 | 2.9 | 31.858 | 708 | 9325 | 847 | 9326 | 1172 | 83 | 4.15E-03 | GKS07 - 3A □□□ 090C22 MDSKA□□ 090-22 140 |
| 319 | 114 | 2.8 | 36.063 | 802 | 9325 | 959 | 9326 | 1290 | 86 | 3.96E-03 | GKS07 - 3A □□□ 090C22 MDSKA□□ 090-22 140 |
| 363 | 100 | 2.5 | 40.906 | 909 | 9325 | 1088 | 9326 | 1290 | 53 | 4.29E-03 | GKS07 - 3A □□□ 090C22 MDSKA□□ 090-22 140 |
| 392 | 93 | 2.6 | 44.178 | 982 | 9325 | 1175 | 9326 | 1300 | 70 | 3.88E-03 | GKS07 - 3A □□□ 090C22 MDSKA□□ 090-22 140 |
| 448 | 82 | 2.3 | 50.345 | 1119 | 9325 | 1339 | 9326 | 1300 | 48 | 4.13E-03 | GKS07 - 3A □□□ 090C22 MDSKA□□ 090-22 140 |
| 513 | 71 | 2.1 | 57.501 | 1278 | 9325 | 1529 | 9326 | 1310 | 54 | 3.77E-03 | GKS07 - 3A □□□ 090C22 MDSKA□□ 090-22 140 |
| 581 | 63 | 1.7 | 64.790 | 1440 | 9325 | 1723 | 9326 | 1195 | 48 | 3.77E-03 | GKS07 - 3A □□□ 090C22 MDSKA□□ 090-22 140 |
| 631 | 58 | 1.7 | 70.474 | 1566 | 9325 | 1874 | 9326 | 1320 | 44 | 3.73E-03 | GKS07 - 3A □□□ 090C22 MDSKA□□ 090-22 140 |
| 714 | 52 | 1.4 | 79.407 | 1765 | 9325 | 1808 | 9326 | 1205 | 39 | 3.73E-03 | GKS07 - 3A □□□ 090C22 MDSKA□□ 090-22 140 |
| 89 | 393 | 4.4 | 5.955 | 267 | 9325 | 191 | 9325 | 471 | 357 | 9.13E-03 | GKS07 - 3A □□□ 100C22 MDSKA□□ 100-22 80 |
| 124 | 284 | 3.6 | 8.254 | 370 | 9325 | 265 | 9325 | 541 | 284 | 8.38E-03 | GKS07 - 3A □□□ 100C22 MDSKA□□ 100-22 80 |
| 137 | 255 | 4.4 | 9.171 | 411 | 9325 | 294 | 9325 | 725 | 232 | 8.80E-03 | GKS07 - 3A □□□ 100C22 MDSKA□□ 100-22 80 |
| 151 | 231 | 4.4 | 10.124 | 454 | 9325 | 325 | 9325 | 800 | 210 | 8.79E-03 | GKS07 - 3A □□□ 100C22 MDSKA□□ 100-22 80 |
| 172 | 206 | 3.0 | 11.378 | 510 | 9325 | 365 | 9325 | 613 | 206 | 7.90E-03 | GKS07 - 3A □□□ 100C22 MDSKA□□ 100-22 80 |
| 191 | 184 | 3.6 | 12.711 | 570 | 9325 | 408 | 9325 | 832 | 184 | 8.22E-03 | GKS07 - 3A □□□ 100C22 MDSKA□□ 100-22 80 |
| 222 | 158 | 3.9 | 14.798 | 664 | 9325 | 475 | 9325 | 1040 | 140 | 8.63E-03 | GKS07 - 3A □□□ 100C22 MDSKA□□ 100-22 80 |
| 251 | 140 | 3.6 | 16.674 | 748 | 9325 | 535 | 9325 | 1071 | 122 | 8.60E-03 | GKS07 - 3A □□□ 100C22 MDSKA□□ 100-22 80 |
| 261 | 136 | 3.2 | 17.270 | 774 | 9325 | 555 | 9325 | 998 | 136 | 7.93E-03 | GKS07 - 3A □□□ 100C22 MDSKA□□ 100-22 80 |
| 311 | 114 | 3.0 | 20.511 | 920 | 9325 | 659 | 9325 | 1110 | 110 | 8.11E-03 | GKS07 - 3A □□□ 100C22 MDSKA□□ 100-22 80 |
| 351 | 101 | 2.8 | 23.111 | 1036 | 9325 | 742 | 9325 | 1168 | 96 | 8.09E-03 | GKS07 - 3A □□□ 100C22 MDSKA□□ 100-22 80 |
| 384 | 93 | 2.6 | 25.244 | 1132 | 9325 | 811 | 9325 | 1177 | 93 | 7.87E-03 | GKS07 - 3A □□□ 100C22 MDSKA□□ 100-22 80 |
| 431 | 83 | 2.4 | 28.274 | 1268 | 9325 | 908 | 9325 | 1202 | 83 | 7.76E-03 | GKS07 - 3A □□□ 100C22 MDSKA□□ 100-22 80 |
| 488 | 73 | 2.0 | 31.858 | 1428 | 9325 | 1023 | 9325 | 1172 | 73 | 7.75E-03 | GKS07 - 3A □□□ 100C22 MDSKA□□ 100-22 80 |
| 553 | 65 | 2.0 | 36.063 | 1617 | 9325 | 1158 | 9325 | 1290 | 65 | 7.56E-03 | GKS07 - 3A □□□ 100C22 MDSKA□□ 100-22 80 |
| 628 | 57 | 1.8 | 40.906 | 1834 | 9325 | 1313 | 9325 | 1290 | 47 | 7.89E-03 | GKS07 - 3A □□□ 100C22 MDSKA□□ 100-22 80 |
| 678 | 53 | 1.9 | 44.178 | 1950 | 9325 | 1418 | 9325 | 1300 | 53 | 7.48E-03 | GKS07 - 3A □□□ 100C22 MDSKA□□ 100-22 80 |
| 774 | 46 | 1.6 | 50.345 | 1950 | 9325 | 1616 | 9325 | 1300 | 41 | 7.73E-03 | GKS07 - 3A □□□ 100C22 MDSKA□□ 100-22 80 |

Observe the notes for thermal dimensioning.

Selection tables - Helical-bevel gearboxes

Naturally ventilated asynchronous geared servo motors



| M ₂ [Nm] | n _{2 trans} [rpm] | c | i | M _{2 max} short-time on geared motor at | | | | M _{2 Gr} gearbox c=1 n ₁ ≤ 1400 rpm [Nm] | n _{2 therm} [rpm] | J _{GM} referred to motor shaft [kgm ²] | Helical-bevel geared servo motor Dimensions on Page 6-88 |
|------------------------|-------------------------------|-----|--------|--|-------------|----------------------------|-------------|---|-------------------------------|--|---|
| | | | | 8 kHz | | 16 kHz | | | | | |
| | | | | M _{2 max} [Nm] | Type EVS | M _{2 max} [Nm] | Type EVS | | | | |
| 65 | 697 | 4.9 | 5.955 | 245 | 9326 | 146 | 9326 | 471 | 367 | 9.13E-03 | GKS07 - 3A □□□ 100C22 MDSKA□□ 100-22 140 |
| 91 | 503 | 4.1 | 8.254 | 340 | 9326 | 202 | 9326 | 541 | 292 | 8.38E-03 | GKS07 - 3A □□□ 100C22 MDSKA□□ 100-22 140 |
| 100 | 453 | 4.9 | 9.171 | 377 | 9326 | 225 | 9326 | 725 | 238 | 8.80E-03 | GKS07 - 3A □□□ 100C22 MDSKA□□ 100-22 140 |
| 111 | 410 | 4.9 | 10.124 | 416 | 9326 | 248 | 9326 | 800 | 216 | 8.79E-03 | GKS07 - 3A □□□ 100C22 MDSKA□□ 100-22 140 |
| 126 | 365 | 3.4 | 11.378 | 468 | 9326 | 279 | 9326 | 613 | 215 | 7.90E-03 | GKS07 - 3A □□□ 100C22 MDSKA□□ 100-22 140 |
| 140 | 326 | 4.1 | 12.711 | 523 | 9326 | 312 | 9326 | 832 | 190 | 8.22E-03 | GKS07 - 3A □□□ 100C22 MDSKA□□ 100-22 140 |
| 163 | 280 | 4.4 | 14.798 | 609 | 9326 | 363 | 9326 | 1040 | 144 | 8.63E-03 | GKS07 - 3A □□□ 100C22 MDSKA□□ 100-22 140 |
| 184 | 249 | 4.0 | 16.674 | 686 | 9326 | 409 | 9326 | 1071 | 125 | 8.60E-03 | GKS07 - 3A □□□ 100C22 MDSKA□□ 100-22 140 |
| 191 | 240 | 3.6 | 17.270 | 710 | 9326 | 423 | 9326 | 998 | 142 | 7.93E-03 | GKS07 - 3A □□□ 100C22 MDSKA□□ 100-22 140 |
| 228 | 202 | 3.4 | 20.511 | 844 | 9326 | 503 | 9326 | 1110 | 113 | 8.11E-03 | GKS07 - 3A □□□ 100C22 MDSKA□□ 100-22 140 |
| 257 | 180 | 3.2 | 23.111 | 951 | 9326 | 566 | 9326 | 1168 | 99 | 8.09E-03 | GKS07 - 3A □□□ 100C22 MDSKA□□ 100-22 140 |
| 282 | 164 | 2.9 | 25.244 | 1038 | 9326 | 619 | 9326 | 1177 | 97 | 7.87E-03 | GKS07 - 3A □□□ 100C22 MDSKA□□ 100-22 140 |
| 317 | 147 | 2.7 | 28.274 | 1163 | 9326 | 693 | 9326 | 1202 | 87 | 7.76E-03 | GKS07 - 3A □□□ 100C22 MDSKA□□ 100-22 140 |
| 358 | 130 | 2.3 | 31.858 | 1310 | 9326 | 781 | 9326 | 1172 | 77 | 7.75E-03 | GKS07 - 3A □□□ 100C22 MDSKA□□ 100-22 140 |
| 406 | 115 | 2.2 | 36.063 | 1483 | 9326 | 884 | 9326 | 1290 | 68 | 7.56E-03 | GKS07 - 3A □□□ 100C22 MDSKA□□ 100-22 140 |
| 461 | 101 | 2.0 | 40.906 | 1682 | 9326 | 1003 | 9326 | 1290 | 50 | 7.89E-03 | GKS07 - 3A □□□ 100C22 MDSKA□□ 100-22 140 |
| 498 | 94 | 2.1 | 44.178 | 1817 | 9326 | 1083 | 9326 | 1300 | 55 | 7.48E-03 | GKS07 - 3A □□□ 100C22 MDSKA□□ 100-22 140 |
| 569 | 82 | 1.8 | 50.345 | 1950 | 9326 | 1234 | 9326 | 1300 | 44 | 7.73E-03 | GKS07 - 3A □□□ 100C22 MDSKA□□ 100-22 140 |
| 136 | 418 | 2.9 | 5.955 | 441 | 9326 | 316 | 9326 | 471 | 323 | 1.99E-02 | GKS07 - 3A □□□ 112C22 MDSKA□□ 112-22 85 |
| 190 | 302 | 2.4 | 8.254 | 612 | 9326 | 438 | 9326 | 541 | 244 | 1.92E-02 | GKS07 - 3A □□□ 112C22 MDSKA□□ 112-22 85 |
| 210 | 272 | 2.9 | 9.171 | 680 | 9326 | 486 | 9326 | 725 | 210 | 1.96E-02 | GKS07 - 3A □□□ 112C22 MDSKA□□ 112-22 85 |
| 232 | 246 | 2.9 | 10.124 | 750 | 9326 | 537 | 9326 | 800 | 190 | 1.96E-02 | GKS07 - 3A □□□ 112C22 MDSKA□□ 112-22 85 |
| 263 | 219 | 1.9 | 11.378 | 843 | 9326 | 603 | 9326 | 613 | 177 | 1.87E-02 | GKS07 - 3A □□□ 112C22 MDSKA□□ 112-22 85 |
| 293 | 196 | 2.4 | 12.711 | 942 | 9326 | 674 | 9326 | 832 | 158 | 1.90E-02 | GKS07 - 3A □□□ 112C22 MDSKA□□ 112-22 85 |
| 340 | 168 | 2.5 | 14.798 | 1096 | 9326 | 784 | 9326 | 1040 | 126 | 1.94E-02 | GKS07 - 3A □□□ 112C22 MDSKA□□ 112-22 85 |
| 384 | 149 | 2.3 | 16.674 | 1235 | 9326 | 884 | 9326 | 1071 | 110 | 1.94E-02 | GKS07 - 3A □□□ 112C22 MDSKA□□ 112-22 85 |
| 399 | 144 | 2.1 | 17.270 | 1280 | 9326 | 915 | 9326 | 998 | 117 | 1.87E-02 | GKS07 - 3A □□□ 112C22 MDSKA□□ 112-22 85 |
| 474 | 121 | 2.0 | 20.511 | 1520 | 9326 | 1087 | 9326 | 1110 | 98 | 1.89E-02 | GKS07 - 3A □□□ 112C22 MDSKA□□ 112-22 85 |
| 535 | 108 | 1.8 | 23.111 | 1712 | 9326 | 1225 | 9326 | 1168 | 84 | 1.89E-02 | GKS07 - 3A □□□ 112C22 MDSKA□□ 112-22 85 |
| 586 | 99 | 1.7 | 25.244 | 1766 | 9326 | 1338 | 9326 | 1177 | 80 | 1.87E-02 | GKS07 - 3A □□□ 112C22 MDSKA□□ 112-22 85 |
| 657 | 88 | 1.5 | 28.274 | 1803 | 9326 | 1499 | 9326 | 1202 | 71 | 1.86E-02 | GKS07 - 3A □□□ 112C22 MDSKA□□ 112-22 85 |
| 742 | 78 | 1.3 | 31.858 | 1758 | 9326 | 1689 | 9326 | 1172 | 61 | 1.85E-02 | GKS07 - 3A □□□ 112C22 MDSKA□□ 112-22 85 |
| 954 | 61 | 1.1 | 40.906 | 1935 | 9326 | 1935 | 9326 | 1290 | 37 | 1.87E-02 | GKS07 - 3A □□□ 112C22 MDSKA□□ 112-22 85 |
| 1176 | 49 | 1.1 | 50.345 | 1950 | 9326 | 1950 | 9326 | 1300 | 33 | 1.85E-02 | GKS07 - 3A □□□ 112C22 MDSKA□□ 112-22 85 |

Observe the notes for thermal dimensioning.

Selection tables - Helical-bevel gearboxes

Naturally ventilated asynchronous geared servo motors

| M ₂ [Nm] | n ₂ trans [rpm] | c | i | M ₂ max short-time on geared motor at | | | | M ₂ Gr gearbox c=1 n ₁ ≤ 1400 rpm [Nm] | n ₂ therm [rpm] | J _{GM} referred to motor shaft [kgm ²] | Helical-bevel geared servo motor Dimensions on Page 6-88 |
|------------------------|-------------------------------|------------|----------------|---|-------------|----------------------------|-------------|--|-------------------------------|---|---|
| | | | | 8 kHz | | 16 kHz | | | | | |
| | | | | M ₂ max [Nm] | Type EVS | M ₂ max [Nm] | Type EVS | | | | |
| 94 | 699 | 3.5 | 5.955 | 248 | 9326 | 212 | 9327 | 471 | 338 | 1.99E-02 | GKS07 - 3A □□□ 112C22 MDSKA□□ 112-22 140 |
| 131 | 504 | 2.9 | 8.254 | 344 | 9326 | 294 | 9327 | 541 | 244 | 1.92E-02 | GKS07 - 3A □□□ 112C22 MDSKA□□ 112-22 140 |
| 144 | 454 | 3.5 | 9.171 | 382 | 9326 | 327 | 9327 | 725 | 220 | 1.96E-02 | GKS07 - 3A □□□ 112C22 MDSKA□□ 112-22 140 |
| 159 | 411 | 3.5 | 10.124 | 422 | 9326 | 361 | 9327 | 800 | 199 | 1.96E-02 | GKS07 - 3A □□□ 112C22 MDSKA□□ 112-22 140 |
| 181 | 366 | 2.4 | 11.378 | 474 | 9326 | 405 | 9327 | 613 | 177 | 1.87E-02 | GKS07 - 3A □□□ 112C22 MDSKA□□ 112-22 140 |
| 201 | 327 | 2.9 | 12.711 | 530 | 9326 | 453 | 9327 | 832 | 158 | 1.90E-02 | GKS07 - 3A □□□ 112C22 MDSKA□□ 112-22 140 |
| 234 | 281 | 3.1 | 14.798 | 617 | 9326 | 527 | 9327 | 1040 | 133 | 1.94E-02 | GKS07 - 3A □□□ 112C22 MDSKA□□ 112-22 140 |
| 264 | 249 | 2.8 | 16.674 | 695 | 9326 | 594 | 9327 | 1071 | 115 | 1.94E-02 | GKS07 - 3A □□□ 112C22 MDSKA□□ 112-22 140 |
| 274 | 241 | 2.5 | 17.270 | 720 | 9326 | 615 | 9327 | 998 | 117 | 1.87E-02 | GKS07 - 3A □□□ 112C22 MDSKA□□ 112-22 140 |
| 326 | 203 | 2.4 | 20.511 | 855 | 9326 | 731 | 9327 | 1110 | 98 | 1.89E-02 | GKS07 - 3A □□□ 112C22 MDSKA□□ 112-22 140 |
| 368 | 180 | 2.2 | 23.111 | 964 | 9326 | 823 | 9327 | 1168 | 87 | 1.89E-02 | GKS07 - 3A □□□ 112C22 MDSKA□□ 112-22 140 |
| 403 | 165 | 2.1 | 25.244 | 1053 | 9326 | 899 | 9327 | 1177 | 80 | 1.87E-02 | GKS07 - 3A □□□ 112C22 MDSKA□□ 112-22 140 |
| 452 | 147 | 1.9 | 28.274 | 1179 | 9326 | 1007 | 9327 | 1202 | 71 | 1.86E-02 | GKS07 - 3A □□□ 112C22 MDSKA□□ 112-22 140 |
| 511 | 131 | 1.6 | 31.858 | 1328 | 9326 | 1135 | 9327 | 1172 | 63 | 1.85E-02 | GKS07 - 3A □□□ 112C22 MDSKA□□ 112-22 140 |
| 658 | 102 | 1.4 | 40.906 | 1706 | 9326 | 1457 | 9327 | 1290 | 41 | 1.87E-02 | GKS07 - 3A □□□ 112C22 MDSKA□□ 112-22 140 |
| 810 | 83 | 1.3 | 50.345 | 1950 | 9326 | 1793 | 9327 | 1300 | 36 | 1.85E-02 | GKS07 - 3A □□□ 112C22 MDSKA□□ 112-22 140 |
| 183 | 38 | 5.5 | 103.039 | 428 | 9322 | 510 | 9323 | 1290 | 38 | 3.24E-04 | GKS07 - 4A □□□ 056C22 MDSKA□□ 056-22 140 |
| 202 | 35 | 4.6 | 112.391 | 467 | 9322 | 556 | 9323 | 1053 | 35 | 3.03E-04 | GKS07 - 4A □□□ 056C22 MDSKA□□ 056-22 140 |
| 226 | 31 | 5.0 | 126.222 | 525 | 9322 | 625 | 9323 | 1300 | 31 | 3.13E-04 | GKS07 - 4A □□□ 056C22 MDSKA□□ 056-22 140 |
| 250 | 29 | 3.7 | 137.748 | 572 | 9322 | 682 | 9323 | 1053 | 29 | 2.97E-04 | GKS07 - 4A □□□ 056C22 MDSKA□□ 056-22 140 |
| 279 | 26 | 4.1 | 154.622 | 643 | 9322 | 765 | 9323 | 1300 | 26 | 2.93E-04 | GKS07 - 4A □□□ 056C22 MDSKA□□ 056-22 140 |
| 328 | 22 | 2.9 | 179.201 | 745 | 9322 | 887 | 9323 | 1053 | 22 | 2.68E-04 | GKS07 - 4A □□□ 056C22 MDSKA□□ 056-22 140 |
| 367 | 20 | 3.2 | 201.254 | 836 | 9322 | 996 | 9323 | 1310 | 20 | 2.85E-04 | GKS07 - 4A □□□ 056C22 MDSKA□□ 056-22 140 |
| 410 | 18 | 2.3 | 222.909 | 926 | 9322 | 1103 | 9323 | 1053 | 18 | 2.60E-04 | GKS07 - 4A □□□ 056C22 MDSKA□□ 056-22 140 |
| 453 | 16 | 2.6 | 246.659 | 1025 | 9322 | 1221 | 9323 | 1320 | 16 | 2.82E-04 | GKS07 - 4A □□□ 056C22 MDSKA□□ 056-22 140 |
| 505 | 14 | 1.9 | 273.199 | 1135 | 9322 | 1352 | 9323 | 1053 | 14 | 2.58E-04 | GKS07 - 4A □□□ 056C22 MDSKA□□ 056-22 140 |
| 593 | 12 | 2.0 | 321.049 | 1334 | 9322 | 1589 | 9323 | 1320 | 12 | 2.66E-04 | GKS07 - 4A □□□ 056C22 MDSKA□□ 056-22 140 |
| 667 | 11 | 1.4 | 358.829 | 1491 | 9322 | 1580 | 9323 | 1053 | 11 | 2.57E-04 | GKS07 - 4A □□□ 056C22 MDSKA□□ 056-22 140 |
| 741 | 9.9 | 1.6 | 399.353 | 1659 | 9322 | 1976 | 9323 | 1320 | 9.9 | 2.58E-04 | GKS07 - 4A □□□ 056C22 MDSKA□□ 056-22 140 |
| 866 | 8.5 | 1.1 | 464.367 | 1580 | 9322 | 1580 | 9323 | 1053 | 8.5 | 2.51E-04 | GKS07 - 4A □□□ 056C22 MDSKA□□ 056-22 140 |
| 963 | 7.6 | 1.2 | 516.810 | 1980 | 9322 | 1980 | 9323 | 1320 | 7.6 | 2.51E-04 | GKS07 - 4A □□□ 056C22 MDSKA□□ 056-22 140 |
| 1189 | 6.2 | 1.0 | 636.581 | 1995 | 9322 | 1995 | 9323 | 1330 | 6.2 | 2.56E-04 | GKS07 - 4A □□□ 056C22 MDSKA□□ 056-22 140 |
| 378 | 39 | 2.7 | 103.039 | 1212 | 9324 | 885 | 9324 | 1290 | 39 | 9.14E-04 | GKS07 - 4A □□□ 071C22 MDSKA□□ 071-22 140 |
| 414 | 36 | 2.3 | 112.391 | 1322 | 9324 | 966 | 9324 | 1053 | 36 | 8.93E-04 | GKS07 - 4A □□□ 071C22 MDSKA□□ 071-22 140 |

Observe the notes for thermal dimensioning.

Selection tables - Helical-bevel gearboxes

Naturally ventilated asynchronous geared servo motors



| M ₂ [Nm] | n _{2 trans} [rpm] | c | i | M _{2 max} short-time on geared motor at | | | | M _{2 Gr} gearbox c=1 n ₁ ≤ 1400 rpm [Nm] | n _{2 therm} [rpm] | J _{GM} referred to motor shaft [kgm ²] | Helical-bevel geared servo motor Dimensions on Page 6-88 |
|------------------------|-------------------------------|-----|---------|---|-------------|----------------------------|-------------|--|-------------------------------|---|---|
| | | | | 8 kHz | | 16 kHz | | | | | |
| | | | | M _{2 max} [Nm] | Type EVS | M _{2 max} [Nm] | Type EVS | | | | |
| 464 | 32 | 2.5 | 126.222 | 1485 | 9324 | 1084 | 9324 | 1300 | 32 | 9.03E-04 | GKS07 - 4A □□□ 071C22 MDSKA□□ 071-22 140 |
| 510 | 29 | 1.9 | 137.748 | 1580 | 9324 | 1183 | 9324 | 1053 | 29 | 8.87E-04 | GKS07 - 4A □□□ 071C22 MDSKA□□ 071-22 140 |
| 571 | 26 | 2.0 | 154.622 | 1819 | 9324 | 1328 | 9324 | 1300 | 26 | 8.83E-04 | GKS07 - 4A □□□ 071C22 MDSKA□□ 071-22 140 |
| 666 | 23 | 1.4 | 179.201 | 1580 | 9324 | 1539 | 9324 | 1053 | 23 | 8.58E-04 | GKS07 - 4A □□□ 071C22 MDSKA□□ 071-22 140 |
| 747 | 20 | 1.6 | 201.254 | 1965 | 9324 | 1729 | 9324 | 1310 | 20 | 8.75E-04 | GKS07 - 4A □□□ 071C22 MDSKA□□ 071-22 140 |
| 831 | 18 | 1.1 | 222.909 | 1580 | 9324 | 1580 | 9324 | 1053 | 18 | 8.50E-04 | GKS07 - 4A □□□ 071C22 MDSKA□□ 071-22 140 |
| 918 | 16 | 1.3 | 246.659 | 1980 | 9324 | 1980 | 9324 | 1320 | 16 | 8.72E-04 | GKS07 - 4A □□□ 071C22 MDSKA□□ 071-22 140 |
| 638 | 19 | 2.0 | 103.039 | 1453 | 9323 | 1935 | 9324 | 1290 | 19 | 2.00E-03 | GKS07 - 4A □□□ 080C22 MDSKA□□ 080-22 70 |
| 699 | 18 | 1.5 | 112.391 | 1580 | 9323 | 1580 | 9324 | 1053 | 18 | 1.98E-03 | GKS07 - 4A □□□ 080C22 MDSKA□□ 080-22 70 |
| 784 | 16 | 1.6 | 126.222 | 1780 | 9323 | 1950 | 9324 | 1300 | 16 | 1.99E-03 | GKS07 - 4A □□□ 080C22 MDSKA□□ 080-22 70 |
| 860 | 15 | 1.2 | 137.748 | 1580 | 9323 | 1580 | 9324 | 1053 | 15 | 1.98E-03 | GKS07 - 4A □□□ 080C22 MDSKA□□ 080-22 70 |
| 964 | 13 | 1.3 | 154.622 | 1950 | 9323 | 1950 | 9324 | 1300 | 13 | 1.97E-03 | GKS07 - 4A □□□ 080C22 MDSKA□□ 080-22 70 |
| 1258 | 9.9 | 1.0 | 201.254 | 1965 | 9323 | 1965 | 9324 | 1310 | 9.9 | 1.97E-03 | GKS07 - 4A □□□ 080C22 MDSKA□□ 080-22 70 |
| 514 | 40 | 2.0 | 103.039 | 1270 | 9324 | 1838 | 9325 | 1290 | 35 | 2.00E-03 | GKS07 - 4A □□□ 080C22 MDSKA□□ 080-22 140 |
| 563 | 36 | 1.7 | 112.391 | 1385 | 9324 | 1580 | 9325 | 1053 | 32 | 1.98E-03 | GKS07 - 4A □□□ 080C22 MDSKA□□ 080-22 140 |
| 631 | 32 | 1.8 | 126.222 | 1556 | 9324 | 1950 | 9325 | 1300 | 28 | 1.99E-03 | GKS07 - 4A □□□ 080C22 MDSKA□□ 080-22 140 |
| 692 | 30 | 1.4 | 137.748 | 1580 | 9324 | 1580 | 9325 | 1053 | 26 | 1.98E-03 | GKS07 - 4A □□□ 080C22 MDSKA□□ 080-22 140 |
| 775 | 27 | 1.5 | 154.622 | 1906 | 9324 | 1950 | 9325 | 1300 | 23 | 1.97E-03 | GKS07 - 4A □□□ 080C22 MDSKA□□ 080-22 140 |
| 1013 | 20 | 1.2 | 201.254 | 1965 | 9324 | 1965 | 9325 | 1310 | 18 | 1.97E-03 | GKS07 - 4A □□□ 080C22 MDSKA□□ 080-22 140 |
| 559 | 22 | 5.2 | 91.860 | 1318 | 9323 | 1850 | 9324 | 3031 | 22 | 2.18E-03 | GKS09 - 3A □□□ 080C22 MDSKA□□ 080-22 70 |
| 633 | 19 | 4.7 | 103.524 | 1485 | 9323 | 2085 | 9324 | 3080 | 19 | 2.18E-03 | GKS09 - 3A □□□ 080C22 MDSKA□□ 080-22 70 |
| 685 | 18 | 4.3 | 111.484 | 1599 | 9323 | 2245 | 9324 | 3031 | 18 | 2.11E-03 | GKS09 - 3A □□□ 080C22 MDSKA□□ 080-22 70 |
| 776 | 16 | 3.9 | 125.641 | 1802 | 9323 | 2530 | 9324 | 3080 | 16 | 2.11E-03 | GKS09 - 3A □□□ 080C22 MDSKA□□ 080-22 70 |
| 875 | 14 | 3.3 | 140.921 | 2021 | 9323 | 2838 | 9324 | 2973 | 14 | 2.05E-03 | GKS09 - 3A □□□ 080C22 MDSKA□□ 080-22 70 |
| 989 | 13 | 3.0 | 158.816 | 2278 | 9323 | 3198 | 9324 | 3080 | 13 | 2.05E-03 | GKS09 - 3A □□□ 080C22 MDSKA□□ 080-22 70 |
| 1139 | 11 | 2.6 | 182.000 | 2610 | 9323 | 3665 | 9324 | 3031 | 11 | 2.15E-03 | GKS09 - 3A □□□ 080C22 MDSKA□□ 080-22 70 |
| 1287 | 9.8 | 2.4 | 205.111 | 2942 | 9323 | 4130 | 9324 | 3080 | 9.8 | 2.14E-03 | GKS09 - 3A □□□ 080C22 MDSKA□□ 080-22 70 |
| 1389 | 9.1 | 2.2 | 220.882 | 3168 | 9323 | 4448 | 9324 | 3031 | 9.1 | 2.09E-03 | GKS09 - 3A □□□ 080C22 MDSKA□□ 080-22 70 |
| 1568 | 8.0 | 1.9 | 248.930 | 3570 | 9323 | 4620 | 9324 | 3080 | 8.0 | 2.09E-03 | GKS09 - 3A □□□ 080C22 MDSKA□□ 080-22 70 |
| 1764 | 7.2 | 1.7 | 279.205 | 4005 | 9323 | 4547 | 9324 | 3031 | 7.2 | 2.03E-03 | GKS09 - 3A □□□ 080C22 MDSKA□□ 080-22 70 |
| 1991 | 6.4 | 1.5 | 314.659 | 4513 | 9323 | 4620 | 9324 | 3080 | 6.4 | 2.03E-03 | GKS09 - 3A □□□ 080C22 MDSKA□□ 080-22 70 |
| 450 | 45 | 5.2 | 91.860 | 1152 | 9324 | 1667 | 9325 | 3031 | 39 | 2.18E-03 | GKS09 - 3A □□□ 080C22 MDSKA□□ 080-22 140 |
| 510 | 40 | 4.7 | 103.524 | 1298 | 9324 | 1878 | 9325 | 3080 | 35 | 2.18E-03 | GKS09 - 3A □□□ 080C22 MDSKA□□ 080-22 140 |
| 549 | 37 | 4.8 | 111.484 | 1398 | 9324 | 2023 | 9325 | 3031 | 32 | 2.11E-03 | GKS09 - 3A □□□ 080C22 MDSKA□□ 080-22 140 |

Observe the notes for thermal dimensioning.

Selection tables - Helical-bevel gearboxes

Naturally ventilated asynchronous geared servo motors

| M ₂ [Nm] | n ₂ trans [rpm] | c | i | M ₂ max short-time on geared motor at | | | | M ₂ Gr gearbox c=1 n ₁ ≤ 1400 rpm [Nm] | n ₂ therm [rpm] | J _{GM} referred to motor shaft [kgm ²] | Helical-bevel geared servo motor Dimensions on Page 6-88 |
|------------------------|-------------------------------|-----|---------|---|-------------|----------------------------|-------------|--|-------------------------------|---|---|
| | | | | 8 kHz | | 16 kHz | | | | | |
| | | | | M ₂ max [Nm] | Type EVS | M ₂ max [Nm] | Type EVS | | | | |
| 622 | 33 | 4.3 | 125.641 | 1575 | 9324 | 2279 | 9325 | 3080 | 29 | 2.11E-03 | GKS09 - 3A □□□ 080C22 MDSKA□□ 080-22 140 |
| 702 | 29 | 3.7 | 140.921 | 1767 | 9324 | 2557 | 9325 | 2973 | 25 | 2.05E-03 | GKS09 - 3A □□□ 080C22 MDSKA□□ 080-22 140 |
| 794 | 26 | 3.4 | 158.816 | 1991 | 9324 | 2881 | 9325 | 3080 | 23 | 2.05E-03 | GKS09 - 3A □□□ 080C22 MDSKA□□ 080-22 140 |
| 915 | 23 | 2.9 | 182.000 | 2282 | 9324 | 3302 | 9325 | 3031 | 20 | 2.15E-03 | GKS09 - 3A □□□ 080C22 MDSKA□□ 080-22 140 |
| 1034 | 20 | 2.6 | 205.111 | 2572 | 9324 | 3721 | 9325 | 3080 | 18 | 2.14E-03 | GKS09 - 3A □□□ 080C22 MDSKA□□ 080-22 140 |
| 1116 | 19 | 2.4 | 220.882 | 2770 | 9324 | 4007 | 9325 | 3031 | 16 | 2.09E-03 | GKS09 - 3A □□□ 080C22 MDSKA□□ 080-22 140 |
| 1261 | 16 | 2.2 | 248.930 | 3121 | 9324 | 4516 | 9325 | 3080 | 14 | 2.09E-03 | GKS09 - 3A □□□ 080C22 MDSKA□□ 080-22 140 |
| 1418 | 15 | 1.9 | 279.205 | 3501 | 9324 | 4547 | 9325 | 3031 | 13 | 2.03E-03 | GKS09 - 3A □□□ 080C22 MDSKA□□ 080-22 140 |
| 1602 | 13 | 1.7 | 314.659 | 3945 | 9324 | 4620 | 9325 | 3080 | 11 | 2.03E-03 | GKS09 - 3A □□□ 080C22 MDSKA□□ 080-22 140 |
| 473 | 47 | 6.0 | 48.625 | 1127 | 9324 | 1594 | 9325 | 3017 | 47 | 4.49E-03 | GKS09 - 3A □□□ 090C22 MDSKA□□ 090-22 80 |
| 575 | 39 | 5.0 | 58.456 | 1355 | 9324 | 1916 | 9325 | 3031 | 39 | 4.15E-03 | GKS09 - 3A □□□ 090C22 MDSKA□□ 090-22 80 |
| 651 | 35 | 4.4 | 65.879 | 1527 | 9324 | 2159 | 9325 | 3048 | 35 | 4.15E-03 | GKS09 - 3A □□□ 090C22 MDSKA□□ 090-22 80 |
| 704 | 32 | 4.1 | 70.982 | 1645 | 9324 | 2326 | 9325 | 3031 | 32 | 4.01E-03 | GKS09 - 3A □□□ 090C22 MDSKA□□ 090-22 80 |
| 797 | 29 | 3.7 | 79.996 | 1854 | 9324 | 2622 | 9325 | 3071 | 29 | 4.01E-03 | GKS09 - 3A □□□ 090C22 MDSKA□□ 090-22 80 |
| 921 | 25 | 3.2 | 91.860 | 2129 | 9324 | 3010 | 9325 | 3031 | 25 | 3.86E-03 | GKS09 - 3A □□□ 090C22 MDSKA□□ 090-22 80 |
| 1041 | 22 | 2.9 | 103.524 | 2399 | 9324 | 3393 | 9325 | 3080 | 22 | 3.86E-03 | GKS09 - 3A □□□ 090C22 MDSKA□□ 090-22 80 |
| 1124 | 21 | 2.7 | 111.484 | 2584 | 9324 | 3653 | 9325 | 3031 | 21 | 3.79E-03 | GKS09 - 3A □□□ 090C22 MDSKA□□ 090-22 80 |
| 1270 | 18 | 2.4 | 125.641 | 2912 | 9324 | 4117 | 9325 | 3080 | 18 | 3.79E-03 | GKS09 - 3A □□□ 090C22 MDSKA□□ 090-22 80 |
| 1855 | 13 | 1.6 | 182.000 | 4218 | 9324 | 4547 | 9325 | 3031 | 13 | 3.83E-03 | GKS09 - 3A □□□ 090C22 MDSKA□□ 090-22 80 |
| 2094 | 11 | 1.5 | 205.111 | 4620 | 9324 | 4620 | 9325 | 3080 | 11 | 3.82E-03 | GKS09 - 3A □□□ 090C22 MDSKA□□ 090-22 80 |
| 2258 | 10 | 1.3 | 220.882 | 4547 | 9324 | 4547 | 9325 | 3031 | 10 | 3.77E-03 | GKS09 - 3A □□□ 090C22 MDSKA□□ 090-22 80 |
| 2548 | 9.2 | 1.2 | 248.930 | 4620 | 9324 | 4620 | 9325 | 3080 | 9.2 | 3.77E-03 | GKS09 - 3A □□□ 090C22 MDSKA□□ 090-22 80 |
| 339 | 104 | 6.0 | 39.662 | 882 | 9325 | 1055 | 9326 | 3002 | 74 | 4.80E-03 | GKS09 - 3A □□□ 090C22 MDSKA□□ 090-22 140 |
| 418 | 85 | 5.6 | 48.625 | 1081 | 9325 | 1293 | 9326 | 3017 | 64 | 4.49E-03 | GKS09 - 3A □□□ 090C22 MDSKA□□ 090-22 140 |
| 507 | 70 | 4.7 | 58.456 | 1299 | 9325 | 1555 | 9326 | 3031 | 53 | 4.15E-03 | GKS09 - 3A □□□ 090C22 MDSKA□□ 090-22 140 |
| 575 | 62 | 4.2 | 65.879 | 1464 | 9325 | 1752 | 9326 | 3048 | 47 | 4.15E-03 | GKS09 - 3A □□□ 090C22 MDSKA□□ 090-22 140 |
| 621 | 58 | 3.8 | 70.982 | 1578 | 9325 | 1888 | 9326 | 3031 | 44 | 4.01E-03 | GKS09 - 3A □□□ 090C22 MDSKA□□ 090-22 140 |
| 703 | 51 | 3.5 | 79.996 | 1778 | 9325 | 2128 | 9326 | 3071 | 39 | 4.01E-03 | GKS09 - 3A □□□ 090C22 MDSKA□□ 090-22 140 |
| 812 | 45 | 3.0 | 91.860 | 2042 | 9325 | 2443 | 9326 | 3031 | 34 | 3.86E-03 | GKS09 - 3A □□□ 090C22 MDSKA□□ 090-22 140 |
| 918 | 40 | 2.7 | 103.524 | 2301 | 9325 | 2753 | 9326 | 3080 | 30 | 3.86E-03 | GKS09 - 3A □□□ 090C22 MDSKA□□ 090-22 140 |
| 988 | 37 | 2.7 | 111.484 | 2478 | 9325 | 2965 | 9326 | 3031 | 28 | 3.79E-03 | GKS09 - 3A □□□ 090C22 MDSKA□□ 090-22 140 |
| 1116 | 33 | 2.4 | 125.641 | 2793 | 9325 | 3342 | 9326 | 3080 | 25 | 3.79E-03 | GKS09 - 3A □□□ 090C22 MDSKA□□ 090-22 140 |
| 1631 | 23 | 1.7 | 182.000 | 4045 | 9325 | 4547 | 9326 | 3031 | 17 | 3.83E-03 | GKS09 - 3A □□□ 090C22 MDSKA□□ 090-22 140 |
| 1841 | 20 | 1.5 | 205.111 | 4559 | 9325 | 4620 | 9326 | 3080 | 15 | 3.82E-03 | GKS09 - 3A □□□ 090C22 MDSKA□□ 090-22 140 |

Observe the notes for thermal dimensioning.

Selection tables - Helical-bevel gearboxes

Naturally ventilated asynchronous geared servo motors



| M ₂ [Nm] | n _{2 trans} [rpm] | c | i | M _{2 max} short-time on geared motor at | | | | M _{2 Gr} gearbox c=1 n ₁ ≤ 1400 rpm [Nm] | n _{2 therm} [rpm] | J _{GM} referred to motor shaft [kgm ²] | Helical-bevel geared servo motor Dimensions on Page 6-88 |
|------------------------|-------------------------------|-----|---------|--|-------------|----------------------------|-------------|---|-------------------------------|--|---|
| | | | | 8 kHz | | 16 kHz | | | | | |
| | | | | M _{2 max} [Nm] | Type EVS | M _{2 max} [Nm] | Type EVS | | | | |
| 1985 | 19 | 1.4 | 220.882 | 4547 | 9325 | 4547 | 9326 | 3031 | 14 | 3.77E-03 | GKS09 - 3A □□□ 090C22 MDSKA□□ 090-22 140 |
| 2241 | 17 | 1.2 | 248.930 | 4620 | 9325 | 4620 | 9326 | 3080 | 13 | 3.77E-03 | GKS09 - 3A □□□ 090C22 MDSKA□□ 090-22 140 |
| 431 | 80 | 5.6 | 29.228 | 1310 | 9325 | 938 | 9325 | 2914 | 80 | 8.79E-03 | GKS09 - 3A □□□ 100C22 MDSKA□□ 100-22 80 |
| 488 | 71 | 5.0 | 32.940 | 1477 | 9325 | 1058 | 9325 | 2984 | 71 | 8.76E-03 | GKS09 - 3A □□□ 100C22 MDSKA□□ 100-22 80 |
| 523 | 66 | 4.8 | 35.193 | 1578 | 9325 | 1130 | 9325 | 3029 | 66 | 8.42E-03 | GKS09 - 3A □□□ 100C22 MDSKA□□ 100-22 80 |
| 593 | 59 | 4.2 | 39.662 | 1778 | 9325 | 1273 | 9325 | 3002 | 59 | 8.40E-03 | GKS09 - 3A □□□ 100C22 MDSKA□□ 100-22 80 |
| 644 | 54 | 4.4 | 43.146 | 1934 | 9325 | 1385 | 9325 | 3024 | 54 | 8.10E-03 | GKS09 - 3A □□□ 100C22 MDSKA□□ 100-22 80 |
| 730 | 48 | 3.9 | 48.625 | 2180 | 9325 | 1561 | 9325 | 3017 | 48 | 8.09E-03 | GKS09 - 3A □□□ 100C22 MDSKA□□ 100-22 80 |
| 883 | 40 | 3.3 | 58.456 | 2621 | 9325 | 1877 | 9325 | 3031 | 40 | 7.75E-03 | GKS09 - 3A □□□ 100C22 MDSKA□□ 100-22 80 |
| 999 | 36 | 2.9 | 65.879 | 2954 | 9325 | 2115 | 9325 | 3048 | 36 | 7.75E-03 | GKS09 - 3A □□□ 100C22 MDSKA□□ 100-22 80 |
| 1079 | 33 | 2.7 | 70.982 | 3182 | 9325 | 2279 | 9325 | 3031 | 33 | 7.61E-03 | GKS09 - 3A □□□ 100C22 MDSKA□□ 100-22 80 |
| 1220 | 29 | 2.4 | 79.996 | 3587 | 9325 | 2568 | 9325 | 3071 | 29 | 7.61E-03 | GKS09 - 3A □□□ 100C22 MDSKA□□ 100-22 80 |
| 357 | 126 | 5.7 | 32.940 | 1355 | 9326 | 807 | 9326 | 2984 | 74 | 8.76E-03 | GKS09 - 3A □□□ 100C22 MDSKA□□ 100-22 140 |
| 383 | 118 | 5.4 | 35.193 | 1448 | 9326 | 863 | 9326 | 3029 | 70 | 8.42E-03 | GKS09 - 3A □□□ 100C22 MDSKA□□ 100-22 140 |
| 434 | 105 | 4.7 | 39.662 | 1631 | 9326 | 972 | 9326 | 3002 | 62 | 8.40E-03 | GKS09 - 3A □□□ 100C22 MDSKA□□ 100-22 140 |
| 471 | 96 | 5.0 | 43.146 | 1775 | 9326 | 1057 | 9326 | 3024 | 57 | 8.10E-03 | GKS09 - 3A □□□ 100C22 MDSKA□□ 100-22 140 |
| 534 | 85 | 4.4 | 48.625 | 2000 | 9326 | 1192 | 9326 | 3017 | 50 | 8.09E-03 | GKS09 - 3A □□□ 100C22 MDSKA□□ 100-22 140 |
| 647 | 71 | 3.7 | 58.456 | 2404 | 9326 | 1433 | 9326 | 3031 | 42 | 7.75E-03 | GKS09 - 3A □□□ 100C22 MDSKA□□ 100-22 140 |
| 733 | 63 | 3.3 | 65.879 | 2710 | 9326 | 1615 | 9326 | 3048 | 37 | 7.75E-03 | GKS09 - 3A □□□ 100C22 MDSKA□□ 100-22 140 |
| 792 | 58 | 3.0 | 70.982 | 2919 | 9326 | 1740 | 9326 | 3031 | 35 | 7.61E-03 | GKS09 - 3A □□□ 100C22 MDSKA□□ 100-22 140 |
| 895 | 52 | 2.7 | 79.996 | 3290 | 9326 | 1960 | 9326 | 3071 | 31 | 7.61E-03 | GKS09 - 3A □□□ 100C22 MDSKA□□ 100-22 140 |
| 276 | 203 | 4.8 | 12.283 | 910 | 9326 | 651 | 9326 | 1615 | 163 | 2.14E-02 | GKS09 - 3A □□□ 112C22 MDSKA□□ 112-22 85 |
| 300 | 186 | 4.8 | 13.360 | 990 | 9326 | 708 | 9326 | 1757 | 150 | 2.13E-02 | GKS09 - 3A □□□ 112C22 MDSKA□□ 112-22 85 |
| 365 | 154 | 4.0 | 16.122 | 1195 | 9326 | 855 | 9326 | 1801 | 125 | 2.03E-02 | GKS09 - 3A □□□ 112C22 MDSKA□□ 112-22 85 |
| 397 | 142 | 4.0 | 17.536 | 1299 | 9326 | 929 | 9326 | 1958 | 115 | 2.02E-02 | GKS09 - 3A □□□ 112C22 MDSKA□□ 112-22 85 |
| 439 | 127 | 4.8 | 19.541 | 1448 | 9326 | 1036 | 9326 | 2570 | 102 | 2.11E-02 | GKS09 - 3A □□□ 112C22 MDSKA□□ 112-22 85 |
| 496 | 113 | 4.4 | 22.022 | 1632 | 9326 | 1167 | 9326 | 2672 | 89 | 2.10E-02 | GKS09 - 3A □□□ 112C22 MDSKA□□ 112-22 85 |
| 580 | 97 | 4.0 | 25.649 | 1900 | 9326 | 1360 | 9326 | 2862 | 79 | 2.01E-02 | GKS09 - 3A □□□ 112C22 MDSKA□□ 112-22 85 |
| 664 | 85 | 3.6 | 29.228 | 2166 | 9326 | 1549 | 9326 | 2914 | 69 | 1.96E-02 | GKS09 - 3A □□□ 112C22 MDSKA□□ 112-22 85 |
| 751 | 76 | 3.3 | 32.940 | 2441 | 9326 | 1746 | 9326 | 2984 | 61 | 1.96E-02 | GKS09 - 3A □□□ 112C22 MDSKA□□ 112-22 85 |
| 804 | 71 | 3.1 | 35.193 | 2607 | 9326 | 1865 | 9326 | 3029 | 57 | 1.92E-02 | GKS09 - 3A □□□ 112C22 MDSKA□□ 112-22 85 |
| 910 | 63 | 2.7 | 39.662 | 2939 | 9326 | 2102 | 9326 | 3002 | 51 | 1.92E-02 | GKS09 - 3A □□□ 112C22 MDSKA□□ 112-22 85 |
| 988 | 58 | 2.9 | 43.146 | 3197 | 9326 | 2287 | 9326 | 3024 | 47 | 1.89E-02 | GKS09 - 3A □□□ 112C22 MDSKA□□ 112-22 85 |
| 1118 | 51 | 2.5 | 48.625 | 3603 | 9326 | 2577 | 9326 | 3017 | 41 | 1.89E-02 | GKS09 - 3A □□□ 112C22 MDSKA□□ 112-22 85 |

Observe the notes for thermal dimensioning.

Selection tables - Helical-bevel gearboxes

Naturally ventilated asynchronous geared servo motors

| M ₂ [Nm] | n ₂ trans [rpm] | c | i | M ₂ max short-time on geared motor at | | | | M ₂ Gr gearbox c=1 n ₁ ≤ 1400 rpm [Nm] | n ₂ therm [rpm] | J _{GM} referred to motor shaft [kgm ²] | Helical-bevel geared servo motor Dimensions on Page 6-88 |
|------------------------|-------------------------------|------------|----------------|---|-------------|----------------------------|-------------|--|-------------------------------|---|---|
| | | | | 8 kHz | | 16 kHz | | | | | |
| | | | | M ₂ max [Nm] | Type EVS | M ₂ max [Nm] | Type EVS | | | | |
| 188 | 339 | 5.8 | 12.283 | 512 | 9326 | 438 | 9327 | 1615 | 164 | 2.14E-02 | GKS09 - 3A □□□ 112C22 MDSKA□□ 112-22 140 |
| 205 | 311 | 5.8 | 13.360 | 557 | 9326 | 476 | 9327 | 1757 | 151 | 2.13E-02 | GKS09 - 3A □□□ 112C22 MDSKA□□ 112-22 140 |
| 250 | 258 | 4.9 | 16.122 | 672 | 9326 | 574 | 9327 | 1801 | 125 | 2.03E-02 | GKS09 - 3A □□□ 112C22 MDSKA□□ 112-22 140 |
| 271 | 237 | 4.9 | 17.536 | 731 | 9326 | 625 | 9327 | 1958 | 115 | 2.02E-02 | GKS09 - 3A □□□ 112C22 MDSKA□□ 112-22 140 |
| 300 | 213 | 5.8 | 19.541 | 815 | 9326 | 696 | 9327 | 2570 | 103 | 2.11E-02 | GKS09 - 3A □□□ 112C22 MDSKA□□ 112-22 140 |
| 339 | 189 | 5.3 | 22.022 | 918 | 9326 | 784 | 9327 | 2672 | 91 | 2.10E-02 | GKS09 - 3A □□□ 112C22 MDSKA□□ 112-22 140 |
| 397 | 162 | 4.9 | 25.649 | 1070 | 9326 | 914 | 9327 | 2862 | 79 | 2.01E-02 | GKS09 - 3A □□□ 112C22 MDSKA□□ 112-22 140 |
| 455 | 142 | 4.4 | 29.228 | 1219 | 9326 | 1041 | 9327 | 2914 | 69 | 1.96E-02 | GKS09 - 3A □□□ 112C22 MDSKA□□ 112-22 140 |
| 515 | 126 | 4.0 | 32.940 | 1374 | 9326 | 1173 | 9327 | 2984 | 61 | 1.96E-02 | GKS09 - 3A □□□ 112C22 MDSKA□□ 112-22 140 |
| 552 | 118 | 3.8 | 35.193 | 1468 | 9326 | 1254 | 9327 | 3029 | 57 | 1.92E-02 | GKS09 - 3A □□□ 112C22 MDSKA□□ 112-22 140 |
| 625 | 105 | 3.3 | 39.662 | 1654 | 9326 | 1413 | 9327 | 3002 | 51 | 1.92E-02 | GKS09 - 3A □□□ 112C22 MDSKA□□ 112-22 140 |
| 678 | 96 | 3.5 | 43.146 | 1799 | 9326 | 1537 | 9327 | 3024 | 47 | 1.89E-02 | GKS09 - 3A □□□ 112C22 MDSKA□□ 112-22 140 |
| 768 | 86 | 3.1 | 48.625 | 2028 | 9326 | 1732 | 9327 | 3017 | 41 | 1.89E-02 | GKS09 - 3A □□□ 112C22 MDSKA□□ 112-22 140 |
| 581 | 12 | 4.6 | 323.365 | 1344 | 9322 | 1600 | 9323 | 3031 | 12 | 3.11E-04 | GKS09 - 4A □□□ 056C22 MDSKA□□ 056-22 140 |
| 658 | 11 | 4.1 | 364.427 | 1514 | 9322 | 1803 | 9323 | 3071 | 11 | 3.11E-04 | GKS09 - 4A □□□ 056C22 MDSKA□□ 056-22 140 |
| 730 | 9.8 | 3.7 | 402.234 | 1671 | 9322 | 1991 | 9323 | 3031 | 9.8 | 2.91E-04 | GKS09 - 4A □□□ 056C22 MDSKA□□ 056-22 140 |
| 826 | 8.7 | 3.3 | 453.311 | 1884 | 9322 | 2243 | 9323 | 3071 | 8.7 | 2.91E-04 | GKS09 - 4A □□□ 056C22 MDSKA□□ 056-22 140 |
| 953 | 7.6 | 2.8 | 520.538 | 2163 | 9322 | 2576 | 9323 | 3031 | 7.6 | 2.87E-04 | GKS09 - 4A □□□ 056C22 MDSKA□□ 056-22 140 |
| 1077 | 6.7 | 2.6 | 586.638 | 2438 | 9322 | 2903 | 9323 | 3080 | 6.7 | 2.86E-04 | GKS09 - 4A □□□ 056C22 MDSKA□□ 056-22 140 |
| 1163 | 6.3 | 2.3 | 631.744 | 2625 | 9322 | 3126 | 9323 | 3031 | 6.3 | 2.84E-04 | GKS09 - 4A □□□ 056C22 MDSKA□□ 056-22 140 |
| 1314 | 5.6 | 2.1 | 711.965 | 2958 | 9322 | 3523 | 9323 | 3080 | 5.6 | 2.84E-04 | GKS09 - 4A □□□ 056C22 MDSKA□□ 056-22 140 |
| 1513 | 4.8 | 1.8 | 817.551 | 3397 | 9322 | 4046 | 9323 | 3031 | 4.8 | 2.68E-04 | GKS09 - 4A □□□ 056C22 MDSKA□□ 056-22 140 |
| 1709 | 4.3 | 1.6 | 921.367 | 3828 | 9322 | 4560 | 9323 | 3080 | 4.3 | 2.68E-04 | GKS09 - 4A □□□ 056C22 MDSKA□□ 056-22 140 |
| 1843 | 4.0 | 1.5 | 992.209 | 4123 | 9322 | 4547 | 9323 | 3031 | 4.0 | 2.60E-04 | GKS09 - 4A □□□ 056C22 MDSKA□□ 056-22 140 |
| 2080 | 3.5 | 1.3 | 1118.204 | 4620 | 9322 | 4620 | 9323 | 3080 | 3.5 | 2.60E-04 | GKS09 - 4A □□□ 056C22 MDSKA□□ 056-22 140 |
| 2338 | 3.2 | 1.2 | 1254.197 | 4547 | 9322 | 4547 | 9323 | 3031 | 3.2 | 2.53E-04 | GKS09 - 4A □□□ 056C22 MDSKA□□ 056-22 140 |
| 2638 | 2.8 | 1.1 | 1413.461 | 4620 | 9322 | 4620 | 9323 | 3080 | 2.8 | 2.53E-04 | GKS09 - 4A □□□ 056C22 MDSKA□□ 056-22 140 |
| 436 | 33 | 5.9 | 123.275 | 1450 | 9324 | 1059 | 9324 | 3024 | 33 | 1.04E-03 | GKS09 - 4A □□□ 071C22 MDSKA□□ 071-22 140 |
| 495 | 29 | 5.3 | 138.929 | 1635 | 9324 | 1193 | 9324 | 3017 | 29 | 1.04E-03 | GKS09 - 4A □□□ 071C22 MDSKA□□ 071-22 140 |
| 541 | 27 | 4.9 | 151.012 | 1777 | 9324 | 1297 | 9324 | 3024 | 27 | 9.82E-04 | GKS09 - 4A □□□ 071C22 MDSKA□□ 071-22 140 |
| 613 | 24 | 4.3 | 170.188 | 2002 | 9324 | 1462 | 9324 | 3017 | 24 | 9.81E-04 | GKS09 - 4A □□□ 071C22 MDSKA□□ 071-22 140 |
| 743 | 20 | 3.6 | 204.596 | 2407 | 9324 | 1758 | 9324 | 3031 | 20 | 9.54E-04 | GKS09 - 4A □□□ 071C22 MDSKA□□ 071-22 140 |
| 841 | 18 | 3.2 | 230.577 | 2713 | 9324 | 1981 | 9324 | 3048 | 18 | 9.54E-04 | GKS09 - 4A □□□ 071C22 MDSKA□□ 071-22 140 |
| 908 | 16 | 3.0 | 248.439 | 2923 | 9324 | 2134 | 9324 | 3031 | 16 | 9.43E-04 | GKS09 - 4A □□□ 071C22 MDSKA□□ 071-22 140 |

Observe the notes for thermal dimensioning.

Selection tables - Helical-bevel gearboxes

Naturally ventilated asynchronous geared servo motors



| M ₂ [Nm] | n ₂ trans [rpm] | c | i | M ₂ max short-time on geared motor at | | | | M ₂ Gr gearbox c=1 n ₁ ≤ 1400 rpm [Nm] | n ₂ therm [rpm] | J _{GM} referred to motor shaft [kgm ²] | Helical-bevel geared servo motor Dimensions on Page 6-88 |
|------------------------|-------------------------------|-----|---------|---|-------------|----------------------------|-------------|--|-------------------------------|---|---|
| | | | | 8 kHz | | 16 kHz | | | | | |
| | | | | M ₂ max [Nm] | Type EVS | M ₂ max [Nm] | Type EVS | | | | |
| 1027 | 14 | 2.7 | 279.986 | 3294 | 9324 | 2405 | 9324 | 3071 | 14 | 9.42E-04 | GKS09 - 4A □□□ 071C22 MDSKA□□ 071-22 140 |
| 1191 | 13 | 2.3 | 323.365 | 3804 | 9324 | 2778 | 9324 | 3031 | 13 | 9.01E-04 | GKS09 - 4A □□□ 071C22 MDSKA□□ 071-22 140 |
| 1346 | 11 | 2.0 | 364.427 | 4287 | 9324 | 3131 | 9324 | 3071 | 11 | 9.01E-04 | GKS09 - 4A □□□ 071C22 MDSKA□□ 071-22 140 |
| 1489 | 10 | 1.8 | 402.234 | 4547 | 9324 | 3455 | 9324 | 3031 | 10 | 8.81E-04 | GKS09 - 4A □□□ 071C22 MDSKA□□ 071-22 140 |
| 1681 | 8.9 | 1.6 | 453.311 | 4607 | 9324 | 3894 | 9324 | 3071 | 8.9 | 8.81E-04 | GKS09 - 4A □□□ 071C22 MDSKA□□ 071-22 140 |
| 1936 | 7.8 | 1.4 | 520.538 | 4547 | 9324 | 4472 | 9324 | 3031 | 7.8 | 8.77E-04 | GKS09 - 4A □□□ 071C22 MDSKA□□ 071-22 140 |
| 2185 | 6.9 | 1.3 | 586.638 | 4620 | 9324 | 4620 | 9324 | 3080 | 6.9 | 8.76E-04 | GKS09 - 4A □□□ 071C22 MDSKA□□ 071-22 140 |
| 2355 | 6.4 | 1.2 | 631.744 | 4547 | 9324 | 4547 | 9324 | 3031 | 6.4 | 8.74E-04 | GKS09 - 4A □□□ 071C22 MDSKA□□ 071-22 140 |
| 2658 | 5.7 | 1.0 | 711.965 | 4620 | 9324 | 4620 | 9324 | 3080 | 5.7 | 8.74E-04 | GKS09 - 4A □□□ 071C22 MDSKA□□ 071-22 140 |
| 603 | 20 | 4.8 | 100.551 | 1418 | 9323 | 1990 | 9324 | 3029 | 20 | 2.17E-03 | GKS09 - 4A □□□ 080C22 MDSKA□□ 080-22 70 |
| 684 | 18 | 4.2 | 113.320 | 1598 | 9323 | 2243 | 9324 | 3002 | 18 | 2.17E-03 | GKS09 - 4A □□□ 080C22 MDSKA□□ 080-22 70 |
| 747 | 16 | 3.9 | 123.275 | 1738 | 9323 | 2440 | 9324 | 3024 | 16 | 2.13E-03 | GKS09 - 4A □□□ 080C22 MDSKA□□ 080-22 70 |
| 846 | 14 | 3.5 | 138.929 | 1959 | 9323 | 2750 | 9324 | 3017 | 14 | 2.13E-03 | GKS09 - 4A □□□ 080C22 MDSKA□□ 080-22 70 |
| 922 | 13 | 3.2 | 151.012 | 2129 | 9323 | 2989 | 9324 | 3024 | 13 | 2.07E-03 | GKS09 - 4A □□□ 080C22 MDSKA□□ 080-22 70 |
| 1044 | 12 | 2.8 | 170.188 | 2400 | 9323 | 3369 | 9324 | 3017 | 12 | 2.07E-03 | GKS09 - 4A □□□ 080C22 MDSKA□□ 080-22 70 |
| 1261 | 9.8 | 2.4 | 204.596 | 2885 | 9323 | 4050 | 9324 | 3031 | 9.8 | 2.04E-03 | GKS09 - 4A □□□ 080C22 MDSKA□□ 080-22 70 |
| 1425 | 8.7 | 2.1 | 230.577 | 3251 | 9323 | 4564 | 9324 | 3048 | 8.7 | 2.04E-03 | GKS09 - 4A □□□ 080C22 MDSKA□□ 080-22 70 |
| 1538 | 8.1 | 2.0 | 248.439 | 3503 | 9323 | 4547 | 9324 | 3031 | 8.1 | 2.03E-03 | GKS09 - 4A □□□ 080C22 MDSKA□□ 080-22 70 |
| 1737 | 7.1 | 1.8 | 279.986 | 3948 | 9323 | 4607 | 9324 | 3071 | 7.1 | 2.03E-03 | GKS09 - 4A □□□ 080C22 MDSKA□□ 080-22 70 |
| 2012 | 6.2 | 1.5 | 323.365 | 4547 | 9323 | 4547 | 9324 | 3031 | 6.2 | 1.99E-03 | GKS09 - 4A □□□ 080C22 MDSKA□□ 080-22 70 |
| 2271 | 5.5 | 1.3 | 364.427 | 4607 | 9323 | 4607 | 9324 | 3071 | 5.5 | 1.99E-03 | GKS09 - 4A □□□ 080C22 MDSKA□□ 080-22 70 |
| 2511 | 5.0 | 1.2 | 402.234 | 4547 | 9323 | 4547 | 9324 | 3031 | 5.0 | 1.97E-03 | GKS09 - 4A □□□ 080C22 MDSKA□□ 080-22 70 |
| 2833 | 4.4 | 1.1 | 453.311 | 4607 | 9323 | 4607 | 9324 | 3071 | 4.4 | 1.97E-03 | GKS09 - 4A □□□ 080C22 MDSKA□□ 080-22 70 |
| 486 | 41 | 4.9 | 100.551 | 1239 | 9324 | 1793 | 9325 | 3029 | 36 | 2.17E-03 | GKS09 - 4A □□□ 080C22 MDSKA□□ 080-22 140 |
| 549 | 36 | 4.7 | 113.320 | 1397 | 9324 | 2021 | 9325 | 3002 | 32 | 2.17E-03 | GKS09 - 4A □□□ 080C22 MDSKA□□ 080-22 140 |
| 599 | 33 | 4.4 | 123.275 | 1519 | 9324 | 2199 | 9325 | 3024 | 29 | 2.13E-03 | GKS09 - 4A □□□ 080C22 MDSKA□□ 080-22 140 |
| 679 | 30 | 3.9 | 138.929 | 1712 | 9324 | 2478 | 9325 | 3017 | 26 | 2.13E-03 | GKS09 - 4A □□□ 080C22 MDSKA□□ 080-22 140 |
| 740 | 27 | 3.6 | 151.012 | 1861 | 9324 | 2693 | 9325 | 3024 | 24 | 2.07E-03 | GKS09 - 4A □□□ 080C22 MDSKA□□ 080-22 140 |
| 838 | 24 | 3.2 | 170.188 | 2098 | 9324 | 3035 | 9325 | 3017 | 21 | 2.07E-03 | GKS09 - 4A □□□ 080C22 MDSKA□□ 080-22 140 |
| 1013 | 20 | 2.6 | 204.596 | 2522 | 9324 | 3649 | 9325 | 3031 | 18 | 2.04E-03 | GKS09 - 4A □□□ 080C22 MDSKA□□ 080-22 140 |
| 1146 | 18 | 2.4 | 230.577 | 2842 | 9324 | 4112 | 9325 | 3048 | 16 | 2.04E-03 | GKS09 - 4A □□□ 080C22 MDSKA□□ 080-22 140 |
| 1237 | 17 | 2.2 | 248.439 | 3062 | 9324 | 4431 | 9325 | 3031 | 14 | 2.03E-03 | GKS09 - 4A □□□ 080C22 MDSKA□□ 080-22 140 |
| 1397 | 15 | 2.0 | 279.986 | 3451 | 9324 | 4607 | 9325 | 3071 | 13 | 2.03E-03 | GKS09 - 4A □□□ 080C22 MDSKA□□ 080-22 140 |
| 1619 | 13 | 1.7 | 323.365 | 3986 | 9324 | 4547 | 9325 | 3031 | 11 | 1.99E-03 | GKS09 - 4A □□□ 080C22 MDSKA□□ 080-22 140 |

Observe the notes for thermal dimensioning.

Selection tables - Helical-bevel gearboxes

Naturally ventilated asynchronous geared servo motors

| M ₂ [Nm] | n _{2 trans} [rpm] | c | i | M _{2 max} short-time on geared motor at | | | | M _{2 Gr} gearbox c=1 n ₁ ≤1400 rpm [Nm] | n _{2 therm} [rpm] | J _{GM} referred to motor shaft [kgm ²] | Helical-bevel geared servo motor Dimensions on Page 6-88 |
|------------------------|-------------------------------|-----|---------|---|-------------|----------------------------|-------------|---|-------------------------------|---|---|
| | | | | 8 kHz | | 16 kHz | | | | | |
| | | | | M _{2 max} [Nm] | Type EVS | M _{2 max} [Nm] | Type EVS | | | | |
| 1828 | 11 | 1.5 | 364.427 | 4492 | 9324 | 4607 | 9325 | 3071 | 9.9 | 1.99E-03 | GKS09 - 4A □□□ 080C22 MDSKA□□ 080-22 140 |
| 2021 | 10 | 1.3 | 402.234 | 4547 | 9324 | 4547 | 9325 | 3031 | 8.9 | 1.97E-03 | GKS09 - 4A □□□ 080C22 MDSKA□□ 080-22 140 |
| 2280 | 9.0 | 1.2 | 453.311 | 4607 | 9324 | 4607 | 9325 | 3071 | 7.9 | 1.97E-03 | GKS09 - 4A □□□ 080C22 MDSKA□□ 080-22 140 |
| 2623 | 7.9 | 1.0 | 520.538 | 4547 | 9324 | 4547 | 9325 | 3031 | 6.9 | 1.97E-03 | GKS09 - 4A □□□ 080C22 MDSKA□□ 080-22 140 |
| 993 | 23 | 2.9 | 100.551 | 2291 | 9324 | 3239 | 9325 | 3029 | 23 | 3.85E-03 | GKS09 - 4A □□□ 090C22 MDSKA□□ 090-22 80 |
| 1123 | 20 | 2.6 | 113.320 | 2582 | 9324 | 3650 | 9325 | 3002 | 20 | 3.85E-03 | GKS09 - 4A □□□ 090C22 MDSKA□□ 090-22 80 |
| 1224 | 19 | 2.4 | 123.275 | 2809 | 9324 | 3971 | 9325 | 3024 | 19 | 3.81E-03 | GKS09 - 4A □□□ 090C22 MDSKA□□ 090-22 80 |
| 1384 | 17 | 2.2 | 138.929 | 3165 | 9324 | 4475 | 9325 | 3017 | 17 | 3.81E-03 | GKS09 - 4A □□□ 090C22 MDSKA□□ 090-22 80 |
| 1507 | 15 | 2.0 | 151.012 | 3440 | 9324 | 4536 | 9325 | 3024 | 15 | 3.75E-03 | GKS09 - 4A □□□ 090C22 MDSKA□□ 090-22 80 |
| 1702 | 14 | 1.8 | 170.188 | 3877 | 9324 | 4526 | 9325 | 3017 | 14 | 3.75E-03 | GKS09 - 4A □□□ 090C22 MDSKA□□ 090-22 80 |
| 2053 | 11 | 1.5 | 204.596 | 4547 | 9324 | 4547 | 9325 | 3031 | 11 | 3.72E-03 | GKS09 - 4A □□□ 090C22 MDSKA□□ 090-22 80 |
| 2317 | 10.0 | 1.3 | 230.577 | 4572 | 9324 | 4572 | 9325 | 3048 | 10.0 | 3.72E-03 | GKS09 - 4A □□□ 090C22 MDSKA□□ 090-22 80 |
| 2500 | 9.3 | 1.2 | 248.439 | 4547 | 9324 | 4547 | 9325 | 3031 | 9.3 | 3.71E-03 | GKS09 - 4A □□□ 090C22 MDSKA□□ 090-22 80 |
| 2821 | 8.2 | 1.1 | 279.986 | 4607 | 9324 | 4607 | 9325 | 3071 | 8.2 | 3.71E-03 | GKS09 - 4A □□□ 090C22 MDSKA□□ 090-22 80 |
| 875 | 41 | 2.8 | 100.551 | 2197 | 9325 | 2629 | 9326 | 3029 | 31 | 3.85E-03 | GKS09 - 4A □□□ 090C22 MDSKA□□ 090-22 140 |
| 987 | 36 | 2.7 | 113.320 | 2476 | 9325 | 2963 | 9326 | 3002 | 27 | 3.85E-03 | GKS09 - 4A □□□ 090C22 MDSKA□□ 090-22 140 |
| 1076 | 33 | 2.5 | 123.275 | 2693 | 9325 | 3223 | 9326 | 3024 | 25 | 3.81E-03 | GKS09 - 4A □□□ 090C22 MDSKA□□ 090-22 140 |
| 1216 | 30 | 2.2 | 138.929 | 3035 | 9325 | 3632 | 9326 | 3017 | 22 | 3.81E-03 | GKS09 - 4A □□□ 090C22 MDSKA□□ 090-22 140 |
| 1325 | 27 | 2.0 | 151.012 | 3299 | 9325 | 3948 | 9326 | 3024 | 21 | 3.75E-03 | GKS09 - 4A □□□ 090C22 MDSKA□□ 090-22 140 |
| 1497 | 24 | 1.8 | 170.188 | 3718 | 9325 | 4449 | 9326 | 3017 | 18 | 3.75E-03 | GKS09 - 4A □□□ 090C22 MDSKA□□ 090-22 140 |
| 1805 | 20 | 1.5 | 204.596 | 4470 | 9325 | 4547 | 9326 | 3031 | 15 | 3.72E-03 | GKS09 - 4A □□□ 090C22 MDSKA□□ 090-22 140 |
| 2038 | 18 | 1.3 | 230.577 | 4572 | 9325 | 4572 | 9326 | 3048 | 13 | 3.72E-03 | GKS09 - 4A □□□ 090C22 MDSKA□□ 090-22 140 |
| 2198 | 17 | 1.2 | 248.439 | 4547 | 9325 | 4547 | 9326 | 3031 | 13 | 3.71E-03 | GKS09 - 4A □□□ 090C22 MDSKA□□ 090-22 140 |
| 2481 | 15 | 1.1 | 279.986 | 4607 | 9325 | 4607 | 9326 | 3071 | 11 | 3.71E-03 | GKS09 - 4A □□□ 090C22 MDSKA□□ 090-22 140 |
| 673 | 18 | 5.7 | 111.335 | 1597 | 9323 | 2242 | 9324 | 4042 | 18 | 2.53E-03 | GKS11 - 3A □□□ 080C22 MDSKA□□ 080-22 70 |
| 759 | 16 | 5.7 | 125.448 | 1799 | 9323 | 2526 | 9324 | 4555 | 16 | 2.52E-03 | GKS11 - 3A □□□ 080C22 MDSKA□□ 080-22 70 |
| 862 | 14 | 4.6 | 140.732 | 2019 | 9323 | 2834 | 9324 | 4107 | 14 | 2.32E-03 | GKS11 - 3A □□□ 080C22 MDSKA□□ 080-22 70 |
| 971 | 13 | 4.6 | 158.571 | 2274 | 9323 | 3193 | 9324 | 4628 | 13 | 2.31E-03 | GKS11 - 3A □□□ 080C22 MDSKA□□ 080-22 70 |
| 1137 | 11 | 5.0 | 186.572 | 2676 | 9323 | 3757 | 9324 | 5975 | 11 | 2.63E-03 | GKS11 - 3A □□□ 080C22 MDSKA□□ 080-22 70 |
| 1290 | 9.5 | 4.4 | 210.222 | 3015 | 9323 | 4233 | 9324 | 5892 | 9.5 | 2.63E-03 | GKS11 - 3A □□□ 080C22 MDSKA□□ 080-22 70 |
| 1393 | 8.8 | 4.1 | 226.431 | 3248 | 9323 | 4560 | 9324 | 5975 | 8.8 | 2.44E-03 | GKS11 - 3A □□□ 080C22 MDSKA□□ 080-22 70 |
| 1579 | 7.8 | 3.6 | 255.133 | 3659 | 9323 | 5138 | 9324 | 5892 | 7.8 | 2.44E-03 | GKS11 - 3A □□□ 080C22 MDSKA□□ 080-22 70 |
| 1778 | 7.0 | 3.3 | 286.219 | 4105 | 9323 | 5764 | 9324 | 5975 | 7.0 | 2.26E-03 | GKS11 - 3A □□□ 080C22 MDSKA□□ 080-22 70 |
| 2012 | 6.2 | 2.9 | 322.500 | 4626 | 9323 | 6494 | 9324 | 5892 | 6.2 | 2.26E-03 | GKS11 - 3A □□□ 080C22 MDSKA□□ 080-22 70 |

Observe the notes for thermal dimensioning.

Selection tables - Helical-bevel gearboxes

Naturally ventilated asynchronous geared servo motors



| M ₂ [Nm] | n ₂ trans [rpm] | c | i | M ₂ max short-time on geared motor at | | | | M ₂ Gr gearbox c=1 n ₁ ≤ 1400 rpm [Nm] | n ₂ therm [rpm] | J _{GM} referred to motor shaft [kgm ²] | Helical-bevel geared servo motor Dimensions on Page 6-88 |
|------------------------|-------------------------------|-----|---------|---|-------------|----------------------------|-------------|--|-------------------------------|---|---|
| | | | | 8 kHz | | 16 kHz | | | | | |
| | | | | M ₂ max [Nm] | Type EVS | M ₂ max [Nm] | Type EVS | | | | |
| 690 | 29 | 5.1 | 140.732 | 1765 | 9324 | 2553 | 9325 | 4107 | 26 | 2.32E-03 | GKS11 - 3A □□□ 080C22 MDSKA□□ 080-22 140 |
| 778 | 26 | 5.1 | 158.571 | 1988 | 9324 | 2877 | 9325 | 4628 | 23 | 2.31E-03 | GKS11 - 3A □□□ 080C22 MDSKA□□ 080-22 140 |
| 910 | 22 | 5.6 | 186.572 | 2339 | 9324 | 3385 | 9325 | 5975 | 19 | 2.63E-03 | GKS11 - 3A □□□ 080C22 MDSKA□□ 080-22 140 |
| 1034 | 20 | 4.9 | 210.222 | 2636 | 9324 | 3814 | 9325 | 5892 | 17 | 2.63E-03 | GKS11 - 3A □□□ 080C22 MDSKA□□ 080-22 140 |
| 1117 | 18 | 4.6 | 226.431 | 2839 | 9324 | 4108 | 9325 | 5975 | 16 | 2.44E-03 | GKS11 - 3A □□□ 080C22 MDSKA□□ 080-22 140 |
| 1267 | 16 | 4.1 | 255.133 | 3199 | 9324 | 4629 | 9325 | 5892 | 14 | 2.44E-03 | GKS11 - 3A □□□ 080C22 MDSKA□□ 080-22 140 |
| 1427 | 14 | 3.7 | 286.219 | 3589 | 9324 | 5193 | 9325 | 5975 | 13 | 2.26E-03 | GKS11 - 3A □□□ 080C22 MDSKA□□ 080-22 140 |
| 1616 | 13 | 3.2 | 322.500 | 4044 | 9324 | 5851 | 9325 | 5892 | 11 | 2.26E-03 | GKS11 - 3A □□□ 080C22 MDSKA□□ 080-22 140 |
| 903 | 25 | 4.9 | 91.737 | 2126 | 9324 | 3006 | 9325 | 4660 | 25 | 4.43E-03 | GKS11 - 3A □□□ 090C22 MDSKA□□ 090-22 80 |
| 1017 | 22 | 4.9 | 103.365 | 2396 | 9324 | 3387 | 9325 | 5250 | 22 | 4.42E-03 | GKS11 - 3A □□□ 090C22 MDSKA□□ 090-22 80 |
| 1104 | 21 | 4.1 | 111.335 | 2580 | 9324 | 3649 | 9325 | 4734 | 21 | 4.21E-03 | GKS11 - 3A □□□ 090C22 MDSKA□□ 090-22 80 |
| 1244 | 18 | 4.1 | 125.448 | 2908 | 9324 | 4111 | 9325 | 5335 | 18 | 4.20E-03 | GKS11 - 3A □□□ 090C22 MDSKA□□ 090-22 80 |
| 1408 | 16 | 3.3 | 140.732 | 3262 | 9324 | 4612 | 9325 | 4811 | 16 | 4.00E-03 | GKS11 - 3A □□□ 090C22 MDSKA□□ 090-22 80 |
| 1587 | 15 | 3.3 | 158.571 | 3675 | 9324 | 5196 | 9325 | 5421 | 15 | 3.99E-03 | GKS11 - 3A □□□ 090C22 MDSKA□□ 090-22 80 |
| 1871 | 12 | 3.1 | 186.572 | 4324 | 9324 | 6114 | 9325 | 5975 | 12 | 4.31E-03 | GKS11 - 3A □□□ 090C22 MDSKA□□ 090-22 80 |
| 2117 | 11 | 2.7 | 210.222 | 4872 | 9324 | 6889 | 9325 | 5892 | 11 | 4.31E-03 | GKS11 - 3A □□□ 090C22 MDSKA□□ 090-22 80 |
| 2284 | 10 | 2.6 | 226.431 | 5248 | 9324 | 7420 | 9325 | 5975 | 10 | 4.12E-03 | GKS11 - 3A □□□ 090C22 MDSKA□□ 090-22 80 |
| 2583 | 9.0 | 2.3 | 255.133 | 5913 | 9324 | 8361 | 9325 | 5892 | 9.0 | 4.12E-03 | GKS11 - 3A □□□ 090C22 MDSKA□□ 090-22 80 |
| 2904 | 8.0 | 2.0 | 286.219 | 6634 | 9324 | 8963 | 9325 | 5975 | 8.0 | 3.94E-03 | GKS11 - 3A □□□ 090C22 MDSKA□□ 090-22 80 |
| 3281 | 7.1 | 1.8 | 322.500 | 7475 | 9324 | 8838 | 9325 | 5892 | 7.1 | 3.94E-03 | GKS11 - 3A □□□ 090C22 MDSKA□□ 090-22 80 |
| 608 | 58 | 5.7 | 70.887 | 1576 | 9325 | 1885 | 9326 | 4497 | 44 | 4.90E-03 | GKS11 - 3A □□□ 090C22 MDSKA□□ 090-22 140 |
| 685 | 51 | 5.7 | 79.873 | 1775 | 9325 | 2124 | 9326 | 5068 | 39 | 4.89E-03 | GKS11 - 3A □□□ 090C22 MDSKA□□ 090-22 140 |
| 797 | 45 | 4.6 | 91.737 | 2039 | 9325 | 2440 | 9326 | 4660 | 34 | 4.43E-03 | GKS11 - 3A □□□ 090C22 MDSKA□□ 090-22 140 |
| 898 | 40 | 4.6 | 103.365 | 2298 | 9325 | 2749 | 9326 | 5250 | 30 | 4.42E-03 | GKS11 - 3A □□□ 090C22 MDSKA□□ 090-22 140 |
| 970 | 37 | 4.2 | 111.335 | 2475 | 9325 | 2961 | 9326 | 4734 | 28 | 4.21E-03 | GKS11 - 3A □□□ 090C22 MDSKA□□ 090-22 140 |
| 1093 | 33 | 4.2 | 125.448 | 2788 | 9325 | 3336 | 9326 | 5335 | 25 | 4.20E-03 | GKS11 - 3A □□□ 090C22 MDSKA□□ 090-22 140 |
| 1238 | 29 | 3.4 | 140.732 | 3128 | 9325 | 3743 | 9326 | 4811 | 22 | 4.00E-03 | GKS11 - 3A □□□ 090C22 MDSKA□□ 090-22 140 |
| 1395 | 26 | 3.4 | 158.571 | 3525 | 9325 | 4217 | 9326 | 5421 | 20 | 3.99E-03 | GKS11 - 3A □□□ 090C22 MDSKA□□ 090-22 140 |
| 1645 | 22 | 3.2 | 186.572 | 4147 | 9325 | 4962 | 9326 | 5975 | 17 | 4.31E-03 | GKS11 - 3A □□□ 090C22 MDSKA□□ 090-22 140 |
| 1861 | 20 | 2.8 | 210.222 | 4673 | 9325 | 5591 | 9326 | 5892 | 15 | 4.31E-03 | GKS11 - 3A □□□ 090C22 MDSKA□□ 090-22 140 |
| 2008 | 18 | 2.6 | 226.431 | 5033 | 9325 | 6022 | 9326 | 5975 | 14 | 4.12E-03 | GKS11 - 3A □□□ 090C22 MDSKA□□ 090-22 140 |
| 2271 | 16 | 2.3 | 255.133 | 5671 | 9325 | 6786 | 9326 | 5892 | 12 | 4.12E-03 | GKS11 - 3A □□□ 090C22 MDSKA□□ 090-22 140 |
| 2553 | 14 | 2.1 | 286.219 | 6362 | 9325 | 7612 | 9326 | 5975 | 11 | 3.94E-03 | GKS11 - 3A □□□ 090C22 MDSKA□□ 090-22 140 |
| 2885 | 13 | 1.8 | 322.500 | 7168 | 9325 | 8577 | 9326 | 5892 | 9.7 | 3.94E-03 | GKS11 - 3A □□□ 090C22 MDSKA□□ 090-22 140 |

Observe the notes for thermal dimensioning.

Selection tables - Helical-bevel gearboxes

Naturally ventilated asynchronous geared servo motors

| M ₂ [Nm] | n _{2 trans} [rpm] | c | i | M _{2 max} short-time on geared motor at | | | | M _{2 Gr} gearbox c=1 n ₁ ≤ 1400 rpm [Nm] | n _{2 therm} [rpm] | J _{GM} referred to motor shaft [kgm ²] | Helical-bevel geared servo motor Dimensions on Page 6-88 |
|------------------------|-------------------------------|------------|----------------|---|-------------|----------------------------|-------------|--|-------------------------------|---|---|
| | | | | 8 kHz | | 16 kHz | | | | | |
| | | | | M _{2 max} [Nm] | Type EVS | M _{2 max} [Nm] | Type EVS | | | | |
| 955 | 36 | 5.8 | 64.995 | 2914 | 9325 | 2087 | 9325 | 5992 | 36 | 8.95E-03 | GKS11 - 3A □□□ 100C22 MDSKA□□ 100-22 80 |
| 1047 | 33 | 5.3 | 70.887 | 3178 | 9325 | 2276 | 9325 | 5973 | 33 | 8.50E-03 | GKS11 - 3A □□□ 100C22 MDSKA□□ 100-22 80 |
| 1187 | 29 | 4.8 | 79.873 | 3581 | 9325 | 2564 | 9325 | 6032 | 29 | 8.49E-03 | GKS11 - 3A □□□ 100C22 MDSKA□□ 100-22 80 |
| 1374 | 26 | 4.1 | 91.737 | 4113 | 9325 | 2945 | 9325 | 5975 | 26 | 8.03E-03 | GKS11 - 3A □□□ 100C22 MDSKA□□ 100-22 80 |
| 1555 | 23 | 3.7 | 103.365 | 4634 | 9325 | 3319 | 9325 | 6072 | 23 | 8.02E-03 | GKS11 - 3A □□□ 100C22 MDSKA□□ 100-22 80 |
| 1679 | 21 | 3.5 | 111.335 | 4992 | 9325 | 3574 | 9325 | 5975 | 21 | 7.81E-03 | GKS11 - 3A □□□ 100C22 MDSKA□□ 100-22 80 |
| 1899 | 19 | 3.1 | 125.448 | 5624 | 9325 | 4028 | 9325 | 6072 | 19 | 7.80E-03 | GKS11 - 3A □□□ 100C22 MDSKA□□ 100-22 80 |
| 2856 | 13 | 2.1 | 186.572 | 8365 | 9325 | 5990 | 9325 | 5975 | 13 | 7.91E-03 | GKS11 - 3A □□□ 100C22 MDSKA□□ 100-22 80 |
| 3227 | 11 | 1.8 | 210.222 | 8838 | 9325 | 6749 | 9325 | 5892 | 11 | 7.91E-03 | GKS11 - 3A □□□ 100C22 MDSKA□□ 100-22 80 |
| 3480 | 10 | 1.7 | 226.431 | 8963 | 9325 | 7270 | 9325 | 5975 | 10 | 7.72E-03 | GKS11 - 3A □□□ 100C22 MDSKA□□ 100-22 80 |
| 3930 | 9.2 | 1.5 | 255.133 | 8838 | 9325 | 8191 | 9325 | 5892 | 9.2 | 7.72E-03 | GKS11 - 3A □□□ 100C22 MDSKA□□ 100-22 80 |
| 766 | 59 | 6.0 | 70.887 | 2916 | 9326 | 1737 | 9326 | 5973 | 35 | 8.50E-03 | GKS11 - 3A □□□ 100C22 MDSKA□□ 100-22 140 |
| 869 | 52 | 5.4 | 79.873 | 3285 | 9326 | 1957 | 9326 | 6032 | 31 | 8.49E-03 | GKS11 - 3A □□□ 100C22 MDSKA□□ 100-22 140 |
| 1006 | 45 | 4.6 | 91.737 | 3773 | 9326 | 2248 | 9326 | 5975 | 27 | 8.03E-03 | GKS11 - 3A □□□ 100C22 MDSKA□□ 100-22 140 |
| 1139 | 40 | 4.2 | 103.365 | 4251 | 9326 | 2533 | 9326 | 6072 | 24 | 8.02E-03 | GKS11 - 3A □□□ 100C22 MDSKA□□ 100-22 140 |
| 1226 | 37 | 4.2 | 111.335 | 4579 | 9326 | 2728 | 9326 | 5975 | 22 | 7.81E-03 | GKS11 - 3A □□□ 100C22 MDSKA□□ 100-22 140 |
| 1388 | 33 | 3.8 | 125.448 | 5160 | 9326 | 3074 | 9326 | 6072 | 20 | 7.80E-03 | GKS11 - 3A □□□ 100C22 MDSKA□□ 100-22 140 |
| 2093 | 22 | 2.5 | 186.572 | 7674 | 9326 | 4572 | 9326 | 5975 | 13 | 7.91E-03 | GKS11 - 3A □□□ 100C22 MDSKA□□ 100-22 140 |
| 2366 | 20 | 2.2 | 210.222 | 8646 | 9326 | 5152 | 9326 | 5892 | 12 | 7.91E-03 | GKS11 - 3A □□□ 100C22 MDSKA□□ 100-22 140 |
| 2552 | 18 | 2.1 | 226.431 | 8963 | 9326 | 5549 | 9326 | 5975 | 11 | 7.72E-03 | GKS11 - 3A □□□ 100C22 MDSKA□□ 100-22 140 |
| 2883 | 16 | 1.8 | 255.133 | 8838 | 9326 | 6252 | 9326 | 5892 | 9.6 | 7.72E-03 | GKS11 - 3A □□□ 100C22 MDSKA□□ 100-22 140 |
| 794 | 70 | 5.7 | 35.741 | 2648 | 9326 | 1894 | 9326 | 5655 | 56 | 2.17E-02 | GKS11 - 3A □□□ 112C22 MDSKA□□ 112-22 85 |
| 899 | 62 | 5.3 | 40.272 | 2984 | 9326 | 2135 | 9326 | 5869 | 50 | 2.16E-02 | GKS11 - 3A □□□ 112C22 MDSKA□□ 112-22 85 |
| 975 | 57 | 5.4 | 43.783 | 3244 | 9326 | 2321 | 9326 | 5800 | 46 | 2.08E-02 | GKS11 - 3A □□□ 112C22 MDSKA□□ 112-22 85 |
| 1105 | 50 | 4.9 | 49.333 | 3655 | 9326 | 2615 | 9326 | 5923 | 41 | 2.08E-02 | GKS11 - 3A □□□ 112C22 MDSKA□□ 112-22 85 |
| 1302 | 43 | 4.3 | 57.683 | 4274 | 9326 | 3057 | 9326 | 5972 | 35 | 1.98E-02 | GKS11 - 3A □□□ 112C22 MDSKA□□ 112-22 85 |
| 1474 | 38 | 3.8 | 64.995 | 4815 | 9326 | 3445 | 9326 | 5992 | 31 | 1.98E-02 | GKS11 - 3A □□□ 112C22 MDSKA□□ 112-22 85 |
| 1613 | 35 | 3.5 | 70.887 | 5252 | 9326 | 3757 | 9326 | 5973 | 28 | 1.93E-02 | GKS11 - 3A □□□ 112C22 MDSKA□□ 112-22 85 |
| 1825 | 31 | 3.1 | 79.873 | 5918 | 9326 | 4234 | 9326 | 6032 | 25 | 1.93E-02 | GKS11 - 3A □□□ 112C22 MDSKA□□ 112-22 85 |
| 890 | 72 | 5.2 | 57.683 | 2405 | 9326 | 2055 | 9327 | 5972 | 35 | 1.98E-02 | GKS11 - 3A □□□ 112C22 MDSKA□□ 112-22 140 |
| 1010 | 64 | 4.6 | 64.995 | 2710 | 9326 | 2315 | 9327 | 5992 | 31 | 1.98E-02 | GKS11 - 3A □□□ 112C22 MDSKA□□ 112-22 140 |
| 1106 | 59 | 4.2 | 70.887 | 2956 | 9326 | 2525 | 9327 | 5973 | 28 | 1.93E-02 | GKS11 - 3A □□□ 112C22 MDSKA□□ 112-22 140 |
| 1252 | 52 | 3.8 | 79.873 | 3331 | 9326 | 2845 | 9327 | 6032 | 25 | 1.93E-02 | GKS11 - 3A □□□ 112C22 MDSKA□□ 112-22 140 |
| 1483 | 4.8 | 3.6 | 816.455 | 3392 | 9322 | 4040 | 9323 | 5975 | 4.8 | 3.22E-04 | GKS11 - 4A □□□ 056C22 MDSKA□□ 056-22 140 |

Observe the notes for thermal dimensioning.

Selection tables - Helical-bevel gearboxes

Naturally ventilated asynchronous geared servo motors



| M ₂ [Nm] | n _{2 trans} [rpm] | c | i | M _{2 max} short-time on geared motor at | | | | M _{2 Gr} gearbox c=1 n ₁ ≤ 1400 rpm [Nm] | n _{2 therm} [rpm] | J _{GM} referred to motor shaft [kgm ²] | Helical-bevel geared servo motor Dimensions on Page 6-88 |
|------------------------|-------------------------------|-----|----------|--|-------------|----------------------------|-------------|---|-------------------------------|--|---|
| | | | | 8 kHz | | 16 kHz | | | | | |
| | | | | M _{2 max} [Nm] | Type EVS | M _{2 max} [Nm] | Type EVS | | | | |
| 1677 | 4.3 | 3.2 | 919.949 | 3822 | 9322 | 4553 | 9323 | 6072 | 4.3 | 3.22E-04 | GKS11 - 4A □□□ 056C22 MDSKA□□ 056-22 140 |
| 1812 | 4.0 | 2.9 | 990.879 | 4117 | 9322 | 4904 | 9323 | 5975 | 4.0 | 3.00E-04 | GKS11 - 4A □□□ 056C22 MDSKA□□ 056-22 140 |
| 2048 | 3.5 | 2.7 | 1116.484 | 4639 | 9322 | 5525 | 9323 | 6072 | 3.5 | 3.00E-04 | GKS11 - 4A □□□ 056C22 MDSKA□□ 056-22 140 |
| 2306 | 3.2 | 2.3 | 1252.516 | 5204 | 9322 | 6198 | 9323 | 5975 | 3.2 | 2.79E-04 | GKS11 - 4A □□□ 056C22 MDSKA□□ 056-22 140 |
| 2604 | 2.8 | 2.1 | 1411.286 | 5864 | 9322 | 6984 | 9323 | 6072 | 2.8 | 2.79E-04 | GKS11 - 4A □□□ 056C22 MDSKA□□ 056-22 140 |
| 1161 | 13 | 4.5 | 322.931 | 3799 | 9324 | 2774 | 9324 | 5973 | 13 | 1.04E-03 | GKS11 - 4A □□□ 071C22 MDSKA□□ 071-22 140 |
| 1315 | 11 | 4.0 | 363.866 | 4281 | 9324 | 3126 | 9324 | 6032 | 11 | 1.04E-03 | GKS11 - 4A □□□ 071C22 MDSKA□□ 071-22 140 |
| 1436 | 10 | 3.7 | 395.787 | 4656 | 9324 | 3400 | 9324 | 5973 | 10 | 9.82E-04 | GKS11 - 4A □□□ 071C22 MDSKA□□ 071-22 140 |
| 1625 | 9.1 | 3.3 | 445.958 | 5247 | 9324 | 3831 | 9324 | 6032 | 9.1 | 9.82E-04 | GKS11 - 4A □□□ 071C22 MDSKA□□ 071-22 140 |
| 1876 | 7.9 | 2.8 | 512.196 | 6026 | 9324 | 4400 | 9324 | 5975 | 7.9 | 9.69E-04 | GKS11 - 4A □□□ 071C22 MDSKA□□ 071-22 140 |
| 2120 | 7.0 | 2.5 | 577.122 | 6790 | 9324 | 4958 | 9324 | 6072 | 7.0 | 9.68E-04 | GKS11 - 4A □□□ 071C22 MDSKA□□ 071-22 140 |
| 2289 | 6.5 | 2.3 | 621.619 | 7313 | 9324 | 5340 | 9324 | 5975 | 6.5 | 9.61E-04 | GKS11 - 4A □□□ 071C22 MDSKA□□ 071-22 140 |
| 2585 | 5.8 | 2.1 | 700.416 | 8240 | 9324 | 6017 | 9324 | 6072 | 5.8 | 9.61E-04 | GKS11 - 4A □□□ 071C22 MDSKA□□ 071-22 140 |
| 3024 | 5.0 | 1.8 | 816.455 | 8963 | 9324 | 7014 | 9324 | 5975 | 5.0 | 9.12E-04 | GKS11 - 4A □□□ 071C22 MDSKA□□ 071-22 140 |
| 3414 | 4.4 | 1.6 | 919.949 | 9108 | 9324 | 7903 | 9324 | 6072 | 4.4 | 9.12E-04 | GKS11 - 4A □□□ 071C22 MDSKA□□ 071-22 140 |
| 3683 | 4.1 | 1.5 | 990.879 | 8963 | 9324 | 8512 | 9324 | 5975 | 4.1 | 8.90E-04 | GKS11 - 4A □□□ 071C22 MDSKA□□ 071-22 140 |
| 4156 | 3.6 | 1.3 | 1116.484 | 9108 | 9324 | 9108 | 9324 | 6072 | 3.6 | 8.90E-04 | GKS11 - 4A □□□ 071C22 MDSKA□□ 071-22 140 |
| 4670 | 3.2 | 1.2 | 1252.516 | 8963 | 9324 | 8963 | 9324 | 5975 | 3.2 | 8.69E-04 | GKS11 - 4A □□□ 071C22 MDSKA□□ 071-22 140 |
| 5269 | 2.9 | 1.0 | 1411.286 | 9108 | 9324 | 9108 | 9324 | 6072 | 2.9 | 8.69E-04 | GKS11 - 4A □□□ 071C22 MDSKA□□ 071-22 140 |
| 1028 | 12 | 5.5 | 172.667 | 2434 | 9323 | 3418 | 9324 | 5923 | 12 | 2.37E-03 | GKS11 - 4A □□□ 080C22 MDSKA□□ 080-22 70 |
| 1213 | 9.9 | 4.7 | 201.890 | 2847 | 9323 | 3996 | 9324 | 5972 | 9.9 | 2.29E-03 | GKS11 - 4A □□□ 080C22 MDSKA□□ 080-22 70 |
| 1374 | 8.8 | 4.2 | 227.481 | 3207 | 9323 | 4503 | 9324 | 5992 | 8.8 | 2.29E-03 | GKS11 - 4A □□□ 080C22 MDSKA□□ 080-22 70 |
| 1505 | 8.1 | 3.8 | 248.106 | 3498 | 9323 | 4911 | 9324 | 5973 | 8.1 | 2.26E-03 | GKS11 - 4A □□□ 080C22 MDSKA□□ 080-22 70 |
| 1703 | 7.2 | 3.4 | 279.556 | 3942 | 9323 | 5534 | 9324 | 6032 | 7.2 | 2.25E-03 | GKS11 - 4A □□□ 080C22 MDSKA□□ 080-22 70 |
| 1978 | 6.2 | 3.0 | 322.931 | 4553 | 9323 | 6392 | 9324 | 5973 | 6.2 | 2.13E-03 | GKS11 - 4A □□□ 080C22 MDSKA□□ 080-22 70 |
| 2236 | 5.5 | 2.7 | 363.866 | 5130 | 9323 | 7203 | 9324 | 6032 | 5.5 | 2.13E-03 | GKS11 - 4A □□□ 080C22 MDSKA□□ 080-22 70 |
| 2439 | 5.1 | 2.4 | 395.787 | 5580 | 9323 | 7835 | 9324 | 5973 | 5.1 | 2.07E-03 | GKS11 - 4A □□□ 080C22 MDSKA□□ 080-22 70 |
| 2755 | 4.5 | 2.2 | 445.958 | 6288 | 9323 | 8828 | 9324 | 6032 | 4.5 | 2.07E-03 | GKS11 - 4A □□□ 080C22 MDSKA□□ 080-22 70 |
| 3175 | 3.9 | 1.9 | 512.196 | 7222 | 9323 | 8963 | 9324 | 5975 | 3.9 | 2.06E-03 | GKS11 - 4A □□□ 080C22 MDSKA□□ 080-22 70 |
| 3584 | 3.5 | 1.7 | 577.122 | 8137 | 9323 | 9108 | 9324 | 6072 | 3.5 | 2.06E-03 | GKS11 - 4A □□□ 080C22 MDSKA□□ 080-22 70 |
| 3866 | 3.2 | 1.5 | 621.619 | 8764 | 9323 | 8963 | 9324 | 5975 | 3.2 | 2.05E-03 | GKS11 - 4A □□□ 080C22 MDSKA□□ 080-22 70 |
| 4364 | 2.9 | 1.4 | 700.416 | 9108 | 9323 | 9108 | 9324 | 6072 | 2.9 | 2.05E-03 | GKS11 - 4A □□□ 080C22 MDSKA□□ 080-22 70 |
| 5098 | 2.5 | 1.2 | 816.455 | 8963 | 9323 | 8963 | 9324 | 5975 | 2.5 | 2.00E-03 | GKS11 - 4A □□□ 080C22 MDSKA□□ 080-22 70 |
| 5752 | 2.2 | 1.1 | 919.949 | 9108 | 9323 | 9108 | 9324 | 6072 | 2.2 | 2.00E-03 | GKS11 - 4A □□□ 080C22 MDSKA□□ 080-22 70 |

Observe the notes for thermal dimensioning.

Selection tables - Helical-bevel gearboxes

Naturally ventilated asynchronous geared servo motors

| M ₂ [Nm] | n ₂ trans [rpm] | c | i | M ₂ max short-time on geared motor at | | | | M ₂ Gr gearbox c=1 n ₁ ≤ 1400 rpm [Nm] | n ₂ therm [rpm] | J _{GM} referred to motor shaft [kgm ²] | Helical-bevel geared servo motor Dimensions on Page 6-88 |
|------------------------|-------------------------------|-----|---------|---|-------------|----------------------------|-------------|--|-------------------------------|---|---|
| | | | | 8 kHz | | 16 kHz | | | | | |
| | | | | M ₂ max [Nm] | Type EVS | M ₂ max [Nm] | Type EVS | | | | |
| 971 | 20 | 5.3 | 201.890 | 2488 | 9324 | 3601 | 9325 | 5972 | 18 | 2.29E-03 | GKS11 - 4A □□□ 080C22 MDSKA□□ 080-22 140 |
| 1101 | 18 | 4.7 | 227.481 | 2804 | 9324 | 4057 | 9325 | 5992 | 16 | 2.29E-03 | GKS11 - 4A □□□ 080C22 MDSKA□□ 080-22 140 |
| 1207 | 17 | 4.3 | 248.106 | 3058 | 9324 | 4425 | 9325 | 5973 | 14 | 2.26E-03 | GKS11 - 4A □□□ 080C22 MDSKA□□ 080-22 140 |
| 1366 | 15 | 3.9 | 279.556 | 3446 | 9324 | 4986 | 9325 | 6032 | 13 | 2.25E-03 | GKS11 - 4A □□□ 080C22 MDSKA□□ 080-22 140 |
| 1588 | 13 | 3.3 | 322.931 | 3980 | 9324 | 5759 | 9325 | 5973 | 11 | 2.13E-03 | GKS11 - 4A □□□ 080C22 MDSKA□□ 080-22 140 |
| 1796 | 11 | 3.0 | 363.866 | 4485 | 9324 | 6489 | 9325 | 6032 | 9.9 | 2.13E-03 | GKS11 - 4A □□□ 080C22 MDSKA□□ 080-22 140 |
| 1959 | 10 | 2.7 | 395.787 | 4878 | 9324 | 7059 | 9325 | 5973 | 9.1 | 2.07E-03 | GKS11 - 4A □□□ 080C22 MDSKA□□ 080-22 140 |
| 2214 | 9.2 | 2.4 | 445.958 | 5496 | 9324 | 7953 | 9325 | 6032 | 8.1 | 2.07E-03 | GKS11 - 4A □□□ 080C22 MDSKA□□ 080-22 140 |
| 2553 | 8.0 | 2.1 | 512.196 | 6313 | 9324 | 8963 | 9325 | 5975 | 7.0 | 2.06E-03 | GKS11 - 4A □□□ 080C22 MDSKA□□ 080-22 140 |
| 2882 | 7.1 | 1.9 | 577.122 | 7113 | 9324 | 9108 | 9325 | 6072 | 6.2 | 2.06E-03 | GKS11 - 4A □□□ 080C22 MDSKA□□ 080-22 140 |
| 3110 | 6.6 | 1.7 | 621.619 | 7662 | 9324 | 8963 | 9325 | 5975 | 5.8 | 2.05E-03 | GKS11 - 4A □□□ 080C22 MDSKA□□ 080-22 140 |
| 3511 | 5.9 | 1.5 | 700.416 | 8633 | 9324 | 9108 | 9325 | 6072 | 5.1 | 2.05E-03 | GKS11 - 4A □□□ 080C22 MDSKA□□ 080-22 140 |
| 4103 | 5.0 | 1.3 | 816.455 | 8963 | 9324 | 8963 | 9325 | 5975 | 4.4 | 2.00E-03 | GKS11 - 4A □□□ 080C22 MDSKA□□ 080-22 140 |
| 4630 | 4.5 | 1.2 | 919.949 | 9108 | 9324 | 9108 | 9325 | 6072 | 3.9 | 2.00E-03 | GKS11 - 4A □□□ 080C22 MDSKA□□ 080-22 140 |
| 4992 | 4.1 | 1.1 | 990.879 | 8963 | 9324 | 8963 | 9325 | 5975 | 3.6 | 1.98E-03 | GKS11 - 4A □□□ 080C22 MDSKA□□ 080-22 140 |
| 981 | 23 | 5.4 | 102.119 | 2327 | 9324 | 3290 | 9325 | 5655 | 23 | 4.33E-03 | GKS11 - 4A □□□ 090C22 MDSKA□□ 090-22 80 |
| 1110 | 20 | 5.1 | 115.063 | 2621 | 9324 | 3707 | 9325 | 5869 | 20 | 4.32E-03 | GKS11 - 4A □□□ 090C22 MDSKA□□ 090-22 80 |
| 1213 | 18 | 4.6 | 125.095 | 2850 | 9324 | 4030 | 9325 | 5800 | 18 | 4.22E-03 | GKS11 - 4A □□□ 090C22 MDSKA□□ 090-22 80 |
| 1373 | 16 | 4.2 | 140.952 | 3211 | 9324 | 4541 | 9325 | 5923 | 16 | 4.22E-03 | GKS11 - 4A □□□ 090C22 MDSKA□□ 090-22 80 |
| 1500 | 15 | 3.8 | 153.242 | 3491 | 9324 | 4936 | 9325 | 5800 | 15 | 4.05E-03 | GKS11 - 4A □□□ 090C22 MDSKA□□ 090-22 80 |
| 1696 | 13 | 3.4 | 172.667 | 3934 | 9324 | 5562 | 9325 | 5923 | 13 | 4.05E-03 | GKS11 - 4A □□□ 090C22 MDSKA□□ 090-22 80 |
| 1994 | 11 | 2.9 | 201.890 | 4600 | 9324 | 6504 | 9325 | 5972 | 11 | 3.97E-03 | GKS11 - 4A □□□ 090C22 MDSKA□□ 090-22 80 |
| 2254 | 10 | 2.6 | 227.481 | 5183 | 9324 | 7328 | 9325 | 5992 | 10 | 3.97E-03 | GKS11 - 4A □□□ 090C22 MDSKA□□ 090-22 80 |
| 2465 | 9.3 | 2.4 | 248.106 | 5653 | 9324 | 7992 | 9325 | 5973 | 9.3 | 3.94E-03 | GKS11 - 4A □□□ 090C22 MDSKA□□ 090-22 80 |
| 2785 | 8.2 | 2.1 | 279.556 | 6369 | 9324 | 9005 | 9325 | 6032 | 8.2 | 3.93E-03 | GKS11 - 4A □□□ 090C22 MDSKA□□ 090-22 80 |
| 3227 | 7.1 | 1.8 | 322.931 | 7357 | 9324 | 8960 | 9325 | 5973 | 7.1 | 3.81E-03 | GKS11 - 4A □□□ 090C22 MDSKA□□ 090-22 80 |
| 3644 | 6.3 | 1.6 | 363.866 | 8290 | 9324 | 9048 | 9325 | 6032 | 6.3 | 3.81E-03 | GKS11 - 4A □□□ 090C22 MDSKA□□ 090-22 80 |
| 3970 | 5.8 | 1.5 | 395.787 | 8960 | 9324 | 8960 | 9325 | 5973 | 5.8 | 3.75E-03 | GKS11 - 4A □□□ 090C22 MDSKA□□ 090-22 80 |
| 4481 | 5.2 | 1.3 | 445.958 | 9048 | 9324 | 9048 | 9325 | 6032 | 5.2 | 3.75E-03 | GKS11 - 4A □□□ 090C22 MDSKA□□ 090-22 80 |
| 5156 | 4.5 | 1.2 | 512.196 | 8963 | 9324 | 8963 | 9325 | 5975 | 4.5 | 3.74E-03 | GKS11 - 4A □□□ 090C22 MDSKA□□ 090-22 80 |
| 5817 | 4.0 | 1.0 | 577.122 | 9108 | 9324 | 9108 | 9325 | 6072 | 4.0 | 3.74E-03 | GKS11 - 4A □□□ 090C22 MDSKA□□ 090-22 80 |
| 866 | 40 | 5.1 | 102.119 | 2231 | 9325 | 2670 | 9326 | 5655 | 30 | 4.33E-03 | GKS11 - 4A □□□ 090C22 MDSKA□□ 090-22 140 |
| 975 | 36 | 5.2 | 115.063 | 2514 | 9325 | 3008 | 9326 | 5869 | 27 | 4.32E-03 | GKS11 - 4A □□□ 090C22 MDSKA□□ 090-22 140 |
| 1066 | 33 | 4.7 | 125.095 | 2733 | 9325 | 3271 | 9326 | 5800 | 25 | 4.22E-03 | GKS11 - 4A □□□ 090C22 MDSKA□□ 090-22 140 |

Observe the notes for thermal dimensioning.

Selection tables - Helical-bevel gearboxes

Naturally ventilated asynchronous geared servo motors



| M ₂ [Nm] | n _{2 trans} [rpm] | c | i | M _{2 max} short-time on geared motor at | | | | M _{2 Gr} gearbox c=1 n ₁ ≤ 1400 rpm [Nm] | n _{2 therm} [rpm] | J _{GM} referred to motor shaft [kgm ²] | Helical-bevel geared servo motor Dimensions on Page 6-88 |
|------------------------|-------------------------------|-----|---------|---|-------------|----------------------------|-------------|--|-------------------------------|---|---|
| | | | | 8 kHz | | 16 kHz | | | | | |
| | | | | M _{2 max} [Nm] | Type EVS | M _{2 max} [Nm] | Type EVS | | | | |
| 1207 | 29 | 4.3 | 140.952 | 3080 | 9325 | 3685 | 9326 | 5923 | 22 | 4.22E-03 | GKS11 - 4A □□□ 090C22 MDSKA□□ 090-22 140 |
| 1318 | 27 | 3.8 | 153.242 | 3348 | 9325 | 4006 | 9326 | 5800 | 20 | 4.05E-03 | GKS11 - 4A □□□ 090C22 MDSKA□□ 090-22 140 |
| 1491 | 24 | 3.5 | 172.667 | 3773 | 9325 | 4514 | 9326 | 5923 | 18 | 4.05E-03 | GKS11 - 4A □□□ 090C22 MDSKA□□ 090-22 140 |
| 1752 | 20 | 3.0 | 201.890 | 4411 | 9325 | 5278 | 9326 | 5972 | 15 | 3.97E-03 | GKS11 - 4A □□□ 090C22 MDSKA□□ 090-22 140 |
| 1982 | 18 | 2.7 | 227.481 | 4970 | 9325 | 5947 | 9326 | 5992 | 14 | 3.97E-03 | GKS11 - 4A □□□ 090C22 MDSKA□□ 090-22 140 |
| 2167 | 17 | 2.4 | 248.106 | 5421 | 9325 | 6487 | 9326 | 5973 | 13 | 3.94E-03 | GKS11 - 4A □□□ 090C22 MDSKA□□ 090-22 140 |
| 2448 | 15 | 2.2 | 279.556 | 6108 | 9325 | 7309 | 9326 | 6032 | 11 | 3.93E-03 | GKS11 - 4A □□□ 090C22 MDSKA□□ 090-22 140 |
| 2838 | 13 | 1.9 | 322.931 | 7056 | 9325 | 8443 | 9326 | 5973 | 9.6 | 3.81E-03 | GKS11 - 4A □□□ 090C22 MDSKA□□ 090-22 140 |
| 3204 | 11 | 1.7 | 363.866 | 7950 | 9325 | 9048 | 9326 | 6032 | 8.6 | 3.81E-03 | GKS11 - 4A □□□ 090C22 MDSKA□□ 090-22 140 |
| 3491 | 10 | 1.5 | 395.787 | 8648 | 9325 | 8960 | 9326 | 5973 | 7.9 | 3.75E-03 | GKS11 - 4A □□□ 090C22 MDSKA□□ 090-22 140 |
| 3940 | 9.2 | 1.4 | 445.958 | 9048 | 9325 | 9048 | 9326 | 6032 | 7.0 | 3.75E-03 | GKS11 - 4A □□□ 090C22 MDSKA□□ 090-22 140 |
| 4534 | 8.0 | 1.2 | 512.196 | 8963 | 9325 | 8963 | 9326 | 5975 | 6.1 | 3.74E-03 | GKS11 - 4A □□□ 090C22 MDSKA□□ 090-22 140 |
| 5116 | 7.1 | 1.1 | 577.122 | 9108 | 9325 | 9108 | 9326 | 6072 | 5.4 | 3.74E-03 | GKS11 - 4A □□□ 090C22 MDSKA□□ 090-22 140 |
| 1512 | 23 | 3.6 | 102.119 | 4501 | 9325 | 3223 | 9325 | 5655 | 23 | 7.93E-03 | GKS11 - 4A □□□ 100C22 MDSKA□□ 100-22 80 |
| 1707 | 20 | 3.4 | 115.063 | 5071 | 9325 | 3631 | 9325 | 5869 | 20 | 7.92E-03 | GKS11 - 4A □□□ 100C22 MDSKA□□ 100-22 80 |
| 1862 | 19 | 3.0 | 125.095 | 5513 | 9325 | 3948 | 9325 | 5800 | 19 | 7.82E-03 | GKS11 - 4A □□□ 100C22 MDSKA□□ 100-22 80 |
| 2105 | 17 | 2.8 | 140.952 | 6212 | 9325 | 4448 | 9325 | 5923 | 17 | 7.82E-03 | GKS11 - 4A □□□ 100C22 MDSKA□□ 100-22 80 |
| 2295 | 15 | 2.5 | 153.242 | 6754 | 9325 | 4836 | 9325 | 5800 | 15 | 7.65E-03 | GKS11 - 4A □□□ 100C22 MDSKA□□ 100-22 80 |
| 2593 | 14 | 2.3 | 172.667 | 7610 | 9325 | 5449 | 9325 | 5923 | 14 | 7.65E-03 | GKS11 - 4A □□□ 100C22 MDSKA□□ 100-22 80 |
| 3042 | 12 | 1.9 | 201.890 | 8898 | 9325 | 6372 | 9325 | 5972 | 12 | 7.57E-03 | GKS11 - 4A □□□ 100C22 MDSKA□□ 100-22 80 |
| 3435 | 10 | 1.7 | 227.481 | 8988 | 9325 | 7179 | 9325 | 5992 | 10 | 7.57E-03 | GKS11 - 4A □□□ 100C22 MDSKA□□ 100-22 80 |
| 3753 | 9.4 | 1.6 | 248.106 | 8960 | 9325 | 7830 | 9325 | 5973 | 9.4 | 7.54E-03 | GKS11 - 4A □□□ 100C22 MDSKA□□ 100-22 80 |
| 4236 | 8.4 | 1.4 | 279.556 | 9048 | 9325 | 8823 | 9325 | 6032 | 8.4 | 7.53E-03 | GKS11 - 4A □□□ 100C22 MDSKA□□ 100-22 80 |
| 1107 | 41 | 4.0 | 102.119 | 4129 | 9326 | 2460 | 9326 | 5655 | 24 | 7.93E-03 | GKS11 - 4A □□□ 100C22 MDSKA□□ 100-22 140 |
| 1247 | 36 | 4.1 | 115.063 | 4652 | 9326 | 2772 | 9326 | 5869 | 21 | 7.92E-03 | GKS11 - 4A □□□ 100C22 MDSKA□□ 100-22 140 |
| 1361 | 33 | 3.7 | 125.095 | 5058 | 9326 | 3014 | 9326 | 5800 | 20 | 7.82E-03 | GKS11 - 4A □□□ 100C22 MDSKA□□ 100-22 140 |
| 1539 | 29 | 3.4 | 140.952 | 5699 | 9326 | 3396 | 9326 | 5923 | 17 | 7.82E-03 | GKS11 - 4A □□□ 100C22 MDSKA□□ 100-22 140 |
| 1680 | 27 | 3.0 | 153.242 | 6196 | 9326 | 3692 | 9326 | 5800 | 16 | 7.65E-03 | GKS11 - 4A □□□ 100C22 MDSKA□□ 100-22 140 |
| 1898 | 24 | 2.7 | 172.667 | 6981 | 9326 | 4160 | 9326 | 5923 | 14 | 7.65E-03 | GKS11 - 4A □□□ 100C22 MDSKA□□ 100-22 140 |
| 2229 | 21 | 2.4 | 201.890 | 8162 | 9326 | 4864 | 9326 | 5972 | 12 | 7.57E-03 | GKS11 - 4A □□□ 100C22 MDSKA□□ 100-22 140 |
| 2519 | 18 | 2.1 | 227.481 | 8988 | 9326 | 5480 | 9326 | 5992 | 11 | 7.57E-03 | GKS11 - 4A □□□ 100C22 MDSKA□□ 100-22 140 |
| 2752 | 17 | 1.9 | 248.106 | 8960 | 9326 | 5977 | 9326 | 5973 | 9.9 | 7.54E-03 | GKS11 - 4A □□□ 100C22 MDSKA□□ 100-22 140 |
| 3108 | 15 | 1.7 | 279.556 | 9048 | 9326 | 6734 | 9326 | 6032 | 8.8 | 7.53E-03 | GKS11 - 4A □□□ 100C22 MDSKA□□ 100-22 140 |
| 2049 | 17 | 5.5 | 138.913 | 6228 | 9325 | 4460 | 9325 | 11784 | 17 | 8.40E-03 | GKS14 - 3A □□□ 100C22 MDSKA□□ 100-22 80 |

Observe the notes for thermal dimensioning.

Selection tables - Helical-bevel gearboxes

Naturally ventilated asynchronous geared servo motors

| M ₂ [Nm] | n ₂ trans [rpm] | c | i | M ₂ max short-time on geared motor at | | | | M ₂ Gr gearbox c=1 n ₁ ≤ 1400 rpm [Nm] | n ₂ therm [rpm] | J _{GM} referred to motor shaft [kgm ²] | Helical-bevel geared servo motor Dimensions on Page 6-88 |
|------------------------|-------------------------------|------------|----------------|---|-------------|----------------------------|-------------|--|-------------------------------|---|---|
| | | | | 8 kHz | | 16 kHz | | | | | |
| | | | | M ₂ max [Nm] | Type EVS | M ₂ max [Nm] | Type EVS | | | | |
| 2326 | 15 | 4.8 | 156.522 | 7017 | 9325 | 5025 | 9325 | 11639 | 15 | 8.39E-03 | GKS14 - 3A □□□ 100C22 MDSKA□□ 100-22 80 |
| 2797 | 13 | 4.0 | 186.572 | 8365 | 9325 | 5990 | 9325 | 11609 | 13 | 9.36E-03 | GKS14 - 3A □□□ 100C22 MDSKA□□ 100-22 80 |
| 3167 | 11 | 3.6 | 210.222 | 9425 | 9325 | 6749 | 9325 | 11555 | 11 | 9.35E-03 | GKS14 - 3A □□□ 100C22 MDSKA□□ 100-22 80 |
| 3420 | 10 | 3.3 | 226.431 | 10152 | 9325 | 7270 | 9325 | 11609 | 10 | 8.79E-03 | GKS14 - 3A □□□ 100C22 MDSKA□□ 100-22 80 |
| 3870 | 9.2 | 2.9 | 255.133 | 11439 | 9325 | 8191 | 9325 | 11555 | 9.2 | 8.78E-03 | GKS14 - 3A □□□ 100C22 MDSKA□□ 100-22 80 |
| 4356 | 8.2 | 2.6 | 286.219 | 12832 | 9325 | 9189 | 9325 | 11609 | 8.2 | 8.25E-03 | GKS14 - 3A □□□ 100C22 MDSKA□□ 100-22 80 |
| 4924 | 7.3 | 2.3 | 322.500 | 14459 | 9325 | 10354 | 9325 | 11555 | 7.3 | 8.25E-03 | GKS14 - 3A □□□ 100C22 MDSKA□□ 100-22 80 |
| 1693 | 27 | 5.9 | 156.522 | 6438 | 9326 | 3836 | 9326 | 11639 | 16 | 8.39E-03 | GKS14 - 3A □□□ 100C22 MDSKA□□ 100-22 140 |
| 2039 | 22 | 4.9 | 186.572 | 7674 | 9326 | 4572 | 9326 | 11609 | 13 | 9.36E-03 | GKS14 - 3A □□□ 100C22 MDSKA□□ 100-22 140 |
| 2312 | 20 | 4.3 | 210.222 | 8646 | 9326 | 5152 | 9326 | 11555 | 12 | 9.35E-03 | GKS14 - 3A □□□ 100C22 MDSKA□□ 100-22 140 |
| 2498 | 18 | 4.0 | 226.431 | 9313 | 9326 | 5549 | 9326 | 11609 | 11 | 8.79E-03 | GKS14 - 3A □□□ 100C22 MDSKA□□ 100-22 140 |
| 2830 | 16 | 3.6 | 255.133 | 10493 | 9326 | 6252 | 9326 | 11555 | 9.6 | 8.78E-03 | GKS14 - 3A □□□ 100C22 MDSKA□□ 100-22 140 |
| 3187 | 15 | 3.2 | 286.219 | 11772 | 9326 | 7014 | 9326 | 11609 | 8.6 | 8.25E-03 | GKS14 - 3A □□□ 100C22 MDSKA□□ 100-22 140 |
| 3605 | 13 | 2.8 | 322.500 | 13264 | 9326 | 7903 | 9326 | 11555 | 7.6 | 8.25E-03 | GKS14 - 3A □□□ 100C22 MDSKA□□ 100-22 140 |
| 2022 | 28 | 5.2 | 90.551 | 6709 | 9326 | 4799 | 9326 | 11488 | 22 | 2.05E-02 | GKS14 - 3A □□□ 112C22 MDSKA□□ 112-22 85 |
| 2292 | 24 | 4.7 | 102.029 | 7559 | 9326 | 5408 | 9326 | 11639 | 20 | 2.05E-02 | GKS14 - 3A □□□ 112C22 MDSKA□□ 112-22 85 |
| 2476 | 23 | 4.4 | 109.896 | 8142 | 9326 | 5825 | 9326 | 11784 | 18 | 1.98E-02 | GKS14 - 3A □□□ 112C22 MDSKA□□ 112-22 85 |
| 2801 | 20 | 4.0 | 123.826 | 9174 | 9326 | 6563 | 9326 | 11639 | 16 | 1.98E-02 | GKS14 - 3A □□□ 112C22 MDSKA□□ 112-22 85 |
| 4283 | 13 | 2.7 | 186.572 | 13823 | 9326 | 9889 | 9326 | 11609 | 11 | 2.02E-02 | GKS14 - 3A □□□ 112C22 MDSKA□□ 112-22 85 |
| 4842 | 12 | 2.4 | 210.222 | 15575 | 9326 | 11142 | 9326 | 11555 | 9.6 | 2.02E-02 | GKS14 - 3A □□□ 112C22 MDSKA□□ 112-22 85 |
| 5224 | 11 | 2.2 | 226.431 | 16776 | 9326 | 12001 | 9326 | 11609 | 8.9 | 1.96E-02 | GKS14 - 3A □□□ 112C22 MDSKA□□ 112-22 85 |
| 5903 | 9.8 | 1.9 | 255.133 | 17332 | 9326 | 13523 | 9326 | 11555 | 7.9 | 1.96E-02 | GKS14 - 3A □□□ 112C22 MDSKA□□ 112-22 85 |
| 1566 | 41 | 5.7 | 102.029 | 4255 | 9326 | 3634 | 9327 | 11639 | 20 | 2.05E-02 | GKS14 - 3A □□□ 112C22 MDSKA□□ 112-22 140 |
| 1693 | 38 | 5.4 | 109.896 | 4583 | 9326 | 3915 | 9327 | 11784 | 18 | 1.98E-02 | GKS14 - 3A □□□ 112C22 MDSKA□□ 112-22 140 |
| 1911 | 34 | 5.2 | 123.826 | 5163 | 9326 | 4411 | 9327 | 11639 | 16 | 1.98E-02 | GKS14 - 3A □□□ 112C22 MDSKA□□ 112-22 140 |
| 2935 | 22 | 3.5 | 186.572 | 7780 | 9326 | 6646 | 9327 | 11609 | 11 | 2.02E-02 | GKS14 - 3A □□□ 112C22 MDSKA□□ 112-22 140 |
| 3321 | 20 | 3.1 | 210.222 | 8766 | 9326 | 7488 | 9327 | 11555 | 9.6 | 2.02E-02 | GKS14 - 3A □□□ 112C22 MDSKA□□ 112-22 140 |
| 3585 | 18 | 2.8 | 226.431 | 9442 | 9326 | 8065 | 9327 | 11609 | 8.9 | 1.96E-02 | GKS14 - 3A □□□ 112C22 MDSKA□□ 112-22 140 |
| 4054 | 16 | 2.5 | 255.133 | 10639 | 9326 | 9088 | 9327 | 11555 | 7.9 | 1.96E-02 | GKS14 - 3A □□□ 112C22 MDSKA□□ 112-22 140 |
| 1912 | 6.2 | 5.7 | 321.729 | 4536 | 9323 | 6369 | 9324 | 11454 | 6.2 | 2.56E-03 | GKS14 - 4A □□□ 080C22 MDSKA□□ 080-22 70 |
| 2169 | 5.5 | 5.1 | 362.512 | 5111 | 9323 | 7176 | 9324 | 11520 | 5.5 | 2.56E-03 | GKS14 - 4A □□□ 080C22 MDSKA□□ 080-22 70 |
| 2348 | 5.1 | 4.7 | 390.671 | 5508 | 9323 | 7733 | 9324 | 11454 | 5.1 | 2.39E-03 | GKS14 - 4A □□□ 080C22 MDSKA□□ 080-22 70 |
| 2660 | 4.5 | 4.2 | 440.193 | 6206 | 9323 | 8714 | 9324 | 11520 | 4.5 | 2.39E-03 | GKS14 - 4A □□□ 080C22 MDSKA□□ 080-22 70 |
| 3121 | 3.9 | 3.6 | 513.121 | 7235 | 9323 | 10157 | 9324 | 11488 | 3.9 | 2.35E-03 | GKS14 - 4A □□□ 080C22 MDSKA□□ 080-22 70 |

Observe the notes for thermal dimensioning.

Selection tables - Helical-bevel gearboxes

Naturally ventilated asynchronous geared servo motors



| M ₂ [Nm] | n _{2 trans} [rpm] | c | i | M _{2 max} short-time on geared motor at | | | | M _{2 Gr} gearbox c=1 n ₁ ≤ 1400 rpm [Nm] | n _{2 therm} [rpm] | J _{GM} referred to motor shaft [kgm ²] | Helical-bevel geared servo motor Dimensions on Page 6-88 |
|------------------------|-------------------------------|-----|----------|---|-------------|----------------------------|-------------|--|-------------------------------|---|---|
| | | | | 8 kHz | | 16 kHz | | | | | |
| | | | | M _{2 max} [Nm] | Type EVS | M _{2 max} [Nm] | Type EVS | | | | |
| 3531 | 3.5 | 3.2 | 578.164 | 8152 | 9323 | 11445 | 9324 | 11639 | 3.5 | 2.35E-03 | GKS14 - 4A □□□ 080C22 MDSKA□□ 080-22 70 |
| 3814 | 3.2 | 2.9 | 622.742 | 8780 | 9323 | 12327 | 9324 | 11488 | 3.2 | 2.33E-03 | GKS14 - 4A □□□ 080C22 MDSKA□□ 080-22 70 |
| 4312 | 2.9 | 2.7 | 701.681 | 9893 | 9323 | 13890 | 9324 | 11639 | 2.9 | 2.33E-03 | GKS14 - 4A □□□ 080C22 MDSKA□□ 080-22 70 |
| 4973 | 2.5 | 2.3 | 805.901 | 11363 | 9323 | 15953 | 9324 | 11488 | 2.5 | 2.18E-03 | GKS14 - 4A □□□ 080C22 MDSKA□□ 080-22 70 |
| 5617 | 2.2 | 2.0 | 908.058 | 12803 | 9323 | 17459 | 9324 | 11639 | 2.2 | 2.18E-03 | GKS14 - 4A □□□ 080C22 MDSKA□□ 080-22 70 |
| 6061 | 2.0 | 1.9 | 978.071 | 13790 | 9323 | 17232 | 9324 | 11488 | 2.0 | 2.11E-03 | GKS14 - 4A □□□ 080C22 MDSKA□□ 080-22 70 |
| 6843 | 1.8 | 1.7 | 1102.052 | 15538 | 9323 | 17459 | 9324 | 11639 | 1.8 | 2.11E-03 | GKS14 - 4A □□□ 080C22 MDSKA□□ 080-22 70 |
| 7694 | 1.6 | 1.5 | 1236.326 | 17232 | 9323 | 17232 | 9324 | 11488 | 1.6 | 2.05E-03 | GKS14 - 4A □□□ 080C22 MDSKA□□ 080-22 70 |
| 8683 | 1.4 | 1.3 | 1393.043 | 17459 | 9323 | 17459 | 9324 | 11639 | 1.4 | 2.05E-03 | GKS14 - 4A □□□ 080C22 MDSKA□□ 080-22 70 |
| 1736 | 11 | 5.7 | 362.512 | 4468 | 9324 | 6465 | 9325 | 11520 | 9.9 | 2.56E-03 | GKS14 - 4A □□□ 080C22 MDSKA□□ 080-22 140 |
| 1880 | 10 | 5.2 | 390.671 | 4815 | 9324 | 6967 | 9325 | 11454 | 9.2 | 2.39E-03 | GKS14 - 4A □□□ 080C22 MDSKA□□ 080-22 140 |
| 2132 | 9.3 | 4.7 | 440.193 | 5425 | 9324 | 7850 | 9325 | 11520 | 8.2 | 2.39E-03 | GKS14 - 4A □□□ 080C22 MDSKA□□ 080-22 140 |
| 2504 | 8.0 | 4.0 | 513.121 | 6324 | 9324 | 9151 | 9325 | 11488 | 7.0 | 2.35E-03 | GKS14 - 4A □□□ 080C22 MDSKA□□ 080-22 140 |
| 2834 | 7.1 | 3.6 | 578.164 | 7126 | 9324 | 10311 | 9325 | 11639 | 6.2 | 2.35E-03 | GKS14 - 4A □□□ 080C22 MDSKA□□ 080-22 140 |
| 3063 | 6.6 | 3.3 | 622.742 | 7675 | 9324 | 11106 | 9325 | 11488 | 5.8 | 2.33E-03 | GKS14 - 4A □□□ 080C22 MDSKA□□ 080-22 140 |
| 3463 | 5.8 | 3.0 | 701.681 | 8648 | 9324 | 12514 | 9325 | 11639 | 5.1 | 2.33E-03 | GKS14 - 4A □□□ 080C22 MDSKA□□ 080-22 140 |
| 3996 | 5.1 | 2.5 | 805.901 | 9933 | 9324 | 14372 | 9325 | 11488 | 4.5 | 2.18E-03 | GKS14 - 4A □□□ 080C22 MDSKA□□ 080-22 140 |
| 4515 | 4.5 | 2.3 | 908.058 | 11192 | 9324 | 16194 | 9325 | 11639 | 4.0 | 2.18E-03 | GKS14 - 4A □□□ 080C22 MDSKA□□ 080-22 140 |
| 4873 | 4.2 | 2.1 | 978.071 | 12055 | 9324 | 17232 | 9325 | 11488 | 3.7 | 2.11E-03 | GKS14 - 4A □□□ 080C22 MDSKA□□ 080-22 140 |
| 5504 | 3.7 | 1.9 | 1102.052 | 13583 | 9324 | 17459 | 9325 | 11639 | 3.3 | 2.11E-03 | GKS14 - 4A □□□ 080C22 MDSKA□□ 080-22 140 |
| 6190 | 3.3 | 1.7 | 1236.326 | 15238 | 9324 | 17232 | 9325 | 11488 | 2.9 | 2.05E-03 | GKS14 - 4A □□□ 080C22 MDSKA□□ 080-22 140 |
| 6987 | 2.9 | 1.5 | 1393.043 | 17169 | 9324 | 17459 | 9325 | 11639 | 2.6 | 2.05E-03 | GKS14 - 4A □□□ 080C22 MDSKA□□ 080-22 140 |
| 1851 | 12 | 5.9 | 193.754 | 4414 | 9324 | 6241 | 9325 | 11522 | 12 | 4.81E-03 | GKS14 - 4A □□□ 090C22 MDSKA□□ 090-22 80 |
| 2102 | 11 | 5.2 | 218.315 | 4974 | 9324 | 7033 | 9325 | 11477 | 11 | 4.80E-03 | GKS14 - 4A □□□ 090C22 MDSKA□□ 090-22 80 |
| 2298 | 9.7 | 4.8 | 237.467 | 5410 | 9324 | 7650 | 9325 | 11454 | 9.7 | 4.69E-03 | GKS14 - 4A □□□ 090C22 MDSKA□□ 090-22 80 |
| 2604 | 8.6 | 4.3 | 267.568 | 6096 | 9324 | 8619 | 9325 | 11520 | 8.6 | 4.68E-03 | GKS14 - 4A □□□ 090C22 MDSKA□□ 090-22 80 |
| 3156 | 7.2 | 3.5 | 321.729 | 7330 | 9324 | 10364 | 9325 | 11454 | 7.2 | 4.24E-03 | GKS14 - 4A □□□ 090C22 MDSKA□□ 090-22 80 |
| 3571 | 6.3 | 3.2 | 362.512 | 8259 | 9324 | 11678 | 9325 | 11520 | 6.3 | 4.24E-03 | GKS14 - 4A □□□ 090C22 MDSKA□□ 090-22 80 |
| 3859 | 5.9 | 2.9 | 390.671 | 8901 | 9324 | 12585 | 9325 | 11454 | 5.9 | 4.07E-03 | GKS14 - 4A □□□ 090C22 MDSKA□□ 090-22 80 |
| 4363 | 5.2 | 2.6 | 440.193 | 10029 | 9324 | 14180 | 9325 | 11520 | 5.2 | 4.07E-03 | GKS14 - 4A □□□ 090C22 MDSKA□□ 090-22 80 |
| 5107 | 4.5 | 2.2 | 513.121 | 11690 | 9324 | 16529 | 9325 | 11488 | 4.5 | 4.03E-03 | GKS14 - 4A □□□ 090C22 MDSKA□□ 090-22 80 |
| 5768 | 4.0 | 2.0 | 578.164 | 13172 | 9324 | 17459 | 9325 | 11639 | 4.0 | 4.03E-03 | GKS14 - 4A □□□ 090C22 MDSKA□□ 090-22 80 |
| 6224 | 3.7 | 1.8 | 622.742 | 14188 | 9324 | 17232 | 9325 | 11488 | 3.7 | 4.01E-03 | GKS14 - 4A □□□ 090C22 MDSKA□□ 090-22 80 |
| 7027 | 3.3 | 1.6 | 701.681 | 15986 | 9324 | 17459 | 9325 | 11639 | 3.3 | 4.01E-03 | GKS14 - 4A □□□ 090C22 MDSKA□□ 090-22 80 |

Observe the notes for thermal dimensioning.

Selection tables - Helical-bevel gearboxes

Naturally ventilated asynchronous geared servo motors

| M ₂ [Nm] | n ₂ trans [rpm] | c | i | M ₂ max short-time on geared motor at | | | | M ₂ Gr gearbox c=1 n ₁ ≤ 1400 rpm [Nm] | n ₂ therm [rpm] | J _{GM} referred to motor shaft [kgm ²] | Helical-bevel geared servo motor Dimensions on Page 6-88 |
|------------------------|-------------------------------|-----|----------|---|-------------|----------------------------|-------------|--|-------------------------------|---|---|
| | | | | 8 kHz | | 16 kHz | | | | | |
| | | | | M ₂ max [Nm] | Type EVS | M ₂ max [Nm] | Type EVS | | | | |
| 8091 | 2.9 | 1.4 | 805.901 | 17232 | 9324 | 17232 | 9325 | 11488 | 2.9 | 3.86E-03 | GKS14 - 4A □□□ 090C22 MDSKA□□ 090-22 80 |
| 9130 | 2.5 | 1.3 | 908.058 | 17459 | 9324 | 17459 | 9325 | 11639 | 2.5 | 3.86E-03 | GKS14 - 4A □□□ 090C22 MDSKA□□ 090-22 80 |
| 9846 | 2.4 | 1.2 | 978.071 | 17232 | 9324 | 17232 | 9325 | 11488 | 2.4 | 3.79E-03 | GKS14 - 4A □□□ 090C22 MDSKA□□ 090-22 80 |
| 11108 | 2.1 | 1.0 | 1102.052 | 17459 | 9324 | 17459 | 9325 | 11639 | 2.1 | 3.79E-03 | GKS14 - 4A □□□ 090C22 MDSKA□□ 090-22 80 |
| 1847 | 19 | 5.3 | 218.315 | 4770 | 9325 | 5708 | 9326 | 11477 | 14 | 4.80E-03 | GKS14 - 4A □□□ 090C22 MDSKA□□ 090-22 140 |
| 2019 | 17 | 4.9 | 237.467 | 5188 | 9325 | 6208 | 9326 | 11454 | 13 | 4.69E-03 | GKS14 - 4A □□□ 090C22 MDSKA□□ 090-22 140 |
| 2288 | 15 | 4.4 | 267.568 | 5846 | 9325 | 6995 | 9326 | 11520 | 12 | 4.68E-03 | GKS14 - 4A □□□ 090C22 MDSKA□□ 090-22 140 |
| 2774 | 13 | 3.6 | 321.729 | 7029 | 9325 | 8411 | 9326 | 11454 | 9.7 | 4.24E-03 | GKS14 - 4A □□□ 090C22 MDSKA□□ 090-22 140 |
| 3139 | 11 | 3.2 | 362.512 | 7921 | 9325 | 9478 | 9326 | 11520 | 8.6 | 4.24E-03 | GKS14 - 4A □□□ 090C22 MDSKA□□ 090-22 140 |
| 3392 | 11 | 3.0 | 390.671 | 8536 | 9325 | 10214 | 9326 | 11454 | 8.0 | 4.07E-03 | GKS14 - 4A □□□ 090C22 MDSKA□□ 090-22 140 |
| 3835 | 9.3 | 2.7 | 440.193 | 9618 | 9325 | 11508 | 9326 | 11520 | 7.1 | 4.07E-03 | GKS14 - 4A □□□ 090C22 MDSKA□□ 090-22 140 |
| 4489 | 8.0 | 2.3 | 513.121 | 11211 | 9325 | 13415 | 9326 | 11488 | 6.1 | 4.03E-03 | GKS14 - 4A □□□ 090C22 MDSKA□□ 090-22 140 |
| 5071 | 7.1 | 2.0 | 578.164 | 12632 | 9325 | 15116 | 9326 | 11639 | 5.4 | 4.03E-03 | GKS14 - 4A □□□ 090C22 MDSKA□□ 090-22 140 |
| 5472 | 6.6 | 1.9 | 622.742 | 13606 | 9325 | 16281 | 9326 | 11488 | 5.0 | 4.01E-03 | GKS14 - 4A □□□ 090C22 MDSKA□□ 090-22 140 |
| 6179 | 5.9 | 1.7 | 701.681 | 15331 | 9325 | 17459 | 9326 | 11639 | 4.4 | 4.01E-03 | GKS14 - 4A □□□ 090C22 MDSKA□□ 090-22 140 |
| 7114 | 5.1 | 1.4 | 805.901 | 17232 | 9325 | 17232 | 9326 | 11488 | 3.9 | 3.86E-03 | GKS14 - 4A □□□ 090C22 MDSKA□□ 090-22 140 |
| 8029 | 4.5 | 1.3 | 908.058 | 17459 | 9325 | 17459 | 9326 | 11639 | 3.4 | 3.86E-03 | GKS14 - 4A □□□ 090C22 MDSKA□□ 090-22 140 |
| 8658 | 4.2 | 1.2 | 978.071 | 17232 | 9325 | 17232 | 9326 | 11488 | 3.2 | 3.79E-03 | GKS14 - 4A □□□ 090C22 MDSKA□□ 090-22 140 |
| 9768 | 3.7 | 1.1 | 1102.052 | 17459 | 9325 | 17459 | 9326 | 11639 | 2.8 | 3.79E-03 | GKS14 - 4A □□□ 090C22 MDSKA□□ 090-22 140 |
| 1723 | 20 | 5.9 | 119.493 | 5266 | 9325 | 3771 | 9325 | 10787 | 20 | 9.19E-03 | GKS14 - 4A □□□ 100C22 MDSKA□□ 100-22 80 |
| 1951 | 17 | 5.5 | 134.640 | 5934 | 9325 | 4249 | 9325 | 11261 | 17 | 9.18E-03 | GKS14 - 4A □□□ 100C22 MDSKA□□ 100-22 80 |
| 2308 | 15 | 4.8 | 158.039 | 6965 | 9325 | 4988 | 9325 | 11522 | 15 | 8.84E-03 | GKS14 - 4A □□□ 100C22 MDSKA□□ 100-22 80 |
| 2616 | 13 | 4.2 | 178.072 | 7848 | 9325 | 5620 | 9325 | 11477 | 13 | 8.83E-03 | GKS14 - 4A □□□ 100C22 MDSKA□□ 100-22 80 |
| 2857 | 12 | 3.9 | 193.754 | 8539 | 9325 | 6115 | 9325 | 11522 | 12 | 8.41E-03 | GKS14 - 4A □□□ 100C22 MDSKA□□ 100-22 80 |
| 3235 | 11 | 3.5 | 218.315 | 9621 | 9325 | 6890 | 9325 | 11477 | 11 | 8.40E-03 | GKS14 - 4A □□□ 100C22 MDSKA□□ 100-22 80 |
| 3530 | 9.9 | 3.2 | 237.467 | 10466 | 9325 | 7494 | 9325 | 11454 | 9.9 | 8.29E-03 | GKS14 - 4A □□□ 100C22 MDSKA□□ 100-22 80 |
| 3993 | 8.8 | 2.8 | 267.568 | 11792 | 9325 | 8444 | 9325 | 11520 | 8.8 | 8.28E-03 | GKS14 - 4A □□□ 100C22 MDSKA□□ 100-22 80 |
| 4826 | 7.3 | 2.3 | 321.729 | 14179 | 9325 | 10154 | 9325 | 11454 | 7.3 | 7.84E-03 | GKS14 - 4A □□□ 100C22 MDSKA□□ 100-22 80 |
| 5453 | 6.5 | 2.1 | 362.512 | 15976 | 9325 | 11441 | 9325 | 11520 | 6.5 | 7.84E-03 | GKS14 - 4A □□□ 100C22 MDSKA□□ 100-22 80 |
| 5887 | 6.0 | 1.9 | 390.671 | 17181 | 9325 | 12329 | 9325 | 11454 | 6.0 | 7.67E-03 | GKS14 - 4A □□□ 100C22 MDSKA□□ 100-22 80 |
| 6648 | 5.3 | 1.7 | 440.193 | 17280 | 9325 | 13892 | 9325 | 11520 | 5.3 | 7.67E-03 | GKS14 - 4A □□□ 100C22 MDSKA□□ 100-22 80 |
| 7770 | 4.6 | 1.5 | 513.121 | 17232 | 9325 | 16194 | 9325 | 11488 | 4.6 | 7.63E-03 | GKS14 - 4A □□□ 100C22 MDSKA□□ 100-22 80 |
| 8769 | 4.1 | 1.3 | 578.164 | 17459 | 9325 | 17459 | 9325 | 11639 | 4.1 | 7.63E-03 | GKS14 - 4A □□□ 100C22 MDSKA□□ 100-22 80 |
| 9456 | 3.8 | 1.2 | 622.742 | 17232 | 9325 | 17232 | 9325 | 11488 | 3.8 | 7.61E-03 | GKS14 - 4A □□□ 100C22 MDSKA□□ 100-22 80 |

Observe the notes for thermal dimensioning.

Selection tables - Helical-bevel gearboxes

Naturally ventilated asynchronous geared servo motors



| M ₂ [Nm] | n _{2 trans} [rpm] | c | i | M _{2 max} short-time on geared motor at | | | | M _{2 Gr} gearbox c=1 n ₁ ≤ 1400 rpm [Nm] | n _{2 therm} [rpm] | J _{GM} referred to motor shaft [kgm ²] | Helical-bevel geared servo motor Dimensions on Page 6-88 |
|------------------------|-------------------------------|-----|---------|--|-------------|----------------------------|-------------|---|-------------------------------|--|---|
| | | | | 8 kHz | | 16 kHz | | | | | |
| | | | | M _{2 max} [Nm] | Type EVS | M _{2 max} [Nm] | Type EVS | | | | |
| 10669 | 3.3 | 1.1 | 701.681 | 17459 | 9325 | 17459 | 9325 | 11639 | 3.3 | 7.61E-03 | GKS14 - 4A □□□ 100C22 MDSKA□□ 100-22 80 |
| 1679 | 26 | 5.8 | 158.039 | 6390 | 9326 | 3807 | 9326 | 11522 | 15 | 8.84E-03 | GKS14 - 4A □□□ 100C22 MDSKA□□ 100-22 140 |
| 1906 | 23 | 5.2 | 178.072 | 7199 | 9326 | 4290 | 9326 | 11477 | 14 | 8.83E-03 | GKS14 - 4A □□□ 100C22 MDSKA□□ 100-22 140 |
| 2083 | 21 | 4.8 | 193.754 | 7833 | 9326 | 4668 | 9326 | 11522 | 13 | 8.41E-03 | GKS14 - 4A □□□ 100C22 MDSKA□□ 100-22 140 |
| 2362 | 19 | 4.2 | 218.315 | 8826 | 9326 | 5259 | 9326 | 11477 | 11 | 8.40E-03 | GKS14 - 4A □□□ 100C22 MDSKA□□ 100-22 140 |
| 2579 | 17 | 3.9 | 237.467 | 9601 | 9326 | 5721 | 9326 | 11454 | 10 | 8.29E-03 | GKS14 - 4A □□□ 100C22 MDSKA□□ 100-22 140 |
| 2919 | 16 | 3.4 | 267.568 | 10818 | 9326 | 6446 | 9326 | 11520 | 9.2 | 8.28E-03 | GKS14 - 4A □□□ 100C22 MDSKA□□ 100-22 140 |
| 3533 | 13 | 2.9 | 321.729 | 13008 | 9326 | 7750 | 9326 | 11454 | 7.6 | 7.84E-03 | GKS14 - 4A □□□ 100C22 MDSKA□□ 100-22 140 |
| 3995 | 11 | 2.5 | 362.512 | 14656 | 9326 | 8733 | 9326 | 11520 | 6.8 | 7.84E-03 | GKS14 - 4A □□□ 100C22 MDSKA□□ 100-22 140 |
| 4314 | 11 | 2.3 | 390.671 | 15795 | 9326 | 9411 | 9326 | 11454 | 6.3 | 7.67E-03 | GKS14 - 4A □□□ 100C22 MDSKA□□ 100-22 140 |
| 4874 | 9.4 | 2.1 | 440.193 | 17280 | 9326 | 10604 | 9326 | 11520 | 5.6 | 7.67E-03 | GKS14 - 4A □□□ 100C22 MDSKA□□ 100-22 140 |
| 5700 | 8.1 | 1.8 | 513.121 | 17232 | 9326 | 12361 | 9326 | 11488 | 4.8 | 7.63E-03 | GKS14 - 4A □□□ 100C22 MDSKA□□ 100-22 140 |
| 6436 | 7.2 | 1.6 | 578.164 | 17459 | 9326 | 13928 | 9326 | 11639 | 4.2 | 7.63E-03 | GKS14 - 4A □□□ 100C22 MDSKA□□ 100-22 140 |
| 6942 | 6.7 | 1.5 | 622.742 | 17232 | 9326 | 15002 | 9326 | 11488 | 3.9 | 7.61E-03 | GKS14 - 4A □□□ 100C22 MDSKA□□ 100-22 140 |
| 7834 | 5.9 | 1.3 | 701.681 | 17459 | 9326 | 16903 | 9326 | 11639 | 3.5 | 7.61E-03 | GKS14 - 4A □□□ 100C22 MDSKA□□ 100-22 140 |
| 2160 | 26 | 4.3 | 97.467 | 7099 | 9326 | 5078 | 9326 | 10019 | 21 | 2.03E-02 | GKS14 - 4A □□□ 112C22 MDSKA□□ 112-22 85 |
| 2437 | 23 | 4.2 | 109.822 | 7998 | 9326 | 5722 | 9326 | 10937 | 18 | 2.03E-02 | GKS14 - 4A □□□ 112C22 MDSKA□□ 112-22 85 |
| 2659 | 21 | 3.9 | 119.493 | 8703 | 9326 | 6226 | 9326 | 10787 | 17 | 2.00E-02 | GKS14 - 4A □□□ 112C22 MDSKA□□ 112-22 85 |
| 3005 | 18 | 3.6 | 134.640 | 9806 | 9326 | 7015 | 9326 | 11261 | 15 | 2.00E-02 | GKS14 - 4A □□□ 112C22 MDSKA□□ 112-22 85 |
| 3546 | 16 | 3.2 | 158.039 | 11510 | 9326 | 8234 | 9326 | 11522 | 13 | 1.96E-02 | GKS14 - 4A □□□ 112C22 MDSKA□□ 112-22 85 |
| 4011 | 14 | 2.8 | 178.072 | 12969 | 9326 | 9278 | 9326 | 11477 | 11 | 1.96E-02 | GKS14 - 4A □□□ 112C22 MDSKA□□ 112-22 85 |
| 4375 | 13 | 2.6 | 193.754 | 14111 | 9326 | 10095 | 9326 | 11522 | 10 | 1.92E-02 | GKS14 - 4A □□□ 112C22 MDSKA□□ 112-22 85 |
| 4945 | 11 | 2.3 | 218.315 | 15900 | 9326 | 11375 | 9326 | 11477 | 9.2 | 1.92E-02 | GKS14 - 4A □□□ 112C22 MDSKA□□ 112-22 85 |
| 5390 | 10 | 2.1 | 237.467 | 17181 | 9326 | 12372 | 9326 | 11454 | 8.5 | 1.91E-02 | GKS14 - 4A □□□ 112C22 MDSKA□□ 112-22 85 |
| 6088 | 9.3 | 1.9 | 267.568 | 17280 | 9326 | 13941 | 9326 | 11520 | 7.5 | 1.91E-02 | GKS14 - 4A □□□ 112C22 MDSKA□□ 112-22 85 |
| 1477 | 43 | 5.2 | 97.467 | 3995 | 9326 | 3413 | 9327 | 10019 | 21 | 2.03E-02 | GKS14 - 4A □□□ 112C22 MDSKA□□ 112-22 140 |
| 1667 | 38 | 5.1 | 109.822 | 4502 | 9326 | 3845 | 9327 | 10937 | 18 | 2.03E-02 | GKS14 - 4A □□□ 112C22 MDSKA□□ 112-22 140 |
| 1813 | 35 | 5.1 | 119.493 | 4898 | 9326 | 4184 | 9327 | 10787 | 17 | 2.00E-02 | GKS14 - 4A □□□ 112C22 MDSKA□□ 112-22 140 |
| 2052 | 31 | 4.7 | 134.640 | 5519 | 9326 | 4714 | 9327 | 11261 | 15 | 2.00E-02 | GKS14 - 4A □□□ 112C22 MDSKA□□ 112-22 140 |
| 2425 | 26 | 4.1 | 158.039 | 6478 | 9326 | 5534 | 9327 | 11522 | 13 | 1.96E-02 | GKS14 - 4A □□□ 112C22 MDSKA□□ 112-22 140 |
| 2747 | 23 | 3.6 | 178.072 | 7299 | 9326 | 6235 | 9327 | 11477 | 11 | 1.96E-02 | GKS14 - 4A □□□ 112C22 MDSKA□□ 112-22 140 |
| 2998 | 21 | 3.4 | 193.754 | 7942 | 9326 | 6784 | 9327 | 11522 | 10 | 1.92E-02 | GKS14 - 4A □□□ 112C22 MDSKA□□ 112-22 140 |
| 3392 | 19 | 3.0 | 218.315 | 8949 | 9326 | 7644 | 9327 | 11477 | 9.2 | 1.92E-02 | GKS14 - 4A □□□ 112C22 MDSKA□□ 112-22 140 |
| 3700 | 18 | 2.7 | 237.467 | 9734 | 9326 | 8315 | 9327 | 11454 | 8.5 | 1.91E-02 | GKS14 - 4A □□□ 112C22 MDSKA□□ 112-22 140 |

Observe the notes for thermal dimensioning.

Selection tables - Helical-bevel gearboxes

Naturally ventilated asynchronous geared servo motors

| M ₂ [Nm] | n ₂ trans [rpm] | c | i | M ₂ max short-time on geared motor at | | | | M ₂ Gr gearbox c=1 n ₁ ≤ 1400 rpm [Nm] | n ₂ therm [rpm] | J _{GM} referred to motor shaft [kgm ²] | Helical-bevel geared servo motor Dimensions on Page 6-88 |
|------------------------|-------------------------------|-----|---------|---|-------------|----------------------------|-------------|--|-------------------------------|---|---|
| | | | | 8 kHz | | 16 kHz | | | | | |
| | | | | M ₂ max [Nm] | Type EVS | M ₂ max [Nm] | Type EVS | | | | |
| 4182 | 16 | 2.4 | 267.568 | 10968 | 9326 | 9369 | 9327 | 11520 | 7.5 | 1.91E-02 | GKS14 - 4A □□□ 112C22 MDSKA□□ 112-22 140 |

Observe the notes for thermal dimensioning.

Selection tables - Helical-bevel gearboxes

Forced ventilated asynchronous geared servo motors



| M ₂ [Nm] | n ₂ trans [rpm] | c | i | M ₂ max short-time on geared motor at | | | | M ₂ Gr gearbox c=1 n ₁ ≤ 1400 rpm [Nm] | n ₂ therm [rpm] | J _{GM} referred to motor shaft [kgm ²] | Helical-bevel geared servo motor Dimensions on Page 6-88 |
|------------------------|-------------------------------|-----|--------|---|-------------|----------------------------|-------------|--|-------------------------------|---|---|
| | | | | 8 kHz | | 16 kHz | | | | | |
| | | | | M ₂ max [Nm] | Type EVS | M ₂ max [Nm] | Type EVS | | | | |
| 30 | 666 | 2.0 | 5.123 | 63 | 9324 | 93 | 9325 | 81 | 593 | 9.47E-04 | GKS04 - 3A □□□ 071C22 MDFKA□□ 071-22 120 |
| 42 | 485 | 1.7 | 7.025 | 87 | 9324 | 127 | 9325 | 93 | 445 | 8.98E-04 | GKS04 - 3A □□□ 071C22 MDFKA□□ 071-22 120 |
| 48 | 418 | 2.0 | 8.167 | 101 | 9324 | 147 | 9325 | 128 | 372 | 9.16E-04 | GKS04 - 3A □□□ 071C22 MDFKA□□ 071-22 120 |
| 54 | 379 | 1.5 | 8.991 | 111 | 9324 | 154 | 9325 | 103 | 379 | 8.74E-04 | GKS04 - 3A □□□ 071C22 MDFKA□□ 071-22 120 |
| 59 | 347 | 1.4 | 9.836 | 122 | 9324 | 159 | 9325 | 106 | 347 | 8.68E-04 | GKS04 - 3A □□□ 071C22 MDFKA□□ 071-22 120 |
| 69 | 291 | 2.0 | 11.730 | 145 | 9324 | 212 | 9325 | 180 | 256 | 9.03E-04 | GKS04 - 3A □□□ 071C22 MDFKA□□ 071-22 120 |
| 78 | 261 | 1.6 | 13.067 | 161 | 9324 | 236 | 9325 | 165 | 206 | 9.00E-04 | GKS04 - 3A □□□ 071C22 MDFKA□□ 071-22 120 |
| 85 | 238 | 1.5 | 14.333 | 177 | 9324 | 246 | 9325 | 164 | 238 | 8.65E-04 | GKS04 - 3A □□□ 071C22 MDFKA□□ 071-22 120 |
| 96 | 212 | 1.4 | 16.087 | 199 | 9324 | 272 | 9325 | 181 | 181 | 8.74E-04 | GKS04 - 3A □□□ 071C22 MDFKA□□ 071-22 120 |
| 107 | 190 | 1.2 | 17.920 | 221 | 9324 | 249 | 9325 | 166 | 150 | 8.73E-04 | GKS04 - 3A □□□ 071C22 MDFKA□□ 071-22 120 |
| 123 | 166 | 1.1 | 20.588 | 254 | 9324 | 273 | 9325 | 182 | 148 | 8.60E-04 | GKS04 - 3A □□□ 071C22 MDFKA□□ 071-22 120 |
| 135 | 151 | 1.0 | 22.522 | 273 | 9324 | 273 | 9325 | 182 | 138 | 8.56E-04 | GKS04 - 3A □□□ 071C22 MDFKA□□ 071-22 120 |
| 40 | 497 | 2.7 | 6.863 | 85 | 9324 | 124 | 9325 | 147 | 389 | 1.02E-03 | GKS05 - 3A □□□ 071C22 MDFKA□□ 071-22 120 |
| 56 | 362 | 2.2 | 9.412 | 116 | 9324 | 170 | 9325 | 165 | 320 | 9.47E-04 | GKS05 - 3A □□□ 071C22 MDFKA□□ 071-22 120 |
| 62 | 323 | 2.7 | 10.569 | 131 | 9324 | 191 | 9325 | 227 | 253 | 9.90E-04 | GKS05 - 3A □□□ 071C22 MDFKA□□ 071-22 120 |
| 69 | 292 | 2.7 | 11.667 | 144 | 9324 | 211 | 9325 | 251 | 229 | 9.95E-04 | GKS05 - 3A □□□ 071C22 MDFKA□□ 071-22 120 |
| 78 | 259 | 1.6 | 13.176 | 163 | 9324 | 238 | 9325 | 165 | 231 | 9.01E-04 | GKS05 - 3A □□□ 071C22 MDFKA□□ 071-22 120 |
| 86 | 235 | 2.2 | 14.494 | 179 | 9324 | 262 | 9325 | 254 | 208 | 9.34E-04 | GKS05 - 3A □□□ 071C22 MDFKA□□ 071-22 120 |
| 95 | 213 | 2.2 | 16.000 | 198 | 9324 | 289 | 9325 | 280 | 188 | 9.34E-04 | GKS05 - 3A □□□ 071C22 MDFKA□□ 071-22 120 |
| 101 | 200 | 2.3 | 17.054 | 211 | 9324 | 308 | 9325 | 314 | 151 | 9.81E-04 | GKS05 - 3A □□□ 071C22 MDFKA□□ 071-22 120 |
| 114 | 177 | 2.0 | 19.216 | 237 | 9324 | 347 | 9325 | 297 | 129 | 9.77E-04 | GKS05 - 3A □□□ 071C22 MDFKA□□ 071-22 120 |
| 139 | 146 | 1.8 | 23.388 | 289 | 9324 | 422 | 9325 | 329 | 119 | 9.26E-04 | GKS05 - 3A □□□ 071C22 MDFKA□□ 071-22 120 |
| 157 | 129 | 1.4 | 26.353 | 325 | 9324 | 447 | 9325 | 298 | 94 | 9.25E-04 | GKS05 - 3A □□□ 071C22 MDFKA□□ 071-22 120 |
| 178 | 114 | 1.4 | 29.931 | 370 | 9324 | 495 | 9325 | 330 | 92 | 8.97E-04 | GKS05 - 3A □□□ 071C22 MDFKA□□ 071-22 120 |
| 195 | 104 | 1.3 | 32.744 | 404 | 9324 | 497 | 9325 | 331 | 85 | 8.88E-04 | GKS05 - 3A □□□ 071C22 MDFKA□□ 071-22 120 |
| 221 | 92 | 1.0 | 36.894 | 453 | 9324 | 453 | 9325 | 302 | 69 | 8.88E-04 | GKS05 - 3A □□□ 071C22 MDFKA□□ 071-22 120 |
| 250 | 82 | 1.0 | 41.765 | 497 | 9324 | 497 | 9325 | 331 | 71 | 8.72E-04 | GKS05 - 3A □□□ 071C22 MDFKA□□ 071-22 120 |
| 78 | 238 | 1.8 | 6.863 | 193 | 9324 | 140 | 9324 | 147 | 238 | 2.11E-03 | GKS05 - 3A □□□ 080C22 MDFKA□□ 080-22 60 |
| 107 | 174 | 1.5 | 9.412 | 247 | 9324 | 192 | 9324 | 165 | 174 | 2.04E-03 | GKS05 - 3A □□□ 080C22 MDFKA□□ 080-22 60 |
| 119 | 155 | 1.8 | 10.569 | 297 | 9324 | 216 | 9324 | 227 | 155 | 2.08E-03 | GKS05 - 3A □□□ 080C22 MDFKA□□ 080-22 60 |
| 132 | 140 | 1.8 | 11.667 | 328 | 9324 | 238 | 9324 | 251 | 140 | 2.08E-03 | GKS05 - 3A □□□ 080C22 MDFKA□□ 080-22 60 |
| 150 | 124 | 1.1 | 13.176 | 248 | 9324 | 248 | 9324 | 165 | 124 | 1.99E-03 | GKS05 - 3A □□□ 080C22 MDFKA□□ 080-22 60 |
| 164 | 113 | 1.5 | 14.494 | 380 | 9324 | 296 | 9324 | 254 | 113 | 2.02E-03 | GKS05 - 3A □□□ 080C22 MDFKA□□ 080-22 60 |
| 181 | 102 | 1.5 | 16.000 | 420 | 9324 | 327 | 9324 | 280 | 102 | 2.02E-03 | GKS05 - 3A □□□ 080C22 MDFKA□□ 080-22 60 |

Observe the notes for thermal dimensioning.

Selection tables - Helical-bevel gearboxes

Forced ventilated asynchronous geared servo motors

| M ₂ [Nm] | n ₂ trans [rpm] | c | i | M ₂ max short-time on geared motor at | | | | M ₂ Gr gearbox c=1 n ₁ ≤ 1400 rpm [Nm] | n ₂ therm [rpm] | J _{GM} referred to motor shaft [kgm ²] | Helical-bevel geared servo motor Dimensions on Page 6-88 |
|------------------------|-------------------------------|-----|--------|---|-------------|----------------------------|-------------|--|-------------------------------|---|---|
| | | | | 8 kHz | | 16 kHz | | | | | |
| | | | | M ₂ max [Nm] | Type EVS | M ₂ max [Nm] | Type EVS | | | | |
| 193 | 96 | 1.6 | 17.054 | 470 | 9324 | 348 | 9324 | 314 | 96 | 2.07E-03 | GKS05 - 3A □□□ 080C22 MDFKA□□ 080-22 60 |
| 218 | 85 | 1.3 | 19.216 | 446 | 9324 | 392 | 9324 | 297 | 85 | 2.07E-03 | GKS05 - 3A □□□ 080C22 MDFKA□□ 080-22 60 |
| 266 | 70 | 1.2 | 23.388 | 494 | 9324 | 478 | 9324 | 329 | 70 | 2.02E-03 | GKS05 - 3A □□□ 080C22 MDFKA□□ 080-22 60 |
| 70 | 503 | 1.6 | 6.863 | 191 | 9325 | 138 | 9325 | 147 | 321 | 2.11E-03 | GKS05 - 3A □□□ 080C22 MDFKA□□ 080-22 120 |
| 96 | 367 | 1.3 | 9.412 | 247 | 9325 | 190 | 9325 | 165 | 248 | 2.04E-03 | GKS05 - 3A □□□ 080C22 MDFKA□□ 080-22 120 |
| 108 | 327 | 1.6 | 10.569 | 294 | 9325 | 213 | 9325 | 227 | 209 | 2.08E-03 | GKS05 - 3A □□□ 080C22 MDFKA□□ 080-22 120 |
| 119 | 296 | 1.6 | 11.667 | 325 | 9325 | 235 | 9325 | 251 | 189 | 2.08E-03 | GKS05 - 3A □□□ 080C22 MDFKA□□ 080-22 120 |
| 148 | 238 | 1.3 | 14.494 | 380 | 9325 | 292 | 9325 | 254 | 161 | 2.02E-03 | GKS05 - 3A □□□ 080C22 MDFKA□□ 080-22 120 |
| 164 | 216 | 1.3 | 16.000 | 420 | 9325 | 322 | 9325 | 280 | 146 | 2.02E-03 | GKS05 - 3A □□□ 080C22 MDFKA□□ 080-22 120 |
| 174 | 203 | 1.4 | 17.054 | 470 | 9325 | 343 | 9325 | 314 | 119 | 2.07E-03 | GKS05 - 3A □□□ 080C22 MDFKA□□ 080-22 120 |
| 197 | 180 | 1.1 | 19.216 | 446 | 9325 | 387 | 9325 | 297 | 98 | 2.07E-03 | GKS05 - 3A □□□ 080C22 MDFKA□□ 080-22 120 |
| 240 | 148 | 1.0 | 23.388 | 494 | 9325 | 471 | 9325 | 329 | 90 | 2.02E-03 | GKS05 - 3A □□□ 080C22 MDFKA□□ 080-22 120 |
| 66 | 300 | 3.7 | 11.382 | 141 | 9324 | 205 | 9325 | 331 | 284 | 1.08E-03 | GKS06 - 3A □□□ 071C22 MDFKA□□ 071-22 120 |
| 104 | 191 | 3.7 | 17.809 | 220 | 9324 | 321 | 9325 | 518 | 182 | 1.04E-03 | GKS06 - 3A □□□ 071C22 MDFKA□□ 071-22 120 |
| 152 | 131 | 3.3 | 26.017 | 321 | 9324 | 470 | 9325 | 679 | 122 | 1.02E-03 | GKS06 - 3A □□□ 071C22 MDFKA□□ 071-22 120 |
| 167 | 120 | 3.0 | 28.461 | 351 | 9324 | 514 | 9325 | 682 | 113 | 9.97E-04 | GKS06 - 3A □□□ 071C22 MDFKA□□ 071-22 120 |
| 189 | 106 | 2.4 | 32.063 | 396 | 9324 | 579 | 9325 | 610 | 96 | 9.93E-04 | GKS06 - 3A □□□ 071C22 MDFKA□□ 071-22 120 |
| 214 | 94 | 2.4 | 36.303 | 448 | 9324 | 655 | 9325 | 685 | 94 | 9.48E-04 | GKS06 - 3A □□□ 071C22 MDFKA□□ 071-22 120 |
| 263 | 77 | 2.2 | 44.471 | 549 | 9324 | 803 | 9325 | 689 | 77 | 9.20E-04 | GKS06 - 3A □□□ 071C22 MDFKA□□ 071-22 120 |
| 315 | 64 | 1.9 | 53.074 | 655 | 9324 | 958 | 9325 | 695 | 52 | 9.82E-04 | GKS06 - 3A □□□ 071C22 MDFKA□□ 071-22 120 |
| 344 | 59 | 1.7 | 57.882 | 715 | 9324 | 1043 | 9325 | 695 | 59 | 8.88E-04 | GKS06 - 3A □□□ 071C22 MDFKA□□ 071-22 120 |
| 389 | 52 | 1.4 | 65.207 | 805 | 9324 | 936 | 9325 | 624 | 52 | 8.87E-04 | GKS06 - 3A □□□ 071C22 MDFKA□□ 071-22 120 |
| 429 | 47 | 1.4 | 72.000 | 889 | 9324 | 1053 | 9325 | 702 | 47 | 8.72E-04 | GKS06 - 3A □□□ 071C22 MDFKA□□ 071-22 120 |
| 485 | 42 | 1.1 | 81.111 | 945 | 9324 | 945 | 9325 | 630 | 42 | 8.72E-04 | GKS06 - 3A □□□ 071C22 MDFKA□□ 071-22 120 |
| 557 | 37 | 1.1 | 93.176 | 1053 | 9324 | 1053 | 9325 | 702 | 37 | 8.56E-04 | GKS06 - 3A □□□ 071C22 MDFKA□□ 071-22 120 |
| 72 | 252 | 3.5 | 6.485 | 182 | 9324 | 132 | 9324 | 263 | 252 | 2.51E-03 | GKS06 - 3A □□□ 080C22 MDFKA□□ 080-22 60 |
| 102 | 178 | 3.5 | 9.196 | 259 | 9324 | 188 | 9324 | 373 | 178 | 2.42E-03 | GKS06 - 3A □□□ 080C22 MDFKA□□ 080-22 60 |
| 113 | 161 | 3.5 | 10.147 | 285 | 9324 | 207 | 9324 | 412 | 161 | 2.41E-03 | GKS06 - 3A □□□ 080C22 MDFKA□□ 080-22 60 |
| 128 | 144 | 2.5 | 11.382 | 320 | 9324 | 233 | 9324 | 331 | 144 | 2.17E-03 | GKS06 - 3A □□□ 080C22 MDFKA□□ 080-22 60 |
| 141 | 130 | 2.9 | 12.612 | 355 | 9324 | 258 | 9324 | 426 | 130 | 2.24E-03 | GKS06 - 3A □□□ 080C22 MDFKA□□ 080-22 60 |
| 165 | 110 | 3.5 | 14.824 | 417 | 9324 | 303 | 9324 | 600 | 110 | 2.35E-03 | GKS06 - 3A □□□ 080C22 MDFKA□□ 080-22 60 |
| 186 | 98 | 3.1 | 16.699 | 470 | 9324 | 341 | 9324 | 604 | 98 | 2.34E-03 | GKS06 - 3A □□□ 080C22 MDFKA□□ 080-22 60 |
| 200 | 92 | 2.5 | 17.809 | 501 | 9324 | 364 | 9324 | 518 | 92 | 2.13E-03 | GKS06 - 3A □□□ 080C22 MDFKA□□ 080-22 60 |
| 227 | 80 | 2.8 | 20.329 | 572 | 9324 | 415 | 9324 | 665 | 80 | 2.20E-03 | GKS06 - 3A □□□ 080C22 MDFKA□□ 080-22 60 |

Observe the notes for thermal dimensioning.

Selection tables - Helical-bevel gearboxes

Forced ventilated asynchronous geared servo motors



| M ₂ [Nm] | n ₂ trans [rpm] | c | i | M ₂ max short-time on geared motor at | | | | M ₂ Gr gearbox c=1 n ₁ ≤ 1400 rpm [Nm] | n ₂ therm [rpm] | J _{GM} referred to motor shaft [kgm ²] | Helical-bevel geared servo motor Dimensions on Page 6-88 |
|------------------------|-------------------------------|-----|--------|---|-------------|----------------------------|-------------|--|-------------------------------|---|---|
| | | | | 8 kHz | | 16 kHz | | | | | |
| | | | | M ₂ max [Nm] | Type EVS | M ₂ max [Nm] | Type EVS | | | | |
| 258 | 71 | 2.3 | 22.902 | 644 | 9324 | 468 | 9324 | 606 | 71 | 2.19E-03 | GKS06 - 3A □□□ 080C22 MDFKA□□ 080-22 60 |
| 293 | 63 | 2.2 | 26.017 | 732 | 9324 | 531 | 9324 | 679 | 63 | 2.11E-03 | GKS06 - 3A □□□ 080C22 MDFKA□□ 080-22 60 |
| 321 | 57 | 2.0 | 28.461 | 800 | 9324 | 581 | 9324 | 682 | 57 | 2.09E-03 | GKS06 - 3A □□□ 080C22 MDFKA□□ 080-22 60 |
| 363 | 51 | 1.6 | 32.063 | 902 | 9324 | 655 | 9324 | 610 | 51 | 2.08E-03 | GKS06 - 3A □□□ 080C22 MDFKA□□ 080-22 60 |
| 411 | 45 | 1.6 | 36.303 | 1021 | 9324 | 741 | 9324 | 685 | 45 | 2.04E-03 | GKS06 - 3A □□□ 080C22 MDFKA□□ 080-22 60 |
| 471 | 39 | 1.4 | 41.472 | 1034 | 9324 | 847 | 9324 | 689 | 39 | 2.13E-03 | GKS06 - 3A □□□ 080C22 MDFKA□□ 080-22 60 |
| 505 | 37 | 1.4 | 44.471 | 1034 | 9324 | 908 | 9324 | 689 | 37 | 2.01E-03 | GKS06 - 3A □□□ 080C22 MDFKA□□ 080-22 60 |
| 604 | 31 | 1.1 | 53.074 | 1043 | 9324 | 1043 | 9324 | 695 | 31 | 2.07E-03 | GKS06 - 3A □□□ 080C22 MDFKA□□ 080-22 60 |
| 659 | 28 | 1.1 | 57.882 | 1043 | 9324 | 1043 | 9324 | 695 | 28 | 1.98E-03 | GKS06 - 3A □□□ 080C22 MDFKA□□ 080-22 60 |
| 65 | 533 | 3.0 | 6.485 | 181 | 9325 | 131 | 9325 | 263 | 354 | 2.51E-03 | GKS06 - 3A □□□ 080C22 MDFKA□□ 080-22 120 |
| 92 | 376 | 3.0 | 9.196 | 256 | 9325 | 185 | 9325 | 373 | 249 | 2.42E-03 | GKS06 - 3A □□□ 080C22 MDFKA□□ 080-22 120 |
| 102 | 340 | 3.0 | 10.147 | 282 | 9325 | 204 | 9325 | 412 | 226 | 2.41E-03 | GKS06 - 3A □□□ 080C22 MDFKA□□ 080-22 120 |
| 115 | 304 | 2.1 | 11.382 | 317 | 9325 | 229 | 9325 | 331 | 253 | 2.17E-03 | GKS06 - 3A □□□ 080C22 MDFKA□□ 080-22 120 |
| 127 | 274 | 2.5 | 12.612 | 351 | 9325 | 254 | 9325 | 426 | 203 | 2.24E-03 | GKS06 - 3A □□□ 080C22 MDFKA□□ 080-22 120 |
| 149 | 233 | 3.0 | 14.824 | 413 | 9325 | 299 | 9325 | 600 | 155 | 2.35E-03 | GKS06 - 3A □□□ 080C22 MDFKA□□ 080-22 120 |
| 168 | 207 | 2.7 | 16.699 | 465 | 9325 | 336 | 9325 | 604 | 134 | 2.34E-03 | GKS06 - 3A □□□ 080C22 MDFKA□□ 080-22 120 |
| 180 | 194 | 2.1 | 17.809 | 496 | 9325 | 359 | 9325 | 518 | 162 | 2.13E-03 | GKS06 - 3A □□□ 080C22 MDFKA□□ 080-22 120 |
| 205 | 170 | 2.4 | 20.329 | 566 | 9325 | 409 | 9325 | 665 | 125 | 2.20E-03 | GKS06 - 3A □□□ 080C22 MDFKA□□ 080-22 120 |
| 233 | 151 | 2.0 | 22.902 | 637 | 9325 | 461 | 9325 | 606 | 106 | 2.19E-03 | GKS06 - 3A □□□ 080C22 MDFKA□□ 080-22 120 |
| 264 | 133 | 1.9 | 26.017 | 724 | 9325 | 524 | 9325 | 679 | 107 | 2.11E-03 | GKS06 - 3A □□□ 080C22 MDFKA□□ 080-22 120 |
| 290 | 121 | 1.8 | 28.461 | 792 | 9325 | 573 | 9325 | 682 | 97 | 2.09E-03 | GKS06 - 3A □□□ 080C22 MDFKA□□ 080-22 120 |
| 328 | 108 | 1.4 | 32.063 | 892 | 9325 | 646 | 9325 | 610 | 76 | 2.08E-03 | GKS06 - 3A □□□ 080C22 MDFKA□□ 080-22 120 |
| 371 | 95 | 1.4 | 36.303 | 1010 | 9325 | 731 | 9325 | 685 | 76 | 2.04E-03 | GKS06 - 3A □□□ 080C22 MDFKA□□ 080-22 120 |
| 424 | 83 | 1.2 | 41.472 | 1034 | 9325 | 835 | 9325 | 689 | 45 | 2.13E-03 | GKS06 - 3A □□□ 080C22 MDFKA□□ 080-22 120 |
| 455 | 78 | 1.3 | 44.471 | 1034 | 9325 | 896 | 9325 | 689 | 70 | 2.01E-03 | GKS06 - 3A □□□ 080C22 MDFKA□□ 080-22 120 |
| 544 | 65 | 1.1 | 53.074 | 1043 | 9325 | 1043 | 9325 | 695 | 39 | 2.07E-03 | GKS06 - 3A □□□ 080C22 MDFKA□□ 080-22 120 |
| 594 | 60 | 1.0 | 57.882 | 1043 | 9325 | 1043 | 9325 | 695 | 58 | 1.98E-03 | GKS06 - 3A □□□ 080C22 MDFKA□□ 080-22 120 |
| 131 | 259 | 1.9 | 6.485 | 352 | 9325 | 259 | 9325 | 263 | 259 | 4.19E-03 | GKS06 - 3A □□□ 090C22 MDFKA□□ 090-22 60 |
| 186 | 183 | 1.9 | 9.196 | 500 | 9325 | 367 | 9325 | 373 | 183 | 4.10E-03 | GKS06 - 3A □□□ 090C22 MDFKA□□ 090-22 60 |
| 205 | 166 | 1.9 | 10.147 | 551 | 9325 | 405 | 9325 | 412 | 166 | 4.09E-03 | GKS06 - 3A □□□ 090C22 MDFKA□□ 090-22 60 |
| 232 | 148 | 1.4 | 11.382 | 497 | 9325 | 454 | 9325 | 331 | 148 | 3.85E-03 | GKS06 - 3A □□□ 090C22 MDFKA□□ 090-22 60 |
| 256 | 133 | 1.6 | 12.612 | 639 | 9325 | 503 | 9325 | 426 | 133 | 3.92E-03 | GKS06 - 3A □□□ 090C22 MDFKA□□ 090-22 60 |
| 300 | 113 | 1.9 | 14.824 | 805 | 9325 | 591 | 9325 | 600 | 113 | 4.03E-03 | GKS06 - 3A □□□ 090C22 MDFKA□□ 090-22 60 |
| 339 | 101 | 1.7 | 16.699 | 906 | 9325 | 666 | 9325 | 604 | 101 | 4.02E-03 | GKS06 - 3A □□□ 090C22 MDFKA□□ 090-22 60 |

Observe the notes for thermal dimensioning.

Selection tables - Helical-bevel gearboxes

Forced ventilated asynchronous geared servo motors

| M ₂ [Nm] | n _{2 trans} [rpm] | c | i | M _{2 max} short-time on geared motor at | | | | M _{2 Gr} gearbox c=1 n ₁ ≤ 1400 rpm [Nm] | n _{2 therm} [rpm] | J _{GM} referred to motor shaft [kgm ²] | Helical-bevel geared servo motor Dimensions on Page 6-88 |
|------------------------|-------------------------------|-----|---------|---|-------------|----------------------------|-------------|--|-------------------------------|---|---|
| | | | | 8 kHz | | 16 kHz | | | | | |
| | | | | M _{2 max} [Nm] | Type EVS | M _{2 max} [Nm] | Type EVS | | | | |
| 362 | 94 | 1.4 | 17.809 | 777 | 9325 | 711 | 9325 | 518 | 94 | 3.81E-03 | GKS06 - 3A □□□ 090C22 MDFKA□□ 090-22 60 |
| 413 | 83 | 1.5 | 20.329 | 998 | 9325 | 811 | 9325 | 665 | 83 | 3.88E-03 | GKS06 - 3A □□□ 090C22 MDFKA□□ 090-22 60 |
| 466 | 73 | 1.2 | 22.902 | 909 | 9325 | 909 | 9325 | 606 | 73 | 3.87E-03 | GKS06 - 3A □□□ 090C22 MDFKA□□ 090-22 60 |
| 530 | 65 | 1.2 | 26.017 | 1019 | 9325 | 1019 | 9325 | 679 | 65 | 3.79E-03 | GKS06 - 3A □□□ 090C22 MDFKA□□ 090-22 60 |
| 580 | 59 | 1.1 | 28.461 | 1023 | 9325 | 1023 | 9325 | 682 | 59 | 3.77E-03 | GKS06 - 3A □□□ 090C22 MDFKA□□ 090-22 60 |
| 116 | 537 | 1.7 | 6.485 | 312 | 9326 | 275 | 9327 | 263 | 294 | 4.19E-03 | GKS06 - 3A □□□ 090C22 MDFKA□□ 090-22 120 |
| 165 | 378 | 1.7 | 9.196 | 443 | 9326 | 390 | 9327 | 373 | 207 | 4.10E-03 | GKS06 - 3A □□□ 090C22 MDFKA□□ 090-22 120 |
| 182 | 343 | 1.7 | 10.147 | 489 | 9326 | 430 | 9327 | 412 | 188 | 4.09E-03 | GKS06 - 3A □□□ 090C22 MDFKA□□ 090-22 120 |
| 205 | 306 | 1.2 | 11.382 | 497 | 9326 | 482 | 9327 | 331 | 190 | 3.85E-03 | GKS06 - 3A □□□ 090C22 MDFKA□□ 090-22 120 |
| 227 | 276 | 1.4 | 12.612 | 607 | 9326 | 534 | 9327 | 426 | 160 | 3.92E-03 | GKS06 - 3A □□□ 090C22 MDFKA□□ 090-22 120 |
| 266 | 235 | 1.7 | 14.824 | 714 | 9326 | 628 | 9327 | 600 | 129 | 4.03E-03 | GKS06 - 3A □□□ 090C22 MDFKA□□ 090-22 120 |
| 300 | 208 | 1.5 | 16.699 | 804 | 9326 | 707 | 9327 | 604 | 107 | 4.02E-03 | GKS06 - 3A □□□ 090C22 MDFKA□□ 090-22 120 |
| 321 | 195 | 1.2 | 17.809 | 777 | 9326 | 755 | 9327 | 518 | 122 | 3.81E-03 | GKS06 - 3A □□□ 090C22 MDFKA□□ 090-22 120 |
| 365 | 171 | 1.4 | 20.329 | 979 | 9326 | 861 | 9327 | 665 | 98 | 3.88E-03 | GKS06 - 3A □□□ 090C22 MDFKA□□ 090-22 120 |
| 413 | 152 | 1.1 | 22.902 | 909 | 9326 | 909 | 9327 | 606 | 78 | 3.87E-03 | GKS06 - 3A □□□ 090C22 MDFKA□□ 090-22 120 |
| 469 | 134 | 1.1 | 26.017 | 1019 | 9326 | 1019 | 9327 | 679 | 79 | 3.79E-03 | GKS06 - 3A □□□ 090C22 MDFKA□□ 090-22 120 |
| 514 | 122 | 1.0 | 28.461 | 1023 | 9326 | 1023 | 9327 | 682 | 73 | 3.77E-03 | GKS06 - 3A □□□ 090C22 MDFKA□□ 090-22 120 |
| 208 | 95 | 4.5 | 36.063 | 445 | 9324 | 651 | 9325 | 1290 | 94 | 1.19E-03 | GKS07 - 3A □□□ 071C22 MDFKA□□ 071-22 120 |
| 336 | 59 | 3.3 | 57.501 | 710 | 9324 | 1038 | 9325 | 1310 | 59 | 1.00E-03 | GKS07 - 3A □□□ 071C22 MDFKA□□ 071-22 120 |
| 381 | 53 | 2.7 | 64.790 | 800 | 9324 | 1169 | 9325 | 1195 | 53 | 1.00E-03 | GKS07 - 3A □□□ 071C22 MDFKA□□ 071-22 120 |
| 414 | 48 | 2.7 | 70.474 | 870 | 9324 | 1272 | 9325 | 1320 | 48 | 9.59E-04 | GKS07 - 3A □□□ 071C22 MDFKA□□ 071-22 120 |
| 469 | 43 | 2.2 | 79.407 | 981 | 9324 | 1433 | 9325 | 1205 | 43 | 9.58E-04 | GKS07 - 3A □□□ 071C22 MDFKA□□ 071-22 120 |
| 548 | 37 | 2.1 | 92.563 | 1143 | 9324 | 1671 | 9325 | 1330 | 37 | 9.11E-04 | GKS07 - 3A □□□ 071C22 MDFKA□□ 071-22 120 |
| 620 | 33 | 1.7 | 104.296 | 1288 | 9324 | 1823 | 9325 | 1215 | 33 | 9.10E-04 | GKS07 - 3A □□□ 071C22 MDFKA□□ 071-22 120 |
| 666 | 30 | 1.9 | 112.338 | 1387 | 9324 | 1995 | 9325 | 1330 | 30 | 8.89E-04 | GKS07 - 3A □□□ 071C22 MDFKA□□ 071-22 120 |
| 753 | 27 | 1.5 | 126.578 | 1563 | 9324 | 1823 | 9325 | 1215 | 27 | 8.89E-04 | GKS07 - 3A □□□ 071C22 MDFKA□□ 071-22 120 |
| 836 | 24 | 1.5 | 140.548 | 1736 | 9324 | 1995 | 9325 | 1330 | 24 | 9.41E-04 | GKS07 - 3A □□□ 071C22 MDFKA□□ 071-22 120 |
| 945 | 22 | 1.2 | 158.364 | 1823 | 9324 | 1823 | 9325 | 1215 | 22 | 9.41E-04 | GKS07 - 3A □□□ 071C22 MDFKA□□ 071-22 120 |
| 1103 | 18 | 1.2 | 184.600 | 1995 | 9324 | 1995 | 9325 | 1330 | 18 | 8.99E-04 | GKS07 - 3A □□□ 071C22 MDFKA□□ 071-22 120 |
| 125 | 144 | 4.6 | 11.378 | 320 | 9324 | 232 | 9324 | 613 | 144 | 2.62E-03 | GKS07 - 3A □□□ 080C22 MDFKA□□ 080-22 60 |
| 189 | 95 | 4.9 | 17.270 | 486 | 9324 | 353 | 9324 | 998 | 95 | 2.65E-03 | GKS07 - 3A □□□ 080C22 MDFKA□□ 080-22 60 |
| 279 | 65 | 4.0 | 25.244 | 710 | 9324 | 516 | 9324 | 1177 | 65 | 2.59E-03 | GKS07 - 3A □□□ 080C22 MDFKA□□ 080-22 60 |
| 313 | 58 | 3.6 | 28.274 | 795 | 9324 | 577 | 9324 | 1202 | 58 | 2.48E-03 | GKS07 - 3A □□□ 080C22 MDFKA□□ 080-22 60 |
| 355 | 51 | 3.1 | 31.858 | 896 | 9324 | 651 | 9324 | 1172 | 51 | 2.47E-03 | GKS07 - 3A □□□ 080C22 MDFKA□□ 080-22 60 |

Observe the notes for thermal dimensioning.

Selection tables - Helical-bevel gearboxes

Forced ventilated asynchronous geared servo motors



| M ₂ [Nm] | n ₂ trans [rpm] | c | i | M ₂ max short-time on geared motor at | | | | M ₂ Gr gearbox c=1 n ₁ ≤ 1400 rpm [Nm] | n ₂ therm [rpm] | J _{GM} referred to motor shaft [kgm ²] | Helical-bevel geared servo motor Dimensions on Page 6-88 |
|------------------------|-------------------------------|-----|---------|---|-------------|----------------------------|-------------|--|-------------------------------|---|---|
| | | | | 8 kHz | | 16 kHz | | | | | |
| | | | | M ₂ max [Nm] | Type EVS | M ₂ max [Nm] | Type EVS | | | | |
| 402 | 45 | 3.0 | 36.063 | 1014 | 9324 | 737 | 9324 | 1290 | 45 | 2.28E-03 | GKS07 - 3A □□□ 080C22 MDFKA□□ 080-22 60 |
| 495 | 37 | 2.6 | 44.178 | 1242 | 9324 | 902 | 9324 | 1300 | 37 | 2.20E-03 | GKS07 - 3A □□□ 080C22 MDFKA□□ 080-22 60 |
| 566 | 32 | 2.3 | 50.345 | 1416 | 9324 | 1028 | 9324 | 1300 | 32 | 2.45E-03 | GKS07 - 3A □□□ 080C22 MDFKA□□ 080-22 60 |
| 649 | 28 | 2.0 | 57.501 | 1617 | 9324 | 1174 | 9324 | 1310 | 28 | 2.09E-03 | GKS07 - 3A □□□ 080C22 MDFKA□□ 080-22 60 |
| 734 | 25 | 1.6 | 64.790 | 1793 | 9324 | 1323 | 9324 | 1195 | 25 | 2.09E-03 | GKS07 - 3A □□□ 080C22 MDFKA□□ 080-22 60 |
| 798 | 23 | 1.6 | 70.474 | 1980 | 9324 | 1439 | 9324 | 1320 | 23 | 2.05E-03 | GKS07 - 3A □□□ 080C22 MDFKA□□ 080-22 60 |
| 902 | 21 | 1.3 | 79.407 | 1808 | 9324 | 1622 | 9324 | 1205 | 21 | 2.05E-03 | GKS07 - 3A □□□ 080C22 MDFKA□□ 080-22 60 |
| 1052 | 18 | 1.3 | 92.563 | 1995 | 9324 | 1890 | 9324 | 1330 | 18 | 2.00E-03 | GKS07 - 3A □□□ 080C22 MDFKA□□ 080-22 60 |
| 1189 | 16 | 1.0 | 104.296 | 1823 | 9324 | 1823 | 9324 | 1215 | 16 | 2.00E-03 | GKS07 - 3A □□□ 080C22 MDFKA□□ 080-22 60 |
| 1280 | 15 | 1.0 | 112.338 | 1995 | 9324 | 1995 | 9324 | 1330 | 15 | 1.98E-03 | GKS07 - 3A □□□ 080C22 MDFKA□□ 080-22 60 |
| 113 | 304 | 4.0 | 11.378 | 317 | 9325 | 229 | 9325 | 613 | 248 | 2.62E-03 | GKS07 - 3A □□□ 080C22 MDFKA□□ 080-22 120 |
| 171 | 200 | 4.3 | 17.270 | 481 | 9325 | 348 | 9325 | 998 | 159 | 2.65E-03 | GKS07 - 3A □□□ 080C22 MDFKA□□ 080-22 120 |
| 252 | 137 | 3.4 | 25.244 | 703 | 9325 | 508 | 9325 | 1177 | 104 | 2.59E-03 | GKS07 - 3A □□□ 080C22 MDFKA□□ 080-22 120 |
| 284 | 122 | 3.1 | 28.274 | 787 | 9325 | 569 | 9325 | 1202 | 95 | 2.48E-03 | GKS07 - 3A □□□ 080C22 MDFKA□□ 080-22 120 |
| 321 | 108 | 2.7 | 31.858 | 887 | 9325 | 642 | 9325 | 1172 | 82 | 2.47E-03 | GKS07 - 3A □□□ 080C22 MDFKA□□ 080-22 120 |
| 364 | 96 | 2.6 | 36.063 | 1004 | 9325 | 726 | 9325 | 1290 | 84 | 2.28E-03 | GKS07 - 3A □□□ 080C22 MDFKA□□ 080-22 120 |
| 446 | 78 | 2.5 | 44.178 | 1230 | 9325 | 890 | 9325 | 1300 | 74 | 2.20E-03 | GKS07 - 3A □□□ 080C22 MDFKA□□ 080-22 120 |
| 510 | 69 | 2.2 | 50.345 | 1401 | 9325 | 1014 | 9325 | 1300 | 47 | 2.45E-03 | GKS07 - 3A □□□ 080C22 MDFKA□□ 080-22 120 |
| 584 | 60 | 1.9 | 57.501 | 1600 | 9325 | 1158 | 9325 | 1310 | 60 | 2.09E-03 | GKS07 - 3A □□□ 080C22 MDFKA□□ 080-22 120 |
| 661 | 53 | 1.5 | 64.790 | 1793 | 9325 | 1305 | 9325 | 1195 | 52 | 2.09E-03 | GKS07 - 3A □□□ 080C22 MDFKA□□ 080-22 120 |
| 719 | 49 | 1.6 | 70.474 | 1961 | 9325 | 1419 | 9325 | 1320 | 49 | 2.05E-03 | GKS07 - 3A □□□ 080C22 MDFKA□□ 080-22 120 |
| 812 | 44 | 1.3 | 79.407 | 1808 | 9325 | 1599 | 9325 | 1205 | 44 | 2.05E-03 | GKS07 - 3A □□□ 080C22 MDFKA□□ 080-22 120 |
| 948 | 37 | 1.2 | 92.563 | 1995 | 9325 | 1864 | 9325 | 1330 | 37 | 2.00E-03 | GKS07 - 3A □□□ 080C22 MDFKA□□ 080-22 120 |
| 1151 | 31 | 1.1 | 112.338 | 1995 | 9325 | 1995 | 9325 | 1330 | 31 | 1.98E-03 | GKS07 - 3A □□□ 080C22 MDFKA□□ 080-22 120 |
| 118 | 282 | 3.7 | 5.955 | 324 | 9325 | 238 | 9325 | 471 | 282 | 5.53E-03 | GKS07 - 3A □□□ 090C22 MDFKA□□ 090-22 60 |
| 165 | 204 | 3.1 | 8.254 | 449 | 9325 | 329 | 9325 | 541 | 204 | 4.78E-03 | GKS07 - 3A □□□ 090C22 MDFKA□□ 090-22 60 |
| 182 | 183 | 3.7 | 9.171 | 498 | 9325 | 366 | 9325 | 725 | 183 | 5.20E-03 | GKS07 - 3A □□□ 090C22 MDFKA□□ 090-22 60 |
| 201 | 166 | 3.7 | 10.124 | 550 | 9325 | 404 | 9325 | 800 | 166 | 5.19E-03 | GKS07 - 3A □□□ 090C22 MDFKA□□ 090-22 60 |
| 229 | 148 | 2.5 | 11.378 | 618 | 9325 | 454 | 9325 | 613 | 148 | 4.30E-03 | GKS07 - 3A □□□ 090C22 MDFKA□□ 090-22 60 |
| 254 | 132 | 3.1 | 12.711 | 691 | 9325 | 507 | 9325 | 832 | 132 | 4.62E-03 | GKS07 - 3A □□□ 090C22 MDFKA□□ 090-22 60 |
| 295 | 114 | 3.3 | 14.798 | 804 | 9325 | 590 | 9325 | 1040 | 114 | 5.03E-03 | GKS07 - 3A □□□ 090C22 MDFKA□□ 090-22 60 |
| 333 | 101 | 3.0 | 16.674 | 906 | 9325 | 665 | 9325 | 1071 | 101 | 5.00E-03 | GKS07 - 3A □□□ 090C22 MDFKA□□ 090-22 60 |
| 346 | 97 | 2.7 | 17.270 | 938 | 9325 | 689 | 9325 | 998 | 97 | 4.33E-03 | GKS07 - 3A □□□ 090C22 MDFKA□□ 090-22 60 |
| 412 | 82 | 2.6 | 20.511 | 1114 | 9325 | 818 | 9325 | 1110 | 82 | 4.51E-03 | GKS07 - 3A □□□ 090C22 MDFKA□□ 090-22 60 |

Observe the notes for thermal dimensioning.

Selection tables - Helical-bevel gearboxes

Forced ventilated asynchronous geared servo motors

| M ₂ [Nm] | n _{2 trans} [rpm] | c | i | M _{2 max} short-time on geared motor at | | | | M _{2 Gr} gearbox c=1 n ₁ ≤ 1400 rpm [Nm] | n _{2 therm} [rpm] | J _{GM} referred to motor shaft [kgm ²] | Helical-bevel geared servo motor Dimensions on Page 6-88 |
|------------------------|-------------------------------|-----|--------|---|-------------|----------------------------|-------------|--|-------------------------------|---|---|
| | | | | 8 kHz | | 16 kHz | | | | | |
| | | | | M _{2 max} [Nm] | Type EVS | M _{2 max} [Nm] | Type EVS | | | | |
| 465 | 73 | 2.4 | 23.111 | 1256 | 9325 | 922 | 9325 | 1168 | 73 | 4.49E-03 | GKS07 - 3A □□□ 090C22 MDFKA□□ 090-22 60 |
| 509 | 67 | 2.2 | 25.244 | 1372 | 9325 | 1007 | 9325 | 1177 | 67 | 4.27E-03 | GKS07 - 3A □□□ 090C22 MDFKA□□ 090-22 60 |
| 571 | 59 | 2.0 | 28.274 | 1536 | 9325 | 1128 | 9325 | 1202 | 59 | 4.16E-03 | GKS07 - 3A □□□ 090C22 MDFKA□□ 090-22 60 |
| 646 | 53 | 1.7 | 31.858 | 1731 | 9325 | 1271 | 9325 | 1172 | 53 | 4.15E-03 | GKS07 - 3A □□□ 090C22 MDFKA□□ 090-22 60 |
| 731 | 47 | 1.7 | 36.063 | 1935 | 9325 | 1439 | 9325 | 1290 | 47 | 3.96E-03 | GKS07 - 3A □□□ 090C22 MDFKA□□ 090-22 60 |
| 831 | 41 | 1.5 | 40.906 | 1935 | 9325 | 1632 | 9325 | 1290 | 41 | 4.29E-03 | GKS07 - 3A □□□ 090C22 MDFKA□□ 090-22 60 |
| 898 | 38 | 1.4 | 44.178 | 1950 | 9325 | 1762 | 9325 | 1300 | 38 | 3.88E-03 | GKS07 - 3A □□□ 090C22 MDFKA□□ 090-22 60 |
| 1025 | 33 | 1.3 | 50.345 | 1950 | 9325 | 1950 | 9325 | 1300 | 33 | 4.13E-03 | GKS07 - 3A □□□ 090C22 MDFKA□□ 090-22 60 |
| 1173 | 29 | 1.1 | 57.501 | 1965 | 9325 | 1965 | 9325 | 1310 | 29 | 3.77E-03 | GKS07 - 3A □□□ 090C22 MDFKA□□ 090-22 60 |
| 105 | 584 | 3.3 | 5.955 | 287 | 9326 | 252 | 9327 | 471 | 335 | 5.53E-03 | GKS07 - 3A □□□ 090C22 MDFKA□□ 090-22 120 |
| 146 | 422 | 2.7 | 8.254 | 398 | 9326 | 350 | 9327 | 541 | 268 | 4.78E-03 | GKS07 - 3A □□□ 090C22 MDFKA□□ 090-22 120 |
| 161 | 379 | 3.3 | 9.171 | 442 | 9326 | 389 | 9327 | 725 | 217 | 5.20E-03 | GKS07 - 3A □□□ 090C22 MDFKA□□ 090-22 120 |
| 178 | 344 | 3.3 | 10.124 | 488 | 9326 | 429 | 9327 | 800 | 197 | 5.19E-03 | GKS07 - 3A □□□ 090C22 MDFKA□□ 090-22 120 |
| 203 | 306 | 2.3 | 11.378 | 548 | 9326 | 482 | 9327 | 613 | 220 | 4.30E-03 | GKS07 - 3A □□□ 090C22 MDFKA□□ 090-22 120 |
| 225 | 274 | 2.7 | 12.711 | 612 | 9326 | 539 | 9327 | 832 | 174 | 4.62E-03 | GKS07 - 3A □□□ 090C22 MDFKA□□ 090-22 120 |
| 262 | 235 | 2.9 | 14.798 | 713 | 9326 | 627 | 9327 | 1040 | 131 | 5.03E-03 | GKS07 - 3A □□□ 090C22 MDFKA□□ 090-22 120 |
| 296 | 209 | 2.7 | 16.674 | 803 | 9326 | 706 | 9327 | 1071 | 114 | 5.00E-03 | GKS07 - 3A □□□ 090C22 MDFKA□□ 090-22 120 |
| 307 | 202 | 2.4 | 17.270 | 832 | 9326 | 732 | 9327 | 998 | 141 | 4.33E-03 | GKS07 - 3A □□□ 090C22 MDFKA□□ 090-22 120 |
| 365 | 170 | 2.3 | 20.511 | 988 | 9326 | 869 | 9327 | 1110 | 103 | 4.51E-03 | GKS07 - 3A □□□ 090C22 MDFKA□□ 090-22 120 |
| 412 | 151 | 2.1 | 23.111 | 1113 | 9326 | 979 | 9327 | 1168 | 90 | 4.49E-03 | GKS07 - 3A □□□ 090C22 MDFKA□□ 090-22 120 |
| 451 | 138 | 2.0 | 25.244 | 1216 | 9326 | 1070 | 9327 | 1177 | 91 | 4.27E-03 | GKS07 - 3A □□□ 090C22 MDFKA□□ 090-22 120 |
| 506 | 123 | 1.8 | 28.274 | 1362 | 9326 | 1198 | 9327 | 1202 | 81 | 4.16E-03 | GKS07 - 3A □□□ 090C22 MDFKA□□ 090-22 120 |
| 572 | 109 | 1.5 | 31.858 | 1534 | 9326 | 1350 | 9327 | 1172 | 66 | 4.15E-03 | GKS07 - 3A □□□ 090C22 MDFKA□□ 090-22 120 |
| 647 | 97 | 1.5 | 36.063 | 1737 | 9326 | 1528 | 9327 | 1290 | 67 | 3.96E-03 | GKS07 - 3A □□□ 090C22 MDFKA□□ 090-22 120 |
| 736 | 85 | 1.3 | 40.906 | 1935 | 9326 | 1733 | 9327 | 1290 | 40 | 4.29E-03 | GKS07 - 3A □□□ 090C22 MDFKA□□ 090-22 120 |
| 794 | 79 | 1.4 | 44.178 | 1950 | 9326 | 1872 | 9327 | 1300 | 60 | 3.88E-03 | GKS07 - 3A □□□ 090C22 MDFKA□□ 090-22 120 |
| 906 | 69 | 1.2 | 50.345 | 1950 | 9326 | 1950 | 9327 | 1300 | 35 | 4.13E-03 | GKS07 - 3A □□□ 090C22 MDFKA□□ 090-22 120 |
| 1037 | 61 | 1.1 | 57.501 | 1965 | 9326 | 1965 | 9327 | 1310 | 49 | 3.77E-03 | GKS07 - 3A □□□ 090C22 MDFKA□□ 090-22 120 |
| 203 | 285 | 2.2 | 5.955 | 283 | 9325 | 342 | 9326 | 471 | 285 | 9.13E-03 | GKS07 - 3A □□□ 100C22 MDFKA□□ 100-22 60 |
| 282 | 206 | 1.8 | 8.254 | 393 | 9325 | 474 | 9326 | 541 | 206 | 8.38E-03 | GKS07 - 3A □□□ 100C22 MDFKA□□ 100-22 60 |
| 312 | 185 | 2.2 | 9.171 | 436 | 9325 | 527 | 9326 | 725 | 185 | 8.80E-03 | GKS07 - 3A □□□ 100C22 MDFKA□□ 100-22 60 |
| 345 | 168 | 2.2 | 10.124 | 482 | 9325 | 582 | 9326 | 800 | 168 | 8.79E-03 | GKS07 - 3A □□□ 100C22 MDFKA□□ 100-22 60 |
| 390 | 149 | 1.5 | 11.378 | 541 | 9325 | 654 | 9326 | 613 | 149 | 7.90E-03 | GKS07 - 3A □□□ 100C22 MDFKA□□ 100-22 60 |
| 434 | 134 | 1.8 | 12.711 | 605 | 9325 | 731 | 9326 | 832 | 134 | 8.22E-03 | GKS07 - 3A □□□ 100C22 MDFKA□□ 100-22 60 |

Observe the notes for thermal dimensioning.

Selection tables - Helical-bevel gearboxes

Forced ventilated asynchronous geared servo motors



| M ₂ [Nm] | n _{2 trans} [rpm] | c | i | M _{2 max} short-time on geared motor at | | | | M _{2 Gr} gearbox c=1 n ₁ ≤ 1400 rpm [Nm] | n _{2 therm} [rpm] | J _{GM} referred to motor shaft [kgm ²] | Helical-bevel geared servo motor Dimensions on Page 6-88 |
|------------------------|-------------------------------|------------|----------------|--|-------------|----------------------------|-------------|---|-------------------------------|--|---|
| | | | | 8 kHz | | 16 kHz | | | | | |
| | | | | M _{2 max} [Nm] | Type EVS | M _{2 max} [Nm] | Type EVS | | | | |
| 505 | 115 | 2.0 | 14.798 | 704 | 9325 | 850 | 9326 | 1040 | 115 | 8.63E-03 | GKS07 - 3A □□□ 100C22 MDFKA□□ 100-22 60 |
| 570 | 102 | 1.8 | 16.674 | 794 | 9325 | 958 | 9326 | 1071 | 99 | 8.60E-03 | GKS07 - 3A □□□ 100C22 MDFKA□□ 100-22 60 |
| 592 | 98 | 1.6 | 17.270 | 822 | 9325 | 992 | 9326 | 998 | 98 | 7.93E-03 | GKS07 - 3A □□□ 100C22 MDFKA□□ 100-22 60 |
| 703 | 83 | 1.5 | 20.511 | 976 | 9325 | 1179 | 9326 | 1110 | 83 | 8.11E-03 | GKS07 - 3A □□□ 100C22 MDFKA□□ 100-22 60 |
| 793 | 74 | 1.4 | 23.111 | 1100 | 9325 | 1328 | 9326 | 1168 | 73 | 8.09E-03 | GKS07 - 3A □□□ 100C22 MDFKA□□ 100-22 60 |
| 868 | 67 | 1.3 | 25.244 | 1201 | 9325 | 1451 | 9326 | 1177 | 67 | 7.87E-03 | GKS07 - 3A □□□ 100C22 MDFKA□□ 100-22 60 |
| 973 | 60 | 1.2 | 28.274 | 1346 | 9325 | 1625 | 9326 | 1202 | 60 | 7.76E-03 | GKS07 - 3A □□□ 100C22 MDFKA□□ 100-22 60 |
| 1098 | 53 | 1.0 | 31.858 | 1516 | 9325 | 1758 | 9326 | 1172 | 53 | 7.75E-03 | GKS07 - 3A □□□ 100C22 MDFKA□□ 100-22 60 |
| 202 | 589 | 1.7 | 5.955 | 382 | 9327 | 362 | 9328 | 471 | 273 | 9.13E-03 | GKS07 - 3A □□□ 100C22 MDFKA□□ 100-22 120 |
| 281 | 425 | 1.4 | 8.254 | 530 | 9327 | 502 | 9328 | 541 | 206 | 8.38E-03 | GKS07 - 3A □□□ 100C22 MDFKA□□ 100-22 120 |
| 311 | 383 | 1.7 | 9.171 | 589 | 9327 | 558 | 9328 | 725 | 177 | 8.80E-03 | GKS07 - 3A □□□ 100C22 MDFKA□□ 100-22 120 |
| 343 | 347 | 1.7 | 10.124 | 650 | 9327 | 615 | 9328 | 800 | 160 | 8.79E-03 | GKS07 - 3A □□□ 100C22 MDFKA□□ 100-22 120 |
| 388 | 309 | 1.2 | 11.378 | 731 | 9327 | 692 | 9328 | 613 | 162 | 7.90E-03 | GKS07 - 3A □□□ 100C22 MDFKA□□ 100-22 120 |
| 433 | 276 | 1.4 | 12.711 | 816 | 9327 | 773 | 9328 | 832 | 134 | 8.22E-03 | GKS07 - 3A □□□ 100C22 MDFKA□□ 100-22 120 |
| 503 | 237 | 1.5 | 14.798 | 950 | 9327 | 900 | 9328 | 1040 | 102 | 8.63E-03 | GKS07 - 3A □□□ 100C22 MDFKA□□ 100-22 120 |
| 568 | 211 | 1.4 | 16.674 | 1071 | 9327 | 1014 | 9328 | 1071 | 86 | 8.60E-03 | GKS07 - 3A □□□ 100C22 MDFKA□□ 100-22 120 |
| 589 | 203 | 1.3 | 17.270 | 1109 | 9327 | 1050 | 9328 | 998 | 104 | 7.93E-03 | GKS07 - 3A □□□ 100C22 MDFKA□□ 100-22 120 |
| 700 | 171 | 1.2 | 20.511 | 1317 | 9327 | 1247 | 9328 | 1110 | 75 | 8.11E-03 | GKS07 - 3A □□□ 100C22 MDFKA□□ 100-22 120 |
| 789 | 152 | 1.1 | 23.111 | 1484 | 9327 | 1405 | 9328 | 1168 | 65 | 8.09E-03 | GKS07 - 3A □□□ 100C22 MDFKA□□ 100-22 120 |
| 863 | 139 | 1.0 | 25.244 | 1621 | 9327 | 1535 | 9328 | 1177 | 64 | 7.87E-03 | GKS07 - 3A □□□ 100C22 MDFKA□□ 100-22 120 |
| 346 | 287 | 1.3 | 5.955 | 589 | 9326 | 706 | 9328 | 471 | 230 | 1.99E-02 | GKS07 - 3A □□□ 112C22 MDFKA□□ 112-22 60 |
| 481 | 207 | 1.1 | 8.254 | 811 | 9326 | 811 | 9328 | 541 | 178 | 1.92E-02 | GKS07 - 3A □□□ 112C22 MDFKA□□ 112-22 60 |
| 533 | 186 | 1.3 | 9.171 | 907 | 9326 | 1087 | 9328 | 725 | 150 | 1.96E-02 | GKS07 - 3A □□□ 112C22 MDFKA□□ 112-22 60 |
| 589 | 169 | 1.3 | 10.124 | 1001 | 9326 | 1200 | 9328 | 800 | 135 | 1.96E-02 | GKS07 - 3A □□□ 112C22 MDFKA□□ 112-22 60 |
| 741 | 135 | 1.1 | 12.711 | 1249 | 9326 | 1249 | 9328 | 832 | 116 | 1.90E-02 | GKS07 - 3A □□□ 112C22 MDFKA□□ 112-22 60 |
| 862 | 116 | 1.2 | 14.798 | 1463 | 9326 | 1560 | 9328 | 1040 | 87 | 1.94E-02 | GKS07 - 3A □□□ 112C22 MDFKA□□ 112-22 60 |
| 972 | 103 | 1.1 | 16.674 | 1607 | 9326 | 1607 | 9328 | 1071 | 74 | 1.94E-02 | GKS07 - 3A □□□ 112C22 MDFKA□□ 112-22 60 |
| 311 | 591 | 1.1 | 5.955 | 609 | 9328 | 706 | 9330 | 471 | 215 | 1.99E-02 | GKS07 - 3A □□□ 112C22 MDFKA□□ 112-22 120 |
| 478 | 384 | 1.1 | 9.171 | 938 | 9328 | 1087 | 9330 | 725 | 140 | 1.96E-02 | GKS07 - 3A □□□ 112C22 MDFKA□□ 112-22 120 |
| 528 | 348 | 1.1 | 10.124 | 1036 | 9328 | 1200 | 9330 | 800 | 127 | 1.96E-02 | GKS07 - 3A □□□ 112C22 MDFKA□□ 112-22 120 |
| 773 | 238 | 1.0 | 14.798 | 1514 | 9328 | 1560 | 9330 | 1040 | 82 | 1.94E-02 | GKS07 - 3A □□□ 112C22 MDFKA□□ 112-22 120 |
| 601 | 33 | 1.8 | 103.039 | 1251 | 9324 | 1828 | 9325 | 1290 | 33 | 9.14E-04 | GKS07 - 4A □□□ 071C22 MDFKA□□ 071-22 120 |
| 657 | 30 | 1.5 | 112.391 | 1364 | 9324 | 1580 | 9325 | 1053 | 30 | 8.93E-04 | GKS07 - 4A □□□ 071C22 MDFKA□□ 071-22 120 |
| 737 | 27 | 1.7 | 126.222 | 1532 | 9324 | 1950 | 9325 | 1300 | 27 | 9.03E-04 | GKS07 - 4A □□□ 071C22 MDFKA□□ 071-22 120 |

Observe the notes for thermal dimensioning.

Selection tables - Helical-bevel gearboxes

Forced ventilated asynchronous geared servo motors

| M ₂ [Nm] | n ₂ trans [rpm] | c | i | M ₂ max short-time on geared motor at | | | | M ₂ Gr gearbox c=1 n ₁ ≤ 1400 rpm [Nm] | n ₂ therm [rpm] | J _{GM} referred to motor shaft [kgm ²] | Helical-bevel geared servo motor Dimensions on Page 6-88 |
|------------------------|-------------------------------|-----|---------|---|-------------|----------------------------|-------------|--|-------------------------------|---|---|
| | | | | 8 kHz | | 16 kHz | | | | | |
| | | | | M ₂ max [Nm] | Type EVS | M ₂ max [Nm] | Type EVS | | | | |
| 808 | 25 | 1.2 | 137.748 | 1580 | 9324 | 1580 | 9325 | 1053 | 25 | 8.87E-04 | GKS07 - 4A □□□ 071C22 MDFKA□□ 071-22 120 |
| 906 | 22 | 1.4 | 154.622 | 1877 | 9324 | 1950 | 9325 | 1300 | 22 | 8.83E-04 | GKS07 - 4A □□□ 071C22 MDFKA□□ 071-22 120 |
| 1183 | 17 | 1.1 | 201.254 | 1965 | 9324 | 1965 | 9325 | 1310 | 17 | 8.75E-04 | GKS07 - 4A □□□ 071C22 MDFKA□□ 071-22 120 |
| 1153 | 16 | 1.1 | 103.039 | 1935 | 9324 | 1935 | 9324 | 1290 | 16 | 2.00E-03 | GKS07 - 4A □□□ 080C22 MDFKA□□ 080-22 60 |
| 1038 | 34 | 1.1 | 103.039 | 1935 | 9325 | 1935 | 9325 | 1290 | 34 | 2.00E-03 | GKS07 - 4A □□□ 080C22 MDFKA□□ 080-22 120 |
| 642 | 28 | 4.5 | 58.456 | 1644 | 9324 | 1194 | 9324 | 2977 | 28 | 2.47E-03 | GKS09 - 3A □□□ 080C22 MDFKA□□ 080-22 60 |
| 727 | 25 | 4.1 | 65.879 | 1852 | 9324 | 1345 | 9324 | 3048 | 25 | 2.47E-03 | GKS09 - 3A □□□ 080C22 MDFKA□□ 080-22 60 |
| 786 | 23 | 3.7 | 70.982 | 1996 | 9324 | 1450 | 9324 | 3031 | 23 | 2.33E-03 | GKS09 - 3A □□□ 080C22 MDFKA□□ 080-22 60 |
| 889 | 20 | 3.4 | 79.996 | 2249 | 9324 | 1634 | 9324 | 3071 | 20 | 2.33E-03 | GKS09 - 3A □□□ 080C22 MDFKA□□ 080-22 60 |
| 1026 | 18 | 2.9 | 91.860 | 2583 | 9324 | 1876 | 9324 | 3031 | 18 | 2.18E-03 | GKS09 - 3A □□□ 080C22 MDFKA□□ 080-22 60 |
| 1160 | 16 | 2.6 | 103.524 | 2911 | 9324 | 2114 | 9324 | 3080 | 16 | 2.18E-03 | GKS09 - 3A □□□ 080C22 MDFKA□□ 080-22 60 |
| 1252 | 15 | 2.4 | 111.484 | 3135 | 9324 | 2277 | 9324 | 3031 | 15 | 2.11E-03 | GKS09 - 3A □□□ 080C22 MDFKA□□ 080-22 60 |
| 1415 | 13 | 2.2 | 125.641 | 3533 | 9324 | 2566 | 9324 | 3080 | 13 | 2.11E-03 | GKS09 - 3A □□□ 080C22 MDFKA□□ 080-22 60 |
| 1592 | 12 | 1.9 | 140.921 | 3962 | 9324 | 2878 | 9324 | 2973 | 12 | 2.05E-03 | GKS09 - 3A □□□ 080C22 MDFKA□□ 080-22 60 |
| 1797 | 10 | 1.7 | 158.816 | 4465 | 9324 | 3243 | 9324 | 3080 | 10 | 2.05E-03 | GKS09 - 3A □□□ 080C22 MDFKA□□ 080-22 60 |
| 2064 | 9.0 | 1.5 | 182.000 | 4547 | 9324 | 3717 | 9324 | 3031 | 9.0 | 2.15E-03 | GKS09 - 3A □□□ 080C22 MDFKA□□ 080-22 60 |
| 2330 | 8.0 | 1.3 | 205.111 | 4620 | 9324 | 4189 | 9324 | 3080 | 8.0 | 2.14E-03 | GKS09 - 3A □□□ 080C22 MDFKA□□ 080-22 60 |
| 2512 | 7.4 | 1.2 | 220.882 | 4547 | 9324 | 4511 | 9324 | 3031 | 7.4 | 2.09E-03 | GKS09 - 3A □□□ 080C22 MDFKA□□ 080-22 60 |
| 2835 | 6.6 | 1.1 | 248.930 | 4620 | 9324 | 4620 | 9324 | 3080 | 6.6 | 2.09E-03 | GKS09 - 3A □□□ 080C22 MDFKA□□ 080-22 60 |
| 344 | 98 | 5.6 | 35.193 | 980 | 9325 | 709 | 9325 | 2670 | 83 | 3.14E-03 | GKS09 - 3A □□□ 080C22 MDFKA□□ 080-22 120 |
| 387 | 87 | 5.6 | 39.662 | 1104 | 9325 | 799 | 9325 | 3002 | 73 | 3.12E-03 | GKS09 - 3A □□□ 080C22 MDFKA□□ 080-22 120 |
| 579 | 59 | 4.3 | 58.456 | 1627 | 9325 | 1177 | 9325 | 2977 | 59 | 2.47E-03 | GKS09 - 3A □□□ 080C22 MDFKA□□ 080-22 120 |
| 655 | 52 | 3.9 | 65.879 | 1834 | 9325 | 1327 | 9325 | 3048 | 52 | 2.47E-03 | GKS09 - 3A □□□ 080C22 MDFKA□□ 080-22 120 |
| 708 | 49 | 3.6 | 70.982 | 1976 | 9325 | 1429 | 9325 | 3031 | 49 | 2.33E-03 | GKS09 - 3A □□□ 080C22 MDFKA□□ 080-22 120 |
| 801 | 43 | 3.2 | 79.996 | 2226 | 9325 | 1611 | 9325 | 3071 | 43 | 2.33E-03 | GKS09 - 3A □□□ 080C22 MDFKA□□ 080-22 120 |
| 925 | 38 | 2.8 | 91.860 | 2557 | 9325 | 1850 | 9325 | 3031 | 38 | 2.18E-03 | GKS09 - 3A □□□ 080C22 MDFKA□□ 080-22 120 |
| 1045 | 33 | 2.5 | 103.524 | 2881 | 9325 | 2085 | 9325 | 3080 | 33 | 2.18E-03 | GKS09 - 3A □□□ 080C22 MDFKA□□ 080-22 120 |
| 1125 | 31 | 2.5 | 111.484 | 3103 | 9325 | 2245 | 9325 | 3031 | 31 | 2.11E-03 | GKS09 - 3A □□□ 080C22 MDFKA□□ 080-22 120 |
| 1272 | 28 | 2.3 | 125.641 | 3497 | 9325 | 2530 | 9325 | 3080 | 28 | 2.11E-03 | GKS09 - 3A □□□ 080C22 MDFKA□□ 080-22 120 |
| 1431 | 25 | 2.0 | 140.921 | 3922 | 9325 | 2838 | 9325 | 2973 | 25 | 2.05E-03 | GKS09 - 3A □□□ 080C22 MDFKA□□ 080-22 120 |
| 1615 | 22 | 1.8 | 158.816 | 4420 | 9325 | 3198 | 9325 | 3080 | 22 | 2.05E-03 | GKS09 - 3A □□□ 080C22 MDFKA□□ 080-22 120 |
| 1856 | 19 | 1.5 | 182.000 | 4547 | 9325 | 3665 | 9325 | 3031 | 19 | 2.15E-03 | GKS09 - 3A □□□ 080C22 MDFKA□□ 080-22 120 |
| 2095 | 17 | 1.4 | 205.111 | 4620 | 9325 | 4130 | 9325 | 3080 | 17 | 2.14E-03 | GKS09 - 3A □□□ 080C22 MDFKA□□ 080-22 120 |
| 2259 | 16 | 1.3 | 220.882 | 4547 | 9325 | 4448 | 9325 | 3031 | 16 | 2.09E-03 | GKS09 - 3A □□□ 080C22 MDFKA□□ 080-22 120 |

Observe the notes for thermal dimensioning.

Selection tables - Helical-bevel gearboxes

Forced ventilated asynchronous geared servo motors



| M ₂ [Nm] | n _{2 trans} [rpm] | c | i | M _{2 max} short-time on geared motor at | | | | M _{2 Gr} gearbox c=1 n ₁ ≤ 1400 rpm [Nm] | n _{2 therm} [rpm] | J _{GM} referred to motor shaft [kgm ²] | Helical-bevel geared servo motor Dimensions on Page 6-88 |
|------------------------|-------------------------------|-----|---------|---|-------------|----------------------------|-------------|--|-------------------------------|---|---|
| | | | | 8 kHz | | 16 kHz | | | | | |
| | | | | M _{2 max} [Nm] | Type EVS | M _{2 max} [Nm] | Type EVS | | | | |
| 2550 | 14 | 1.2 | 248.930 | 4620 | 9325 | 4620 | 9325 | 3080 | 14 | 2.09E-03 | GKS09 - 3A □□□ 080C22 MDFKA□□ 080-22 120 |
| 2864 | 12 | 1.0 | 279.205 | 4547 | 9325 | 4547 | 9325 | 3031 | 12 | 2.03E-03 | GKS09 - 3A □□□ 080C22 MDFKA□□ 080-22 120 |
| 314 | 104 | 5.3 | 16.122 | 876 | 9325 | 643 | 9325 | 1801 | 104 | 5.86E-03 | GKS09 - 3A □□□ 090C22 MDFKA□□ 090-22 60 |
| 342 | 96 | 5.3 | 17.536 | 953 | 9325 | 700 | 9325 | 1958 | 96 | 5.82E-03 | GKS09 - 3A □□□ 090C22 MDFKA□□ 090-22 60 |
| 500 | 66 | 5.3 | 25.649 | 1394 | 9325 | 1023 | 9325 | 2862 | 66 | 5.65E-03 | GKS09 - 3A □□□ 090C22 MDFKA□□ 090-22 60 |
| 574 | 57 | 4.7 | 29.228 | 1588 | 9325 | 1166 | 9325 | 2914 | 57 | 5.19E-03 | GKS09 - 3A □□□ 090C22 MDFKA□□ 090-22 60 |
| 650 | 51 | 4.3 | 32.940 | 1790 | 9325 | 1314 | 9325 | 2984 | 51 | 5.16E-03 | GKS09 - 3A □□□ 090C22 MDFKA□□ 090-22 60 |
| 696 | 48 | 4.1 | 35.193 | 1912 | 9325 | 1404 | 9325 | 3029 | 48 | 4.82E-03 | GKS09 - 3A □□□ 090C22 MDFKA□□ 090-22 60 |
| 788 | 42 | 3.6 | 39.662 | 2155 | 9325 | 1582 | 9325 | 3002 | 42 | 4.80E-03 | GKS09 - 3A □□□ 090C22 MDFKA□□ 090-22 60 |
| 859 | 39 | 3.4 | 43.146 | 2344 | 9325 | 1721 | 9325 | 3024 | 39 | 4.50E-03 | GKS09 - 3A □□□ 090C22 MDFKA□□ 090-22 60 |
| 972 | 35 | 3.0 | 48.625 | 2642 | 9325 | 1940 | 9325 | 3017 | 35 | 4.49E-03 | GKS09 - 3A □□□ 090C22 MDFKA□□ 090-22 60 |
| 1174 | 29 | 2.5 | 58.456 | 3176 | 9325 | 2332 | 9325 | 3031 | 29 | 4.15E-03 | GKS09 - 3A □□□ 090C22 MDFKA□□ 090-22 60 |
| 1327 | 26 | 2.3 | 65.879 | 3579 | 9325 | 2628 | 9325 | 3048 | 26 | 4.15E-03 | GKS09 - 3A □□□ 090C22 MDFKA□□ 090-22 60 |
| 1433 | 24 | 2.1 | 70.982 | 3857 | 9325 | 2832 | 9325 | 3031 | 24 | 4.01E-03 | GKS09 - 3A □□□ 090C22 MDFKA□□ 090-22 60 |
| 1619 | 21 | 1.9 | 79.996 | 4346 | 9325 | 3191 | 9325 | 3071 | 21 | 4.01E-03 | GKS09 - 3A □□□ 090C22 MDFKA□□ 090-22 60 |
| 1864 | 18 | 1.6 | 91.860 | 4547 | 9325 | 3665 | 9325 | 3031 | 18 | 3.86E-03 | GKS09 - 3A □□□ 090C22 MDFKA□□ 090-22 60 |
| 2104 | 16 | 1.5 | 103.524 | 4620 | 9325 | 4130 | 9325 | 3080 | 16 | 3.86E-03 | GKS09 - 3A □□□ 090C22 MDFKA□□ 090-22 60 |
| 2269 | 15 | 1.3 | 111.484 | 4547 | 9325 | 4448 | 9325 | 3031 | 15 | 3.79E-03 | GKS09 - 3A □□□ 090C22 MDFKA□□ 090-22 60 |
| 2560 | 13 | 1.2 | 125.641 | 4620 | 9325 | 4620 | 9325 | 3080 | 13 | 3.79E-03 | GKS09 - 3A □□□ 090C22 MDFKA□□ 090-22 60 |
| 280 | 216 | 4.7 | 16.122 | 776 | 9326 | 683 | 9327 | 1801 | 141 | 5.86E-03 | GKS09 - 3A □□□ 090C22 MDFKA□□ 090-22 120 |
| 304 | 198 | 4.7 | 17.536 | 845 | 9326 | 743 | 9327 | 1958 | 129 | 5.82E-03 | GKS09 - 3A □□□ 090C22 MDFKA□□ 090-22 120 |
| 445 | 136 | 4.7 | 25.649 | 1235 | 9326 | 1087 | 9327 | 2862 | 88 | 5.65E-03 | GKS09 - 3A □□□ 090C22 MDFKA□□ 090-22 120 |
| 510 | 119 | 4.2 | 29.228 | 1408 | 9326 | 1238 | 9327 | 2914 | 83 | 5.19E-03 | GKS09 - 3A □□□ 090C22 MDFKA□□ 090-22 120 |
| 577 | 106 | 3.8 | 32.940 | 1586 | 9326 | 1395 | 9327 | 2984 | 72 | 5.16E-03 | GKS09 - 3A □□□ 090C22 MDFKA□□ 090-22 120 |
| 618 | 99 | 3.6 | 35.193 | 1695 | 9326 | 1491 | 9327 | 3029 | 75 | 4.82E-03 | GKS09 - 3A □□□ 090C22 MDFKA□□ 090-22 120 |
| 699 | 88 | 3.2 | 39.662 | 1910 | 9326 | 1680 | 9327 | 3002 | 65 | 4.80E-03 | GKS09 - 3A □□□ 090C22 MDFKA□□ 090-22 120 |
| 760 | 81 | 3.3 | 43.146 | 2078 | 9326 | 1828 | 9327 | 3024 | 66 | 4.50E-03 | GKS09 - 3A □□□ 090C22 MDFKA□□ 090-22 120 |
| 860 | 72 | 3.0 | 48.625 | 2342 | 9326 | 2060 | 9327 | 3017 | 57 | 4.49E-03 | GKS09 - 3A □□□ 090C22 MDFKA□□ 090-22 120 |
| 1039 | 60 | 2.5 | 58.456 | 2815 | 9326 | 2476 | 9327 | 3031 | 53 | 4.15E-03 | GKS09 - 3A □□□ 090C22 MDFKA□□ 090-22 120 |
| 1174 | 53 | 2.2 | 65.879 | 3173 | 9326 | 2791 | 9327 | 3048 | 47 | 4.15E-03 | GKS09 - 3A □□□ 090C22 MDFKA□□ 090-22 120 |
| 1267 | 49 | 2.0 | 70.982 | 3418 | 9326 | 3007 | 9327 | 3031 | 44 | 4.01E-03 | GKS09 - 3A □□□ 090C22 MDFKA□□ 090-22 120 |
| 1431 | 44 | 1.8 | 79.996 | 3853 | 9326 | 3389 | 9327 | 3071 | 39 | 4.01E-03 | GKS09 - 3A □□□ 090C22 MDFKA□□ 090-22 120 |
| 1648 | 38 | 1.6 | 91.860 | 4424 | 9326 | 3892 | 9327 | 3031 | 34 | 3.86E-03 | GKS09 - 3A □□□ 090C22 MDFKA□□ 090-22 120 |
| 1860 | 34 | 1.4 | 103.524 | 4620 | 9326 | 4386 | 9327 | 3080 | 30 | 3.86E-03 | GKS09 - 3A □□□ 090C22 MDFKA□□ 090-22 120 |

Observe the notes for thermal dimensioning.

Selection tables - Helical-bevel gearboxes

Forced ventilated asynchronous geared servo motors

| M ₂ [Nm] | n ₂ trans [rpm] | c | i | M ₂ max short-time on geared motor at | | | | M ₂ Gr gearbox c=1 n ₁ ≤ 1400 rpm [Nm] | n ₂ therm [rpm] | J _{GM} referred to motor shaft [kgm ²] | Helical-bevel geared servo motor Dimensions on Page 6-88 |
|------------------------|-------------------------------|-----|---------|---|-------------|----------------------------|-------------|--|-------------------------------|---|---|
| | | | | 8 kHz | | 16 kHz | | | | | |
| | | | | M ₂ max [Nm] | Type EVS | M ₂ max [Nm] | Type EVS | | | | |
| 2003 | 31 | 1.4 | 111.484 | 4547 | 9326 | 4547 | 9327 | 3031 | 28 | 3.79E-03 | GKS09 - 3A □□□ 090C22 MDFKA□□ 090-22 120 |
| 2261 | 28 | 1.3 | 125.641 | 4620 | 9326 | 4620 | 9327 | 3080 | 25 | 3.79E-03 | GKS09 - 3A □□□ 090C22 MDFKA□□ 090-22 120 |
| 412 | 138 | 3.7 | 12.283 | 585 | 9325 | 706 | 9326 | 1615 | 138 | 1.06E-02 | GKS09 - 3A □□□ 100C22 MDFKA□□ 100-22 60 |
| 448 | 127 | 3.7 | 13.360 | 636 | 9325 | 768 | 9326 | 1757 | 127 | 1.05E-02 | GKS09 - 3A □□□ 100C22 MDFKA□□ 100-22 60 |
| 544 | 105 | 3.1 | 16.122 | 767 | 9325 | 927 | 9326 | 1801 | 105 | 9.46E-03 | GKS09 - 3A □□□ 100C22 MDFKA□□ 100-22 60 |
| 591 | 97 | 3.1 | 17.536 | 835 | 9325 | 1008 | 9326 | 1958 | 97 | 9.42E-03 | GKS09 - 3A □□□ 100C22 MDFKA□□ 100-22 60 |
| 655 | 87 | 3.7 | 19.541 | 930 | 9325 | 1123 | 9326 | 2570 | 87 | 1.03E-02 | GKS09 - 3A □□□ 100C22 MDFKA□□ 100-22 60 |
| 740 | 77 | 3.4 | 22.022 | 1048 | 9325 | 1266 | 9326 | 2672 | 77 | 1.02E-02 | GKS09 - 3A □□□ 100C22 MDFKA□□ 100-22 60 |
| 865 | 66 | 3.1 | 25.649 | 1221 | 9325 | 1474 | 9326 | 2862 | 66 | 9.25E-03 | GKS09 - 3A □□□ 100C22 MDFKA□□ 100-22 60 |
| 989 | 58 | 2.8 | 29.228 | 1391 | 9325 | 1680 | 9326 | 2914 | 58 | 8.79E-03 | GKS09 - 3A □□□ 100C22 MDFKA□□ 100-22 60 |
| 1118 | 52 | 2.5 | 32.940 | 1568 | 9325 | 1893 | 9326 | 2984 | 52 | 8.76E-03 | GKS09 - 3A □□□ 100C22 MDFKA□□ 100-22 60 |
| 1196 | 48 | 2.4 | 35.193 | 1675 | 9325 | 2022 | 9326 | 3029 | 48 | 8.42E-03 | GKS09 - 3A □□□ 100C22 MDFKA□□ 100-22 60 |
| 1352 | 43 | 2.1 | 39.662 | 1887 | 9325 | 2279 | 9326 | 3002 | 43 | 8.40E-03 | GKS09 - 3A □□□ 100C22 MDFKA□□ 100-22 60 |
| 1472 | 39 | 2.0 | 43.146 | 2053 | 9325 | 2480 | 9326 | 3024 | 39 | 8.10E-03 | GKS09 - 3A □□□ 100C22 MDFKA□□ 100-22 60 |
| 1662 | 35 | 1.8 | 48.625 | 2314 | 9325 | 2794 | 9326 | 3017 | 35 | 8.09E-03 | GKS09 - 3A □□□ 100C22 MDFKA□□ 100-22 60 |
| 2005 | 29 | 1.5 | 58.456 | 2782 | 9325 | 3359 | 9326 | 3031 | 29 | 7.75E-03 | GKS09 - 3A □□□ 100C22 MDFKA□□ 100-22 60 |
| 2263 | 26 | 1.3 | 65.879 | 3135 | 9325 | 3786 | 9326 | 3048 | 26 | 7.75E-03 | GKS09 - 3A □□□ 100C22 MDFKA□□ 100-22 60 |
| 2441 | 24 | 1.2 | 70.982 | 3378 | 9325 | 4079 | 9326 | 3031 | 24 | 7.61E-03 | GKS09 - 3A □□□ 100C22 MDFKA□□ 100-22 60 |
| 2755 | 21 | 1.1 | 79.996 | 3807 | 9325 | 4597 | 9326 | 3071 | 21 | 7.61E-03 | GKS09 - 3A □□□ 100C22 MDFKA□□ 100-22 60 |
| 412 | 286 | 2.9 | 12.283 | 789 | 9327 | 747 | 9328 | 1615 | 146 | 1.06E-02 | GKS09 - 3A □□□ 100C22 MDFKA□□ 100-22 120 |
| 448 | 263 | 2.9 | 13.360 | 858 | 9327 | 812 | 9328 | 1757 | 134 | 1.05E-02 | GKS09 - 3A □□□ 100C22 MDFKA□□ 100-22 120 |
| 543 | 218 | 2.5 | 16.122 | 1035 | 9327 | 980 | 9328 | 1801 | 122 | 9.46E-03 | GKS09 - 3A □□□ 100C22 MDFKA□□ 100-22 120 |
| 590 | 200 | 2.5 | 17.536 | 1126 | 9327 | 1066 | 9328 | 1958 | 112 | 9.42E-03 | GKS09 - 3A □□□ 100C22 MDFKA□□ 100-22 120 |
| 655 | 180 | 2.9 | 19.541 | 1255 | 9327 | 1188 | 9328 | 2570 | 91 | 1.03E-02 | GKS09 - 3A □□□ 100C22 MDFKA□□ 100-22 120 |
| 740 | 159 | 2.7 | 22.022 | 1414 | 9327 | 1339 | 9328 | 2672 | 80 | 1.02E-02 | GKS09 - 3A □□□ 100C22 MDFKA□□ 100-22 120 |
| 864 | 137 | 2.5 | 25.649 | 1647 | 9327 | 1559 | 9328 | 2862 | 77 | 9.25E-03 | GKS09 - 3A □□□ 100C22 MDFKA□□ 100-22 120 |
| 987 | 120 | 2.2 | 29.228 | 1877 | 9327 | 1777 | 9328 | 2914 | 72 | 8.79E-03 | GKS09 - 3A □□□ 100C22 MDFKA□□ 100-22 120 |
| 1115 | 107 | 2.0 | 32.940 | 2115 | 9327 | 2002 | 9328 | 2984 | 62 | 8.76E-03 | GKS09 - 3A □□□ 100C22 MDFKA□□ 100-22 120 |
| 1192 | 100 | 1.9 | 35.193 | 2260 | 9327 | 2139 | 9328 | 3029 | 64 | 8.42E-03 | GKS09 - 3A □□□ 100C22 MDFKA□□ 100-22 120 |
| 1347 | 89 | 1.7 | 39.662 | 2547 | 9327 | 2411 | 9328 | 3002 | 53 | 8.40E-03 | GKS09 - 3A □□□ 100C22 MDFKA□□ 100-22 120 |
| 1464 | 81 | 1.8 | 43.146 | 2770 | 9327 | 2623 | 9328 | 3024 | 55 | 8.10E-03 | GKS09 - 3A □□□ 100C22 MDFKA□□ 100-22 120 |
| 1653 | 72 | 1.6 | 48.625 | 3122 | 9327 | 2956 | 9328 | 3017 | 46 | 8.09E-03 | GKS09 - 3A □□□ 100C22 MDFKA□□ 100-22 120 |
| 1993 | 60 | 1.3 | 58.456 | 3754 | 9327 | 3554 | 9328 | 3031 | 42 | 7.75E-03 | GKS09 - 3A □□□ 100C22 MDFKA□□ 100-22 120 |
| 2249 | 53 | 1.2 | 65.879 | 4230 | 9327 | 4005 | 9328 | 3048 | 36 | 7.75E-03 | GKS09 - 3A □□□ 100C22 MDFKA□□ 100-22 120 |

Observe the notes for thermal dimensioning.

Selection tables - Helical-bevel gearboxes

Forced ventilated asynchronous geared servo motors



| M ₂ [Nm] | n _{2 trans} [rpm] | c | i | M _{2 max} short-time on geared motor at | | | | M _{2 Gr} gearbox c=1 n ₁ ≤ 1400 rpm [Nm] | n _{2 therm} [rpm] | J _{GM} referred to motor shaft [kgm ²] | Helical-bevel geared servo motor Dimensions on Page 6-88 |
|------------------------|-------------------------------|------------|----------------|---|-------------|----------------------------|-------------|--|-------------------------------|---|---|
| | | | | 8 kHz | | 16 kHz | | | | | |
| | | | | M _{2 max} [Nm] | Type EVS | M _{2 max} [Nm] | Type EVS | | | | |
| 2425 | 49 | 1.1 | 70.982 | 4547 | 9327 | 4315 | 9328 | 3031 | 35 | 7.61E-03 | GKS09 - 3A □□□ 100C22 MDFKA□□ 100-22 120 |
| 708 | 139 | 2.2 | 12.283 | 1215 | 9326 | 1597 | 9328 | 1615 | 135 | 2.14E-02 | GKS09 - 3A □□□ 112C22 MDFKA□□ 112-22 60 |
| 770 | 128 | 2.2 | 13.360 | 1321 | 9326 | 1737 | 9328 | 1757 | 124 | 2.13E-02 | GKS09 - 3A □□□ 112C22 MDFKA□□ 112-22 60 |
| 932 | 106 | 1.8 | 16.122 | 1594 | 9326 | 2097 | 9328 | 1801 | 106 | 2.03E-02 | GKS09 - 3A □□□ 112C22 MDFKA□□ 112-22 60 |
| 1014 | 98 | 1.8 | 17.536 | 1734 | 9326 | 2280 | 9328 | 1958 | 98 | 2.02E-02 | GKS09 - 3A □□□ 112C22 MDFKA□□ 112-22 60 |
| 1126 | 88 | 2.2 | 19.541 | 1932 | 9326 | 2541 | 9328 | 2570 | 85 | 2.11E-02 | GKS09 - 3A □□□ 112C22 MDFKA□□ 112-22 60 |
| 1271 | 78 | 2.0 | 22.022 | 2178 | 9326 | 2864 | 9328 | 2672 | 74 | 2.10E-02 | GKS09 - 3A □□□ 112C22 MDFKA□□ 112-22 60 |
| 1483 | 67 | 1.8 | 25.649 | 2536 | 9326 | 3335 | 9328 | 2862 | 67 | 2.01E-02 | GKS09 - 3A □□□ 112C22 MDFKA□□ 112-22 60 |
| 1693 | 59 | 1.6 | 29.228 | 2890 | 9326 | 3801 | 9328 | 2914 | 59 | 1.96E-02 | GKS09 - 3A □□□ 112C22 MDFKA□□ 112-22 60 |
| 1911 | 52 | 1.5 | 32.940 | 3257 | 9326 | 4283 | 9328 | 2984 | 52 | 1.96E-02 | GKS09 - 3A □□□ 112C22 MDFKA□□ 112-22 60 |
| 2044 | 49 | 1.4 | 35.193 | 3480 | 9326 | 4544 | 9328 | 3029 | 49 | 1.92E-02 | GKS09 - 3A □□□ 112C22 MDFKA□□ 112-22 60 |
| 2307 | 43 | 1.2 | 39.662 | 3922 | 9326 | 4503 | 9328 | 3002 | 43 | 1.92E-02 | GKS09 - 3A □□□ 112C22 MDFKA□□ 112-22 60 |
| 2511 | 40 | 1.2 | 43.146 | 4266 | 9326 | 4536 | 9328 | 3024 | 40 | 1.89E-02 | GKS09 - 3A □□□ 112C22 MDFKA□□ 112-22 60 |
| 2834 | 35 | 1.1 | 48.625 | 4526 | 9326 | 4526 | 9328 | 3017 | 35 | 1.89E-02 | GKS09 - 3A □□□ 112C22 MDFKA□□ 112-22 60 |
| 636 | 287 | 1.9 | 12.283 | 1257 | 9328 | 1559 | 9330 | 1615 | 129 | 2.14E-02 | GKS09 - 3A □□□ 112C22 MDFKA□□ 112-22 120 |
| 691 | 263 | 1.9 | 13.360 | 1367 | 9328 | 1695 | 9330 | 1757 | 119 | 2.13E-02 | GKS09 - 3A □□□ 112C22 MDFKA□□ 112-22 120 |
| 837 | 218 | 1.6 | 16.122 | 1649 | 9328 | 2046 | 9330 | 1801 | 103 | 2.03E-02 | GKS09 - 3A □□□ 112C22 MDFKA□□ 112-22 120 |
| 910 | 201 | 1.6 | 17.536 | 1794 | 9328 | 2225 | 9330 | 1958 | 95 | 2.02E-02 | GKS09 - 3A □□□ 112C22 MDFKA□□ 112-22 120 |
| 1011 | 180 | 1.9 | 19.541 | 1999 | 9328 | 2480 | 9330 | 2570 | 81 | 2.11E-02 | GKS09 - 3A □□□ 112C22 MDFKA□□ 112-22 120 |
| 1141 | 160 | 1.7 | 22.022 | 2253 | 9328 | 2795 | 9330 | 2672 | 69 | 2.10E-02 | GKS09 - 3A □□□ 112C22 MDFKA□□ 112-22 120 |
| 1331 | 137 | 1.6 | 25.649 | 2624 | 9328 | 3255 | 9330 | 2862 | 65 | 2.01E-02 | GKS09 - 3A □□□ 112C22 MDFKA□□ 112-22 120 |
| 1520 | 120 | 1.4 | 29.228 | 2990 | 9328 | 3709 | 9330 | 2914 | 58 | 1.96E-02 | GKS09 - 3A □□□ 112C22 MDFKA□□ 112-22 120 |
| 1715 | 107 | 1.3 | 32.940 | 3370 | 9328 | 4180 | 9330 | 2984 | 49 | 1.96E-02 | GKS09 - 3A □□□ 112C22 MDFKA□□ 112-22 120 |
| 1834 | 100 | 1.2 | 35.193 | 3600 | 9328 | 4466 | 9330 | 3029 | 50 | 1.92E-02 | GKS09 - 3A □□□ 112C22 MDFKA□□ 112-22 120 |
| 2070 | 89 | 1.1 | 39.662 | 4057 | 9328 | 4503 | 9330 | 3002 | 42 | 1.92E-02 | GKS09 - 3A □□□ 112C22 MDFKA□□ 112-22 120 |
| 2251 | 82 | 1.1 | 43.146 | 4414 | 9328 | 4536 | 9330 | 3024 | 45 | 1.89E-02 | GKS09 - 3A □□□ 112C22 MDFKA□□ 112-22 120 |
| 2540 | 72 | 1.0 | 48.625 | 4526 | 9328 | 4526 | 9330 | 3017 | 38 | 1.89E-02 | GKS09 - 3A □□□ 112C22 MDFKA□□ 112-22 120 |
| 570 | 34 | 4.4 | 100.551 | 1221 | 9324 | 1784 | 9325 | 3029 | 34 | 1.08E-03 | GKS09 - 4A □□□ 071C22 MDFKA□□ 071-22 120 |
| 643 | 30 | 4.3 | 113.320 | 1376 | 9324 | 2010 | 9325 | 3002 | 30 | 1.08E-03 | GKS09 - 4A □□□ 071C22 MDFKA□□ 071-22 120 |
| 702 | 28 | 4.0 | 123.275 | 1496 | 9324 | 2187 | 9325 | 3024 | 28 | 1.04E-03 | GKS09 - 4A □□□ 071C22 MDFKA□□ 071-22 120 |
| 795 | 25 | 3.5 | 138.929 | 1686 | 9324 | 2465 | 9325 | 3017 | 25 | 1.04E-03 | GKS09 - 4A □□□ 071C22 MDFKA□□ 071-22 120 |
| 867 | 23 | 3.3 | 151.012 | 1833 | 9324 | 2679 | 9325 | 3024 | 23 | 9.82E-04 | GKS09 - 4A □□□ 071C22 MDFKA□□ 071-22 120 |
| 981 | 20 | 2.9 | 170.188 | 2066 | 9324 | 3019 | 9325 | 3017 | 20 | 9.81E-04 | GKS09 - 4A □□□ 071C22 MDFKA□□ 071-22 120 |
| 1185 | 17 | 2.4 | 204.596 | 2484 | 9324 | 3630 | 9325 | 3031 | 17 | 9.54E-04 | GKS09 - 4A □□□ 071C22 MDFKA□□ 071-22 120 |

Observe the notes for thermal dimensioning.

Selection tables - Helical-bevel gearboxes

Forced ventilated asynchronous geared servo motors

| M ₂ [Nm] | n ₂ trans [rpm] | c | i | M ₂ max short-time on geared motor at | | | | M ₂ Gr gearbox c=1 n ₁ ≤ 1400 rpm [Nm] | n ₂ therm [rpm] | J _{GM} referred to motor shaft [kgm ²] | Helical-bevel geared servo motor Dimensions on Page 6-88 |
|------------------------|-------------------------------|-----|---------|---|-------------|----------------------------|-------------|--|-------------------------------|---|---|
| | | | | 8 kHz | | 16 kHz | | | | | |
| | | | | M ₂ max [Nm] | Type EVS | M ₂ max [Nm] | Type EVS | | | | |
| 1340 | 15 | 2.2 | 230.577 | 2799 | 9324 | 4091 | 9325 | 3048 | 15 | 9.54E-04 | GKS09 - 4A □□□ 071C22 MDFKA□□ 071-22 120 |
| 1446 | 14 | 2.0 | 248.439 | 3016 | 9324 | 4407 | 9325 | 3031 | 14 | 9.43E-04 | GKS09 - 4A □□□ 071C22 MDFKA□□ 071-22 120 |
| 1633 | 12 | 1.8 | 279.986 | 3399 | 9324 | 4607 | 9325 | 3071 | 12 | 9.42E-04 | GKS09 - 4A □□□ 071C22 MDFKA□□ 071-22 120 |
| 1891 | 11 | 1.5 | 323.365 | 3925 | 9324 | 4547 | 9325 | 3031 | 11 | 9.01E-04 | GKS09 - 4A □□□ 071C22 MDFKA□□ 071-22 120 |
| 2135 | 9.4 | 1.4 | 364.427 | 4424 | 9324 | 4607 | 9325 | 3071 | 9.4 | 9.01E-04 | GKS09 - 4A □□□ 071C22 MDFKA□□ 071-22 120 |
| 2360 | 8.5 | 1.2 | 402.234 | 4547 | 9324 | 4547 | 9325 | 3031 | 8.5 | 8.81E-04 | GKS09 - 4A □□□ 071C22 MDFKA□□ 071-22 120 |
| 2664 | 7.5 | 1.1 | 453.311 | 4607 | 9324 | 4607 | 9325 | 3071 | 7.5 | 8.81E-04 | GKS09 - 4A □□□ 071C22 MDFKA□□ 071-22 120 |
| 1106 | 16 | 2.7 | 100.551 | 2779 | 9324 | 2019 | 9324 | 3029 | 16 | 2.17E-03 | GKS09 - 4A □□□ 080C22 MDFKA□□ 080-22 60 |
| 1251 | 14 | 2.4 | 113.320 | 3132 | 9324 | 2275 | 9324 | 3002 | 14 | 2.17E-03 | GKS09 - 4A □□□ 080C22 MDFKA□□ 080-22 60 |
| 1364 | 13 | 2.2 | 123.275 | 3407 | 9324 | 2475 | 9324 | 3024 | 13 | 2.13E-03 | GKS09 - 4A □□□ 080C22 MDFKA□□ 080-22 60 |
| 1541 | 12 | 1.9 | 138.929 | 3840 | 9324 | 2789 | 9324 | 3017 | 12 | 2.13E-03 | GKS09 - 4A □□□ 080C22 MDFKA□□ 080-22 60 |
| 1678 | 11 | 1.8 | 151.012 | 4174 | 9324 | 3032 | 9324 | 3024 | 11 | 2.07E-03 | GKS09 - 4A □□□ 080C22 MDFKA□□ 080-22 60 |
| 1895 | 9.6 | 1.6 | 170.188 | 4526 | 9324 | 3417 | 9324 | 3017 | 9.6 | 2.07E-03 | GKS09 - 4A □□□ 080C22 MDFKA□□ 080-22 60 |
| 2285 | 8.0 | 1.3 | 204.596 | 4547 | 9324 | 4107 | 9324 | 3031 | 8.0 | 2.04E-03 | GKS09 - 4A □□□ 080C22 MDFKA□□ 080-22 60 |
| 2579 | 7.1 | 1.2 | 230.577 | 4572 | 9324 | 4572 | 9324 | 3048 | 7.1 | 2.04E-03 | GKS09 - 4A □□□ 080C22 MDFKA□□ 080-22 60 |
| 2781 | 6.6 | 1.1 | 248.439 | 4547 | 9324 | 4547 | 9324 | 3031 | 6.6 | 2.03E-03 | GKS09 - 4A □□□ 080C22 MDFKA□□ 080-22 60 |
| 997 | 34 | 2.6 | 100.551 | 2751 | 9325 | 1990 | 9325 | 3029 | 34 | 2.17E-03 | GKS09 - 4A □□□ 080C22 MDFKA□□ 080-22 120 |
| 1124 | 30 | 2.5 | 113.320 | 3100 | 9325 | 2243 | 9325 | 3002 | 30 | 2.17E-03 | GKS09 - 4A □□□ 080C22 MDFKA□□ 080-22 120 |
| 1226 | 28 | 2.3 | 123.275 | 3373 | 9325 | 2440 | 9325 | 3024 | 28 | 2.13E-03 | GKS09 - 4A □□□ 080C22 MDFKA□□ 080-22 120 |
| 1385 | 25 | 2.1 | 138.929 | 3801 | 9325 | 2750 | 9325 | 3017 | 25 | 2.13E-03 | GKS09 - 4A □□□ 080C22 MDFKA□□ 080-22 120 |
| 1508 | 23 | 1.9 | 151.012 | 4131 | 9325 | 2989 | 9325 | 3024 | 23 | 2.07E-03 | GKS09 - 4A □□□ 080C22 MDFKA□□ 080-22 120 |
| 1704 | 20 | 1.7 | 170.188 | 4526 | 9325 | 3369 | 9325 | 3017 | 20 | 2.07E-03 | GKS09 - 4A □□□ 080C22 MDFKA□□ 080-22 120 |
| 2054 | 17 | 1.4 | 204.596 | 4547 | 9325 | 4050 | 9325 | 3031 | 17 | 2.04E-03 | GKS09 - 4A □□□ 080C22 MDFKA□□ 080-22 120 |
| 2319 | 15 | 1.3 | 230.577 | 4572 | 9325 | 4564 | 9325 | 3048 | 15 | 2.04E-03 | GKS09 - 4A □□□ 080C22 MDFKA□□ 080-22 120 |
| 2501 | 14 | 1.2 | 248.439 | 4547 | 9325 | 4547 | 9325 | 3031 | 14 | 2.03E-03 | GKS09 - 4A □□□ 080C22 MDFKA□□ 080-22 120 |
| 2822 | 12 | 1.0 | 279.986 | 4607 | 9325 | 4607 | 9325 | 3071 | 12 | 2.03E-03 | GKS09 - 4A □□□ 080C22 MDFKA□□ 080-22 120 |
| 2008 | 17 | 1.5 | 100.551 | 4544 | 9325 | 3943 | 9325 | 3029 | 17 | 3.85E-03 | GKS09 - 4A □□□ 090C22 MDFKA□□ 090-22 60 |
| 2267 | 15 | 1.3 | 113.320 | 4503 | 9325 | 4444 | 9325 | 3002 | 15 | 3.85E-03 | GKS09 - 4A □□□ 090C22 MDFKA□□ 090-22 60 |
| 2469 | 14 | 1.2 | 123.275 | 4536 | 9325 | 4536 | 9325 | 3024 | 14 | 3.81E-03 | GKS09 - 4A □□□ 090C22 MDFKA□□ 090-22 60 |
| 2787 | 12 | 1.1 | 138.929 | 4526 | 9325 | 4526 | 9325 | 3017 | 12 | 3.81E-03 | GKS09 - 4A □□□ 090C22 MDFKA□□ 090-22 60 |
| 1775 | 35 | 1.5 | 100.551 | 4544 | 9326 | 4187 | 9327 | 3029 | 31 | 3.85E-03 | GKS09 - 4A □□□ 090C22 MDFKA□□ 090-22 120 |
| 2001 | 31 | 1.4 | 113.320 | 4503 | 9326 | 4503 | 9327 | 3002 | 27 | 3.85E-03 | GKS09 - 4A □□□ 090C22 MDFKA□□ 090-22 120 |
| 2180 | 28 | 1.3 | 123.275 | 4536 | 9326 | 4536 | 9327 | 3024 | 25 | 3.81E-03 | GKS09 - 4A □□□ 090C22 MDFKA□□ 090-22 120 |
| 2460 | 25 | 1.2 | 138.929 | 4526 | 9326 | 4526 | 9327 | 3017 | 22 | 3.81E-03 | GKS09 - 4A □□□ 090C22 MDFKA□□ 090-22 120 |

Observe the notes for thermal dimensioning.

Selection tables - Helical-bevel gearboxes

Forced ventilated asynchronous geared servo motors



| M ₂ [Nm] | n _{2 trans} [rpm] | c | i | M _{2 max} short-time on geared motor at | | | | M _{2 Gr} gearbox c=1 n ₁ ≤1400 rpm [Nm] | n _{2 therm} [rpm] | J _{GM} referred to motor shaft [kgm ²] | Helical-bevel geared servo motor Dimensions on Page 6-88 |
|------------------------|-------------------------------|-----|---------|---|-------------|----------------------------|-------------|---|-------------------------------|---|---|
| | | | | 8 kHz | | 16 kHz | | | | | |
| | | | | M _{2 max} [Nm] | Type EVS | M _{2 max} [Nm] | Type EVS | | | | |
| 2677 | 23 | 1.1 | 151.012 | 4536 | 9326 | 4536 | 9327 | 3024 | 21 | 3.75E-03 | GKS09 - 4A □□□ 090C22 MDFKA□□ 090-22 120 |
| 1015 | 18 | 3.8 | 91.737 | 2579 | 9324 | 1873 | 9324 | 3979 | 18 | 2.75E-03 | GKS11 - 3A □□□ 080C22 MDFKA□□ 080-22 60 |
| 1143 | 16 | 3.8 | 103.365 | 2906 | 9324 | 2111 | 9324 | 4483 | 16 | 2.74E-03 | GKS11 - 3A □□□ 080C22 MDFKA□□ 080-22 60 |
| 1240 | 15 | 3.2 | 111.335 | 3130 | 9324 | 2274 | 9324 | 4042 | 15 | 2.53E-03 | GKS11 - 3A □□□ 080C22 MDFKA□□ 080-22 60 |
| 1397 | 13 | 3.2 | 125.448 | 3527 | 9324 | 2562 | 9324 | 4555 | 13 | 2.52E-03 | GKS11 - 3A □□□ 080C22 MDFKA□□ 080-22 60 |
| 1578 | 12 | 2.6 | 140.732 | 3957 | 9324 | 2874 | 9324 | 4107 | 12 | 2.32E-03 | GKS11 - 3A □□□ 080C22 MDFKA□□ 080-22 60 |
| 1778 | 10 | 2.6 | 158.571 | 4458 | 9324 | 3238 | 9324 | 4628 | 10 | 2.31E-03 | GKS11 - 3A □□□ 080C22 MDFKA□□ 080-22 60 |
| 2086 | 8.8 | 2.8 | 186.572 | 5246 | 9324 | 3810 | 9324 | 5975 | 8.8 | 2.63E-03 | GKS11 - 3A □□□ 080C22 MDFKA□□ 080-22 60 |
| 2359 | 7.8 | 2.5 | 210.222 | 5911 | 9324 | 4293 | 9324 | 5892 | 7.8 | 2.63E-03 | GKS11 - 3A □□□ 080C22 MDFKA□□ 080-22 60 |
| 2545 | 7.2 | 2.3 | 226.431 | 6366 | 9324 | 4624 | 9324 | 5975 | 7.2 | 2.44E-03 | GKS11 - 3A □□□ 080C22 MDFKA□□ 080-22 60 |
| 2877 | 6.4 | 2.0 | 255.133 | 7173 | 9324 | 5210 | 9324 | 5892 | 6.4 | 2.44E-03 | GKS11 - 3A □□□ 080C22 MDFKA□□ 080-22 60 |
| 3234 | 5.7 | 1.8 | 286.219 | 8047 | 9324 | 5845 | 9324 | 5975 | 5.7 | 2.26E-03 | GKS11 - 3A □□□ 080C22 MDFKA□□ 080-22 60 |
| 3653 | 5.1 | 1.6 | 322.500 | 8838 | 9324 | 6586 | 9324 | 5892 | 5.1 | 2.26E-03 | GKS11 - 3A □□□ 080C22 MDFKA□□ 080-22 60 |
| 915 | 38 | 3.6 | 91.737 | 2553 | 9325 | 1847 | 9325 | 3979 | 38 | 2.75E-03 | GKS11 - 3A □□□ 080C22 MDFKA□□ 080-22 120 |
| 1031 | 33 | 3.6 | 103.365 | 2877 | 9325 | 2082 | 9325 | 4483 | 33 | 2.74E-03 | GKS11 - 3A □□□ 080C22 MDFKA□□ 080-22 120 |
| 1114 | 31 | 3.4 | 111.335 | 3099 | 9325 | 2242 | 9325 | 4042 | 31 | 2.53E-03 | GKS11 - 3A □□□ 080C22 MDFKA□□ 080-22 120 |
| 1255 | 28 | 3.4 | 125.448 | 3491 | 9325 | 2526 | 9325 | 4555 | 28 | 2.52E-03 | GKS11 - 3A □□□ 080C22 MDFKA□□ 080-22 120 |
| 1418 | 25 | 2.7 | 140.732 | 3917 | 9325 | 2834 | 9325 | 4107 | 25 | 2.32E-03 | GKS11 - 3A □□□ 080C22 MDFKA□□ 080-22 120 |
| 1597 | 22 | 2.7 | 158.571 | 4413 | 9325 | 3193 | 9325 | 4628 | 22 | 2.31E-03 | GKS11 - 3A □□□ 080C22 MDFKA□□ 080-22 120 |
| 1874 | 19 | 3.0 | 186.572 | 5193 | 9325 | 3757 | 9325 | 5975 | 19 | 2.63E-03 | GKS11 - 3A □□□ 080C22 MDFKA□□ 080-22 120 |
| 2120 | 16 | 2.6 | 210.222 | 5851 | 9325 | 4233 | 9325 | 5892 | 16 | 2.63E-03 | GKS11 - 3A □□□ 080C22 MDFKA□□ 080-22 120 |
| 2287 | 15 | 2.5 | 226.431 | 6302 | 9325 | 4560 | 9325 | 5975 | 15 | 2.44E-03 | GKS11 - 3A □□□ 080C22 MDFKA□□ 080-22 120 |
| 2586 | 14 | 2.1 | 255.133 | 7101 | 9325 | 5138 | 9325 | 5892 | 14 | 2.44E-03 | GKS11 - 3A □□□ 080C22 MDFKA□□ 080-22 120 |
| 2907 | 12 | 1.9 | 286.219 | 7966 | 9325 | 5764 | 9325 | 5975 | 12 | 2.26E-03 | GKS11 - 3A □□□ 080C22 MDFKA□□ 080-22 120 |
| 3284 | 11 | 1.7 | 322.500 | 8838 | 9325 | 6494 | 9325 | 5892 | 11 | 2.26E-03 | GKS11 - 3A □□□ 080C22 MDFKA□□ 080-22 120 |
| 698 | 47 | 5.2 | 35.741 | 1942 | 9325 | 1426 | 9325 | 3935 | 47 | 7.28E-03 | GKS11 - 3A □□□ 090C22 MDFKA□□ 090-22 60 |
| 786 | 42 | 5.2 | 40.272 | 2188 | 9325 | 1607 | 9325 | 4434 | 42 | 7.22E-03 | GKS11 - 3A □□□ 090C22 MDFKA□□ 090-22 60 |
| 1144 | 29 | 3.7 | 57.683 | 3134 | 9325 | 2301 | 9325 | 4370 | 29 | 5.37E-03 | GKS11 - 3A □□□ 090C22 MDFKA□□ 090-22 60 |
| 1289 | 26 | 3.7 | 64.995 | 3531 | 9325 | 2593 | 9325 | 4924 | 26 | 5.35E-03 | GKS11 - 3A □□□ 090C22 MDFKA□□ 090-22 60 |
| 1416 | 24 | 3.1 | 70.887 | 3852 | 9325 | 2828 | 9325 | 4497 | 24 | 4.90E-03 | GKS11 - 3A □□□ 090C22 MDFKA□□ 090-22 60 |
| 1595 | 21 | 3.1 | 79.873 | 4340 | 9325 | 3187 | 9325 | 5068 | 21 | 4.89E-03 | GKS11 - 3A □□□ 090C22 MDFKA□□ 090-22 60 |
| 1844 | 18 | 2.5 | 91.737 | 4984 | 9325 | 3660 | 9325 | 4660 | 18 | 4.43E-03 | GKS11 - 3A □□□ 090C22 MDFKA□□ 090-22 60 |
| 2078 | 16 | 2.5 | 103.365 | 5616 | 9325 | 4124 | 9325 | 5250 | 16 | 4.42E-03 | GKS11 - 3A □□□ 090C22 MDFKA□□ 090-22 60 |
| 2248 | 15 | 2.1 | 111.335 | 6049 | 9325 | 4442 | 9325 | 4734 | 15 | 4.21E-03 | GKS11 - 3A □□□ 090C22 MDFKA□□ 090-22 60 |

Observe the notes for thermal dimensioning.

Selection tables - Helical-bevel gearboxes

Forced ventilated asynchronous geared servo motors

| M ₂ [Nm] | n _{2 trans} [rpm] | c | i | M _{2 max} short-time on geared motor at | | | | M _{2 Gr} gearbox c=1 n ₁ ≤ 1400 rpm [Nm] | n _{2 therm} [rpm] | J _{GM} referred to motor shaft [kgm ²] | Helical-bevel geared servo motor Dimensions on Page 6-88 |
|------------------------|-------------------------------|-----|---------|---|-------------|----------------------------|-------------|--|-------------------------------|---|---|
| | | | | 8 kHz | | 16 kHz | | | | | |
| | | | | M _{2 max} [Nm] | Type EVS | M _{2 max} [Nm] | Type EVS | | | | |
| 2533 | 13 | 2.1 | 125.448 | 6816 | 9325 | 5005 | 9325 | 5335 | 13 | 4.20E-03 | GKS11 - 3A □□□ 090C22 MDFKA□□ 090-22 60 |
| 2854 | 12 | 1.7 | 140.732 | 7216 | 9325 | 5614 | 9325 | 4811 | 12 | 4.00E-03 | GKS11 - 3A □□□ 090C22 MDFKA□□ 090-22 60 |
| 3215 | 11 | 1.7 | 158.571 | 8131 | 9325 | 6326 | 9325 | 5421 | 11 | 3.99E-03 | GKS11 - 3A □□□ 090C22 MDFKA□□ 090-22 60 |
| 3787 | 9.0 | 1.6 | 186.572 | 8963 | 9325 | 7443 | 9325 | 5975 | 9.0 | 4.31E-03 | GKS11 - 3A □□□ 090C22 MDFKA□□ 090-22 60 |
| 4276 | 8.0 | 1.4 | 210.222 | 8838 | 9325 | 8387 | 9325 | 5892 | 8.0 | 4.31E-03 | GKS11 - 3A □□□ 090C22 MDFKA□□ 090-22 60 |
| 4610 | 7.4 | 1.3 | 226.431 | 8963 | 9325 | 8963 | 9325 | 5975 | 7.4 | 4.12E-03 | GKS11 - 3A □□□ 090C22 MDFKA□□ 090-22 60 |
| 5203 | 6.6 | 1.1 | 255.133 | 8838 | 9325 | 8838 | 9325 | 5892 | 6.6 | 4.12E-03 | GKS11 - 3A □□□ 090C22 MDFKA□□ 090-22 60 |
| 5844 | 5.9 | 1.0 | 286.219 | 8963 | 9325 | 8963 | 9325 | 5975 | 5.9 | 3.94E-03 | GKS11 - 3A □□□ 090C22 MDFKA□□ 090-22 60 |
| 621 | 97 | 4.6 | 35.741 | 1721 | 9326 | 1514 | 9327 | 3935 | 63 | 7.28E-03 | GKS11 - 3A □□□ 090C22 MDFKA□□ 090-22 120 |
| 699 | 86 | 4.6 | 40.272 | 1939 | 9326 | 1706 | 9327 | 4434 | 56 | 7.22E-03 | GKS11 - 3A □□□ 090C22 MDFKA□□ 090-22 120 |
| 1012 | 60 | 3.6 | 57.683 | 2778 | 9326 | 2444 | 9327 | 4370 | 50 | 5.37E-03 | GKS11 - 3A □□□ 090C22 MDFKA□□ 090-22 120 |
| 1141 | 54 | 3.6 | 64.995 | 3130 | 9326 | 2753 | 9327 | 4924 | 45 | 5.35E-03 | GKS11 - 3A □□□ 090C22 MDFKA□□ 090-22 120 |
| 1252 | 49 | 3.0 | 70.887 | 3414 | 9326 | 3003 | 9327 | 4497 | 44 | 4.90E-03 | GKS11 - 3A □□□ 090C22 MDFKA□□ 090-22 120 |
| 1411 | 44 | 3.0 | 79.873 | 3847 | 9326 | 3384 | 9327 | 5068 | 39 | 4.89E-03 | GKS11 - 3A □□□ 090C22 MDFKA□□ 090-22 120 |
| 1631 | 38 | 2.4 | 91.737 | 4418 | 9326 | 3886 | 9327 | 4660 | 34 | 4.43E-03 | GKS11 - 3A □□□ 090C22 MDFKA□□ 090-22 120 |
| 1838 | 34 | 2.4 | 103.365 | 4978 | 9326 | 4379 | 9327 | 5250 | 30 | 4.42E-03 | GKS11 - 3A □□□ 090C22 MDFKA□□ 090-22 120 |
| 1983 | 31 | 2.2 | 111.335 | 5362 | 9326 | 4717 | 9327 | 4734 | 28 | 4.21E-03 | GKS11 - 3A □□□ 090C22 MDFKA□□ 090-22 120 |
| 2234 | 28 | 2.2 | 125.448 | 6041 | 9326 | 5314 | 9327 | 5335 | 25 | 4.20E-03 | GKS11 - 3A □□□ 090C22 MDFKA□□ 090-22 120 |
| 2518 | 25 | 1.8 | 140.732 | 6777 | 9326 | 5962 | 9327 | 4811 | 22 | 4.00E-03 | GKS11 - 3A □□□ 090C22 MDFKA□□ 090-22 120 |
| 2838 | 22 | 1.8 | 158.571 | 7637 | 9326 | 6718 | 9327 | 5421 | 20 | 3.99E-03 | GKS11 - 3A □□□ 090C22 MDFKA□□ 090-22 120 |
| 3343 | 19 | 1.7 | 186.572 | 8963 | 9326 | 7904 | 9327 | 5975 | 17 | 4.31E-03 | GKS11 - 3A □□□ 090C22 MDFKA□□ 090-22 120 |
| 3775 | 17 | 1.5 | 210.222 | 8838 | 9326 | 8838 | 9327 | 5892 | 15 | 4.31E-03 | GKS11 - 3A □□□ 090C22 MDFKA□□ 090-22 120 |
| 4070 | 15 | 1.4 | 226.431 | 8963 | 9326 | 8963 | 9327 | 5975 | 14 | 4.12E-03 | GKS11 - 3A □□□ 090C22 MDFKA□□ 090-22 120 |
| 4594 | 14 | 1.2 | 255.133 | 8838 | 9326 | 8838 | 9327 | 5892 | 12 | 4.12E-03 | GKS11 - 3A □□□ 090C22 MDFKA□□ 090-22 120 |
| 5160 | 12 | 1.1 | 286.219 | 8963 | 9326 | 8963 | 9327 | 5975 | 11 | 3.94E-03 | GKS11 - 3A □□□ 090C22 MDFKA□□ 090-22 120 |
| 924 | 61 | 5.1 | 28.021 | 1334 | 9325 | 1610 | 9326 | 5163 | 61 | 1.24E-02 | GKS11 - 3A □□□ 100C22 MDFKA□□ 100-22 60 |
| 1044 | 54 | 4.9 | 31.573 | 1503 | 9325 | 1814 | 9326 | 5521 | 54 | 1.23E-02 | GKS11 - 3A □□□ 100C22 MDFKA□□ 100-22 60 |
| 1188 | 48 | 4.4 | 35.741 | 1701 | 9325 | 2054 | 9326 | 5655 | 48 | 1.09E-02 | GKS11 - 3A □□□ 100C22 MDFKA□□ 100-22 60 |
| 1344 | 42 | 4.1 | 40.272 | 1917 | 9325 | 2314 | 9326 | 5869 | 42 | 1.08E-02 | GKS11 - 3A □□□ 100C22 MDFKA□□ 100-22 60 |
| 1464 | 39 | 3.8 | 43.783 | 2084 | 9325 | 2516 | 9326 | 5800 | 39 | 9.99E-03 | GKS11 - 3A □□□ 100C22 MDFKA□□ 100-22 60 |
| 1657 | 34 | 3.5 | 49.333 | 2348 | 9325 | 2835 | 9326 | 5923 | 34 | 9.95E-03 | GKS11 - 3A □□□ 100C22 MDFKA□□ 100-22 60 |
| 1947 | 29 | 3.0 | 57.683 | 2745 | 9325 | 3315 | 9326 | 5972 | 29 | 8.97E-03 | GKS11 - 3A □□□ 100C22 MDFKA□□ 100-22 60 |
| 2202 | 26 | 2.7 | 64.995 | 3093 | 9325 | 3735 | 9326 | 5992 | 26 | 8.95E-03 | GKS11 - 3A □□□ 100C22 MDFKA□□ 100-22 60 |
| 2407 | 24 | 2.4 | 70.887 | 3373 | 9325 | 4074 | 9326 | 5973 | 24 | 8.50E-03 | GKS11 - 3A □□□ 100C22 MDFKA□□ 100-22 60 |

Observe the notes for thermal dimensioning.

Selection tables - Helical-bevel gearboxes

Forced ventilated asynchronous geared servo motors



| M ₂ [Nm] | n _{2 trans} [rpm] | c | i | M _{2 max} short-time on geared motor at | | | | M _{2 Gr} gearbox c=1 n ₁ ≤ 1400 rpm [Nm] | n _{2 therm} [rpm] | J _{GM} referred to motor shaft [kgm ²] | Helical-bevel geared servo motor Dimensions on Page 6-88 |
|------------------------|-------------------------------|-----|---------|---|-------------|----------------------------|-------------|--|-------------------------------|---|---|
| | | | | 8 kHz | | 16 kHz | | | | | |
| | | | | M _{2 max} [Nm] | Type EVS | M _{2 max} [Nm] | Type EVS | | | | |
| 2720 | 21 | 2.2 | 79.873 | 3801 | 9325 | 4590 | 9326 | 6032 | 21 | 8.49E-03 | GKS11 - 3A □□□ 100C22 MDFKA□□ 100-22 60 |
| 3133 | 19 | 1.9 | 91.737 | 4366 | 9325 | 5272 | 9326 | 5975 | 19 | 8.03E-03 | GKS11 - 3A □□□ 100C22 MDFKA□□ 100-22 60 |
| 3538 | 16 | 1.7 | 103.365 | 4919 | 9325 | 5940 | 9326 | 6072 | 16 | 8.02E-03 | GKS11 - 3A □□□ 100C22 MDFKA□□ 100-22 60 |
| 3816 | 15 | 1.6 | 111.335 | 5298 | 9325 | 6398 | 9326 | 5975 | 15 | 7.81E-03 | GKS11 - 3A □□□ 100C22 MDFKA□□ 100-22 60 |
| 4307 | 14 | 1.4 | 125.448 | 5970 | 9325 | 7209 | 9326 | 6072 | 14 | 7.80E-03 | GKS11 - 3A □□□ 100C22 MDFKA□□ 100-22 60 |
| 927 | 125 | 4.1 | 28.021 | 1799 | 9327 | 1703 | 9328 | 5163 | 69 | 1.24E-02 | GKS11 - 3A □□□ 100C22 MDFKA□□ 100-22 120 |
| 1047 | 111 | 3.9 | 31.573 | 2027 | 9327 | 1919 | 9328 | 5521 | 61 | 1.23E-02 | GKS11 - 3A □□□ 100C22 MDFKA□□ 100-22 120 |
| 1190 | 98 | 3.5 | 35.741 | 2295 | 9327 | 2173 | 9328 | 5655 | 60 | 1.09E-02 | GKS11 - 3A □□□ 100C22 MDFKA□□ 100-22 120 |
| 1345 | 87 | 3.2 | 40.272 | 2586 | 9327 | 2448 | 9328 | 5869 | 52 | 1.08E-02 | GKS11 - 3A □□□ 100C22 MDFKA□□ 100-22 120 |
| 1461 | 80 | 3.3 | 43.783 | 2811 | 9327 | 2662 | 9328 | 5800 | 55 | 9.99E-03 | GKS11 - 3A □□□ 100C22 MDFKA□□ 100-22 120 |
| 1651 | 71 | 3.0 | 49.333 | 3168 | 9327 | 2999 | 9328 | 5923 | 48 | 9.95E-03 | GKS11 - 3A □□□ 100C22 MDFKA□□ 100-22 120 |
| 1939 | 61 | 2.6 | 57.683 | 3704 | 9327 | 3507 | 9328 | 5972 | 42 | 8.97E-03 | GKS11 - 3A □□□ 100C22 MDFKA□□ 100-22 120 |
| 2192 | 54 | 2.3 | 64.995 | 4173 | 9327 | 3951 | 9328 | 5992 | 38 | 8.95E-03 | GKS11 - 3A □□□ 100C22 MDFKA□□ 100-22 120 |
| 2396 | 50 | 2.1 | 70.887 | 4552 | 9327 | 4309 | 9328 | 5973 | 35 | 8.50E-03 | GKS11 - 3A □□□ 100C22 MDFKA□□ 100-22 120 |
| 2706 | 44 | 1.9 | 79.873 | 5129 | 9327 | 4856 | 9328 | 6032 | 31 | 8.49E-03 | GKS11 - 3A □□□ 100C22 MDFKA□□ 100-22 120 |
| 3116 | 38 | 1.6 | 91.737 | 5891 | 9327 | 5577 | 9328 | 5975 | 27 | 8.03E-03 | GKS11 - 3A □□□ 100C22 MDFKA□□ 100-22 120 |
| 3517 | 34 | 1.5 | 103.365 | 6637 | 9327 | 6284 | 9328 | 6072 | 24 | 8.02E-03 | GKS11 - 3A □□□ 100C22 MDFKA□□ 100-22 120 |
| 3787 | 32 | 1.5 | 111.335 | 7149 | 9327 | 6768 | 9328 | 5975 | 22 | 7.81E-03 | GKS11 - 3A □□□ 100C22 MDFKA□□ 100-22 120 |
| 4274 | 28 | 1.3 | 125.448 | 8055 | 9327 | 7626 | 9328 | 6072 | 20 | 7.80E-03 | GKS11 - 3A □□□ 100C22 MDFKA□□ 100-22 120 |
| 685 | 141 | 3.8 | 12.094 | 1196 | 9326 | 1573 | 9328 | 2770 | 131 | 2.84E-02 | GKS11 - 3A □□□ 112C22 MDFKA□□ 112-22 60 |
| 745 | 130 | 3.8 | 13.154 | 1301 | 9326 | 1711 | 9328 | 3013 | 121 | 2.81E-02 | GKS11 - 3A □□□ 112C22 MDFKA□□ 112-22 60 |
| 904 | 108 | 3.2 | 15.874 | 1570 | 9326 | 2064 | 9328 | 3090 | 108 | 2.48E-02 | GKS11 - 3A □□□ 112C22 MDFKA□□ 112-22 60 |
| 984 | 99 | 3.2 | 17.265 | 1707 | 9326 | 2245 | 9328 | 3360 | 99 | 2.47E-02 | GKS11 - 3A □□□ 112C22 MDFKA□□ 112-22 60 |
| 1105 | 88 | 3.8 | 19.515 | 1930 | 9326 | 2538 | 9328 | 4470 | 81 | 2.70E-02 | GKS11 - 3A □□□ 112C22 MDFKA□□ 112-22 60 |
| 1247 | 78 | 3.6 | 21.989 | 2174 | 9326 | 2859 | 9328 | 4884 | 72 | 2.70E-02 | GKS11 - 3A □□□ 112C22 MDFKA□□ 112-22 60 |
| 1459 | 67 | 3.2 | 25.615 | 2533 | 9326 | 3331 | 9328 | 4985 | 67 | 2.41E-02 | GKS11 - 3A □□□ 112C22 MDFKA□□ 112-22 60 |
| 1599 | 61 | 3.0 | 28.021 | 2771 | 9326 | 3644 | 9328 | 5163 | 61 | 2.32E-02 | GKS11 - 3A □□□ 112C22 MDFKA□□ 112-22 60 |
| 1805 | 54 | 2.9 | 31.573 | 3122 | 9326 | 4106 | 9328 | 5521 | 54 | 2.31E-02 | GKS11 - 3A □□□ 112C22 MDFKA□□ 112-22 60 |
| 2049 | 48 | 2.6 | 35.741 | 3534 | 9326 | 4648 | 9328 | 5655 | 48 | 2.17E-02 | GKS11 - 3A □□□ 112C22 MDFKA□□ 112-22 60 |
| 2314 | 42 | 2.4 | 40.272 | 3982 | 9326 | 5237 | 9328 | 5869 | 42 | 2.16E-02 | GKS11 - 3A □□□ 112C22 MDFKA□□ 112-22 60 |
| 2519 | 39 | 2.3 | 43.783 | 4329 | 9326 | 5693 | 9328 | 5800 | 39 | 2.08E-02 | GKS11 - 3A □□□ 112C22 MDFKA□□ 112-22 60 |
| 2845 | 35 | 2.1 | 49.333 | 4878 | 9326 | 6415 | 9328 | 5923 | 35 | 2.08E-02 | GKS11 - 3A □□□ 112C22 MDFKA□□ 112-22 60 |
| 3337 | 30 | 1.8 | 57.683 | 5704 | 9326 | 7501 | 9328 | 5972 | 30 | 1.98E-02 | GKS11 - 3A □□□ 112C22 MDFKA□□ 112-22 60 |
| 3767 | 26 | 1.6 | 64.995 | 6427 | 9326 | 8452 | 9328 | 5992 | 26 | 1.98E-02 | GKS11 - 3A □□□ 112C22 MDFKA□□ 112-22 60 |

Observe the notes for thermal dimensioning.

Selection tables - Helical-bevel gearboxes

Forced ventilated asynchronous geared servo motors

| M ₂ [Nm] | n ₂ trans [rpm] | c | i | M ₂ max short-time on geared motor at | | | | M ₂ Gr gearbox c=1 n ₁ ≤ 1400 rpm [Nm] | n ₂ therm [rpm] | J _{GM} referred to motor shaft [kgm ²] | Helical-bevel geared servo motor Dimensions on Page 6-88 |
|------------------------|-------------------------------|------------|----------------|---|-------------|----------------------------|-------------|--|-------------------------------|---|---|
| | | | | 8 kHz | | 16 kHz | | | | | |
| | | | | M ₂ max [Nm] | Type EVS | M ₂ max [Nm] | Type EVS | | | | |
| 4115 | 24 | 1.4 | 70.887 | 7009 | 9326 | 8960 | 9328 | 5973 | 24 | 1.93E-02 | GKS11 - 3A □□□ 112C22 MDFKA□□ 112-22 60 |
| 4644 | 21 | 1.3 | 79.873 | 7898 | 9326 | 9048 | 9328 | 6032 | 21 | 1.93E-02 | GKS11 - 3A □□□ 112C22 MDFKA□□ 112-22 60 |
| 617 | 291 | 3.3 | 12.094 | 1237 | 9328 | 1535 | 9330 | 2770 | 127 | 2.84E-02 | GKS11 - 3A □□□ 112C22 MDFKA□□ 112-22 120 |
| 671 | 268 | 3.3 | 13.154 | 1346 | 9328 | 1669 | 9330 | 3013 | 117 | 2.81E-02 | GKS11 - 3A □□□ 112C22 MDFKA□□ 112-22 120 |
| 814 | 222 | 2.8 | 15.874 | 1624 | 9328 | 2014 | 9330 | 3090 | 108 | 2.48E-02 | GKS11 - 3A □□□ 112C22 MDFKA□□ 112-22 120 |
| 885 | 204 | 2.8 | 17.265 | 1766 | 9328 | 2191 | 9330 | 3360 | 100 | 2.47E-02 | GKS11 - 3A □□□ 112C22 MDFKA□□ 112-22 120 |
| 995 | 180 | 3.3 | 19.515 | 1996 | 9328 | 2477 | 9330 | 4470 | 79 | 2.70E-02 | GKS11 - 3A □□□ 112C22 MDFKA□□ 112-22 120 |
| 1122 | 160 | 3.2 | 21.989 | 2249 | 9328 | 2790 | 9330 | 4884 | 69 | 2.70E-02 | GKS11 - 3A □□□ 112C22 MDFKA□□ 112-22 120 |
| 1313 | 137 | 2.8 | 25.615 | 2620 | 9328 | 3251 | 9330 | 4985 | 67 | 2.41E-02 | GKS11 - 3A □□□ 112C22 MDFKA□□ 112-22 120 |
| 1438 | 126 | 2.7 | 28.021 | 2867 | 9328 | 3556 | 9330 | 5163 | 63 | 2.32E-02 | GKS11 - 3A □□□ 112C22 MDFKA□□ 112-22 120 |
| 1623 | 111 | 2.5 | 31.573 | 3230 | 9328 | 4007 | 9330 | 5521 | 55 | 2.31E-02 | GKS11 - 3A □□□ 112C22 MDFKA□□ 112-22 120 |
| 1842 | 98 | 2.3 | 35.741 | 3656 | 9328 | 4536 | 9330 | 5655 | 54 | 2.17E-02 | GKS11 - 3A □□□ 112C22 MDFKA□□ 112-22 120 |
| 2080 | 87 | 2.1 | 40.272 | 4120 | 9328 | 5111 | 9330 | 5869 | 47 | 2.16E-02 | GKS11 - 3A □□□ 112C22 MDFKA□□ 112-22 120 |
| 2259 | 80 | 2.2 | 43.783 | 4479 | 9328 | 5556 | 9330 | 5800 | 46 | 2.08E-02 | GKS11 - 3A □□□ 112C22 MDFKA□□ 112-22 120 |
| 2551 | 71 | 2.0 | 49.333 | 5047 | 9328 | 6261 | 9330 | 5923 | 41 | 2.08E-02 | GKS11 - 3A □□□ 112C22 MDFKA□□ 112-22 120 |
| 2991 | 61 | 1.7 | 57.683 | 5901 | 9328 | 7320 | 9330 | 5972 | 35 | 1.98E-02 | GKS11 - 3A □□□ 112C22 MDFKA□□ 112-22 120 |
| 3377 | 54 | 1.5 | 64.995 | 6649 | 9328 | 8248 | 9330 | 5992 | 31 | 1.98E-02 | GKS11 - 3A □□□ 112C22 MDFKA□□ 112-22 120 |
| 3689 | 50 | 1.4 | 70.887 | 7252 | 9328 | 8960 | 9330 | 5973 | 28 | 1.93E-02 | GKS11 - 3A □□□ 112C22 MDFKA□□ 112-22 120 |
| 4162 | 44 | 1.2 | 79.873 | 8171 | 9328 | 9048 | 9330 | 6032 | 25 | 1.93E-02 | GKS11 - 3A □□□ 112C22 MDFKA□□ 112-22 120 |
| 570 | 33 | 5.8 | 102.119 | 1240 | 9324 | 1812 | 9325 | 4012 | 33 | 1.56E-03 | GKS11 - 4A □□□ 071C22 MDFKA□□ 071-22 120 |
| 1859 | 11 | 3.0 | 322.931 | 3920 | 9324 | 5729 | 9325 | 5973 | 11 | 1.04E-03 | GKS11 - 4A □□□ 071C22 MDFKA□□ 071-22 120 |
| 2101 | 9.4 | 2.7 | 363.866 | 4417 | 9324 | 6455 | 9325 | 6032 | 9.4 | 1.04E-03 | GKS11 - 4A □□□ 071C22 MDFKA□□ 071-22 120 |
| 2292 | 8.6 | 2.5 | 395.787 | 4804 | 9324 | 7022 | 9325 | 5973 | 8.6 | 9.82E-04 | GKS11 - 4A □□□ 071C22 MDFKA□□ 071-22 120 |
| 2589 | 7.7 | 2.2 | 445.958 | 5413 | 9324 | 7912 | 9325 | 6032 | 7.7 | 9.82E-04 | GKS11 - 4A □□□ 071C22 MDFKA□□ 071-22 120 |
| 2984 | 6.7 | 1.9 | 512.196 | 6217 | 9324 | 8963 | 9325 | 5975 | 6.7 | 9.69E-04 | GKS11 - 4A □□□ 071C22 MDFKA□□ 071-22 120 |
| 3369 | 5.9 | 1.7 | 577.122 | 7005 | 9324 | 9108 | 9325 | 6072 | 5.9 | 9.68E-04 | GKS11 - 4A □□□ 071C22 MDFKA□□ 071-22 120 |
| 3634 | 5.5 | 1.6 | 621.619 | 7545 | 9324 | 8963 | 9325 | 5975 | 5.5 | 9.61E-04 | GKS11 - 4A □□□ 071C22 MDFKA□□ 071-22 120 |
| 4102 | 4.9 | 1.4 | 700.416 | 8502 | 9324 | 9108 | 9325 | 6072 | 4.9 | 9.61E-04 | GKS11 - 4A □□□ 071C22 MDFKA□□ 071-22 120 |
| 4793 | 4.2 | 1.2 | 816.455 | 8963 | 9324 | 8963 | 9325 | 5975 | 4.2 | 9.12E-04 | GKS11 - 4A □□□ 071C22 MDFKA□□ 071-22 120 |
| 5407 | 3.7 | 1.1 | 919.949 | 9108 | 9324 | 9108 | 9325 | 6072 | 3.7 | 9.12E-04 | GKS11 - 4A □□□ 071C22 MDFKA□□ 071-22 120 |
| 1096 | 16 | 4.9 | 102.119 | 2822 | 9324 | 2050 | 9324 | 5655 | 16 | 2.65E-03 | GKS11 - 4A □□□ 080C22 MDFKA□□ 080-22 60 |
| 1240 | 14 | 4.6 | 115.063 | 3180 | 9324 | 2310 | 9324 | 5869 | 14 | 2.64E-03 | GKS11 - 4A □□□ 080C22 MDFKA□□ 080-22 60 |
| 1355 | 13 | 4.1 | 125.095 | 3457 | 9324 | 2511 | 9324 | 5800 | 13 | 2.54E-03 | GKS11 - 4A □□□ 080C22 MDFKA□□ 080-22 60 |
| 1533 | 12 | 3.8 | 140.952 | 3896 | 9324 | 2830 | 9324 | 5923 | 12 | 2.54E-03 | GKS11 - 4A □□□ 080C22 MDFKA□□ 080-22 60 |

Observe the notes for thermal dimensioning.

Selection tables - Helical-bevel gearboxes

Forced ventilated asynchronous geared servo motors



| M ₂ [Nm] | n ₂ trans [rpm] | c | i | M ₂ max short-time on geared motor at | | | | M ₂ Gr gearbox c=1 n ₁ ≤ 1400 rpm [Nm] | n ₂ therm [rpm] | J _{GM} referred to motor shaft [kgm ²] | Helical-bevel geared servo motor Dimensions on Page 6-88 |
|------------------------|-------------------------------|-----|---------|---|-------------|----------------------------|-------------|--|-------------------------------|---|---|
| | | | | 8 kHz | | 16 kHz | | | | | |
| | | | | M ₂ max [Nm] | Type EVS | M ₂ max [Nm] | Type EVS | | | | |
| 1673 | 11 | 3.4 | 153.242 | 4235 | 9324 | 3076 | 9324 | 5800 | 11 | 2.37E-03 | GKS11 - 4A □□□ 080C22 MDFKA□□ 080-22 60 |
| 1892 | 9.5 | 3.1 | 172.667 | 4772 | 9324 | 3466 | 9324 | 5923 | 9.5 | 2.37E-03 | GKS11 - 4A □□□ 080C22 MDFKA□□ 080-22 60 |
| 2222 | 8.1 | 2.6 | 201.890 | 5580 | 9324 | 4053 | 9324 | 5972 | 8.1 | 2.29E-03 | GKS11 - 4A □□□ 080C22 MDFKA□□ 080-22 60 |
| 2512 | 7.2 | 2.4 | 227.481 | 6287 | 9324 | 4567 | 9324 | 5992 | 7.2 | 2.29E-03 | GKS11 - 4A □□□ 080C22 MDFKA□□ 080-22 60 |
| 2746 | 6.6 | 2.1 | 248.106 | 6857 | 9324 | 4981 | 9324 | 5973 | 6.6 | 2.26E-03 | GKS11 - 4A □□□ 080C22 MDFKA□□ 080-22 60 |
| 3101 | 5.9 | 1.9 | 279.556 | 7726 | 9324 | 5612 | 9324 | 6032 | 5.9 | 2.25E-03 | GKS11 - 4A □□□ 080C22 MDFKA□□ 080-22 60 |
| 3593 | 5.1 | 1.7 | 322.931 | 8925 | 9324 | 6483 | 9324 | 5973 | 5.1 | 2.13E-03 | GKS11 - 4A □□□ 080C22 MDFKA□□ 080-22 60 |
| 4056 | 4.5 | 1.5 | 363.866 | 9048 | 9324 | 7305 | 9324 | 6032 | 4.5 | 2.13E-03 | GKS11 - 4A □□□ 080C22 MDFKA□□ 080-22 60 |
| 4418 | 4.1 | 1.3 | 395.787 | 8960 | 9324 | 7945 | 9324 | 5973 | 4.1 | 2.07E-03 | GKS11 - 4A □□□ 080C22 MDFKA□□ 080-22 60 |
| 4986 | 3.7 | 1.2 | 445.958 | 9048 | 9324 | 8953 | 9324 | 6032 | 3.7 | 2.07E-03 | GKS11 - 4A □□□ 080C22 MDFKA□□ 080-22 60 |
| 5736 | 3.2 | 1.0 | 512.196 | 8963 | 9324 | 8963 | 9324 | 5975 | 3.2 | 2.06E-03 | GKS11 - 4A □□□ 080C22 MDFKA□□ 080-22 60 |
| 989 | 34 | 4.7 | 102.119 | 2794 | 9325 | 2021 | 9325 | 5655 | 34 | 2.65E-03 | GKS11 - 4A □□□ 080C22 MDFKA□□ 080-22 120 |
| 1113 | 30 | 4.8 | 115.063 | 3148 | 9325 | 2278 | 9325 | 5869 | 30 | 2.64E-03 | GKS11 - 4A □□□ 080C22 MDFKA□□ 080-22 120 |
| 1216 | 28 | 4.4 | 125.095 | 3422 | 9325 | 2476 | 9325 | 5800 | 28 | 2.54E-03 | GKS11 - 4A □□□ 080C22 MDFKA□□ 080-22 120 |
| 1376 | 25 | 4.0 | 140.952 | 3856 | 9325 | 2790 | 9325 | 5923 | 25 | 2.54E-03 | GKS11 - 4A □□□ 080C22 MDFKA□□ 080-22 120 |
| 1503 | 23 | 3.6 | 153.242 | 4192 | 9325 | 3033 | 9325 | 5800 | 23 | 2.37E-03 | GKS11 - 4A □□□ 080C22 MDFKA□□ 080-22 120 |
| 1699 | 20 | 3.2 | 172.667 | 4724 | 9325 | 3418 | 9325 | 5923 | 20 | 2.37E-03 | GKS11 - 4A □□□ 080C22 MDFKA□□ 080-22 120 |
| 1997 | 17 | 2.8 | 201.890 | 5523 | 9325 | 3996 | 9325 | 5972 | 17 | 2.29E-03 | GKS11 - 4A □□□ 080C22 MDFKA□□ 080-22 120 |
| 2257 | 15 | 2.5 | 227.481 | 6223 | 9325 | 4503 | 9325 | 5992 | 15 | 2.29E-03 | GKS11 - 4A □□□ 080C22 MDFKA□□ 080-22 120 |
| 2468 | 14 | 2.3 | 248.106 | 6788 | 9325 | 4911 | 9325 | 5973 | 14 | 2.26E-03 | GKS11 - 4A □□□ 080C22 MDFKA□□ 080-22 120 |
| 2788 | 12 | 2.0 | 279.556 | 7648 | 9325 | 5534 | 9325 | 6032 | 12 | 2.25E-03 | GKS11 - 4A □□□ 080C22 MDFKA□□ 080-22 120 |
| 3230 | 11 | 1.8 | 322.931 | 8835 | 9325 | 6392 | 9325 | 5973 | 11 | 2.13E-03 | GKS11 - 4A □□□ 080C22 MDFKA□□ 080-22 120 |
| 3647 | 9.5 | 1.6 | 363.866 | 9048 | 9325 | 7203 | 9325 | 6032 | 9.5 | 2.13E-03 | GKS11 - 4A □□□ 080C22 MDFKA□□ 080-22 120 |
| 3973 | 8.7 | 1.4 | 395.787 | 8960 | 9325 | 7835 | 9325 | 5973 | 8.7 | 2.07E-03 | GKS11 - 4A □□□ 080C22 MDFKA□□ 080-22 120 |
| 4484 | 7.8 | 1.3 | 445.958 | 9048 | 9325 | 8828 | 9325 | 6032 | 7.8 | 2.07E-03 | GKS11 - 4A □□□ 080C22 MDFKA□□ 080-22 120 |
| 5159 | 6.8 | 1.1 | 512.196 | 8963 | 9325 | 8963 | 9325 | 5975 | 6.8 | 2.06E-03 | GKS11 - 4A □□□ 080C22 MDFKA□□ 080-22 120 |
| 2011 | 16 | 2.8 | 102.119 | 5454 | 9325 | 4005 | 9325 | 5655 | 16 | 4.33E-03 | GKS11 - 4A □□□ 090C22 MDFKA□□ 090-22 60 |
| 2272 | 15 | 2.5 | 115.063 | 6145 | 9325 | 4512 | 9325 | 5869 | 15 | 4.32E-03 | GKS11 - 4A □□□ 090C22 MDFKA□□ 090-22 60 |
| 2476 | 13 | 2.3 | 125.095 | 6681 | 9325 | 4906 | 9325 | 5800 | 13 | 4.22E-03 | GKS11 - 4A □□□ 090C22 MDFKA□□ 090-22 60 |
| 2796 | 12 | 2.1 | 140.952 | 7528 | 9325 | 5528 | 9325 | 5923 | 12 | 4.22E-03 | GKS11 - 4A □□□ 090C22 MDFKA□□ 090-22 60 |
| 3047 | 11 | 1.9 | 153.242 | 8184 | 9325 | 6010 | 9325 | 5800 | 11 | 4.05E-03 | GKS11 - 4A □□□ 090C22 MDFKA□□ 090-22 60 |
| 3440 | 9.7 | 1.7 | 172.667 | 8885 | 9325 | 6771 | 9325 | 5923 | 9.7 | 4.05E-03 | GKS11 - 4A □□□ 090C22 MDFKA□□ 090-22 60 |
| 4032 | 8.3 | 1.5 | 201.890 | 8958 | 9325 | 7917 | 9325 | 5972 | 8.3 | 3.97E-03 | GKS11 - 4A □□□ 090C22 MDFKA□□ 090-22 60 |
| 4551 | 7.4 | 1.3 | 227.481 | 8988 | 9325 | 8921 | 9325 | 5992 | 7.4 | 3.97E-03 | GKS11 - 4A □□□ 090C22 MDFKA□□ 090-22 60 |

Observe the notes for thermal dimensioning.

Selection tables - Helical-bevel gearboxes

Forced ventilated asynchronous geared servo motors

| M ₂ [Nm] | n ₂ trans [rpm] | c | i | M ₂ max short-time on geared motor at | | | | M ₂ Gr gearbox c=1 n ₁ ≤ 1400 rpm [Nm] | n ₂ therm [rpm] | J _{GM} referred to motor shaft [kgm ²] | Helical-bevel geared servo motor Dimensions on Page 6-88 |
|------------------------|-------------------------------|-----|---------|---|-------------|----------------------------|-------------|--|-------------------------------|---|---|
| | | | | 8 kHz | | 16 kHz | | | | | |
| | | | | M ₂ max [Nm] | Type EVS | M ₂ max [Nm] | Type EVS | | | | |
| 4970 | 6.8 | 1.2 | 248.106 | 8960 | 9325 | 8960 | 9325 | 5973 | 6.8 | 3.94E-03 | GKS11 - 4A □□□ 090C22 MDFKA□□ 090-22 60 |
| 5608 | 6.0 | 1.1 | 279.556 | 9048 | 9325 | 9048 | 9325 | 6032 | 6.0 | 3.93E-03 | GKS11 - 4A □□□ 090C22 MDFKA□□ 090-22 60 |
| 1779 | 34 | 2.7 | 102.119 | 4834 | 9326 | 4253 | 9327 | 5655 | 30 | 4.33E-03 | GKS11 - 4A □□□ 090C22 MDFKA□□ 090-22 120 |
| 2003 | 30 | 2.7 | 115.063 | 5447 | 9326 | 4792 | 9327 | 5869 | 27 | 4.32E-03 | GKS11 - 4A □□□ 090C22 MDFKA□□ 090-22 120 |
| 2184 | 28 | 2.5 | 125.095 | 5922 | 9326 | 5209 | 9327 | 5800 | 25 | 4.22E-03 | GKS11 - 4A □□□ 090C22 MDFKA□□ 090-22 120 |
| 2467 | 25 | 2.3 | 140.952 | 6673 | 9326 | 5870 | 9327 | 5923 | 22 | 4.22E-03 | GKS11 - 4A □□□ 090C22 MDFKA□□ 090-22 120 |
| 2689 | 23 | 2.0 | 153.242 | 7254 | 9326 | 6382 | 9327 | 5800 | 20 | 4.05E-03 | GKS11 - 4A □□□ 090C22 MDFKA□□ 090-22 120 |
| 3036 | 20 | 1.8 | 172.667 | 8174 | 9326 | 7191 | 9327 | 5923 | 18 | 4.05E-03 | GKS11 - 4A □□□ 090C22 MDFKA□□ 090-22 120 |
| 3559 | 17 | 1.6 | 201.890 | 8958 | 9326 | 8407 | 9327 | 5972 | 15 | 3.97E-03 | GKS11 - 4A □□□ 090C22 MDFKA□□ 090-22 120 |
| 4018 | 15 | 1.4 | 227.481 | 8988 | 9326 | 8988 | 9327 | 5992 | 14 | 3.97E-03 | GKS11 - 4A □□□ 090C22 MDFKA□□ 090-22 120 |
| 4388 | 14 | 1.3 | 248.106 | 8960 | 9326 | 8960 | 9327 | 5973 | 13 | 3.94E-03 | GKS11 - 4A □□□ 090C22 MDFKA□□ 090-22 120 |
| 4951 | 12 | 1.2 | 279.556 | 9048 | 9326 | 9048 | 9327 | 6032 | 11 | 3.93E-03 | GKS11 - 4A □□□ 090C22 MDFKA□□ 090-22 120 |
| 3438 | 17 | 1.6 | 102.119 | 4777 | 9325 | 5769 | 9326 | 5655 | 17 | 7.93E-03 | GKS11 - 4A □□□ 100C22 MDFKA□□ 100-22 60 |
| 3879 | 15 | 1.5 | 115.063 | 5383 | 9325 | 6500 | 9326 | 5869 | 15 | 7.92E-03 | GKS11 - 4A □□□ 100C22 MDFKA□□ 100-22 60 |
| 4223 | 14 | 1.4 | 125.095 | 5852 | 9325 | 7067 | 9326 | 5800 | 14 | 7.82E-03 | GKS11 - 4A □□□ 100C22 MDFKA□□ 100-22 60 |
| 4765 | 12 | 1.2 | 140.952 | 6594 | 9325 | 7962 | 9326 | 5923 | 12 | 7.82E-03 | GKS11 - 4A □□□ 100C22 MDFKA□□ 100-22 60 |
| 5187 | 11 | 1.1 | 153.242 | 7169 | 9325 | 8657 | 9326 | 5800 | 11 | 7.65E-03 | GKS11 - 4A □□□ 100C22 MDFKA□□ 100-22 60 |
| 5852 | 9.9 | 1.0 | 172.667 | 8077 | 9325 | 8885 | 9326 | 5923 | 9.9 | 7.65E-03 | GKS11 - 4A □□□ 100C22 MDFKA□□ 100-22 60 |
| 3418 | 34 | 1.4 | 102.119 | 6446 | 9327 | 6102 | 9328 | 5655 | 24 | 7.93E-03 | GKS11 - 4A □□□ 100C22 MDFKA□□ 100-22 120 |
| 3849 | 31 | 1.4 | 115.063 | 7263 | 9327 | 6876 | 9328 | 5869 | 21 | 7.92E-03 | GKS11 - 4A □□□ 100C22 MDFKA□□ 100-22 120 |
| 4191 | 28 | 1.3 | 125.095 | 7896 | 9327 | 7475 | 9328 | 5800 | 20 | 7.82E-03 | GKS11 - 4A □□□ 100C22 MDFKA□□ 100-22 120 |
| 4728 | 25 | 1.2 | 140.952 | 8885 | 9327 | 8423 | 9328 | 5923 | 17 | 7.82E-03 | GKS11 - 4A □□□ 100C22 MDFKA□□ 100-22 120 |
| 5147 | 23 | 1.1 | 153.242 | 8700 | 9327 | 8700 | 9328 | 5800 | 16 | 7.65E-03 | GKS11 - 4A □□□ 100C22 MDFKA□□ 100-22 120 |
| 1845 | 30 | 5.6 | 56.251 | 2677 | 9325 | 3233 | 9326 | 10874 | 30 | 1.26E-02 | GKS14 - 3A □□□ 100C22 MDFKA□□ 100-22 60 |
| 2088 | 27 | 5.3 | 63.382 | 3016 | 9325 | 3642 | 9326 | 11477 | 27 | 1.26E-02 | GKS14 - 3A □□□ 100C22 MDFKA□□ 100-22 60 |
| 2282 | 25 | 4.8 | 68.942 | 3281 | 9325 | 3962 | 9326 | 11454 | 25 | 1.11E-02 | GKS14 - 3A □□□ 100C22 MDFKA□□ 100-22 60 |
| 2585 | 22 | 4.3 | 77.681 | 3697 | 9325 | 4464 | 9326 | 11520 | 22 | 1.10E-02 | GKS14 - 3A □□□ 100C22 MDFKA□□ 100-22 60 |
| 3034 | 19 | 3.7 | 90.551 | 4309 | 9325 | 5204 | 9326 | 11488 | 19 | 9.71E-03 | GKS14 - 3A □□□ 100C22 MDFKA□□ 100-22 60 |
| 3432 | 17 | 3.3 | 102.029 | 4855 | 9325 | 5863 | 9326 | 11639 | 17 | 9.69E-03 | GKS14 - 3A □□□ 100C22 MDFKA□□ 100-22 60 |
| 3705 | 15 | 3.1 | 109.896 | 5230 | 9325 | 6315 | 9326 | 11784 | 15 | 9.03E-03 | GKS14 - 3A □□□ 100C22 MDFKA□□ 100-22 60 |
| 4192 | 14 | 2.7 | 123.826 | 5893 | 9325 | 7116 | 9326 | 11639 | 14 | 9.01E-03 | GKS14 - 3A □□□ 100C22 MDFKA□□ 100-22 60 |
| 4716 | 12 | 2.5 | 138.913 | 6611 | 9325 | 7983 | 9326 | 11784 | 12 | 8.40E-03 | GKS14 - 3A □□□ 100C22 MDFKA□□ 100-22 60 |
| 5331 | 11 | 2.2 | 156.522 | 7449 | 9325 | 8995 | 9326 | 11639 | 11 | 8.39E-03 | GKS14 - 3A □□□ 100C22 MDFKA□□ 100-22 60 |
| 6379 | 9.1 | 1.8 | 186.572 | 8879 | 9325 | 10722 | 9326 | 11609 | 9.1 | 9.36E-03 | GKS14 - 3A □□□ 100C22 MDFKA□□ 100-22 60 |

Observe the notes for thermal dimensioning.

Selection tables - Helical-bevel gearboxes

Forced ventilated asynchronous geared servo motors



| M ₂ [Nm] | n _{2 trans} [rpm] | c | i | M _{2 max} short-time on geared motor at | | | | M _{2 Gr} gearbox c=1 n ₁ ≤ 1400 rpm [Nm] | n _{2 therm} [rpm] | J _{GM} referred to motor shaft [kgm ²] | Helical-bevel geared servo motor Dimensions on Page 6-88 |
|------------------------|-------------------------------|-----|---------|---|-------------|----------------------------|-------------|--|-------------------------------|---|---|
| | | | | 8 kHz | | 16 kHz | | | | | |
| | | | | M _{2 max} [Nm] | Type EVS | M _{2 max} [Nm] | Type EVS | | | | |
| 7203 | 8.1 | 1.6 | 210.222 | 10004 | 9325 | 12081 | 9326 | 11555 | 8.1 | 9.35E-03 | GKS14 - 3A □□□ 100C22 MDFKA□□ 100-22 60 |
| 7767 | 7.5 | 1.5 | 226.431 | 10775 | 9325 | 13012 | 9326 | 11609 | 7.5 | 8.79E-03 | GKS14 - 3A □□□ 100C22 MDFKA□□ 100-22 60 |
| 8768 | 6.7 | 1.3 | 255.133 | 12141 | 9325 | 14662 | 9326 | 11555 | 6.7 | 8.78E-03 | GKS14 - 3A □□□ 100C22 MDFKA□□ 100-22 60 |
| 9850 | 5.9 | 1.2 | 286.219 | 13621 | 9325 | 16448 | 9326 | 11609 | 5.9 | 8.25E-03 | GKS14 - 3A □□□ 100C22 MDFKA□□ 100-22 60 |
| 11115 | 5.3 | 1.0 | 322.500 | 15347 | 9325 | 17332 | 9326 | 11555 | 5.3 | 8.25E-03 | GKS14 - 3A □□□ 100C22 MDFKA□□ 100-22 60 |
| 1846 | 62 | 4.8 | 56.251 | 3612 | 9327 | 3420 | 9328 | 10874 | 44 | 1.26E-02 | GKS14 - 3A □□□ 100C22 MDFKA□□ 100-22 120 |
| 2087 | 55 | 4.5 | 63.382 | 4070 | 9327 | 3853 | 9328 | 11477 | 39 | 1.26E-02 | GKS14 - 3A □□□ 100C22 MDFKA□□ 100-22 120 |
| 2279 | 51 | 4.2 | 68.942 | 4427 | 9327 | 4191 | 9328 | 11454 | 36 | 1.11E-02 | GKS14 - 3A □□□ 100C22 MDFKA□□ 100-22 120 |
| 2580 | 45 | 3.7 | 77.681 | 4988 | 9327 | 4722 | 9328 | 11520 | 32 | 1.10E-02 | GKS14 - 3A □□□ 100C22 MDFKA□□ 100-22 120 |
| 3025 | 39 | 3.2 | 90.551 | 5814 | 9327 | 5505 | 9328 | 11488 | 27 | 9.71E-03 | GKS14 - 3A □□□ 100C22 MDFKA□□ 100-22 120 |
| 3421 | 34 | 2.9 | 102.029 | 6551 | 9327 | 6203 | 9328 | 11639 | 24 | 9.69E-03 | GKS14 - 3A □□□ 100C22 MDFKA□□ 100-22 120 |
| 3691 | 32 | 2.7 | 109.896 | 7057 | 9327 | 6681 | 9328 | 11784 | 22 | 9.03E-03 | GKS14 - 3A □□□ 100C22 MDFKA□□ 100-22 120 |
| 4163 | 28 | 2.6 | 123.826 | 7951 | 9327 | 7528 | 9328 | 11639 | 20 | 9.01E-03 | GKS14 - 3A □□□ 100C22 MDFKA□□ 100-22 120 |
| 4682 | 25 | 2.4 | 138.913 | 8920 | 9327 | 8445 | 9328 | 11784 | 18 | 8.40E-03 | GKS14 - 3A □□□ 100C22 MDFKA□□ 100-22 120 |
| 5292 | 22 | 2.1 | 156.522 | 10050 | 9327 | 9515 | 9328 | 11639 | 16 | 8.39E-03 | GKS14 - 3A □□□ 100C22 MDFKA□□ 100-22 120 |
| 6331 | 19 | 1.7 | 186.572 | 11980 | 9327 | 11342 | 9328 | 11609 | 13 | 9.36E-03 | GKS14 - 3A □□□ 100C22 MDFKA□□ 100-22 120 |
| 7149 | 17 | 1.5 | 210.222 | 13499 | 9327 | 12780 | 9328 | 11555 | 12 | 9.35E-03 | GKS14 - 3A □□□ 100C22 MDFKA□□ 100-22 120 |
| 7708 | 16 | 1.4 | 226.431 | 14539 | 9327 | 13765 | 9328 | 11609 | 11 | 8.79E-03 | GKS14 - 3A □□□ 100C22 MDFKA□□ 100-22 120 |
| 8701 | 14 | 1.3 | 255.133 | 16382 | 9327 | 15510 | 9328 | 11555 | 9.6 | 8.78E-03 | GKS14 - 3A □□□ 100C22 MDFKA□□ 100-22 120 |
| 9774 | 12 | 1.1 | 286.219 | 17414 | 9327 | 17400 | 9328 | 11609 | 8.6 | 8.25E-03 | GKS14 - 3A □□□ 100C22 MDFKA□□ 100-22 120 |
| 921 | 103 | 5.8 | 16.646 | 1646 | 9326 | 2165 | 9328 | 5932 | 102 | 3.78E-02 | GKS14 - 3A □□□ 112C22 MDFKA□□ 112-22 60 |
| 1017 | 93 | 5.5 | 18.311 | 1811 | 9326 | 2381 | 9328 | 6158 | 93 | 3.53E-02 | GKS14 - 3A □□□ 112C22 MDFKA□□ 112-22 60 |
| 1367 | 69 | 5.8 | 24.696 | 2442 | 9326 | 3211 | 9328 | 8801 | 69 | 3.63E-02 | GKS14 - 3A □□□ 112C22 MDFKA□□ 112-22 60 |
| 1509 | 63 | 5.5 | 27.165 | 2686 | 9326 | 3533 | 9328 | 9135 | 63 | 3.39E-02 | GKS14 - 3A □□□ 112C22 MDFKA□□ 112-22 60 |
| 1702 | 56 | 5.4 | 30.609 | 3027 | 9326 | 3980 | 9328 | 10132 | 56 | 3.36E-02 | GKS14 - 3A □□□ 112C22 MDFKA□□ 112-22 60 |
| 1944 | 49 | 4.7 | 34.692 | 3430 | 9326 | 4511 | 9328 | 10019 | 49 | 2.91E-02 | GKS14 - 3A □□□ 112C22 MDFKA□□ 112-22 60 |
| 2194 | 44 | 4.6 | 39.089 | 3865 | 9326 | 5083 | 9328 | 10937 | 44 | 2.89E-02 | GKS14 - 3A □□□ 112C22 MDFKA□□ 112-22 60 |
| 2393 | 40 | 4.3 | 42.531 | 4206 | 9326 | 5531 | 9328 | 10787 | 40 | 2.62E-02 | GKS14 - 3A □□□ 112C22 MDFKA□□ 112-22 60 |
| 2706 | 36 | 4.0 | 47.923 | 4739 | 9326 | 6232 | 9328 | 11261 | 36 | 2.61E-02 | GKS14 - 3A □□□ 112C22 MDFKA□□ 112-22 60 |
| 3194 | 30 | 3.5 | 56.251 | 5562 | 9326 | 7315 | 9328 | 11522 | 30 | 2.34E-02 | GKS14 - 3A □□□ 112C22 MDFKA□□ 112-22 60 |
| 3615 | 27 | 3.1 | 63.382 | 6267 | 9326 | 8242 | 9328 | 11477 | 27 | 2.34E-02 | GKS14 - 3A □□□ 112C22 MDFKA□□ 112-22 60 |
| 3943 | 25 | 2.8 | 68.942 | 6817 | 9326 | 8965 | 9328 | 11454 | 25 | 2.19E-02 | GKS14 - 3A □□□ 112C22 MDFKA□□ 112-22 60 |
| 4457 | 22 | 2.5 | 77.681 | 7681 | 9326 | 10101 | 9328 | 11520 | 22 | 2.18E-02 | GKS14 - 3A □□□ 112C22 MDFKA□□ 112-22 60 |
| 5216 | 19 | 2.2 | 90.551 | 8954 | 9326 | 11775 | 9328 | 11488 | 19 | 2.05E-02 | GKS14 - 3A □□□ 112C22 MDFKA□□ 112-22 60 |

Observe the notes for thermal dimensioning.

Selection tables - Helical-bevel gearboxes

Forced ventilated asynchronous geared servo motors

| M ₂ [Nm] | n ₂ trans [rpm] | c | i | M ₂ max short-time on geared motor at | | | | M ₂ Gr gearbox c=1 n ₁ ≤ 1400 rpm [Nm] | n ₂ therm [rpm] | J _{GM} referred to motor shaft [kgm ²] | Helical-bevel geared servo motor Dimensions on Page 6-88 |
|------------------------|-------------------------------|------------|----------------|---|-------------|----------------------------|-------------|--|-------------------------------|---|---|
| | | | | 8 kHz | | 16 kHz | | | | | |
| | | | | M ₂ max [Nm] | Type EVS | M ₂ max [Nm] | Type EVS | | | | |
| 5891 | 17 | 2.0 | 102.029 | 10089 | 9326 | 13268 | 9328 | 11639 | 17 | 2.05E-02 | GKS14 - 3A □□□ 112C22 MDFKA□□ 112-22 60 |
| 6353 | 16 | 1.8 | 109.896 | 10867 | 9326 | 14290 | 9328 | 11784 | 16 | 1.98E-02 | GKS14 - 3A □□□ 112C22 MDFKA□□ 112-22 60 |
| 7175 | 14 | 1.6 | 123.826 | 12244 | 9326 | 16102 | 9328 | 11639 | 14 | 1.98E-02 | GKS14 - 3A □□□ 112C22 MDFKA□□ 112-22 60 |
| 10874 | 9.2 | 1.1 | 186.572 | 17414 | 9326 | 17414 | 9328 | 11609 | 9.2 | 2.02E-02 | GKS14 - 3A □□□ 112C22 MDFKA□□ 112-22 60 |
| 832 | 211 | 5.1 | 16.646 | 1703 | 9328 | 2112 | 9330 | 5932 | 99 | 3.78E-02 | GKS14 - 3A □□□ 112C22 MDFKA□□ 112-22 120 |
| 918 | 192 | 4.8 | 18.311 | 1873 | 9328 | 2324 | 9330 | 6158 | 92 | 3.53E-02 | GKS14 - 3A □□□ 112C22 MDFKA□□ 112-22 120 |
| 1234 | 143 | 5.1 | 24.696 | 2526 | 9328 | 3134 | 9330 | 8801 | 67 | 3.63E-02 | GKS14 - 3A □□□ 112C22 MDFKA□□ 112-22 120 |
| 1362 | 130 | 4.8 | 27.165 | 2779 | 9328 | 3447 | 9330 | 9135 | 62 | 3.39E-02 | GKS14 - 3A □□□ 112C22 MDFKA□□ 112-22 120 |
| 1536 | 115 | 4.8 | 30.609 | 3131 | 9328 | 3884 | 9330 | 10132 | 55 | 3.36E-02 | GKS14 - 3A □□□ 112C22 MDFKA□□ 112-22 120 |
| 1752 | 101 | 4.2 | 34.692 | 3549 | 9328 | 4402 | 9330 | 10019 | 55 | 2.91E-02 | GKS14 - 3A □□□ 112C22 MDFKA□□ 112-22 120 |
| 1977 | 90 | 4.0 | 39.089 | 3999 | 9328 | 4961 | 9330 | 10937 | 48 | 2.89E-02 | GKS14 - 3A □□□ 112C22 MDFKA□□ 112-22 120 |
| 2148 | 83 | 4.2 | 42.531 | 4351 | 9328 | 5397 | 9330 | 10787 | 47 | 2.62E-02 | GKS14 - 3A □□□ 112C22 MDFKA□□ 112-22 120 |
| 2429 | 73 | 3.8 | 47.923 | 4903 | 9328 | 6082 | 9330 | 11261 | 42 | 2.61E-02 | GKS14 - 3A □□□ 112C22 MDFKA□□ 112-22 120 |
| 2866 | 63 | 3.4 | 56.251 | 5755 | 9328 | 7138 | 9330 | 11522 | 36 | 2.34E-02 | GKS14 - 3A □□□ 112C22 MDFKA□□ 112-22 120 |
| 3243 | 56 | 3.0 | 63.382 | 6484 | 9328 | 8043 | 9330 | 11477 | 32 | 2.34E-02 | GKS14 - 3A □□□ 112C22 MDFKA□□ 112-22 120 |
| 3537 | 51 | 2.7 | 68.942 | 7053 | 9328 | 8749 | 9330 | 11454 | 29 | 2.19E-02 | GKS14 - 3A □□□ 112C22 MDFKA□□ 112-22 120 |
| 3997 | 45 | 2.4 | 77.681 | 7947 | 9328 | 9858 | 9330 | 11520 | 26 | 2.18E-02 | GKS14 - 3A □□□ 112C22 MDFKA□□ 112-22 120 |
| 4677 | 39 | 2.1 | 90.551 | 9263 | 9328 | 11491 | 9330 | 11488 | 22 | 2.05E-02 | GKS14 - 3A □□□ 112C22 MDFKA□□ 112-22 120 |
| 5282 | 35 | 1.9 | 102.029 | 10438 | 9328 | 12948 | 9330 | 11639 | 20 | 2.05E-02 | GKS14 - 3A □□□ 112C22 MDFKA□□ 112-22 120 |
| 5696 | 32 | 1.8 | 109.896 | 11242 | 9328 | 13946 | 9330 | 11784 | 18 | 1.98E-02 | GKS14 - 3A □□□ 112C22 MDFKA□□ 112-22 120 |
| 6421 | 28 | 1.7 | 123.826 | 12667 | 9328 | 15714 | 9330 | 11639 | 16 | 1.98E-02 | GKS14 - 3A □□□ 112C22 MDFKA□□ 112-22 120 |
| 9734 | 19 | 1.1 | 186.572 | 17414 | 9328 | 17414 | 9330 | 11609 | 11 | 2.02E-02 | GKS14 - 3A □□□ 112C22 MDFKA□□ 112-22 120 |
| 1894 | 9.2 | 5.8 | 178.072 | 4922 | 9324 | 3575 | 9324 | 11477 | 9.2 | 3.55E-03 | GKS14 - 4A □□□ 080C22 MDFKA□□ 080-22 60 |
| 3521 | 5.1 | 3.2 | 321.729 | 8892 | 9324 | 6459 | 9324 | 11454 | 5.1 | 2.56E-03 | GKS14 - 4A □□□ 080C22 MDFKA□□ 080-22 60 |
| 3982 | 4.5 | 2.8 | 362.512 | 10019 | 9324 | 7277 | 9324 | 11520 | 4.5 | 2.56E-03 | GKS14 - 4A □□□ 080C22 MDFKA□□ 080-22 60 |
| 4302 | 4.2 | 2.6 | 390.671 | 10797 | 9324 | 7843 | 9324 | 11454 | 4.2 | 2.39E-03 | GKS14 - 4A □□□ 080C22 MDFKA□□ 080-22 60 |
| 4862 | 3.7 | 2.3 | 440.193 | 12166 | 9324 | 8837 | 9324 | 11520 | 3.7 | 2.39E-03 | GKS14 - 4A □□□ 080C22 MDFKA□□ 080-22 60 |
| 5688 | 3.2 | 2.0 | 513.121 | 14182 | 9324 | 10301 | 9324 | 11488 | 3.2 | 2.35E-03 | GKS14 - 4A □□□ 080C22 MDFKA□□ 080-22 60 |
| 6423 | 2.8 | 1.8 | 578.164 | 15979 | 9324 | 11607 | 9324 | 11639 | 2.8 | 2.35E-03 | GKS14 - 4A □□□ 080C22 MDFKA□□ 080-22 60 |
| 6929 | 2.6 | 1.6 | 622.742 | 17211 | 9324 | 12502 | 9324 | 11488 | 2.6 | 2.33E-03 | GKS14 - 4A □□□ 080C22 MDFKA□□ 080-22 60 |
| 7822 | 2.3 | 1.5 | 701.681 | 17459 | 9324 | 14086 | 9324 | 11639 | 2.3 | 2.33E-03 | GKS14 - 4A □□□ 080C22 MDFKA□□ 080-22 60 |
| 9003 | 2.0 | 1.3 | 805.901 | 17232 | 9324 | 16178 | 9324 | 11488 | 2.0 | 2.18E-03 | GKS14 - 4A □□□ 080C22 MDFKA□□ 080-22 60 |
| 10159 | 1.8 | 1.1 | 908.058 | 17459 | 9324 | 17459 | 9324 | 11639 | 1.8 | 2.18E-03 | GKS14 - 4A □□□ 080C22 MDFKA□□ 080-22 60 |
| 10953 | 1.7 | 1.0 | 978.071 | 17232 | 9324 | 17232 | 9324 | 11488 | 1.7 | 2.11E-03 | GKS14 - 4A □□□ 080C22 MDFKA□□ 080-22 60 |

Observe the notes for thermal dimensioning.

Selection tables - Helical-bevel gearboxes

Forced ventilated asynchronous geared servo motors



| M ₂ [Nm] | n _{2 trans} [rpm] | c | i | M _{2 max} short-time on geared motor at | | | | M _{2 Gr} gearbox c=1 n ₁ ≤ 1400 rpm [Nm] | n _{2 therm} [rpm] | J _{GM} referred to motor shaft [kgm ²] | Helical-bevel geared servo motor Dimensions on Page 6-88 |
|------------------------|-------------------------------|-----|---------|---|-------------|----------------------------|-------------|--|-------------------------------|---|---|
| | | | | 8 kHz | | 16 kHz | | | | | |
| | | | | M _{2 max} [Nm] | Type EVS | M _{2 max} [Nm] | Type EVS | | | | |
| 3162 | 11 | 3.4 | 321.729 | 8802 | 9325 | 6369 | 9325 | 11454 | 11 | 2.56E-03 | GKS14 - 4A □□□ 080C22 MDFKA□□ 080-22 120 |
| 3577 | 9.5 | 3.0 | 362.512 | 9918 | 9325 | 7176 | 9325 | 11520 | 9.5 | 2.56E-03 | GKS14 - 4A □□□ 080C22 MDFKA□□ 080-22 120 |
| 3865 | 8.8 | 2.8 | 390.671 | 10688 | 9325 | 7733 | 9325 | 11454 | 8.8 | 2.39E-03 | GKS14 - 4A □□□ 080C22 MDFKA□□ 080-22 120 |
| 4369 | 7.9 | 2.5 | 440.193 | 12043 | 9325 | 8714 | 9325 | 11520 | 7.9 | 2.39E-03 | GKS14 - 4A □□□ 080C22 MDFKA□□ 080-22 120 |
| 5112 | 6.7 | 2.1 | 513.121 | 14038 | 9325 | 10157 | 9325 | 11488 | 6.7 | 2.35E-03 | GKS14 - 4A □□□ 080C22 MDFKA□□ 080-22 120 |
| 5774 | 6.0 | 1.9 | 578.164 | 15817 | 9325 | 11445 | 9325 | 11639 | 6.0 | 2.35E-03 | GKS14 - 4A □□□ 080C22 MDFKA□□ 080-22 120 |
| 6230 | 5.6 | 1.7 | 622.742 | 17037 | 9325 | 12327 | 9325 | 11488 | 5.6 | 2.33E-03 | GKS14 - 4A □□□ 080C22 MDFKA□□ 080-22 120 |
| 7033 | 4.9 | 1.6 | 701.681 | 17459 | 9325 | 13890 | 9325 | 11639 | 4.9 | 2.33E-03 | GKS14 - 4A □□□ 080C22 MDFKA□□ 080-22 120 |
| 8096 | 4.3 | 1.3 | 805.901 | 17232 | 9325 | 15953 | 9325 | 11488 | 4.3 | 2.18E-03 | GKS14 - 4A □□□ 080C22 MDFKA□□ 080-22 120 |
| 9136 | 3.8 | 1.2 | 908.058 | 17459 | 9325 | 17459 | 9325 | 11639 | 3.8 | 2.18E-03 | GKS14 - 4A □□□ 080C22 MDFKA□□ 080-22 120 |
| 9851 | 3.5 | 1.1 | 978.071 | 17232 | 9325 | 17232 | 9325 | 11488 | 3.5 | 2.11E-03 | GKS14 - 4A □□□ 080C22 MDFKA□□ 080-22 120 |
| 1886 | 17 | 4.3 | 97.467 | 5206 | 9325 | 3822 | 9325 | 8508 | 17 | 5.95E-03 | GKS14 - 4A □□□ 090C22 MDFKA□□ 090-22 60 |
| 2126 | 15 | 4.3 | 109.822 | 5865 | 9325 | 4307 | 9325 | 9586 | 15 | 5.92E-03 | GKS14 - 4A □□□ 090C22 MDFKA□□ 090-22 60 |
| 2313 | 14 | 4.3 | 119.493 | 6382 | 9325 | 4686 | 9325 | 10431 | 14 | 5.59E-03 | GKS14 - 4A □□□ 090C22 MDFKA□□ 090-22 60 |
| 2611 | 12 | 4.2 | 134.640 | 7191 | 9325 | 5280 | 9325 | 11261 | 12 | 5.58E-03 | GKS14 - 4A □□□ 090C22 MDFKA□□ 090-22 60 |
| 3083 | 11 | 3.6 | 158.039 | 8441 | 9325 | 6198 | 9325 | 11522 | 11 | 5.24E-03 | GKS14 - 4A □□□ 090C22 MDFKA□□ 090-22 60 |
| 3490 | 9.4 | 3.2 | 178.072 | 9511 | 9325 | 6983 | 9325 | 11477 | 9.4 | 5.23E-03 | GKS14 - 4A □□□ 090C22 MDFKA□□ 090-22 60 |
| 3808 | 8.7 | 3.0 | 193.754 | 10348 | 9325 | 7598 | 9325 | 11522 | 8.7 | 4.81E-03 | GKS14 - 4A □□□ 090C22 MDFKA□□ 090-22 60 |
| 4307 | 7.7 | 2.6 | 218.315 | 11660 | 9325 | 8561 | 9325 | 11477 | 7.7 | 4.80E-03 | GKS14 - 4A □□□ 090C22 MDFKA□□ 090-22 60 |
| 4696 | 7.1 | 2.4 | 237.467 | 12683 | 9325 | 9313 | 9325 | 11454 | 7.1 | 4.69E-03 | GKS14 - 4A □□□ 090C22 MDFKA□□ 090-22 60 |
| 5306 | 6.3 | 2.1 | 267.568 | 14290 | 9325 | 10493 | 9325 | 11520 | 6.3 | 4.68E-03 | GKS14 - 4A □□□ 090C22 MDFKA□□ 090-22 60 |
| 6405 | 5.2 | 1.8 | 321.729 | 17181 | 9325 | 12617 | 9325 | 11454 | 5.2 | 4.24E-03 | GKS14 - 4A □□□ 090C22 MDFKA□□ 090-22 60 |
| 7232 | 4.6 | 1.6 | 362.512 | 17280 | 9325 | 14216 | 9325 | 11520 | 4.6 | 4.24E-03 | GKS14 - 4A □□□ 090C22 MDFKA□□ 090-22 60 |
| 7804 | 4.3 | 1.5 | 390.671 | 17181 | 9325 | 15321 | 9325 | 11454 | 4.3 | 4.07E-03 | GKS14 - 4A □□□ 090C22 MDFKA□□ 090-22 60 |
| 8808 | 3.8 | 1.3 | 440.193 | 17280 | 9325 | 17263 | 9325 | 11520 | 3.8 | 4.07E-03 | GKS14 - 4A □□□ 090C22 MDFKA□□ 090-22 60 |
| 10288 | 3.3 | 1.1 | 513.121 | 17232 | 9325 | 17232 | 9325 | 11488 | 3.3 | 4.03E-03 | GKS14 - 4A □□□ 090C22 MDFKA□□ 090-22 60 |
| 11606 | 2.9 | 1.0 | 578.164 | 17459 | 9325 | 17459 | 9325 | 11639 | 2.9 | 4.03E-03 | GKS14 - 4A □□□ 090C22 MDFKA□□ 090-22 60 |
| 1669 | 36 | 4.2 | 97.467 | 4614 | 9326 | 4059 | 9327 | 8508 | 32 | 5.95E-03 | GKS14 - 4A □□□ 090C22 MDFKA□□ 090-22 120 |
| 1881 | 32 | 4.2 | 109.822 | 5199 | 9326 | 4573 | 9327 | 9586 | 28 | 5.92E-03 | GKS14 - 4A □□□ 090C22 MDFKA□□ 090-22 120 |
| 2036 | 29 | 4.7 | 119.493 | 5657 | 9326 | 4976 | 9327 | 10431 | 26 | 5.59E-03 | GKS14 - 4A □□□ 090C22 MDFKA□□ 090-22 120 |
| 2299 | 26 | 4.5 | 134.640 | 6374 | 9326 | 5607 | 9327 | 11261 | 23 | 5.58E-03 | GKS14 - 4A □□□ 090C22 MDFKA□□ 090-22 120 |
| 2716 | 22 | 3.9 | 158.039 | 7482 | 9326 | 6581 | 9327 | 11522 | 20 | 5.24E-03 | GKS14 - 4A □□□ 090C22 MDFKA□□ 090-22 120 |
| 3076 | 20 | 3.5 | 178.072 | 8430 | 9326 | 7416 | 9327 | 11477 | 17 | 5.23E-03 | GKS14 - 4A □□□ 090C22 MDFKA□□ 090-22 120 |
| 3357 | 18 | 3.2 | 193.754 | 9172 | 9326 | 8069 | 9327 | 11522 | 16 | 4.81E-03 | GKS14 - 4A □□□ 090C22 MDFKA□□ 090-22 120 |

Observe the notes for thermal dimensioning.

Selection tables - Helical-bevel gearboxes

Forced ventilated asynchronous geared servo motors

| M ₂ [Nm] | n ₂ trans [rpm] | c | i | M ₂ max short-time on geared motor at | | | | M ₂ Gr gearbox c=1 n ₁ ≤ 1400 rpm [Nm] | n ₂ therm [rpm] | J _{GM} referred to motor shaft [kgm ²] | Helical-bevel geared servo motor Dimensions on Page 6-88 |
|------------------------|-------------------------------|-----|---------|---|-------------|----------------------------|-------------|--|-------------------------------|---|---|
| | | | | 8 kHz | | 16 kHz | | | | | |
| | | | | M ₂ max [Nm] | Type EVS | M ₂ max [Nm] | Type EVS | | | | |
| 3798 | 16 | 2.8 | 218.315 | 10335 | 9326 | 9091 | 9327 | 11477 | 14 | 4.80E-03 | GKS14 - 4A □□□ 090C22 MDFKA□□ 090-22 120 |
| 4141 | 15 | 2.6 | 237.467 | 11242 | 9326 | 9889 | 9327 | 11454 | 13 | 4.69E-03 | GKS14 - 4A □□□ 090C22 MDFKA□□ 090-22 120 |
| 4680 | 13 | 2.3 | 267.568 | 12667 | 9326 | 11143 | 9327 | 11520 | 12 | 4.68E-03 | GKS14 - 4A □□□ 090C22 MDFKA□□ 090-22 120 |
| 5652 | 11 | 1.9 | 321.729 | 15231 | 9326 | 13398 | 9327 | 11454 | 9.7 | 4.24E-03 | GKS14 - 4A □□□ 090C22 MDFKA□□ 090-22 120 |
| 6383 | 9.6 | 1.7 | 362.512 | 17161 | 9326 | 15096 | 9327 | 11520 | 8.6 | 4.24E-03 | GKS14 - 4A □□□ 090C22 MDFKA□□ 090-22 120 |
| 6888 | 8.9 | 1.6 | 390.671 | 17181 | 9326 | 16269 | 9327 | 11454 | 8.0 | 4.07E-03 | GKS14 - 4A □□□ 090C22 MDFKA□□ 090-22 120 |
| 7775 | 7.9 | 1.4 | 440.193 | 17280 | 9326 | 17280 | 9327 | 11520 | 7.1 | 4.07E-03 | GKS14 - 4A □□□ 090C22 MDFKA□□ 090-22 120 |
| 9083 | 6.8 | 1.2 | 513.121 | 17232 | 9326 | 17232 | 9327 | 11488 | 6.1 | 4.03E-03 | GKS14 - 4A □□□ 090C22 MDFKA□□ 090-22 120 |
| 10248 | 6.0 | 1.1 | 578.164 | 17459 | 9326 | 17459 | 9327 | 11639 | 5.4 | 4.03E-03 | GKS14 - 4A □□□ 090C22 MDFKA□□ 090-22 120 |
| 3232 | 17 | 3.0 | 97.467 | 4559 | 9325 | 5506 | 9326 | 10019 | 17 | 9.55E-03 | GKS14 - 4A □□□ 100C22 MDFKA□□ 100-22 60 |
| 3645 | 15 | 2.9 | 109.822 | 5137 | 9325 | 6204 | 9326 | 10937 | 15 | 9.52E-03 | GKS14 - 4A □□□ 100C22 MDFKA□□ 100-22 60 |
| 3978 | 14 | 2.7 | 119.493 | 5590 | 9325 | 6750 | 9326 | 10787 | 14 | 9.19E-03 | GKS14 - 4A □□□ 100C22 MDFKA□□ 100-22 60 |
| 4492 | 13 | 2.5 | 134.640 | 6298 | 9325 | 7606 | 9326 | 11261 | 13 | 9.18E-03 | GKS14 - 4A □□□ 100C22 MDFKA□□ 100-22 60 |
| 5291 | 11 | 2.2 | 158.039 | 7393 | 9325 | 8928 | 9326 | 11522 | 11 | 8.84E-03 | GKS14 - 4A □□□ 100C22 MDFKA□□ 100-22 60 |
| 5977 | 9.6 | 1.9 | 178.072 | 8330 | 9325 | 10059 | 9326 | 11477 | 9.6 | 8.83E-03 | GKS14 - 4A □□□ 100C22 MDFKA□□ 100-22 60 |
| 6514 | 8.8 | 1.8 | 193.754 | 9064 | 9325 | 10945 | 9326 | 11522 | 8.8 | 8.41E-03 | GKS14 - 4A □□□ 100C22 MDFKA□□ 100-22 60 |
| 7356 | 7.8 | 1.6 | 218.315 | 10213 | 9325 | 12333 | 9326 | 11477 | 7.8 | 8.40E-03 | GKS14 - 4A □□□ 100C22 MDFKA□□ 100-22 60 |
| 8012 | 7.2 | 1.4 | 237.467 | 11109 | 9325 | 13414 | 9326 | 11454 | 7.2 | 8.29E-03 | GKS14 - 4A □□□ 100C22 MDFKA□□ 100-22 60 |
| 9043 | 6.4 | 1.3 | 267.568 | 12517 | 9325 | 15115 | 9326 | 11520 | 6.4 | 8.28E-03 | GKS14 - 4A □□□ 100C22 MDFKA□□ 100-22 60 |
| 10899 | 5.3 | 1.1 | 321.729 | 15050 | 9325 | 17181 | 9326 | 11454 | 5.3 | 7.84E-03 | GKS14 - 4A □□□ 100C22 MDFKA□□ 100-22 60 |
| 3219 | 36 | 2.6 | 97.467 | 6152 | 9327 | 5824 | 9328 | 10019 | 25 | 9.55E-03 | GKS14 - 4A □□□ 100C22 MDFKA□□ 100-22 120 |
| 3631 | 32 | 2.5 | 109.822 | 6932 | 9327 | 6563 | 9328 | 10937 | 22 | 9.52E-03 | GKS14 - 4A □□□ 100C22 MDFKA□□ 100-22 120 |
| 3950 | 29 | 2.5 | 119.493 | 7542 | 9327 | 7141 | 9328 | 10787 | 20 | 9.19E-03 | GKS14 - 4A □□□ 100C22 MDFKA□□ 100-22 120 |
| 4460 | 26 | 2.4 | 134.640 | 8498 | 9327 | 8046 | 9328 | 11261 | 18 | 9.18E-03 | GKS14 - 4A □□□ 100C22 MDFKA□□ 100-22 120 |
| 5252 | 22 | 2.1 | 158.039 | 9975 | 9327 | 9444 | 9328 | 11522 | 15 | 8.84E-03 | GKS14 - 4A □□□ 100C22 MDFKA□□ 100-22 120 |
| 5933 | 20 | 1.8 | 178.072 | 11240 | 9327 | 10641 | 9328 | 11477 | 14 | 8.83E-03 | GKS14 - 4A □□□ 100C22 MDFKA□□ 100-22 120 |
| 6465 | 18 | 1.7 | 193.754 | 12230 | 9327 | 11578 | 9328 | 11522 | 13 | 8.41E-03 | GKS14 - 4A □□□ 100C22 MDFKA□□ 100-22 120 |
| 7300 | 16 | 1.5 | 218.315 | 13780 | 9327 | 13046 | 9328 | 11477 | 11 | 8.40E-03 | GKS14 - 4A □□□ 100C22 MDFKA□□ 100-22 120 |
| 7951 | 15 | 1.4 | 237.467 | 14989 | 9327 | 14191 | 9328 | 11454 | 10 | 8.29E-03 | GKS14 - 4A □□□ 100C22 MDFKA□□ 100-22 120 |
| 8973 | 13 | 1.2 | 267.568 | 16889 | 9327 | 15989 | 9328 | 11520 | 9.2 | 8.28E-03 | GKS14 - 4A □□□ 100C22 MDFKA□□ 100-22 120 |
| 10814 | 11 | 1.0 | 321.729 | 17181 | 9327 | 17181 | 9328 | 11454 | 7.6 | 7.84E-03 | GKS14 - 4A □□□ 100C22 MDFKA□□ 100-22 120 |
| 5540 | 18 | 1.8 | 97.467 | 9474 | 9326 | 12459 | 9328 | 10019 | 18 | 2.03E-02 | GKS14 - 4A □□□ 112C22 MDFKA□□ 112-22 60 |
| 6246 | 16 | 1.7 | 109.822 | 10675 | 9326 | 14038 | 9328 | 10937 | 16 | 2.03E-02 | GKS14 - 4A □□□ 112C22 MDFKA□□ 112-22 60 |
| 6808 | 14 | 1.6 | 119.493 | 11615 | 9326 | 15274 | 9328 | 10787 | 14 | 2.00E-02 | GKS14 - 4A □□□ 112C22 MDFKA□□ 112-22 60 |

Observe the notes for thermal dimensioning.

Selection tables - Helical-bevel gearboxes

Forced ventilated asynchronous geared servo motors

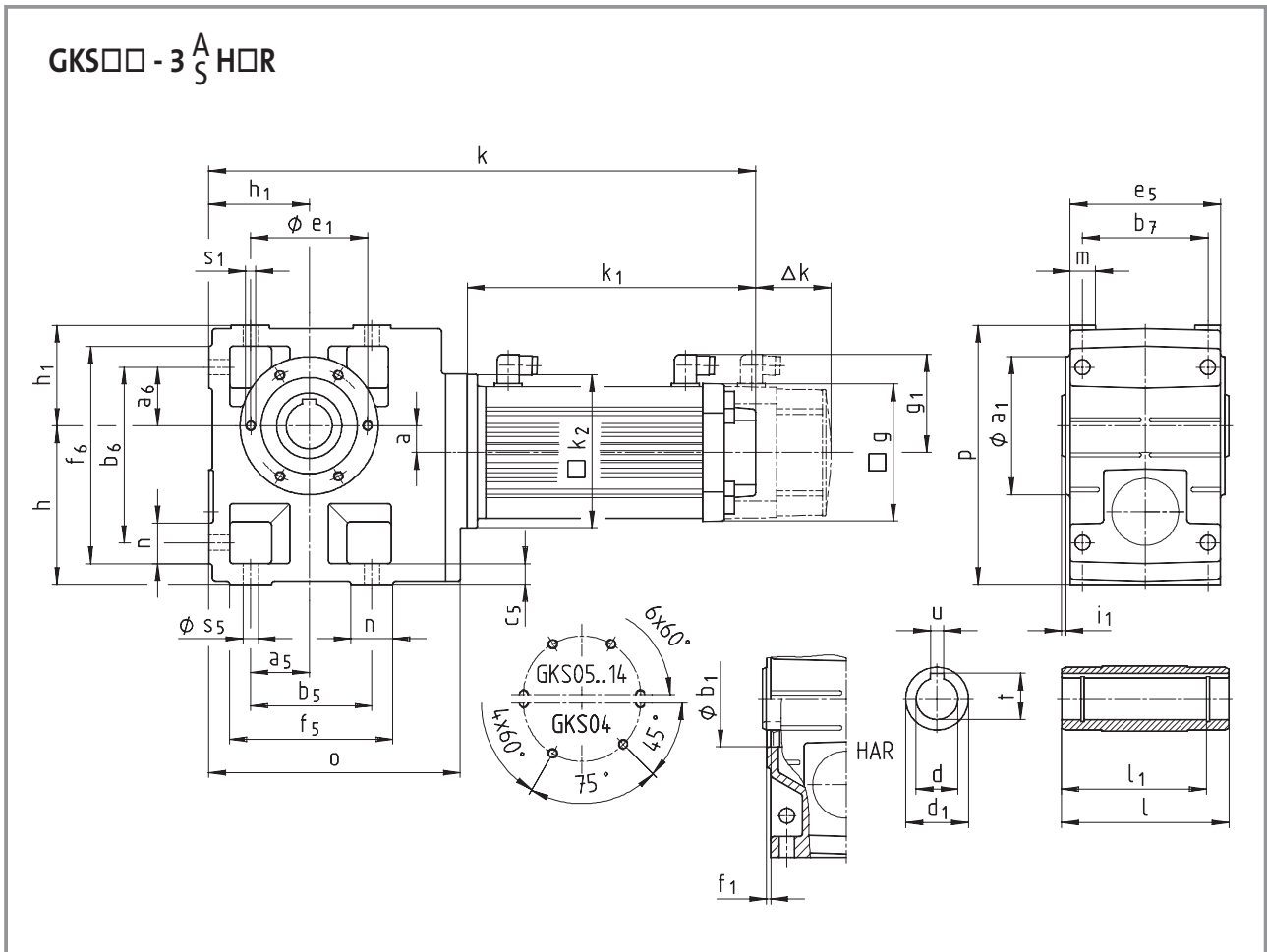


| M ₂ [Nm] | n _{2 trans} [rpm] | c | i | M _{2 max} short-time on geared motor at | | | | M _{2 Gr} gearbox c=1 n ₁ ≤ 1400 rpm [Nm] | n _{2 therm} [rpm] | J _{GM} referred to motor shaft [kgm ²] | Helical-bevel geared servo motor Dimensions on Page 6-88 |
|------------------------|-------------------------------|-----|---------|---|-------------|----------------------------|-------------|--|-------------------------------|---|---|
| | | | | 8 kHz | | 16 kHz | | | | | |
| | | | | M _{2 max} [Nm] | Type EVS | M _{2 max} [Nm] | Type EVS | | | | |
| 7681 | 13 | 1.5 | 134.640 | 13087 | 9326 | 16892 | 9328 | 11261 | 13 | 2.00E-02 | GKS14 - 4A □□□ 112C22 MDFKA□□ 112-22 60 |
| 9034 | 11 | 1.3 | 158.039 | 15361 | 9326 | 17283 | 9328 | 11522 | 11 | 1.96E-02 | GKS14 - 4A □□□ 112C22 MDFKA□□ 112-22 60 |
| 10195 | 9.6 | 1.1 | 178.072 | 17216 | 9326 | 17216 | 9328 | 11477 | 9.6 | 1.96E-02 | GKS14 - 4A □□□ 112C22 MDFKA□□ 112-22 60 |
| 11104 | 8.8 | 1.0 | 193.754 | 17283 | 9326 | 17283 | 9328 | 11522 | 8.8 | 1.92E-02 | GKS14 - 4A □□□ 112C22 MDFKA□□ 112-22 60 |
| 4967 | 36 | 1.7 | 97.467 | 9801 | 9328 | 12158 | 9330 | 10019 | 21 | 2.03E-02 | GKS14 - 4A □□□ 112C22 MDFKA□□ 112-22 120 |
| 5600 | 32 | 1.7 | 109.822 | 11044 | 9328 | 13700 | 9330 | 10937 | 18 | 2.03E-02 | GKS14 - 4A □□□ 112C22 MDFKA□□ 112-22 120 |
| 6093 | 29 | 1.7 | 119.493 | 12016 | 9328 | 14906 | 9330 | 10787 | 17 | 2.00E-02 | GKS14 - 4A □□□ 112C22 MDFKA□□ 112-22 120 |
| 6874 | 26 | 1.5 | 134.640 | 13540 | 9328 | 16796 | 9330 | 11261 | 15 | 2.00E-02 | GKS14 - 4A □□□ 112C22 MDFKA□□ 112-22 120 |
| 8086 | 22 | 1.3 | 158.039 | 15893 | 9328 | 17283 | 9330 | 11522 | 13 | 1.96E-02 | GKS14 - 4A □□□ 112C22 MDFKA□□ 112-22 120 |
| 9126 | 20 | 1.2 | 178.072 | 17216 | 9328 | 17216 | 9330 | 11477 | 11 | 1.96E-02 | GKS14 - 4A □□□ 112C22 MDFKA□□ 112-22 120 |
| 9940 | 18 | 1.1 | 193.754 | 17283 | 9328 | 17283 | 9330 | 11522 | 10 | 1.92E-02 | GKS14 - 4A □□□ 112C22 MDFKA□□ 112-22 120 |

Observe the notes for thermal dimensioning.

Dimensions - Helical-bevel gearboxes

Geared servo motors with resolver



Dimensions - Helical-bevel gearboxes

Geared servo motors with resolver

| Geared servo motor | | S (synchronous servo motors) | | | | | A (asynchronous servo motors) | | | | | | | | | | |
|--------------------|-------------------------------------|------------------------------|-----|-----|----------------|-----|-------------------------------|-----|-----|-----|-----|-----|-----|-----|-----|------|------|
| GKS□□ - 3 AS HOR | | 056 | | 071 | | | 056 | 071 | 080 | 090 | 100 | 112 | | | | | |
| | | C23 | C33 | C03 | C13 | C33 | C22 | C22 | C22 | C22 | C22 | C22 | | | | | |
| Motor | g | 102 | 102 | 131 | 131 | 131 | 102 | 131 | 142 | 165 | 192 | 214 | | | | | |
| | g ₁ | 90 | 90 | 102 | 102 | 102 | 90 | 102 | 109 | 118 | 136 | 147 | | | | | |
| | k ₂ | 145 | 145 | 145 | 145 | 145 | 145 | 145 | 180 | 180 | 222 | 265 | | | | | |
| | k ₁ naturally ventilated | 207 | 242 | 215 | 250 | 285 | 258 | 267 | 307 | 346 | 408 | 479 | | | | | |
| | Δk** forced ventilated+brake | 27 | 27 | 35 | 35 | 35 | 25 | 35 | 33 | 35 | 38 | 42 | | | | | |
| | forced ventilated | - | - | 68 | 68 | 68 | - | 68 | 62 | 89 | 97 | 96 | | | | | |
| | forced ventilated+brake | - | - | 103 | 103 | 103 | - | 103 | 95 | 124 | 135 | 138 | | | | | |
| Gearbox size | Gearbox | | | | | | Overall length | | | | | | | | | | |
| | o | l* | p* | h | h ₁ | a | k | | | | | | | | | | |
| 04 | 203 | 115 | 171 | 100 | 71 | 20 | 423 | 458 | 432 | 467 | 502 | 475 | 483 | | | | |
| 05 | 232 | 140 | 205 | 125 | 80 | 23 | 443 | 478 | 452 | 487 | 522 | 495 | 503 | 553 | | | |
| 06 | 291 | 160 | 250 | 150 | 100 | 28 | 499 | 534 | 508 | 543 | 578 | 551 | 559 | 609 | 648 | | |
| 07 | 354 | 200 | 310 | 190 | 120 | 34 | 555 | 590 | 564 | 599 | 634 | 607 | 615 | 665 | 704 | 773 | 851 |
| 09 | 429 | 240 | 386 | 236 | 150 | 41 | | | | | | | | 736 | 775 | 844 | 922 |
| 11 | 527 | 290 | 485 | 300 | 185 | 54 | | | | | | | | 827 | 866 | 935 | 1013 |
| 14 | 636 | 350 | 605 | 375 | 230 | 67 | | | | | | | | | | 1034 | 1112 |

| Gearbox size | Hollow shaft | | | | | | Pitch circle | | | | | | Foot | | | | | | | | | | | |
|--------------|--------------|-----|----------------|----------------|----------|--------------|----------------|----------------------|----------------|----------------|----------------|----------------|----------------|----------------|----------------|----------------|----------------|----------------|----------------|----------------|----------------|----|----|----------------|
| | d H7 | l | d ₁ | l ₁ | u JS9 | t +0.2 | a ₁ | b ₁ H7 | e ₁ | f ₁ | i ₁ | s ₁ | a ₅ | a ₆ | b ₅ | b ₆ | b ₇ | c ₅ | e ₅ | f ₅ | f ₆ | n | m | s ₅ |
| 04 | 25 30 | 115 | 45 | 100 | 8 8 | 28.3 33.3 | 105 | 75 | 90 | 3 | 2.5 | M6x12 | 45 | 45 | 110 | 119 | 85 | 14 | 105 | 132 | 141 | 22 | 21 | 9 |
| 05 | 30 35 | 140 | 50 | 124 | 8 10 | 33.3 38.3 | 118 | 80 | 100 | 4 | 4 | M8x15 | 47.5 | 47.5 | 115 | 140 | 105 | 17 | 127 | 144 | 169 | 29 | 21 | 11 |
| 06 | 40 45 | 160 | 65 | 140 | 12 14 | 43.3 48.8 | 140 | 100 | 120 | 4 | 5 | M10x16 | 60 | 60 | 155 | 170 | 120 | 20 | 145 | 191 | 206 | 36 | 23 | 14 |
| 07 | 50 55 | 200 | 75 | 175 | 14 16 | 53.8 59.3 | 165 | 115 | 140 | 5 | 5 | M12x18 | 70 | 70 | 190 | 210 | 150 | 25 | 180 | 235 | 255 | 45 | 28 | 18 |
| 09 | 60 70 | 240 | 95 | 210 | 18 20 | 64.4 74.9 | 205 | 145 | 175 | 6 | 5 | M16x24 | 90 | 90 | 240 | 266 | 185 | 30 | 222 | 300 | 326 | 60 | 37 | 22 |
| 11 | 70 80 | 290 | 105 | 250 | 20 22 | 74.9 85.4 | 240 | 140 | 205 | 6 | 6 | M20x32 | 105 | 105 | 290 | 325 | 225 | 40 | 270 | 363 | 398 | 73 | 43 | 26 |
| 14 | 100 | 350 | 135 | 305 | 28 | 106.4 | 290 | 170 | 250 | 6 | 7 | M24x35 | 135 | 135 | 360 | 415 | 275 | 50 | 328 | 442 | 497 | 82 | 52 | 33 |

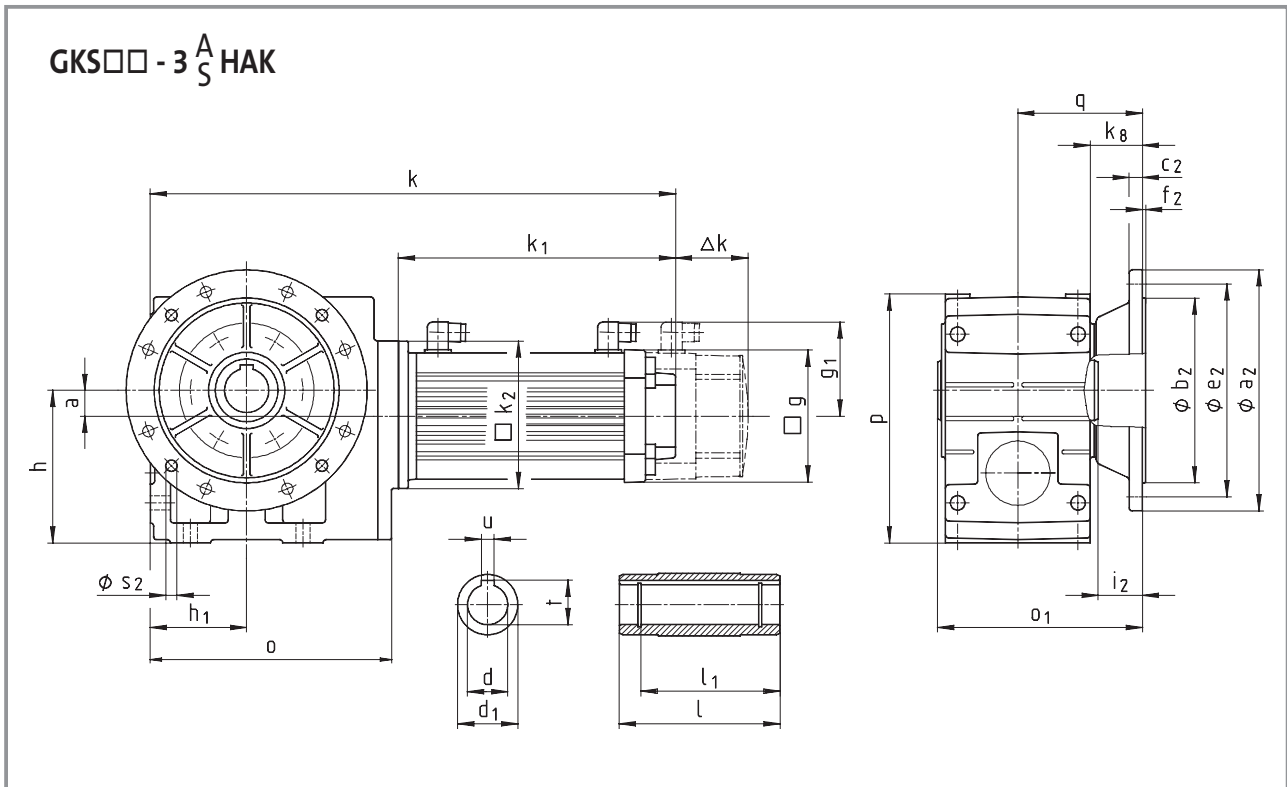
Dimensions in [mm]

* Observe dimension k₂.

** See page 8-34 for more built-on accessories for motors

Dimensions - Helical-bevel gearboxes

Geared servo motors with resolver



Dimensions - Helical-bevel gearboxes

Geared servo motors with resolver

| Geared servo motor | | S (synchronous servo motors) | | | | | A (asynchronous servo motors) | | | | | | | | | | | | |
|--------------------|-------------------------------------|------------------------------|-----|-----|----------------|-----|-------------------------------|------|----------------|-----|-----|-----|-----|-----|-----|-----|------|------|-----|
| GKS□□ - 3 A S HAK | | 056 | | 071 | | | 056 | 071 | 080 | 090 | 100 | 112 | | | | | | | |
| | | C23 | C33 | C03 | C13 | C33 | C22 | C22 | C22 | C22 | C22 | C22 | | | | | | | |
| Motor | g | 102 | 102 | 131 | 131 | 131 | 102 | 131 | 142 | 165 | 192 | 214 | | | | | | | |
| | g ₁ | 90 | 90 | 102 | 102 | 102 | 90 | 102 | 109 | 118 | 136 | 147 | | | | | | | |
| | k ₂ | 145 | 145 | 145 | 145 | 145 | 145 | 145 | 180 | 180 | 222 | 265 | | | | | | | |
| | k ₁ naturally ventilated | 207 | 242 | 215 | 250 | 285 | 258 | 267 | 307 | 346 | 408 | 479 | | | | | | | |
| | Δk** forced ventilated+brake | 27 | 27 | 35 | 35 | 35 | 25 | 35 | 33 | 35 | 38 | 42 | | | | | | | |
| | forced ventilated | - | - | 68 | 68 | 68 | - | 68 | 62 | 89 | 97 | 96 | | | | | | | |
| | forced ventilated+brake | - | - | 103 | 103 | 103 | - | 103 | 95 | 124 | 135 | 138 | | | | | | | |
| Gearbox size | Gearbox | | | | | | | | Overall length | | | | | | | | | | |
| | o | o ₁ * | p* | h | h ₁ | a | k _g | q | k | | | | | | | | | | |
| 04 | 203 | 148 | 171 | 100 | 71 | 20 | 38 | 90.5 | 423 | 458 | 432 | 467 | 502 | 475 | 483 | | | | |
| 05 | 232 | 173 | 205 | 125 | 80 | 23 | 40 | 103 | 443 | 478 | 452 | 487 | 522 | 495 | 503 | 553 | | | |
| 06 | 291 | 201 | 250 | 150 | 100 | 28 | 49 | 121 | 499 | 534 | 508 | 543 | 578 | 551 | 559 | 609 | 648 | | |
| 07 | 354 | 255 | 310 | 190 | 120 | 34 | 65 | 155 | 555 | 590 | 564 | 599 | 634 | 607 | 615 | 665 | 704 | 773 | 851 |
| 09 | 429 | 300 | 386 | 236 | 150 | 41 | 69 | 180 | | | | | | | 736 | 775 | 844 | 922 | |
| 11 | 527 | 350 | 485 | 300 | 185 | 54 | 70 | 205 | | | | | | | 827 | 866 | 935 | 1013 | |
| 14 | 636 | 410 | 605 | 375 | 230 | 67 | 71 | 235 | | | | | | | | | 1034 | 1112 | |

| Gearbox size | d H7 | l | Hollow shaft | | | | Output flange | | | | | | | |
|--------------|----------|-----|----------------|----------------|----------|--------------|----------------|----------------------|----------------|----------------|----------------|----------------|----------------------|--|
| | | | d ₁ | l ₁ | u JS9 | t +0.2 | a ₂ | b ₂ j7 | c ₂ | e ₂ | f ₂ | i ₂ | s ₂ | |
| 04 | 25 30 | 115 | 45 | 100 | 8 8 | 28.3 33.3 | 160 | 110 | 10 | 130 | 3.5 | 33 | 4 x 9 | |
| 05 | 30 35 | 140 | 50 | 124 | 8 10 | 33.3 38.3 | 200 | 130 | 12 | 165 | 3.5 | 33 | 4 x 11 | |
| 06 | 40 45 | 160 | 65 | 140 | 12 14 | 43.3 48.8 | 200 250 | 130 180 | 12 15 | 165 215 | 3.5 4 | 42 41 | 4 x 11 4 x 14 | |
| 07 | 50 55 | 200 | 75 | 175 | 14 16 | 53.8 59.3 | 250 300 | 180 230 | 15 17 | 215 265 | 4 | 55 | 4 x 14 | |
| 09 | 60 70 | 240 | 95 | 210 | 18 20 | 64.4 74.9 | 350 | 250 | 18 | 300 | 4 | 60 | 4 x 17.5 | |
| 11 | 70 80 | 290 | 105 | 250 | 20 22 | 74.9 85.4 | 400 450 | 300 350 | 20 22 | 350 400 | 5 | 60 | 4 x 17.5 8 x 17.5 | |
| 14 | 100 | 350 | 135 | 305 | 28 | 106.4 | 450 | 350 | 22 | 400 | 5 | 60 | 8 x 17.5 | |

Dimensions in [mm]

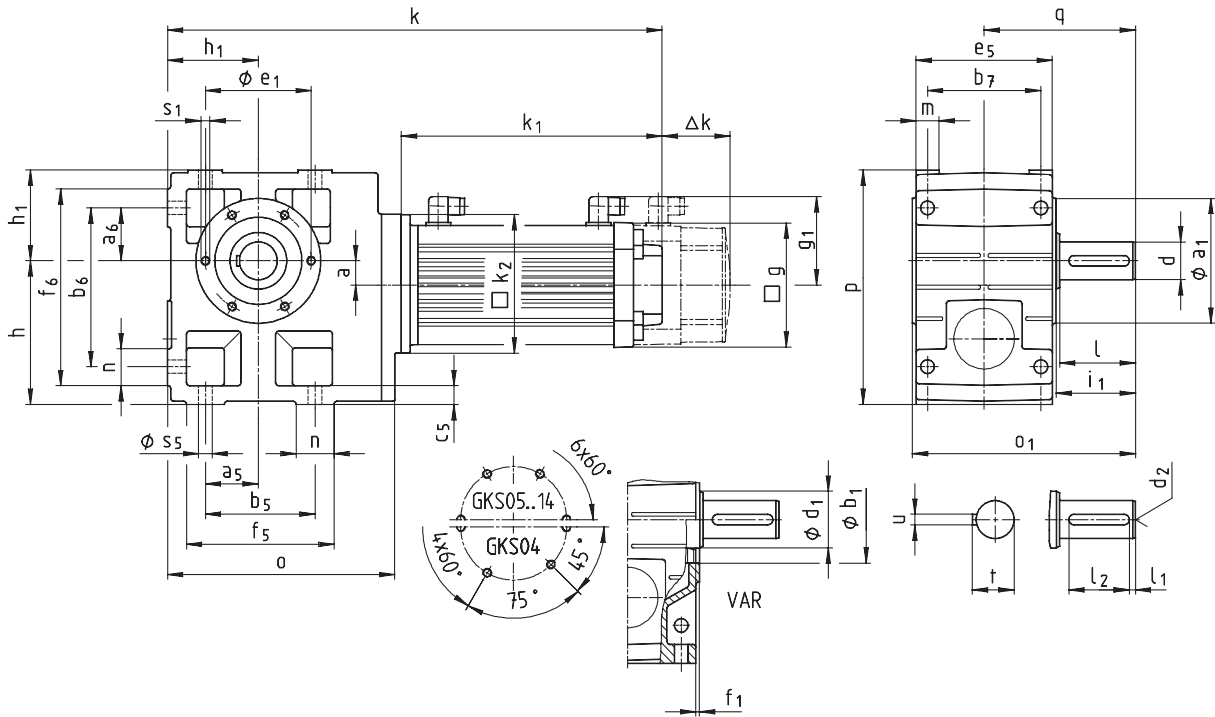
* Observe dimension k₂.

** See page 8-34 for more built-on accessories for motors

Dimensions - Helical-bevel gearboxes

Geared servo motors with resolver

GKS□□ - 3 $\frac{A}{S}$ V□R



Dimensions - Helical-bevel gearboxes

Geared servo motors with resolver

| Geared servo motor GKS□□ - 3 A S V□R | | S (synchronous servo motors) | | | | | A (asynchronous servo motors) | | | | | | | | | | | |
|---|-------------------------------------|------------------------------|-----|-----|----------------|-----|-------------------------------|----------------|-----|-----|-----|-----|-----|-----|-----|-----|------|------|
| | | 056 | | 071 | | | 056 | 071 | 080 | 090 | 100 | 112 | | | | | | |
| | | C23 | C33 | C03 | C13 | C33 | C22 | C22 | C22 | C22 | C22 | C22 | | | | | | |
| Motor | g | 102 | 102 | 131 | 131 | 131 | 102 | 131 | 142 | 165 | 192 | 214 | | | | | | |
| | g ₁ | 90 | 90 | 102 | 102 | 102 | 90 | 102 | 109 | 118 | 136 | 147 | | | | | | |
| | k ₂ | 145 | 145 | 145 | 145 | 145 | 145 | 145 | 180 | 180 | 222 | 265 | | | | | | |
| | k ₁ naturally ventilated | 207 | 242 | 215 | 250 | 285 | 258 | 267 | 307 | 346 | 408 | 479 | | | | | | |
| | Δk** forced ventilated+brake | 27 | 27 | 35 | 35 | 35 | 25 | 35 | 33 | 35 | 38 | 42 | | | | | | |
| | forced ventilated | - | - | 68 | 68 | 68 | - | 68 | 62 | 89 | 97 | 96 | | | | | | |
| | forced ventilated+brake | - | - | 103 | 103 | 103 | - | 103 | 95 | 124 | 135 | 138 | | | | | | |
| Gearbox size | Gearbox | | | | | | | Overall length | | | | | | | | | | |
| | o | o1* | p* | h | h ₁ | a | q | k | | | | | | | | | | |
| 04 | 203 | 163 | 171 | 100 | 71 | 20 | 107.5 | 423 | 458 | 432 | 467 | 502 | 475 | 483 | | | | |
| 05 | 232 | 197 | 205 | 125 | 80 | 23 | 130 | 443 | 478 | 452 | 487 | 522 | 495 | 503 | 553 | | | |
| 06 | 291 | 236 | 250 | 150 | 100 | 28 | 160 | 499 | 534 | 508 | 543 | 578 | 551 | 559 | 609 | 648 | | |
| 07 | 354 | 296 | 310 | 190 | 120 | 34 | 200 | 555 | 590 | 564 | 599 | 634 | 607 | 615 | 665 | 704 | 773 | 851 |
| 09 | 429 | 356 | 386 | 236 | 150 | 41 | 240 | | | | | | | | 736 | 775 | 844 | 922 |
| 11 | 527 | 445 | 485 | 300 | 185 | 54 | 305 | | | | | | | | 827 | 866 | 935 | 1013 |
| 14 | 636 | 544 | 605 | 375 | 230 | 67 | 375 | | | | | | | | | | 1034 | 1112 |

| Gearbox size | Solid shaft | | | | | | | | | Pitch circle | | | | | Foot | | | | | | | | | | | |
|--------------|-------------|-----|----------------|----------------|----------------|----------------|----|------|----------------|----------------------|----------------|----------------|----------------|----------------|----------------|----------------|----------------|----------------|----------------|----------------|----------------|----------------|----------------|----|----|----------------|
| | d | l | d ₁ | l ₁ | l ₂ | d ₂ | u | t | a ₁ | b ₁ H7 | e ₁ | f ₁ | i ₁ | s ₁ | a ₅ | a ₆ | b ₅ | b ₆ | b ₇ | c ₅ | e ₅ | f ₅ | f ₆ | n | m | s ₅ |
| 04 | 25 | 50 | 45 | 4 | 40 | M10 | 8 | 28 | 105 | 75 | 90 | 3 | 52.5 | M6x12 | 45 | 45 | 110 | 119 | 85 | 14 | 105 | 132 | 141 | 22 | 21 | 9 |
| 05 | 30 | 60 | 50 | 6 | 45 | M10 | 8 | 33 | 118 | 80 | 100 | 4 | 64 | M8x15 | 47.5 | 47.5 | 115 | 140 | 105 | 17 | 127 | 144 | 169 | 29 | 21 | 11 |
| 06 | 40 | 80 | 65 | 7 | 63 | M16 | 12 | 43 | 140 | 100 | 120 | 4 | 85 | M10x16 | 60 | 60 | 155 | 170 | 120 | 20 | 145 | 191 | 206 | 36 | 23 | 14 |
| 07 | 50 | 100 | 75 | 8 | 80 | M16 | 14 | 53.5 | 165 | 115 | 140 | 5 | 105 | M12x18 | 70 | 70 | 190 | 210 | 150 | 25 | 180 | 235 | 255 | 45 | 28 | 18 |
| 09 | 60 | 120 | 95 | 8 | 100 | M20 | 18 | 64 | 205 | 145 | 175 | 6 | 125 | M16x24 | 90 | 90 | 240 | 266 | 185 | 30 | 222 | 300 | 326 | 60 | 37 | 22 |
| 11 | 80 | 160 | 105 | 15 | 125 | M20 | 22 | 85 | 240 | 140 | 205 | 6 | 166 | M20x32 | 105 | 105 | 290 | 325 | 225 | 40 | 270 | 363 | 398 | 73 | 43 | 26 |
| 14 | 100 | 200 | 135 | 18 | 160 | M24 | 28 | 106 | 290 | 170 | 250 | 6 | 207 | M24x35 | 135 | 135 | 360 | 415 | 275 | 50 | 328 | 442 | 497 | 82 | 52 | 33 |

Dimensions in [mm]

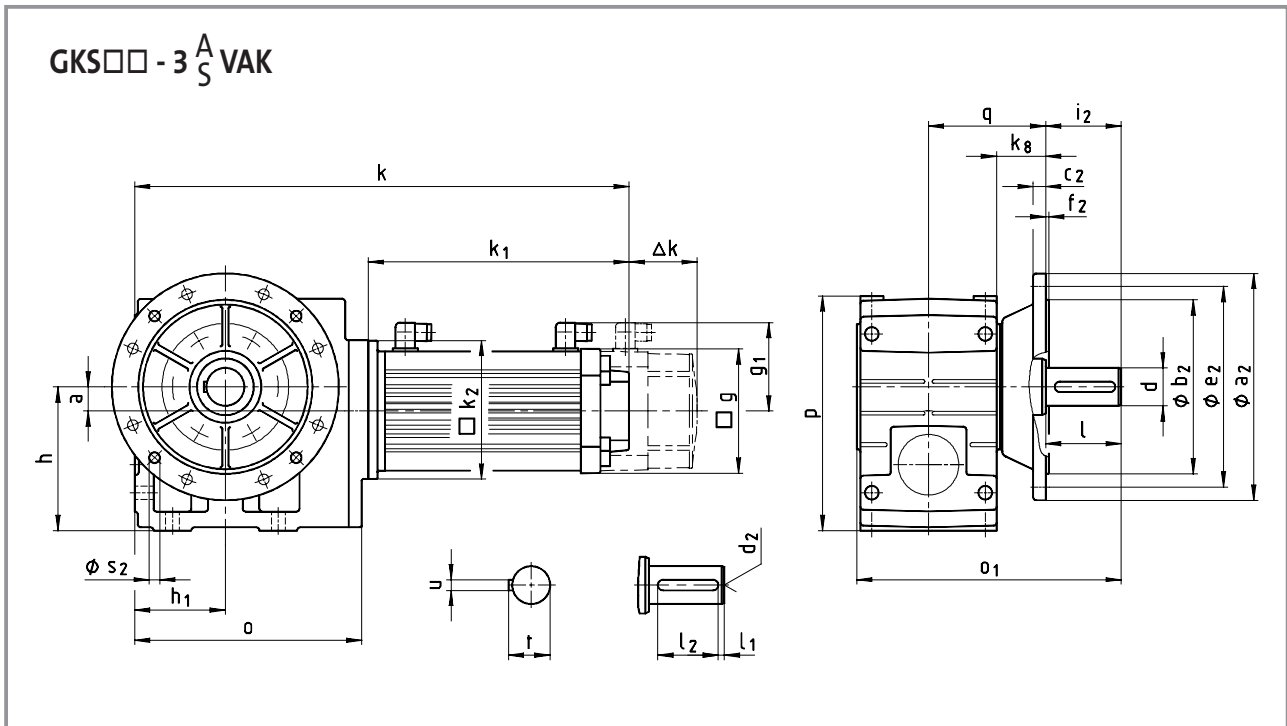
d ≤ 50 mm: k6
d > 50 mm: m6

* Observe dimension k₂

** See page 8-34 for more built-on accessories for motors

Dimensions - Helical-bevel gearboxes

Geared servo motors with resolver



Dimensions - Helical-bevel gearboxes

Geared servo motors with resolver

| Geared servo motor GKS□□ - 3 AS VAK | | S (synchronous servo motors) | | | | | A (asynchronous servo motors) | | | | | | | | | | | | |
|---|-------------------------------------|------------------------------|-----|-----|----------------|-----|-------------------------------|------|----------------|-----|-----|-----|-----|-----|-----|-----|-----|------|------|
| | | 056 | | 071 | | | 056 | 071 | 080 | 090 | 100 | 112 | | | | | | | |
| | | C23 | C33 | C03 | C13 | C33 | C22 | C22 | C22 | C22 | C22 | C22 | | | | | | | |
| Motor | g | 102 | 102 | 131 | 131 | 131 | 102 | 131 | 142 | 165 | 192 | 214 | | | | | | | |
| | g ₁ | 90 | 90 | 102 | 102 | 102 | 90 | 102 | 109 | 118 | 136 | 147 | | | | | | | |
| | k ₂ | 145 | 145 | 145 | 145 | 145 | 145 | 145 | 180 | 180 | 222 | 265 | | | | | | | |
| | k ₁ naturally ventilated | 207 | 242 | 215 | 250 | 285 | 258 | 267 | 307 | 346 | 408 | 479 | | | | | | | |
| | Δk** forced ventilated+brake | 27 | 27 | 35 | 35 | 35 | 25 | 35 | 33 | 35 | 38 | 42 | | | | | | | |
| | forced ventilated | - | - | 68 | 68 | 68 | - | 68 | 62 | 89 | 97 | 96 | | | | | | | |
| | forced ventilated+brake | - | - | 103 | 103 | 103 | - | 103 | 95 | 124 | 135 | 138 | | | | | | | |
| Gearbox size | Gearbox | | | | | | | | Overall length | | | | | | | | | | |
| | o | o ₁ * | p* | h | h ₁ | a | k _g | q | k | | | | | | | | | | |
| 04 | 203 | 196 | 171 | 100 | 71 | 20 | 38 | 90.5 | 423 | 458 | 432 | 467 | 502 | 475 | 483 | | | | |
| 05 | 232 | 230 | 205 | 125 | 80 | 23 | 40 | 103 | 443 | 478 | 452 | 487 | 522 | 495 | 503 | 553 | | | |
| 06 | 291 | 277 | 250 | 150 | 100 | 28 | 49 | 121 | 499 | 534 | 508 | 543 | 578 | 551 | 559 | 609 | 648 | | |
| 07 | 354 | 351 | 310 | 190 | 120 | 34 | 65 | 155 | 555 | 590 | 564 | 599 | 634 | 607 | 615 | 665 | 704 | 773 | 851 |
| 09 | 429 | 416 | 386 | 236 | 150 | 41 | 69 | 180 | | | | | | | | 736 | 775 | 844 | 922 |
| 11 | 527 | 505 | 485 | 300 | 185 | 54 | 70 | 205 | | | | | | | | 827 | 866 | 935 | 1013 |
| 14 | 636 | 604 | 605 | 375 | 230 | 67 | 71 | 235 | | | | | | | | | | 1034 | 1112 |

| Gearbox size | d | l | l ₁ | Solid shaft | | | | Output flange | | | | | | | |
|--------------|-----|-----|----------------|----------------|----------------|----|------|----------------|----------------------|----------------|----------------|----------------|----------------|----------------------|--|
| | | | | l ₂ | d ₂ | u | t | a ₂ | b ₂ j7 | c ₂ | e ₂ | f ₂ | i ₂ | s ₂ | |
| 04 | 25 | 50 | 4 | 40 | M10 | 8 | 28 | 160 | 110 | 10 | 130 | 3.5 | 50 | 4 x 9 | |
| 05 | 30 | 60 | 6 | 45 | M10 | 8 | 33 | 200 | 130 | 12 | 165 | 3.5 | 60 | 4 x 11 | |
| 06 | 40 | 80 | 7 | 63 | M16 | 12 | 43 | 250 | 180 | 15 | 215 | 4 | 80 | 4 x 14 | |
| 07 | 50 | 100 | 8 | 80 | M16 | 14 | 53.5 | 250 300 | 180 230 | 15 17 | 215 265 | 4 | 100 | 4 x 14 | |
| 09 | 60 | 120 | 8 | 100 | M20 | 18 | 64 | 350 | 250 | 18 | 300 | 4 | 120 | 4 x 17.5 | |
| 11 | 80 | 160 | 15 | 125 | M20 | 22 | 85 | 400 450 | 300 350 | 20 22 | 350 400 | 5 | 160 | 4 x 17.5 8 x 17.5 | |
| 14 | 100 | 200 | 18 | 160 | M24 | 28 | 106 | 450 | 350 | 22 | 400 | 5 | 200 | 8 x 17.5 | |

Dimensions in [mm]

d ≤ 50 mm: k6
d > 50 mm: m6

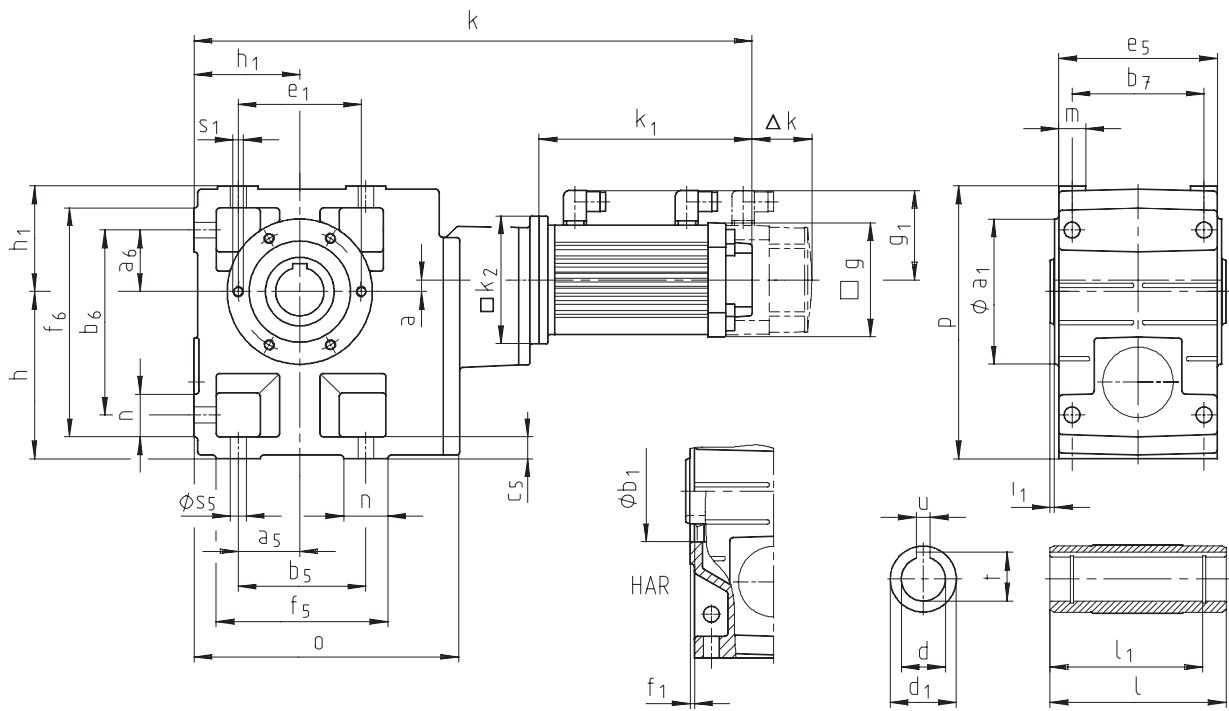
* Observe dimension k₂

** See page 8-34 for more built-on accessories for motors

Dimensions - Helical-bevel gearboxes

Geared servo motors with resolver

GKS□□ - 4 $\frac{A}{S}$ H□R



Dimensions - Helical-bevel gearboxes

Geared servo motors with resolver

| Geared servo motor | | S (synchronous servo motors) | | | | | A (asynchronous servo motors) | | | | | | | | | | |
|------------------------------|-------------------------------------|------------------------------|-----|-----|----------------|-----|-------------------------------|-----|-----|-----|-----|-----|-----|------|------|------|------|
| GKS□□ - 4 ^A S H□R | | 056 | | 071 | | | 056 | 071 | 080 | 090 | 100 | 112 | | | | | |
| | | C23 | C33 | C03 | C13 | C33 | C22 | C22 | C22 | C22 | C22 | C22 | | | | | |
| Motor | g | 102 | 102 | 131 | 131 | 131 | 102 | 131 | 142 | 165 | 192 | 214 | | | | | |
| | g ₁ | 90 | 90 | 102 | 102 | 102 | 90 | 102 | 109 | 118 | 136 | 147 | | | | | |
| | k ₂ | 145 | 145 | 145 | 145 | 145 | 145 | 145 | 180 | 180 | 222 | 265 | | | | | |
| | k ₁ naturally ventilated | 207 | 242 | 215 | 250 | 285 | 258 | 267 | 307 | 346 | 408 | 479 | | | | | |
| | Δk** forced ventilated+brake | 27 | 27 | 35 | 35 | 35 | 25 | 35 | 33 | 35 | 38 | 42 | | | | | |
| | forced ventilated | - | - | 68 | 68 | 68 | - | 68 | 62 | 89 | 97 | 96 | | | | | |
| | forced ventilated+brake- | | - | 103 | 103 | 103 | - | 103 | 95 | 124 | 135 | 138 | | | | | |
| Gearbox size | Gearbox | | | | | | Overall length | | | | | | | | | | |
| | o | l* | p* | h | h ₁ | a | k | | | | | | | | | | |
| 05 | 226 | 140 | 205 | 125 | 80 | 13 | 520 | 555 | 528 | 563 | 598 | 571 | 580 | | | | |
| 06 | 288 | 160 | 250 | 150 | 100 | 8 | 593 | 628 | 601 | 636 | 671 | 644 | 653 | | | | |
| 07 | 351 | 200 | 310 | 190 | 120 | 11 | 660 | 695 | 668 | 703 | 738 | 711 | 720 | 770 | | | |
| 09 | 426 | 240 | 386 | 236 | 150 | 15 | 749 | 784 | 757 | 792 | 827 | 800 | 809 | 859 | 898 | | |
| 11 | 523 | 290 | 485 | 300 | 185 | 16 | 859 | 894 | 867 | 902 | 937 | 910 | 919 | 969 | 1008 | 1076 | 1155 |
| 14 | 632 | 350 | 605 | 375 | 230 | 22 | | | | | | | | 1102 | 1141 | 1209 | 1288 |

| Gearbox size | Hollow shaft | | | | | | Pitch circle | | | | | | Foot | | | | | | | | | | | |
|--------------|--------------|-----|----------------|----------------|----------|--------------|----------------|-------------------|----------------|----------------|----------------|----------------|----------------|----------------|----------------|----------------|----------------|----------------|----------------|----------------|----------------|----|----|----------------|
| | d H7 | l | d ₁ | l ₁ | u JS9 | t +0.2 | a ₁ | b ₁ H7 | e ₁ | f ₁ | i ₁ | s ₁ | a ₅ | a ₆ | b ₅ | b ₆ | b ₇ | c ₅ | e ₅ | f ₅ | f ₆ | n | m | s ₅ |
| 05 | 30 35 | 140 | 50 | 124 | 8 10 | 33.3 38.3 | 118 | 80 | 100 | 4 | 4 | M8x15 | 47.5 | 47.5 | 115 | 140 | 105 | 17 | 127 | 144 | 169 | 29 | 21 | 11 |
| 06 | 40 45 | 160 | 65 | 140 | 12 14 | 43.3 48.8 | 140 | 100 | 120 | 4 | 5 | M10x16 | 60 | 60 | 155 | 170 | 120 | 20 | 145 | 191 | 206 | 36 | 23 | 14 |
| 07 | 50 55 | 200 | 75 | 175 | 14 16 | 53.8 59.3 | 165 | 115 | 140 | 5 | 5 | M12x18 | 70 | 70 | 190 | 210 | 150 | 25 | 180 | 235 | 255 | 45 | 28 | 18 |
| 09 | 60 70 | 240 | 95 | 210 | 18 20 | 64.4 74.9 | 205 | 145 | 175 | 6 | 5 | M16x24 | 90 | 90 | 240 | 266 | 185 | 30 | 222 | 300 | 326 | 60 | 37 | 22 |
| 11 | 70 80 | 290 | 105 | 250 | 20 22 | 74.9 85.4 | 240 | 140 | 205 | 6 | 6 | M20x32 | 105 | 105 | 290 | 325 | 225 | 40 | 270 | 363 | 398 | 73 | 43 | 26 |
| 14 | 100 | 350 | 135 | 305 | 28 | 106.4 | 290 | 170 | 250 | 6 | 7 | M24x35 | 135 | 135 | 360 | 415 | 275 | 50 | 328 | 442 | 497 | 82 | 52 | 33 |

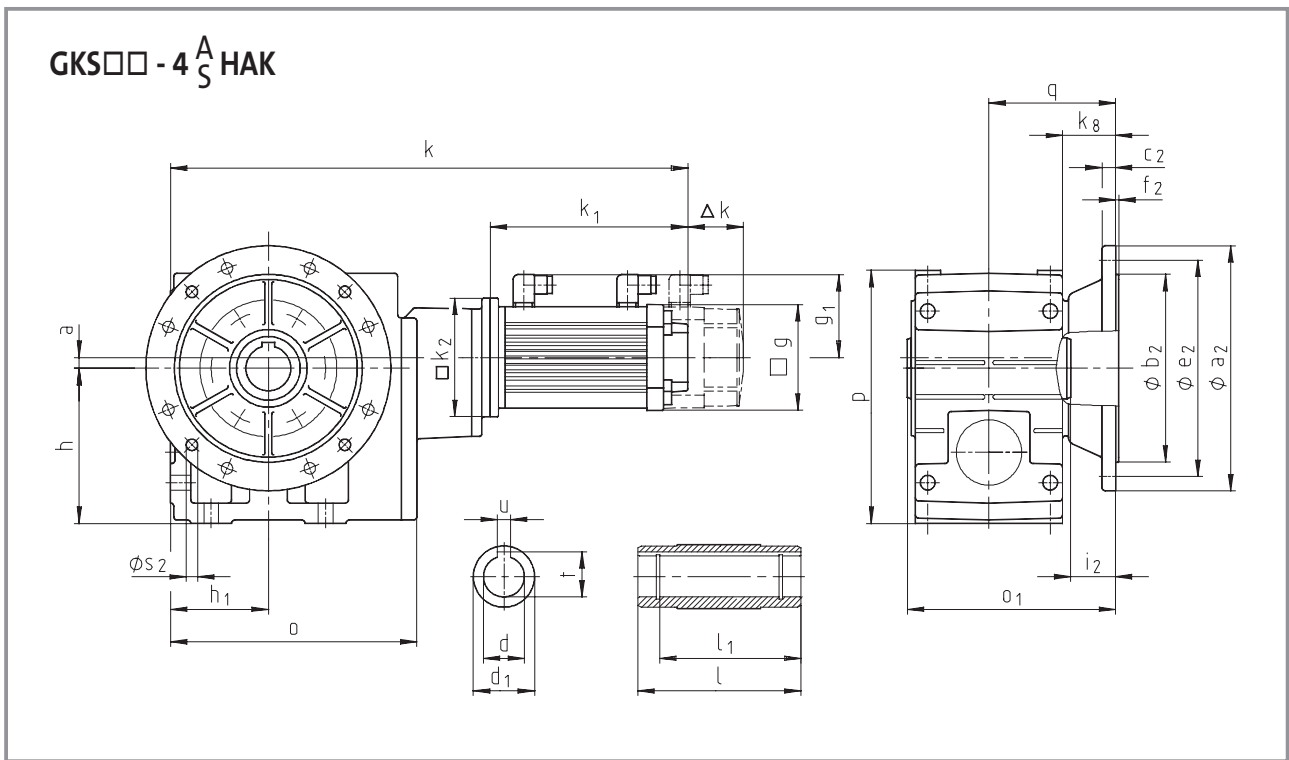
Dimensions in [mm]

* Observe dimension k₂.

** See page 8-34 for more built-on accessories for motors

Dimensions - Helical-bevel gearboxes

Geared servo motors with resolver



Dimensions - Helical-bevel gearboxes

Geared servo motors with resolver

| Geared servo motor | | S (synchronous servo motors) | | | | | A (asynchronous servo motors) | | | | | | | | | | | | |
|--------------------|-------------------------------------|------------------------------|-----|-----|----------------|-----|-------------------------------|-----|----------------|-----|-----|-----|-----|-----|-----|------|------|------|------|
| GKS□□ - 4 S HAK | | 056 | | 071 | | | 056 | 071 | 080 | 090 | 100 | 112 | | | | | | | |
| | | C23 | C33 | C03 | C13 | C33 | C22 | C22 | C22 | C22 | C22 | C22 | | | | | | | |
| Motor | g | 102 | 102 | 131 | 131 | 131 | 102 | 131 | 142 | 165 | 192 | 214 | | | | | | | |
| | g ₁ | 90 | 90 | 102 | 102 | 102 | 90 | 102 | 109 | 118 | 136 | 147 | | | | | | | |
| | k ₂ | 145 | 145 | 145 | 145 | 145 | 145 | 145 | 180 | 180 | 222 | 265 | | | | | | | |
| | k ₁ naturally ventilated | 207 | 242 | 215 | 250 | 285 | 258 | 267 | 307 | 346 | 408 | 479 | | | | | | | |
| | Δk** forced ventilated+brake | 27 | 27 | 35 | 35 | 35 | 25 | 35 | 33 | 35 | 38 | 42 | | | | | | | |
| | forced ventilated | - | - | 68 | 68 | 68 | - | 68 | 62 | 89 | 97 | 96 | | | | | | | |
| | forced ventilated+brake | - | - | 103 | 103 | 103 | - | 103 | 95 | 124 | 135 | 138 | | | | | | | |
| Gearbox size | Gearbox | | | | | | | | Overall length | | | | | | | | | | |
| | o | o ₁ * | p* | h | h ₁ | a | k _g | q | k | | | | | | | | | | |
| 05 | 226 | 173 | 205 | 125 | 80 | 13 | 40 | 103 | 520 | 555 | 528 | 563 | 598 | 571 | 580 | | | | |
| 06 | 288 | 201 | 250 | 150 | 100 | 8 | 49 | 121 | 593 | 628 | 601 | 636 | 671 | 644 | 653 | | | | |
| 07 | 351 | 255 | 310 | 190 | 120 | 11 | 65 | 155 | 660 | 695 | 668 | 703 | 738 | 711 | 720 | 770 | | | |
| 09 | 426 | 300 | 386 | 236 | 150 | 15 | 69 | 180 | 749 | 784 | 757 | 792 | 827 | 800 | 809 | 859 | 898 | | |
| 11 | 523 | 350 | 485 | 300 | 185 | 16 | 70 | 205 | 859 | 894 | 867 | 902 | 937 | 910 | 919 | 969 | 1008 | 1076 | 1155 |
| 14 | 632 | 410 | 605 | 375 | 230 | 22 | 71 | 235 | | | | | | | | 1102 | 1141 | 1209 | 1288 |

| Gearbox size | Hollow shaft | | | | | | Output flange | | | | | | |
|--------------|--------------|-----|----------------|----------------|----------|--------------|----------------|----------------------|----------------|----------------|----------------|----------------|----------------------|
| | d H7 | l | d ₁ | l ₁ | u JS9 | t +0.2 | a ₂ | b ₂ j7 | c ₂ | e ₂ | f ₂ | i ₂ | s ₂ |
| 05 | 30 35 | 140 | 50 | 124 | 8 10 | 33.3 38.3 | 200 | 130 | 12 | 165 | 3.5 | 33 | 4 x 11 |
| 06 | 40 45 | 160 | 65 | 140 | 12 14 | 43.3 48.8 | 200 250 | 130 180 | 12 15 | 165 215 | 3.5 4 | 42 41 | 4 x 11 4 x 14 |
| 07 | 50 55 | 200 | 75 | 175 | 14 16 | 53.8 59.3 | 250 300 | 180 230 | 15 17 | 215 265 | 4 | 55 | 4 x 14 |
| 09 | 60 70 | 240 | 95 | 210 | 18 20 | 64.4 74.9 | 350 | 250 | 18 | 300 | 4 | 60 | 4 x 17.5 |
| 11 | 70 80 | 290 | 105 | 250 | 20 22 | 74.9 85.4 | 400 450 | 300 350 | 20 22 | 350 400 | 5 | 60 | 4 x 17.5 8 x 17.5 |
| 14 | 100 | 350 | 135 | 305 | 28 | 106.4 | 450 | 350 | 22 | 400 | 5 | 60 | 8 x 17.5 |

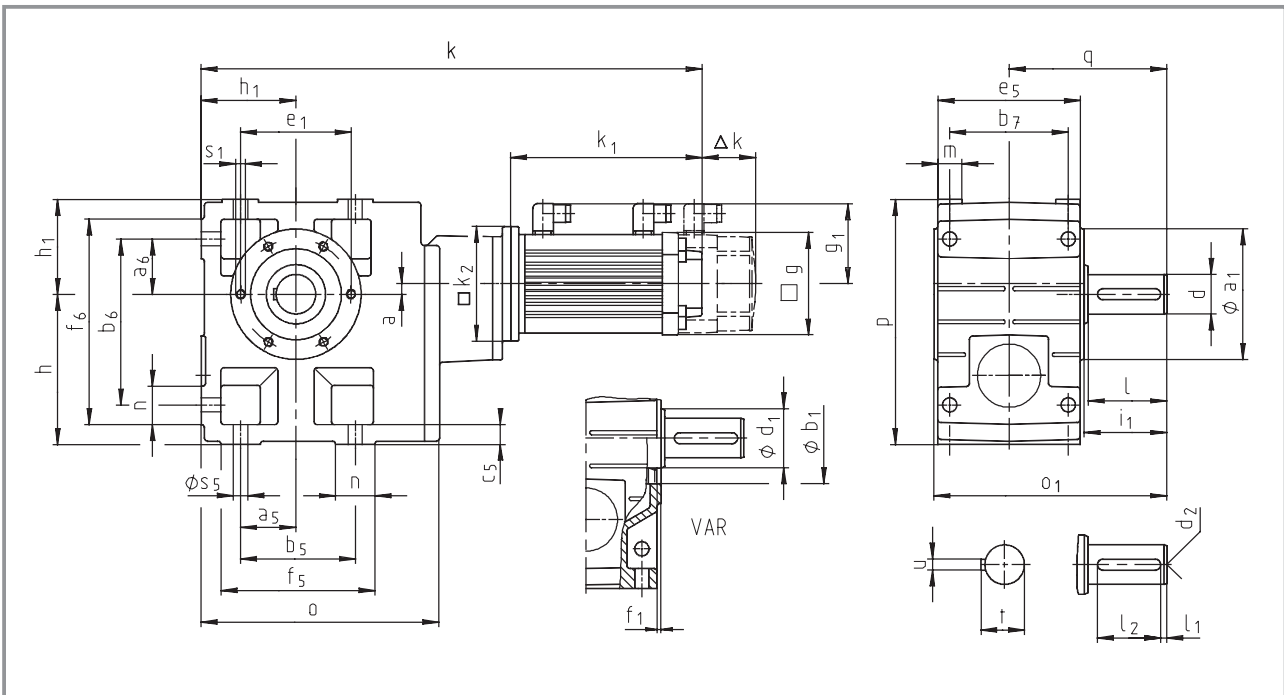
Dimensions in [mm]

* Observe dimension k₂.

** See page 8-34 for more built-on accessories for motors

Dimensions - Helical-bevel gearboxes

Geared servo motors with resolver



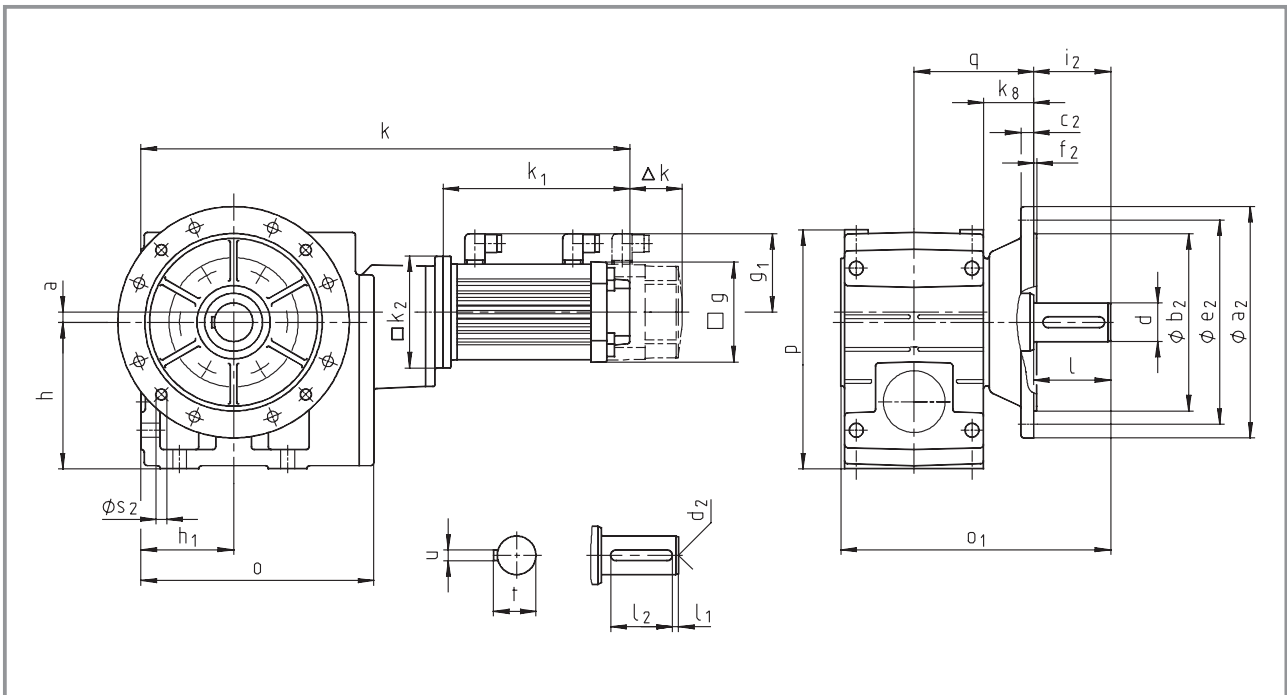
| Geared servo motor | | S (synchronous servo motors) | | | | | A (asynchronous servo motors) | | | | | | | | | | | | | | | | |
|---|-------------------------|------------------------------|-----|-----|----------------|-----|-------------------------------|------------------|-----|-----|-----|-----|-----|-----|------|------|------|------|--|--|--|--|--|
| GKS□□ - 4 ^A _S VOR | | 056 | | 071 | | | 056 | 071 | 080 | 090 | 100 | 112 | | | | | | | | | | | |
| | | C23 | C33 | C03 | C13 | C33 | C22 | C22 | C22 | C22 | C22 | C22 | | | | | | | | | | | |
| Motor | g | 102 | 102 | 131 | 131 | 131 | 102 | 131 | 142 | 165 | 192 | 214 | | | | | | | | | | | |
| | g ₁ | 90 | 90 | 102 | 102 | 102 | 90 | 102 | 109 | 118 | 136 | 147 | | | | | | | | | | | |
| | k ₂ | 145 | 145 | 145 | 145 | 145 | 145 | 145 | 180 | 180 | 222 | 265 | | | | | | | | | | | |
| | k ₁ | naturally ventilated | 207 | 242 | 215 | 250 | 285 | 258 | 267 | 307 | 346 | 408 | 479 | | | | | | | | | | |
| | Δk** | forced ventilated+brake | 27 | 27 | 35 | 35 | 35 | 25 | 35 | 33 | 35 | 38 | 42 | | | | | | | | | | |
| | forced ventilated | - | - | 68 | 68 | 68 | - | 68 | 62 | 89 | 97 | 96 | | | | | | | | | | | |
| | forced ventilated+brake | - | - | 103 | 103 | 103 | - | 103 | 95 | 124 | 135 | 138 | | | | | | | | | | | |
| Gearbox size | Gearbox | | | | | | | Overall length k | | | | | | | | | | | | | | | |
| | o | o ₁ * | p* | h | h ₁ | a | q | | | | | | | | | | | | | | | | |
| 05 | 226 | 197 | 205 | 125 | 80 | 13 | 130 | 520 | 555 | 528 | 563 | 598 | 571 | 580 | | | | | | | | | |
| 06 | 288 | 236 | 250 | 150 | 100 | 8 | 160 | 593 | 628 | 601 | 636 | 671 | 644 | 653 | | | | | | | | | |
| 07 | 351 | 296 | 310 | 190 | 120 | 11 | 200 | 660 | 695 | 668 | 703 | 738 | 711 | 720 | 770 | | | | | | | | |
| 09 | 426 | 356 | 386 | 236 | 150 | 15 | 240 | 749 | 784 | 757 | 792 | 827 | 800 | 809 | 859 | 898 | | | | | | | |
| 11 | 523 | 445 | 485 | 300 | 185 | 16 | 305 | 859 | 894 | 867 | 902 | 937 | 910 | 919 | 969 | 1008 | 1076 | 1155 | | | | | |
| 14 | 632 | 544 | 605 | 375 | 230 | 22 | 375 | | | | | | | | 1102 | 1141 | 1209 | 1288 | | | | | |

| Gearbox size | Solid shaft | | | | | | | | Pitch circle | | | | | Foot | | | | | | | | | | | | |
|--------------|-------------|-----|----------------|----------------|----------------|----------------|----|------|----------------|-------------------|----------------|----------------|----------------|----------------|----------------|----------------|----------------|----------------|----------------|----------------|----------------|----------------|----------------|----|----|----------------|
| | d | l | d ₁ | l ₁ | l ₂ | d ₂ | u | t | a ₁ | b ₁ H7 | e ₁ | f ₁ | i ₁ | s ₁ | a ₅ | a ₆ | b ₅ | b ₆ | b ₇ | c ₅ | e ₅ | f ₅ | f ₆ | n | m | s ₅ |
| 05 | 30 | 60 | 50 | 6 | 45 | M10 | 8 | 33 | 118 | 80 | 100 | 4 | 64 | M8x15 | 47.5 | 47.5 | 115 | 140 | 105 | 17 | 127 | 144 | 169 | 29 | 21 | 11 |
| 06 | 40 | 80 | 65 | 7 | 63 | M16 | 12 | 43 | 140 | 100 | 120 | 4 | 85 | M10x16 | 60 | 60 | 155 | 170 | 120 | 20 | 145 | 191 | 206 | 36 | 23 | 14 |
| 07 | 50 | 100 | 75 | 8 | 80 | M16 | 14 | 53.5 | 165 | 115 | 140 | 5 | 105 | M12x18 | 70 | 70 | 190 | 210 | 150 | 25 | 180 | 235 | 255 | 45 | 28 | 18 |
| 09 | 60 | 120 | 95 | 8 | 100 | M20 | 18 | 64 | 205 | 145 | 175 | 6 | 125 | M16x24 | 90 | 90 | 240 | 266 | 185 | 30 | 222 | 300 | 326 | 60 | 37 | 22 |
| 11 | 80 | 160 | 105 | 15 | 125 | M20 | 22 | 85 | 240 | 140 | 205 | 6 | 166 | M20x32 | 105 | 105 | 290 | 325 | 225 | 40 | 270 | 363 | 398 | 73 | 43 | 26 |
| 14 | 100 | 200 | 135 | 18 | 160 | M24 | 28 | 106 | 290 | 170 | 250 | 6 | 207 | M24x35 | 135 | 135 | 360 | 415 | 275 | 50 | 328 | 442 | 497 | 82 | 52 | 33 |

Dimensions in [mm] d ≤ 50 mm: k6 * Observe dimension k₂
 d > 50 mm: m6 ** See page 8-34 for more built-on accessories for motors

Dimensions - Helical-bevel gearboxes

Geared servo motors with resolver



| Geared servo motor | | S (synchronous servo motors) | | | | | A (asynchronous servo motors) | | | | | | | | | | | | |
|------------------------------|---|------------------------------|-------|-----|-------|-----|-------------------------------|-----|----------------|-----|-----|-----|-----|-----|-----|------|------|------|------|
| GKS□□ - 4 ^A S VAK | | 056 | | 071 | | | 056 | 071 | 080 | 090 | 100 | 112 | | | | | | | |
| | | C23 | C33 | C03 | C13 | C33 | C22 | C22 | C22 | C22 | C22 | C22 | | | | | | | |
| Motor | g | 102 | 102 | 131 | 131 | 131 | 102 | 131 | 142 | 165 | 192 | 214 | | | | | | | |
| | g_1 | 90 | 90 | 102 | 102 | 102 | 90 | 102 | 109 | 118 | 136 | 147 | | | | | | | |
| | k_2 | 145 | 145 | 145 | 145 | 145 | 145 | 145 | 180 | 180 | 222 | 265 | | | | | | | |
| | k_1 naturally ventilated | 207 | 242 | 215 | 250 | 285 | 258 | 267 | 307 | 346 | 408 | 479 | | | | | | | |
| | Δk^{**} forced ventilated+brake | 27 | 27 | 35 | 35 | 35 | 25 | 35 | 33 | 35 | 38 | 42 | | | | | | | |
| | | | | | | | | | | | | | | | | | | | |
| | forced ventilated | - | - | 68 | 68 | 68 | - | 68 | 62 | 89 | 97 | 96 | | | | | | | |
| | forced ventilated+brake | - | - | 103 | 103 | 103 | - | 103 | 95 | 124 | 135 | 138 | | | | | | | |
| Gearbox size | Gearbox | | | | | | | | Overall length | | | | | | | | | | |
| | o | o_1^* | p^* | h | h_1 | a | k_8 | q | k | | | | | | | | | | |
| 05 | 226 | 230 | 205 | 125 | 80 | 13 | 40 | 103 | 520 | 555 | 528 | 563 | 598 | 571 | 580 | | | | |
| 06 | 288 | 277 | 250 | 150 | 100 | 8 | 49 | 121 | 593 | 628 | 601 | 636 | 671 | 644 | 653 | | | | |
| 07 | 351 | 351 | 310 | 190 | 120 | 11 | 65 | 155 | 660 | 695 | 668 | 703 | 738 | 711 | 720 | 770 | | | |
| 09 | 426 | 416 | 386 | 236 | 150 | 15 | 69 | 180 | 749 | 784 | 757 | 792 | 827 | 800 | 809 | 859 | 898 | | |
| 11 | 523 | 505 | 485 | 300 | 185 | 16 | 70 | 205 | 859 | 894 | 867 | 902 | 937 | 910 | 919 | 969 | 1008 | 1076 | 1155 |
| 14 | 632 | 604 | 605 | 375 | 230 | 22 | 71 | 235 | | | | | | | | 1102 | 1141 | 1209 | 1288 |

| Gearbox size | Solid shaft | | | | | | | Output flange | | | | | | | |
|--------------|-------------|-----|-------|-------|-------|-----|------|---------------|-------------|----------|------------|-------|-------|----------------------|--|
| | d | l | l_1 | l_2 | d_2 | u | t | a_2 | b_2 j7 | c_2 | e_2 | f_2 | i_2 | s_2 | |
| 05 | 30 | 60 | 6 | 45 | M10 | 8 | 33 | 200 | 130 | 12 | 165 | 3.5 | 60 | 4 x 11 | |
| 06 | 40 | 80 | 7 | 63 | M16 | 12 | 43 | 250 | 180 | 15 | 215 | 4 | 80 | 4 x 14 | |
| 07 | 50 | 100 | 8 | 80 | M16 | 14 | 53.5 | 250 300 | 180 230 | 15 17 | 215 265 | 4 | 100 | 4 x 14 | |
| 09 | 60 | 120 | 8 | 100 | M20 | 18 | 64 | 350 | 250 | 18 | 300 | 4 | 120 | 4 x 17.5 | |
| 11 | 80 | 160 | 15 | 125 | M20 | 22 | 85 | 400 450 | 300 350 | 20 22 | 350 400 | 5 | 160 | 4 x 17.5 8 x 17.5 | |
| 14 | 100 | 200 | 18 | 160 | M24 | 28 | 106 | 450 | 350 | 22 | 400 | 5 | 200 | 8 x 17.5 | |

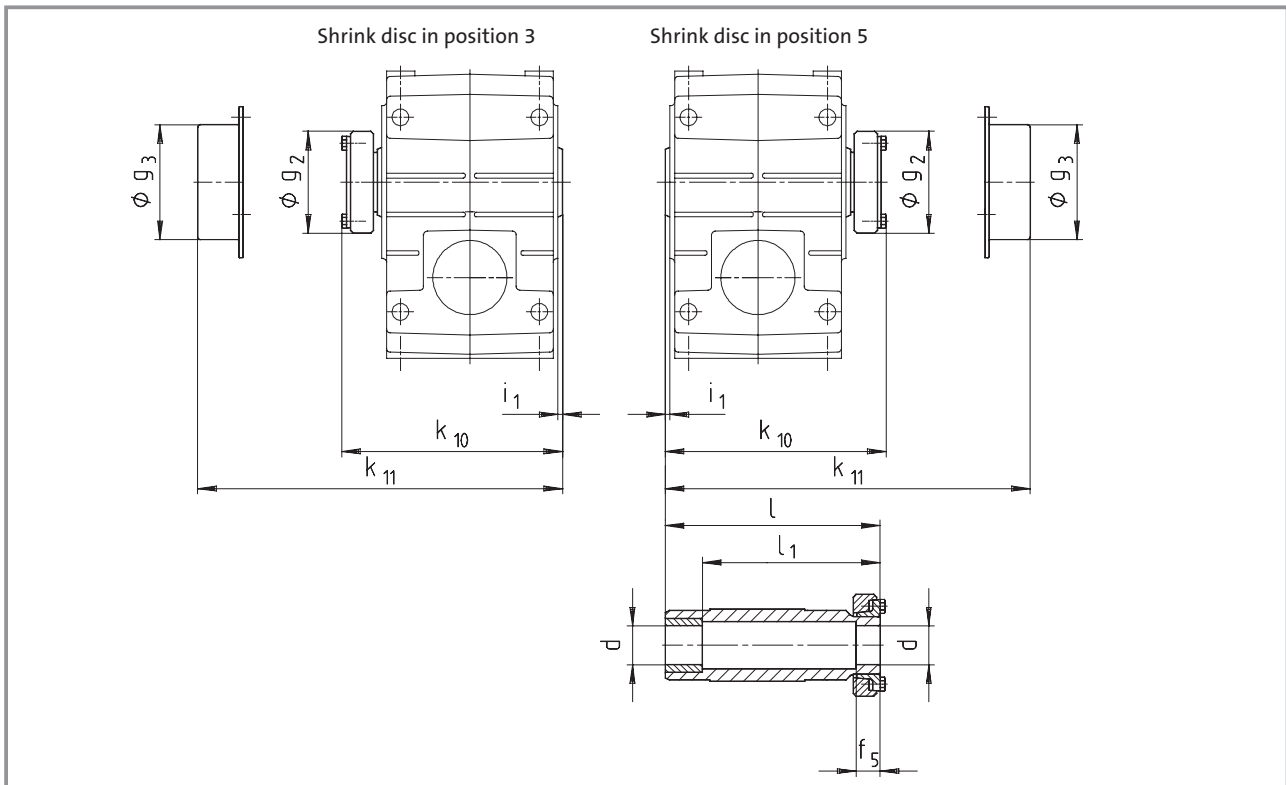
Dimensions in [mm]

$d \leq 50$ mm: k6
 $d > 50$ mm: m6

* Observe dimension k_2

** See page 8-34 for more built-on accessories for motors

Hollow shaft with Shrink disc

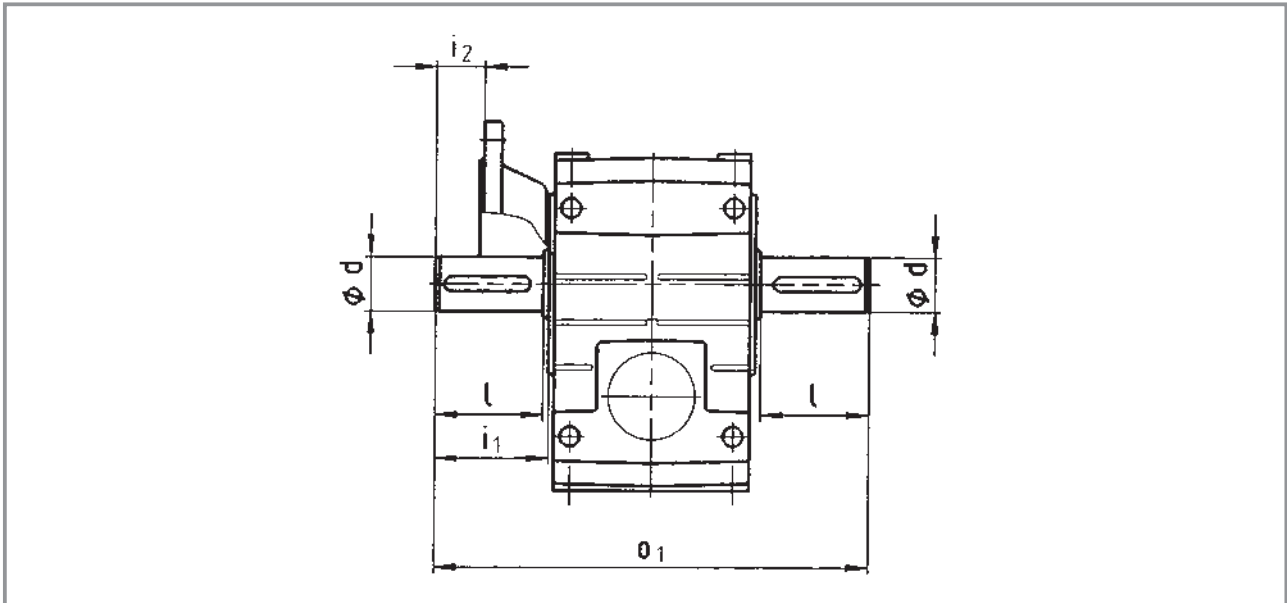


| Gearbox size | Machine shaft * | | Hollow shaft with shrink disc | | | | | | Cover | |
|--------------|-----------------|-----|-------------------------------|-------|----------|-----|-------|-------|-------|----------|
| | d | Fit | i_1 | g_2 | k_{10} | l | l_1 | f_5 | g_3 | k_{11} |
| 04 | 25 | h6 | 2.5 | 72 | 147.5 | 142 | 122 | 26 | 79 | 154 |
| | 30 | | | | | | | | | |
| 05 | 35 | h6 | 4 | 80 | 173.5 | 168 | 148 | 28 | 90 | 179 |
| 06 | 40 | h6 | 5 | 90 | 199.5 | 194 | 164 | 30 | 100 | 204 |
| 07 | 50 | h6 | 5 | 110 | 237.5 | 232 | 192 | 26 | 124 | 244 |
| 09 | 65 | h6 | 5 | 141 | 285 | 278 | 228 | 30 | 159 | 287 |
| 11 | 80 | h6 | 6 | 170 | 344 | 338 | 238 | 42 | 191 | 349 |
| 14 | 100 | h6 | 7 | 215 | 415 | 407 | 307 | 55 | 253 | 421 |

Dimensions in [mm]

*Ensure that the strength of the shaft material is adequate in shrink disc designs. When using typical steels (e.g. C45, 42CrMo4), the torques listed in the selection tables can be used without restriction. When using material that is considerably weaker, please consult with us. Medium surface roughness R_z must not exceed $15 \mu\text{m}$ (turning operation is sufficient).

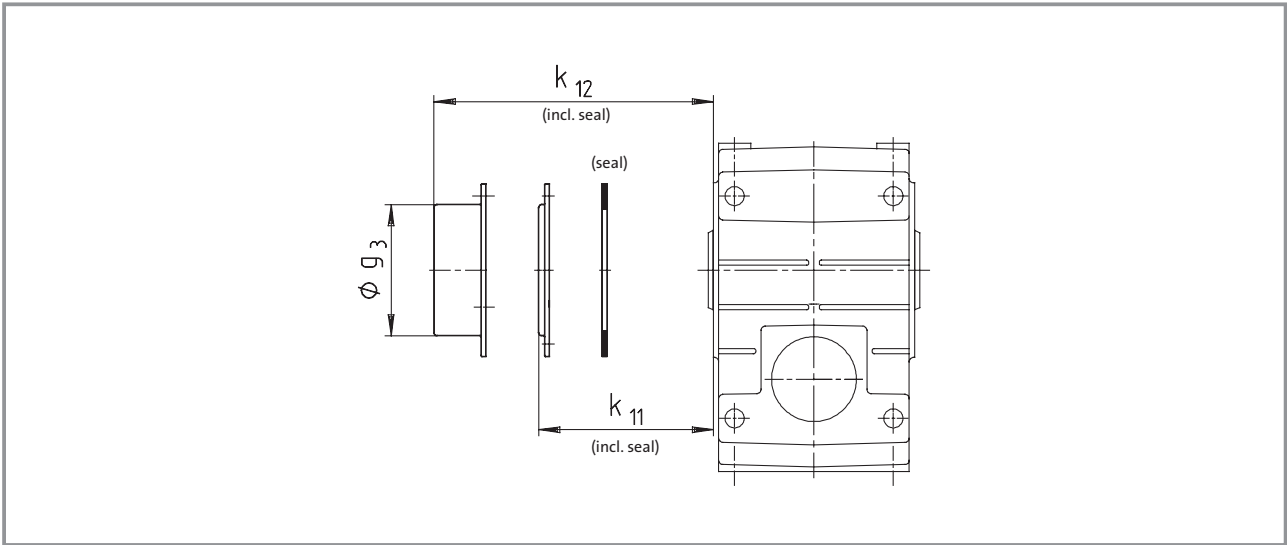
Gearbox with 2nd output shaft end



| Gearbox size | d | l | i ₁ | i ₂ | o ₁ |
|--------------|-----|-----|----------------|----------------|----------------|
| 04 | 25 | 50 | 52.5 | 17 | 215 |
| 05 | 30 | 60 | 64 | 27 | 260 |
| 06 | 40 | 80 | 85 | 39 | 320 |
| 07 | 50 | 100 | 105 | 45 | 400 |
| 09 | 60 | 120 | 125 | 60 | 480 |
| 11 | 80 | 160 | 166 | 100 | 610 |
| 14 | 100 | 200 | 207 | 140 | 750 |

Dimensions in [mm]

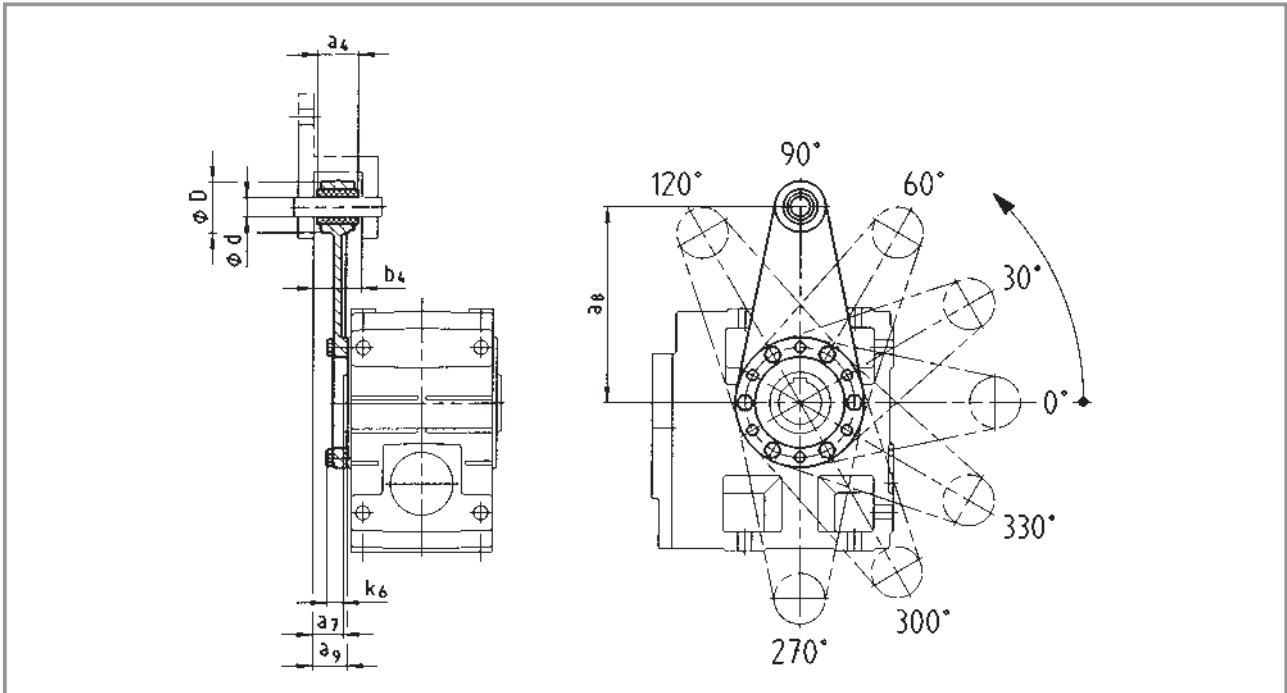
Hoseproof hollow shaft cover



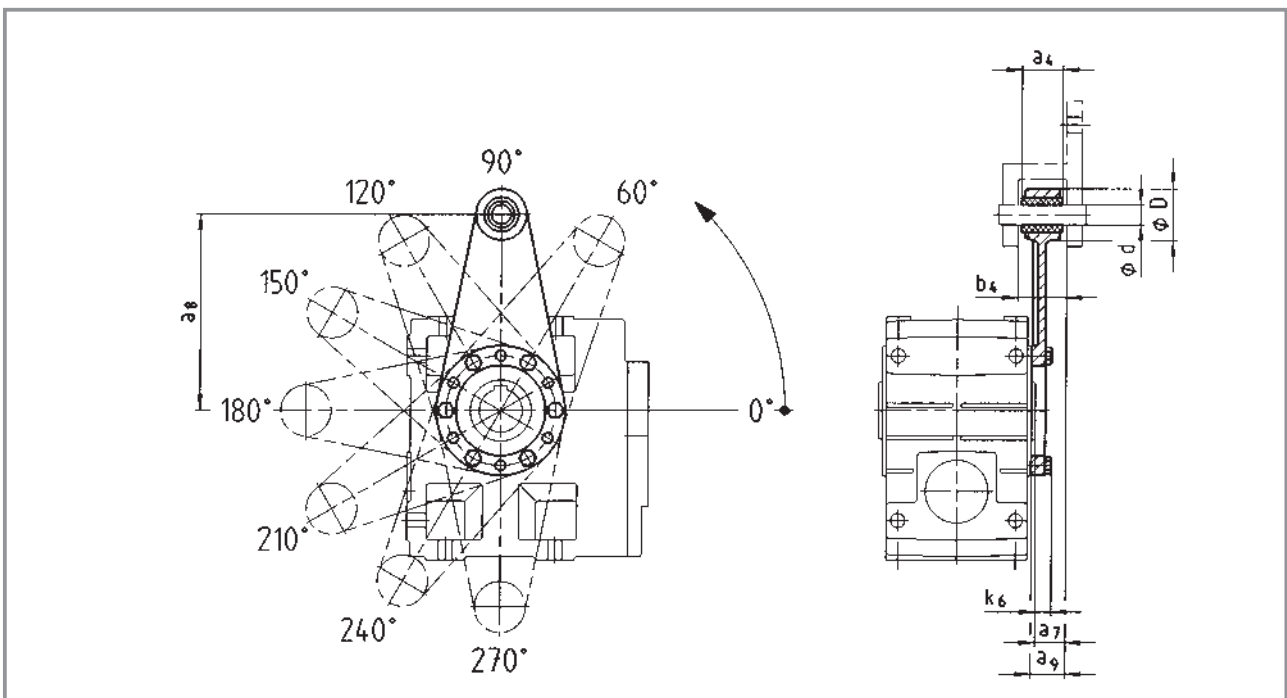
| Gearbox size | k_{11} | Cover k_{12} | g_3 |
|--------------|----------|----------------|-------|
| 04 | 9 | | |
| 05 | 10 | | |
| 06 | 11 | | |
| 07 | 11 | | |
| 09 | | 54 | 159 |
| 11 | | 67 | 191 |
| 14 | | 80 | 253 |

Dimensions in [mm]

Torque plate at pitch circle in position 3



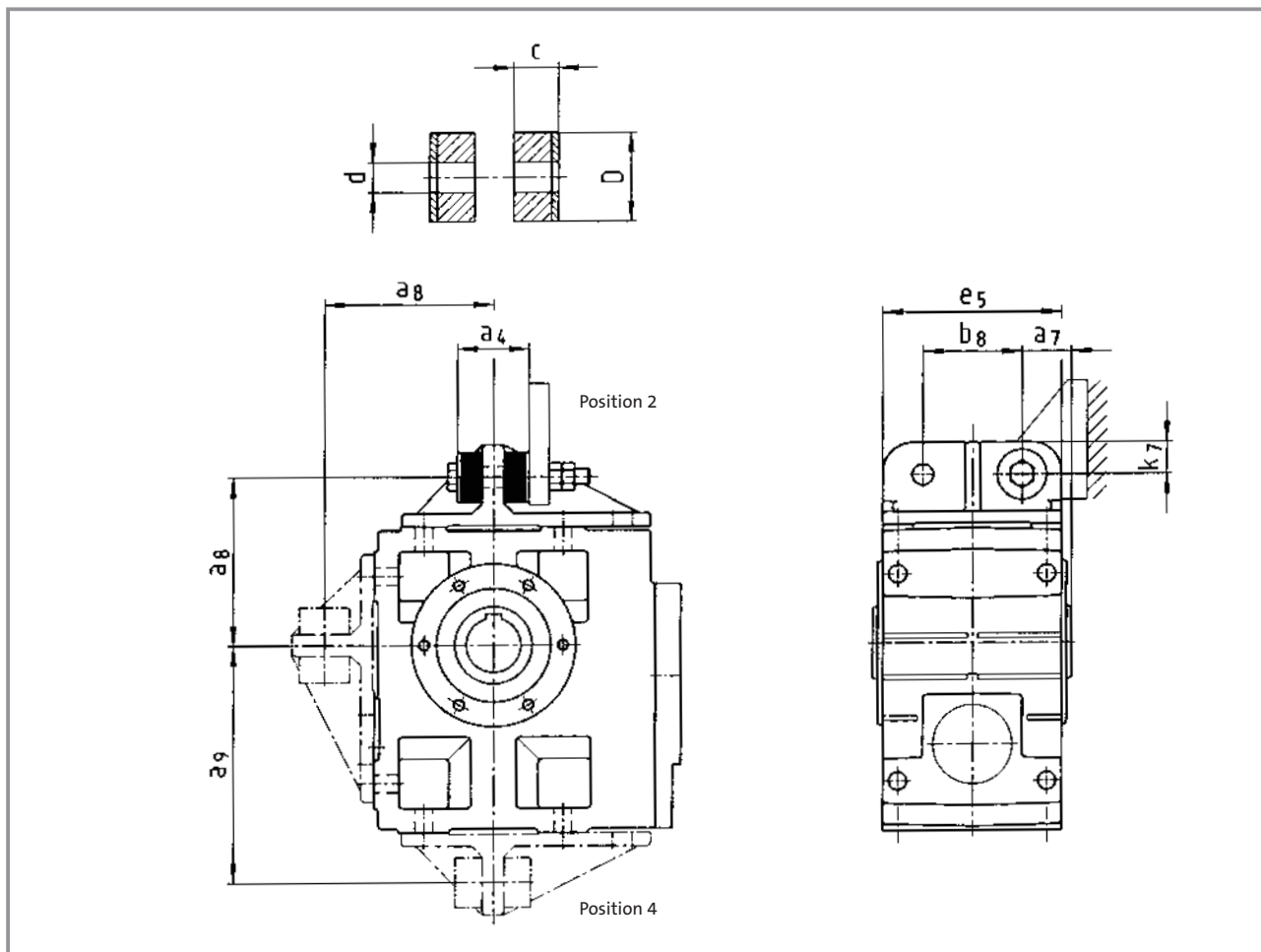
Torque plate at pitch circle in position 5



| Gearbox size | Assembly space | | Torque plate | | | | | | |
|--------------|----------------|-------|--------------|-------|-------|-----|-----|-------|--|
| | a_7 | b_4 | a_4 | a_8 | a_9 | d | D | k_6 | |
| 04 | 24 | 34.5 | 30 | 130 | 26.5 | 12 | 35 | 16 | |
| 05 | 23.5 | 38.5 | 34 | 160 | 27.5 | 16 | 45 | 15 | |
| 06 | 28 | 44.5 | 40 | 200 | 33 | 20 | 50 | 18 | |
| 07 | 32.5 | 50.5 | 46 | 250 | 37.5 | 25 | 65 | 21 | |

Dimensions in [mm]

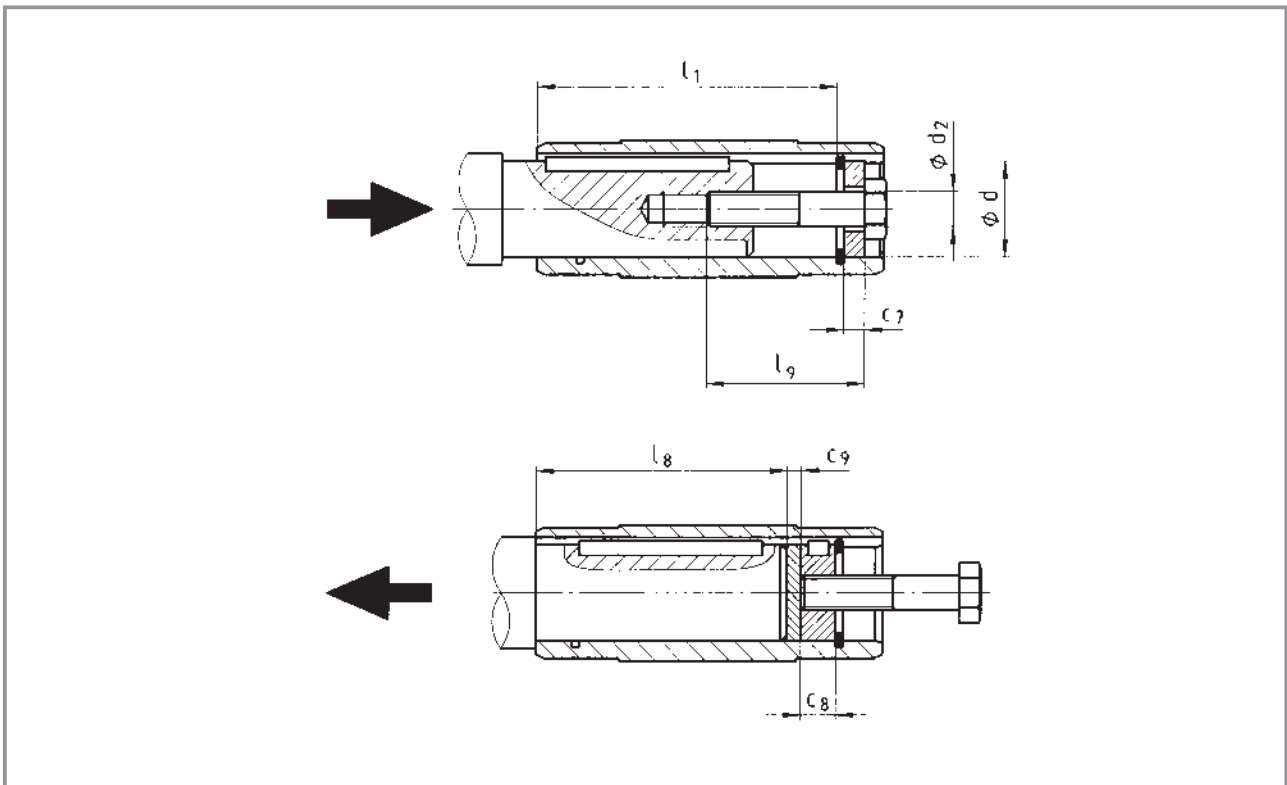
Torque plate on housing foot



| Gearbox size | a ₄ | a ₇ | a ₈ | a ₉ | b ₈ | c | d | D | e ₅ | k ₇ |
|--------------|----------------|----------------|----------------|----------------|----------------|------|----|-----|----------------|----------------|
| 04 | 41 | 27.5 | 106 | 135 | 60 | 14.5 | 11 | 30 | 100 | 20 |
| 05 | 45 | 35 | 115 | 160 | 70 | 15 | 13 | 40 | 127 | 25 |
| 06 | 72 | 40 | 145 | 195 | 80 | 27 | 17 | 50 | 145 | 28 |
| 07 | 78 | 50 | 170 | 240 | 100 | 28 | 21 | 60 | 180 | 35 |
| 09 | 86 | 60 | 214 | 300 | 120 | 29 | 26 | 72 | 222 | 46 |
| 11 | 94 | 72.5 | 260 | 375 | 145 | 30 | 33 | 92 | 270 | 55 |
| 14 | 100 | 85 | 320 | 465 | 180 | 30 | 39 | 110 | 328 | 70 |

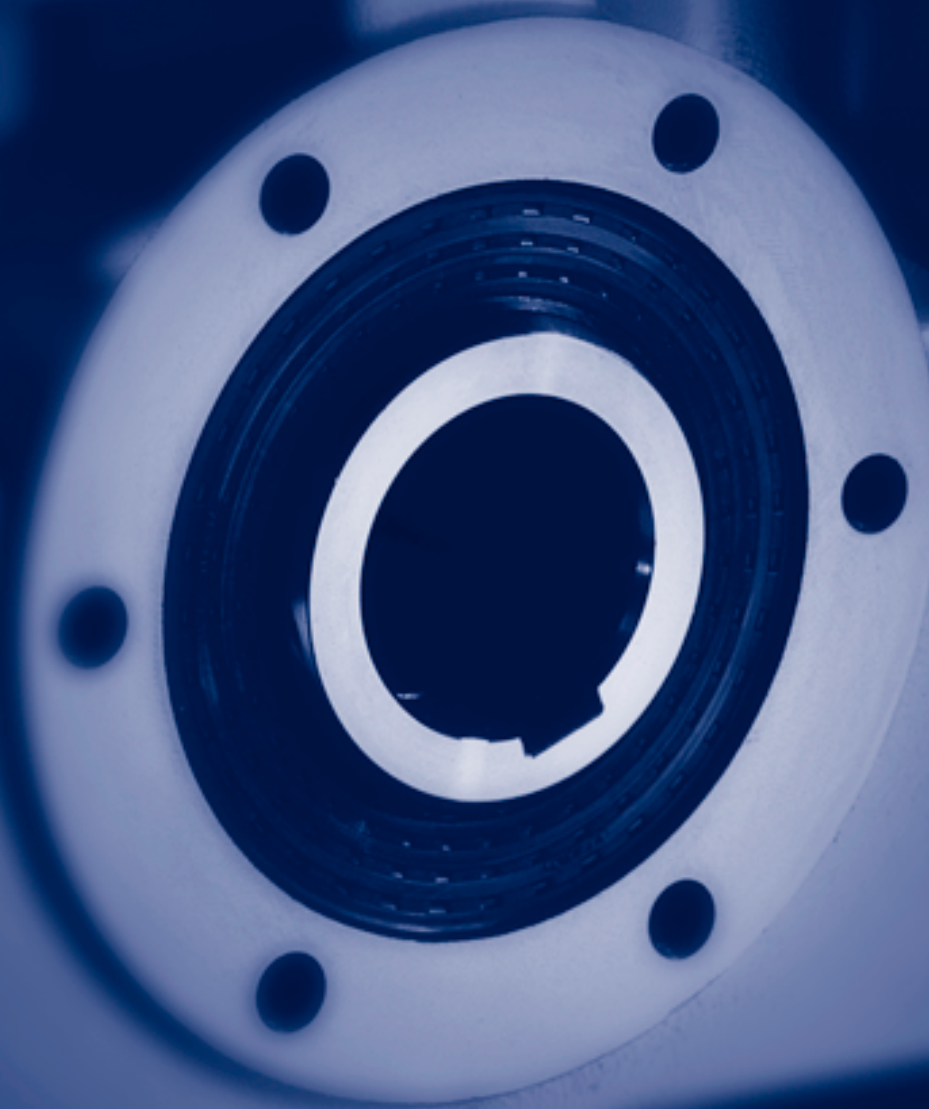
Dimensions in [mm]

Mounting set for hollow shaft circlip - Proposed design for auxiliary tools



| Gearbox size | Hollow shaft (design H) | | | Mounting set for hollow shaft circlip (mounting auxiliary tool) | | | Dismounting auxiliary tool | | Machine shaft max l_8 |
|--------------|-------------------------|-------|-----------|--|----------|----------|-------------------------------|-------|----------------------------|
| | l | l_1 | d H7 | d_2 | l_9 | c_7 | c_8 | c_9 | |
| 04 | 115 | 100 | 25 30 | M10 M10 | 40 | 5 6 | 10 | 3 | 85 |
| 05 | 140 | 124 | 30 35 | M10 M12 | 40 50 | 6 7 | 10 12 | 3 | 107 |
| 06 | 160 | 140 | 40 45 | M16 | 60 | 8 9 | 16 | 4 | 118 |
| 07 | 200 | 175 | 50 55 | M16 M20 | 60 80 | 10 11 | 16 20 | 5 | 148 |
| 09 | 240 | 210 | 60 70 | M20 | 80 | 13 14 | 20 | 5 | 182 |
| 11 | 290 | 250 | 70 80 | M20 | 80 | 14 16 | 20 | 6 | 221 |
| 14 | 350 | 305 | 100 | M24 | 100 | 20 | 24 | 8 | 270 |

Dimensions in [mm]



Technical data

| | |
|---------------------------------------|------|
| Permissible radial and axial forces - | |
| Output _____ | 7-2 |
| Start-up efficiency _____ | 7-4 |
| Ratios _____ | 7-5 |
| Ventilation _____ | 7-11 |
| Position of ventilation, sealing | |
| elements and oil control _____ | 7-11 |
| Weights _____ | 7-12 |

Selection tables

| | |
|--|------|
| Synchronous geared servo motors _____ | 7-13 |
| Naturally ventilated _____ | 7-13 |
| Forced ventilated _____ | 7-22 |
| Asynchronous geared servo motors _____ | 7-26 |
| Naturally ventilated _____ | 7-26 |
| Forced ventilated _____ | 7-39 |

Dimensions

| | |
|---|------|
| Geared servo motors with resolver _____ | 7-47 |
| 2-stage _____ | 7-47 |
| 3-stage _____ | 7-51 |
| Further dimensions _____ | 7-55 |
| Hollow shaft with shrink disc _____ | 7-55 |
| Gearbox with 2nd output shaft end _____ | 7-56 |
| Hoseproof hollow shaft cover _____ | 7-57 |
| Torque plate at pitch circle _____ | 7-58 |
| Torque plate at housing foot _____ | 7-59 |
| Mounting set for hollow shaft circlip _____ | 7-60 |
| Proposed design for auxiliary tools _____ | 7-60 |

Technical data - Helical-worm gearboxes

Permissible radial and axial forces - Output

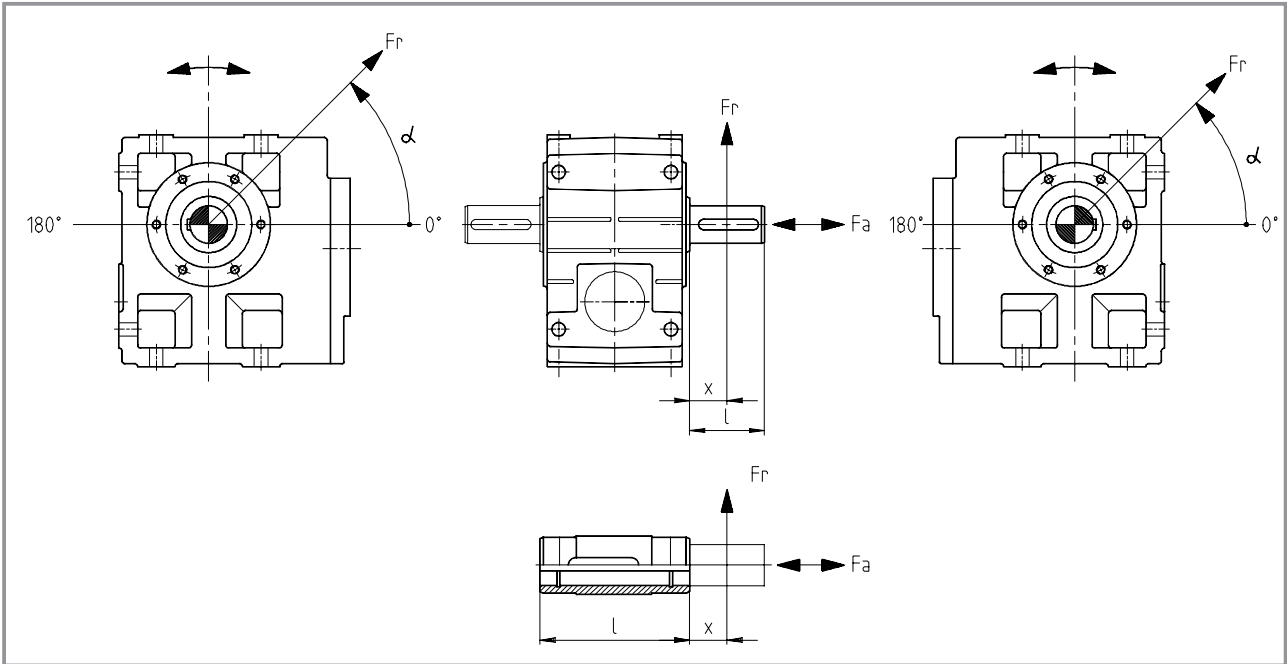
Permissible radial force

$$F_{rperm} = \min(f_w \cdot f_\alpha \cdot F_{rTab}; f_w \cdot F_{rmax})$$

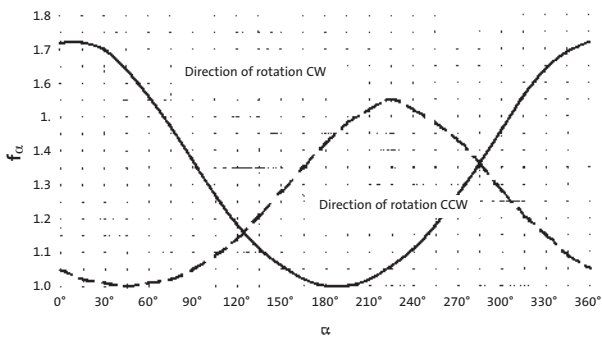
Permissible axial force

$$F_{aperm} = F_{aTab} \quad \text{at } F_r = 0$$

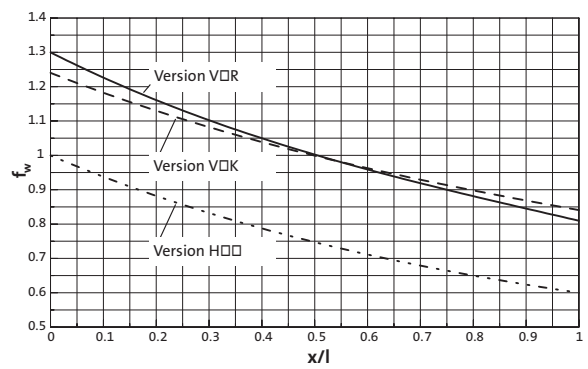
Contact Lenze if F_r and $F_a \neq 0$



f_α Effective direction factor at output shaft



f_w Additional load factor at output shaft



Technical data - Helical-worm gearboxes

Permissible radial and axial forces - Output



| VAK | Solid shaft with flange Application of force F_r : Centre of shaft journal ($x = l/2$) F_{aTab} only valid for $F_r = 0$ | | | | | | | |
|----------------|--|-------------------|-------------------|-------------------|-------------------|-------------------|-------------------|-------------------|
| | GSS 04 | | GSS 05 | | GSS 06 | | GSS 07 | |
| n_2 [rpm] | F_{rTab} [N] | F_{aTab} [N] | F_{rTab} [N] | F_{aTab} [N] | F_{rTab} [N] | F_{aTab} [N] | F_{rTab} [N] | F_{aTab} [N] |
| 250 | 4100 | 3500 | 4900 | 2500 | 7000 | 2800 | 7900 | 2400 |
| 160 | 4400 | 4000 | 4900 | 3100 | 8100 | 3500 | 9100 | 3200 |
| 100 | 4700 | 4200 | 4900 | 4000 | 9400 | 4500 | 10600 | 4300 |
| 63 | 4700 | 4200 | 4900 | 4900 | 9400 | 5700 | 12400 | 5900 |
| 40 | 4700 | 4200 | 4900 | 5500 | 9400 | 7300 | 14000 | 8000 |
| 25 | 4700 | 4200 | 4900 | 5500 | 9400 | 8800 | 14000 | 10000 |
| ≤16 | 4700 | 4200 | 4900 | 5500 | 9400 | 8800 | 10000 | 14000 |
| $F_{r max}$ | 4700 | – | 4900 | – | 9400 | – | 14000 | – |

| VOR | Solid shaft without flange Application of force F_r : Centre of shaft journal ($x = l/2$) F_{aTab} only valid for $F_r = 0$ | | | | | | | |
|----------------|---|-------------------|-------------------|-------------------|-------------------|-------------------|-------------------|-------------------|
| | GSS 04 | | GSS 05 | | GSS 06 | | GSS 07 | |
| n_2 [rpm] | F_{rTab} [N] | F_{aTab} [N] | F_{rTab} [N] | F_{aTab} [N] | F_{rTab} [N] | F_{aTab} [N] | F_{rTab} [N] | F_{aTab} [N] |
| 250 | 3000 | 3700 | 2900 | 2800 | 3600 | 3200 | 4200 | 3100 |
| 160 | 3500 | 4200 | 3400 | 3500 | 4200 | 4100 | 5100 | 4100 |
| 100 | 4100 | 4900 | 4000 | 4400 | 5000 | 5200 | 6300 | 5500 |
| 63 | 4200 | 5500 | 4300 | 5500 | 5900 | 6500 | 7700 | 7200 |
| 40 | 4200 | 5500 | 4300 | 6000 | 6900 | 8200 | 9300 | 9500 |
| 25 | 4200 | 5500 | 4300 | 6000 | 8200 | 9000 | 11300 | 12500 |
| ≤16 | 4200 | 5500 | 4300 | 6000 | 8500 | 9000 | 12000 | 12500 |
| $F_{r max}$ | 4200 | – | 4300 | – | 8500 | – | 12000 | – |

| H□□ | Hollow shaft Application of force F_r : At hollow shaft end face ($x = 0$) F_{aTab} only valid for $F_r = 0$ | | | | | | | |
|----------------|--|-------------------|-------------------|-------------------|-------------------|-------------------|-------------------|-------------------|
| | GSS 04 | | GSS 05 | | GSS 06 | | GSS 07 | |
| n_2 [rpm] | F_{rTab} [N] | F_{aTab} [N] | F_{rTab} [N] | F_{aTab} [N] | F_{rTab} [N] | F_{aTab} [N] | F_{rTab} [N] | F_{aTab} [N] |
| 250 | 3800 | 3700 | 3600 | 2800 | 4800 | 3200 | 5600 | 3100 |
| 160 | 4500 | 4200 | 4300 | 3500 | 5600 | 4100 | 6700 | 4100 |
| 100 | 5300 | 4900 | 5100 | 4400 | 6600 | 5200 | 8200 | 5500 |
| 63 | 6000 | 5500 | 6000 | 5500 | 7700 | 6500 | 10000 | 7200 |
| 40 | 6000 | 5500 | 7000 | 6000 | 9100 | 8200 | 12100 | 9500 |
| 25 | 6000 | 5500 | 7500 | 6000 | 10700 | 9000 | 14800 | 12500 |
| ≤16 | 6000 | 5500 | 7500 | 6000 | 11500 | 9000 | 16000 | 12500 |
| $F_{r max}$ | 6000 | – | 7500 | – | 11500 | – | 16000 | – |

Neither radial nor axial forces are permitted on hollow shafts with shrink discs (S□□).

Technical data - Helical-worm gearboxes

Start-up efficiency

During start-up, the start-up efficiency η_A of a helical-worm gearbox is lower than its operative efficiency η at rated speed.

The start-up efficiency η_A must therefore always be considered when starting under load.

The start-up efficiency is determined by the oil temperature and the degree to which the tooth faces have been run in.

The values given in the tables are theoretical values and are valid with a tolerance of $\pm 10\%$.

| Ratio i_r | Start-up efficiency η_A |
|----------------|---------------------------------|
| 5.6 | 0.71 |
| 8 | 0.71 |
| 9 | 0.67 |
| 10 | 0.71 |
| 11.2 | 0.71 |
| 12.5 | 0.67 |
| 14 | 0.71 |
| 16 | 0.67 |
| 18 | 0.67 |
| 20 | 0.55 |
| 22.4 | 0.67 |
| 25 | 0.55 |
| 28 | 0.67 |
| 31.5 | 0.55 |
| 35.5 | 0.67 |

| Ratio i_r | Start-up efficiency η_A |
|----------------|---------------------------------|
| 40 | 0.55 |
| 45 | 0.67 |
| 50 | 0.55 |
| 56 | 0.55 |
| 63 | 0.55 |
| 71 | 0.55 |
| 80 | 0.55 |
| 90 | 0.55 |
| 100 | 0.55 |
| 112 | 0.55 |
| 125 | 0.55 |
| 140 | 0.55 |
| 160 | 0.55 |
| 180 | 0.55 |
| 200 | 0.55 |



Calculation formula: $i_{exact} = \frac{\text{Numerator}}{\text{Denominator}}$

| Actual ratio | Numerator | Denominator |
|-------------------|-----------|-------------|
| GSS 04 - 2 | | |
| 5.639 | 1015 | 180 |
| 7.733 | 1160 | 150 |
| 9.042 | 1085 | 120 |
| 9.897 | 1247 | 126 |
| 10.827 | 1624 | 150 |
| 12.400 | 1240 | 100 |
| 13.810 | 1740 | 126 |
| 15.869 | 1333 | 84 |
| 17.360 | 1736 | 100 |
| 20.417 | 1225 | 60 |
| 22.143 | 1860 | 84 |
| 24.800 | 1240 | 50 |
| 27.125 | 1953 | 72 |
| 31.738 | 1333 | 42 |
| 34.100 | 2046 | 60 |
| 39.200 | 1960 | 50 |
| 43.917 | 2108 | 48 |
| 50.000 | 2100 | 42 |
| 54.250 | 1953 | 36 |
| 61.250 | 2205 | 36 |
| 68.200 | 2046 | 30 |
| 77.000 | 2310 | 30 |
| 87.833 | 2108 | 24 |
| 99.167 | 2380 | 24 |
| 111.318 | 2449 | 22 |
| 125.682 | 2765 | 22 |
| 139.500 | 2511 | 18 |
| 157.500 | 2835 | 18 |
| 183.786 | 2573 | 14 |
| 207.500 | 2905 | 14 |

Calculation formula: $i_{exact} = \frac{\text{Numerator}}{\text{Denominator}}$

| Actual ratio | Numerator | Denominator |
|-------------------|-----------|-------------|
| GSS 05 - 2 | | |
| 5.639 | 1015 | 180 |
| 7.733 | 1160 | 150 |
| 9.042 | 1085 | 120 |
| 9.897 | 1247 | 126 |
| 10.827 | 1624 | 150 |
| 12.400 | 1240 | 100 |
| 13.810 | 1740 | 126 |
| 15.869 | 1333 | 84 |
| 17.360 | 1736 | 100 |
| 20.417 | 1225 | 60 |
| 22.143 | 1860 | 84 |
| 24.800 | 1240 | 50 |
| 27.125 | 1953 | 72 |
| 31.738 | 1333 | 42 |
| 35.306 | 2542 | 72 |
| 39.200 | 1960 | 50 |
| 43.917 | 2108 | 48 |
| 50.000 | 2100 | 42 |
| 54.250 | 1953 | 36 |
| 61.250 | 2205 | 36 |
| 70.611 | 2542 | 36 |
| 79.722 | 2870 | 36 |
| 87.833 | 2108 | 24 |
| 99.167 | 2380 | 24 |
| 113.667 | 2728 | 24 |
| 128.333 | 3080 | 24 |
| 137.950 | 2759 | 20 |
| 155.750 | 3115 | 20 |
| 176.313 | 2821 | 16 |
| 199.063 | 3185 | 16 |

| | | |
|-------------------|--------|------|
| GSS 05 - 3 | | |
| 125.476 | 126480 | 1008 |
| 153.708 | 132804 | 864 |
| 193.233 | 139128 | 720 |
| 222.133 | 133280 | 600 |
| 250.952 | 126480 | 504 |
| 283.333 | 142800 | 504 |
| 307.417 | 132804 | 432 |
| 347.083 | 149940 | 432 |
| 386.467 | 139128 | 360 |
| 436.333 | 157080 | 360 |
| 497.722 | 143344 | 288 |
| 561.944 | 161840 | 288 |
| 630.803 | 166532 | 264 |
| 712.197 | 188020 | 264 |
| 790.500 | 170748 | 216 |
| 892.500 | 192780 | 216 |
| 1041.452 | 174964 | 168 |
| 1175.833 | 197540 | 168 |



Calculation formula: $i_{exact} = \frac{\text{Numerator}}{\text{Denominator}}$

| Actual ratio | Numerator | Denominator |
|-------------------|-----------|-------------|
| GSS 06 - 2 | | |
| 5.833 | 1050 | 180 |
| 8.000 | 1200 | 150 |
| 9.042 | 1085 | 120 |
| 10.238 | 1290 | 126 |
| 11.200 | 1680 | 150 |
| 12.400 | 1240 | 100 |
| 14.286 | 1800 | 126 |
| 15.869 | 1333 | 84 |
| 17.360 | 1736 | 100 |
| 20.417 | 1225 | 60 |
| 22.143 | 1860 | 84 |
| 24.800 | 1240 | 50 |
| 27.125 | 1953 | 72 |
| 31.738 | 1333 | 42 |
| 35.306 | 2542 | 72 |
| 39.200 | 1960 | 50 |
| 43.917 | 2108 | 48 |
| 50.000 | 2100 | 42 |
| 54.250 | 1953 | 36 |
| 61.250 | 2205 | 36 |
| 70.611 | 2542 | 36 |
| 79.722 | 2870 | 36 |
| 87.833 | 2108 | 24 |
| 99.167 | 2380 | 24 |
| 113.667 | 2728 | 24 |
| 128.333 | 3080 | 24 |
| 137.950 | 2759 | 20 |
| 155.750 | 3115 | 20 |
| 174.375 | 2790 | 16 |
| 196.875 | 3150 | 16 |

Calculation formula: $i_{exact} = \frac{\text{Numerator}}{\text{Denominator}}$

| Actual ratio | Numerator | Denominator |
|-------------------|-----------|-------------|
| GSS 06 - 3 | | |
| 126.531 | 111600 | 882 |
| 142.857 | 126000 | 882 |
| 155.000 | 117180 | 756 |
| 175.000 | 132300 | 756 |
| 194.857 | 122760 | 630 |
| 220.000 | 138600 | 630 |
| 238.700 | 128898 | 540 |
| 269.500 | 145530 | 540 |
| 310.689 | 167772 | 540 |
| 350.778 | 189420 | 540 |
| 386.467 | 139128 | 360 |
| 436.333 | 157080 | 360 |
| 497.722 | 143344 | 288 |
| 561.944 | 161840 | 288 |
| 630.803 | 166532 | 264 |
| 712.197 | 188020 | 264 |
| 816.333 | 215512 | 264 |
| 921.667 | 243320 | 264 |
| 1023.000 | 220968 | 216 |
| 1155.000 | 249480 | 216 |
| 1241.550 | 223479 | 180 |
| 1401.750 | 252315 | 180 |
| 1635.693 | 228997 | 140 |
| 1846.750 | 258545 | 140 |



Calculation formula: $i_{exact} = \frac{\text{Numerator}}{\text{Denominator}}$

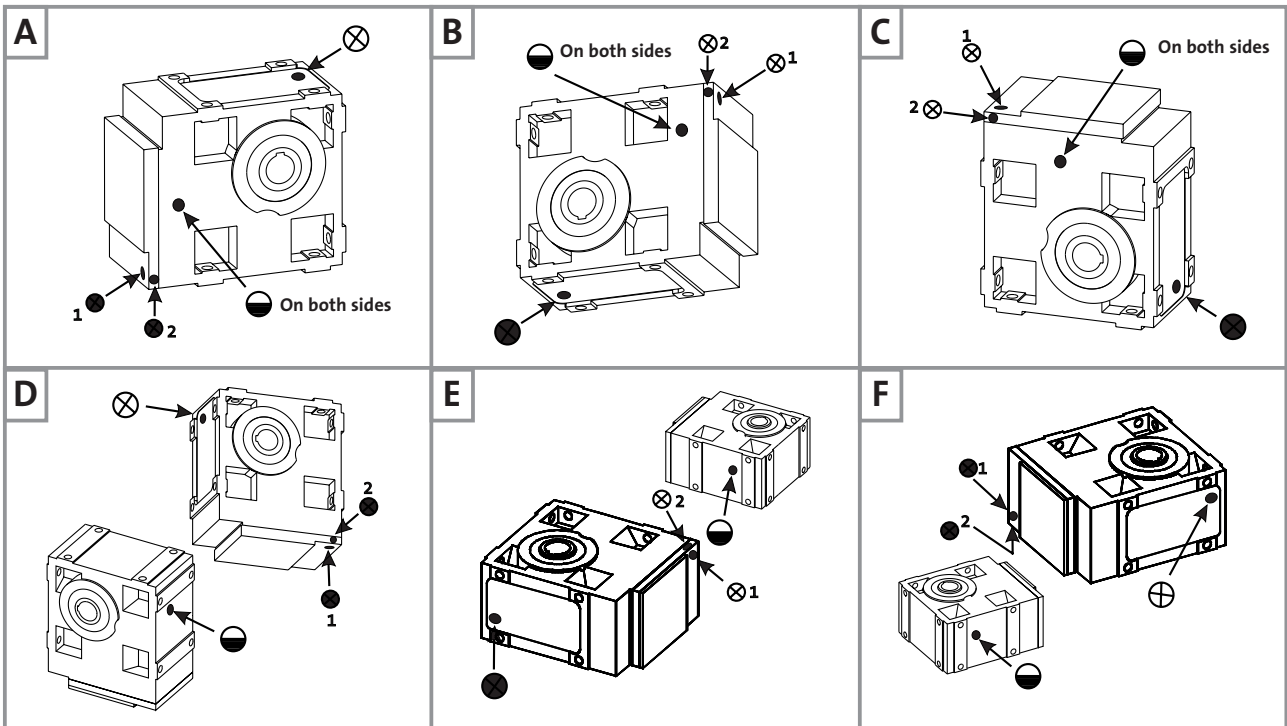
| Actual ratio | Numerator | Denominator |
|-------------------|-----------|-------------|
| GSS 07 - 2 | | |
| 5.862 | 1020 | 174 |
| 8.125 | 1170 | 144 |
| 9.086 | 1054 | 116 |
| 10.000 | 1260 | 126 |
| 11.200 | 1680 | 150 |
| 12.594 | 1209 | 96 |
| 14.286 | 1800 | 126 |
| 15.500 | 1302 | 84 |
| 17.360 | 1736 | 100 |
| 20.517 | 1190 | 58 |
| 22.143 | 1860 | 84 |
| 25.188 | 1209 | 48 |
| 27.125 | 1953 | 72 |
| 31.000 | 1302 | 42 |
| 35.306 | 2542 | 72 |
| 39.200 | 1960 | 50 |
| 43.271 | 2077 | 48 |
| 50.000 | 2100 | 42 |
| 54.250 | 1953 | 36 |
| 61.250 | 2205 | 36 |
| 70.611 | 2542 | 36 |
| 79.722 | 2870 | 36 |
| 86.542 | 2077 | 24 |
| 97.708 | 2345 | 24 |
| 113.667 | 2728 | 24 |
| 128.333 | 3080 | 24 |
| 137.950 | 2759 | 20 |
| 155.750 | 3115 | 20 |
| 174.375 | 2790 | 16 |
| 196.875 | 3150 | 16 |

Calculation formula: $i_{exact} = \frac{\text{Numerator}}{\text{Denominator}}$

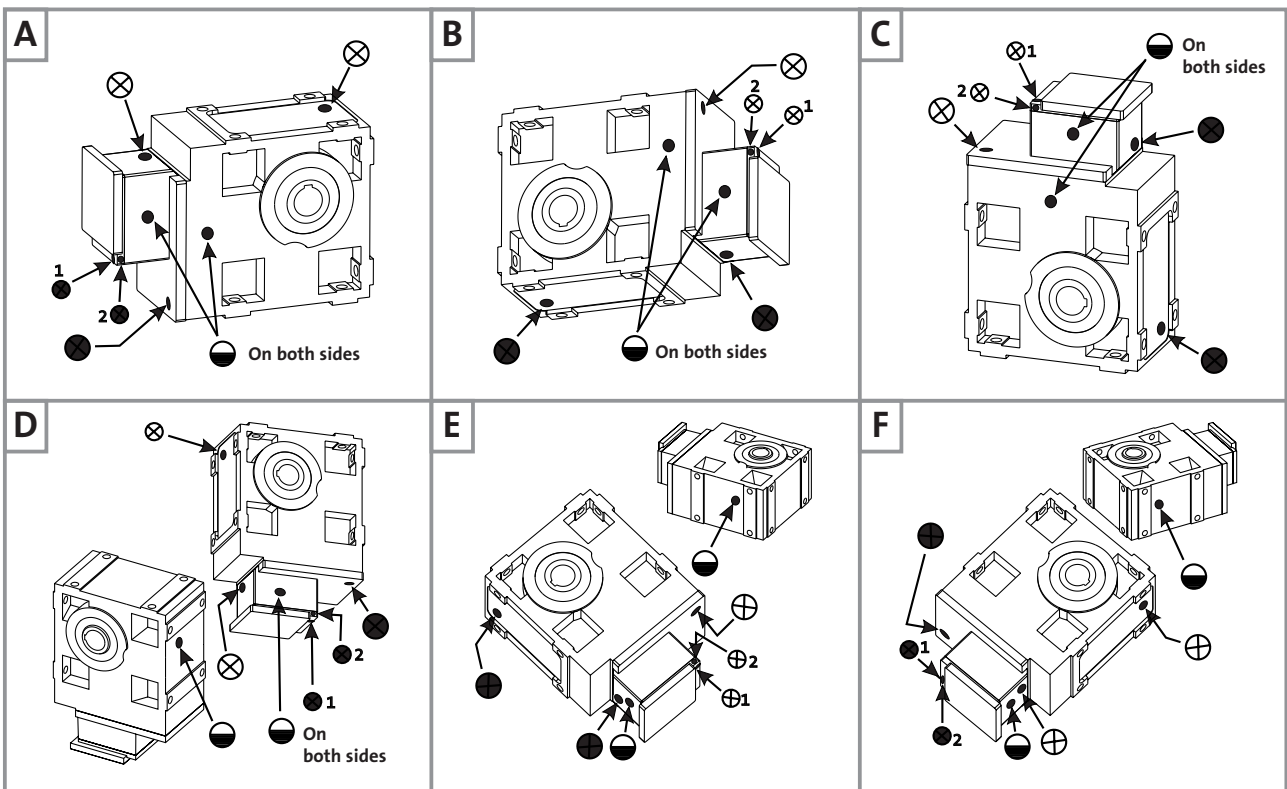
| Actual ratio | Numerator | Denominator |
|-------------------|-----------|-------------|
| GSS 07 - 3 | | |
| 126.531 | 111600 | 882 |
| 142.857 | 126000 | 882 |
| 155.000 | 117180 | 756 |
| 175.000 | 132300 | 756 |
| 201.746 | 152520 | 756 |
| 227.778 | 172200 | 756 |
| 247.139 | 160146 | 648 |
| 279.028 | 180810 | 648 |
| 321.673 | 208444 | 648 |
| 363.179 | 235340 | 648 |
| 394.245 | 170314 | 432 |
| 445.116 | 192290 | 432 |
| 490.403 | 141236 | 288 |
| 553.681 | 159460 | 288 |
| 634.639 | 182776 | 288 |
| 716.528 | 206360 | 288 |
| 833.556 | 240064 | 288 |
| 941.111 | 271040 | 288 |
| 1011.633 | 242792 | 240 |
| 1142.167 | 274120 | 240 |
| 1227.755 | 245551 | 200 |
| 1386.175 | 277235 | 200 |
| 1569.181 | 251069 | 160 |
| 1771.656 | 283465 | 160 |

Position of ventilation, sealing elements and oil control

GSS05 ... 07-2



GSS05 ... 07-3



(A ... F) Mounting position

⊗ Ventilation/oil filler plug
● Oil drain plug

⊕ Oil control plug
Oil-sight glass

Pos. 1 Standard

Pos. 2 only on GSS05-2A □□□ 080C22

GSS07-3A □□□ 080C22

Helical-worm gearboxes GSS□□-2

| Gearbox size | naturally ventilated | | | | | | | | | | |
|--------------|--|------------|------------|------------|------------|---|------------|------------|------------|------------|------------|
| | GSS□□-2S HAR/HBR with motor frame size (synchronous) | | | | | GSS□□-2A HAR/HBR with motor frame size (asynchronous) | | | | | |
| | 056 C23 | 056 C33 | 071 C03 | 071 C13 | 071 C33 | 056 C22 | 071 C22 | 080 C22 | 090 C22 | 100 C22 | 112 C22 |
| 04 | 17 | 18 | 21 | 23 | 25 | 18 | 23 | | | | |
| 05 | 27 | 28 | 30 | 32 | 34 | 28 | 32 | 37 | | | |
| 06 | 39 | 40 | 42 | 44 | 46 | 40 | 44 | 50 | 58 | | |
| 07 | 64 | 65 | 67 | 69 | 71 | 65 | 69 | 75 | 82 | 106 | 123 |

Helical-worm gearboxes GSS□□-3

| Gearbox size | naturally ventilated | | | | | | | | |
|--------------|--|------------|------------|------------|------------|---|------------|------------|------------|
| | GSS□□-3S HAR/HBR with motor frame size (synchronous) | | | | | GSS□□-3A HAR/HBR with motor frame size (asynchronous) | | | |
| | 056 C23 | 056 C33 | 071 C03 | 071 C13 | 071 C33 | 056 C22 | 071 C22 | 080 C22 | 080 C22 |
| 05 | 27 | 28 | 31 | 33 | 36 | 28 | 33 | | |
| 06 | 42 | 43 | 47 | 49 | 51 | 44 | 48 | | |
| 07 | 72 | 73 | 75 | 77 | 79 | 73 | 77 | | 82 |

Additional weights

At the drive end

| Synchronous | | | | | Asynchronous | | | | | |
|--------------------------|------------|------------|------------|------------|--------------|------------|------------|------------|------------|------------|
| 056 C23 | 056 C33 | 071 C03 | 071 C13 | 071 C33 | 056 C22 | 071 C22 | 080 C22 | 090 C22 | 100 C22 | 112 C22 |
| forced ventilated | | | | | | | | | | |
| – | – | 1.3 | 1.3 | 1.3 | – | 1.6 | 1.9 | 2.6 | 3.5 | 3.5 |
| Brake | | | | | | | | | | |
| 0.9 | 0.9 | 1.4 | 1.4 | 1.4 | 0.9 | 1.4 | 1.5 | 2.4 | 4.8 | 5.0 |

At the non-drive end

| Gearbox size | Solid shaft V□□ | 2nd output shaft end V□□ | Hollow shaft with shrink disc S□□ | Flange □□K | Torque plate Housing foot | Torque plate Pitch circle |
|--------------|--------------------|-----------------------------|--------------------------------------|---------------|------------------------------|------------------------------|
| 04 | 0.6 | 0.2 | 0.6 | 2.5 | 1.3 | 0.9 |
| 05 | 1 | 0.3 | 0.8 | 4 | 2.2 | 1.3 |
| 06 | 2.5 | 0.8 | 1 | 7 | 3.7 | 2.1 |
| 07 | 5 | 1.5 | 1.5 | 11 | 6.6 | 3.7 |

Weights in [kg] with oil capacity for mounting position A. All data is approximate

Selection tables - Helical-worm gearboxes

Naturally ventilated synchronous geared servo motors



| M ₂ [Nm] | n _{2 trans} [rpm] | c | i | M _{2 max} short-time M _{2 Gr} on geared motor at | | | | n _{2 therm} gearbox c=1 n ₁ ≤ 1400 rpm | | J _{GM} referred to motor shaft [kgm ²] | Servo helical- worm geared motor Dimensions on Page 7-47 |
|------------------------|-------------------------------|-----|--------|---|-------------|----------------------------|-------------|---|-------|---|---|
| | | | | 8 kHz | | 16 kHz | | [Nm] | [rpm] | | |
| | | | | M _{2 max} [Nm] | Type EVS | M _{2 max} [Nm] | Type EVS | | | | |
| 14 | 674 | 3.1 | 5.639 | 23 | 9322 | 27 | 9323 | 108 | 674 | 2.52E-04 | GSS04 - 2S □□□ 056C23 MDSKS□□ 056-23 190 |
| 19 | 491 | 3.8 | 7.733 | 32 | 9322 | 37 | 9323 | 149 | 491 | 2.05E-04 | GSS04 - 2S □□□ 056C23 MDSKS□□ 056-23 190 |
| 22 | 420 | 4.4 | 9.042 | 37 | 9322 | 43 | 9323 | 154 | 420 | 2.21E-04 | GSS04 - 2S □□□ 056C23 MDSKS□□ 056-23 190 |
| 24 | 384 | 4.1 | 9.897 | 41 | 9322 | 48 | 9323 | 161 | 384 | 1.83E-04 | GSS04 - 2S □□□ 056C23 MDSKS□□ 056-23 190 |
| 26 | 351 | 4.1 | 10.827 | 45 | 9322 | 52 | 9323 | 161 | 351 | 1.77E-04 | GSS04 - 2S □□□ 056C23 MDSKS□□ 056-23 190 |
| 30 | 306 | 3.9 | 12.400 | 51 | 9322 | 59 | 9323 | 170 | 306 | 1.89E-04 | GSS04 - 2S □□□ 056C23 MDSKS□□ 056-23 190 |
| 34 | 275 | 4.1 | 13.810 | 58 | 9322 | 67 | 9323 | 163 | 275 | 1.65E-04 | GSS04 - 2S □□□ 056C23 MDSKS□□ 056-23 190 |
| 38 | 239 | 3.3 | 15.869 | 65 | 9322 | 76 | 9323 | 180 | 239 | 1.73E-04 | GSS04 - 2S □□□ 056C23 MDSKS□□ 056-23 190 |
| 42 | 219 | 3.2 | 17.360 | 71 | 9322 | 83 | 9323 | 180 | 219 | 1.68E-04 | GSS04 - 2S □□□ 056C23 MDSKS□□ 056-23 190 |
| 45 | 186 | 2.3 | 20.417 | 76 | 9322 | 88 | 9323 | 153 | 186 | 2.07E-04 | GSS04 - 2S □□□ 056C23 MDSKS□□ 056-23 190 |
| 54 | 172 | 2.7 | 22.143 | 91 | 9322 | 105 | 9323 | 180 | 172 | 1.60E-04 | GSS04 - 2S □□□ 056C23 MDSKS□□ 056-23 190 |
| 56 | 153 | 2.1 | 24.800 | 94 | 9322 | 109 | 9323 | 171 | 153 | 1.82E-04 | GSS04 - 2S □□□ 056C23 MDSKS□□ 056-23 190 |
| 66 | 140 | 2.3 | 27.125 | 111 | 9322 | 128 | 9323 | 180 | 140 | 1.54E-04 | GSS04 - 2S □□□ 056C23 MDSKS□□ 056-23 190 |
| 72 | 120 | 1.8 | 31.738 | 121 | 9322 | 140 | 9323 | 180 | 120 | 1.69E-04 | GSS04 - 2S □□□ 056C23 MDSKS□□ 056-23 190 |
| 83 | 111 | 2.0 | 34.100 | 139 | 9322 | 161 | 9323 | 180 | 111 | 1.50E-04 | GSS04 - 2S □□□ 056C23 MDSKS□□ 056-23 190 |
| 87 | 97 | 1.5 | 39.200 | 146 | 9322 | 168 | 9323 | 180 | 97 | 1.65E-04 | GSS04 - 2S □□□ 056C23 MDSKS□□ 056-23 190 |
| 107 | 87 | 1.7 | 43.917 | 178 | 9322 | 206 | 9323 | 180 | 87 | 1.46E-04 | GSS04 - 2S □□□ 056C23 MDSKS□□ 056-23 190 |
| 111 | 76 | 1.3 | 50.000 | 185 | 9322 | 214 | 9323 | 180 | 76 | 1.57E-04 | GSS04 - 2S □□□ 056C23 MDSKS□□ 056-23 190 |
| 123 | 70 | 1.3 | 54.250 | 204 | 9322 | 235 | 9323 | 180 | 70 | 1.53E-04 | GSS04 - 2S □□□ 056C23 MDSKS□□ 056-23 190 |
| 136 | 62 | 1.2 | 61.250 | 225 | 9322 | 235 | 9323 | 180 | 62 | 1.53E-04 | GSS04 - 2S □□□ 056C23 MDSKS□□ 056-23 190 |
| 154 | 56 | 1.1 | 68.200 | 254 | 9322 | 254 | 9323 | 180 | 56 | 1.49E-04 | GSS04 - 2S □□□ 056C23 MDSKS□□ 056-23 190 |
| 21 | 709 | 2.1 | 5.639 | 34 | 9323 | 45 | 9324 | 108 | 709 | 3.12E-04 | GSS04 - 2S □□□ 056C33 MDSKS□□ 056-33 200 |
| 28 | 517 | 2.6 | 7.733 | 48 | 9323 | 62 | 9324 | 149 | 517 | 2.65E-04 | GSS04 - 2S □□□ 056C33 MDSKS□□ 056-33 200 |
| 33 | 442 | 2.9 | 9.042 | 55 | 9323 | 72 | 9324 | 154 | 442 | 2.81E-04 | GSS04 - 2S □□□ 056C33 MDSKS□□ 056-33 200 |
| 37 | 404 | 2.7 | 9.897 | 61 | 9323 | 80 | 9324 | 161 | 404 | 2.43E-04 | GSS04 - 2S □□□ 056C33 MDSKS□□ 056-33 200 |
| 40 | 369 | 2.7 | 10.827 | 67 | 9323 | 87 | 9324 | 161 | 369 | 2.37E-04 | GSS04 - 2S □□□ 056C33 MDSKS□□ 056-33 200 |
| 45 | 323 | 2.6 | 12.400 | 76 | 9323 | 99 | 9324 | 170 | 323 | 2.49E-04 | GSS04 - 2S □□□ 056C33 MDSKS□□ 056-33 200 |
| 52 | 290 | 2.7 | 13.810 | 86 | 9323 | 112 | 9324 | 163 | 290 | 2.25E-04 | GSS04 - 2S □□□ 056C33 MDSKS□□ 056-33 200 |
| 58 | 252 | 2.2 | 15.869 | 97 | 9323 | 126 | 9324 | 180 | 252 | 2.33E-04 | GSS04 - 2S □□□ 056C33 MDSKS□□ 056-33 200 |
| 64 | 230 | 2.1 | 17.360 | 106 | 9323 | 138 | 9324 | 180 | 230 | 2.28E-04 | GSS04 - 2S □□□ 056C33 MDSKS□□ 056-33 200 |
| 68 | 196 | 1.5 | 20.417 | 113 | 9323 | 147 | 9324 | 153 | 196 | 2.67E-04 | GSS04 - 2S □□□ 056C33 MDSKS□□ 056-33 200 |
| 81 | 181 | 1.8 | 22.143 | 135 | 9323 | 175 | 9324 | 180 | 181 | 2.20E-04 | GSS04 - 2S □□□ 056C33 MDSKS□□ 056-33 200 |
| 85 | 161 | 1.4 | 24.800 | 140 | 9323 | 180 | 9324 | 171 | 161 | 2.42E-04 | GSS04 - 2S □□□ 056C33 MDSKS□□ 056-33 200 |
| 100 | 147 | 1.6 | 27.125 | 164 | 9323 | 214 | 9324 | 180 | 147 | 2.14E-04 | GSS04 - 2S □□□ 056C33 MDSKS□□ 056-33 200 |

Observe the notes for thermal dimensioning.

Selection tables - Helical-worm gearboxes

Naturally ventilated synchronous geared servo motors

| M ₂ [Nm] | n ₂ trans [rpm] | c | i | M ₂ max short-time M ₂ Gr on geared motor at | | | | n ₂ therm gearbox c=1 n ₁ ≤ 1400 rpm | | J _{GM} referred to motor shaft [kgm ²] | Servo helical- worm geared motor Dimensions on Page 7-47 |
|------------------------|-------------------------------|-----|--------|---|-------------|----------------------------|-------------|---|-------|---|---|
| | | | | 8 kHz | | 16 kHz | | [Nm] | [rpm] | | |
| | | | | M ₂ max [Nm] | Type EVS | M ₂ max [Nm] | Type EVS | | | | |
| 109 | 126 | 1.2 | 31.738 | 179 | 9323 | 196 | 9324 | 180 | 126 | 2.29E-04 | GSS04 - 2S □□□ 056C33 MDSKS□□ 056-33 200 |
| 125 | 117 | 1.3 | 34.100 | 206 | 9323 | 253 | 9324 | 180 | 117 | 2.10E-04 | GSS04 - 2S □□□ 056C33 MDSKS□□ 056-33 200 |
| 132 | 102 | 1.0 | 39.200 | 202 | 9323 | 202 | 9324 | 180 | 102 | 2.25E-04 | GSS04 - 2S □□□ 056C33 MDSKS□□ 056-33 200 |
| 161 | 91 | 1.1 | 43.917 | 264 | 9323 | 269 | 9324 | 180 | 91 | 2.06E-04 | GSS04 - 2S □□□ 056C33 MDSKS□□ 056-33 200 |
| 28 | 603 | 1.9 | 5.639 | 40 | 9323 | 53 | 9324 | 149 | 603 | 7.12E-04 | GSS04 - 2S □□□ 071C03 MDSKS□□ 071-03 170 |
| 39 | 440 | 2.2 | 7.733 | 55 | 9323 | 73 | 9324 | 158 | 440 | 6.65E-04 | GSS04 - 2S □□□ 071C03 MDSKS□□ 071-03 170 |
| 45 | 376 | 2.3 | 9.042 | 64 | 9323 | 85 | 9324 | 154 | 376 | 6.81E-04 | GSS04 - 2S □□□ 071C03 MDSKS□□ 071-03 170 |
| 50 | 344 | 2.3 | 9.897 | 71 | 9323 | 94 | 9324 | 161 | 344 | 6.43E-04 | GSS04 - 2S □□□ 071C03 MDSKS□□ 071-03 170 |
| 55 | 314 | 2.3 | 10.827 | 78 | 9323 | 103 | 9324 | 161 | 314 | 6.37E-04 | GSS04 - 2S □□□ 071C03 MDSKS□□ 071-03 170 |
| 62 | 274 | 2.0 | 12.400 | 88 | 9323 | 117 | 9324 | 170 | 274 | 6.49E-04 | GSS04 - 2S □□□ 071C03 MDSKS□□ 071-03 170 |
| 70 | 246 | 2.1 | 13.810 | 100 | 9323 | 132 | 9324 | 163 | 246 | 6.25E-04 | GSS04 - 2S □□□ 071C03 MDSKS□□ 071-03 170 |
| 80 | 214 | 1.7 | 15.869 | 113 | 9323 | 149 | 9324 | 180 | 214 | 6.33E-04 | GSS04 - 2S □□□ 071C03 MDSKS□□ 071-03 170 |
| 87 | 196 | 1.6 | 17.360 | 123 | 9323 | 163 | 9324 | 180 | 196 | 6.28E-04 | GSS04 - 2S □□□ 071C03 MDSKS□□ 071-03 170 |
| 93 | 167 | 1.2 | 20.417 | 131 | 9323 | 167 | 9324 | 153 | 167 | 6.67E-04 | GSS04 - 2S □□□ 071C03 MDSKS□□ 071-03 170 |
| 111 | 154 | 1.4 | 22.143 | 157 | 9323 | 207 | 9324 | 180 | 154 | 6.20E-04 | GSS04 - 2S □□□ 071C03 MDSKS□□ 071-03 170 |
| 116 | 137 | 1.1 | 24.800 | 163 | 9323 | 188 | 9324 | 171 | 137 | 6.42E-04 | GSS04 - 2S □□□ 071C03 MDSKS□□ 071-03 170 |
| 136 | 125 | 1.2 | 27.125 | 191 | 9323 | 245 | 9324 | 180 | 125 | 6.14E-04 | GSS04 - 2S □□□ 071C03 MDSKS□□ 071-03 170 |
| 41 | 656 | 1.1 | 5.639 | 62 | 9324 | 65 | 9325 | 149 | 656 | 9.12E-04 | GSS04 - 2S □□□ 071C13 MDSKS□□ 071-13 185 |
| 57 | 478 | 1.3 | 7.733 | 86 | 9324 | 111 | 9325 | 158 | 478 | 8.65E-04 | GSS04 - 2S □□□ 071C13 MDSKS□□ 071-13 185 |
| 66 | 409 | 1.5 | 9.042 | 100 | 9324 | 138 | 9325 | 154 | 409 | 8.81E-04 | GSS04 - 2S □□□ 071C13 MDSKS□□ 071-13 185 |
| 74 | 374 | 1.4 | 9.897 | 111 | 9324 | 153 | 9325 | 161 | 374 | 8.43E-04 | GSS04 - 2S □□□ 071C13 MDSKS□□ 071-13 185 |
| 81 | 342 | 1.4 | 10.827 | 121 | 9324 | 168 | 9325 | 161 | 342 | 8.37E-04 | GSS04 - 2S □□□ 071C13 MDSKS□□ 071-13 185 |
| 91 | 298 | 1.3 | 12.400 | 137 | 9324 | 181 | 9325 | 170 | 298 | 8.49E-04 | GSS04 - 2S □□□ 071C13 MDSKS□□ 071-13 185 |
| 103 | 268 | 1.4 | 13.810 | 156 | 9324 | 215 | 9325 | 163 | 268 | 8.25E-04 | GSS04 - 2S □□□ 071C13 MDSKS□□ 071-13 185 |
| 117 | 233 | 1.1 | 15.869 | 175 | 9324 | 197 | 9325 | 180 | 233 | 8.33E-04 | GSS04 - 2S □□□ 071C13 MDSKS□□ 071-13 185 |
| 128 | 213 | 1.1 | 17.360 | 192 | 9324 | 204 | 9325 | 180 | 213 | 8.28E-04 | GSS04 - 2S □□□ 071C13 MDSKS□□ 071-13 185 |
| 33 | 275 | 5.9 | 13.810 | 58 | 9322 | 67 | 9323 | 248 | 275 | 2.04E-04 | GSS05 - 2S □□□ 056C23 MDSKS□□ 056-23 190 |
| 37 | 239 | 5.4 | 15.869 | 65 | 9322 | 75 | 9323 | 296 | 239 | 2.24E-04 | GSS05 - 2S □□□ 056C23 MDSKS□□ 056-23 190 |
| 41 | 219 | 5.1 | 17.360 | 71 | 9322 | 82 | 9323 | 311 | 219 | 2.12E-04 | GSS05 - 2S □□□ 056C23 MDSKS□□ 056-23 190 |
| 53 | 172 | 4.4 | 22.143 | 91 | 9322 | 105 | 9323 | 337 | 172 | 1.90E-04 | GSS05 - 2S □□□ 056C23 MDSKS□□ 056-23 190 |
| 65 | 140 | 3.8 | 27.125 | 111 | 9322 | 129 | 9323 | 360 | 140 | 1.78E-04 | GSS05 - 2S □□□ 056C23 MDSKS□□ 056-23 190 |
| 71 | 120 | 2.9 | 31.738 | 120 | 9322 | 139 | 9323 | 306 | 120 | 2.13E-04 | GSS05 - 2S □□□ 056C23 MDSKS□□ 056-23 190 |
| 86 | 108 | 3.2 | 35.306 | 145 | 9322 | 168 | 9323 | 360 | 108 | 1.63E-04 | GSS05 - 2S □□□ 056C23 MDSKS□□ 056-23 190 |
| 86 | 97 | 2.5 | 39.200 | 146 | 9322 | 169 | 9323 | 323 | 97 | 2.01E-04 | GSS05 - 2S □□□ 056C23 MDSKS□□ 056-23 190 |

Observe the notes for thermal dimensioning.

Selection tables - Helical-worm gearboxes

Naturally ventilated synchronous geared servo motors



| M ₂ [Nm] | n ₂ trans [rpm] | c | i | M ₂ max short-time M ₂ Gr on geared motor at | | | | n ₂ therm gearbox c=1 n ₁ ≤ 1400 rpm | | J _{GM} referred to motor shaft [kgm ²] | Servo helical- worm geared motor Dimensions on Page 7-47 |
|------------------------|-------------------------------|-----|---------|---|-------------|----------------------------|-------------|---|-------|---|---|
| | | | | 8 kHz | | 16 kHz | | [Nm] | [rpm] | | |
| | | | | M ₂ max [Nm] | Type EVS | M ₂ max [Nm] | Type EVS | | | | |
| 107 | 87 | 2.8 | 43.917 | 181 | 9322 | 209 | 9323 | 360 | 87 | 1.57E-04 | GSS05 - 2S □□□ 056C23 MDSKS□□ 056-23 190 |
| 111 | 76 | 2.1 | 50.000 | 187 | 9322 | 216 | 9323 | 353 | 76 | 1.83E-04 | GSS05 - 2S □□□ 056C23 MDSKS□□ 056-23 190 |
| 123 | 70 | 2.1 | 54.250 | 207 | 9322 | 239 | 9323 | 360 | 70 | 1.74E-04 | GSS05 - 2S □□□ 056C23 MDSKS□□ 056-23 190 |
| 137 | 62 | 1.9 | 61.250 | 229 | 9322 | 265 | 9323 | 360 | 62 | 1.73E-04 | GSS05 - 2S □□□ 056C23 MDSKS□□ 056-23 190 |
| 161 | 54 | 1.7 | 70.611 | 269 | 9322 | 312 | 9323 | 360 | 54 | 1.61E-04 | GSS05 - 2S □□□ 056C23 MDSKS□□ 056-23 190 |
| 179 | 48 | 1.6 | 79.722 | 299 | 9322 | 346 | 9323 | 360 | 48 | 1.61E-04 | GSS05 - 2S □□□ 056C23 MDSKS□□ 056-23 190 |
| 201 | 43 | 1.5 | 87.833 | 335 | 9322 | 388 | 9323 | 360 | 43 | 1.55E-04 | GSS05 - 2S □□□ 056C23 MDSKS□□ 056-23 190 |
| 224 | 38 | 1.4 | 99.167 | 372 | 9322 | 430 | 9323 | 360 | 38 | 1.55E-04 | GSS05 - 2S □□□ 056C23 MDSKS□□ 056-23 190 |
| 261 | 33 | 1.3 | 113.667 | 434 | 9322 | 502 | 9323 | 360 | 33 | 1.50E-04 | GSS05 - 2S □□□ 056C23 MDSKS□□ 056-23 190 |
| 290 | 30 | 1.2 | 128.333 | 481 | 9322 | 516 | 9323 | 360 | 30 | 1.49E-04 | GSS05 - 2S □□□ 056C23 MDSKS□□ 056-23 190 |
| 318 | 28 | 1.1 | 137.950 | 527 | 9322 | 540 | 9323 | 360 | 28 | 1.47E-04 | GSS05 - 2S □□□ 056C23 MDSKS□□ 056-23 190 |
| 353 | 24 | 1.0 | 155.750 | 540 | 9322 | 540 | 9323 | 360 | 24 | 1.47E-04 | GSS05 - 2S □□□ 056C23 MDSKS□□ 056-23 190 |
| 36 | 404 | 4.3 | 9.897 | 62 | 9323 | 80 | 9324 | 190 | 404 | 3.10E-04 | GSS05 - 2S □□□ 056C33 MDSKS□□ 056-33 200 |
| 40 | 369 | 4.2 | 10.827 | 68 | 9323 | 88 | 9324 | 210 | 369 | 2.94E-04 | GSS05 - 2S □□□ 056C33 MDSKS□□ 056-33 200 |
| 51 | 290 | 3.9 | 13.810 | 87 | 9323 | 113 | 9324 | 248 | 290 | 2.64E-04 | GSS05 - 2S □□□ 056C33 MDSKS□□ 056-33 200 |
| 57 | 252 | 3.6 | 15.869 | 96 | 9323 | 125 | 9324 | 296 | 252 | 2.84E-04 | GSS05 - 2S □□□ 056C33 MDSKS□□ 056-33 200 |
| 63 | 230 | 3.4 | 17.360 | 106 | 9323 | 137 | 9324 | 311 | 230 | 2.72E-04 | GSS05 - 2S □□□ 056C33 MDSKS□□ 056-33 200 |
| 81 | 181 | 2.9 | 22.143 | 135 | 9323 | 176 | 9324 | 337 | 181 | 2.50E-04 | GSS05 - 2S □□□ 056C33 MDSKS□□ 056-33 200 |
| 99 | 147 | 2.5 | 27.125 | 166 | 9323 | 216 | 9324 | 360 | 147 | 2.38E-04 | GSS05 - 2S □□□ 056C33 MDSKS□□ 056-33 200 |
| 108 | 126 | 1.9 | 31.738 | 178 | 9323 | 232 | 9324 | 306 | 126 | 2.73E-04 | GSS05 - 2S □□□ 056C33 MDSKS□□ 056-33 200 |
| 130 | 113 | 2.1 | 35.306 | 216 | 9323 | 281 | 9324 | 360 | 113 | 2.23E-04 | GSS05 - 2S □□□ 056C33 MDSKS□□ 056-33 200 |
| 131 | 102 | 1.7 | 39.200 | 216 | 9323 | 282 | 9324 | 323 | 102 | 2.61E-04 | GSS05 - 2S □□□ 056C33 MDSKS□□ 056-33 200 |
| 162 | 91 | 1.8 | 43.917 | 268 | 9323 | 349 | 9324 | 360 | 91 | 2.17E-04 | GSS05 - 2S □□□ 056C33 MDSKS□□ 056-33 200 |
| 168 | 80 | 1.4 | 50.000 | 277 | 9323 | 361 | 9324 | 353 | 80 | 2.43E-04 | GSS05 - 2S □□□ 056C33 MDSKS□□ 056-33 200 |
| 187 | 74 | 1.4 | 54.250 | 307 | 9323 | 385 | 9324 | 360 | 74 | 2.34E-04 | GSS05 - 2S □□□ 056C33 MDSKS□□ 056-33 200 |
| 207 | 65 | 1.3 | 61.250 | 340 | 9323 | 392 | 9324 | 360 | 65 | 2.33E-04 | GSS05 - 2S □□□ 056C33 MDSKS□□ 056-33 200 |
| 244 | 57 | 1.2 | 70.611 | 400 | 9323 | 424 | 9324 | 360 | 57 | 2.21E-04 | GSS05 - 2S □□□ 056C33 MDSKS□□ 056-33 200 |
| 271 | 50 | 1.1 | 79.722 | 433 | 9323 | 433 | 9324 | 360 | 50 | 2.21E-04 | GSS05 - 2S □□□ 056C33 MDSKS□□ 056-33 200 |
| 304 | 46 | 1.0 | 87.833 | 459 | 9323 | 459 | 9324 | 360 | 46 | 2.15E-04 | GSS05 - 2S □□□ 056C33 MDSKS□□ 056-33 200 |
| 28 | 603 | 4.1 | 5.639 | 41 | 9323 | 54 | 9324 | 219 | 603 | 8.82E-04 | GSS05 - 2S □□□ 071C03 MDSKS□□ 071-03 170 |
| 39 | 440 | 3.8 | 7.733 | 56 | 9323 | 74 | 9324 | 267 | 440 | 7.66E-04 | GSS05 - 2S □□□ 071C03 MDSKS□□ 071-03 170 |
| 44 | 376 | 2.8 | 9.042 | 63 | 9323 | 83 | 9324 | 251 | 376 | 8.01E-04 | GSS05 - 2S □□□ 071C03 MDSKS□□ 071-03 170 |
| 50 | 344 | 3.5 | 9.897 | 72 | 9323 | 95 | 9324 | 271 | 344 | 7.10E-04 | GSS05 - 2S □□□ 071C03 MDSKS□□ 071-03 170 |
| 55 | 314 | 3.4 | 10.827 | 79 | 9323 | 104 | 9324 | 272 | 314 | 6.94E-04 | GSS05 - 2S □□□ 071C03 MDSKS□□ 071-03 170 |

Observe the notes for thermal dimensioning.

Selection tables - Helical-worm gearboxes

Naturally ventilated synchronous geared servo motors

| M ₂ [Nm] | n ₂ trans [rpm] | c | i | M ₂ max short-time M ₂ Gr on geared motor at | | | | n ₂ therm gearbox c=1 n ₁ ≤ 1400 rpm | | J _{GM} referred to motor shaft [kgm ²] | Servo helical- worm geared motor Dimensions on Page 7-47 |
|------------------------|-------------------------------|-----|--------|---|-------------|----------------------------|-------------|---|-------|---|---|
| | | | | 8 kHz | | 16 kHz | | [Nm] | [rpm] | | |
| | | | | M ₂ max [Nm] | Type EVS | M ₂ max [Nm] | Type EVS | | | | |
| 61 | 274 | 3.0 | 12.400 | 87 | 9323 | 115 | 9324 | 279 | 274 | 7.23E-04 | GSS05 - 2S □□□ 071C03 MDSKS□□ 071-03 170 |
| 70 | 246 | 3.2 | 13.810 | 101 | 9323 | 133 | 9324 | 275 | 246 | 6.64E-04 | GSS05 - 2S □□□ 071C03 MDSKS□□ 071-03 170 |
| 78 | 214 | 2.8 | 15.869 | 112 | 9323 | 148 | 9324 | 301 | 214 | 6.84E-04 | GSS05 - 2S □□□ 071C03 MDSKS□□ 071-03 170 |
| 86 | 196 | 2.6 | 17.360 | 123 | 9323 | 162 | 9324 | 311 | 196 | 6.72E-04 | GSS05 - 2S □□□ 071C03 MDSKS□□ 071-03 170 |
| 89 | 167 | 1.6 | 20.417 | 126 | 9323 | 167 | 9324 | 253 | 167 | 7.60E-04 | GSS05 - 2S □□□ 071C03 MDSKS□□ 071-03 170 |
| 110 | 154 | 2.2 | 22.143 | 157 | 9323 | 208 | 9324 | 337 | 154 | 6.50E-04 | GSS05 - 2S □□□ 071C03 MDSKS□□ 071-03 170 |
| 113 | 137 | 1.7 | 24.800 | 160 | 9323 | 212 | 9324 | 280 | 137 | 7.06E-04 | GSS05 - 2S □□□ 071C03 MDSKS□□ 071-03 170 |
| 136 | 125 | 1.9 | 27.125 | 193 | 9323 | 255 | 9324 | 360 | 125 | 6.38E-04 | GSS05 - 2S □□□ 071C03 MDSKS□□ 071-03 170 |
| 147 | 107 | 1.5 | 31.738 | 207 | 9323 | 274 | 9324 | 306 | 107 | 6.73E-04 | GSS05 - 2S □□□ 071C03 MDSKS□□ 071-03 170 |
| 177 | 96 | 1.6 | 35.306 | 251 | 9323 | 332 | 9324 | 360 | 96 | 6.23E-04 | GSS05 - 2S □□□ 071C03 MDSKS□□ 071-03 170 |
| 179 | 87 | 1.3 | 39.200 | 252 | 9323 | 333 | 9324 | 323 | 87 | 6.61E-04 | GSS05 - 2S □□□ 071C03 MDSKS□□ 071-03 170 |
| 221 | 77 | 1.4 | 43.917 | 312 | 9323 | 413 | 9324 | 360 | 77 | 6.17E-04 | GSS05 - 2S □□□ 071C03 MDSKS□□ 071-03 170 |
| 229 | 68 | 1.1 | 50.000 | 323 | 9323 | 380 | 9324 | 353 | 68 | 6.43E-04 | GSS05 - 2S □□□ 071C03 MDSKS□□ 071-03 170 |
| 254 | 63 | 1.1 | 54.250 | 358 | 9323 | 403 | 9324 | 360 | 63 | 6.34E-04 | GSS05 - 2S □□□ 071C03 MDSKS□□ 071-03 170 |
| 41 | 656 | 2.6 | 5.639 | 63 | 9324 | 87 | 9325 | 219 | 656 | 1.08E-03 | GSS05 - 2S □□□ 071C13 MDSKS□□ 071-13 185 |
| 57 | 478 | 2.4 | 7.733 | 87 | 9324 | 120 | 9325 | 267 | 478 | 9.66E-04 | GSS05 - 2S □□□ 071C13 MDSKS□□ 071-13 185 |
| 64 | 409 | 1.6 | 9.042 | 97 | 9324 | 134 | 9325 | 251 | 409 | 1.00E-03 | GSS05 - 2S □□□ 071C13 MDSKS□□ 071-13 185 |
| 74 | 374 | 2.2 | 9.897 | 112 | 9324 | 154 | 9325 | 271 | 374 | 9.10E-04 | GSS05 - 2S □□□ 071C13 MDSKS□□ 071-13 185 |
| 81 | 342 | 2.1 | 10.827 | 122 | 9324 | 169 | 9325 | 272 | 342 | 8.94E-04 | GSS05 - 2S □□□ 071C13 MDSKS□□ 071-13 185 |
| 89 | 298 | 1.8 | 12.400 | 135 | 9324 | 187 | 9325 | 279 | 298 | 9.23E-04 | GSS05 - 2S □□□ 071C13 MDSKS□□ 071-13 185 |
| 103 | 268 | 2.0 | 13.810 | 157 | 9324 | 216 | 9325 | 275 | 268 | 8.64E-04 | GSS05 - 2S □□□ 071C13 MDSKS□□ 071-13 185 |
| 115 | 233 | 1.8 | 15.869 | 174 | 9324 | 240 | 9325 | 301 | 233 | 8.84E-04 | GSS05 - 2S □□□ 071C13 MDSKS□□ 071-13 185 |
| 126 | 213 | 1.7 | 17.360 | 191 | 9324 | 263 | 9325 | 311 | 213 | 8.72E-04 | GSS05 - 2S □□□ 071C13 MDSKS□□ 071-13 185 |
| 162 | 167 | 1.5 | 22.143 | 244 | 9324 | 337 | 9325 | 337 | 167 | 8.50E-04 | GSS05 - 2S □□□ 071C13 MDSKS□□ 071-13 185 |
| 166 | 149 | 1.1 | 24.800 | 249 | 9324 | 265 | 9325 | 280 | 149 | 9.06E-04 | GSS05 - 2S □□□ 071C13 MDSKS□□ 071-13 185 |
| 199 | 136 | 1.3 | 27.125 | 300 | 9324 | 384 | 9325 | 360 | 136 | 8.38E-04 | GSS05 - 2S □□□ 071C13 MDSKS□□ 071-13 185 |
| 260 | 105 | 1.1 | 35.306 | 390 | 9324 | 419 | 9325 | 360 | 105 | 8.23E-04 | GSS05 - 2S □□□ 071C13 MDSKS□□ 071-13 185 |
| 62 | 638 | 1.8 | 5.639 | 121 | 9325 | 91 | 9325 | 219 | 638 | 1.28E-03 | GSS05 - 2S □□□ 071C33 MDSKS□□ 071-33 180 |
| 85 | 466 | 1.6 | 7.733 | 168 | 9325 | 125 | 9325 | 267 | 466 | 1.17E-03 | GSS05 - 2S □□□ 071C33 MDSKS□□ 071-33 180 |
| 96 | 398 | 1.1 | 9.042 | 156 | 9325 | 140 | 9325 | 251 | 398 | 1.20E-03 | GSS05 - 2S □□□ 071C33 MDSKS□□ 071-33 180 |
| 110 | 364 | 1.5 | 9.897 | 215 | 9325 | 161 | 9325 | 271 | 364 | 1.11E-03 | GSS05 - 2S □□□ 071C33 MDSKS□□ 071-33 180 |
| 120 | 333 | 1.4 | 10.827 | 236 | 9325 | 177 | 9325 | 272 | 333 | 1.09E-03 | GSS05 - 2S □□□ 071C33 MDSKS□□ 071-33 180 |
| 133 | 290 | 1.2 | 12.400 | 246 | 9325 | 195 | 9325 | 279 | 290 | 1.12E-03 | GSS05 - 2S □□□ 071C33 MDSKS□□ 071-33 180 |
| 154 | 261 | 1.3 | 13.810 | 302 | 9325 | 226 | 9325 | 275 | 261 | 1.06E-03 | GSS05 - 2S □□□ 071C33 MDSKS□□ 071-33 180 |

Observe the notes for thermal dimensioning.

Selection tables - Helical-worm gearboxes

Naturally ventilated synchronous geared servo motors



| M ₂ [Nm] | n ₂ trans [rpm] | c | i | M ₂ max short-time M ₂ Gr on geared motor at | | | | n ₂ therm gearbox c=1 n ₁ ≤ 1400 rpm | | J _{GM} referred to motor shaft [kgm ²] | Servo helical- worm geared motor Dimensions on Page 7-47 |
|------------------------|-------------------------------|-----|---------|---|-------------|----------------------------|-------------|---|-------|---|---|
| | | | | 8 kHz | | 16 kHz | | [Nm] | [rpm] | | |
| | | | | M ₂ max [Nm] | Type EVS | M ₂ max [Nm] | Type EVS | | | | |
| 172 | 227 | 1.2 | 15.869 | 317 | 9325 | 251 | 9325 | 301 | 227 | 1.08E-03 | GSS05 - 2S □□□ 071C33 MDSKS□□ 071-33 180 |
| 188 | 207 | 1.2 | 17.360 | 330 | 9325 | 275 | 9325 | 311 | 207 | 1.07E-03 | GSS05 - 2S □□□ 071C33 MDSKS□□ 071-33 180 |
| 104 | 87 | 5.3 | 43.917 | 181 | 9322 | 210 | 9323 | 566 | 87 | 1.87E-04 | GSS06 - 2S □□□ 056C23 MDSKS□□ 056-23 190 |
| 112 | 76 | 3.9 | 50.000 | 192 | 9322 | 222 | 9323 | 693 | 76 | 2.56E-04 | GSS06 - 2S □□□ 056C23 MDSKS□□ 056-23 190 |
| 159 | 54 | 3.4 | 70.611 | 271 | 9322 | 314 | 9323 | 720 | 54 | 2.01E-04 | GSS06 - 2S □□□ 056C23 MDSKS□□ 056-23 190 |
| 179 | 48 | 3.1 | 79.722 | 303 | 9322 | 351 | 9323 | 720 | 48 | 1.97E-04 | GSS06 - 2S □□□ 056C23 MDSKS□□ 056-23 190 |
| 198 | 43 | 3.0 | 87.833 | 336 | 9322 | 389 | 9323 | 720 | 43 | 1.84E-04 | GSS06 - 2S □□□ 056C23 MDSKS□□ 056-23 190 |
| 222 | 38 | 2.7 | 99.167 | 375 | 9322 | 434 | 9323 | 720 | 38 | 1.82E-04 | GSS06 - 2S □□□ 056C23 MDSKS□□ 056-23 190 |
| 257 | 33 | 2.5 | 113.667 | 432 | 9322 | 501 | 9323 | 720 | 33 | 1.68E-04 | GSS06 - 2S □□□ 056C23 MDSKS□□ 056-23 190 |
| 287 | 30 | 2.3 | 128.333 | 482 | 9322 | 559 | 9323 | 720 | 30 | 1.66E-04 | GSS06 - 2S □□□ 056C23 MDSKS□□ 056-23 190 |
| 310 | 28 | 2.3 | 137.950 | 521 | 9322 | 603 | 9323 | 720 | 28 | 1.60E-04 | GSS06 - 2S □□□ 056C23 MDSKS□□ 056-23 190 |
| 347 | 24 | 2.0 | 155.750 | 581 | 9322 | 673 | 9323 | 720 | 24 | 1.59E-04 | GSS06 - 2S □□□ 056C23 MDSKS□□ 056-23 190 |
| 390 | 22 | 1.8 | 174.375 | 652 | 9322 | 754 | 9323 | 720 | 22 | 1.53E-04 | GSS06 - 2S □□□ 056C23 MDSKS□□ 056-23 190 |
| 436 | 19 | 1.6 | 196.875 | 726 | 9322 | 840 | 9323 | 720 | 19 | 1.52E-04 | GSS06 - 2S □□□ 056C23 MDSKS□□ 056-23 190 |
| 53 | 280 | 5.0 | 14.286 | 90 | 9323 | 117 | 9324 | 277 | 280 | 3.63E-04 | GSS06 - 2S □□□ 056C33 MDSKS□□ 056-33 200 |
| 80 | 181 | 4.6 | 22.143 | 137 | 9323 | 178 | 9324 | 413 | 181 | 3.39E-04 | GSS06 - 2S □□□ 056C33 MDSKS□□ 056-33 200 |
| 128 | 113 | 4.1 | 35.306 | 217 | 9323 | 283 | 9324 | 543 | 113 | 2.66E-04 | GSS06 - 2S □□□ 056C33 MDSKS□□ 056-33 200 |
| 160 | 91 | 3.5 | 43.917 | 269 | 9323 | 351 | 9324 | 566 | 91 | 2.47E-04 | GSS06 - 2S □□□ 056C33 MDSKS□□ 056-33 200 |
| 171 | 80 | 2.6 | 50.000 | 285 | 9323 | 371 | 9324 | 693 | 80 | 3.16E-04 | GSS06 - 2S □□□ 056C33 MDSKS□□ 056-33 200 |
| 242 | 57 | 2.3 | 70.611 | 403 | 9323 | 525 | 9324 | 720 | 57 | 2.61E-04 | GSS06 - 2S □□□ 056C33 MDSKS□□ 056-33 200 |
| 272 | 50 | 2.1 | 79.722 | 451 | 9323 | 587 | 9324 | 720 | 50 | 2.57E-04 | GSS06 - 2S □□□ 056C33 MDSKS□□ 056-33 200 |
| 301 | 46 | 2.0 | 87.833 | 499 | 9323 | 650 | 9324 | 720 | 46 | 2.44E-04 | GSS06 - 2S □□□ 056C33 MDSKS□□ 056-33 200 |
| 337 | 40 | 1.8 | 99.167 | 558 | 9323 | 726 | 9324 | 720 | 40 | 2.42E-04 | GSS06 - 2S □□□ 056C33 MDSKS□□ 056-33 200 |
| 389 | 35 | 1.7 | 113.667 | 642 | 9323 | 837 | 9324 | 720 | 35 | 2.28E-04 | GSS06 - 2S □□□ 056C33 MDSKS□□ 056-33 200 |
| 435 | 31 | 1.5 | 128.333 | 717 | 9323 | 934 | 9324 | 720 | 31 | 2.26E-04 | GSS06 - 2S □□□ 056C33 MDSKS□□ 056-33 200 |
| 470 | 29 | 1.5 | 137.950 | 774 | 9323 | 1009 | 9324 | 720 | 29 | 2.20E-04 | GSS06 - 2S □□□ 056C33 MDSKS□□ 056-33 200 |
| 525 | 26 | 1.4 | 155.750 | 863 | 9323 | 1075 | 9324 | 720 | 26 | 2.19E-04 | GSS06 - 2S □□□ 056C33 MDSKS□□ 056-33 200 |
| 590 | 23 | 1.2 | 174.375 | 968 | 9323 | 1074 | 9324 | 720 | 23 | 2.13E-04 | GSS06 - 2S □□□ 056C33 MDSKS□□ 056-33 200 |
| 658 | 20 | 1.1 | 196.875 | 1073 | 9323 | 1073 | 9324 | 720 | 20 | 2.12E-04 | GSS06 - 2S □□□ 056C33 MDSKS□□ 056-33 200 |
| 51 | 332 | 5.3 | 10.238 | 75 | 9323 | 99 | 9324 | 397 | 332 | 8.81E-04 | GSS06 - 2S □□□ 071C03 MDSKS□□ 071-03 170 |
| 56 | 304 | 5.2 | 11.200 | 82 | 9323 | 109 | 9324 | 440 | 304 | 8.39E-04 | GSS06 - 2S □□□ 071C03 MDSKS□□ 071-03 170 |
| 72 | 238 | 4.8 | 14.286 | 105 | 9323 | 139 | 9324 | 513 | 238 | 7.63E-04 | GSS06 - 2S □□□ 071C03 MDSKS□□ 071-03 170 |
| 79 | 214 | 4.1 | 15.869 | 114 | 9323 | 151 | 9324 | 597 | 214 | 8.35E-04 | GSS06 - 2S □□□ 071C03 MDSKS□□ 071-03 170 |
| 86 | 196 | 4.0 | 17.360 | 125 | 9323 | 165 | 9324 | 624 | 196 | 8.01E-04 | GSS06 - 2S □□□ 071C03 MDSKS□□ 071-03 170 |

Observe the notes for thermal dimensioning.

Selection tables - Helical-worm gearboxes

Naturally ventilated synchronous geared servo motors

| M ₂ [Nm] | n ₂ trans [rpm] | c | i | M ₂ max short-time M ₂ Gr on geared motor at | | | | n ₂ therm gearbox c=1 n ₁ ≤ 1400 rpm | | J _{GM} referred to motor shaft [kgm ²] | Servo helical- worm geared motor Dimensions on Page 7-47 |
|------------------------|-------------------------------|-----|---------|---|-------------|----------------------------|-------------|---|-------|---|---|
| | | | | 8 kHz | | 16 kHz | | [Nm] | [rpm] | | |
| | | | | M ₂ max [Nm] | Type EVS | M ₂ max [Nm] | Type EVS | | | | |
| 110 | 154 | 3.7 | 22.143 | 159 | 9323 | 211 | 9324 | 673 | 154 | 7.39E-04 | GSS06 - 2S □□□ 071C03 MDSKS□□ 071-03 170 |
| 135 | 125 | 3.5 | 27.125 | 195 | 9323 | 258 | 9324 | 718 | 125 | 7.04E-04 | GSS06 - 2S □□□ 071C03 MDSKS□□ 071-03 170 |
| 150 | 107 | 2.4 | 31.738 | 214 | 9323 | 283 | 9324 | 609 | 107 | 8.10E-04 | GSS06 - 2S □□□ 071C03 MDSKS□□ 071-03 170 |
| 175 | 96 | 3.3 | 35.306 | 253 | 9323 | 334 | 9324 | 720 | 96 | 6.66E-04 | GSS06 - 2S □□□ 071C03 MDSKS□□ 071-03 170 |
| 183 | 87 | 2.2 | 39.200 | 261 | 9323 | 345 | 9324 | 637 | 87 | 7.63E-04 | GSS06 - 2S □□□ 071C03 MDSKS□□ 071-03 170 |
| 219 | 77 | 2.8 | 43.917 | 313 | 9323 | 414 | 9324 | 720 | 77 | 6.47E-04 | GSS06 - 2S □□□ 071C03 MDSKS□□ 071-03 170 |
| 233 | 68 | 2.1 | 50.000 | 332 | 9323 | 439 | 9324 | 693 | 68 | 7.16E-04 | GSS06 - 2S □□□ 071C03 MDSKS□□ 071-03 170 |
| 255 | 63 | 2.1 | 54.250 | 363 | 9323 | 480 | 9324 | 720 | 63 | 6.95E-04 | GSS06 - 2S □□□ 071C03 MDSKS□□ 071-03 170 |
| 285 | 56 | 1.9 | 61.250 | 406 | 9323 | 536 | 9324 | 720 | 56 | 6.89E-04 | GSS06 - 2S □□□ 071C03 MDSKS□□ 071-03 170 |
| 331 | 48 | 1.8 | 70.611 | 469 | 9323 | 620 | 9324 | 720 | 48 | 6.61E-04 | GSS06 - 2S □□□ 071C03 MDSKS□□ 071-03 170 |
| 371 | 43 | 1.6 | 79.722 | 525 | 9323 | 694 | 9324 | 720 | 43 | 6.57E-04 | GSS06 - 2S □□□ 071C03 MDSKS□□ 071-03 170 |
| 411 | 39 | 1.5 | 87.833 | 581 | 9323 | 768 | 9324 | 720 | 39 | 6.44E-04 | GSS06 - 2S □□□ 071C03 MDSKS□□ 071-03 170 |
| 460 | 34 | 1.4 | 99.167 | 649 | 9323 | 858 | 9324 | 720 | 34 | 6.42E-04 | GSS06 - 2S □□□ 071C03 MDSKS□□ 071-03 170 |
| 530 | 30 | 1.3 | 113.667 | 748 | 9323 | 989 | 9324 | 720 | 30 | 6.28E-04 | GSS06 - 2S □□□ 071C03 MDSKS□□ 071-03 170 |
| 593 | 26 | 1.2 | 128.333 | 835 | 9323 | 1058 | 9324 | 720 | 26 | 6.26E-04 | GSS06 - 2S □□□ 071C03 MDSKS□□ 071-03 170 |
| 641 | 25 | 1.1 | 137.950 | 902 | 9323 | 1080 | 9324 | 720 | 25 | 6.20E-04 | GSS06 - 2S □□□ 071C03 MDSKS□□ 071-03 170 |
| 715 | 22 | 1.0 | 155.750 | 1005 | 9323 | 1080 | 9324 | 720 | 22 | 6.19E-04 | GSS06 - 2S □□□ 071C03 MDSKS□□ 071-03 170 |
| 76 | 361 | 3.3 | 10.238 | 116 | 9324 | 161 | 9325 | 397 | 361 | 1.08E-03 | GSS06 - 2S □□□ 071C13 MDSKS□□ 071-13 185 |
| 83 | 330 | 3.2 | 11.200 | 128 | 9324 | 176 | 9325 | 440 | 330 | 1.04E-03 | GSS06 - 2S □□□ 071C13 MDSKS□□ 071-13 185 |
| 106 | 259 | 3.1 | 14.286 | 163 | 9324 | 225 | 9325 | 513 | 259 | 9.63E-04 | GSS06 - 2S □□□ 071C13 MDSKS□□ 071-13 185 |
| 116 | 233 | 2.6 | 15.869 | 178 | 9324 | 245 | 9325 | 597 | 233 | 1.03E-03 | GSS06 - 2S □□□ 071C13 MDSKS□□ 071-13 185 |
| 127 | 213 | 2.5 | 17.360 | 194 | 9324 | 268 | 9325 | 624 | 213 | 1.00E-03 | GSS06 - 2S □□□ 071C13 MDSKS□□ 071-13 185 |
| 163 | 167 | 2.3 | 22.143 | 248 | 9324 | 341 | 9325 | 673 | 167 | 9.39E-04 | GSS06 - 2S □□□ 071C13 MDSKS□□ 071-13 185 |
| 199 | 136 | 2.2 | 27.125 | 303 | 9324 | 417 | 9325 | 718 | 136 | 9.04E-04 | GSS06 - 2S □□□ 071C13 MDSKS□□ 071-13 185 |
| 220 | 117 | 1.5 | 31.738 | 332 | 9324 | 458 | 9325 | 609 | 117 | 1.01E-03 | GSS06 - 2S □□□ 071C13 MDSKS□□ 071-13 185 |
| 259 | 105 | 2.1 | 35.306 | 393 | 9324 | 542 | 9325 | 720 | 105 | 8.66E-04 | GSS06 - 2S □□□ 071C13 MDSKS□□ 071-13 185 |
| 269 | 94 | 1.4 | 39.200 | 406 | 9324 | 560 | 9325 | 637 | 94 | 9.63E-04 | GSS06 - 2S □□□ 071C13 MDSKS□□ 071-13 185 |
| 322 | 84 | 1.9 | 43.917 | 487 | 9324 | 672 | 9325 | 720 | 84 | 8.47E-04 | GSS06 - 2S □□□ 071C13 MDSKS□□ 071-13 185 |
| 343 | 74 | 1.3 | 50.000 | 516 | 9324 | 680 | 9325 | 693 | 74 | 9.16E-04 | GSS06 - 2S □□□ 071C13 MDSKS□□ 071-13 185 |
| 374 | 68 | 1.3 | 54.250 | 564 | 9324 | 738 | 9325 | 720 | 68 | 8.95E-04 | GSS06 - 2S □□□ 071C13 MDSKS□□ 071-13 185 |
| 419 | 60 | 1.2 | 61.250 | 630 | 9324 | 784 | 9325 | 720 | 60 | 8.89E-04 | GSS06 - 2S □□□ 071C13 MDSKS□□ 071-13 185 |
| 485 | 52 | 1.2 | 70.611 | 729 | 9324 | 846 | 9325 | 720 | 52 | 8.61E-04 | GSS06 - 2S □□□ 071C13 MDSKS□□ 071-13 185 |
| 543 | 46 | 1.1 | 79.722 | 816 | 9324 | 858 | 9325 | 720 | 46 | 8.57E-04 | GSS06 - 2S □□□ 071C13 MDSKS□□ 071-13 185 |
| 602 | 42 | 1.0 | 87.833 | 903 | 9324 | 913 | 9325 | 720 | 42 | 8.44E-04 | GSS06 - 2S □□□ 071C13 MDSKS□□ 071-13 185 |

Observe the notes for thermal dimensioning.

Selection tables - Helical-worm gearboxes

Naturally ventilated synchronous geared servo motors



| M ₂ [Nm] | n _{2 trans} [rpm] | c | i | M _{2 max} short-time M _{2 Gr} on geared motor at | | | | n _{2 therm} gearbox c=1 n ₁ ≤ 1400 rpm | | J _{GM} referred to motor shaft [kgm ²] | Servo helical- worm geared motor Dimensions on Page 7-47 |
|------------------------|-------------------------------|------------|----------------|---|-------------|----------------------------|-------------|---|-----------|---|---|
| | | | | 8 kHz | | 16 kHz | | [Nm] | [rpm] | | |
| | | | | M _{2 max} [Nm] | Type EVS | M _{2 max} [Nm] | Type EVS | | | | |
| 114 | 352 | 2.2 | 10.238 | 224 | 9325 | 168 | 9325 | 397 | 352 | 1.28E-03 | GSS06 - 2S □□□ 071C33 MDSKS□□ 071-33 180 |
| 124 | 321 | 2.2 | 11.200 | 246 | 9325 | 184 | 9325 | 440 | 321 | 1.24E-03 | GSS06 - 2S □□□ 071C33 MDSKS□□ 071-33 180 |
| 159 | 252 | 2.1 | 14.286 | 314 | 9325 | 235 | 9325 | 513 | 252 | 1.16E-03 | GSS06 - 2S □□□ 071C33 MDSKS□□ 071-33 180 |
| 174 | 227 | 1.7 | 15.869 | 342 | 9325 | 256 | 9325 | 597 | 227 | 1.23E-03 | GSS06 - 2S □□□ 071C33 MDSKS□□ 071-33 180 |
| 190 | 207 | 1.7 | 17.360 | 374 | 9325 | 280 | 9325 | 624 | 207 | 1.20E-03 | GSS06 - 2S □□□ 071C33 MDSKS□□ 071-33 180 |
| 243 | 163 | 1.6 | 22.143 | 477 | 9325 | 357 | 9325 | 673 | 163 | 1.14E-03 | GSS06 - 2S □□□ 071C33 MDSKS□□ 071-33 180 |
| 297 | 133 | 1.5 | 27.125 | 583 | 9325 | 437 | 9325 | 718 | 133 | 1.10E-03 | GSS06 - 2S □□□ 071C33 MDSKS□□ 071-33 180 |
| 328 | 113 | 1.0 | 31.738 | 503 | 9325 | 479 | 9325 | 609 | 113 | 1.21E-03 | GSS06 - 2S □□□ 071C33 MDSKS□□ 071-33 180 |
| 387 | 102 | 1.4 | 35.306 | 757 | 9325 | 567 | 9325 | 720 | 102 | 1.07E-03 | GSS06 - 2S □□□ 071C33 MDSKS□□ 071-33 180 |
| 480 | 82 | 1.3 | 43.917 | 902 | 9325 | 703 | 9325 | 720 | 82 | 1.05E-03 | GSS06 - 2S □□□ 071C33 MDSKS□□ 071-33 180 |
| 276 | 30 | 1.4 | 126.531 | 458 | 9322 | 531 | 9323 | 720 | 30 | 1.71E-04 | GSS06 - 3S □□□ 056C23 MDSKS□□ 056-23 190 |
| 307 | 27 | 1.4 | 142.857 | 511 | 9322 | 591 | 9323 | 720 | 27 | 1.70E-04 | GSS06 - 3S □□□ 056C23 MDSKS□□ 056-23 190 |
| 336 | 25 | 1.2 | 155.000 | 557 | 9322 | 611 | 9323 | 720 | 25 | 1.67E-04 | GSS06 - 3S □□□ 056C23 MDSKS□□ 056-23 190 |
| 374 | 22 | 1.2 | 175.000 | 619 | 9322 | 680 | 9323 | 720 | 22 | 1.66E-04 | GSS06 - 3S □□□ 056C23 MDSKS□□ 056-23 190 |
| 418 | 20 | 1.0 | 194.857 | 638 | 9322 | 638 | 9323 | 720 | 20 | 1.54E-04 | GSS06 - 3S □□□ 056C23 MDSKS□□ 056-23 190 |
| 465 | 17 | 1.0 | 220.000 | 709 | 9322 | 709 | 9323 | 720 | 17 | 1.54E-04 | GSS06 - 3S □□□ 056C23 MDSKS□□ 056-23 190 |
| 563 | 27 | 1.2 | 126.531 | 793 | 9323 | 1047 | 9324 | 720 | 27 | 6.31E-04 | GSS06 - 3S □□□ 071C03 MDSKS□□ 071-03 170 |
| 628 | 24 | 1.1 | 142.857 | 884 | 9323 | 1058 | 9324 | 720 | 24 | 6.30E-04 | GSS06 - 3S □□□ 071C03 MDSKS□□ 071-03 170 |
| 685 | 22 | 1.1 | 155.000 | 963 | 9323 | 1080 | 9324 | 720 | 22 | 6.27E-04 | GSS06 - 3S □□□ 071C03 MDSKS□□ 071-03 170 |
| 257 | 33 | 4.6 | 113.667 | 443 | 9322 | 513 | 9323 | 1250 | 33 | 2.23E-04 | GSS07 - 2S □□□ 056C23 MDSKS□□ 056-23 190 |
| 288 | 30 | 4.2 | 128.333 | 495 | 9322 | 573 | 9323 | 1250 | 30 | 2.19E-04 | GSS07 - 2S □□□ 056C23 MDSKS□□ 056-23 190 |
| 313 | 28 | 3.9 | 137.950 | 535 | 9322 | 619 | 9323 | 1250 | 28 | 2.01E-04 | GSS07 - 2S □□□ 056C23 MDSKS□□ 056-23 190 |
| 351 | 24 | 3.4 | 155.750 | 598 | 9322 | 692 | 9323 | 1250 | 24 | 1.98E-04 | GSS07 - 2S □□□ 056C23 MDSKS□□ 056-23 190 |
| 395 | 22 | 3.1 | 174.375 | 670 | 9322 | 776 | 9323 | 1250 | 22 | 1.79E-04 | GSS07 - 2S □□□ 056C23 MDSKS□□ 056-23 190 |
| 444 | 19 | 2.7 | 196.875 | 749 | 9322 | 867 | 9323 | 1250 | 19 | 1.77E-04 | GSS07 - 2S □□□ 056C23 MDSKS□□ 056-23 190 |
| 393 | 35 | 3.1 | 113.667 | 659 | 9323 | 858 | 9324 | 1250 | 35 | 2.83E-04 | GSS07 - 2S □□□ 056C33 MDSKS□□ 056-33 200 |
| 440 | 31 | 2.8 | 128.333 | 736 | 9323 | 958 | 9324 | 1250 | 31 | 2.79E-04 | GSS07 - 2S □□□ 056C33 MDSKS□□ 056-33 200 |
| 476 | 29 | 2.6 | 137.950 | 795 | 9323 | 1035 | 9324 | 1250 | 29 | 2.61E-04 | GSS07 - 2S □□□ 056C33 MDSKS□□ 056-33 200 |
| 534 | 26 | 2.3 | 155.750 | 889 | 9323 | 1157 | 9324 | 1250 | 26 | 2.58E-04 | GSS07 - 2S □□□ 056C33 MDSKS□□ 056-33 200 |
| 600 | 23 | 2.0 | 174.375 | 996 | 9323 | 1297 | 9324 | 1250 | 23 | 2.39E-04 | GSS07 - 2S □□□ 056C33 MDSKS□□ 056-33 200 |
| 673 | 20 | 1.8 | 196.875 | 1113 | 9323 | 1450 | 9324 | 1250 | 20 | 2.37E-04 | GSS07 - 2S □□□ 056C33 MDSKS□□ 056-33 200 |
| 108 | 154 | 5.6 | 22.143 | 160 | 9323 | 212 | 9324 | 836 | 154 | 1.02E-03 | GSS07 - 2S □□□ 071C03 MDSKS□□ 071-03 170 |
| 174 | 96 | 4.9 | 35.306 | 255 | 9323 | 337 | 9324 | 1052 | 96 | 7.96E-04 | GSS07 - 2S □□□ 071C03 MDSKS□□ 071-03 170 |
| 213 | 79 | 4.7 | 43.271 | 312 | 9323 | 413 | 9324 | 1090 | 79 | 7.43E-04 | GSS07 - 2S □□□ 071C03 MDSKS□□ 071-03 170 |

Observe the notes for thermal dimensioning.

Selection tables - Helical-worm gearboxes

Naturally ventilated synchronous geared servo motors

| M ₂ [Nm] | n ₂ trans [rpm] | c | i | M ₂ max short-time M ₂ Gr on geared motor at | | | | n ₂ therm gearbox c=1 n ₁ ≤ 1400 rpm | | J _{GM} referred to motor shaft [kgm ²] | Servo helical- worm geared motor Dimensions on Page 7-47 |
|------------------------|-------------------------------|-----|---------|---|-------------|----------------------------|-------------|---|-------|---|---|
| | | | | 8 kHz | | 16 kHz | | [Nm] | [rpm] | | |
| | | | | M ₂ max [Nm] | Type EVS | M ₂ max [Nm] | Type EVS | | | | |
| 235 | 68 | 3.2 | 50.000 | 338 | 9323 | 447 | 9324 | 1250 | 68 | 9.53E-04 | GSS07 - 2S □□□ 071C03 MDSKS□□ 071-03 170 |
| 334 | 48 | 3.0 | 70.611 | 480 | 9323 | 635 | 9324 | 1250 | 48 | 7.81E-04 | GSS07 - 2S □□□ 071C03 MDSKS□□ 071-03 170 |
| 374 | 43 | 2.8 | 79.722 | 537 | 9323 | 710 | 9324 | 1250 | 43 | 7.70E-04 | GSS07 - 2S □□□ 071C03 MDSKS□□ 071-03 170 |
| 409 | 39 | 2.8 | 86.542 | 587 | 9323 | 777 | 9324 | 1250 | 39 | 7.34E-04 | GSS07 - 2S □□□ 071C03 MDSKS□□ 071-03 170 |
| 458 | 35 | 2.5 | 97.708 | 656 | 9323 | 868 | 9324 | 1250 | 35 | 7.26E-04 | GSS07 - 2S □□□ 071C03 MDSKS□□ 071-03 170 |
| 538 | 30 | 2.3 | 113.667 | 767 | 9323 | 1014 | 9324 | 1250 | 30 | 6.83E-04 | GSS07 - 2S □□□ 071C03 MDSKS□□ 071-03 170 |
| 602 | 26 | 2.1 | 128.333 | 857 | 9323 | 1133 | 9324 | 1250 | 26 | 6.79E-04 | GSS07 - 2S □□□ 071C03 MDSKS□□ 071-03 170 |
| 651 | 25 | 1.9 | 137.950 | 925 | 9323 | 1223 | 9324 | 1250 | 25 | 6.61E-04 | GSS07 - 2S □□□ 071C03 MDSKS□□ 071-03 170 |
| 730 | 22 | 1.7 | 155.750 | 1034 | 9323 | 1368 | 9324 | 1250 | 22 | 6.58E-04 | GSS07 - 2S □□□ 071C03 MDSKS□□ 071-03 170 |
| 820 | 20 | 1.5 | 174.375 | 1159 | 9323 | 1533 | 9324 | 1250 | 20 | 6.39E-04 | GSS07 - 2S □□□ 071C03 MDSKS□□ 071-03 170 |
| 918 | 17 | 1.4 | 196.875 | 1296 | 9323 | 1714 | 9324 | 1250 | 17 | 6.37E-04 | GSS07 - 2S □□□ 071C03 MDSKS□□ 071-03 170 |
| 106 | 259 | 4.5 | 14.286 | 165 | 9324 | 227 | 9325 | 559 | 259 | 1.28E-03 | GSS07 - 2S □□□ 071C13 MDSKS□□ 071-13 185 |
| 162 | 167 | 3.5 | 22.143 | 249 | 9324 | 344 | 9325 | 836 | 167 | 1.22E-03 | GSS07 - 2S □□□ 071C13 MDSKS□□ 071-13 185 |
| 258 | 105 | 3.1 | 35.306 | 397 | 9324 | 547 | 9325 | 1052 | 105 | 9.96E-04 | GSS07 - 2S □□□ 071C13 MDSKS□□ 071-13 185 |
| 317 | 86 | 2.9 | 43.271 | 485 | 9324 | 669 | 9325 | 1090 | 86 | 9.43E-04 | GSS07 - 2S □□□ 071C13 MDSKS□□ 071-13 185 |
| 346 | 74 | 2.0 | 50.000 | 526 | 9324 | 725 | 9325 | 1250 | 74 | 1.15E-03 | GSS07 - 2S □□□ 071C13 MDSKS□□ 071-13 185 |
| 493 | 52 | 1.9 | 70.611 | 747 | 9324 | 1030 | 9325 | 1250 | 52 | 9.81E-04 | GSS07 - 2S □□□ 071C13 MDSKS□□ 071-13 185 |
| 551 | 46 | 1.8 | 79.722 | 834 | 9324 | 1151 | 9325 | 1250 | 46 | 9.70E-04 | GSS07 - 2S □□□ 071C13 MDSKS□□ 071-13 185 |
| 603 | 43 | 1.8 | 86.542 | 913 | 9324 | 1259 | 9325 | 1250 | 43 | 9.34E-04 | GSS07 - 2S □□□ 071C13 MDSKS□□ 071-13 185 |
| 675 | 38 | 1.7 | 97.708 | 1020 | 9324 | 1406 | 9325 | 1250 | 38 | 9.26E-04 | GSS07 - 2S □□□ 071C13 MDSKS□□ 071-13 185 |
| 790 | 33 | 1.5 | 113.667 | 1192 | 9324 | 1644 | 9325 | 1250 | 33 | 8.83E-04 | GSS07 - 2S □□□ 071C13 MDSKS□□ 071-13 185 |
| 883 | 29 | 1.4 | 128.333 | 1332 | 9324 | 1836 | 9325 | 1250 | 29 | 8.79E-04 | GSS07 - 2S □□□ 071C13 MDSKS□□ 071-13 185 |
| 955 | 27 | 1.3 | 137.950 | 1438 | 9324 | 1868 | 9325 | 1250 | 27 | 8.61E-04 | GSS07 - 2S □□□ 071C13 MDSKS□□ 071-13 185 |
| 1070 | 24 | 1.2 | 155.750 | 1608 | 9324 | 1869 | 9325 | 1250 | 24 | 8.58E-04 | GSS07 - 2S □□□ 071C13 MDSKS□□ 071-13 185 |
| 1201 | 21 | 1.0 | 174.375 | 1802 | 9324 | 1866 | 9325 | 1250 | 21 | 8.39E-04 | GSS07 - 2S □□□ 071C13 MDSKS□□ 071-13 185 |
| 159 | 252 | 3.1 | 14.286 | 318 | 9325 | 238 | 9325 | 559 | 252 | 1.48E-03 | GSS07 - 2S □□□ 071C33 MDSKS□□ 071-33 180 |
| 243 | 163 | 2.4 | 22.143 | 480 | 9325 | 360 | 9325 | 836 | 163 | 1.42E-03 | GSS07 - 2S □□□ 071C33 MDSKS□□ 071-33 180 |
| 387 | 102 | 2.1 | 35.306 | 764 | 9325 | 572 | 9325 | 1052 | 102 | 1.20E-03 | GSS07 - 2S □□□ 071C33 MDSKS□□ 071-33 180 |
| 474 | 83 | 2.0 | 43.271 | 935 | 9325 | 700 | 9325 | 1090 | 83 | 1.14E-03 | GSS07 - 2S □□□ 071C33 MDSKS□□ 071-33 180 |
| 517 | 72 | 1.4 | 50.000 | 1013 | 9325 | 759 | 9325 | 1250 | 72 | 1.35E-03 | GSS07 - 2S □□□ 071C33 MDSKS□□ 071-33 180 |
| 735 | 51 | 1.3 | 70.611 | 1402 | 9325 | 1077 | 9325 | 1250 | 51 | 1.18E-03 | GSS07 - 2S □□□ 071C33 MDSKS□□ 071-33 180 |
| 822 | 45 | 1.2 | 79.722 | 1486 | 9325 | 1203 | 9325 | 1250 | 45 | 1.17E-03 | GSS07 - 2S □□□ 071C33 MDSKS□□ 071-33 180 |
| 900 | 42 | 1.2 | 86.542 | 1629 | 9325 | 1317 | 9325 | 1250 | 42 | 1.13E-03 | GSS07 - 2S □□□ 071C33 MDSKS□□ 071-33 180 |
| 1006 | 37 | 1.1 | 97.708 | 1700 | 9325 | 1471 | 9325 | 1250 | 37 | 1.13E-03 | GSS07 - 2S □□□ 071C33 MDSKS□□ 071-33 180 |

Observe the notes for thermal dimensioning.

Selection tables - Helical-worm gearboxes

Naturally ventilated synchronous geared servo motors



| M ₂ [Nm] | n _{2 trans} [rpm] | c | i | M _{2 max} short-time M _{2 Gr} on geared motor at | | | | n _{2 therm} gearbox c=1 n ₁ ≤ 1400 rpm | | J _{GM} referred to motor shaft [kgm ²] | Servo helical- worm geared motor Dimensions on Page 7-47 |
|------------------------|-------------------------------|------------|----------------|---|-------------|----------------------------|-------------|---|-----------|---|---|
| | | | | 8 kHz | | 16 kHz | | [Nm] | [rpm] | | |
| | | | | M _{2 max} [Nm] | Type EVS | M _{2 max} [Nm] | Type EVS | | | | |
| 1177 | 32 | 1.0 | 113.667 | 1842 | 9325 | 1720 | 9325 | 1250 | 32 | 1.08E-03 | GSS07 - 2S □□□ 071C33 MDSKS□□ 071-33 180 |
| 278 | 30 | 2.7 | 126.531 | 470 | 9322 | 544 | 9323 | 1250 | 30 | 2.26E-04 | GSS07 - 3S □□□ 056C23 MDSKS□□ 056-23 190 |
| 311 | 27 | 2.6 | 142.857 | 525 | 9322 | 608 | 9323 | 1250 | 27 | 2.22E-04 | GSS07 - 3S □□□ 056C23 MDSKS□□ 056-23 190 |
| 339 | 25 | 2.6 | 155.000 | 572 | 9322 | 662 | 9323 | 1250 | 25 | 2.14E-04 | GSS07 - 3S □□□ 056C23 MDSKS□□ 056-23 190 |
| 380 | 22 | 2.5 | 175.000 | 640 | 9322 | 741 | 9323 | 1250 | 22 | 2.12E-04 | GSS07 - 3S □□□ 056C23 MDSKS□□ 056-23 190 |
| 439 | 19 | 2.3 | 201.746 | 737 | 9322 | 853 | 9323 | 1250 | 19 | 1.77E-04 | GSS07 - 3S □□□ 056C23 MDSKS□□ 056-23 190 |
| 491 | 17 | 2.2 | 227.778 | 823 | 9322 | 953 | 9323 | 1250 | 17 | 1.76E-04 | GSS07 - 3S □□□ 056C23 MDSKS□□ 056-23 190 |
| 535 | 15 | 2.0 | 247.139 | 896 | 9322 | 1037 | 9323 | 1250 | 15 | 1.73E-04 | GSS07 - 3S □□□ 056C23 MDSKS□□ 056-23 190 |
| 597 | 14 | 1.9 | 279.028 | 998 | 9322 | 1156 | 9323 | 1250 | 14 | 1.72E-04 | GSS07 - 3S □□□ 056C23 MDSKS□□ 056-23 190 |
| 695 | 12 | 1.4 | 321.673 | 1155 | 9322 | 1337 | 9323 | 1250 | 12 | 1.68E-04 | GSS07 - 3S □□□ 056C23 MDSKS□□ 056-23 190 |
| 771 | 10 | 1.4 | 363.179 | 1281 | 9322 | 1483 | 9323 | 1250 | 10 | 1.68E-04 | GSS07 - 3S □□□ 056C23 MDSKS□□ 056-23 190 |
| 847 | 9.6 | 1.2 | 394.245 | 1404 | 9322 | 1560 | 9323 | 1250 | 9.6 | 1.66E-04 | GSS07 - 3S □□□ 056C23 MDSKS□□ 056-23 190 |
| 936 | 8.5 | 1.2 | 445.116 | 1553 | 9322 | 1725 | 9323 | 1250 | 8.5 | 1.65E-04 | GSS07 - 3S □□□ 056C23 MDSKS□□ 056-23 190 |
| 1035 | 7.8 | 1.1 | 490.403 | 1663 | 9322 | 1663 | 9323 | 1250 | 7.8 | 1.58E-04 | GSS07 - 3S □□□ 056C23 MDSKS□□ 056-23 190 |
| 1151 | 6.9 | 1.0 | 553.681 | 1774 | 9322 | 1774 | 9323 | 1250 | 6.9 | 1.58E-04 | GSS07 - 3S □□□ 056C23 MDSKS□□ 056-23 190 |
| 422 | 32 | 1.8 | 126.531 | 699 | 9323 | 910 | 9324 | 1250 | 32 | 2.86E-04 | GSS07 - 3S □□□ 056C33 MDSKS□□ 056-33 200 |
| 472 | 28 | 1.7 | 142.857 | 781 | 9323 | 1017 | 9324 | 1250 | 28 | 2.82E-04 | GSS07 - 3S □□□ 056C33 MDSKS□□ 056-33 200 |
| 514 | 26 | 1.7 | 155.000 | 850 | 9323 | 1107 | 9324 | 1250 | 26 | 2.74E-04 | GSS07 - 3S □□□ 056C33 MDSKS□□ 056-33 200 |
| 576 | 23 | 1.7 | 175.000 | 951 | 9323 | 1238 | 9324 | 1250 | 23 | 2.72E-04 | GSS07 - 3S □□□ 056C33 MDSKS□□ 056-33 200 |
| 664 | 20 | 1.5 | 201.746 | 1095 | 9323 | 1426 | 9324 | 1250 | 20 | 2.37E-04 | GSS07 - 3S □□□ 056C33 MDSKS□□ 056-33 200 |
| 743 | 18 | 1.4 | 227.778 | 1224 | 9323 | 1593 | 9324 | 1250 | 18 | 2.36E-04 | GSS07 - 3S □□□ 056C33 MDSKS□□ 056-33 200 |
| 809 | 16 | 1.3 | 247.139 | 1331 | 9323 | 1606 | 9324 | 1250 | 16 | 2.33E-04 | GSS07 - 3S □□□ 056C33 MDSKS□□ 056-33 200 |
| 902 | 14 | 1.3 | 279.028 | 1483 | 9323 | 1719 | 9324 | 1250 | 14 | 2.32E-04 | GSS07 - 3S □□□ 056C33 MDSKS□□ 056-33 200 |
| 571 | 27 | 2.2 | 126.531 | 813 | 9323 | 1075 | 9324 | 1250 | 27 | 6.86E-04 | GSS07 - 3S □□□ 071C03 MDSKS□□ 071-03 170 |
| 639 | 24 | 1.9 | 142.857 | 909 | 9323 | 1202 | 9324 | 1250 | 24 | 6.82E-04 | GSS07 - 3S □□□ 071C03 MDSKS□□ 071-03 170 |
| 697 | 22 | 1.8 | 155.000 | 989 | 9323 | 1308 | 9324 | 1250 | 22 | 6.74E-04 | GSS07 - 3S □□□ 071C03 MDSKS□□ 071-03 170 |
| 782 | 19 | 1.6 | 175.000 | 1107 | 9323 | 1463 | 9324 | 1250 | 19 | 6.72E-04 | GSS07 - 3S □□□ 071C03 MDSKS□□ 071-03 170 |
| 903 | 17 | 1.4 | 201.746 | 1275 | 9323 | 1685 | 9324 | 1250 | 17 | 6.37E-04 | GSS07 - 3S □□□ 071C03 MDSKS□□ 071-03 170 |
| 1011 | 15 | 1.2 | 227.778 | 1424 | 9323 | 1875 | 9324 | 1250 | 15 | 6.36E-04 | GSS07 - 3S □□□ 071C03 MDSKS□□ 071-03 170 |
| 1101 | 14 | 1.1 | 247.139 | 1549 | 9323 | 1875 | 9324 | 1250 | 14 | 6.33E-04 | GSS07 - 3S □□□ 071C03 MDSKS□□ 071-03 170 |
| 1229 | 12 | 1.0 | 279.028 | 1727 | 9323 | 1875 | 9324 | 1250 | 12 | 6.32E-04 | GSS07 - 3S □□□ 071C03 MDSKS□□ 071-03 170 |

Observe the notes for thermal dimensioning.

Selection tables - Helical-worm gearboxes

Forced ventilated synchronous geared servo motors

| M ₂ [Nm] | n ₂ trans [rpm] | c | i | M ₂ max short-time M ₂ Gr on geared motor at | | | | n ₂ therm gearbox c=1 n ₁ ≤ 1400 rpm | | J _G M referred to motor shaft [kgm ²] | Servo helical- worm geared motor Dimensions on Page 7-47 |
|------------------------|-------------------------------|-----|--------|---|-------------|----------------------------|-------------|---|-------|--|---|
| | | | | 8 kHz | | 16 kHz | | [Nm] | [rpm] | | |
| | | | | M ₂ max [Nm] | Type EVS | M ₂ max [Nm] | Type EVS | | | | |
| 37 | 585 | 1.5 | 5.639 | 68 | 9324 | 53 | 9324 | 149 | 585 | 7.12E-04 | GSS04 - 2S □□□ 071C03 MDFKS□□ 071-03 165 |
| 51 | 427 | 1.7 | 7.733 | 94 | 9324 | 73 | 9324 | 158 | 427 | 6.65E-04 | GSS04 - 2S □□□ 071C03 MDFKS□□ 071-03 165 |
| 60 | 365 | 1.8 | 9.042 | 110 | 9324 | 85 | 9324 | 154 | 365 | 6.81E-04 | GSS04 - 2S □□□ 071C03 MDFKS□□ 071-03 165 |
| 66 | 333 | 1.7 | 9.897 | 122 | 9324 | 94 | 9324 | 161 | 333 | 6.43E-04 | GSS04 - 2S □□□ 071C03 MDFKS□□ 071-03 165 |
| 73 | 305 | 1.7 | 10.827 | 133 | 9324 | 103 | 9324 | 161 | 305 | 6.37E-04 | GSS04 - 2S □□□ 071C03 MDFKS□□ 071-03 165 |
| 82 | 266 | 1.5 | 12.400 | 151 | 9324 | 117 | 9324 | 170 | 266 | 6.49E-04 | GSS04 - 2S □□□ 071C03 MDFKS□□ 071-03 165 |
| 93 | 239 | 1.6 | 13.810 | 171 | 9324 | 132 | 9324 | 163 | 239 | 6.25E-04 | GSS04 - 2S □□□ 071C03 MDFKS□□ 071-03 165 |
| 105 | 208 | 1.3 | 15.869 | 193 | 9324 | 149 | 9324 | 180 | 208 | 6.33E-04 | GSS04 - 2S □□□ 071C03 MDFKS□□ 071-03 165 |
| 115 | 190 | 1.2 | 17.360 | 211 | 9324 | 163 | 9324 | 180 | 190 | 6.28E-04 | GSS04 - 2S □□□ 071C03 MDFKS□□ 071-03 165 |
| 147 | 149 | 1.0 | 22.143 | 230 | 9324 | 207 | 9324 | 180 | 149 | 6.20E-04 | GSS04 - 2S □□□ 071C03 MDFKS□□ 071-03 165 |
| 88 | 398 | 1.1 | 9.042 | 147 | 9325 | 138 | 9325 | 154 | 398 | 8.81E-04 | GSS04 - 2S □□□ 071C13 MDFKS□□ 071-13 180 |
| 98 | 364 | 1.0 | 9.897 | 153 | 9325 | 153 | 9325 | 161 | 364 | 8.43E-04 | GSS04 - 2S □□□ 071C13 MDFKS□□ 071-13 180 |
| 107 | 333 | 1.0 | 10.827 | 168 | 9325 | 168 | 9325 | 161 | 333 | 8.37E-04 | GSS04 - 2S □□□ 071C13 MDFKS□□ 071-13 180 |
| 137 | 261 | 1.0 | 13.810 | 216 | 9325 | 215 | 9325 | 163 | 261 | 8.25E-04 | GSS04 - 2S □□□ 071C13 MDFKS□□ 071-13 180 |
| 37 | 585 | 3.1 | 5.639 | 69 | 9324 | 54 | 9324 | 219 | 585 | 8.82E-04 | GSS05 - 2S □□□ 071C03 MDFKS□□ 071-03 165 |
| 51 | 427 | 2.9 | 7.733 | 96 | 9324 | 74 | 9324 | 267 | 427 | 7.66E-04 | GSS05 - 2S □□□ 071C03 MDFKS□□ 071-03 165 |
| 58 | 365 | 2.2 | 9.042 | 107 | 9324 | 83 | 9324 | 251 | 365 | 8.01E-04 | GSS05 - 2S □□□ 071C03 MDFKS□□ 071-03 165 |
| 66 | 333 | 2.7 | 9.897 | 123 | 9324 | 95 | 9324 | 271 | 333 | 7.10E-04 | GSS05 - 2S □□□ 071C03 MDFKS□□ 071-03 165 |
| 72 | 305 | 2.6 | 10.827 | 135 | 9324 | 104 | 9324 | 272 | 305 | 6.94E-04 | GSS05 - 2S □□□ 071C03 MDFKS□□ 071-03 165 |
| 80 | 266 | 2.3 | 12.400 | 149 | 9324 | 115 | 9324 | 279 | 266 | 7.23E-04 | GSS05 - 2S □□□ 071C03 MDFKS□□ 071-03 165 |
| 93 | 239 | 2.4 | 13.810 | 172 | 9324 | 133 | 9324 | 275 | 239 | 6.64E-04 | GSS05 - 2S □□□ 071C03 MDFKS□□ 071-03 165 |
| 104 | 208 | 2.1 | 15.869 | 191 | 9324 | 148 | 9324 | 301 | 208 | 6.84E-04 | GSS05 - 2S □□□ 071C03 MDFKS□□ 071-03 165 |
| 114 | 190 | 2.0 | 17.360 | 210 | 9324 | 162 | 9324 | 311 | 190 | 6.72E-04 | GSS05 - 2S □□□ 071C03 MDFKS□□ 071-03 165 |
| 118 | 162 | 1.2 | 20.417 | 211 | 9324 | 167 | 9324 | 253 | 162 | 7.60E-04 | GSS05 - 2S □□□ 071C03 MDFKS□□ 071-03 165 |
| 146 | 149 | 1.7 | 22.143 | 268 | 9324 | 208 | 9324 | 337 | 149 | 6.50E-04 | GSS05 - 2S □□□ 071C03 MDFKS□□ 071-03 165 |
| 150 | 133 | 1.3 | 24.800 | 274 | 9324 | 212 | 9324 | 280 | 133 | 7.06E-04 | GSS05 - 2S □□□ 071C03 MDFKS□□ 071-03 165 |
| 179 | 122 | 1.5 | 27.125 | 329 | 9324 | 255 | 9324 | 360 | 122 | 6.38E-04 | GSS05 - 2S □□□ 071C03 MDFKS□□ 071-03 165 |
| 194 | 104 | 1.1 | 31.738 | 329 | 9324 | 274 | 9324 | 306 | 104 | 6.73E-04 | GSS05 - 2S □□□ 071C03 MDFKS□□ 071-03 165 |
| 234 | 93 | 1.2 | 35.306 | 429 | 9324 | 332 | 9324 | 360 | 93 | 6.23E-04 | GSS05 - 2S □□□ 071C03 MDFKS□□ 071-03 165 |
| 292 | 75 | 1.1 | 43.917 | 470 | 9324 | 413 | 9324 | 360 | 75 | 6.17E-04 | GSS05 - 2S □□□ 071C03 MDFKS□□ 071-03 165 |
| 55 | 638 | 2.0 | 5.639 | 110 | 9325 | 87 | 9325 | 219 | 638 | 1.08E-03 | GSS05 - 2S □□□ 071C13 MDFKS□□ 071-13 180 |
| 76 | 466 | 1.8 | 7.733 | 152 | 9325 | 120 | 9325 | 267 | 466 | 9.66E-04 | GSS05 - 2S □□□ 071C13 MDFKS□□ 071-13 180 |
| 86 | 398 | 1.2 | 9.042 | 156 | 9325 | 134 | 9325 | 251 | 398 | 1.00E-03 | GSS05 - 2S □□□ 071C13 MDFKS□□ 071-13 180 |
| 98 | 364 | 1.7 | 9.897 | 196 | 9325 | 154 | 9325 | 271 | 364 | 9.10E-04 | GSS05 - 2S □□□ 071C13 MDFKS□□ 071-13 180 |

Observe the notes for thermal dimensioning.

Selection tables - Helical-worm gearboxes

Forced ventilated synchronous geared servo motors



| M ₂ [Nm] | n ₂ trans [rpm] | c | i | M ₂ max short-time M ₂ Gr on geared motor at | | | | n ₂ therm gearbox c=1 n ₁ ≤ 1400 rpm | | J _{GM} referred to motor shaft [kgm ²] | Servo helical- worm geared motor Dimensions on Page 7-47 |
|------------------------|-------------------------------|-----|--------|---|-------------|----------------------------|-------------|---|-------------|---|---|
| | | | | 8 kHz | | 16 kHz | | M ₂ max [Nm] | Type EVS | | |
| | | | | M ₂ max [Nm] | Type EVS | M ₂ max [Nm] | Type EVS | | | [rpm] | |
| 107 | 333 | 1.6 | 10.827 | 215 | 9325 | 169 | 9325 | 272 | 333 | 8.94E-04 | GSS05 - 2S □□□ 071C13 MDFKS□□ 071-13 180 |
| 119 | 290 | 1.4 | 12.400 | 237 | 9325 | 187 | 9325 | 279 | 290 | 9.23E-04 | GSS05 - 2S □□□ 071C13 MDFKS□□ 071-13 180 |
| 138 | 261 | 1.5 | 13.810 | 275 | 9325 | 216 | 9325 | 275 | 261 | 8.64E-04 | GSS05 - 2S □□□ 071C13 MDFKS□□ 071-13 180 |
| 153 | 227 | 1.4 | 15.869 | 305 | 9325 | 240 | 9325 | 301 | 227 | 8.84E-04 | GSS05 - 2S □□□ 071C13 MDFKS□□ 071-13 180 |
| 168 | 207 | 1.3 | 17.360 | 330 | 9325 | 263 | 9325 | 311 | 207 | 8.72E-04 | GSS05 - 2S □□□ 071C13 MDFKS□□ 071-13 180 |
| 215 | 163 | 1.1 | 22.143 | 358 | 9325 | 337 | 9325 | 337 | 163 | 8.50E-04 | GSS05 - 2S □□□ 071C13 MDFKS□□ 071-13 180 |
| 81 | 621 | 1.5 | 5.639 | 121 | 9325 | 139 | 9326 | 219 | 621 | 1.28E-03 | GSS05 - 2S □□□ 071C33 MDFKS□□ 071-33 175 |
| 113 | 453 | 1.3 | 7.733 | 168 | 9325 | 192 | 9326 | 267 | 453 | 1.17E-03 | GSS05 - 2S □□□ 071C33 MDFKS□□ 071-33 175 |
| 126 | 387 | 1.0 | 9.042 | 187 | 9325 | 190 | 9326 | 251 | 387 | 1.20E-03 | GSS05 - 2S □□□ 071C33 MDFKS□□ 071-33 175 |
| 145 | 354 | 1.2 | 9.897 | 215 | 9325 | 247 | 9326 | 271 | 354 | 1.11E-03 | GSS05 - 2S □□□ 071C33 MDFKS□□ 071-33 175 |
| 159 | 323 | 1.2 | 10.827 | 236 | 9325 | 271 | 9326 | 272 | 323 | 1.09E-03 | GSS05 - 2S □□□ 071C33 MDFKS□□ 071-33 175 |
| 176 | 282 | 1.1 | 12.400 | 261 | 9325 | 280 | 9326 | 279 | 282 | 1.12E-03 | GSS05 - 2S □□□ 071C33 MDFKS□□ 071-33 175 |
| 204 | 253 | 1.1 | 13.810 | 302 | 9325 | 340 | 9326 | 275 | 253 | 1.06E-03 | GSS05 - 2S □□□ 071C33 MDFKS□□ 071-33 175 |
| 68 | 322 | 4.0 | 10.238 | 128 | 9324 | 99 | 9324 | 397 | 322 | 8.81E-04 | GSS06 - 2S □□□ 071C03 MDFKS□□ 071-03 165 |
| 74 | 295 | 4.0 | 11.200 | 140 | 9324 | 109 | 9324 | 440 | 295 | 8.39E-04 | GSS06 - 2S □□□ 071C03 MDFKS□□ 071-03 165 |
| 95 | 231 | 3.7 | 14.286 | 179 | 9324 | 139 | 9324 | 513 | 231 | 7.63E-04 | GSS06 - 2S □□□ 071C03 MDFKS□□ 071-03 165 |
| 105 | 208 | 3.1 | 15.869 | 195 | 9324 | 151 | 9324 | 597 | 208 | 8.35E-04 | GSS06 - 2S □□□ 071C03 MDFKS□□ 071-03 165 |
| 114 | 190 | 3.0 | 17.360 | 214 | 9324 | 165 | 9324 | 624 | 190 | 8.01E-04 | GSS06 - 2S □□□ 071C03 MDFKS□□ 071-03 165 |
| 146 | 149 | 2.8 | 22.143 | 272 | 9324 | 211 | 9324 | 673 | 149 | 7.39E-04 | GSS06 - 2S □□□ 071C03 MDFKS□□ 071-03 165 |
| 179 | 122 | 2.7 | 27.125 | 333 | 9324 | 258 | 9324 | 718 | 122 | 7.04E-04 | GSS06 - 2S □□□ 071C03 MDFKS□□ 071-03 165 |
| 198 | 104 | 1.8 | 31.738 | 365 | 9324 | 283 | 9324 | 609 | 104 | 8.10E-04 | GSS06 - 2S □□□ 071C03 MDFKS□□ 071-03 165 |
| 233 | 93 | 2.5 | 35.306 | 432 | 9324 | 334 | 9324 | 720 | 93 | 6.66E-04 | GSS06 - 2S □□□ 071C03 MDFKS□□ 071-03 165 |
| 242 | 84 | 1.7 | 39.200 | 446 | 9324 | 345 | 9324 | 637 | 84 | 7.63E-04 | GSS06 - 2S □□□ 071C03 MDFKS□□ 071-03 165 |
| 290 | 75 | 2.1 | 43.917 | 535 | 9324 | 414 | 9324 | 720 | 75 | 6.47E-04 | GSS06 - 2S □□□ 071C03 MDFKS□□ 071-03 165 |
| 309 | 66 | 1.6 | 50.000 | 567 | 9324 | 439 | 9324 | 693 | 66 | 7.16E-04 | GSS06 - 2S □□□ 071C03 MDFKS□□ 071-03 165 |
| 337 | 61 | 1.6 | 54.250 | 619 | 9324 | 480 | 9324 | 720 | 61 | 6.95E-04 | GSS06 - 2S □□□ 071C03 MDFKS□□ 071-03 165 |
| 378 | 54 | 1.4 | 61.250 | 693 | 9324 | 536 | 9324 | 720 | 54 | 6.89E-04 | GSS06 - 2S □□□ 071C03 MDFKS□□ 071-03 165 |
| 437 | 47 | 1.3 | 70.611 | 801 | 9324 | 620 | 9324 | 720 | 47 | 6.61E-04 | GSS06 - 2S □□□ 071C03 MDFKS□□ 071-03 165 |
| 490 | 41 | 1.2 | 79.722 | 896 | 9324 | 694 | 9324 | 720 | 41 | 6.57E-04 | GSS06 - 2S □□□ 071C03 MDFKS□□ 071-03 165 |
| 543 | 38 | 1.2 | 87.833 | 956 | 9324 | 768 | 9324 | 720 | 38 | 6.44E-04 | GSS06 - 2S □□□ 071C03 MDFKS□□ 071-03 165 |
| 607 | 33 | 1.1 | 99.167 | 968 | 9324 | 858 | 9324 | 720 | 33 | 6.42E-04 | GSS06 - 2S □□□ 071C03 MDFKS□□ 071-03 165 |
| 101 | 352 | 2.5 | 10.238 | 204 | 9325 | 161 | 9325 | 397 | 352 | 1.08E-03 | GSS06 - 2S □□□ 071C13 MDFKS□□ 071-13 180 |
| 111 | 321 | 2.4 | 11.200 | 224 | 9325 | 176 | 9325 | 440 | 321 | 1.04E-03 | GSS06 - 2S □□□ 071C13 MDFKS□□ 071-13 180 |
| 142 | 252 | 2.3 | 14.286 | 286 | 9325 | 225 | 9325 | 513 | 252 | 9.63E-04 | GSS06 - 2S □□□ 071C13 MDFKS□□ 071-13 180 |

Observe the notes for thermal dimensioning.

Selection tables - Helical-worm gearboxes

Forced ventilated synchronous geared servo motors

| M ₂ [Nm] | n _{2 trans} [rpm] | c | i | M _{2 max} short-time M _{2 Gr} on geared motor at | | | | n _{2 therm} gearbox c=1 n ₁ ≤ 1400 rpm | | J _G M referred to motor shaft [kgm ²] | Servo helical- worm geared motor Dimensions on Page 7-47 |
|------------------------|-------------------------------|-----|---------|---|-------------|----------------------------|-------------|---|-------|--|---|
| | | | | 8 kHz | | 16 kHz | | [Nm] | [rpm] | | |
| | | | | M _{2 max} [Nm] | Type EVS | M _{2 max} [Nm] | Type EVS | | | | |
| 155 | 227 | 1.9 | 15.869 | 311 | 9325 | 245 | 9325 | 597 | 227 | 1.03E-03 | GSS06 - 2S □□□ 071C13 MDFKS□□ 071-13 180 |
| 170 | 207 | 1.9 | 17.360 | 341 | 9325 | 268 | 9325 | 624 | 207 | 1.00E-03 | GSS06 - 2S □□□ 071C13 MDFKS□□ 071-13 180 |
| 217 | 163 | 1.8 | 22.143 | 434 | 9325 | 341 | 9325 | 673 | 163 | 9.39E-04 | GSS06 - 2S □□□ 071C13 MDFKS□□ 071-13 180 |
| 265 | 133 | 1.7 | 27.125 | 531 | 9325 | 417 | 9325 | 718 | 133 | 9.04E-04 | GSS06 - 2S □□□ 071C13 MDFKS□□ 071-13 180 |
| 293 | 113 | 1.1 | 31.738 | 503 | 9325 | 458 | 9325 | 609 | 113 | 1.01E-03 | GSS06 - 2S □□□ 071C13 MDFKS□□ 071-13 180 |
| 345 | 102 | 1.6 | 35.306 | 689 | 9325 | 542 | 9325 | 720 | 102 | 8.66E-04 | GSS06 - 2S □□□ 071C13 MDFKS□□ 071-13 180 |
| 358 | 92 | 1.1 | 39.200 | 573 | 9325 | 560 | 9325 | 637 | 92 | 9.63E-04 | GSS06 - 2S □□□ 071C13 MDFKS□□ 071-13 180 |
| 428 | 82 | 1.4 | 43.917 | 854 | 9325 | 672 | 9325 | 720 | 82 | 8.47E-04 | GSS06 - 2S □□□ 071C13 MDFKS□□ 071-13 180 |
| 150 | 342 | 1.9 | 10.238 | 224 | 9325 | 258 | 9326 | 397 | 342 | 1.28E-03 | GSS06 - 2S □□□ 071C33 MDFKS□□ 071-33 175 |
| 164 | 313 | 1.8 | 11.200 | 246 | 9325 | 282 | 9326 | 440 | 313 | 1.24E-03 | GSS06 - 2S □□□ 071C33 MDFKS□□ 071-33 175 |
| 211 | 245 | 1.7 | 14.286 | 314 | 9325 | 361 | 9326 | 513 | 245 | 1.16E-03 | GSS06 - 2S □□□ 071C33 MDFKS□□ 071-33 175 |
| 230 | 221 | 1.4 | 15.869 | 342 | 9325 | 393 | 9326 | 597 | 221 | 1.23E-03 | GSS06 - 2S □□□ 071C33 MDFKS□□ 071-33 175 |
| 252 | 202 | 1.4 | 17.360 | 374 | 9325 | 430 | 9326 | 624 | 202 | 1.20E-03 | GSS06 - 2S □□□ 071C33 MDFKS□□ 071-33 175 |
| 321 | 158 | 1.3 | 22.143 | 477 | 9325 | 548 | 9326 | 673 | 158 | 1.14E-03 | GSS06 - 2S □□□ 071C33 MDFKS□□ 071-33 175 |
| 393 | 129 | 1.2 | 27.125 | 583 | 9325 | 670 | 9326 | 718 | 129 | 1.10E-03 | GSS06 - 2S □□□ 071C33 MDFKS□□ 071-33 175 |
| 511 | 99 | 1.1 | 35.306 | 757 | 9325 | 870 | 9326 | 720 | 99 | 1.07E-03 | GSS06 - 2S □□□ 071C33 MDFKS□□ 071-33 175 |
| 95 | 231 | 5.5 | 14.286 | 181 | 9324 | 140 | 9324 | 559 | 231 | 1.08E-03 | GSS07 - 2S □□□ 071C03 MDFKS□□ 071-03 165 |
| 145 | 149 | 4.2 | 22.143 | 274 | 9324 | 212 | 9324 | 836 | 149 | 1.02E-03 | GSS07 - 2S □□□ 071C03 MDFKS□□ 071-03 165 |
| 232 | 93 | 3.7 | 35.306 | 436 | 9324 | 337 | 9324 | 1052 | 93 | 7.96E-04 | GSS07 - 2S □□□ 071C03 MDFKS□□ 071-03 165 |
| 284 | 76 | 3.6 | 43.271 | 533 | 9324 | 413 | 9324 | 1090 | 76 | 7.43E-04 | GSS07 - 2S □□□ 071C03 MDFKS□□ 071-03 165 |
| 311 | 66 | 2.4 | 50.000 | 578 | 9324 | 447 | 9324 | 1250 | 66 | 9.53E-04 | GSS07 - 2S □□□ 071C03 MDFKS□□ 071-03 165 |
| 443 | 47 | 2.3 | 70.611 | 820 | 9324 | 635 | 9324 | 1250 | 47 | 7.81E-04 | GSS07 - 2S □□□ 071C03 MDFKS□□ 071-03 165 |
| 496 | 41 | 2.2 | 79.722 | 917 | 9324 | 710 | 9324 | 1250 | 41 | 7.70E-04 | GSS07 - 2S □□□ 071C03 MDFKS□□ 071-03 165 |
| 543 | 38 | 2.1 | 86.542 | 1003 | 9324 | 777 | 9324 | 1250 | 38 | 7.34E-04 | GSS07 - 2S □□□ 071C03 MDFKS□□ 071-03 165 |
| 608 | 34 | 1.9 | 97.708 | 1121 | 9324 | 868 | 9324 | 1250 | 34 | 7.26E-04 | GSS07 - 2S □□□ 071C03 MDFKS□□ 071-03 165 |
| 712 | 29 | 1.7 | 113.667 | 1310 | 9324 | 1014 | 9324 | 1250 | 29 | 6.83E-04 | GSS07 - 2S □□□ 071C03 MDFKS□□ 071-03 165 |
| 797 | 26 | 1.6 | 128.333 | 1463 | 9324 | 1133 | 9324 | 1250 | 26 | 6.79E-04 | GSS07 - 2S □□□ 071C03 MDFKS□□ 071-03 165 |
| 862 | 24 | 1.4 | 137.950 | 1580 | 9324 | 1223 | 9324 | 1250 | 24 | 6.61E-04 | GSS07 - 2S □□□ 071C03 MDFKS□□ 071-03 165 |
| 965 | 21 | 1.3 | 155.750 | 1767 | 9324 | 1368 | 9324 | 1250 | 21 | 6.58E-04 | GSS07 - 2S □□□ 071C03 MDFKS□□ 071-03 165 |
| 1084 | 19 | 1.2 | 174.375 | 1875 | 9324 | 1533 | 9324 | 1250 | 19 | 6.39E-04 | GSS07 - 2S □□□ 071C03 MDFKS□□ 071-03 165 |
| 1213 | 17 | 1.0 | 196.875 | 1875 | 9324 | 1714 | 9324 | 1250 | 17 | 6.37E-04 | GSS07 - 2S □□□ 071C03 MDFKS□□ 071-03 165 |
| 142 | 252 | 3.4 | 14.286 | 289 | 9325 | 227 | 9325 | 559 | 252 | 1.28E-03 | GSS07 - 2S □□□ 071C13 MDFKS□□ 071-13 180 |
| 216 | 163 | 2.6 | 22.143 | 437 | 9325 | 344 | 9325 | 836 | 163 | 1.22E-03 | GSS07 - 2S □□□ 071C13 MDFKS□□ 071-13 180 |
| 345 | 102 | 2.3 | 35.306 | 695 | 9325 | 547 | 9325 | 1052 | 102 | 9.96E-04 | GSS07 - 2S □□□ 071C13 MDFKS□□ 071-13 180 |

Observe the notes for thermal dimensioning.

Selection tables - Helical-worm gearboxes

Forced ventilated synchronous geared servo motors



| M ₂ [Nm] | n ₂ trans [rpm] | c | i | M ₂ max short-time M ₂ Gr on geared motor at | | | | n ₂ therm gearbox c=1 n ₁ ≤ 1400 rpm | | J _{GM} referred to motor shaft [kgm ²] | Servo helical- worm geared motor Dimensions on Page 7-47 |
|------------------------|-------------------------------|------------|----------------|---|-------------|----------------------------|-------------|---|-----------|---|---|
| | | | | 8 kHz | | 16 kHz | | [Nm] | [rpm] | | |
| | | | | M ₂ max [Nm] | Type EVS | M ₂ max [Nm] | Type EVS | | | | |
| 423 | 83 | 2.2 | 43.271 | 850 | 9325 | 669 | 9325 | 1090 | 83 | 9.43E-04 | GSS07 - 2S □□□ 071C13 MDFKS□□ 071-13 180 |
| 462 | 72 | 1.5 | 50.000 | 922 | 9325 | 725 | 9325 | 1250 | 72 | 1.15E-03 | GSS07 - 2S □□□ 071C13 MDFKS□□ 071-13 180 |
| 656 | 51 | 1.4 | 70.611 | 1308 | 9325 | 1030 | 9325 | 1250 | 51 | 9.81E-04 | GSS07 - 2S □□□ 071C13 MDFKS□□ 071-13 180 |
| 734 | 45 | 1.3 | 79.722 | 1462 | 9325 | 1151 | 9325 | 1250 | 45 | 9.70E-04 | GSS07 - 2S □□□ 071C13 MDFKS□□ 071-13 180 |
| 803 | 42 | 1.3 | 86.542 | 1600 | 9325 | 1259 | 9325 | 1250 | 42 | 9.34E-04 | GSS07 - 2S □□□ 071C13 MDFKS□□ 071-13 180 |
| 898 | 37 | 1.3 | 97.708 | 1700 | 9325 | 1406 | 9325 | 1250 | 37 | 9.26E-04 | GSS07 - 2S □□□ 071C13 MDFKS□□ 071-13 180 |
| 1051 | 32 | 1.2 | 113.667 | 1842 | 9325 | 1644 | 9325 | 1250 | 32 | 8.83E-04 | GSS07 - 2S □□□ 071C13 MDFKS□□ 071-13 180 |
| 1176 | 28 | 1.1 | 128.333 | 1868 | 9325 | 1836 | 9325 | 1250 | 28 | 8.79E-04 | GSS07 - 2S □□□ 071C13 MDFKS□□ 071-13 180 |
| 211 | 245 | 2.5 | 14.286 | 318 | 9325 | 365 | 9326 | 559 | 245 | 1.48E-03 | GSS07 - 2S □□□ 071C33 MDFKS□□ 071-33 175 |
| 321 | 158 | 2.0 | 22.143 | 480 | 9325 | 552 | 9326 | 836 | 158 | 1.42E-03 | GSS07 - 2S □□□ 071C33 MDFKS□□ 071-33 175 |
| 512 | 99 | 1.7 | 35.306 | 764 | 9325 | 878 | 9326 | 1052 | 99 | 1.20E-03 | GSS07 - 2S □□□ 071C33 MDFKS□□ 071-33 175 |
| 627 | 81 | 1.6 | 43.271 | 935 | 9325 | 1073 | 9326 | 1090 | 81 | 1.14E-03 | GSS07 - 2S □□□ 071C33 MDFKS□□ 071-33 175 |
| 683 | 70 | 1.1 | 50.000 | 1013 | 9325 | 1159 | 9326 | 1250 | 70 | 1.35E-03 | GSS07 - 2S □□□ 071C33 MDFKS□□ 071-33 175 |
| 971 | 50 | 1.1 | 70.611 | 1438 | 9325 | 1537 | 9326 | 1250 | 50 | 1.18E-03 | GSS07 - 2S □□□ 071C33 MDFKS□□ 071-33 175 |
| 756 | 26 | 1.6 | 126.531 | 1389 | 9324 | 1075 | 9324 | 1250 | 26 | 6.86E-04 | GSS07 - 3S □□□ 071C03 MDFKS□□ 071-03 165 |
| 846 | 23 | 1.5 | 142.857 | 1552 | 9324 | 1202 | 9324 | 1250 | 23 | 6.82E-04 | GSS07 - 3S □□□ 071C03 MDFKS□□ 071-03 165 |
| 922 | 21 | 1.3 | 155.000 | 1690 | 9324 | 1308 | 9324 | 1250 | 21 | 6.74E-04 | GSS07 - 3S □□□ 071C03 MDFKS□□ 071-03 165 |
| 1034 | 19 | 1.2 | 175.000 | 1875 | 9324 | 1463 | 9324 | 1250 | 19 | 6.72E-04 | GSS07 - 3S □□□ 071C03 MDFKS□□ 071-03 165 |
| 1193 | 16 | 1.0 | 201.746 | 1875 | 9324 | 1685 | 9324 | 1250 | 16 | 6.37E-04 | GSS07 - 3S □□□ 071C03 MDFKS□□ 071-03 165 |

Observe the notes for thermal dimensioning.

Selection tables - Helical-worm gearboxes

Naturally ventilated asynchronous geared servo motors

| M ₂ [Nm] | n ₂ trans [rpm] | c | i | M ₂ max short-time M ₂ Gr on geared motor at | | | | n ₂ therm gearbox c=1 n ₁ ≤ 1400 rpm | | J _{GM} referred to motor shaft [kgm ²] | Servo helical- worm geared motor Dimensions on Page 7-47 |
|------------------------|-------------------------------|-----|--------|---|-------------|----------------------------|-------------|---|-------|---|---|
| | | | | 8 kHz | | 16 kHz | | [Nm] | [rpm] | | |
| | | | | M ₂ max [Nm] | Type EVS | M ₂ max [Nm] | Type EVS | | | | |
| 10 | 700 | 4.4 | 5.639 | 22 | 9322 | 26 | 9323 | 108 | 700 | 3.52E-04 | GSS04 - 2A □□□ 056C22 MDSKA□□ 056-22 140 |
| 13 | 511 | 5.4 | 7.733 | 31 | 9322 | 37 | 9323 | 149 | 511 | 3.05E-04 | GSS04 - 2A □□□ 056C22 MDSKA□□ 056-22 140 |
| 17 | 399 | 5.7 | 9.897 | 40 | 9322 | 47 | 9323 | 161 | 399 | 2.83E-04 | GSS04 - 2A □□□ 056C22 MDSKA□□ 056-22 140 |
| 18 | 365 | 5.7 | 10.827 | 43 | 9322 | 52 | 9323 | 161 | 365 | 2.77E-04 | GSS04 - 2A □□□ 056C22 MDSKA□□ 056-22 140 |
| 21 | 319 | 5.5 | 12.400 | 49 | 9322 | 58 | 9323 | 170 | 319 | 2.89E-04 | GSS04 - 2A □□□ 056C22 MDSKA□□ 056-22 140 |
| 24 | 286 | 5.8 | 13.810 | 56 | 9322 | 66 | 9323 | 163 | 286 | 2.65E-04 | GSS04 - 2A □□□ 056C22 MDSKA□□ 056-22 140 |
| 27 | 249 | 4.7 | 15.869 | 63 | 9322 | 75 | 9323 | 180 | 249 | 2.73E-04 | GSS04 - 2A □□□ 056C22 MDSKA□□ 056-22 140 |
| 30 | 228 | 4.4 | 17.360 | 69 | 9322 | 82 | 9323 | 180 | 228 | 2.68E-04 | GSS04 - 2A □□□ 056C22 MDSKA□□ 056-22 140 |
| 32 | 193 | 3.2 | 20.417 | 73 | 9322 | 87 | 9323 | 153 | 193 | 3.07E-04 | GSS04 - 2A □□□ 056C22 MDSKA□□ 056-22 140 |
| 38 | 178 | 3.7 | 22.143 | 87 | 9322 | 104 | 9323 | 180 | 178 | 2.60E-04 | GSS04 - 2A □□□ 056C22 MDSKA□□ 056-22 140 |
| 40 | 159 | 2.9 | 24.800 | 91 | 9322 | 108 | 9323 | 171 | 159 | 2.82E-04 | GSS04 - 2A □□□ 056C22 MDSKA□□ 056-22 140 |
| 47 | 146 | 3.3 | 27.125 | 106 | 9322 | 127 | 9323 | 180 | 146 | 2.54E-04 | GSS04 - 2A □□□ 056C22 MDSKA□□ 056-22 140 |
| 51 | 124 | 2.5 | 31.738 | 116 | 9322 | 138 | 9323 | 180 | 124 | 2.69E-04 | GSS04 - 2A □□□ 056C22 MDSKA□□ 056-22 140 |
| 59 | 116 | 2.8 | 34.100 | 133 | 9322 | 159 | 9323 | 180 | 116 | 2.50E-04 | GSS04 - 2A □□□ 056C22 MDSKA□□ 056-22 140 |
| 62 | 101 | 2.1 | 39.200 | 140 | 9322 | 167 | 9323 | 180 | 101 | 2.65E-04 | GSS04 - 2A □□□ 056C22 MDSKA□□ 056-22 140 |
| 76 | 90 | 2.3 | 43.917 | 171 | 9322 | 203 | 9323 | 180 | 90 | 2.46E-04 | GSS04 - 2A □□□ 056C22 MDSKA□□ 056-22 140 |
| 79 | 79 | 1.8 | 50.000 | 177 | 9322 | 211 | 9323 | 180 | 79 | 2.57E-04 | GSS04 - 2A □□□ 056C22 MDSKA□□ 056-22 140 |
| 87 | 73 | 1.8 | 54.250 | 196 | 9322 | 234 | 9323 | 180 | 73 | 2.53E-04 | GSS04 - 2A □□□ 056C22 MDSKA□□ 056-22 140 |
| 96 | 64 | 1.6 | 61.250 | 216 | 9322 | 235 | 9323 | 180 | 64 | 2.53E-04 | GSS04 - 2A □□□ 056C22 MDSKA□□ 056-22 140 |
| 109 | 58 | 1.5 | 68.200 | 245 | 9322 | 254 | 9323 | 180 | 58 | 2.49E-04 | GSS04 - 2A □□□ 056C22 MDSKA□□ 056-22 140 |
| 120 | 51 | 1.4 | 77.000 | 253 | 9322 | 253 | 9323 | 180 | 51 | 2.49E-04 | GSS04 - 2A □□□ 056C22 MDSKA□□ 056-22 140 |
| 140 | 45 | 1.3 | 87.833 | 269 | 9322 | 269 | 9323 | 180 | 45 | 2.46E-04 | GSS04 - 2A □□□ 056C22 MDSKA□□ 056-22 140 |
| 154 | 40 | 1.2 | 99.167 | 269 | 9322 | 269 | 9323 | 180 | 40 | 2.46E-04 | GSS04 - 2A □□□ 056C22 MDSKA□□ 056-22 140 |
| 20 | 718 | 2.2 | 5.639 | 63 | 9324 | 46 | 9324 | 149 | 718 | 9.42E-04 | GSS04 - 2A □□□ 071C22 MDSKA□□ 071-22 140 |
| 27 | 524 | 2.7 | 7.733 | 87 | 9324 | 64 | 9324 | 158 | 524 | 8.95E-04 | GSS04 - 2A □□□ 071C22 MDSKA□□ 071-22 140 |
| 31 | 448 | 3.0 | 9.042 | 101 | 9324 | 74 | 9324 | 154 | 448 | 9.11E-04 | GSS04 - 2A □□□ 071C22 MDSKA□□ 071-22 140 |
| 35 | 409 | 2.9 | 9.897 | 112 | 9324 | 82 | 9324 | 161 | 409 | 8.73E-04 | GSS04 - 2A □□□ 071C22 MDSKA□□ 071-22 140 |
| 38 | 374 | 2.9 | 10.827 | 123 | 9324 | 90 | 9324 | 161 | 374 | 8.67E-04 | GSS04 - 2A □□□ 071C22 MDSKA□□ 071-22 140 |
| 43 | 327 | 2.7 | 12.400 | 139 | 9324 | 101 | 9324 | 170 | 327 | 8.79E-04 | GSS04 - 2A □□□ 071C22 MDSKA□□ 071-22 140 |
| 49 | 293 | 2.9 | 13.810 | 158 | 9324 | 115 | 9324 | 163 | 293 | 8.55E-04 | GSS04 - 2A □□□ 071C22 MDSKA□□ 071-22 140 |
| 55 | 255 | 2.3 | 15.869 | 177 | 9324 | 130 | 9324 | 180 | 255 | 8.63E-04 | GSS04 - 2A □□□ 071C22 MDSKA□□ 071-22 140 |
| 61 | 233 | 2.2 | 17.360 | 194 | 9324 | 142 | 9324 | 180 | 233 | 8.58E-04 | GSS04 - 2A □□□ 071C22 MDSKA□□ 071-22 140 |
| 65 | 198 | 1.6 | 20.417 | 159 | 9324 | 151 | 9324 | 153 | 198 | 8.97E-04 | GSS04 - 2A □□□ 071C22 MDSKA□□ 071-22 140 |
| 78 | 183 | 1.9 | 22.143 | 220 | 9324 | 180 | 9324 | 180 | 183 | 8.50E-04 | GSS04 - 2A □□□ 071C22 MDSKA□□ 071-22 140 |

Observe the notes for thermal dimensioning.

Selection tables - Helical-worm gearboxes

Naturally ventilated asynchronous geared servo motors



| M ₂ [Nm] | n _{2 trans} [rpm] | c | i | M _{2 max} short-time M _{2 Gr} on geared motor at | | | | n _{2 therm} gearbox c=1 n ₁ ≤ 1400 rpm | | J _{GM} referred to motor shaft [kgm ²] | Servo helical- worm geared motor Dimensions on Page 7-47 |
|------------------------|-------------------------------|-----|---------|---|-------------|----------------------------|-------------|---|-------|---|---|
| | | | | 8 kHz | | 16 kHz | | [Nm] | [rpm] | | |
| | | | | M _{2 max} [Nm] | Type EVS | M _{2 max} [Nm] | Type EVS | | | | |
| 81 | 163 | 1.5 | 24.800 | 180 | 9324 | 180 | 9324 | 171 | 163 | 8.72E-04 | GSS04 - 2A □□□ 071C22 MDSKA□□ 071-22 140 |
| 95 | 149 | 1.6 | 27.125 | 235 | 9324 | 220 | 9324 | 180 | 149 | 8.44E-04 | GSS04 - 2A □□□ 071C22 MDSKA□□ 071-22 140 |
| 104 | 128 | 1.3 | 31.738 | 196 | 9324 | 196 | 9324 | 180 | 128 | 8.59E-04 | GSS04 - 2A □□□ 071C22 MDSKA□□ 071-22 140 |
| 126 | 103 | 1.1 | 39.200 | 202 | 9324 | 202 | 9324 | 180 | 103 | 8.55E-04 | GSS04 - 2A □□□ 071C22 MDSKA□□ 071-22 140 |
| 46 | 146 | 5.3 | 27.125 | 107 | 9322 | 128 | 9323 | 360 | 146 | 2.78E-04 | GSS05 - 2A □□□ 056C22 MDSKA□□ 056-22 140 |
| 50 | 124 | 4.0 | 31.738 | 115 | 9322 | 137 | 9323 | 306 | 124 | 3.13E-04 | GSS05 - 2A □□□ 056C22 MDSKA□□ 056-22 140 |
| 60 | 112 | 4.5 | 35.306 | 139 | 9322 | 166 | 9323 | 360 | 112 | 2.63E-04 | GSS05 - 2A □□□ 056C22 MDSKA□□ 056-22 140 |
| 61 | 101 | 3.5 | 39.200 | 140 | 9322 | 167 | 9323 | 323 | 101 | 3.01E-04 | GSS05 - 2A □□□ 056C22 MDSKA□□ 056-22 140 |
| 76 | 90 | 3.9 | 43.917 | 174 | 9322 | 207 | 9323 | 360 | 90 | 2.57E-04 | GSS05 - 2A □□□ 056C22 MDSKA□□ 056-22 140 |
| 79 | 79 | 3.0 | 50.000 | 179 | 9322 | 214 | 9323 | 353 | 79 | 2.83E-04 | GSS05 - 2A □□□ 056C22 MDSKA□□ 056-22 140 |
| 87 | 73 | 2.9 | 54.250 | 199 | 9322 | 237 | 9323 | 360 | 73 | 2.74E-04 | GSS05 - 2A □□□ 056C22 MDSKA□□ 056-22 140 |
| 97 | 64 | 2.6 | 61.250 | 220 | 9322 | 262 | 9323 | 360 | 64 | 2.73E-04 | GSS05 - 2A □□□ 056C22 MDSKA□□ 056-22 140 |
| 114 | 56 | 2.4 | 70.611 | 259 | 9322 | 308 | 9323 | 360 | 56 | 2.61E-04 | GSS05 - 2A □□□ 056C22 MDSKA□□ 056-22 140 |
| 127 | 50 | 2.2 | 79.722 | 287 | 9322 | 342 | 9323 | 360 | 50 | 2.61E-04 | GSS05 - 2A □□□ 056C22 MDSKA□□ 056-22 140 |
| 143 | 45 | 2.1 | 87.833 | 322 | 9322 | 384 | 9323 | 360 | 45 | 2.55E-04 | GSS05 - 2A □□□ 056C22 MDSKA□□ 056-22 140 |
| 159 | 40 | 1.9 | 99.167 | 357 | 9322 | 426 | 9323 | 360 | 40 | 2.55E-04 | GSS05 - 2A □□□ 056C22 MDSKA□□ 056-22 140 |
| 186 | 35 | 1.8 | 113.667 | 417 | 9322 | 497 | 9323 | 360 | 35 | 2.50E-04 | GSS05 - 2A □□□ 056C22 MDSKA□□ 056-22 140 |
| 206 | 31 | 1.7 | 128.333 | 463 | 9322 | 516 | 9323 | 360 | 31 | 2.49E-04 | GSS05 - 2A □□□ 056C22 MDSKA□□ 056-22 140 |
| 226 | 29 | 1.6 | 137.950 | 506 | 9322 | 540 | 9323 | 360 | 29 | 2.47E-04 | GSS05 - 2A □□□ 056C22 MDSKA□□ 056-22 140 |
| 251 | 25 | 1.4 | 155.750 | 540 | 9322 | 540 | 9323 | 360 | 25 | 2.47E-04 | GSS05 - 2A □□□ 056C22 MDSKA□□ 056-22 140 |
| 19 | 718 | 5.4 | 5.639 | 64 | 9324 | 47 | 9324 | 219 | 718 | 1.11E-03 | GSS05 - 2A □□□ 071C22 MDSKA□□ 071-22 140 |
| 27 | 524 | 4.9 | 7.733 | 88 | 9324 | 64 | 9324 | 267 | 524 | 9.96E-04 | GSS05 - 2A □□□ 071C22 MDSKA□□ 071-22 140 |
| 30 | 448 | 3.3 | 9.042 | 98 | 9324 | 72 | 9324 | 251 | 448 | 1.03E-03 | GSS05 - 2A □□□ 071C22 MDSKA□□ 071-22 140 |
| 35 | 409 | 4.6 | 9.897 | 113 | 9324 | 83 | 9324 | 271 | 409 | 9.40E-04 | GSS05 - 2A □□□ 071C22 MDSKA□□ 071-22 140 |
| 38 | 374 | 4.4 | 10.827 | 124 | 9324 | 91 | 9324 | 272 | 374 | 9.24E-04 | GSS05 - 2A □□□ 071C22 MDSKA□□ 071-22 140 |
| 42 | 327 | 3.8 | 12.400 | 137 | 9324 | 100 | 9324 | 279 | 327 | 9.53E-04 | GSS05 - 2A □□□ 071C22 MDSKA□□ 071-22 140 |
| 49 | 293 | 4.1 | 13.810 | 159 | 9324 | 116 | 9324 | 275 | 293 | 8.94E-04 | GSS05 - 2A □□□ 071C22 MDSKA□□ 071-22 140 |
| 54 | 255 | 3.8 | 15.869 | 176 | 9324 | 129 | 9324 | 301 | 255 | 9.14E-04 | GSS05 - 2A □□□ 071C22 MDSKA□□ 071-22 140 |
| 60 | 233 | 3.6 | 17.360 | 193 | 9324 | 141 | 9324 | 311 | 233 | 9.02E-04 | GSS05 - 2A □□□ 071C22 MDSKA□□ 071-22 140 |
| 62 | 198 | 2.0 | 20.417 | 194 | 9324 | 145 | 9324 | 253 | 198 | 9.90E-04 | GSS05 - 2A □□□ 071C22 MDSKA□□ 071-22 140 |
| 77 | 183 | 3.0 | 22.143 | 247 | 9324 | 180 | 9324 | 337 | 183 | 8.80E-04 | GSS05 - 2A □□□ 071C22 MDSKA□□ 071-22 140 |
| 79 | 163 | 2.2 | 24.800 | 252 | 9324 | 184 | 9324 | 280 | 163 | 9.36E-04 | GSS05 - 2A □□□ 071C22 MDSKA□□ 071-22 140 |
| 94 | 149 | 2.7 | 27.125 | 303 | 9324 | 221 | 9324 | 360 | 149 | 8.68E-04 | GSS05 - 2A □□□ 071C22 MDSKA□□ 071-22 140 |
| 102 | 128 | 2.0 | 31.738 | 314 | 9324 | 238 | 9324 | 306 | 128 | 9.03E-04 | GSS05 - 2A □□□ 071C22 MDSKA□□ 071-22 140 |

Observe the notes for thermal dimensioning.

Selection tables - Helical-worm gearboxes

Naturally ventilated asynchronous geared servo motors

| M ₂ [Nm] | n ₂ trans [rpm] | c | i | M ₂ max short-time M ₂ Gr on geared motor at | | | | n ₂ therm gearbox c=1 n ₁ ≤ 1400 rpm | | J _{GM} referred to motor shaft [kgm ²] | Servo helical- worm geared motor Dimensions on Page 7-47 |
|------------------------|-------------------------------|-----|--------|---|-------------|----------------------------|-------------|---|-------|---|---|
| | | | | 8 kHz | | 16 kHz | | [Nm] | [rpm] | | |
| | | | | M ₂ max [Nm] | Type EVS | M ₂ max [Nm] | Type EVS | | | | |
| 124 | 115 | 2.2 | 35.306 | 395 | 9324 | 288 | 9324 | 360 | 115 | 8.53E-04 | GSS05 - 2A □□□ 071C22 MDSKA□□ 071-22 140 |
| 125 | 103 | 1.8 | 39.200 | 331 | 9324 | 289 | 9324 | 323 | 103 | 8.91E-04 | GSS05 - 2A □□□ 071C22 MDSKA□□ 071-22 140 |
| 154 | 92 | 1.9 | 43.917 | 451 | 9324 | 359 | 9324 | 360 | 92 | 8.47E-04 | GSS05 - 2A □□□ 071C22 MDSKA□□ 071-22 140 |
| 160 | 81 | 1.5 | 50.000 | 363 | 9324 | 363 | 9324 | 353 | 81 | 8.73E-04 | GSS05 - 2A □□□ 071C22 MDSKA□□ 071-22 140 |
| 178 | 75 | 1.4 | 54.250 | 385 | 9324 | 385 | 9324 | 360 | 75 | 8.64E-04 | GSS05 - 2A □□□ 071C22 MDSKA□□ 071-22 140 |
| 197 | 66 | 1.3 | 61.250 | 392 | 9324 | 392 | 9324 | 360 | 66 | 8.63E-04 | GSS05 - 2A □□□ 071C22 MDSKA□□ 071-22 140 |
| 232 | 57 | 1.2 | 70.611 | 424 | 9324 | 424 | 9324 | 360 | 57 | 8.51E-04 | GSS05 - 2A □□□ 071C22 MDSKA□□ 071-22 140 |
| 258 | 51 | 1.1 | 79.722 | 433 | 9324 | 433 | 9324 | 360 | 51 | 8.51E-04 | GSS05 - 2A □□□ 071C22 MDSKA□□ 071-22 140 |
| 289 | 46 | 1.1 | 87.833 | 459 | 9324 | 459 | 9324 | 360 | 46 | 8.45E-04 | GSS05 - 2A □□□ 071C22 MDSKA□□ 071-22 140 |
| 33 | 355 | 5.1 | 5.639 | 77 | 9323 | 108 | 9324 | 223 | 355 | 2.20E-03 | GSS05 - 2A □□□ 080C22 MDSKA□□ 080-22 70 |
| 45 | 259 | 4.7 | 7.733 | 106 | 9323 | 149 | 9324 | 267 | 259 | 2.09E-03 | GSS05 - 2A □□□ 080C22 MDSKA□□ 080-22 70 |
| 52 | 221 | 4.2 | 9.042 | 120 | 9323 | 169 | 9324 | 251 | 221 | 2.12E-03 | GSS05 - 2A □□□ 080C22 MDSKA□□ 080-22 70 |
| 58 | 202 | 4.3 | 9.897 | 136 | 9323 | 192 | 9324 | 271 | 202 | 2.03E-03 | GSS05 - 2A □□□ 080C22 MDSKA□□ 080-22 70 |
| 64 | 185 | 4.0 | 10.827 | 149 | 9323 | 210 | 9324 | 272 | 185 | 2.01E-03 | GSS05 - 2A □□□ 080C22 MDSKA□□ 080-22 70 |
| 72 | 161 | 3.4 | 12.400 | 166 | 9323 | 233 | 9324 | 279 | 161 | 2.04E-03 | GSS05 - 2A □□□ 080C22 MDSKA□□ 080-22 70 |
| 83 | 145 | 3.2 | 13.810 | 191 | 9323 | 268 | 9324 | 275 | 145 | 1.98E-03 | GSS05 - 2A □□□ 080C22 MDSKA□□ 080-22 70 |
| 92 | 126 | 2.8 | 15.869 | 213 | 9323 | 298 | 9324 | 301 | 126 | 2.00E-03 | GSS05 - 2A □□□ 080C22 MDSKA□□ 080-22 70 |
| 101 | 115 | 2.7 | 17.360 | 233 | 9323 | 327 | 9324 | 311 | 115 | 1.99E-03 | GSS05 - 2A □□□ 080C22 MDSKA□□ 080-22 70 |
| 108 | 98 | 2.0 | 20.417 | 246 | 9323 | 332 | 9324 | 253 | 98 | 2.08E-03 | GSS05 - 2A □□□ 080C22 MDSKA□□ 080-22 70 |
| 130 | 90 | 2.3 | 22.143 | 297 | 9323 | 417 | 9324 | 337 | 90 | 1.97E-03 | GSS05 - 2A □□□ 080C22 MDSKA□□ 080-22 70 |
| 135 | 81 | 1.8 | 24.800 | 307 | 9323 | 370 | 9324 | 280 | 81 | 2.03E-03 | GSS05 - 2A □□□ 080C22 MDSKA□□ 080-22 70 |
| 160 | 74 | 2.0 | 27.125 | 364 | 9323 | 482 | 9324 | 360 | 74 | 1.96E-03 | GSS05 - 2A □□□ 080C22 MDSKA□□ 080-22 70 |
| 174 | 63 | 1.5 | 31.738 | 394 | 9323 | 404 | 9324 | 306 | 63 | 1.99E-03 | GSS05 - 2A □□□ 080C22 MDSKA□□ 080-22 70 |
| 211 | 51 | 1.3 | 39.200 | 427 | 9323 | 427 | 9324 | 323 | 51 | 1.98E-03 | GSS05 - 2A □□□ 080C22 MDSKA□□ 080-22 70 |
| 271 | 40 | 1.1 | 50.000 | 466 | 9323 | 466 | 9324 | 353 | 40 | 1.96E-03 | GSS05 - 2A □□□ 080C22 MDSKA□□ 080-22 70 |
| 299 | 37 | 1.1 | 54.250 | 492 | 9323 | 492 | 9324 | 360 | 37 | 1.95E-03 | GSS05 - 2A □□□ 080C22 MDSKA□□ 080-22 70 |
| 332 | 33 | 1.0 | 61.250 | 503 | 9323 | 503 | 9324 | 360 | 33 | 1.95E-03 | GSS05 - 2A □□□ 080C22 MDSKA□□ 080-22 70 |
| 26 | 727 | 4.0 | 5.639 | 67 | 9324 | 97 | 9325 | 223 | 637 | 2.20E-03 | GSS05 - 2A □□□ 080C22 MDSKA□□ 080-22 140 |
| 37 | 530 | 3.6 | 7.733 | 92 | 9324 | 133 | 9325 | 267 | 464 | 2.09E-03 | GSS05 - 2A □□□ 080C22 MDSKA□□ 080-22 140 |
| 41 | 453 | 2.5 | 9.042 | 103 | 9324 | 149 | 9325 | 251 | 397 | 2.12E-03 | GSS05 - 2A □□□ 080C22 MDSKA□□ 080-22 140 |
| 47 | 414 | 3.4 | 9.897 | 119 | 9324 | 171 | 9325 | 271 | 363 | 2.03E-03 | GSS05 - 2A □□□ 080C22 MDSKA□□ 080-22 140 |
| 52 | 379 | 3.3 | 10.827 | 130 | 9324 | 188 | 9325 | 272 | 332 | 2.01E-03 | GSS05 - 2A □□□ 080C22 MDSKA□□ 080-22 140 |
| 57 | 331 | 2.8 | 12.400 | 143 | 9324 | 208 | 9325 | 279 | 290 | 2.04E-03 | GSS05 - 2A □□□ 080C22 MDSKA□□ 080-22 140 |
| 66 | 297 | 3.1 | 13.810 | 166 | 9324 | 240 | 9325 | 275 | 260 | 1.98E-03 | GSS05 - 2A □□□ 080C22 MDSKA□□ 080-22 140 |

Observe the notes for thermal dimensioning.

Selection tables - Helical-worm gearboxes

Naturally ventilated asynchronous geared servo motors



| M ₂ [Nm] | n ₂ trans [rpm] | c | i | M ₂ max short-time M ₂ Gr on geared motor at | | | | n ₂ therm gearbox c=1 n ₁ ≤ 1400 rpm | | J _{GM} referred to motor shaft [kgm ²] | Servo helical- worm geared motor Dimensions on Page 7-47 |
|------------------------|-------------------------------|------------|----------------|---|-------------|----------------------------|-------------|---|-----------|---|---|
| | | | | 8 kHz | | 16 kHz | | [Nm] | [rpm] | | |
| | | | | M ₂ max [Nm] | Type EVS | M ₂ max [Nm] | Type EVS | | | | |
| 74 | 258 | 2.8 | 15.869 | 185 | 9324 | 267 | 9325 | 301 | 226 | 2.00E-03 | GSS05 - 2A □□□ 080C22 MDSKA□□ 080-22 140 |
| 81 | 236 | 2.7 | 17.360 | 202 | 9324 | 293 | 9325 | 311 | 207 | 1.99E-03 | GSS05 - 2A □□□ 080C22 MDSKA□□ 080-22 140 |
| 85 | 201 | 1.5 | 20.417 | 194 | 9324 | 194 | 9325 | 253 | 176 | 2.08E-03 | GSS05 - 2A □□□ 080C22 MDSKA□□ 080-22 140 |
| 104 | 185 | 2.3 | 22.143 | 259 | 9324 | 358 | 9325 | 337 | 162 | 1.97E-03 | GSS05 - 2A □□□ 080C22 MDSKA□□ 080-22 140 |
| 107 | 165 | 1.6 | 24.800 | 264 | 9324 | 265 | 9325 | 280 | 145 | 2.03E-03 | GSS05 - 2A □□□ 080C22 MDSKA□□ 080-22 140 |
| 128 | 151 | 2.0 | 27.125 | 318 | 9324 | 384 | 9325 | 360 | 132 | 1.96E-03 | GSS05 - 2A □□□ 080C22 MDSKA□□ 080-22 140 |
| 139 | 129 | 1.5 | 31.738 | 314 | 9324 | 314 | 9325 | 306 | 113 | 1.99E-03 | GSS05 - 2A □□□ 080C22 MDSKA□□ 080-22 140 |
| 169 | 105 | 1.3 | 39.200 | 331 | 9324 | 331 | 9325 | 323 | 92 | 1.98E-03 | GSS05 - 2A □□□ 080C22 MDSKA□□ 080-22 140 |
| 217 | 82 | 1.1 | 50.000 | 363 | 9324 | 363 | 9325 | 353 | 72 | 1.96E-03 | GSS05 - 2A □□□ 080C22 MDSKA□□ 080-22 140 |
| 241 | 76 | 1.1 | 54.250 | 385 | 9324 | 385 | 9325 | 360 | 66 | 1.95E-03 | GSS05 - 2A □□□ 080C22 MDSKA□□ 080-22 140 |
| 218 | 31 | 1.2 | 125.476 | 389 | 9322 | 389 | 9323 | 339 | 31 | 2.55E-04 | GSS05 - 3A □□□ 056C22 MDSKA□□ 056-22 140 |
| 265 | 26 | 1.0 | 153.708 | 413 | 9322 | 413 | 9323 | 356 | 26 | 2.52E-04 | GSS05 - 3A □□□ 056C22 MDSKA□□ 056-22 140 |
| 353 | 18 | 1.0 | 222.133 | 537 | 9322 | 537 | 9323 | 360 | 18 | 2.61E-04 | GSS05 - 3A □□□ 056C22 MDSKA□□ 056-22 140 |
| 79 | 79 | 5.5 | 50.000 | 185 | 9322 | 220 | 9323 | 693 | 79 | 3.56E-04 | GSS06 - 2A □□□ 056C22 MDSKA□□ 056-22 140 |
| 112 | 56 | 4.8 | 70.611 | 261 | 9322 | 310 | 9323 | 720 | 56 | 3.01E-04 | GSS06 - 2A □□□ 056C22 MDSKA□□ 056-22 140 |
| 126 | 50 | 4.4 | 79.722 | 292 | 9322 | 347 | 9323 | 720 | 50 | 2.97E-04 | GSS06 - 2A □□□ 056C22 MDSKA□□ 056-22 140 |
| 140 | 45 | 4.2 | 87.833 | 323 | 9322 | 385 | 9323 | 720 | 45 | 2.84E-04 | GSS06 - 2A □□□ 056C22 MDSKA□□ 056-22 140 |
| 157 | 40 | 3.8 | 99.167 | 361 | 9322 | 430 | 9323 | 720 | 40 | 2.82E-04 | GSS06 - 2A □□□ 056C22 MDSKA□□ 056-22 140 |
| 181 | 35 | 3.6 | 113.667 | 416 | 9322 | 495 | 9323 | 720 | 35 | 2.68E-04 | GSS06 - 2A □□□ 056C22 MDSKA□□ 056-22 140 |
| 203 | 31 | 3.2 | 128.333 | 464 | 9322 | 552 | 9323 | 720 | 31 | 2.66E-04 | GSS06 - 2A □□□ 056C22 MDSKA□□ 056-22 140 |
| 219 | 29 | 3.2 | 137.950 | 501 | 9322 | 597 | 9323 | 720 | 29 | 2.60E-04 | GSS06 - 2A □□□ 056C22 MDSKA□□ 056-22 140 |
| 245 | 25 | 2.9 | 155.750 | 559 | 9322 | 665 | 9323 | 720 | 25 | 2.59E-04 | GSS06 - 2A □□□ 056C22 MDSKA□□ 056-22 140 |
| 276 | 23 | 2.5 | 174.375 | 626 | 9322 | 746 | 9323 | 720 | 23 | 2.53E-04 | GSS06 - 2A □□□ 056C22 MDSKA□□ 056-22 140 |
| 309 | 20 | 2.3 | 196.875 | 698 | 9322 | 831 | 9323 | 720 | 20 | 2.52E-04 | GSS06 - 2A □□□ 056C22 MDSKA□□ 056-22 140 |
| 54 | 255 | 5.3 | 15.869 | 180 | 9324 | 131 | 9324 | 597 | 255 | 1.06E-03 | GSS06 - 2A □□□ 071C22 MDSKA□□ 071-22 140 |
| 60 | 233 | 5.2 | 17.360 | 197 | 9324 | 144 | 9324 | 624 | 233 | 1.03E-03 | GSS06 - 2A □□□ 071C22 MDSKA□□ 071-22 140 |
| 76 | 183 | 4.9 | 22.143 | 251 | 9324 | 183 | 9324 | 673 | 183 | 9.69E-04 | GSS06 - 2A □□□ 071C22 MDSKA□□ 071-22 140 |
| 93 | 149 | 4.6 | 27.125 | 306 | 9324 | 224 | 9324 | 718 | 149 | 9.34E-04 | GSS06 - 2A □□□ 071C22 MDSKA□□ 071-22 140 |
| 104 | 128 | 3.1 | 31.738 | 336 | 9324 | 246 | 9324 | 609 | 128 | 1.04E-03 | GSS06 - 2A □□□ 071C22 MDSKA□□ 071-22 140 |
| 122 | 115 | 4.3 | 35.306 | 398 | 9324 | 290 | 9324 | 720 | 115 | 8.96E-04 | GSS06 - 2A □□□ 071C22 MDSKA□□ 071-22 140 |
| 127 | 103 | 2.9 | 39.200 | 411 | 9324 | 300 | 9324 | 637 | 103 | 9.93E-04 | GSS06 - 2A □□□ 071C22 MDSKA□□ 071-22 140 |
| 152 | 92 | 3.8 | 43.917 | 493 | 9324 | 360 | 9324 | 720 | 92 | 8.77E-04 | GSS06 - 2A □□□ 071C22 MDSKA□□ 071-22 140 |
| 162 | 81 | 2.7 | 50.000 | 522 | 9324 | 381 | 9324 | 693 | 81 | 9.46E-04 | GSS06 - 2A □□□ 071C22 MDSKA□□ 071-22 140 |
| 177 | 75 | 2.7 | 54.250 | 571 | 9324 | 417 | 9324 | 720 | 75 | 9.25E-04 | GSS06 - 2A □□□ 071C22 MDSKA□□ 071-22 140 |

Observe the notes for thermal dimensioning.

Selection tables - Helical-worm gearboxes

Naturally ventilated asynchronous geared servo motors

| M ₂ [Nm] | n ₂ trans [rpm] | c | i | M ₂ max short-time M ₂ Gr on geared motor at | | | | n ₂ therm gearbox c=1 n ₁ ≤ 1400 rpm | | J _G M referred to motor shaft [kgm ²] | Servo helical- worm geared motor Dimensions on Page 7-47 |
|------------------------|-------------------------------|-----|---------|---|-------------|----------------------------|-------------|---|-------|--|---|
| | | | | 8 kHz | | 16 kHz | | [Nm] | [rpm] | | |
| | | | | M ₂ max [Nm] | Type EVS | M ₂ max [Nm] | Type EVS | | | | |
| 199 | 66 | 2.6 | 61.250 | 638 | 9324 | 466 | 9324 | 720 | 66 | 9.19E-04 | GSS06 - 2A □□□ 071C22 MDSKA□□ 071-22 140 |
| 230 | 57 | 2.4 | 70.611 | 738 | 9324 | 539 | 9324 | 720 | 57 | 8.91E-04 | GSS06 - 2A □□□ 071C22 MDSKA□□ 071-22 140 |
| 258 | 51 | 2.2 | 79.722 | 825 | 9324 | 603 | 9324 | 720 | 51 | 8.87E-04 | GSS06 - 2A □□□ 071C22 MDSKA□□ 071-22 140 |
| 286 | 46 | 2.1 | 87.833 | 913 | 9324 | 668 | 9324 | 720 | 46 | 8.74E-04 | GSS06 - 2A □□□ 071C22 MDSKA□□ 071-22 140 |
| 321 | 41 | 1.9 | 99.167 | 925 | 9324 | 746 | 9324 | 720 | 41 | 8.72E-04 | GSS06 - 2A □□□ 071C22 MDSKA□□ 071-22 140 |
| 370 | 36 | 1.8 | 113.667 | 999 | 9324 | 859 | 9324 | 720 | 36 | 8.58E-04 | GSS06 - 2A □□□ 071C22 MDSKA□□ 071-22 140 |
| 414 | 32 | 1.6 | 128.333 | 1011 | 9324 | 959 | 9324 | 720 | 32 | 8.56E-04 | GSS06 - 2A □□□ 071C22 MDSKA□□ 071-22 140 |
| 447 | 29 | 1.6 | 137.950 | 1064 | 9324 | 1036 | 9324 | 720 | 29 | 8.50E-04 | GSS06 - 2A □□□ 071C22 MDSKA□□ 071-22 140 |
| 499 | 26 | 1.4 | 155.750 | 1075 | 9324 | 1075 | 9324 | 720 | 26 | 8.49E-04 | GSS06 - 2A □□□ 071C22 MDSKA□□ 071-22 140 |
| 71 | 161 | 5.5 | 12.400 | 168 | 9323 | 236 | 9324 | 523 | 161 | 2.27E-03 | GSS06 - 2A □□□ 080C22 MDSKA□□ 080-22 70 |
| 83 | 140 | 6.0 | 14.286 | 199 | 9323 | 279 | 9324 | 528 | 140 | 2.08E-03 | GSS06 - 2A □□□ 080C22 MDSKA□□ 080-22 70 |
| 91 | 126 | 5.1 | 15.869 | 215 | 9323 | 302 | 9324 | 605 | 126 | 2.15E-03 | GSS06 - 2A □□□ 080C22 MDSKA□□ 080-22 70 |
| 100 | 115 | 5.0 | 17.360 | 235 | 9323 | 330 | 9324 | 624 | 115 | 2.12E-03 | GSS06 - 2A □□□ 080C22 MDSKA□□ 080-22 70 |
| 111 | 98 | 3.4 | 20.417 | 256 | 9323 | 360 | 9324 | 488 | 98 | 2.34E-03 | GSS06 - 2A □□□ 080C22 MDSKA□□ 080-22 70 |
| 127 | 90 | 4.6 | 22.143 | 299 | 9323 | 420 | 9324 | 673 | 90 | 2.06E-03 | GSS06 - 2A □□□ 080C22 MDSKA□□ 080-22 70 |
| 136 | 81 | 3.2 | 24.800 | 314 | 9323 | 441 | 9324 | 561 | 81 | 2.23E-03 | GSS06 - 2A □□□ 080C22 MDSKA□□ 080-22 70 |
| 156 | 74 | 4.0 | 27.125 | 364 | 9323 | 512 | 9324 | 718 | 74 | 2.02E-03 | GSS06 - 2A □□□ 080C22 MDSKA□□ 080-22 70 |
| 173 | 63 | 3.0 | 31.738 | 400 | 9323 | 562 | 9324 | 609 | 63 | 2.13E-03 | GSS06 - 2A □□□ 080C22 MDSKA□□ 080-22 70 |
| 204 | 57 | 3.3 | 35.306 | 472 | 9323 | 663 | 9324 | 720 | 57 | 1.99E-03 | GSS06 - 2A □□□ 080C22 MDSKA□□ 080-22 70 |
| 213 | 51 | 2.6 | 39.200 | 488 | 9323 | 686 | 9324 | 637 | 51 | 2.08E-03 | GSS06 - 2A □□□ 080C22 MDSKA□□ 080-22 70 |
| 255 | 46 | 2.8 | 43.917 | 585 | 9323 | 822 | 9324 | 720 | 46 | 1.97E-03 | GSS06 - 2A □□□ 080C22 MDSKA□□ 080-22 70 |
| 271 | 40 | 2.2 | 50.000 | 619 | 9323 | 869 | 9324 | 693 | 40 | 2.04E-03 | GSS06 - 2A □□□ 080C22 MDSKA□□ 080-22 70 |
| 296 | 37 | 2.2 | 54.250 | 676 | 9323 | 949 | 9324 | 720 | 37 | 2.02E-03 | GSS06 - 2A □□□ 080C22 MDSKA□□ 080-22 70 |
| 331 | 33 | 2.0 | 61.250 | 755 | 9323 | 990 | 9324 | 720 | 33 | 2.01E-03 | GSS06 - 2A □□□ 080C22 MDSKA□□ 080-22 70 |
| 384 | 28 | 1.8 | 70.611 | 874 | 9323 | 1070 | 9324 | 720 | 28 | 1.98E-03 | GSS06 - 2A □□□ 080C22 MDSKA□□ 080-22 70 |
| 429 | 25 | 1.7 | 79.722 | 975 | 9323 | 1080 | 9324 | 720 | 25 | 1.98E-03 | GSS06 - 2A □□□ 080C22 MDSKA□□ 080-22 70 |
| 475 | 23 | 1.5 | 87.833 | 1078 | 9323 | 1080 | 9324 | 720 | 23 | 1.96E-03 | GSS06 - 2A □□□ 080C22 MDSKA□□ 080-22 70 |
| 531 | 20 | 1.4 | 99.167 | 1080 | 9323 | 1080 | 9324 | 720 | 20 | 1.96E-03 | GSS06 - 2A □□□ 080C22 MDSKA□□ 080-22 70 |
| 27 | 703 | 4.3 | 5.833 | 70 | 9324 | 101 | 9325 | 356 | 615 | 2.62E-03 | GSS06 - 2A □□□ 080C22 MDSKA□□ 080-22 140 |
| 38 | 513 | 4.9 | 8.000 | 96 | 9324 | 139 | 9325 | 489 | 449 | 2.34E-03 | GSS06 - 2A □□□ 080C22 MDSKA□□ 080-22 140 |
| 42 | 453 | 4.7 | 9.042 | 107 | 9324 | 155 | 9325 | 417 | 397 | 2.47E-03 | GSS06 - 2A □□□ 080C22 MDSKA□□ 080-22 140 |
| 48 | 400 | 5.0 | 10.238 | 123 | 9324 | 179 | 9325 | 522 | 351 | 2.20E-03 | GSS06 - 2A □□□ 080C22 MDSKA□□ 080-22 140 |
| 53 | 366 | 5.0 | 11.200 | 135 | 9324 | 196 | 9325 | 524 | 321 | 2.16E-03 | GSS06 - 2A □□□ 080C22 MDSKA□□ 080-22 140 |
| 58 | 331 | 4.3 | 12.400 | 147 | 9324 | 213 | 9325 | 523 | 290 | 2.27E-03 | GSS06 - 2A □□□ 080C22 MDSKA□□ 080-22 140 |

Observe the notes for thermal dimensioning.

Selection tables - Helical-worm gearboxes

Naturally ventilated asynchronous geared servo motors



| M ₂ [Nm] | n _{2 trans} [rpm] | c | i | M _{2 max} short-time M _{2 Gr} on geared motor at | | | | n _{2 therm} gearbox c=1 n ₁ ≤ 1400 rpm | | J _{GM} referred to motor shaft [kgm ²] | Servo helical- worm geared motor Dimensions on Page 7-47 |
|------------------------|-------------------------------|-----|--------|---|-------------|----------------------------|-------------|---|-------|---|---|
| | | | | 8 kHz | | 16 kHz | | [Nm] | [rpm] | | |
| | | | | M _{2 max} [Nm] | Type EVS | M _{2 max} [Nm] | Type EVS | | | | |
| 68 | 287 | 4.7 | 14.286 | 173 | 9324 | 250 | 9325 | 528 | 251 | 2.08E-03 | GSS06 - 2A □□□ 080C22 MDSKA□□ 080-22 140 |
| 75 | 258 | 4.0 | 15.869 | 188 | 9324 | 273 | 9325 | 605 | 226 | 2.15E-03 | GSS06 - 2A □□□ 080C22 MDSKA□□ 080-22 140 |
| 82 | 236 | 3.9 | 17.360 | 206 | 9324 | 298 | 9325 | 624 | 207 | 2.12E-03 | GSS06 - 2A □□□ 080C22 MDSKA□□ 080-22 140 |
| 89 | 201 | 2.6 | 20.417 | 223 | 9324 | 323 | 9325 | 488 | 176 | 2.34E-03 | GSS06 - 2A □□□ 080C22 MDSKA□□ 080-22 140 |
| 104 | 185 | 3.6 | 22.143 | 262 | 9324 | 380 | 9325 | 673 | 162 | 2.06E-03 | GSS06 - 2A □□□ 080C22 MDSKA□□ 080-22 140 |
| 111 | 165 | 2.5 | 24.800 | 276 | 9324 | 399 | 9325 | 561 | 145 | 2.23E-03 | GSS06 - 2A □□□ 080C22 MDSKA□□ 080-22 140 |
| 128 | 151 | 3.4 | 27.125 | 321 | 9324 | 464 | 9325 | 718 | 132 | 2.02E-03 | GSS06 - 2A □□□ 080C22 MDSKA□□ 080-22 140 |
| 142 | 129 | 2.3 | 31.738 | 352 | 9324 | 503 | 9325 | 609 | 113 | 2.13E-03 | GSS06 - 2A □□□ 080C22 MDSKA□□ 080-22 140 |
| 166 | 116 | 3.2 | 35.306 | 417 | 9324 | 603 | 9325 | 720 | 102 | 1.99E-03 | GSS06 - 2A □□□ 080C22 MDSKA□□ 080-22 140 |
| 174 | 105 | 2.2 | 39.200 | 430 | 9324 | 573 | 9325 | 637 | 92 | 2.08E-03 | GSS06 - 2A □□□ 080C22 MDSKA□□ 080-22 140 |
| 207 | 93 | 2.8 | 43.917 | 517 | 9324 | 747 | 9325 | 720 | 82 | 1.97E-03 | GSS06 - 2A □□□ 080C22 MDSKA□□ 080-22 140 |
| 221 | 82 | 2.0 | 50.000 | 547 | 9324 | 680 | 9325 | 693 | 72 | 2.04E-03 | GSS06 - 2A □□□ 080C22 MDSKA□□ 080-22 140 |
| 242 | 76 | 2.0 | 54.250 | 598 | 9324 | 738 | 9325 | 720 | 66 | 2.02E-03 | GSS06 - 2A □□□ 080C22 MDSKA□□ 080-22 140 |
| 270 | 67 | 1.9 | 61.250 | 668 | 9324 | 784 | 9325 | 720 | 59 | 2.01E-03 | GSS06 - 2A □□□ 080C22 MDSKA□□ 080-22 140 |
| 313 | 58 | 1.8 | 70.611 | 773 | 9324 | 846 | 9325 | 720 | 51 | 1.98E-03 | GSS06 - 2A □□□ 080C22 MDSKA□□ 080-22 140 |
| 351 | 51 | 1.6 | 79.722 | 858 | 9324 | 858 | 9325 | 720 | 45 | 1.98E-03 | GSS06 - 2A □□□ 080C22 MDSKA□□ 080-22 140 |
| 389 | 47 | 1.6 | 87.833 | 913 | 9324 | 913 | 9325 | 720 | 41 | 1.96E-03 | GSS06 - 2A □□□ 080C22 MDSKA□□ 080-22 140 |
| 436 | 41 | 1.4 | 99.167 | 925 | 9324 | 925 | 9325 | 720 | 36 | 1.96E-03 | GSS06 - 2A □□□ 080C22 MDSKA□□ 080-22 140 |
| 56 | 394 | 3.9 | 5.833 | 130 | 9324 | 183 | 9325 | 356 | 394 | 4.30E-03 | GSS06 - 2A □□□ 090C22 MDSKA□□ 090-22 80 |
| 77 | 288 | 3.8 | 8.000 | 179 | 9324 | 252 | 9325 | 489 | 288 | 4.02E-03 | GSS06 - 2A □□□ 090C22 MDSKA□□ 090-22 80 |
| 86 | 254 | 3.2 | 9.042 | 198 | 9324 | 280 | 9325 | 417 | 254 | 4.15E-03 | GSS06 - 2A □□□ 090C22 MDSKA□□ 090-22 80 |
| 99 | 225 | 3.5 | 10.238 | 229 | 9324 | 324 | 9325 | 522 | 225 | 3.88E-03 | GSS06 - 2A □□□ 090C22 MDSKA□□ 090-22 80 |
| 108 | 205 | 3.4 | 11.200 | 251 | 9324 | 355 | 9325 | 524 | 205 | 3.84E-03 | GSS06 - 2A □□□ 090C22 MDSKA□□ 090-22 80 |
| 118 | 185 | 2.9 | 12.400 | 272 | 9324 | 385 | 9325 | 523 | 185 | 3.95E-03 | GSS06 - 2A □□□ 090C22 MDSKA□□ 090-22 80 |
| 138 | 161 | 3.5 | 14.286 | 321 | 9324 | 453 | 9325 | 528 | 161 | 3.76E-03 | GSS06 - 2A □□□ 090C22 MDSKA□□ 090-22 80 |
| 151 | 145 | 2.7 | 15.869 | 348 | 9324 | 492 | 9325 | 605 | 145 | 3.83E-03 | GSS06 - 2A □□□ 090C22 MDSKA□□ 090-22 80 |
| 165 | 132 | 2.7 | 17.360 | 380 | 9324 | 537 | 9325 | 624 | 132 | 3.80E-03 | GSS06 - 2A □□□ 090C22 MDSKA□□ 090-22 80 |
| 182 | 113 | 1.8 | 20.417 | 414 | 9324 | 493 | 9325 | 488 | 113 | 4.02E-03 | GSS06 - 2A □□□ 090C22 MDSKA□□ 090-22 80 |
| 211 | 104 | 2.5 | 22.143 | 484 | 9324 | 684 | 9325 | 673 | 104 | 3.74E-03 | GSS06 - 2A □□□ 090C22 MDSKA□□ 090-22 80 |
| 223 | 93 | 1.7 | 24.800 | 509 | 9324 | 578 | 9325 | 561 | 93 | 3.91E-03 | GSS06 - 2A □□□ 090C22 MDSKA□□ 090-22 80 |
| 258 | 85 | 2.3 | 27.125 | 592 | 9324 | 836 | 9325 | 718 | 85 | 3.70E-03 | GSS06 - 2A □□□ 090C22 MDSKA□□ 090-22 80 |
| 285 | 72 | 1.6 | 31.738 | 649 | 9324 | 690 | 9325 | 609 | 72 | 3.81E-03 | GSS06 - 2A □□□ 090C22 MDSKA□□ 090-22 80 |
| 349 | 59 | 1.5 | 39.200 | 783 | 9324 | 783 | 9325 | 637 | 59 | 3.76E-03 | GSS06 - 2A □□□ 090C22 MDSKA□□ 090-22 80 |
| 444 | 46 | 1.3 | 50.000 | 856 | 9324 | 856 | 9325 | 693 | 46 | 3.72E-03 | GSS06 - 2A □□□ 090C22 MDSKA□□ 090-22 80 |

Observe the notes for thermal dimensioning.

Selection tables - Helical-worm gearboxes

Naturally ventilated asynchronous geared servo motors

| M ₂ [Nm] | n ₂ trans [rpm] | c | i | M ₂ max short-time M ₂ Gr on geared motor at | | | | n ₂ therm gearbox c=1 n ₁ ≤ 1400 rpm | | J _G M referred to motor shaft [kgm ²] | Servo helical- worm geared motor Dimensions on Page 7-47 |
|------------------------|-------------------------------|------------|----------------|---|-------------|----------------------------|-------------|---|-----------|--|---|
| | | | | 8 kHz | | 16 kHz | | [Nm] | [rpm] | | |
| | | | | M ₂ max [Nm] | Type EVS | M ₂ max [Nm] | Type EVS | | | | |
| 484 | 42 | 1.2 | 54.250 | 904 | 9324 | 904 | 9325 | 720 | 42 | 3.70E-03 | GSS06 - 2A □□□ 090C22 MDSKA□□ 090-22 80 |
| 542 | 38 | 1.1 | 61.250 | 916 | 9324 | 916 | 9325 | 720 | 38 | 3.69E-03 | GSS06 - 2A □□□ 090C22 MDSKA□□ 090-22 80 |
| 49 | 705 | 2.4 | 5.833 | 123 | 9325 | 148 | 9326 | 356 | 533 | 4.30E-03 | GSS06 - 2A □□□ 090C22 MDSKA□□ 090-22 140 |
| 68 | 514 | 2.8 | 8.000 | 170 | 9325 | 204 | 9326 | 489 | 389 | 4.02E-03 | GSS06 - 2A □□□ 090C22 MDSKA□□ 090-22 140 |
| 76 | 455 | 2.7 | 9.042 | 190 | 9325 | 227 | 9326 | 417 | 344 | 4.15E-03 | GSS06 - 2A □□□ 090C22 MDSKA□□ 090-22 140 |
| 87 | 401 | 2.8 | 10.238 | 219 | 9325 | 262 | 9326 | 522 | 304 | 3.88E-03 | GSS06 - 2A □□□ 090C22 MDSKA□□ 090-22 140 |
| 95 | 367 | 2.8 | 11.200 | 240 | 9325 | 287 | 9326 | 524 | 278 | 3.84E-03 | GSS06 - 2A □□□ 090C22 MDSKA□□ 090-22 140 |
| 104 | 331 | 2.4 | 12.400 | 261 | 9325 | 312 | 9326 | 523 | 251 | 3.95E-03 | GSS06 - 2A □□□ 090C22 MDSKA□□ 090-22 140 |
| 122 | 288 | 2.7 | 14.286 | 307 | 9325 | 367 | 9326 | 528 | 218 | 3.76E-03 | GSS06 - 2A □□□ 090C22 MDSKA□□ 090-22 140 |
| 134 | 259 | 2.3 | 15.869 | 334 | 9325 | 400 | 9326 | 605 | 196 | 3.83E-03 | GSS06 - 2A □□□ 090C22 MDSKA□□ 090-22 140 |
| 146 | 237 | 2.2 | 17.360 | 365 | 9325 | 437 | 9326 | 624 | 179 | 3.80E-03 | GSS06 - 2A □□□ 090C22 MDSKA□□ 090-22 140 |
| 160 | 201 | 1.5 | 20.417 | 361 | 9325 | 361 | 9326 | 488 | 152 | 4.02E-03 | GSS06 - 2A □□□ 090C22 MDSKA□□ 090-22 140 |
| 187 | 186 | 2.1 | 22.143 | 465 | 9325 | 557 | 9326 | 673 | 141 | 3.74E-03 | GSS06 - 2A □□□ 090C22 MDSKA□□ 090-22 140 |
| 197 | 166 | 1.4 | 24.800 | 422 | 9325 | 422 | 9326 | 561 | 125 | 3.91E-03 | GSS06 - 2A □□□ 090C22 MDSKA□□ 090-22 140 |
| 229 | 152 | 1.9 | 27.125 | 569 | 9325 | 672 | 9326 | 718 | 115 | 3.70E-03 | GSS06 - 2A □□□ 090C22 MDSKA□□ 090-22 140 |
| 253 | 130 | 1.3 | 31.738 | 503 | 9325 | 503 | 9326 | 609 | 98 | 3.81E-03 | GSS06 - 2A □□□ 090C22 MDSKA□□ 090-22 140 |
| 309 | 105 | 1.2 | 39.200 | 573 | 9325 | 573 | 9326 | 637 | 79 | 3.76E-03 | GSS06 - 2A □□□ 090C22 MDSKA□□ 090-22 140 |
| 393 | 82 | 1.2 | 50.000 | 680 | 9325 | 680 | 9326 | 693 | 62 | 3.72E-03 | GSS06 - 2A □□□ 090C22 MDSKA□□ 090-22 140 |
| 429 | 76 | 1.1 | 54.250 | 738 | 9325 | 738 | 9326 | 720 | 57 | 3.70E-03 | GSS06 - 2A □□□ 090C22 MDSKA□□ 090-22 140 |
| 480 | 67 | 1.1 | 61.250 | 784 | 9325 | 784 | 9326 | 720 | 51 | 3.69E-03 | GSS06 - 2A □□□ 090C22 MDSKA□□ 090-22 140 |
| 196 | 31 | 1.9 | 126.531 | 441 | 9322 | 525 | 9323 | 720 | 31 | 2.71E-04 | GSS06 - 3A □□□ 056C22 MDSKA□□ 056-22 140 |
| 218 | 28 | 1.9 | 142.857 | 491 | 9322 | 585 | 9323 | 720 | 28 | 2.70E-04 | GSS06 - 3A □□□ 056C22 MDSKA□□ 056-22 140 |
| 238 | 25 | 1.7 | 155.000 | 535 | 9322 | 611 | 9323 | 720 | 25 | 2.67E-04 | GSS06 - 3A □□□ 056C22 MDSKA□□ 056-22 140 |
| 265 | 23 | 1.7 | 175.000 | 595 | 9322 | 680 | 9323 | 720 | 23 | 2.66E-04 | GSS06 - 3A □□□ 056C22 MDSKA□□ 056-22 140 |
| 297 | 20 | 1.4 | 194.857 | 638 | 9322 | 638 | 9323 | 720 | 20 | 2.54E-04 | GSS06 - 3A □□□ 056C22 MDSKA□□ 056-22 140 |
| 331 | 18 | 1.4 | 220.000 | 709 | 9322 | 709 | 9323 | 720 | 18 | 2.54E-04 | GSS06 - 3A □□□ 056C22 MDSKA□□ 056-22 140 |
| 361 | 17 | 1.3 | 238.700 | 686 | 9322 | 686 | 9323 | 720 | 17 | 2.53E-04 | GSS06 - 3A □□□ 056C22 MDSKA□□ 056-22 140 |
| 401 | 15 | 1.3 | 269.500 | 763 | 9322 | 763 | 9323 | 720 | 15 | 2.52E-04 | GSS06 - 3A □□□ 056C22 MDSKA□□ 056-22 140 |
| 202 | 31 | 5.8 | 128.333 | 476 | 9322 | 567 | 9323 | 1250 | 31 | 3.19E-04 | GSS07 - 2A □□□ 056C22 MDSKA□□ 056-22 140 |
| 219 | 29 | 5.4 | 137.950 | 514 | 9322 | 612 | 9323 | 1250 | 29 | 3.01E-04 | GSS07 - 2A □□□ 056C22 MDSKA□□ 056-22 140 |
| 247 | 25 | 4.8 | 155.750 | 575 | 9322 | 684 | 9323 | 1250 | 25 | 2.98E-04 | GSS07 - 2A □□□ 056C22 MDSKA□□ 056-22 140 |
| 278 | 23 | 4.3 | 174.375 | 644 | 9322 | 767 | 9323 | 1250 | 23 | 2.79E-04 | GSS07 - 2A □□□ 056C22 MDSKA□□ 056-22 140 |
| 313 | 20 | 3.8 | 196.875 | 720 | 9322 | 858 | 9323 | 1250 | 20 | 2.77E-04 | GSS07 - 2A □□□ 056C22 MDSKA□□ 056-22 140 |
| 163 | 81 | 4.2 | 50.000 | 532 | 9324 | 389 | 9324 | 1250 | 81 | 1.18E-03 | GSS07 - 2A □□□ 071C22 MDSKA□□ 071-22 140 |

Observe the notes for thermal dimensioning.

Selection tables - Helical-worm gearboxes

Naturally ventilated asynchronous geared servo motors



| M ₂ [Nm] | n _{2 trans} [rpm] | c | i | M _{2 max} short-time M _{2 Gr} on geared motor at | | | | n _{2 therm} gearbox c=1 | | J _{GM} referred to motor shaft [kgm ²] | Servo helical- worm geared motor Dimensions on Page 7-47 |
|------------------------|-------------------------------|-----|---------|---|-------------|----------------------------|-------------|--|-------|---|---|
| | | | | 8 kHz | | 16 kHz | | n ₁ ≤ 1400 rpm [Nm] | [rpm] | | |
| | | | | M _{2 max} [Nm] | Type EVS | M _{2 max} [Nm] | Type EVS | | | | |
| 232 | 57 | 3.9 | 70.611 | 756 | 9324 | 552 | 9324 | 1250 | 57 | 1.01E-03 | GSS07 - 2A □□□ 071C22 MDSKA□□ 071-22 140 |
| 260 | 51 | 3.7 | 79.722 | 844 | 9324 | 616 | 9324 | 1250 | 51 | 1.00E-03 | GSS07 - 2A □□□ 071C22 MDSKA□□ 071-22 140 |
| 284 | 47 | 3.7 | 86.542 | 924 | 9324 | 675 | 9324 | 1250 | 47 | 9.64E-04 | GSS07 - 2A □□□ 071C22 MDSKA□□ 071-22 140 |
| 318 | 41 | 3.5 | 97.708 | 1032 | 9324 | 754 | 9324 | 1250 | 41 | 9.56E-04 | GSS07 - 2A □□□ 071C22 MDSKA□□ 071-22 140 |
| 373 | 36 | 3.2 | 113.667 | 1207 | 9324 | 881 | 9324 | 1250 | 36 | 9.13E-04 | GSS07 - 2A □□□ 071C22 MDSKA□□ 071-22 140 |
| 418 | 32 | 2.9 | 128.333 | 1348 | 9324 | 984 | 9324 | 1250 | 32 | 9.09E-04 | GSS07 - 2A □□□ 071C22 MDSKA□□ 071-22 140 |
| 453 | 29 | 2.7 | 137.950 | 1455 | 9324 | 1063 | 9324 | 1250 | 29 | 8.91E-04 | GSS07 - 2A □□□ 071C22 MDSKA□□ 071-22 140 |
| 508 | 26 | 2.4 | 155.750 | 1627 | 9324 | 1188 | 9324 | 1250 | 26 | 8.88E-04 | GSS07 - 2A □□□ 071C22 MDSKA□□ 071-22 140 |
| 571 | 23 | 2.1 | 174.375 | 1824 | 9324 | 1332 | 9324 | 1250 | 23 | 8.69E-04 | GSS07 - 2A □□□ 071C22 MDSKA□□ 071-22 140 |
| 640 | 21 | 1.9 | 196.875 | 1866 | 9324 | 1489 | 9324 | 1250 | 21 | 8.67E-04 | GSS07 - 2A □□□ 071C22 MDSKA□□ 071-22 140 |
| 169 | 65 | 4.7 | 31.000 | 399 | 9323 | 560 | 9324 | 1065 | 65 | 2.63E-03 | GSS07 - 2A □□□ 080C22 MDSKA□□ 080-22 70 |
| 201 | 57 | 5.9 | 35.306 | 478 | 9323 | 671 | 9324 | 1250 | 57 | 2.12E-03 | GSS07 - 2A □□□ 080C22 MDSKA□□ 080-22 70 |
| 213 | 51 | 4.3 | 39.200 | 499 | 9323 | 700 | 9324 | 1175 | 51 | 2.46E-03 | GSS07 - 2A □□□ 080C22 MDSKA□□ 080-22 70 |
| 248 | 46 | 4.8 | 43.271 | 584 | 9323 | 820 | 9324 | 1250 | 46 | 2.06E-03 | GSS07 - 2A □□□ 080C22 MDSKA□□ 080-22 70 |
| 271 | 40 | 4.0 | 50.000 | 634 | 9323 | 890 | 9324 | 1250 | 40 | 2.27E-03 | GSS07 - 2A □□□ 080C22 MDSKA□□ 080-22 70 |
| 297 | 37 | 3.9 | 54.250 | 693 | 9323 | 973 | 9324 | 1250 | 37 | 2.21E-03 | GSS07 - 2A □□□ 080C22 MDSKA□□ 080-22 70 |
| 333 | 33 | 3.5 | 61.250 | 774 | 9323 | 1087 | 9324 | 1250 | 33 | 2.19E-03 | GSS07 - 2A □□□ 080C22 MDSKA□□ 080-22 70 |
| 388 | 28 | 3.1 | 70.611 | 897 | 9323 | 1259 | 9324 | 1250 | 28 | 2.10E-03 | GSS07 - 2A □□□ 080C22 MDSKA□□ 080-22 70 |
| 435 | 25 | 2.8 | 79.722 | 1002 | 9323 | 1407 | 9324 | 1250 | 25 | 2.09E-03 | GSS07 - 2A □□□ 080C22 MDSKA□□ 080-22 70 |
| 475 | 23 | 2.6 | 86.542 | 1091 | 9323 | 1532 | 9324 | 1250 | 23 | 2.05E-03 | GSS07 - 2A □□□ 080C22 MDSKA□□ 080-22 70 |
| 533 | 20 | 2.3 | 97.708 | 1220 | 9323 | 1713 | 9324 | 1250 | 20 | 2.05E-03 | GSS07 - 2A □□□ 080C22 MDSKA□□ 080-22 70 |
| 622 | 18 | 2.0 | 113.667 | 1419 | 9323 | 1875 | 9324 | 1250 | 18 | 2.00E-03 | GSS07 - 2A □□□ 080C22 MDSKA□□ 080-22 70 |
| 697 | 16 | 1.8 | 128.333 | 1585 | 9323 | 1875 | 9324 | 1250 | 16 | 2.00E-03 | GSS07 - 2A □□□ 080C22 MDSKA□□ 080-22 70 |
| 752 | 15 | 1.6 | 137.950 | 1709 | 9323 | 1875 | 9324 | 1250 | 15 | 1.98E-03 | GSS07 - 2A □□□ 080C22 MDSKA□□ 080-22 70 |
| 841 | 13 | 1.5 | 155.750 | 1875 | 9323 | 1875 | 9324 | 1250 | 13 | 1.98E-03 | GSS07 - 2A □□□ 080C22 MDSKA□□ 080-22 70 |
| 80 | 236 | 5.8 | 17.360 | 207 | 9324 | 300 | 9325 | 1012 | 207 | 2.56E-03 | GSS07 - 2A □□□ 080C22 MDSKA□□ 080-22 140 |
| 103 | 185 | 5.4 | 22.143 | 264 | 9324 | 382 | 9325 | 1211 | 162 | 2.34E-03 | GSS07 - 2A □□□ 080C22 MDSKA□□ 080-22 140 |
| 126 | 151 | 5.1 | 27.125 | 324 | 9324 | 468 | 9325 | 1250 | 132 | 2.23E-03 | GSS07 - 2A □□□ 080C22 MDSKA□□ 080-22 140 |
| 138 | 132 | 3.7 | 31.000 | 349 | 9324 | 505 | 9325 | 1065 | 116 | 2.63E-03 | GSS07 - 2A □□□ 080C22 MDSKA□□ 080-22 140 |
| 165 | 116 | 4.8 | 35.306 | 421 | 9324 | 609 | 9325 | 1250 | 102 | 2.12E-03 | GSS07 - 2A □□□ 080C22 MDSKA□□ 080-22 140 |
| 174 | 105 | 3.3 | 39.200 | 438 | 9324 | 633 | 9325 | 1175 | 92 | 2.46E-03 | GSS07 - 2A □□□ 080C22 MDSKA□□ 080-22 140 |
| 202 | 95 | 4.5 | 43.271 | 514 | 9324 | 744 | 9325 | 1250 | 83 | 2.06E-03 | GSS07 - 2A □□□ 080C22 MDSKA□□ 080-22 140 |
| 223 | 82 | 3.1 | 50.000 | 558 | 9324 | 807 | 9325 | 1250 | 72 | 2.27E-03 | GSS07 - 2A □□□ 080C22 MDSKA□□ 080-22 140 |
| 244 | 76 | 3.1 | 54.250 | 610 | 9324 | 883 | 9325 | 1250 | 66 | 2.21E-03 | GSS07 - 2A □□□ 080C22 MDSKA□□ 080-22 140 |

Observe the notes for thermal dimensioning.

Selection tables - Helical-worm gearboxes

Naturally ventilated asynchronous geared servo motors

| M ₂ [Nm] | n ₂ trans [rpm] | c | i | M ₂ max short-time M ₂ Gr on geared motor at | | | | n ₂ therm gearbox c=1 n ₁ ≤ 1400 rpm | | J _{GM} referred to motor shaft [kgm ²] | Servo helical- worm geared motor Dimensions on Page 7-47 |
|------------------------|-------------------------------|-----|---------|---|-------------|----------------------------|-------------|---|-------|---|---|
| | | | | 8 kHz | | 16 kHz | | [Nm] | [rpm] | | |
| | | | | M ₂ max [Nm] | Type EVS | M ₂ max [Nm] | Type EVS | | | | |
| 273 | 67 | 2.9 | 61.250 | 682 | 9324 | 986 | 9325 | 1250 | 59 | 2.19E-03 | GSS07 - 2A □□□ 080C22 MDSKA□□ 080-22 140 |
| 317 | 58 | 2.9 | 70.611 | 791 | 9324 | 1145 | 9325 | 1250 | 51 | 2.10E-03 | GSS07 - 2A □□□ 080C22 MDSKA□□ 080-22 140 |
| 354 | 51 | 2.7 | 79.722 | 885 | 9324 | 1280 | 9325 | 1250 | 45 | 2.09E-03 | GSS07 - 2A □□□ 080C22 MDSKA□□ 080-22 140 |
| 388 | 47 | 2.7 | 86.542 | 968 | 9324 | 1401 | 9325 | 1250 | 41 | 2.05E-03 | GSS07 - 2A □□□ 080C22 MDSKA□□ 080-22 140 |
| 434 | 42 | 2.6 | 97.708 | 1081 | 9324 | 1565 | 9325 | 1250 | 37 | 2.05E-03 | GSS07 - 2A □□□ 080C22 MDSKA□□ 080-22 140 |
| 509 | 36 | 2.4 | 113.667 | 1264 | 9324 | 1829 | 9325 | 1250 | 32 | 2.00E-03 | GSS07 - 2A □□□ 080C22 MDSKA□□ 080-22 140 |
| 570 | 32 | 2.2 | 128.333 | 1412 | 9324 | 1868 | 9325 | 1250 | 28 | 2.00E-03 | GSS07 - 2A □□□ 080C22 MDSKA□□ 080-22 140 |
| 616 | 30 | 2.0 | 137.950 | 1525 | 9324 | 1868 | 9325 | 1250 | 26 | 1.98E-03 | GSS07 - 2A □□□ 080C22 MDSKA□□ 080-22 140 |
| 691 | 26 | 1.8 | 155.750 | 1705 | 9324 | 1869 | 9325 | 1250 | 23 | 1.98E-03 | GSS07 - 2A □□□ 080C22 MDSKA□□ 080-22 140 |
| 77 | 283 | 5.6 | 8.125 | 183 | 9324 | 259 | 9325 | 685 | 283 | 4.88E-03 | GSS07 - 2A □□□ 090C22 MDSKA□□ 090-22 80 |
| 85 | 253 | 5.0 | 9.086 | 201 | 9324 | 283 | 9325 | 628 | 253 | 5.34E-03 | GSS07 - 2A □□□ 090C22 MDSKA□□ 090-22 80 |
| 95 | 230 | 5.3 | 10.000 | 226 | 9324 | 320 | 9325 | 797 | 230 | 4.51E-03 | GSS07 - 2A □□□ 090C22 MDSKA□□ 090-22 80 |
| 107 | 205 | 5.1 | 11.200 | 253 | 9324 | 358 | 9325 | 866 | 205 | 4.35E-03 | GSS07 - 2A □□□ 090C22 MDSKA□□ 090-22 80 |
| 119 | 183 | 4.3 | 12.594 | 278 | 9324 | 393 | 9325 | 799 | 183 | 4.67E-03 | GSS07 - 2A □□□ 090C22 MDSKA□□ 090-22 80 |
| 137 | 161 | 4.8 | 14.286 | 324 | 9324 | 457 | 9325 | 973 | 161 | 4.08E-03 | GSS07 - 2A □□□ 090C22 MDSKA□□ 090-22 80 |
| 146 | 148 | 4.1 | 15.500 | 342 | 9324 | 484 | 9325 | 931 | 148 | 4.38E-03 | GSS07 - 2A □□□ 090C22 MDSKA□□ 090-22 80 |
| 164 | 132 | 4.0 | 17.360 | 383 | 9324 | 542 | 9325 | 1012 | 132 | 4.24E-03 | GSS07 - 2A □□□ 090C22 MDSKA□□ 090-22 80 |
| 183 | 112 | 2.9 | 20.517 | 423 | 9324 | 598 | 9325 | 764 | 112 | 4.96E-03 | GSS07 - 2A □□□ 090C22 MDSKA□□ 090-22 80 |
| 210 | 104 | 3.7 | 22.143 | 488 | 9324 | 690 | 9325 | 1211 | 104 | 4.02E-03 | GSS07 - 2A □□□ 090C22 MDSKA□□ 090-22 80 |
| 228 | 91 | 2.6 | 25.188 | 524 | 9324 | 740 | 9325 | 913 | 91 | 4.56E-03 | GSS07 - 2A □□□ 090C22 MDSKA□□ 090-22 80 |
| 257 | 85 | 3.5 | 27.125 | 597 | 9324 | 844 | 9325 | 1250 | 85 | 3.91E-03 | GSS07 - 2A □□□ 090C22 MDSKA□□ 090-22 80 |
| 280 | 74 | 2.5 | 31.000 | 645 | 9324 | 911 | 9325 | 1065 | 74 | 4.31E-03 | GSS07 - 2A □□□ 090C22 MDSKA□□ 090-22 80 |
| 334 | 65 | 3.3 | 35.306 | 774 | 9324 | 1094 | 9325 | 1250 | 65 | 3.80E-03 | GSS07 - 2A □□□ 090C22 MDSKA□□ 090-22 80 |
| 352 | 59 | 2.3 | 39.200 | 808 | 9324 | 1142 | 9325 | 1175 | 59 | 4.14E-03 | GSS07 - 2A □□□ 090C22 MDSKA□□ 090-22 80 |
| 410 | 53 | 3.0 | 43.271 | 947 | 9324 | 1338 | 9325 | 1250 | 53 | 3.74E-03 | GSS07 - 2A □□□ 090C22 MDSKA□□ 090-22 80 |
| 449 | 46 | 2.1 | 50.000 | 1027 | 9324 | 1453 | 9325 | 1250 | 46 | 3.95E-03 | GSS07 - 2A □□□ 090C22 MDSKA□□ 090-22 80 |
| 491 | 42 | 2.1 | 54.250 | 1124 | 9324 | 1589 | 9325 | 1250 | 42 | 3.89E-03 | GSS07 - 2A □□□ 090C22 MDSKA□□ 090-22 80 |
| 549 | 38 | 2.0 | 61.250 | 1255 | 9324 | 1688 | 9325 | 1250 | 38 | 3.87E-03 | GSS07 - 2A □□□ 090C22 MDSKA□□ 090-22 80 |
| 638 | 33 | 1.9 | 70.611 | 1457 | 9324 | 1827 | 9325 | 1250 | 33 | 3.78E-03 | GSS07 - 2A □□□ 090C22 MDSKA□□ 090-22 80 |
| 714 | 29 | 1.7 | 79.722 | 1627 | 9324 | 1851 | 9325 | 1250 | 29 | 3.77E-03 | GSS07 - 2A □□□ 090C22 MDSKA□□ 090-22 80 |
| 781 | 27 | 1.6 | 86.542 | 1777 | 9324 | 1875 | 9325 | 1250 | 27 | 3.73E-03 | GSS07 - 2A □□□ 090C22 MDSKA□□ 090-22 80 |
| 874 | 24 | 1.4 | 97.708 | 1875 | 9324 | 1875 | 9325 | 1250 | 24 | 3.73E-03 | GSS07 - 2A □□□ 090C22 MDSKA□□ 090-22 80 |
| 49 | 701 | 5.1 | 5.862 | 126 | 9325 | 151 | 9326 | 539 | 531 | 5.74E-03 | GSS07 - 2A □□□ 090C22 MDSKA□□ 090-22 140 |
| 68 | 506 | 4.6 | 8.125 | 175 | 9325 | 210 | 9326 | 685 | 383 | 4.88E-03 | GSS07 - 2A □□□ 090C22 MDSKA□□ 090-22 140 |

Observe the notes for thermal dimensioning.

Selection tables - Helical-worm gearboxes

Naturally ventilated asynchronous geared servo motors



| M ₂ [Nm] | n ₂ trans [rpm] | c | i | M ₂ max short-time M ₂ Gr on geared motor at | | | | n ₂ therm gearbox c=1 n ₁ ≤ 1400 rpm | | J _{GM} referred to motor shaft [kgm ²] | Servo helical- worm geared motor Dimensions on Page 7-47 |
|------------------------|-------------------------------|-----|--------|---|-------------|----------------------------|-------------|---|-------|---|---|
| | | | | 8 kHz | | 16 kHz | | [Nm] | [rpm] | | |
| | | | | M ₂ max [Nm] | Type EVS | M ₂ max [Nm] | Type EVS | | | | |
| 75 | 452 | 4.5 | 9.086 | 192 | 9325 | 230 | 9326 | 628 | 342 | 5.34E-03 | GSS07 - 2A □□□ 090C22 MDSKA□□ 090-22 140 |
| 85 | 411 | 4.4 | 10.000 | 216 | 9325 | 259 | 9326 | 797 | 311 | 4.51E-03 | GSS07 - 2A □□□ 090C22 MDSKA□□ 090-22 140 |
| 95 | 367 | 4.2 | 11.200 | 242 | 9325 | 290 | 9326 | 866 | 278 | 4.35E-03 | GSS07 - 2A □□□ 090C22 MDSKA□□ 090-22 140 |
| 105 | 326 | 3.9 | 12.594 | 267 | 9325 | 319 | 9326 | 799 | 247 | 4.67E-03 | GSS07 - 2A □□□ 090C22 MDSKA□□ 090-22 140 |
| 122 | 288 | 4.0 | 14.286 | 310 | 9325 | 371 | 9326 | 973 | 218 | 4.08E-03 | GSS07 - 2A □□□ 090C22 MDSKA□□ 090-22 140 |
| 130 | 265 | 3.5 | 15.500 | 328 | 9325 | 393 | 9326 | 931 | 201 | 4.38E-03 | GSS07 - 2A □□□ 090C22 MDSKA□□ 090-22 140 |
| 145 | 237 | 3.3 | 17.360 | 368 | 9325 | 440 | 9326 | 1012 | 179 | 4.24E-03 | GSS07 - 2A □□□ 090C22 MDSKA□□ 090-22 140 |
| 161 | 200 | 2.6 | 20.517 | 405 | 9325 | 484 | 9326 | 764 | 152 | 4.96E-03 | GSS07 - 2A □□□ 090C22 MDSKA□□ 090-22 140 |
| 186 | 186 | 3.0 | 22.143 | 469 | 9325 | 561 | 9326 | 1211 | 141 | 4.02E-03 | GSS07 - 2A □□□ 090C22 MDSKA□□ 090-22 140 |
| 201 | 163 | 2.3 | 25.188 | 502 | 9325 | 601 | 9326 | 913 | 124 | 4.56E-03 | GSS07 - 2A □□□ 090C22 MDSKA□□ 090-22 140 |
| 228 | 152 | 2.9 | 27.125 | 574 | 9325 | 686 | 9326 | 1250 | 115 | 3.91E-03 | GSS07 - 2A □□□ 090C22 MDSKA□□ 090-22 140 |
| 248 | 133 | 2.1 | 31.000 | 618 | 9325 | 740 | 9326 | 1065 | 100 | 4.31E-03 | GSS07 - 2A □□□ 090C22 MDSKA□□ 090-22 140 |
| 297 | 116 | 2.7 | 35.306 | 746 | 9325 | 892 | 9326 | 1250 | 88 | 3.80E-03 | GSS07 - 2A □□□ 090C22 MDSKA□□ 090-22 140 |
| 312 | 105 | 1.9 | 39.200 | 776 | 9325 | 893 | 9326 | 1175 | 79 | 4.14E-03 | GSS07 - 2A □□□ 090C22 MDSKA□□ 090-22 140 |
| 364 | 95 | 2.6 | 43.271 | 912 | 9325 | 1091 | 9326 | 1250 | 72 | 3.74E-03 | GSS07 - 2A □□□ 090C22 MDSKA□□ 090-22 140 |
| 398 | 82 | 1.8 | 50.000 | 988 | 9325 | 1059 | 9326 | 1250 | 62 | 3.95E-03 | GSS07 - 2A □□□ 090C22 MDSKA□□ 090-22 140 |
| 435 | 76 | 1.8 | 54.250 | 1082 | 9325 | 1153 | 9326 | 1250 | 57 | 3.89E-03 | GSS07 - 2A □□□ 090C22 MDSKA□□ 090-22 140 |
| 487 | 67 | 1.7 | 61.250 | 1208 | 9325 | 1227 | 9326 | 1250 | 51 | 3.87E-03 | GSS07 - 2A □□□ 090C22 MDSKA□□ 090-22 140 |
| 565 | 58 | 1.6 | 70.611 | 1402 | 9325 | 1402 | 9326 | 1250 | 44 | 3.78E-03 | GSS07 - 2A □□□ 090C22 MDSKA□□ 090-22 140 |
| 632 | 52 | 1.6 | 79.722 | 1486 | 9325 | 1486 | 9326 | 1250 | 39 | 3.77E-03 | GSS07 - 2A □□□ 090C22 MDSKA□□ 090-22 140 |
| 692 | 47 | 1.6 | 86.542 | 1629 | 9325 | 1629 | 9326 | 1250 | 36 | 3.73E-03 | GSS07 - 2A □□□ 090C22 MDSKA□□ 090-22 140 |
| 774 | 42 | 1.5 | 97.708 | 1700 | 9325 | 1700 | 9326 | 1250 | 32 | 3.73E-03 | GSS07 - 2A □□□ 090C22 MDSKA□□ 090-22 140 |
| 85 | 399 | 4.1 | 5.862 | 255 | 9325 | 183 | 9325 | 539 | 399 | 9.34E-03 | GSS07 - 2A □□□ 100C22 MDSKA□□ 100-22 80 |
| 119 | 288 | 3.7 | 8.125 | 355 | 9325 | 254 | 9325 | 685 | 288 | 8.48E-03 | GSS07 - 2A □□□ 100C22 MDSKA□□ 100-22 80 |
| 131 | 258 | 3.3 | 9.086 | 388 | 9325 | 278 | 9325 | 628 | 258 | 8.94E-03 | GSS07 - 2A □□□ 100C22 MDSKA□□ 100-22 80 |
| 147 | 234 | 3.5 | 10.000 | 437 | 9325 | 313 | 9325 | 797 | 234 | 8.11E-03 | GSS07 - 2A □□□ 100C22 MDSKA□□ 100-22 80 |
| 165 | 209 | 3.4 | 11.200 | 490 | 9325 | 351 | 9325 | 866 | 209 | 7.95E-03 | GSS07 - 2A □□□ 100C22 MDSKA□□ 100-22 80 |
| 182 | 186 | 2.8 | 12.594 | 538 | 9325 | 385 | 9325 | 799 | 186 | 8.27E-03 | GSS07 - 2A □□□ 100C22 MDSKA□□ 100-22 80 |
| 211 | 164 | 3.2 | 14.286 | 626 | 9325 | 448 | 9325 | 1036 | 164 | 7.68E-03 | GSS07 - 2A □□□ 100C22 MDSKA□□ 100-22 80 |
| 224 | 151 | 2.7 | 15.500 | 662 | 9325 | 474 | 9325 | 931 | 151 | 7.98E-03 | GSS07 - 2A □□□ 100C22 MDSKA□□ 100-22 80 |
| 251 | 135 | 2.6 | 17.360 | 741 | 9325 | 531 | 9325 | 1012 | 135 | 7.84E-03 | GSS07 - 2A □□□ 100C22 MDSKA□□ 100-22 80 |
| 280 | 114 | 1.9 | 20.517 | 803 | 9325 | 586 | 9325 | 764 | 114 | 8.56E-03 | GSS07 - 2A □□□ 100C22 MDSKA□□ 100-22 80 |
| 321 | 106 | 2.5 | 22.143 | 944 | 9325 | 676 | 9325 | 1211 | 106 | 7.62E-03 | GSS07 - 2A □□□ 100C22 MDSKA□□ 100-22 80 |
| 347 | 93 | 1.7 | 25.188 | 904 | 9325 | 725 | 9325 | 913 | 93 | 8.16E-03 | GSS07 - 2A □□□ 100C22 MDSKA□□ 100-22 80 |

Observe the notes for thermal dimensioning.

Selection tables - Helical-worm gearboxes

Naturally ventilated asynchronous geared servo motors

| M ₂ [Nm] | n ₂ trans [rpm] | c | i | M ₂ max short-time M ₂ Gr on geared motor at | | | | n ₂ therm gearbox c=1 n ₁ ≤ 1400 rpm | | J _G M referred to motor shaft [kgm ²] | Servo helical- worm geared motor Dimensions on Page 7-47 |
|------------------------|-------------------------------|-----|--------|---|-------------|----------------------------|-------------|---|-------|--|---|
| | | | | 8 kHz | | 16 kHz | | [Nm] | [rpm] | | |
| | | | | M ₂ max [Nm] | Type EVS | M ₂ max [Nm] | Type EVS | | | | |
| 393 | 86 | 2.3 | 27.125 | 1155 | 9325 | 827 | 9325 | 1250 | 86 | 7.51E-03 | GSS07 - 2A □□□ 100C22 MDSKA□□ 100-22 80 |
| 427 | 75 | 1.6 | 31.000 | 1055 | 9325 | 893 | 9325 | 1065 | 75 | 7.91E-03 | GSS07 - 2A □□□ 100C22 MDSKA□□ 100-22 80 |
| 536 | 60 | 1.5 | 39.200 | 1222 | 9325 | 1119 | 9325 | 1175 | 60 | 7.74E-03 | GSS07 - 2A □□□ 100C22 MDSKA□□ 100-22 80 |
| 683 | 47 | 1.4 | 50.000 | 1459 | 9325 | 1423 | 9325 | 1250 | 47 | 7.55E-03 | GSS07 - 2A □□□ 100C22 MDSKA□□ 100-22 80 |
| 747 | 43 | 1.4 | 54.250 | 1598 | 9325 | 1556 | 9325 | 1250 | 43 | 7.49E-03 | GSS07 - 2A □□□ 100C22 MDSKA□□ 100-22 80 |
| 835 | 38 | 1.3 | 61.250 | 1688 | 9325 | 1688 | 9325 | 1250 | 38 | 7.47E-03 | GSS07 - 2A □□□ 100C22 MDSKA□□ 100-22 80 |
| 63 | 708 | 4.0 | 5.862 | 233 | 9326 | 139 | 9326 | 539 | 418 | 9.34E-03 | GSS07 - 2A □□□ 100C22 MDSKA□□ 100-22 140 |
| 87 | 511 | 3.7 | 8.125 | 325 | 9326 | 193 | 9326 | 685 | 301 | 8.48E-03 | GSS07 - 2A □□□ 100C22 MDSKA□□ 100-22 140 |
| 96 | 457 | 3.6 | 9.086 | 355 | 9326 | 212 | 9326 | 628 | 269 | 8.94E-03 | GSS07 - 2A □□□ 100C22 MDSKA□□ 100-22 140 |
| 108 | 415 | 3.5 | 10.000 | 400 | 9326 | 238 | 9326 | 797 | 245 | 8.11E-03 | GSS07 - 2A □□□ 100C22 MDSKA□□ 100-22 140 |
| 121 | 371 | 3.4 | 11.200 | 449 | 9326 | 267 | 9326 | 866 | 219 | 7.95E-03 | GSS07 - 2A □□□ 100C22 MDSKA□□ 100-22 140 |
| 134 | 330 | 3.1 | 12.594 | 493 | 9326 | 294 | 9326 | 799 | 194 | 8.27E-03 | GSS07 - 2A □□□ 100C22 MDSKA□□ 100-22 140 |
| 155 | 291 | 3.1 | 14.286 | 573 | 9326 | 342 | 9326 | 1036 | 171 | 7.68E-03 | GSS07 - 2A □□□ 100C22 MDSKA□□ 100-22 140 |
| 165 | 268 | 2.8 | 15.500 | 607 | 9326 | 362 | 9326 | 931 | 158 | 7.98E-03 | GSS07 - 2A □□□ 100C22 MDSKA□□ 100-22 140 |
| 185 | 239 | 2.6 | 17.360 | 680 | 9326 | 405 | 9326 | 1012 | 141 | 7.84E-03 | GSS07 - 2A □□□ 100C22 MDSKA□□ 100-22 140 |
| 205 | 202 | 2.1 | 20.517 | 643 | 9326 | 446 | 9326 | 764 | 119 | 8.56E-03 | GSS07 - 2A □□□ 100C22 MDSKA□□ 100-22 140 |
| 237 | 187 | 2.4 | 22.143 | 867 | 9326 | 517 | 9326 | 1211 | 111 | 7.62E-03 | GSS07 - 2A □□□ 100C22 MDSKA□□ 100-22 140 |
| 255 | 165 | 1.8 | 25.188 | 713 | 9326 | 553 | 9326 | 913 | 97 | 8.16E-03 | GSS07 - 2A □□□ 100C22 MDSKA□□ 100-22 140 |
| 290 | 153 | 2.3 | 27.125 | 1010 | 9326 | 632 | 9326 | 1250 | 90 | 7.51E-03 | GSS07 - 2A □□□ 100C22 MDSKA□□ 100-22 140 |
| 314 | 134 | 1.7 | 31.000 | 796 | 9326 | 681 | 9326 | 1065 | 79 | 7.91E-03 | GSS07 - 2A □□□ 100C22 MDSKA□□ 100-22 140 |
| 396 | 106 | 1.5 | 39.200 | 893 | 9326 | 856 | 9326 | 1175 | 62 | 7.74E-03 | GSS07 - 2A □□□ 100C22 MDSKA□□ 100-22 140 |
| 505 | 83 | 1.4 | 50.000 | 1059 | 9326 | 1059 | 9326 | 1250 | 49 | 7.55E-03 | GSS07 - 2A □□□ 100C22 MDSKA□□ 100-22 140 |
| 552 | 77 | 1.4 | 54.250 | 1153 | 9326 | 1153 | 9326 | 1250 | 45 | 7.49E-03 | GSS07 - 2A □□□ 100C22 MDSKA□□ 100-22 140 |
| 617 | 68 | 1.3 | 61.250 | 1227 | 9326 | 1227 | 9326 | 1250 | 40 | 7.47E-03 | GSS07 - 2A □□□ 100C22 MDSKA□□ 100-22 140 |
| 131 | 425 | 2.7 | 5.862 | 422 | 9326 | 302 | 9326 | 539 | 343 | 2.01E-02 | GSS07 - 2A □□□ 112C22 MDSKA□□ 112-22 85 |
| 182 | 306 | 2.5 | 8.125 | 586 | 9326 | 419 | 9326 | 685 | 248 | 1.93E-02 | GSS07 - 2A □□□ 112C22 MDSKA□□ 112-22 85 |
| 199 | 274 | 2.2 | 9.086 | 641 | 9326 | 458 | 9326 | 628 | 222 | 1.97E-02 | GSS07 - 2A □□□ 112C22 MDSKA□□ 112-22 85 |
| 225 | 249 | 2.3 | 10.000 | 723 | 9326 | 517 | 9326 | 797 | 201 | 1.89E-02 | GSS07 - 2A □□□ 112C22 MDSKA□□ 112-22 85 |
| 252 | 222 | 2.3 | 11.200 | 810 | 9326 | 579 | 9326 | 866 | 180 | 1.87E-02 | GSS07 - 2A □□□ 112C22 MDSKA□□ 112-22 85 |
| 278 | 198 | 1.9 | 12.594 | 793 | 9326 | 636 | 9326 | 799 | 160 | 1.91E-02 | GSS07 - 2A □□□ 112C22 MDSKA□□ 112-22 85 |
| 342 | 161 | 1.8 | 15.500 | 925 | 9326 | 782 | 9326 | 931 | 130 | 1.88E-02 | GSS07 - 2A □□□ 112C22 MDSKA□□ 112-22 85 |
| 383 | 143 | 1.7 | 17.360 | 1005 | 9326 | 876 | 9326 | 1012 | 116 | 1.86E-02 | GSS07 - 2A □□□ 112C22 MDSKA□□ 112-22 85 |
| 425 | 121 | 1.3 | 20.517 | 803 | 9326 | 803 | 9326 | 764 | 98 | 1.94E-02 | GSS07 - 2A □□□ 112C22 MDSKA□□ 112-22 85 |
| 527 | 99 | 1.1 | 25.188 | 904 | 9326 | 904 | 9326 | 913 | 80 | 1.90E-02 | GSS07 - 2A □□□ 112C22 MDSKA□□ 112-22 85 |

Observe the notes for thermal dimensioning.

Selection tables - Helical-worm gearboxes

Naturally ventilated asynchronous geared servo motors



| M ₂ [Nm] | n ₂ trans [rpm] | c | i | M ₂ max short-time M ₂ Gr on geared motor at | | | | n ₂ therm gearbox c=1 n ₁ ≤ 1400 rpm | | J _{GM} referred to motor shaft [kgm ²] | Servo helical- worm geared motor Dimensions on Page 7-47 |
|------------------------|-------------------------------|------------|----------------|---|-------------|----------------------------|-------------|---|-----------|---|---|
| | | | | 8 kHz | | 16 kHz | | [Nm] | [rpm] | | |
| | | | | M ₂ max [Nm] | Type EVS | M ₂ max [Nm] | Type EVS | | | | |
| 649 | 80 | 1.1 | 31.000 | 1055 | 9326 | 1055 | 9326 | 1065 | 65 | 1.87E-02 | GSS07 - 2A □□□ 112C22 MDSKA□□ 112-22 85 |
| 814 | 64 | 1.0 | 39.200 | 1222 | 9326 | 1222 | 9326 | 1175 | 51 | 1.85E-02 | GSS07 - 2A □□□ 112C22 MDSKA□□ 112-22 85 |
| 90 | 710 | 2.8 | 5.862 | 236 | 9326 | 202 | 9327 | 539 | 343 | 2.01E-02 | GSS07 - 2A □□□ 112C22 MDSKA□□ 112-22 140 |
| 125 | 512 | 2.6 | 8.125 | 329 | 9326 | 281 | 9327 | 685 | 248 | 1.93E-02 | GSS07 - 2A □□□ 112C22 MDSKA□□ 112-22 140 |
| 137 | 458 | 2.5 | 9.086 | 360 | 9326 | 308 | 9327 | 628 | 222 | 1.97E-02 | GSS07 - 2A □□□ 112C22 MDSKA□□ 112-22 140 |
| 155 | 416 | 2.4 | 10.000 | 406 | 9326 | 347 | 9327 | 797 | 201 | 1.89E-02 | GSS07 - 2A □□□ 112C22 MDSKA□□ 112-22 140 |
| 174 | 371 | 2.4 | 11.200 | 455 | 9326 | 389 | 9327 | 866 | 180 | 1.87E-02 | GSS07 - 2A □□□ 112C22 MDSKA□□ 112-22 140 |
| 191 | 330 | 2.2 | 12.594 | 500 | 9326 | 427 | 9327 | 799 | 160 | 1.91E-02 | GSS07 - 2A □□□ 112C22 MDSKA□□ 112-22 140 |
| 236 | 268 | 2.0 | 15.500 | 616 | 9326 | 526 | 9327 | 931 | 130 | 1.88E-02 | GSS07 - 2A □□□ 112C22 MDSKA□□ 112-22 140 |
| 265 | 240 | 1.9 | 17.360 | 690 | 9326 | 589 | 9327 | 1012 | 116 | 1.86E-02 | GSS07 - 2A □□□ 112C22 MDSKA□□ 112-22 140 |
| 292 | 203 | 1.5 | 20.517 | 643 | 9326 | 643 | 9327 | 764 | 98 | 1.94E-02 | GSS07 - 2A □□□ 112C22 MDSKA□□ 112-22 140 |
| 363 | 165 | 1.3 | 25.188 | 713 | 9326 | 713 | 9327 | 913 | 80 | 1.90E-02 | GSS07 - 2A □□□ 112C22 MDSKA□□ 112-22 140 |
| 448 | 134 | 1.2 | 31.000 | 796 | 9326 | 796 | 9327 | 1065 | 65 | 1.87E-02 | GSS07 - 2A □□□ 112C22 MDSKA□□ 112-22 140 |
| 563 | 106 | 1.1 | 39.200 | 893 | 9326 | 893 | 9327 | 1175 | 51 | 1.85E-02 | GSS07 - 2A □□□ 112C22 MDSKA□□ 112-22 140 |
| 196 | 31 | 3.8 | 126.531 | 452 | 9322 | 538 | 9323 | 1250 | 31 | 3.26E-04 | GSS07 - 3A □□□ 056C22 MDSKA□□ 056-22 140 |
| 220 | 28 | 3.7 | 142.857 | 505 | 9322 | 601 | 9323 | 1250 | 28 | 3.22E-04 | GSS07 - 3A □□□ 056C22 MDSKA□□ 056-22 140 |
| 239 | 25 | 3.7 | 155.000 | 550 | 9322 | 655 | 9323 | 1250 | 25 | 3.14E-04 | GSS07 - 3A □□□ 056C22 MDSKA□□ 056-22 140 |
| 268 | 23 | 3.5 | 175.000 | 615 | 9322 | 732 | 9323 | 1250 | 23 | 3.12E-04 | GSS07 - 3A □□□ 056C22 MDSKA□□ 056-22 140 |
| 310 | 20 | 3.2 | 201.746 | 708 | 9322 | 843 | 9323 | 1250 | 20 | 2.77E-04 | GSS07 - 3A □□□ 056C22 MDSKA□□ 056-22 140 |
| 347 | 17 | 3.0 | 227.778 | 791 | 9322 | 943 | 9323 | 1250 | 17 | 2.76E-04 | GSS07 - 3A □□□ 056C22 MDSKA□□ 056-22 140 |
| 378 | 16 | 2.8 | 247.139 | 861 | 9322 | 1025 | 9323 | 1250 | 16 | 2.73E-04 | GSS07 - 3A □□□ 056C22 MDSKA□□ 056-22 140 |
| 422 | 14 | 2.7 | 279.028 | 959 | 9322 | 1143 | 9323 | 1250 | 14 | 2.72E-04 | GSS07 - 3A □□□ 056C22 MDSKA□□ 056-22 140 |
| 493 | 12 | 1.9 | 321.673 | 1110 | 9322 | 1322 | 9323 | 1250 | 12 | 2.68E-04 | GSS07 - 3A □□□ 056C22 MDSKA□□ 056-22 140 |
| 547 | 11 | 1.9 | 363.179 | 1231 | 9322 | 1466 | 9323 | 1250 | 11 | 2.68E-04 | GSS07 - 3A □□□ 056C22 MDSKA□□ 056-22 140 |
| 601 | 10 | 1.7 | 394.245 | 1349 | 9322 | 1560 | 9323 | 1250 | 10 | 2.66E-04 | GSS07 - 3A □□□ 056C22 MDSKA□□ 056-22 140 |
| 665 | 8.9 | 1.7 | 445.116 | 1493 | 9322 | 1725 | 9323 | 1250 | 8.9 | 2.65E-04 | GSS07 - 3A □□□ 056C22 MDSKA□□ 056-22 140 |
| 735 | 8.1 | 1.5 | 490.403 | 1647 | 9322 | 1663 | 9323 | 1250 | 8.1 | 2.58E-04 | GSS07 - 3A □□□ 056C22 MDSKA□□ 056-22 140 |
| 818 | 7.1 | 1.4 | 553.681 | 1774 | 9322 | 1774 | 9323 | 1250 | 7.1 | 2.58E-04 | GSS07 - 3A □□□ 056C22 MDSKA□□ 056-22 140 |
| 943 | 6.2 | 1.3 | 634.639 | 1778 | 9322 | 1778 | 9323 | 1250 | 6.2 | 2.51E-04 | GSS07 - 3A □□□ 056C22 MDSKA□□ 056-22 140 |
| 1048 | 5.5 | 1.1 | 716.528 | 1767 | 9322 | 1767 | 9323 | 1250 | 5.5 | 2.51E-04 | GSS07 - 3A □□□ 056C22 MDSKA□□ 056-22 140 |
| 402 | 32 | 1.9 | 126.531 | 1170 | 9324 | 934 | 9324 | 1250 | 32 | 9.16E-04 | GSS07 - 3A □□□ 071C22 MDSKA□□ 071-22 140 |
| 449 | 28 | 1.8 | 142.857 | 1244 | 9324 | 1044 | 9324 | 1250 | 28 | 9.12E-04 | GSS07 - 3A □□□ 071C22 MDSKA□□ 071-22 140 |
| 489 | 26 | 1.8 | 155.000 | 1359 | 9324 | 1136 | 9324 | 1250 | 26 | 9.04E-04 | GSS07 - 3A □□□ 071C22 MDSKA□□ 071-22 140 |
| 548 | 23 | 1.7 | 175.000 | 1439 | 9324 | 1271 | 9324 | 1250 | 23 | 9.02E-04 | GSS07 - 3A □□□ 071C22 MDSKA□□ 071-22 140 |

Observe the notes for thermal dimensioning.

Selection tables - Helical-worm gearboxes

Naturally ventilated asynchronous geared servo motors

| M ₂ [Nm] | n ₂ trans [rpm] | c | i | M ₂ max short-time M ₂ Gr on geared motor at | | | | n ₂ therm gearbox c=1 n ₁ ≤ 1400 rpm | | J _{GM} referred to motor shaft [kgm ²] | Servo helical- worm geared motor Dimensions on Page 7-47 |
|------------------------|-------------------------------|-----|---------|---|-------------|----------------------------|-------------|---|-------|---|---|
| | | | | 8 kHz | | 16 kHz | | [Nm] | [rpm] | | |
| | | | | M ₂ max [Nm] | Type EVS | M ₂ max [Nm] | Type EVS | | | | |
| 632 | 20 | 1.6 | 201.746 | 1516 | 9324 | 1464 | 9324 | 1250 | 20 | 8.67E-04 | GSS07 - 3A □□□ 071C22 MDSKA□□ 071-22 140 |
| 707 | 18 | 1.5 | 227.778 | 1610 | 9324 | 1610 | 9324 | 1250 | 18 | 8.66E-04 | GSS07 - 3A □□□ 071C22 MDSKA□□ 071-22 140 |
| 770 | 16 | 1.4 | 247.139 | 1606 | 9324 | 1606 | 9324 | 1250 | 16 | 8.63E-04 | GSS07 - 3A □□□ 071C22 MDSKA□□ 071-22 140 |
| 859 | 15 | 1.3 | 279.028 | 1719 | 9324 | 1719 | 9324 | 1250 | 15 | 8.62E-04 | GSS07 - 3A □□□ 071C22 MDSKA□□ 071-22 140 |
| 660 | 16 | 1.9 | 126.531 | 1503 | 9323 | 1875 | 9324 | 1250 | 16 | 2.01E-03 | GSS07 - 3A □□□ 080C22 MDSKA□□ 080-22 70 |
| 738 | 14 | 1.7 | 142.857 | 1678 | 9323 | 1875 | 9324 | 1250 | 14 | 2.00E-03 | GSS07 - 3A □□□ 080C22 MDSKA□□ 080-22 70 |
| 805 | 13 | 1.5 | 155.000 | 1827 | 9323 | 1875 | 9324 | 1250 | 13 | 1.99E-03 | GSS07 - 3A □□□ 080C22 MDSKA□□ 080-22 70 |
| 898 | 11 | 1.4 | 175.000 | 1875 | 9323 | 1875 | 9324 | 1250 | 11 | 1.99E-03 | GSS07 - 3A □□□ 080C22 MDSKA□□ 080-22 70 |
| 545 | 32 | 1.4 | 126.531 | 1170 | 9324 | 1170 | 9325 | 1250 | 28 | 2.01E-03 | GSS07 - 3A □□□ 080C22 MDSKA□□ 080-22 140 |
| 610 | 29 | 1.4 | 142.857 | 1244 | 9324 | 1244 | 9325 | 1250 | 25 | 2.00E-03 | GSS07 - 3A □□□ 080C22 MDSKA□□ 080-22 140 |
| 664 | 26 | 1.4 | 155.000 | 1359 | 9324 | 1359 | 9325 | 1250 | 23 | 1.99E-03 | GSS07 - 3A □□□ 080C22 MDSKA□□ 080-22 140 |
| 743 | 23 | 1.3 | 175.000 | 1439 | 9324 | 1439 | 9325 | 1250 | 21 | 1.99E-03 | GSS07 - 3A □□□ 080C22 MDSKA□□ 080-22 140 |

Observe the notes for thermal dimensioning.

Selection tables - Helical-worm gearboxes

Forced ventilated asynchronous geared servo motors



| M ₂ [Nm] | n ₂ trans [rpm] | c | i | M ₂ max short-time M ₂ Gr on geared motor at | | | | n ₂ therm gearbox c=1 n ₁ ≤ 1400 rpm | | J _{GM} referred to motor shaft [kgm ²] | Servo helical- worm geared motor Dimensions on Page 7-47 |
|------------------------|-------------------------------|-----|--------|---|-------------|----------------------------|-------------|---|-------|---|---|
| | | | | 8 kHz | | 16 kHz | | [Nm] | [rpm] | | |
| | | | | M ₂ max [Nm] | Type EVS | M ₂ max [Nm] | Type EVS | | | | |
| 31 | 605 | 1.7 | 5.639 | 65 | 9324 | 82 | 9325 | 149 | 605 | 9.42E-04 | GSS04 - 2A □□□ 071C22 MDFKA□□ 071-22 120 |
| 43 | 441 | 2.0 | 7.733 | 90 | 9324 | 131 | 9325 | 158 | 441 | 8.95E-04 | GSS04 - 2A □□□ 071C22 MDFKA□□ 071-22 120 |
| 50 | 377 | 2.1 | 9.042 | 104 | 9324 | 153 | 9325 | 154 | 377 | 9.11E-04 | GSS04 - 2A □□□ 071C22 MDFKA□□ 071-22 120 |
| 55 | 345 | 2.1 | 9.897 | 116 | 9324 | 169 | 9325 | 161 | 345 | 8.73E-04 | GSS04 - 2A □□□ 071C22 MDFKA□□ 071-22 120 |
| 61 | 315 | 2.0 | 10.827 | 127 | 9324 | 185 | 9325 | 161 | 315 | 8.67E-04 | GSS04 - 2A □□□ 071C22 MDFKA□□ 071-22 120 |
| 69 | 275 | 1.8 | 12.400 | 143 | 9324 | 191 | 9325 | 170 | 275 | 8.79E-04 | GSS04 - 2A □□□ 071C22 MDFKA□□ 071-22 120 |
| 78 | 247 | 1.9 | 13.810 | 163 | 9324 | 225 | 9325 | 163 | 247 | 8.55E-04 | GSS04 - 2A □□□ 071C22 MDFKA□□ 071-22 120 |
| 88 | 215 | 1.5 | 15.869 | 183 | 9324 | 206 | 9325 | 180 | 215 | 8.63E-04 | GSS04 - 2A □□□ 071C22 MDFKA□□ 071-22 120 |
| 96 | 196 | 1.5 | 17.360 | 200 | 9324 | 212 | 9325 | 180 | 196 | 8.58E-04 | GSS04 - 2A □□□ 071C22 MDFKA□□ 071-22 120 |
| 103 | 167 | 1.1 | 20.417 | 167 | 9324 | 167 | 9325 | 153 | 167 | 8.97E-04 | GSS04 - 2A □□□ 071C22 MDFKA□□ 071-22 120 |
| 123 | 154 | 1.2 | 22.143 | 230 | 9324 | 230 | 9325 | 180 | 154 | 8.50E-04 | GSS04 - 2A □□□ 071C22 MDFKA□□ 071-22 120 |
| 150 | 126 | 1.1 | 27.125 | 245 | 9324 | 245 | 9325 | 180 | 126 | 8.44E-04 | GSS04 - 2A □□□ 071C22 MDFKA□□ 071-22 120 |
| 31 | 605 | 3.7 | 5.639 | 66 | 9324 | 96 | 9325 | 219 | 605 | 1.11E-03 | GSS05 - 2A □□□ 071C22 MDFKA□□ 071-22 120 |
| 43 | 441 | 3.4 | 7.733 | 91 | 9324 | 133 | 9325 | 267 | 441 | 9.96E-04 | GSS05 - 2A □□□ 071C22 MDFKA□□ 071-22 120 |
| 48 | 377 | 2.6 | 9.042 | 101 | 9324 | 148 | 9325 | 251 | 377 | 1.03E-03 | GSS05 - 2A □□□ 071C22 MDFKA□□ 071-22 120 |
| 55 | 345 | 3.2 | 9.897 | 117 | 9324 | 171 | 9325 | 271 | 345 | 9.40E-04 | GSS05 - 2A □□□ 071C22 MDFKA□□ 071-22 120 |
| 61 | 315 | 3.1 | 10.827 | 128 | 9324 | 187 | 9325 | 272 | 315 | 9.24E-04 | GSS05 - 2A □□□ 071C22 MDFKA□□ 071-22 120 |
| 67 | 275 | 2.7 | 12.400 | 141 | 9324 | 207 | 9325 | 279 | 275 | 9.53E-04 | GSS05 - 2A □□□ 071C22 MDFKA□□ 071-22 120 |
| 78 | 247 | 2.9 | 13.810 | 164 | 9324 | 239 | 9325 | 275 | 247 | 8.94E-04 | GSS05 - 2A □□□ 071C22 MDFKA□□ 071-22 120 |
| 87 | 215 | 2.5 | 15.869 | 182 | 9324 | 266 | 9325 | 301 | 215 | 9.14E-04 | GSS05 - 2A □□□ 071C22 MDFKA□□ 071-22 120 |
| 95 | 196 | 2.4 | 17.360 | 199 | 9324 | 291 | 9325 | 311 | 196 | 9.02E-04 | GSS05 - 2A □□□ 071C22 MDFKA□□ 071-22 120 |
| 99 | 167 | 1.4 | 20.417 | 205 | 9324 | 211 | 9325 | 253 | 167 | 9.90E-04 | GSS05 - 2A □□□ 071C22 MDFKA□□ 071-22 120 |
| 122 | 154 | 2.0 | 22.143 | 255 | 9324 | 373 | 9325 | 337 | 154 | 8.80E-04 | GSS05 - 2A □□□ 071C22 MDFKA□□ 071-22 120 |
| 125 | 138 | 1.6 | 24.800 | 260 | 9324 | 298 | 9325 | 280 | 138 | 9.36E-04 | GSS05 - 2A □□□ 071C22 MDFKA□□ 071-22 120 |
| 150 | 126 | 1.8 | 27.125 | 313 | 9324 | 400 | 9325 | 360 | 126 | 8.68E-04 | GSS05 - 2A □□□ 071C22 MDFKA□□ 071-22 120 |
| 162 | 107 | 1.3 | 31.738 | 329 | 9324 | 329 | 9325 | 306 | 107 | 9.03E-04 | GSS05 - 2A □□□ 071C22 MDFKA□□ 071-22 120 |
| 196 | 97 | 1.5 | 35.306 | 407 | 9324 | 437 | 9325 | 360 | 97 | 8.53E-04 | GSS05 - 2A □□□ 071C22 MDFKA□□ 071-22 120 |
| 198 | 87 | 1.2 | 39.200 | 347 | 9324 | 347 | 9325 | 323 | 87 | 8.91E-04 | GSS05 - 2A □□□ 071C22 MDFKA□□ 071-22 120 |
| 245 | 78 | 1.3 | 43.917 | 470 | 9324 | 470 | 9325 | 360 | 78 | 8.47E-04 | GSS05 - 2A □□□ 071C22 MDFKA□□ 071-22 120 |
| 60 | 290 | 3.2 | 5.639 | 152 | 9324 | 110 | 9324 | 223 | 290 | 2.20E-03 | GSS05 - 2A □□□ 080C22 MDFKA□□ 080-22 60 |
| 83 | 211 | 2.9 | 7.733 | 209 | 9324 | 152 | 9324 | 267 | 211 | 2.09E-03 | GSS05 - 2A □□□ 080C22 MDFKA□□ 080-22 60 |
| 94 | 181 | 2.5 | 9.042 | 237 | 9324 | 172 | 9324 | 251 | 181 | 2.12E-03 | GSS05 - 2A □□□ 080C22 MDFKA□□ 080-22 60 |
| 107 | 165 | 2.5 | 9.897 | 268 | 9324 | 195 | 9324 | 271 | 165 | 2.03E-03 | GSS05 - 2A □□□ 080C22 MDFKA□□ 080-22 60 |
| 117 | 151 | 2.3 | 10.827 | 293 | 9324 | 213 | 9324 | 272 | 151 | 2.01E-03 | GSS05 - 2A □□□ 080C22 MDFKA□□ 080-22 60 |

Observe the notes for thermal dimensioning.

Selection tables - Helical-worm gearboxes

Forced ventilated asynchronous geared servo motors

| M ₂ [Nm] | n ₂ trans [rpm] | c | i | M ₂ max short-time M ₂ Gr on geared motor at | | | | n ₂ therm gearbox c=1 n ₁ ≤ 1400 rpm | | J _G M referred to motor shaft [kgm ²] | Servo helical- worm geared motor Dimensions on Page 7-47 |
|------------------------|-------------------------------|-----|--------|---|-------------|----------------------------|-------------|---|-------|--|---|
| | | | | 8 kHz | | 16 kHz | | [Nm] | [rpm] | | |
| | | | | M ₂ max [Nm] | Type EVS | M ₂ max [Nm] | Type EVS | | | | |
| 130 | 132 | 2.0 | 12.400 | 325 | 9324 | 236 | 9324 | 279 | 132 | 2.04E-03 | GSS05 - 2A □□□ 080C22 MDFKA□□ 080-22 60 |
| 151 | 118 | 1.8 | 13.810 | 375 | 9324 | 272 | 9324 | 275 | 118 | 1.98E-03 | GSS05 - 2A □□□ 080C22 MDFKA□□ 080-22 60 |
| 168 | 103 | 1.7 | 15.869 | 417 | 9324 | 303 | 9324 | 301 | 103 | 2.00E-03 | GSS05 - 2A □□□ 080C22 MDFKA□□ 080-22 60 |
| 184 | 94 | 1.6 | 17.360 | 438 | 9324 | 331 | 9324 | 311 | 94 | 1.99E-03 | GSS05 - 2A □□□ 080C22 MDFKA□□ 080-22 60 |
| 196 | 80 | 1.2 | 20.417 | 354 | 9324 | 352 | 9324 | 253 | 80 | 2.08E-03 | GSS05 - 2A □□□ 080C22 MDFKA□□ 080-22 60 |
| 235 | 74 | 1.3 | 22.143 | 475 | 9324 | 423 | 9324 | 337 | 74 | 1.97E-03 | GSS05 - 2A □□□ 080C22 MDFKA□□ 080-22 60 |
| 245 | 66 | 1.1 | 24.800 | 392 | 9324 | 392 | 9324 | 280 | 66 | 2.03E-03 | GSS05 - 2A □□□ 080C22 MDFKA□□ 080-22 60 |
| 288 | 60 | 1.2 | 27.125 | 508 | 9324 | 508 | 9324 | 360 | 60 | 1.96E-03 | GSS05 - 2A □□□ 080C22 MDFKA□□ 080-22 60 |
| 54 | 613 | 2.2 | 5.639 | 148 | 9325 | 107 | 9325 | 223 | 613 | 2.20E-03 | GSS05 - 2A □□□ 080C22 MDFKA□□ 080-22 120 |
| 75 | 447 | 2.0 | 7.733 | 205 | 9325 | 148 | 9325 | 267 | 447 | 2.09E-03 | GSS05 - 2A □□□ 080C22 MDFKA□□ 080-22 120 |
| 84 | 382 | 1.5 | 9.042 | 190 | 9325 | 165 | 9325 | 251 | 382 | 2.12E-03 | GSS05 - 2A □□□ 080C22 MDFKA□□ 080-22 120 |
| 96 | 349 | 1.8 | 9.897 | 263 | 9325 | 190 | 9325 | 271 | 349 | 2.03E-03 | GSS05 - 2A □□□ 080C22 MDFKA□□ 080-22 120 |
| 105 | 319 | 1.8 | 10.827 | 286 | 9325 | 208 | 9325 | 272 | 319 | 2.01E-03 | GSS05 - 2A □□□ 080C22 MDFKA□□ 080-22 120 |
| 117 | 279 | 1.6 | 12.400 | 280 | 9325 | 230 | 9325 | 279 | 279 | 2.04E-03 | GSS05 - 2A □□□ 080C22 MDFKA□□ 080-22 120 |
| 135 | 250 | 1.7 | 13.810 | 340 | 9325 | 267 | 9325 | 275 | 250 | 1.98E-03 | GSS05 - 2A □□□ 080C22 MDFKA□□ 080-22 120 |
| 150 | 218 | 1.5 | 15.869 | 333 | 9325 | 297 | 9325 | 301 | 218 | 2.00E-03 | GSS05 - 2A □□□ 080C22 MDFKA□□ 080-22 120 |
| 165 | 199 | 1.4 | 17.360 | 344 | 9325 | 325 | 9325 | 311 | 199 | 1.99E-03 | GSS05 - 2A □□□ 080C22 MDFKA□□ 080-22 120 |
| 211 | 156 | 1.2 | 22.143 | 374 | 9325 | 374 | 9325 | 337 | 156 | 1.97E-03 | GSS05 - 2A □□□ 080C22 MDFKA□□ 080-22 120 |
| 260 | 127 | 1.0 | 27.125 | 400 | 9325 | 400 | 9325 | 360 | 127 | 1.96E-03 | GSS05 - 2A □□□ 080C22 MDFKA□□ 080-22 120 |
| 57 | 333 | 4.8 | 10.238 | 122 | 9324 | 178 | 9325 | 397 | 333 | 1.11E-03 | GSS06 - 2A □□□ 071C22 MDFKA□□ 071-22 120 |
| 62 | 304 | 4.7 | 11.200 | 133 | 9324 | 195 | 9325 | 440 | 304 | 1.07E-03 | GSS06 - 2A □□□ 071C22 MDFKA□□ 071-22 120 |
| 80 | 239 | 4.4 | 14.286 | 170 | 9324 | 249 | 9325 | 513 | 239 | 9.93E-04 | GSS06 - 2A □□□ 071C22 MDFKA□□ 071-22 120 |
| 87 | 215 | 3.7 | 15.869 | 186 | 9324 | 271 | 9325 | 597 | 215 | 1.06E-03 | GSS06 - 2A □□□ 071C22 MDFKA□□ 071-22 120 |
| 95 | 196 | 3.6 | 17.360 | 203 | 9324 | 297 | 9325 | 624 | 196 | 1.03E-03 | GSS06 - 2A □□□ 071C22 MDFKA□□ 071-22 120 |
| 122 | 154 | 3.4 | 22.143 | 258 | 9324 | 378 | 9325 | 673 | 154 | 9.69E-04 | GSS06 - 2A □□□ 071C22 MDFKA□□ 071-22 120 |
| 149 | 126 | 3.2 | 27.125 | 316 | 9324 | 462 | 9325 | 718 | 126 | 9.34E-04 | GSS06 - 2A □□□ 071C22 MDFKA□□ 071-22 120 |
| 166 | 107 | 2.2 | 31.738 | 347 | 9324 | 507 | 9325 | 609 | 107 | 1.04E-03 | GSS06 - 2A □□□ 071C22 MDFKA□□ 071-22 120 |
| 195 | 97 | 2.9 | 35.306 | 410 | 9324 | 600 | 9325 | 720 | 97 | 8.96E-04 | GSS06 - 2A □□□ 071C22 MDFKA□□ 071-22 120 |
| 203 | 87 | 2.0 | 39.200 | 424 | 9324 | 619 | 9325 | 637 | 87 | 9.93E-04 | GSS06 - 2A □□□ 071C22 MDFKA□□ 071-22 120 |
| 242 | 78 | 2.5 | 43.917 | 509 | 9324 | 743 | 9325 | 720 | 78 | 8.77E-04 | GSS06 - 2A □□□ 071C22 MDFKA□□ 071-22 120 |
| 258 | 68 | 1.9 | 50.000 | 539 | 9324 | 743 | 9325 | 693 | 68 | 9.46E-04 | GSS06 - 2A □□□ 071C22 MDFKA□□ 071-22 120 |
| 282 | 63 | 1.9 | 54.250 | 589 | 9324 | 808 | 9325 | 720 | 63 | 9.25E-04 | GSS06 - 2A □□□ 071C22 MDFKA□□ 071-22 120 |
| 316 | 56 | 1.7 | 61.250 | 658 | 9324 | 821 | 9325 | 720 | 56 | 9.19E-04 | GSS06 - 2A □□□ 071C22 MDFKA□□ 071-22 120 |
| 366 | 48 | 1.6 | 70.611 | 761 | 9324 | 886 | 9325 | 720 | 48 | 8.91E-04 | GSS06 - 2A □□□ 071C22 MDFKA□□ 071-22 120 |

Observe the notes for thermal dimensioning.

Selection tables - Helical-worm gearboxes

Forced ventilated asynchronous geared servo motors



| M ₂ [Nm] | n ₂ trans [rpm] | c | i | M ₂ max short-time M ₂ Gr on geared motor at | | | | n ₂ therm gearbox c=1 n ₁ ≤ 1400 rpm | | J _{GM} referred to motor shaft [kgm ²] | Servo helical- worm geared motor Dimensions on Page 7-47 |
|------------------------|-------------------------------|-----|---------|---|-------------|----------------------------|-------------|---|-------|---|---|
| | | | | 8 kHz | | 16 kHz | | [Nm] | [rpm] | | |
| | | | | M ₂ max [Nm] | Type EVS | M ₂ max [Nm] | Type EVS | | | | |
| 410 | 43 | 1.5 | 79.722 | 852 | 9324 | 898 | 9325 | 720 | 43 | 8.87E-04 | GSS06 - 2A □□□ 071C22 MDFKA□□ 071-22 120 |
| 455 | 39 | 1.4 | 87.833 | 943 | 9324 | 956 | 9325 | 720 | 39 | 8.74E-04 | GSS06 - 2A □□□ 071C22 MDFKA□□ 071-22 120 |
| 509 | 34 | 1.3 | 99.167 | 968 | 9324 | 968 | 9325 | 720 | 34 | 8.72E-04 | GSS06 - 2A □□□ 071C22 MDFKA□□ 071-22 120 |
| 587 | 30 | 1.2 | 113.667 | 1045 | 9324 | 1045 | 9325 | 720 | 30 | 8.58E-04 | GSS06 - 2A □□□ 071C22 MDFKA□□ 071-22 120 |
| 656 | 27 | 1.1 | 128.333 | 1058 | 9324 | 1058 | 9325 | 720 | 27 | 8.56E-04 | GSS06 - 2A □□□ 071C22 MDFKA□□ 071-22 120 |
| 709 | 25 | 1.0 | 137.950 | 1080 | 9324 | 1080 | 9325 | 720 | 25 | 8.50E-04 | GSS06 - 2A □□□ 071C22 MDFKA□□ 071-22 120 |
| 61 | 280 | 4.9 | 5.833 | 158 | 9324 | 115 | 9324 | 356 | 280 | 2.62E-03 | GSS06 - 2A □□□ 080C22 MDFKA□□ 080-22 60 |
| 85 | 204 | 4.4 | 8.000 | 217 | 9324 | 158 | 9324 | 489 | 204 | 2.34E-03 | GSS06 - 2A □□□ 080C22 MDFKA□□ 080-22 60 |
| 95 | 181 | 3.8 | 9.042 | 241 | 9324 | 175 | 9324 | 417 | 181 | 2.47E-03 | GSS06 - 2A □□□ 080C22 MDFKA□□ 080-22 60 |
| 109 | 160 | 4.5 | 10.238 | 279 | 9324 | 203 | 9324 | 522 | 160 | 2.20E-03 | GSS06 - 2A □□□ 080C22 MDFKA□□ 080-22 60 |
| 119 | 146 | 4.2 | 11.200 | 305 | 9324 | 222 | 9324 | 524 | 146 | 2.16E-03 | GSS06 - 2A □□□ 080C22 MDFKA□□ 080-22 60 |
| 130 | 132 | 3.4 | 12.400 | 329 | 9324 | 239 | 9324 | 523 | 132 | 2.27E-03 | GSS06 - 2A □□□ 080C22 MDFKA□□ 080-22 60 |
| 154 | 114 | 3.3 | 14.286 | 390 | 9324 | 283 | 9324 | 528 | 114 | 2.08E-03 | GSS06 - 2A □□□ 080C22 MDFKA□□ 080-22 60 |
| 166 | 103 | 3.2 | 15.869 | 420 | 9324 | 305 | 9324 | 605 | 103 | 2.15E-03 | GSS06 - 2A □□□ 080C22 MDFKA□□ 080-22 60 |
| 182 | 94 | 3.1 | 17.360 | 460 | 9324 | 334 | 9324 | 624 | 94 | 2.12E-03 | GSS06 - 2A □□□ 080C22 MDFKA□□ 080-22 60 |
| 201 | 80 | 2.1 | 20.417 | 502 | 9324 | 365 | 9324 | 488 | 80 | 2.34E-03 | GSS06 - 2A □□□ 080C22 MDFKA□□ 080-22 60 |
| 232 | 74 | 2.7 | 22.143 | 584 | 9324 | 424 | 9324 | 673 | 74 | 2.06E-03 | GSS06 - 2A □□□ 080C22 MDFKA□□ 080-22 60 |
| 246 | 66 | 2.0 | 24.800 | 614 | 9324 | 446 | 9324 | 561 | 66 | 2.23E-03 | GSS06 - 2A □□□ 080C22 MDFKA□□ 080-22 60 |
| 285 | 60 | 2.3 | 27.125 | 712 | 9324 | 517 | 9324 | 718 | 60 | 2.02E-03 | GSS06 - 2A □□□ 080C22 MDFKA□□ 080-22 60 |
| 314 | 52 | 1.8 | 31.738 | 782 | 9324 | 568 | 9324 | 609 | 52 | 2.13E-03 | GSS06 - 2A □□□ 080C22 MDFKA□□ 080-22 60 |
| 371 | 46 | 1.9 | 35.306 | 923 | 9324 | 671 | 9324 | 720 | 46 | 1.99E-03 | GSS06 - 2A □□□ 080C22 MDFKA□□ 080-22 60 |
| 385 | 42 | 1.5 | 39.200 | 898 | 9324 | 694 | 9324 | 637 | 42 | 2.08E-03 | GSS06 - 2A □□□ 080C22 MDFKA□□ 080-22 60 |
| 460 | 37 | 1.6 | 43.917 | 1080 | 9324 | 830 | 9324 | 720 | 37 | 1.97E-03 | GSS06 - 2A □□□ 080C22 MDFKA□□ 080-22 60 |
| 488 | 33 | 1.3 | 50.000 | 975 | 9324 | 879 | 9324 | 693 | 33 | 2.04E-03 | GSS06 - 2A □□□ 080C22 MDFKA□□ 080-22 60 |
| 534 | 30 | 1.3 | 54.250 | 1033 | 9324 | 959 | 9324 | 720 | 30 | 2.02E-03 | GSS06 - 2A □□□ 080C22 MDFKA□□ 080-22 60 |
| 596 | 27 | 1.2 | 61.250 | 1045 | 9324 | 1045 | 9324 | 720 | 27 | 2.01E-03 | GSS06 - 2A □□□ 080C22 MDFKA□□ 080-22 60 |
| 690 | 23 | 1.0 | 70.611 | 1080 | 9324 | 1080 | 9324 | 720 | 23 | 1.98E-03 | GSS06 - 2A □□□ 080C22 MDFKA□□ 080-22 60 |
| 56 | 592 | 2.6 | 5.833 | 154 | 9325 | 112 | 9325 | 356 | 592 | 2.62E-03 | GSS06 - 2A □□□ 080C22 MDFKA□□ 080-22 120 |
| 77 | 432 | 2.8 | 8.000 | 213 | 9325 | 154 | 9325 | 489 | 432 | 2.34E-03 | GSS06 - 2A □□□ 080C22 MDFKA□□ 080-22 120 |
| 86 | 382 | 2.5 | 9.042 | 238 | 9325 | 172 | 9325 | 417 | 382 | 2.47E-03 | GSS06 - 2A □□□ 080C22 MDFKA□□ 080-22 120 |
| 99 | 337 | 2.8 | 10.238 | 274 | 9325 | 198 | 9325 | 522 | 337 | 2.20E-03 | GSS06 - 2A □□□ 080C22 MDFKA□□ 080-22 120 |
| 109 | 308 | 2.7 | 11.200 | 300 | 9325 | 217 | 9325 | 524 | 308 | 2.16E-03 | GSS06 - 2A □□□ 080C22 MDFKA□□ 080-22 120 |
| 119 | 279 | 2.3 | 12.400 | 327 | 9325 | 236 | 9325 | 523 | 279 | 2.27E-03 | GSS06 - 2A □□□ 080C22 MDFKA□□ 080-22 120 |
| 139 | 242 | 2.5 | 14.286 | 384 | 9325 | 278 | 9325 | 528 | 242 | 2.08E-03 | GSS06 - 2A □□□ 080C22 MDFKA□□ 080-22 120 |

Observe the notes for thermal dimensioning.

Selection tables - Helical-worm gearboxes

Forced ventilated asynchronous geared servo motors

| M ₂ [Nm] | n ₂ trans [rpm] | c | i | M ₂ max short-time M ₂ Gr on geared motor at | | | | n ₂ therm gearbox c=1 n ₁ ≤ 1400 rpm | | J _{GM} referred to motor shaft [kgm ²] | Servo helical- worm geared motor Dimensions on Page 7-47 |
|------------------------|-------------------------------|-----|--------|---|-------------|----------------------------|-------------|---|-------|---|---|
| | | | | 8 kHz | | 16 kHz | | [Nm] | [rpm] | | |
| | | | | M ₂ max [Nm] | Type EVS | M ₂ max [Nm] | Type EVS | | | | |
| 152 | 218 | 2.2 | 15.869 | 418 | 9325 | 303 | 9325 | 605 | 218 | 2.15E-03 | GSS06 - 2A □□□ 080C22 MDFKA□□ 080-22 120 |
| 166 | 199 | 2.1 | 17.360 | 457 | 9325 | 331 | 9325 | 624 | 199 | 2.12E-03 | GSS06 - 2A □□□ 080C22 MDFKA□□ 080-22 120 |
| 182 | 169 | 1.4 | 20.417 | 394 | 9325 | 358 | 9325 | 488 | 169 | 2.34E-03 | GSS06 - 2A □□□ 080C22 MDFKA□□ 080-22 120 |
| 212 | 156 | 2.0 | 22.143 | 582 | 9325 | 421 | 9325 | 673 | 156 | 2.06E-03 | GSS06 - 2A □□□ 080C22 MDFKA□□ 080-22 120 |
| 225 | 139 | 1.4 | 24.800 | 461 | 9325 | 443 | 9325 | 561 | 139 | 2.23E-03 | GSS06 - 2A □□□ 080C22 MDFKA□□ 080-22 120 |
| 260 | 127 | 1.9 | 27.125 | 712 | 9325 | 515 | 9325 | 718 | 127 | 2.02E-03 | GSS06 - 2A □□□ 080C22 MDFKA□□ 080-22 120 |
| 287 | 109 | 1.3 | 31.738 | 550 | 9325 | 550 | 9325 | 609 | 109 | 2.13E-03 | GSS06 - 2A □□□ 080C22 MDFKA□□ 080-22 120 |
| 338 | 98 | 1.7 | 35.306 | 878 | 9325 | 669 | 9325 | 720 | 98 | 1.99E-03 | GSS06 - 2A □□□ 080C22 MDFKA□□ 080-22 120 |
| 351 | 88 | 1.2 | 39.200 | 625 | 9325 | 625 | 9325 | 637 | 88 | 2.08E-03 | GSS06 - 2A □□□ 080C22 MDFKA□□ 080-22 120 |
| 420 | 79 | 1.5 | 43.917 | 941 | 9325 | 830 | 9325 | 720 | 79 | 1.97E-03 | GSS06 - 2A □□□ 080C22 MDFKA□□ 080-22 120 |
| 447 | 69 | 1.1 | 50.000 | 743 | 9325 | 743 | 9325 | 693 | 69 | 2.04E-03 | GSS06 - 2A □□□ 080C22 MDFKA□□ 080-22 120 |
| 488 | 64 | 1.1 | 54.250 | 808 | 9325 | 808 | 9325 | 720 | 64 | 2.02E-03 | GSS06 - 2A □□□ 080C22 MDFKA□□ 080-22 120 |
| 547 | 56 | 1.0 | 61.250 | 821 | 9325 | 821 | 9325 | 720 | 56 | 2.01E-03 | GSS06 - 2A □□□ 080C22 MDFKA□□ 080-22 120 |
| 113 | 288 | 2.7 | 5.833 | 305 | 9325 | 224 | 9325 | 356 | 288 | 4.30E-03 | GSS06 - 2A □□□ 090C22 MDFKA□□ 090-22 60 |
| 155 | 210 | 2.4 | 8.000 | 420 | 9325 | 309 | 9325 | 489 | 210 | 4.02E-03 | GSS06 - 2A □□□ 090C22 MDFKA□□ 090-22 60 |
| 173 | 186 | 2.1 | 9.042 | 465 | 9325 | 341 | 9325 | 417 | 186 | 4.15E-03 | GSS06 - 2A □□□ 090C22 MDFKA□□ 090-22 60 |
| 199 | 164 | 2.5 | 10.238 | 539 | 9325 | 396 | 9325 | 522 | 164 | 3.88E-03 | GSS06 - 2A □□□ 090C22 MDFKA□□ 090-22 60 |
| 218 | 150 | 2.4 | 11.200 | 590 | 9325 | 433 | 9325 | 524 | 150 | 3.84E-03 | GSS06 - 2A □□□ 090C22 MDFKA□□ 090-22 60 |
| 237 | 135 | 1.9 | 12.400 | 636 | 9325 | 467 | 9325 | 523 | 135 | 3.95E-03 | GSS06 - 2A □□□ 090C22 MDFKA□□ 090-22 60 |
| 281 | 118 | 1.9 | 14.286 | 753 | 9325 | 553 | 9325 | 528 | 118 | 3.76E-03 | GSS06 - 2A □□□ 090C22 MDFKA□□ 090-22 60 |
| 303 | 106 | 1.8 | 15.869 | 812 | 9325 | 597 | 9325 | 605 | 106 | 3.83E-03 | GSS06 - 2A □□□ 090C22 MDFKA□□ 090-22 60 |
| 331 | 97 | 1.8 | 17.360 | 876 | 9325 | 652 | 9325 | 624 | 97 | 3.80E-03 | GSS06 - 2A □□□ 090C22 MDFKA□□ 090-22 60 |
| 364 | 82 | 1.2 | 20.417 | 644 | 9325 | 644 | 9325 | 488 | 82 | 4.02E-03 | GSS06 - 2A □□□ 090C22 MDFKA□□ 090-22 60 |
| 422 | 76 | 1.5 | 22.143 | 951 | 9325 | 828 | 9325 | 673 | 76 | 3.74E-03 | GSS06 - 2A □□□ 090C22 MDFKA□□ 090-22 60 |
| 445 | 68 | 1.1 | 24.800 | 758 | 9325 | 758 | 9325 | 561 | 68 | 3.91E-03 | GSS06 - 2A □□□ 090C22 MDFKA□□ 090-22 60 |
| 516 | 62 | 1.3 | 27.125 | 1014 | 9325 | 1011 | 9325 | 718 | 62 | 3.70E-03 | GSS06 - 2A □□□ 090C22 MDFKA□□ 090-22 60 |
| 568 | 53 | 1.0 | 31.738 | 858 | 9325 | 858 | 9325 | 609 | 53 | 3.81E-03 | GSS06 - 2A □□□ 090C22 MDFKA□□ 090-22 60 |
| 100 | 597 | 1.5 | 5.833 | 221 | 9326 | 221 | 9327 | 356 | 533 | 4.30E-03 | GSS06 - 2A □□□ 090C22 MDFKA□□ 090-22 120 |
| 137 | 435 | 1.6 | 8.000 | 333 | 9326 | 325 | 9327 | 489 | 389 | 4.02E-03 | GSS06 - 2A □□□ 090C22 MDFKA□□ 090-22 120 |
| 153 | 385 | 1.4 | 9.042 | 334 | 9326 | 334 | 9327 | 417 | 344 | 4.15E-03 | GSS06 - 2A □□□ 090C22 MDFKA□□ 090-22 120 |
| 177 | 340 | 1.6 | 10.238 | 424 | 9326 | 417 | 9327 | 522 | 304 | 3.88E-03 | GSS06 - 2A □□□ 090C22 MDFKA□□ 090-22 120 |
| 193 | 311 | 1.6 | 11.200 | 456 | 9326 | 456 | 9327 | 524 | 278 | 3.84E-03 | GSS06 - 2A □□□ 090C22 MDFKA□□ 090-22 120 |
| 211 | 281 | 1.3 | 12.400 | 419 | 9326 | 419 | 9327 | 523 | 251 | 3.95E-03 | GSS06 - 2A □□□ 090C22 MDFKA□□ 090-22 120 |
| 248 | 244 | 1.4 | 14.286 | 540 | 9326 | 540 | 9327 | 528 | 218 | 3.76E-03 | GSS06 - 2A □□□ 090C22 MDFKA□□ 090-22 120 |

Observe the notes for thermal dimensioning.

Selection tables - Helical-worm gearboxes

Forced ventilated asynchronous geared servo motors



| M ₂ [Nm] | n _{2 trans} [rpm] | c | i | M _{2 max} short-time M _{2 Gr} on geared motor at | | | | n _{2 therm} gearbox c=1 n ₁ ≤ 1400 rpm | | J _{GM} referred to motor shaft [kgm ²] | Servo helical- worm geared motor Dimensions on Page 7-47 |
|------------------------|-------------------------------|------------|----------------|---|-------------|----------------------------|-------------|---|-----------|---|---|
| | | | | 8 kHz | | 16 kHz | | [Nm] | [rpm] | | |
| | | | | M _{2 max} [Nm] | Type EVS | M _{2 max} [Nm] | Type EVS | | | | |
| 270 | 219 | 1.2 | 15.869 | 500 | 9326 | 500 | 9327 | 605 | 196 | 3.83E-03 | GSS06 - 2A □□□ 090C22 MDFKA□□ 090-22 120 |
| 296 | 200 | 1.2 | 17.360 | 533 | 9326 | 533 | 9327 | 624 | 179 | 3.80E-03 | GSS06 - 2A □□□ 090C22 MDFKA□□ 090-22 120 |
| 377 | 157 | 1.1 | 22.143 | 635 | 9326 | 635 | 9327 | 673 | 141 | 3.74E-03 | GSS06 - 2A □□□ 090C22 MDFKA□□ 090-22 120 |
| 462 | 128 | 1.1 | 27.125 | 734 | 9326 | 734 | 9327 | 718 | 115 | 3.70E-03 | GSS06 - 2A □□□ 090C22 MDFKA□□ 090-22 120 |
| 623 | 27 | 1.1 | 126.531 | 1047 | 9324 | 1047 | 9325 | 720 | 27 | 8.61E-04 | GSS06 - 3A □□□ 071C22 MDFKA□□ 071-22 120 |
| 695 | 24 | 1.0 | 142.857 | 1058 | 9324 | 1058 | 9325 | 720 | 24 | 8.60E-04 | GSS06 - 3A □□□ 071C22 MDFKA□□ 071-22 120 |
| 121 | 154 | 5.0 | 22.143 | 260 | 9324 | 380 | 9325 | 836 | 154 | 1.25E-03 | GSS07 - 2A □□□ 071C22 MDFKA□□ 071-22 120 |
| 193 | 97 | 4.5 | 35.306 | 414 | 9324 | 605 | 9325 | 1052 | 97 | 1.03E-03 | GSS07 - 2A □□□ 071C22 MDFKA□□ 071-22 120 |
| 237 | 79 | 4.2 | 43.271 | 507 | 9324 | 740 | 9325 | 1090 | 79 | 9.73E-04 | GSS07 - 2A □□□ 071C22 MDFKA□□ 071-22 120 |
| 260 | 68 | 2.9 | 50.000 | 549 | 9324 | 803 | 9325 | 1250 | 68 | 1.18E-03 | GSS07 - 2A □□□ 071C22 MDFKA□□ 071-22 120 |
| 370 | 48 | 2.7 | 70.611 | 779 | 9324 | 1139 | 9325 | 1250 | 48 | 1.01E-03 | GSS07 - 2A □□□ 071C22 MDFKA□□ 071-22 120 |
| 414 | 43 | 2.6 | 79.722 | 871 | 9324 | 1273 | 9325 | 1250 | 43 | 1.00E-03 | GSS07 - 2A □□□ 071C22 MDFKA□□ 071-22 120 |
| 454 | 39 | 2.5 | 86.542 | 953 | 9324 | 1393 | 9325 | 1250 | 39 | 9.64E-04 | GSS07 - 2A □□□ 071C22 MDFKA□□ 071-22 120 |
| 508 | 35 | 2.3 | 97.708 | 1065 | 9324 | 1556 | 9325 | 1250 | 35 | 9.56E-04 | GSS07 - 2A □□□ 071C22 MDFKA□□ 071-22 120 |
| 596 | 30 | 2.1 | 113.667 | 1245 | 9324 | 1819 | 9325 | 1250 | 30 | 9.13E-04 | GSS07 - 2A □□□ 071C22 MDFKA□□ 071-22 120 |
| 667 | 27 | 1.9 | 128.333 | 1390 | 9324 | 1875 | 9325 | 1250 | 27 | 9.09E-04 | GSS07 - 2A □□□ 071C22 MDFKA□□ 071-22 120 |
| 722 | 25 | 1.7 | 137.950 | 1502 | 9324 | 1875 | 9325 | 1250 | 25 | 8.91E-04 | GSS07 - 2A □□□ 071C22 MDFKA□□ 071-22 120 |
| 808 | 22 | 1.5 | 155.750 | 1679 | 9324 | 1875 | 9325 | 1250 | 22 | 8.88E-04 | GSS07 - 2A □□□ 071C22 MDFKA□□ 071-22 120 |
| 908 | 20 | 1.4 | 174.375 | 1875 | 9324 | 1875 | 9325 | 1250 | 20 | 8.69E-04 | GSS07 - 2A □□□ 071C22 MDFKA□□ 071-22 120 |
| 1017 | 17 | 1.2 | 196.875 | 1875 | 9324 | 1875 | 9325 | 1250 | 17 | 8.67E-04 | GSS07 - 2A □□□ 071C22 MDFKA□□ 071-22 120 |
| 152 | 114 | 5.2 | 14.286 | 393 | 9324 | 285 | 9324 | 832 | 114 | 2.40E-03 | GSS07 - 2A □□□ 080C22 MDFKA□□ 080-22 60 |
| 161 | 105 | 4.8 | 15.500 | 414 | 9324 | 301 | 9324 | 931 | 105 | 2.70E-03 | GSS07 - 2A □□□ 080C22 MDFKA□□ 080-22 60 |
| 180 | 94 | 4.7 | 17.360 | 464 | 9324 | 337 | 9324 | 1012 | 94 | 2.56E-03 | GSS07 - 2A □□□ 080C22 MDFKA□□ 080-22 60 |
| 230 | 74 | 4.4 | 22.143 | 590 | 9324 | 428 | 9324 | 1211 | 74 | 2.34E-03 | GSS07 - 2A □□□ 080C22 MDFKA□□ 080-22 60 |
| 282 | 60 | 4.2 | 27.125 | 721 | 9324 | 523 | 9324 | 1250 | 60 | 2.23E-03 | GSS07 - 2A □□□ 080C22 MDFKA□□ 080-22 60 |
| 309 | 53 | 2.9 | 31.000 | 780 | 9324 | 567 | 9324 | 1065 | 53 | 2.63E-03 | GSS07 - 2A □□□ 080C22 MDFKA□□ 080-22 60 |
| 369 | 46 | 3.3 | 35.306 | 935 | 9324 | 679 | 9324 | 1250 | 46 | 2.12E-03 | GSS07 - 2A □□□ 080C22 MDFKA□□ 080-22 60 |
| 388 | 42 | 2.7 | 39.200 | 975 | 9324 | 709 | 9324 | 1175 | 42 | 2.46E-03 | GSS07 - 2A □□□ 080C22 MDFKA□□ 080-22 60 |
| 454 | 38 | 2.7 | 43.271 | 1141 | 9324 | 829 | 9324 | 1250 | 38 | 2.06E-03 | GSS07 - 2A □□□ 080C22 MDFKA□□ 080-22 60 |
| 495 | 33 | 2.4 | 50.000 | 1240 | 9324 | 901 | 9324 | 1250 | 33 | 2.27E-03 | GSS07 - 2A □□□ 080C22 MDFKA□□ 080-22 60 |
| 541 | 30 | 2.3 | 54.250 | 1354 | 9324 | 984 | 9324 | 1250 | 30 | 2.21E-03 | GSS07 - 2A □□□ 080C22 MDFKA□□ 080-22 60 |
| 606 | 27 | 2.0 | 61.250 | 1513 | 9324 | 1099 | 9324 | 1250 | 27 | 2.19E-03 | GSS07 - 2A □□□ 080C22 MDFKA□□ 080-22 60 |
| 703 | 23 | 1.8 | 70.611 | 1749 | 9324 | 1270 | 9324 | 1250 | 23 | 2.10E-03 | GSS07 - 2A □□□ 080C22 MDFKA□□ 080-22 60 |
| 787 | 21 | 1.6 | 79.722 | 1875 | 9324 | 1420 | 9324 | 1250 | 21 | 2.09E-03 | GSS07 - 2A □□□ 080C22 MDFKA□□ 080-22 60 |

Observe the notes for thermal dimensioning.

Selection tables - Helical-worm gearboxes

Forced ventilated asynchronous geared servo motors

| M ₂ [Nm] | n ₂ trans [rpm] | c | i | M ₂ max short-time M ₂ Gr on geared motor at | | | | n ₂ therm gearbox c=1 n ₁ ≤ 1400 rpm | | J _{GM} referred to motor shaft [kgm ²] | Servo helical- worm geared motor Dimensions on Page 7-47 |
|------------------------|-------------------------------|-----|---------|---|-------------|----------------------------|-------------|---|-------|---|---|
| | | | | 8 kHz | | 16 kHz | | [Nm] | [rpm] | | |
| | | | | M ₂ max [Nm] | Type EVS | M ₂ max [Nm] | Type EVS | | | | |
| 858 | 19 | 1.5 | 86.542 | 1875 | 9324 | 1545 | 9324 | 1250 | 19 | 2.05E-03 | GSS07 - 2A □□□ 080C22 MDFKA□□ 080-22 60 |
| 961 | 17 | 1.3 | 97.708 | 1875 | 9324 | 1727 | 9324 | 1250 | 17 | 2.05E-03 | GSS07 - 2A □□□ 080C22 MDFKA□□ 080-22 60 |
| 1119 | 14 | 1.1 | 113.667 | 1875 | 9324 | 1875 | 9324 | 1250 | 14 | 2.00E-03 | GSS07 - 2A □□□ 080C22 MDFKA□□ 080-22 60 |
| 96 | 346 | 4.2 | 10.000 | 271 | 9325 | 196 | 9325 | 746 | 346 | 2.83E-03 | GSS07 - 2A □□□ 080C22 MDFKA□□ 080-22 120 |
| 108 | 308 | 4.1 | 11.200 | 304 | 9325 | 220 | 9325 | 775 | 308 | 2.67E-03 | GSS07 - 2A □□□ 080C22 MDFKA□□ 080-22 120 |
| 139 | 242 | 3.8 | 14.286 | 388 | 9325 | 281 | 9325 | 832 | 242 | 2.40E-03 | GSS07 - 2A □□□ 080C22 MDFKA□□ 080-22 120 |
| 148 | 223 | 3.3 | 15.500 | 411 | 9325 | 297 | 9325 | 931 | 223 | 2.70E-03 | GSS07 - 2A □□□ 080C22 MDFKA□□ 080-22 120 |
| 166 | 199 | 3.1 | 17.360 | 460 | 9325 | 333 | 9325 | 1012 | 199 | 2.56E-03 | GSS07 - 2A □□□ 080C22 MDFKA□□ 080-22 120 |
| 212 | 156 | 2.9 | 22.143 | 587 | 9325 | 425 | 9325 | 1211 | 156 | 2.34E-03 | GSS07 - 2A □□□ 080C22 MDFKA□□ 080-22 120 |
| 260 | 127 | 2.8 | 27.125 | 718 | 9325 | 520 | 9325 | 1250 | 127 | 2.23E-03 | GSS07 - 2A □□□ 080C22 MDFKA□□ 080-22 120 |
| 282 | 111 | 2.0 | 31.000 | 774 | 9325 | 560 | 9325 | 1065 | 111 | 2.63E-03 | GSS07 - 2A □□□ 080C22 MDFKA□□ 080-22 120 |
| 338 | 98 | 2.6 | 35.306 | 934 | 9325 | 676 | 9325 | 1250 | 98 | 2.12E-03 | GSS07 - 2A □□□ 080C22 MDFKA□□ 080-22 120 |
| 355 | 88 | 1.8 | 39.200 | 971 | 9325 | 703 | 9325 | 1175 | 88 | 2.46E-03 | GSS07 - 2A □□□ 080C22 MDFKA□□ 080-22 120 |
| 414 | 80 | 2.5 | 43.271 | 1142 | 9325 | 826 | 9325 | 1250 | 80 | 2.06E-03 | GSS07 - 2A □□□ 080C22 MDFKA□□ 080-22 120 |
| 452 | 69 | 1.7 | 50.000 | 1159 | 9325 | 895 | 9325 | 1250 | 69 | 2.27E-03 | GSS07 - 2A □□□ 080C22 MDFKA□□ 080-22 120 |
| 495 | 64 | 1.7 | 54.250 | 1264 | 9325 | 980 | 9325 | 1250 | 64 | 2.21E-03 | GSS07 - 2A □□□ 080C22 MDFKA□□ 080-22 120 |
| 554 | 56 | 1.6 | 61.250 | 1344 | 9325 | 1095 | 9325 | 1250 | 56 | 2.19E-03 | GSS07 - 2A □□□ 080C22 MDFKA□□ 080-22 120 |
| 643 | 49 | 1.6 | 70.611 | 1537 | 9325 | 1271 | 9325 | 1250 | 49 | 2.10E-03 | GSS07 - 2A □□□ 080C22 MDFKA□□ 080-22 120 |
| 719 | 43 | 1.5 | 79.722 | 1628 | 9325 | 1421 | 9325 | 1250 | 43 | 2.09E-03 | GSS07 - 2A □□□ 080C22 MDFKA□□ 080-22 120 |
| 788 | 40 | 1.5 | 86.542 | 1755 | 9325 | 1555 | 9325 | 1250 | 40 | 2.05E-03 | GSS07 - 2A □□□ 080C22 MDFKA□□ 080-22 120 |
| 881 | 35 | 1.3 | 97.708 | 1780 | 9325 | 1737 | 9325 | 1250 | 35 | 2.05E-03 | GSS07 - 2A □□□ 080C22 MDFKA□□ 080-22 120 |
| 1032 | 30 | 1.2 | 113.667 | 1875 | 9325 | 1875 | 9325 | 1250 | 30 | 2.00E-03 | GSS07 - 2A □□□ 080C22 MDFKA□□ 080-22 120 |
| 1154 | 27 | 1.1 | 128.333 | 1875 | 9325 | 1875 | 9325 | 1250 | 27 | 2.00E-03 | GSS07 - 2A □□□ 080C22 MDFKA□□ 080-22 120 |
| 1247 | 25 | 1.0 | 137.950 | 1875 | 9325 | 1875 | 9325 | 1250 | 25 | 1.98E-03 | GSS07 - 2A □□□ 080C22 MDFKA□□ 080-22 120 |
| 113 | 287 | 4.0 | 5.862 | 310 | 9325 | 228 | 9325 | 539 | 287 | 5.74E-03 | GSS07 - 2A □□□ 090C22 MDFKA□□ 090-22 60 |
| 157 | 207 | 3.7 | 8.125 | 431 | 9325 | 316 | 9325 | 685 | 207 | 4.88E-03 | GSS07 - 2A □□□ 090C22 MDFKA□□ 090-22 60 |
| 173 | 185 | 3.1 | 9.086 | 470 | 9325 | 345 | 9325 | 628 | 185 | 5.34E-03 | GSS07 - 2A □□□ 090C22 MDFKA□□ 090-22 60 |
| 194 | 168 | 3.5 | 10.000 | 531 | 9325 | 390 | 9325 | 797 | 168 | 4.51E-03 | GSS07 - 2A □□□ 090C22 MDFKA□□ 090-22 60 |
| 218 | 150 | 3.4 | 11.200 | 595 | 9325 | 437 | 9325 | 866 | 150 | 4.35E-03 | GSS07 - 2A □□□ 090C22 MDFKA□□ 090-22 60 |
| 240 | 133 | 2.9 | 12.594 | 651 | 9325 | 478 | 9325 | 799 | 133 | 4.67E-03 | GSS07 - 2A □□□ 090C22 MDFKA□□ 090-22 60 |
| 79 | 118 | 3.2 | 14.286 | 759 | 9325 | 558 | 9325 | 973 | 118 | 4.08E-03 | GSS07 - 2A □□□ 090C22 MDFKA□□ 090-22 60 |
| 295 | 108 | 2.7 | 15.500 | 801 | 9325 | 588 | 9325 | 931 | 108 | 4.38E-03 | GSS07 - 2A □□□ 090C22 MDFKA□□ 090-22 60 |
| 331 | 97 | 2.6 | 17.360 | 896 | 9325 | 658 | 9325 | 1012 | 97 | 4.24E-03 | GSS07 - 2A □□□ 090C22 MDFKA□□ 090-22 60 |
| 370 | 82 | 1.8 | 20.517 | 993 | 9325 | 729 | 9325 | 764 | 82 | 4.96E-03 | GSS07 - 2A □□□ 090C22 MDFKA□□ 090-22 60 |

Observe the notes for thermal dimensioning.

Selection tables - Helical-worm gearboxes

Forced ventilated asynchronous geared servo motors



| M ₂ [Nm] | n ₂ trans [rpm] | c | i | M ₂ max short-time M ₂ Gr on geared motor at | | | | n ₂ therm gearbox c=1 n ₁ ≤ 1400 rpm | | J _{GM} referred to motor shaft [kgm ²] | Servo helical- worm geared motor Dimensions on Page 7-47 |
|------------------------|-------------------------------|-----|--------|---|-------------|----------------------------|-------------|---|-------|---|---|
| | | | | 8 kHz | | 16 kHz | | [Nm] | [rpm] | | |
| | | | | M ₂ max [Nm] | Type EVS | M ₂ max [Nm] | Type EVS | | | | |
| 421 | 76 | 2.5 | 22.143 | 1140 | 9325 | 837 | 9325 | 1211 | 76 | 4.02E-03 | GSS07 - 2A □□□ 090C22 MDFKA□□ 090-22 60 |
| 458 | 67 | 1.7 | 25.188 | 1196 | 9325 | 901 | 9325 | 913 | 67 | 4.56E-03 | GSS07 - 2A □□□ 090C22 MDFKA□□ 090-22 60 |
| 516 | 62 | 2.3 | 27.125 | 1392 | 9325 | 1022 | 9325 | 1250 | 62 | 3.91E-03 | GSS07 - 2A □□□ 090C22 MDFKA□□ 090-22 60 |
| 562 | 54 | 1.6 | 31.000 | 1396 | 9325 | 1107 | 9325 | 1065 | 54 | 4.31E-03 | GSS07 - 2A □□□ 090C22 MDFKA□□ 090-22 60 |
| 673 | 48 | 1.8 | 35.306 | 1807 | 9325 | 1326 | 9325 | 1250 | 48 | 3.80E-03 | GSS07 - 2A □□□ 090C22 MDFKA□□ 090-22 60 |
| 704 | 43 | 1.5 | 39.200 | 1608 | 9325 | 1384 | 9325 | 1175 | 43 | 4.14E-03 | GSS07 - 2A □□□ 090C22 MDFKA□□ 090-22 60 |
| 824 | 39 | 1.5 | 43.271 | 1875 | 9325 | 1620 | 9325 | 1250 | 39 | 3.74E-03 | GSS07 - 2A □□□ 090C22 MDFKA□□ 090-22 60 |
| 897 | 34 | 1.3 | 50.000 | 1799 | 9325 | 1760 | 9325 | 1250 | 34 | 3.95E-03 | GSS07 - 2A □□□ 090C22 MDFKA□□ 090-22 60 |
| 981 | 31 | 1.3 | 54.250 | 1875 | 9325 | 1875 | 9325 | 1250 | 31 | 3.89E-03 | GSS07 - 2A □□□ 090C22 MDFKA□□ 090-22 60 |
| 1097 | 27 | 1.1 | 61.250 | 1875 | 9325 | 1875 | 9325 | 1250 | 27 | 3.87E-03 | GSS07 - 2A □□□ 090C22 MDFKA□□ 090-22 60 |
| 100 | 594 | 2.8 | 5.862 | 273 | 9326 | 240 | 9327 | 539 | 531 | 5.74E-03 | GSS07 - 2A □□□ 090C22 MDFKA□□ 090-22 120 |
| 140 | 428 | 2.5 | 8.125 | 380 | 9326 | 334 | 9327 | 685 | 383 | 4.88E-03 | GSS07 - 2A □□□ 090C22 MDFKA□□ 090-22 120 |
| 154 | 383 | 2.4 | 9.086 | 416 | 9326 | 366 | 9327 | 628 | 342 | 5.34E-03 | GSS07 - 2A □□□ 090C22 MDFKA□□ 090-22 120 |
| 173 | 348 | 2.4 | 10.000 | 469 | 9326 | 412 | 9327 | 797 | 311 | 4.51E-03 | GSS07 - 2A □□□ 090C22 MDFKA□□ 090-22 120 |
| 194 | 311 | 2.3 | 11.200 | 525 | 9326 | 462 | 9327 | 866 | 278 | 4.35E-03 | GSS07 - 2A □□□ 090C22 MDFKA□□ 090-22 120 |
| 214 | 276 | 2.1 | 12.594 | 577 | 9326 | 508 | 9327 | 799 | 247 | 4.67E-03 | GSS07 - 2A □□□ 090C22 MDFKA□□ 090-22 120 |
| 248 | 244 | 2.2 | 14.286 | 671 | 9326 | 590 | 9327 | 973 | 218 | 4.08E-03 | GSS07 - 2A □□□ 090C22 MDFKA□□ 090-22 120 |
| 264 | 225 | 1.9 | 15.500 | 711 | 9326 | 625 | 9327 | 931 | 201 | 4.38E-03 | GSS07 - 2A □□□ 090C22 MDFKA□□ 090-22 120 |
| 296 | 200 | 1.8 | 17.360 | 796 | 9326 | 700 | 9327 | 1012 | 179 | 4.24E-03 | GSS07 - 2A □□□ 090C22 MDFKA□□ 090-22 120 |
| 327 | 170 | 1.4 | 20.517 | 684 | 9326 | 684 | 9327 | 764 | 152 | 4.96E-03 | GSS07 - 2A □□□ 090C22 MDFKA□□ 090-22 120 |
| 378 | 157 | 1.7 | 22.143 | 953 | 9326 | 893 | 9327 | 1211 | 141 | 4.02E-03 | GSS07 - 2A □□□ 090C22 MDFKA□□ 090-22 120 |
| 406 | 138 | 1.2 | 25.188 | 761 | 9326 | 761 | 9327 | 913 | 124 | 4.56E-03 | GSS07 - 2A □□□ 090C22 MDFKA□□ 090-22 120 |
| 463 | 128 | 1.6 | 27.125 | 1107 | 9326 | 1093 | 9327 | 1250 | 115 | 3.91E-03 | GSS07 - 2A □□□ 090C22 MDFKA□□ 090-22 120 |
| 501 | 112 | 1.1 | 31.000 | 850 | 9326 | 850 | 9327 | 1065 | 100 | 4.31E-03 | GSS07 - 2A □□□ 090C22 MDFKA□□ 090-22 120 |
| 602 | 99 | 1.5 | 35.306 | 1344 | 9326 | 1344 | 9327 | 1250 | 88 | 3.80E-03 | GSS07 - 2A □□□ 090C22 MDFKA□□ 090-22 120 |
| 630 | 89 | 1.0 | 39.200 | 971 | 9326 | 971 | 9327 | 1175 | 79 | 4.14E-03 | GSS07 - 2A □□□ 090C22 MDFKA□□ 090-22 120 |
| 737 | 80 | 1.4 | 43.271 | 1561 | 9326 | 1561 | 9327 | 1250 | 72 | 3.74E-03 | GSS07 - 2A □□□ 090C22 MDFKA□□ 090-22 120 |
| 194 | 290 | 2.4 | 5.862 | 272 | 9325 | 328 | 9326 | 539 | 290 | 9.34E-03 | GSS07 - 2A □□□ 100C22 MDFKA□□ 100-22 60 |
| 270 | 209 | 2.2 | 8.125 | 377 | 9325 | 456 | 9326 | 685 | 209 | 8.48E-03 | GSS07 - 2A □□□ 100C22 MDFKA□□ 100-22 60 |
| 296 | 187 | 1.8 | 9.086 | 412 | 9325 | 497 | 9326 | 628 | 187 | 8.94E-03 | GSS07 - 2A □□□ 100C22 MDFKA□□ 100-22 60 |
| 333 | 170 | 2.1 | 10.000 | 465 | 9325 | 562 | 9326 | 797 | 170 | 8.11E-03 | GSS07 - 2A □□□ 100C22 MDFKA□□ 100-22 60 |
| 373 | 152 | 2.0 | 11.200 | 521 | 9325 | 629 | 9326 | 866 | 152 | 7.95E-03 | GSS07 - 2A □□□ 100C22 MDFKA□□ 100-22 60 |
| 410 | 135 | 1.7 | 12.594 | 570 | 9325 | 689 | 9326 | 799 | 135 | 8.27E-03 | GSS07 - 2A □□□ 100C22 MDFKA□□ 100-22 60 |
| 477 | 119 | 1.9 | 14.286 | 665 | 9325 | 803 | 9326 | 1036 | 119 | 7.68E-03 | GSS07 - 2A □□□ 100C22 MDFKA□□ 100-22 60 |

Observe the notes for thermal dimensioning.

Selection tables - Helical-worm gearboxes

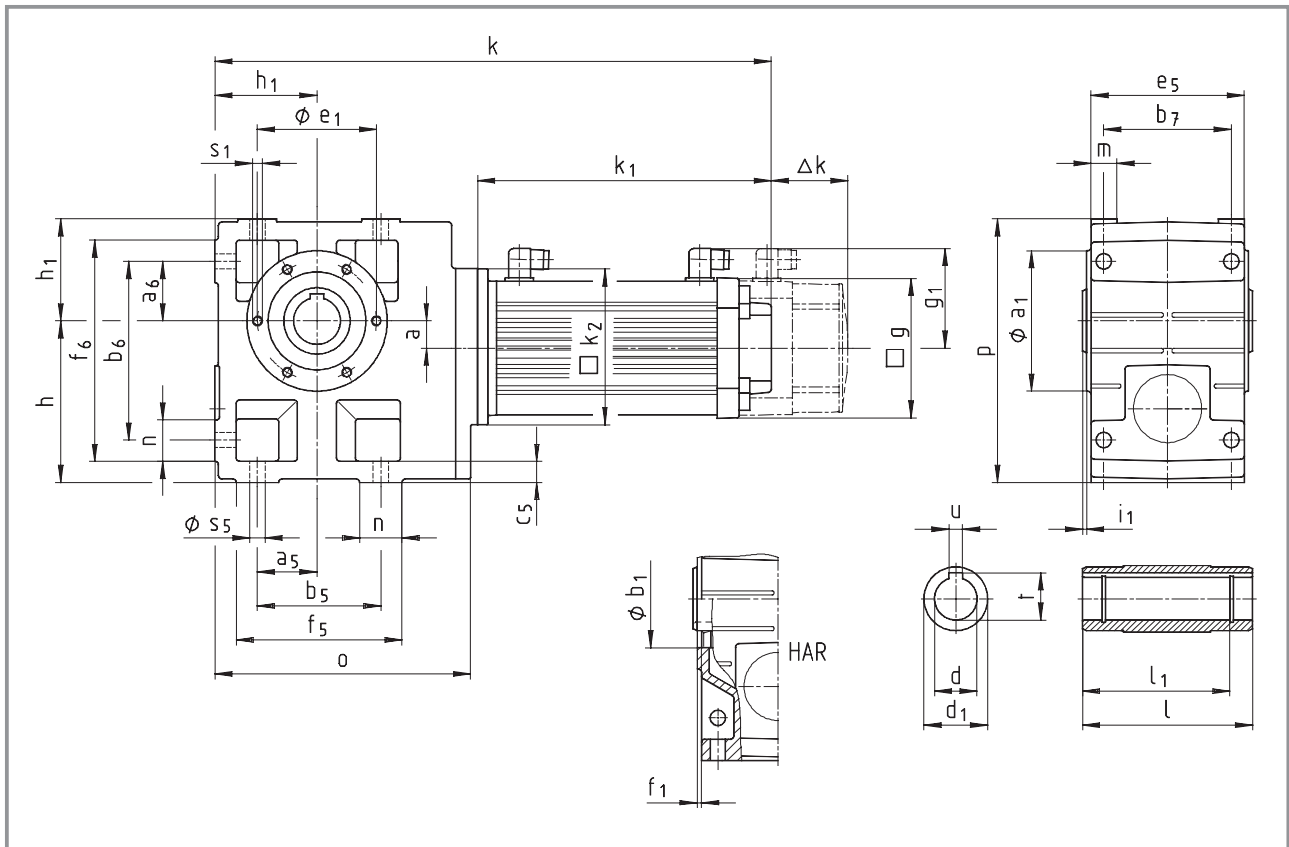
Forced ventilated asynchronous geared servo motors

| M ₂ [Nm] | n ₂ trans [rpm] | c | i | M ₂ max short-time M ₂ Gr on geared motor at | | | | n ₂ therm gearbox c=1 n ₁ ≤ 1400 rpm | | J _{GM} referred to motor shaft [kgm ²] | Servo helical- worm geared motor Dimensions on Page 7-47 |
|------------------------|-------------------------------|------------|----------------|---|-------------|----------------------------|-------------|---|-----------|---|---|
| | | | | 8 kHz | | 16 kHz | | [Nm] | [rpm] | | |
| | | | | M ₂ max [Nm] | Type EVS | M ₂ max [Nm] | Type EVS | | | | |
| 505 | 110 | 1.6 | 15.500 | 701 | 9325 | 847 | 9326 | 931 | 110 | 7.98E-03 | GSS07 - 2A □□□ 100C22 MDFKA□□ 100-22 60 |
| 565 | 98 | 1.6 | 17.360 | 785 | 9325 | 948 | 9326 | 1012 | 98 | 7.84E-03 | GSS07 - 2A □□□ 100C22 MDFKA□□ 100-22 60 |
| 629 | 83 | 1.1 | 20.517 | 869 | 9325 | 1004 | 9326 | 764 | 83 | 8.56E-03 | GSS07 - 2A □□□ 100C22 MDFKA□□ 100-22 60 |
| 720 | 77 | 1.5 | 22.143 | 998 | 9325 | 1206 | 9326 | 1211 | 77 | 7.62E-03 | GSS07 - 2A □□□ 100C22 MDFKA□□ 100-22 60 |
| 779 | 67 | 1.0 | 25.188 | 1075 | 9325 | 1196 | 9326 | 913 | 67 | 8.16E-03 | GSS07 - 2A □□□ 100C22 MDFKA□□ 100-22 60 |
| 880 | 63 | 1.4 | 27.125 | 1220 | 9325 | 1473 | 9326 | 1250 | 63 | 7.51E-03 | GSS07 - 2A □□□ 100C22 MDFKA□□ 100-22 60 |
| 193 | 599 | 1.5 | 5.862 | 364 | 9327 | 345 | 9328 | 539 | 418 | 9.34E-03 | GSS07 - 2A □□□ 100C22 MDFKA□□ 100-22 120 |
| 269 | 432 | 1.3 | 8.125 | 507 | 9327 | 480 | 9328 | 685 | 301 | 8.48E-03 | GSS07 - 2A □□□ 100C22 MDFKA□□ 100-22 120 |
| 295 | 386 | 1.3 | 9.086 | 555 | 9327 | 525 | 9328 | 628 | 269 | 8.94E-03 | GSS07 - 2A □□□ 100C22 MDFKA□□ 100-22 120 |
| 332 | 351 | 1.3 | 10.000 | 625 | 9327 | 591 | 9328 | 797 | 245 | 8.11E-03 | GSS07 - 2A □□□ 100C22 MDFKA□□ 100-22 120 |
| 372 | 313 | 1.2 | 11.200 | 684 | 9327 | 663 | 9328 | 866 | 219 | 7.95E-03 | GSS07 - 2A □□□ 100C22 MDFKA□□ 100-22 120 |
| 410 | 279 | 1.1 | 12.594 | 668 | 9327 | 668 | 9328 | 799 | 194 | 8.27E-03 | GSS07 - 2A □□□ 100C22 MDFKA□□ 100-22 120 |
| 476 | 246 | 1.1 | 14.286 | 818 | 9327 | 818 | 9328 | 1036 | 171 | 7.68E-03 | GSS07 - 2A □□□ 100C22 MDFKA□□ 100-22 120 |
| 332 | 292 | 1.4 | 5.862 | 565 | 9326 | 708 | 9328 | 539 | 292 | 2.01E-02 | GSS07 - 2A □□□ 112C22 MDFKA□□ 112-22 60 |
| 461 | 210 | 1.3 | 8.125 | 784 | 9326 | 899 | 9328 | 685 | 210 | 1.93E-02 | GSS07 - 2A □□□ 112C22 MDFKA□□ 112-22 60 |
| 504 | 188 | 1.1 | 9.086 | 824 | 9326 | 824 | 9328 | 628 | 188 | 1.97E-02 | GSS07 - 2A □□□ 112C22 MDFKA□□ 112-22 60 |
| 568 | 171 | 1.2 | 10.000 | 966 | 9326 | 1047 | 9328 | 797 | 171 | 1.89E-02 | GSS07 - 2A □□□ 112C22 MDFKA□□ 112-22 60 |
| 637 | 153 | 1.2 | 11.200 | 1083 | 9326 | 1137 | 9328 | 866 | 153 | 1.87E-02 | GSS07 - 2A □□□ 112C22 MDFKA□□ 112-22 60 |
| 632 | 27 | 2.0 | 126.531 | 1320 | 9324 | 1875 | 9325 | 1250 | 27 | 9.16E-04 | GSS07 - 3A □□□ 071C22 MDFKA□□ 071-22 120 |
| 708 | 24 | 1.7 | 142.857 | 1475 | 9324 | 1875 | 9325 | 1250 | 24 | 9.12E-04 | GSS07 - 3A □□□ 071C22 MDFKA□□ 071-22 120 |
| 772 | 22 | 1.6 | 155.000 | 1606 | 9324 | 1875 | 9325 | 1250 | 22 | 9.04E-04 | GSS07 - 3A □□□ 071C22 MDFKA□□ 071-22 120 |
| 866 | 19 | 1.4 | 175.000 | 1796 | 9324 | 1875 | 9325 | 1250 | 19 | 9.02E-04 | GSS07 - 3A □□□ 071C22 MDFKA□□ 071-22 120 |
| 999 | 17 | 1.2 | 201.746 | 1875 | 9324 | 1875 | 9325 | 1250 | 17 | 8.67E-04 | GSS07 - 3A □□□ 071C22 MDFKA□□ 071-22 120 |
| 1119 | 15 | 1.1 | 227.778 | 1875 | 9324 | 1875 | 9325 | 1250 | 15 | 8.66E-04 | GSS07 - 3A □□□ 071C22 MDFKA□□ 071-22 120 |
| 1218 | 14 | 1.0 | 247.139 | 1875 | 9324 | 1875 | 9325 | 1250 | 14 | 8.63E-04 | GSS07 - 3A □□□ 071C22 MDFKA□□ 071-22 120 |
| 1186 | 13 | 1.1 | 126.531 | 1875 | 9324 | 1875 | 9324 | 1250 | 13 | 2.01E-03 | GSS07 - 3A □□□ 080C22 MDFKA□□ 080-22 60 |
| 1095 | 27 | 1.1 | 126.531 | 1875 | 9325 | 1875 | 9325 | 1250 | 27 | 2.01E-03 | GSS07 - 3A □□□ 080C22 MDFKA□□ 080-22 120 |
| 1225 | 24 | 1.0 | 142.857 | 1875 | 9325 | 1875 | 9325 | 1250 | 24 | 2.00E-03 | GSS07 - 3A □□□ 080C22 MDFKA□□ 080-22 120 |

Observe the notes for thermal dimensioning.

Dimensions - Helical-worm gearboxes

Geared servo motors with resolver



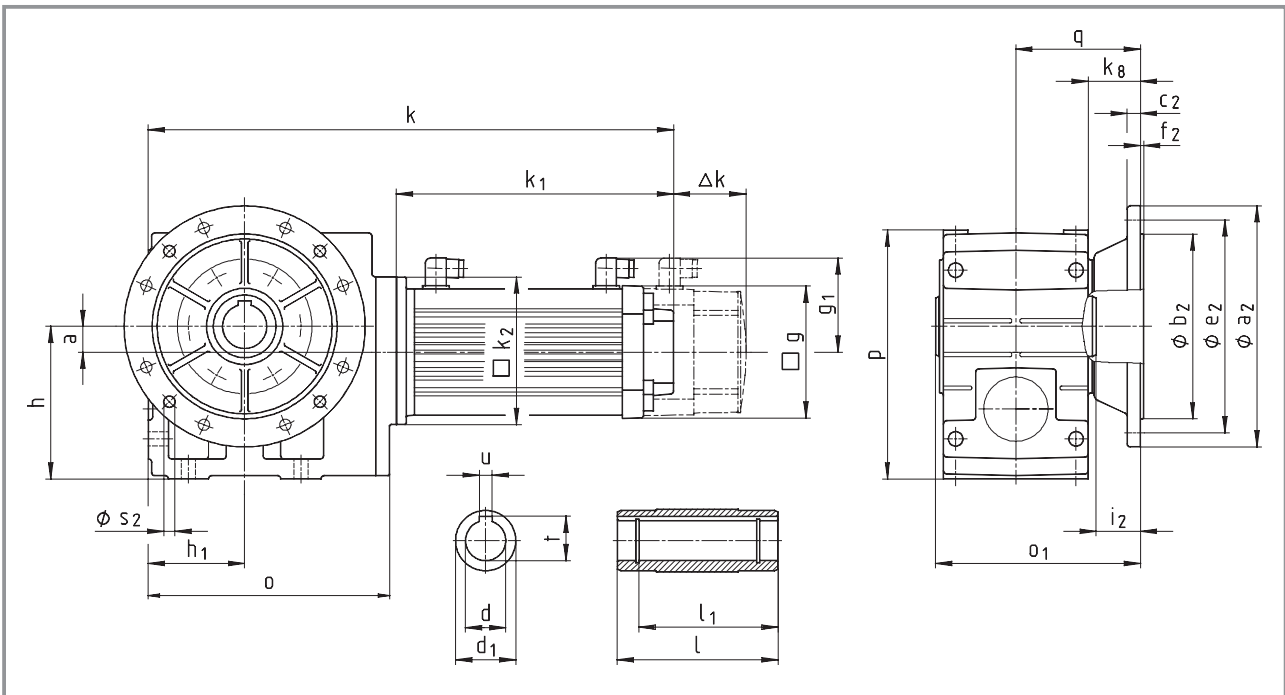
| Geared servo motor | | S (synchronous servo motors) | | | | | A (asynchronous servo motors) | | | | | | | | | | |
|---|---|------------------------------|-----|-----|----------------|-----|-------------------------------|-----|-----|-----|-----|-----|-----|-----|-----|-----|-----|
| GSS□□ - 2 ^A _S HOR | | 056 | | 071 | | | 056 | 071 | 080 | 090 | 100 | 112 | | | | | |
| | | C23 | C33 | C03 | C13 | C33 | C22 | C22 | C22 | C22 | C22 | C22 | | | | | |
| Motor | g | 102 | 102 | 131 | 131 | 131 | 102 | 131 | 142 | 165 | 192 | 214 | | | | | |
| | g ₁ | 90 | 90 | 102 | 102 | 102 | 90 | 102 | 109 | 118 | 136 | 147 | | | | | |
| | k ₂ | 145 | 145 | 145 | 145 | 145 | 145 | 145 | 180 | 180 | 222 | 265 | | | | | |
| | k ₁ naturally ventilated | 207 | 242 | 215 | 250 | 285 | 258 | 267 | 307 | 346 | 408 | 479 | | | | | |
| | Δk^{**} forced ventilated+brake | 27 | 27 | 35 | 35 | 35 | 25 | 35 | 33 | 35 | 38 | 42 | | | | | |
| | forced ventilated | - | - | 68 | 68 | 68 | - | 68 | 62 | 89 | 97 | 96 | | | | | |
| | forced ventilated+brake | - | - | 103 | 103 | 103 | - | 103 | 95 | 124 | 135 | 138 | | | | | |
| Gearbox size | Gearbox | | | | | | Overall length | | | | | | | | | | |
| | o | l* | p* | h | h ₁ | a | k | | | | | | | | | | |
| 04 | 181 | 115 | 171 | 100 | 71 | 20 | 402 | 437 | 410 | 445 | 480 | 453 | 462 | | | | |
| 05 | 212 | 140 | 205 | 125 | 80 | 23 | 423 | 458 | 432 | 467 | 502 | 475 | 483 | 533 | | | |
| 06 | 255 | 160 | 250 | 150 | 100 | 26 | 463 | 498 | 472 | 507 | 542 | 515 | 523 | 573 | 612 | | |
| 07 | 305 | 200 | 310 | 190 | 120 | 33 | 506 | 541 | 515 | 550 | 585 | 558 | 566 | 616 | 655 | 724 | 802 |

| Gearbox size | Hollow shaft | | | | | | Pitch circle | | | | | Foot | | | | | | | | | | | | |
|--------------|--------------|-----|----------------|----------------|----------|--------------|----------------|-------------------|----------------|----------------|----------------|----------------------|----------------|----------------|----------------|----------------|----------------|----------------|----------------|----------------|----------------|----|----|----------------|
| | d H7 | l | d ₁ | l ₁ | u JS9 | t +0.2 | a ₁ | b ₁ H7 | e ₁ | f ₁ | i ₁ | s ₁ 6x60° | a ₅ | a ₆ | b ₅ | b ₆ | b ₇ | c ₅ | e ₅ | f ₅ | f ₆ | n | m | s ₅ |
| 04 | 25 30 | 115 | 45 | 100 | 8 8 | 28.3 33.3 | 105 | 75 | 90 | 3 | 2.5 | M6x12 | 45 | 45 | 90 | 119 | 85 | 14 | 100 | 112 | 141 | 22 | 20 | 9 |
| 05 | 30 35 | 140 | 50 | 124 | 8 10 | 33.3 38.3 | 118 | 80 | 100 | 4 | 4 | M8x15 | 47.5 | 47.5 | 95 | 140 | 105 | 17 | 127 | 124 | 169 | 29 | 21 | 11 |
| 06 | 40 45 | 160 | 65 | 140 | 12 14 | 43.3 48.8 | 140 | 100 | 120 | 4 | 5 | M10x16 | 60 | 60 | 120 | 170 | 120 | 20 | 145 | 156 | 206 | 36 | 23 | 14 |
| 07 | 50 55 | 200 | 75 | 175 | 14 16 | 53.8 59.3 | 165 | 115 | 140 | 5 | 5 | M12x18 | 70 | 70 | 140 | 210 | 150 | 25 | 180 | 185 | 255 | 45 | 28 | 18 |

Dimensions in [mm] * Observe dimension k₂.
 ** See page 8-34 for more built-on accessories for motors

Dimensions - Helical-worm gearboxes

Geared servo motors with resolver



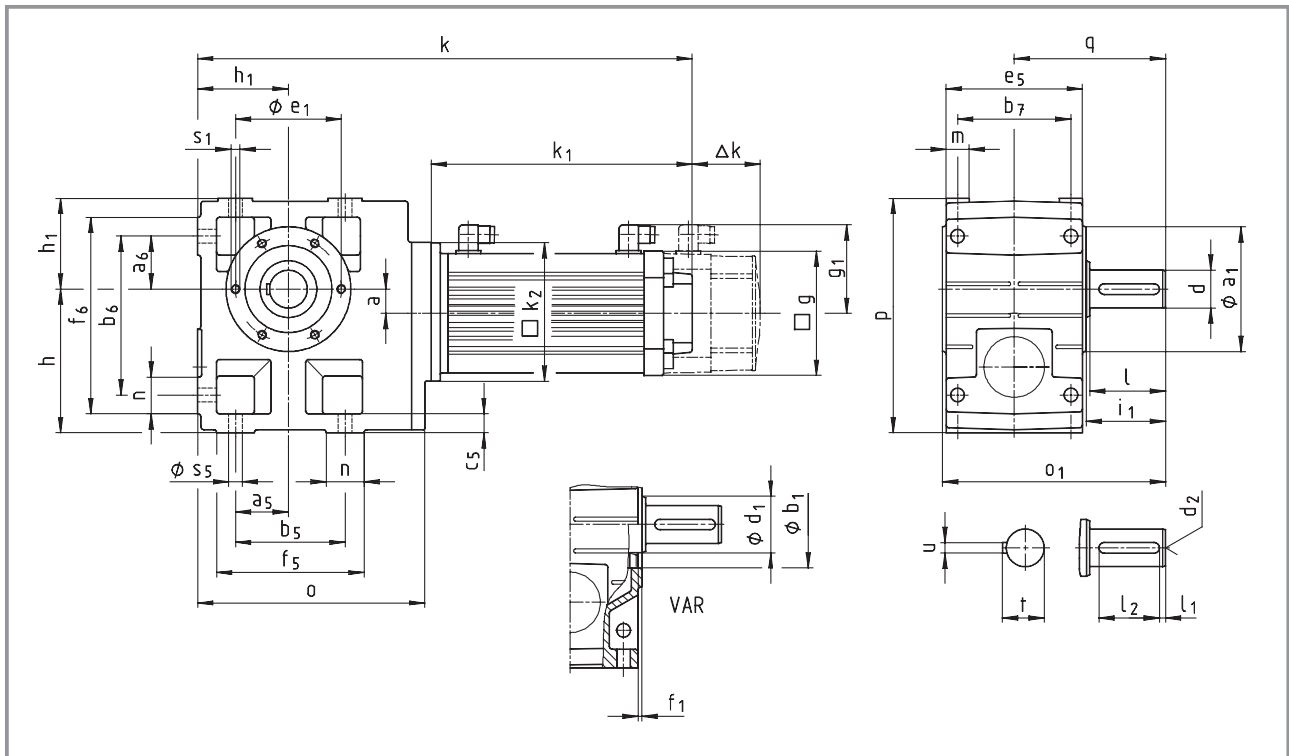
| Geared servo motor GSS□□ - 2 AS HAK | | S (synchronous servo motors) | | | | | A (asynchronous servo motors) | | | | | | | | | | | | |
|---|---|------------------------------|-------|-----|-------|-----|-------------------------------|------|----------------|-----|-----|-----|-----|-----|-----|-----|-----|-----|-----|
| | | 056 | | 071 | | | 056 | 071 | 080 | 090 | 100 | 112 | | | | | | | |
| | | C23 | C33 | C03 | C13 | C33 | C22 | C22 | C22 | C22 | C22 | C22 | | | | | | | |
| Motor | g | 102 | 102 | 131 | 131 | 131 | 102 | 131 | 142 | 165 | 192 | 214 | | | | | | | |
| | g_1 | 90 | 90 | 102 | 102 | 102 | 90 | 102 | 109 | 118 | 136 | 147 | | | | | | | |
| | k_2 | 145 | 145 | 145 | 145 | 145 | 145 | 145 | 180 | 180 | 222 | 265 | | | | | | | |
| | k_1 naturally ventilated | 207 | 242 | 215 | 250 | 285 | 258 | 267 | 307 | 346 | 408 | 479 | | | | | | | |
| | Δk^{**} forced ventilated+brake | 27 | 27 | 35 | 35 | 35 | 25 | 35 | 33 | 35 | 38 | 42 | | | | | | | |
| | forced ventilated | - | - | 68 | 68 | 68 | - | 68 | 62 | 89 | 97 | 96 | | | | | | | |
| | forced ventilated+brake | - | - | 103 | 103 | 103 | - | 103 | 95 | 124 | 135 | 138 | | | | | | | |
| Gearbox size | Gearbox | | | | | | | | Overall length | | | | | | | | | | |
| | o | o_1^* | p^* | h | h_1 | a | k_8 | q | k | | | | | | | | | | |
| 04 | 181 | 148 | 171 | 100 | 71 | 20 | 38 | 90.5 | 402 | 437 | 410 | 445 | 480 | 453 | 462 | | | | |
| 05 | 212 | 173 | 205 | 125 | 80 | 23 | 40 | 103 | 423 | 458 | 432 | 467 | 502 | 475 | 483 | 533 | | | |
| 06 | 255 | 201 | 250 | 150 | 100 | 26 | 49 | 121 | 463 | 498 | 472 | 507 | 542 | 515 | 523 | 573 | 612 | | |
| 07 | 305 | 255 | 310 | 190 | 120 | 33 | 65 | 155 | 506 | 541 | 515 | 550 | 585 | 558 | 566 | 616 | 655 | 724 | 802 |

| Gearbox size | Hollow shaft | | Output flange | | | | | | | | | | |
|--------------|--------------|-----|---------------|-------|------------|--------------|------------|-------------|----------|------------|----------|----------|------------------|
| | d H7 | l | d_1 | l_1 | u JS9 | t +0.2 | a_2 | b_2 j7 | c_2 | e_2 | f_2 | i_2 | s_2 |
| 04 | 25 30 | 115 | 45 | 100 | 8 8 | 28.3 33.3 | 160 | 110 | 10 | 130 | 3.5 | 33 | 4 x 9 |
| 05 | 30 35 | 140 | 50 | 124 | 8 10 | 33.3 38.3 | 200 | 130 | 12 | 165 | 3.5 | 33 | 4 x 11 |
| 06 | 40 45 | 160 | 65 | 140 | 12 14 | 43.3 48.8 | 200 250 | 130 180 | 12 15 | 165 215 | 3.5 4 | 42 41 | 4 x 11 4 x 14 |
| 07 | 50 55 | 200 | 75 | 175 | 14 16 | 53.8 59.3 | 250 300 | 180 230 | 15 17 | 215 265 | 4 | 55 | 4 x 14 |

Dimensions in [mm] * Observe dimension k_2 .
** See page 8-34 for more built-on accessories for motors

Dimensions - Helical-worm gearboxes

Geared servo motors with resolver



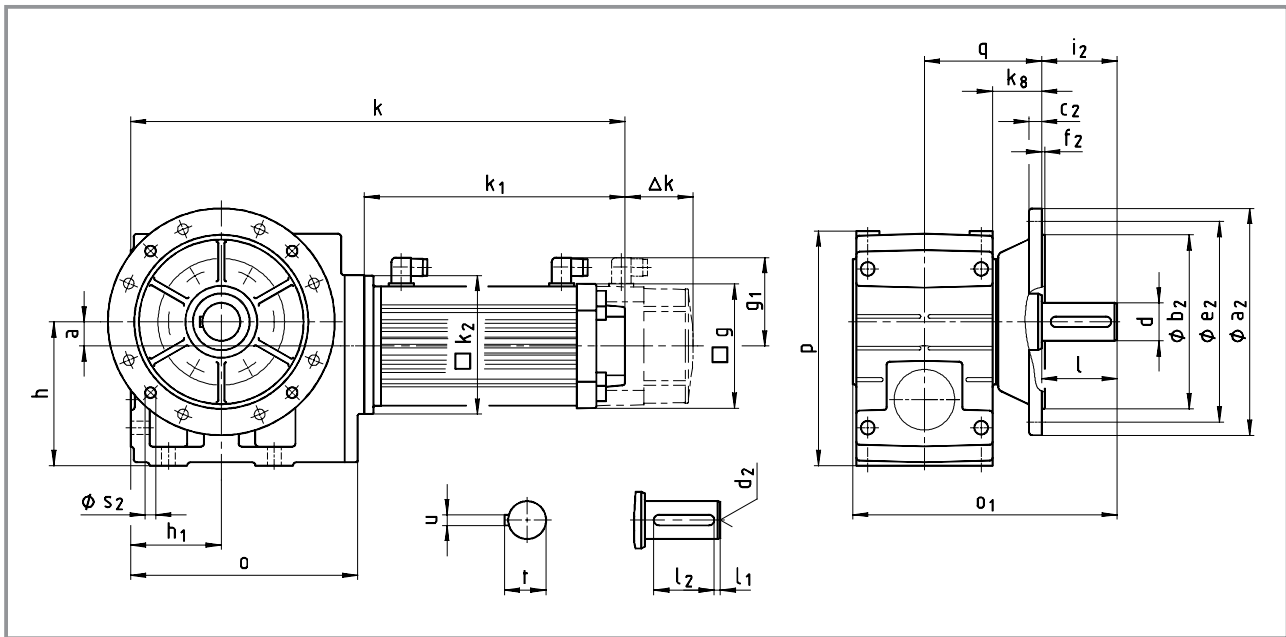
| Geared servo motor | | S (synchronous servo motors) | | | | | A (asynchronous servo motors) | | | | | | | | | | | | | | | | | |
|------------------------------|-------------------------------------|------------------------------|-----|-----|----------------|-----|-------------------------------|------------------|-----|-----|-----|-----|-----|-----|-----|-----|-----|-----|--|--|--|--|--|--|
| GSS□□ - 2 ^A S V□□ | | 056 | | 071 | | | 056 | 071 | 080 | 090 | 100 | 112 | | | | | | | | | | | | |
| | | C23 | C33 | C03 | C13 | C33 | C22 | C22 | C22 | C22 | C22 | C22 | | | | | | | | | | | | |
| Motor | g | 102 | 102 | 131 | 131 | 131 | 102 | 131 | 142 | 165 | 192 | 214 | | | | | | | | | | | | |
| | g ₁ | 90 | 90 | 102 | 102 | 102 | 90 | 102 | 109 | 118 | 136 | 147 | | | | | | | | | | | | |
| | k ₂ | 145 | 145 | 145 | 145 | 145 | 145 | 145 | 180 | 180 | 222 | 265 | | | | | | | | | | | | |
| | k ₁ naturally ventilated | 207 | 242 | 215 | 250 | 285 | 258 | 267 | 307 | 346 | 408 | 479 | | | | | | | | | | | | |
| | Δk** forced ventilated+brake | 27 | 27 | 35 | 35 | 35 | 25 | 35 | 33 | 35 | 38 | 42 | | | | | | | | | | | | |
| | forced ventilated | - | - | 68 | 68 | 68 | - | 68 | 62 | 89 | 97 | 96 | | | | | | | | | | | | |
| | forced ventilated+brake | - | - | 103 | 103 | 103 | - | 103 | 95 | 124 | 135 | 138 | | | | | | | | | | | | |
| Gearbox size | Gearbox | | | | | | | Overall length k | | | | | | | | | | | | | | | | |
| | o | o ₁ * | p* | h | h ₁ | a | q | | | | | | | | | | | | | | | | | |
| 04 | 181 | 163 | 171 | 100 | 71 | 20 | 107.5 | 402 | 437 | 410 | 445 | 480 | 453 | 462 | | | | | | | | | | |
| 05 | 212 | 197 | 205 | 125 | 80 | 23 | 130 | 423 | 458 | 432 | 467 | 502 | 475 | 483 | 533 | | | | | | | | | |
| 06 | 255 | 236 | 250 | 150 | 100 | 26 | 160 | 463 | 498 | 472 | 507 | 542 | 515 | 523 | 573 | 612 | | | | | | | | |
| 07 | 305 | 296 | 310 | 190 | 120 | 33 | 200 | 506 | 541 | 515 | 550 | 585 | 558 | 566 | 616 | 655 | 724 | 802 | | | | | | |

| Gearbox size | Solid shaft | | | | | | | | Pitch circle | | | | | | Foot | | | | | | | | | | | |
|--------------|-------------|-----|----------------|----------------|----------------|----------------|----|------|----------------|-------------------|----------------|----------------|----------------|------------------------|----------------|----------------|----------------|----------------|----------------|----------------|----------------|----------------|----------------|----|----|----------------|
| | d | l | d ₁ | l ₁ | l ₂ | d ₂ | u | t | a ₁ | b ₁ H7 | e ₁ | f ₁ | i ₁ | s ₁ 6 x 60° | a ₅ | a ₆ | b ₅ | b ₆ | b ₇ | c ₅ | e ₅ | f ₅ | f ₆ | n | m | s ₅ |
| 04 | 25 | 50 | 45 | 4 | 40 | M10 | 8 | 28 | 105 | 75 | 90 | 3 | 52.5 | M6x12 | 45 | 45 | 90 | 119 | 85 | 14 | 100 | 112 | 141 | 22 | 20 | 9 |
| 05 | 30 | 60 | 50 | 6 | 45 | M10 | 8 | 33 | 118 | 80 | 100 | 4 | 64 | M8x15 | 47.5 | 47.5 | 95 | 140 | 105 | 17 | 127 | 124 | 169 | 29 | 21 | 11 |
| 06 | 40 | 80 | 65 | 7 | 63 | M16 | 12 | 43 | 140 | 100 | 120 | 4 | 85 | M10x16 | 60 | 60 | 120 | 170 | 120 | 20 | 145 | 156 | 206 | 36 | 23 | 14 |
| 07 | 50 | 100 | 75 | 8 | 80 | M16 | 14 | 53.5 | 165 | 115 | 140 | 5 | 105 | M12x18 | 70 | 70 | 140 | 210 | 150 | 25 | 180 | 185 | 255 | 45 | 28 | 18 |

Dimensions in [mm] d ≤ 50 mm: k6
d > 50 mm: m6 * Observe dimension k₂
** See page 8-34 for more built-on accessories for motors

Dimensions - Helical-worm gearboxes

Geared servo motors with resolver



| Geared servo motor | | S (synchronous servo motors) | | | | | A (asynchronous servo motors) | | | | | | | | | | | | |
|------------------------------|---|------------------------------|-------|-----|-------|-----|-------------------------------|------|----------------|-----|-----|-----|-----|-----|-----|-----|-----|-----|-----|
| GSS□□ - 2 ^A S VAK | | 056 | | 071 | | | 056 | 071 | 080 | 090 | 100 | 112 | | | | | | | |
| | | C23 | C33 | C03 | C13 | C33 | C22 | C22 | C22 | C22 | C22 | C22 | | | | | | | |
| Motor | g | 102 | 102 | 131 | 131 | 131 | 102 | 131 | 142 | 165 | 192 | 214 | | | | | | | |
| | g_1 | 90 | 90 | 102 | 102 | 102 | 90 | 102 | 109 | 118 | 136 | 147 | | | | | | | |
| | k_2 | 145 | 145 | 145 | 145 | 145 | 145 | 145 | 180 | 180 | 222 | 265 | | | | | | | |
| | k_1 naturally ventilated | 207 | 242 | 215 | 250 | 285 | 258 | 267 | 307 | 346 | 408 | 479 | | | | | | | |
| | Δk^{**} forced ventilated+brake | 27 | 27 | 35 | 35 | 35 | 25 | 35 | 33 | 35 | 38 | 42 | | | | | | | |
| | forced ventilated | - | - | 68 | 68 | 68 | - | 68 | 62 | 89 | 97 | 96 | | | | | | | |
| | forced ventilated+brake | - | - | 103 | 103 | 103 | - | 103 | 95 | 124 | 135 | 138 | | | | | | | |
| Gearbox size | Gearbox | | | | | | | | Overall length | | | | | | | | | | |
| | o | o_1^* | p^* | h | h_1 | a | k_8 | q | k | | | | | | | | | | |
| 04 | 181 | 196 | 171 | 100 | 71 | 20 | 38 | 90.5 | 402 | 437 | 410 | 445 | 480 | 453 | 462 | | | | |
| 05 | 212 | 230 | 205 | 125 | 80 | 23 | 40 | 103 | 423 | 458 | 432 | 467 | 502 | 475 | 483 | 533 | | | |
| 06 | 255 | 277 | 250 | 150 | 100 | 26 | 49 | 121 | 463 | 498 | 472 | 507 | 542 | 515 | 523 | 573 | 612 | | |
| 07 | 305 | 351 | 310 | 190 | 120 | 33 | 65 | 155 | 506 | 541 | 515 | 550 | 585 | 558 | 566 | 616 | 655 | 724 | 802 |

| Gearbox size | Solid shaft | | | | | | | | Output flange | | | | | | |
|--------------|-------------|-----|-------|-------|-------|-----|------|-------|---------------|-------|-------|-------|-------|--------|--|
| | d | l | l_1 | l_2 | d_2 | u | t | a_2 | b_2 j7 | c_2 | e_2 | f_2 | i_2 | s_2 | |
| 04 | 25 | 50 | 4 | 40 | M10 | 8 | 28 | 160 | 110 | 10 | 130 | 3.5 | 50 | 4 x 9 | |
| 05 | 30 | 60 | 6 | 45 | M10 | 8 | 33 | 200 | 130 | 12 | 165 | 3.5 | 60 | 4 x 11 | |
| 06 | 40 | 80 | 7 | 63 | M16 | 12 | 43 | 250 | 180 | 15 | 215 | 4 | 80 | 4 x 14 | |
| 07 | 50 | 100 | 8 | 80 | M16 | 14 | 53.5 | 250 | 180 | 15 | 215 | 4 | 100 | 4 x 14 | |
| | | | | | | | | 300 | 230 | 17 | 265 | | | | |

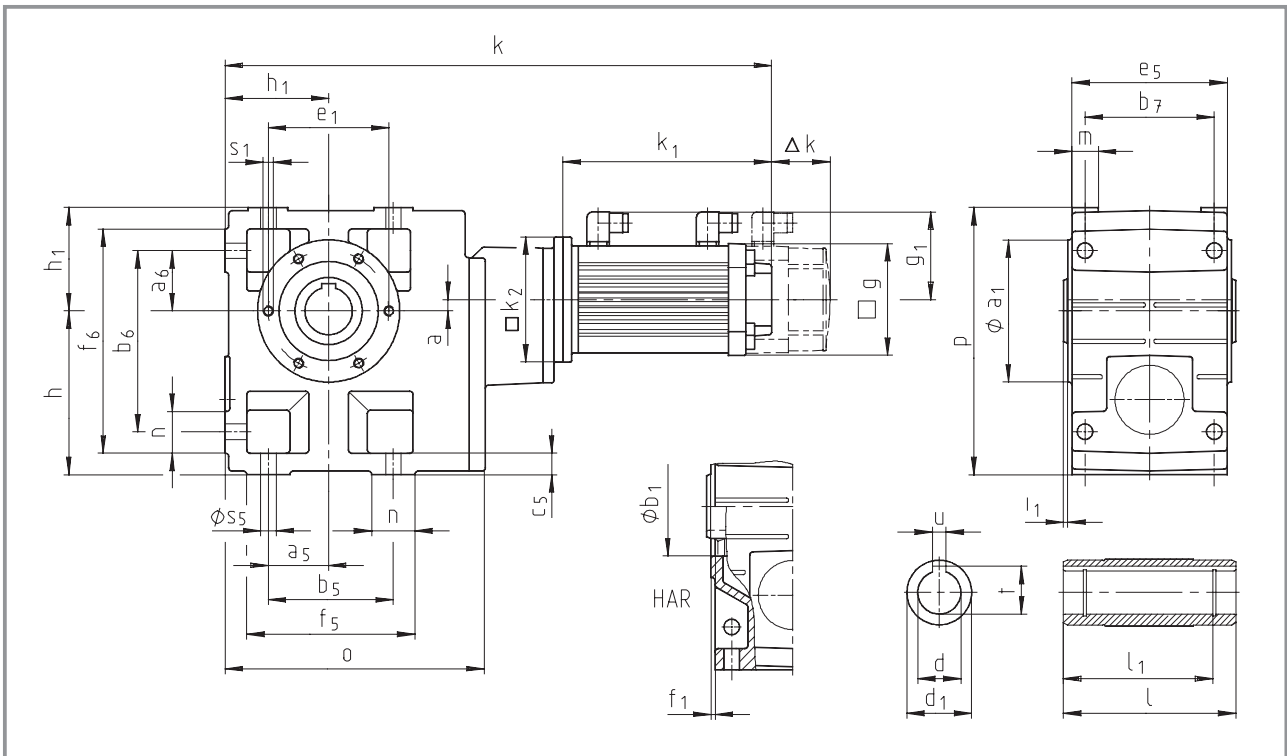
Dimensions in [mm] $d \leq 50$ mm: k6
 $d > 50$ mm: m6

* Observe dimension k_2

** See page 8-34 for more built-on accessories for motors

Dimensions - Helical-worm gearboxes

Geared servo motors with resolver



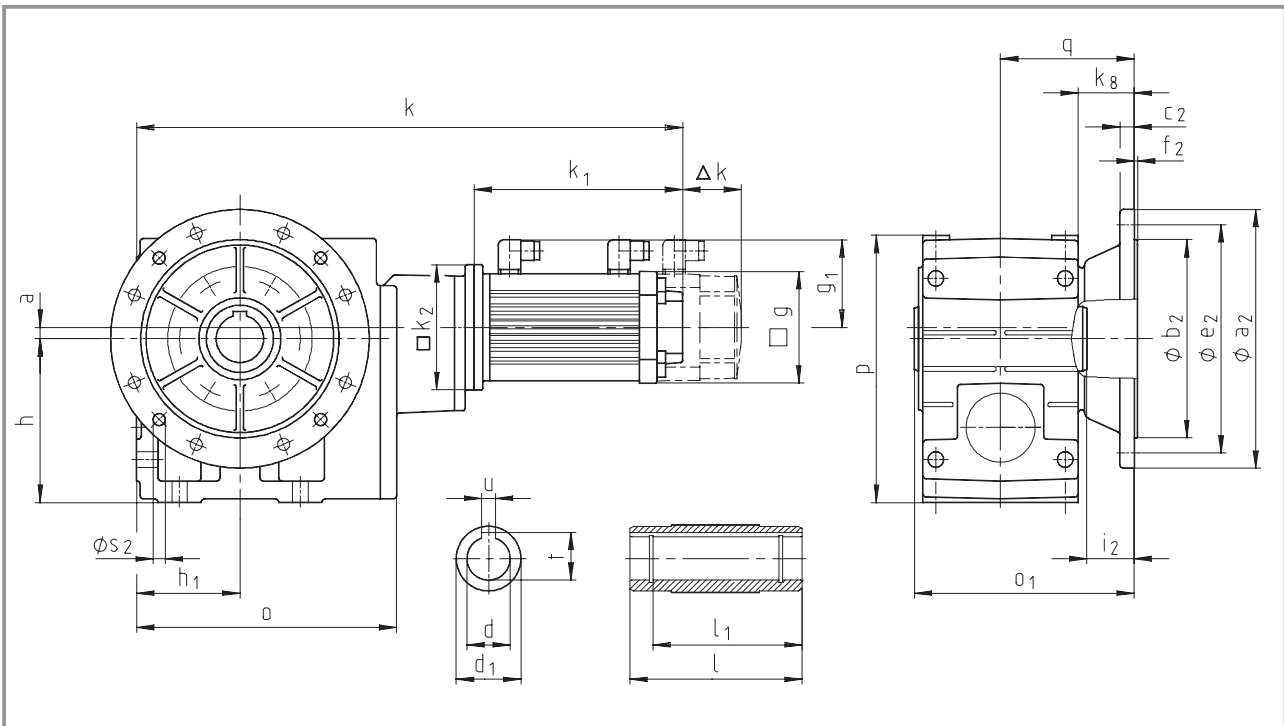
| Geared servo motor | | S (synchronous servo motors) | | | | | A (asynchronous servo motors) | | | | | | | |
|--------------------|--|------------------------------|--------|-----------|----------------|-----------|-------------------------------|-----------|----------|-----|-----|-----|-----|-----|
| GSS□□ - 3 A S HAR | | 056 | | 071 | | | 056 | 071 | 080 | | | | | |
| | | C23 | C33 | C03 | C13 | C33 | C22 | C22 | C22 | | | | | |
| Motor | g | 102 | 102 | 131 | 131 | 131 | 102 | 131 | 142 | | | | | |
| | g ₁ | 90 | 90 | 102 | 102 | 102 | 90 | 102 | 109 | | | | | |
| | k ₂ | 145 | 145 | 145 | 145 | 145 | 145 | 145 | 180 | | | | | |
| | k ₁ naturally ventilated | 207 | 242 | 215 | 250 | 285 | 258 | 267 | 307 | | | | | |
| | Δk** naturally ventilated+brake | 27 | 27 | 35 | 35 | 35 | 25 | 35 | 33 | | | | | |
| | forced ventilated forced ventilated+brake | - - | - - | 68 103 | 68 103 | 68 103 | - - | 68 103 | 62 95 | | | | | |
| Gearbox size | Gearbox | | | | | | Overall length | | | | | | | |
| | o | l* | p* | h | h ₁ | a | k | | | | | | | |
| 05 | 209 | 140 | 205 | 125 | 80 | 13 | 500 | 535 | 508 | 543 | 578 | 551 | 560 | |
| 06 | 252 | 160 | 250 | 150 | 100 | 10 | 557 | 592 | 565 | 600 | 635 | 608 | 617 | |
| 07 | 299 | 200 | 310 | 190 | 120 | 12 | 611 | 646 | 619 | 654 | 689 | 662 | 671 | 721 |

| Gearbox size | Hollow shaft | | | | | | Pitch circle | | | | | | Foot | | | | | | | | | | | |
|--------------|--------------|-----|----------------|----------------|-------|--------|----------------|-------------------|----------------|----------------|----------------|------------------------|----------------|----------------|----------------|----------------|----------------|----------------|----------------|----------------|----------------|----|----|----------------|
| | d H7 | l | d ₁ | l ₁ | u JS9 | t +0.2 | a ₁ | b ₁ H7 | e ₁ | f ₁ | i ₁ | s ₁ 6 x 60° | a ₅ | a ₆ | b ₅ | b ₆ | b ₇ | c ₅ | e ₅ | f ₅ | f ₆ | n | m | s ₅ |
| 05 | 30 | 140 | 50 | 124 | 8 | 33.3 | 118 | 80 | 100 | 4 | 4 | M8x15 | 47.5 | 47.5 | 95 | 140 | 105 | 17 | 127 | 124 | 169 | 29 | 21 | 11 |
| | 10 | | | | 38.3 | | | | | | | | | | | | | | | | | | | |
| 06 | 40 | 160 | 65 | 140 | 12 | 43.3 | 140 | 100 | 120 | 4 | 5 | M10x16 | 60 | 60 | 120 | 170 | 120 | 20 | 145 | 156 | 206 | 36 | 23 | 14 |
| | 14 | | | | 48.8 | | | | | | | | | | | | | | | | | | | |
| 07 | 50 | 200 | 75 | 175 | 14 | 53.8 | 165 | 115 | 140 | 5 | 5 | M12x18 | 70 | 70 | 140 | 210 | 150 | 25 | 180 | 185 | 255 | 45 | 28 | 18 |
| | 16 | | | | 59.3 | | | | | | | | | | | | | | | | | | | |

Dimensions in [mm] * Observe dimension k₂.
 ** See page 8-34 for more built-on accessories for motors

Dimensions - Helical-worm gearboxes

Geared servo motors with resolver



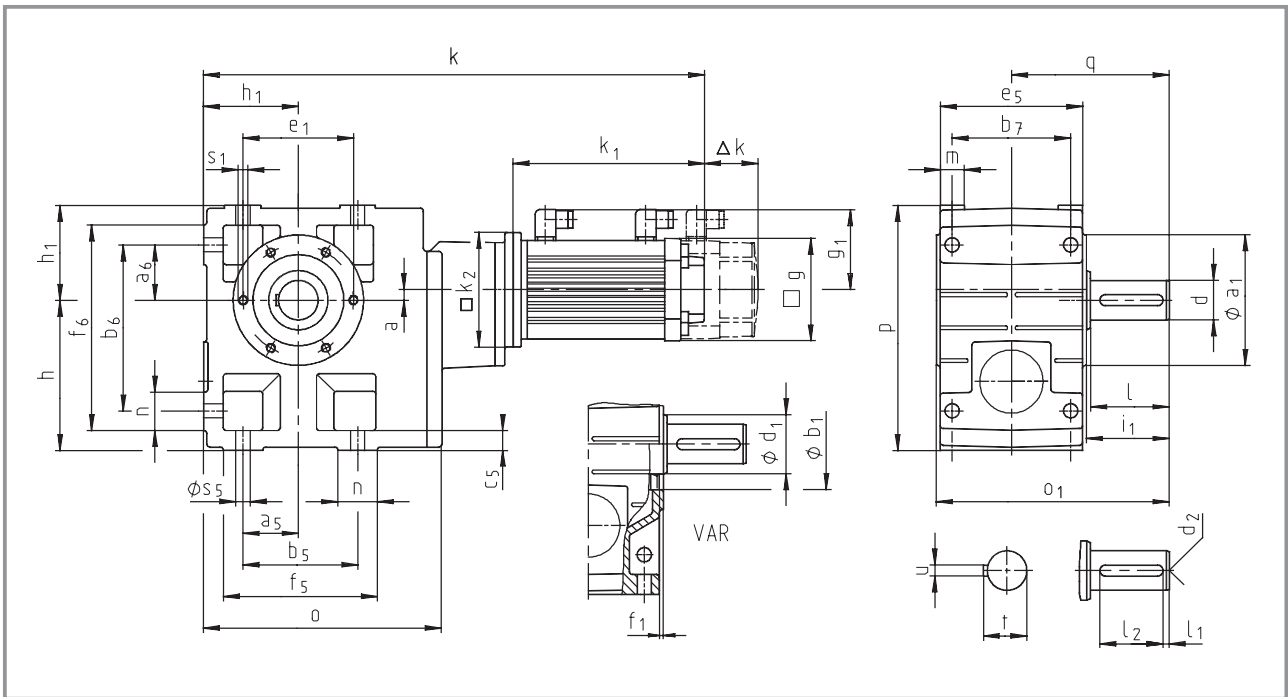
| Geared servo motor | | S (synchronous servo motors) | | | | | A (asynchronous servo motors) | | | | | | | | | | |
|--------------------|--|------------------------------|-------|-----|-------|-----|-------------------------------|-----|----------------|-----|-----|-----|-----|-----|-----|-----|--|
| GSS□□ - 3 A S HAK | | 056 | | 071 | | | 056 | 071 | 080 | | | | | | | | |
| | | C23 | C33 | C03 | C13 | C33 | C22 | C22 | C22 | | | | | | | | |
| Motor | g | 102 | 102 | 131 | 131 | 131 | 102 | 131 | 142 | | | | | | | | |
| | g_1 | 90 | 90 | 102 | 102 | 102 | 90 | 102 | 109 | | | | | | | | |
| | k_2 | 145 | 145 | 145 | 145 | 145 | 145 | 145 | 180 | | | | | | | | |
| | k_1 naturally ventilated | 207 | 242 | 215 | 250 | 285 | 258 | 267 | 307 | | | | | | | | |
| | Δk^{**} naturally ventilated+brake | 27 | 27 | 35 | 35 | 35 | 25 | 35 | 33 | | | | | | | | |
| | forced ventilated | - | - | 68 | 68 | 68 | - | 68 | 62 | | | | | | | | |
| | forced ventilated+brake | - | - | 103 | 103 | 103 | - | 103 | 95 | | | | | | | | |
| Gearbox size | Gearbox | | | | | | | | Overall length | | | | | | | | |
| | o | o_1^* | p^* | h | h_1 | a | k_8 | q | k | | | | | | | | |
| 05 | 209 | 173 | 205 | 125 | 80 | 13 | 40 | 103 | 500 | 535 | 508 | 543 | 578 | 551 | 560 | | |
| 06 | 252 | 201 | 250 | 150 | 100 | 10 | 49 | 121 | 557 | 592 | 565 | 600 | 635 | 608 | 617 | | |
| 07 | 299 | 255 | 310 | 190 | 120 | 12 | 65 | 155 | 611 | 646 | 619 | 654 | 689 | 662 | 671 | 721 | |

| Gearbox size | Hollow shaft | | Output flange | | | | | | | | | | |
|--------------|--------------|-----|---------------|-------|---------|----------|-------|----------|-------|-------|-------|-------|--------|
| | d H7 | l | d_1 | l_1 | u JS9 | t +0.2 | a_2 | b_2 j7 | c_2 | e_2 | f_2 | i_2 | s_2 |
| 05 | 30 | 140 | 50 | 124 | 8 | 33.3 | 200 | 130 | 12 | 165 | 3.5 | 33 | 4 x 11 |
| | 35 | | | | 10 | 38.3 | | | | | | | |
| 06 | 40 | 160 | 65 | 140 | 12 | 43.3 | 200 | 130 | 12 | 165 | 3.5 | 42 | 4 x 11 |
| | 45 | | | | 14 | 48.8 | | | | | | | |
| 07 | 50 | 200 | 75 | 175 | 14 | 53.8 | 250 | 180 | 15 | 215 | 4 | 55 | 4 x 14 |
| | 55 | | | | 16 | 59.3 | | | | | | | |

Dimensions in [mm] * Observe dimension k_2 .
 ** See page 8-34 for more built-on accessories for motors

Dimensions - Helical-worm gearboxes

Geared servo motors with resolver



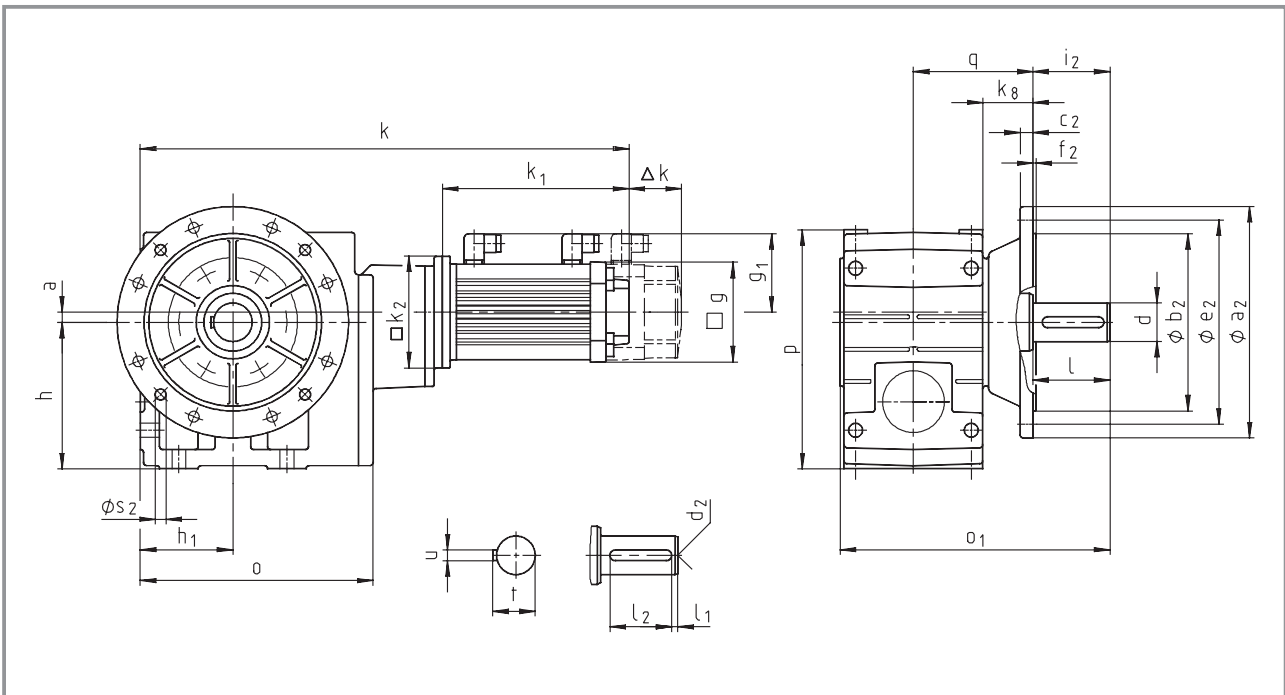
| Geared servo motor | | S (synchronous servo motors) | | | | | A (asynchronous servo motors) | | | | | | | | |
|---|--|------------------------------|-------|-----|-------|-----|-------------------------------|----------------|-----|-----|-----|-----|-----|-----|-----|
| GSS□□ - 3 ^A _S V□□ | | 056 | | 071 | | | 056 | 071 | 080 | | | | | | |
| | | C23 | C33 | C03 | C13 | C33 | C22 | C22 | C22 | | | | | | |
| Motor | g | 102 | 102 | 131 | 131 | 131 | 102 | 131 | 142 | | | | | | |
| | g_1 | 90 | 90 | 102 | 102 | 102 | 90 | 102 | 109 | | | | | | |
| | k_2 | 145 | 145 | 145 | 145 | 145 | 145 | 145 | 180 | | | | | | |
| | k_1 naturally ventilated | 207 | 242 | 215 | 250 | 285 | 258 | 267 | 307 | | | | | | |
| | Δk^{**} naturally ventilated+brake | 27 | 27 | 35 | 35 | 35 | 25 | 35 | 33 | | | | | | |
| | forced ventilated | - | - | 68 | 68 | 68 | - | 68 | 62 | | | | | | |
| | forced ventilated+brake | - | - | 103 | 103 | 103 | - | 103 | 95 | | | | | | |
| Gearbox size | Gearbox | | | | | | | Overall length | | | | | | | |
| | o | o_1^* | p^* | h | h_1 | a | q | k | | | | | | | |
| 05 | 209 | 197 | 205 | 125 | 80 | 13 | 130 | 500 | 535 | 508 | 543 | 578 | 551 | 560 | |
| 06 | 252 | 236 | 250 | 150 | 100 | 10 | 160 | 557 | 592 | 565 | 600 | 635 | 608 | 617 | |
| 07 | 299 | 296 | 310 | 190 | 120 | 12 | 200 | 611 | 646 | 619 | 654 | 689 | 662 | 671 | 721 |

| Gearbox size | Solid shaft | | | | | | | | Pitch circle | | | | | | Foot | | | | | | | | | | | |
|--------------|-------------|-----|-------|-------|-------|-------|-----|------|--------------|-------------|-------|-------|-------|------------------|-------|-------|-------|-------|-------|-------|-------|-------|-------|-----|-----|-------|
| | d | l | d_1 | l_1 | l_2 | d_2 | u | t | a_1 | b_1 H7 | e_1 | f_1 | i_1 | s_1 6 x 60° | a_5 | a_6 | b_5 | b_6 | b_7 | c_5 | e_5 | f_5 | f_6 | n | m | s_5 |
| 05 | 30 | 60 | 50 | 6 | 45 | M10 | 8 | 33 | 118 | 80 | 100 | 4 | 64 | M8x15 | 47.5 | 47.5 | 95 | 140 | 105 | 17 | 127 | 124 | 169 | 29 | 21 | 11 |
| 06 | 40 | 80 | 65 | 7 | 63 | M16 | 12 | 43 | 140 | 100 | 120 | 4 | 85 | M10x16 | 60 | 60 | 120 | 170 | 120 | 20 | 145 | 156 | 206 | 36 | 23 | 14 |
| 07 | 50 | 100 | 75 | 8 | 80 | M16 | 14 | 53.5 | 165 | 115 | 140 | 5 | 105 | M12x18 | 70 | 70 | 140 | 210 | 150 | 25 | 180 | 185 | 255 | 45 | 28 | 18 |

Dimensions in [mm] $d \leq 50$ mm: k6 $d > 50$ mm: m6 * Observe dimension k_2 ** See page 8-34 for more built-on accessories for motors

Dimensions - Helical-worm gearboxes

Geared servo motors with resolver



| Geared servo motor | | S (synchronous servo motors) | | | | | A (asynchronous servo motors) | | | | | | | | | |
|--------------------|--|------------------------------|-------|-----|-------|-----|-------------------------------|-----|----------------|-----|-----|-----|-----|-----|-----|-----|
| GSS□□ - 3 AS VAK | | 056 | | 071 | | | 056 | 071 | 080 | | | | | | | |
| | | C23 | C33 | C03 | C13 | C33 | C22 | C22 | C22 | | | | | | | |
| Motor | g | 102 | 102 | 131 | 131 | 131 | 102 | 131 | 142 | | | | | | | |
| | g_1 | 90 | 90 | 102 | 102 | 102 | 90 | 102 | 109 | | | | | | | |
| | k_2 | 145 | 145 | 145 | 145 | 145 | 145 | 145 | 180 | | | | | | | |
| | k_1 naturally ventilated | 207 | 242 | 215 | 250 | 285 | 258 | 267 | 307 | | | | | | | |
| | Δk^{**} naturally ventilated+brake | 27 | 27 | 35 | 35 | 35 | 25 | 35 | 33 | | | | | | | |
| | forced ventilated | - | - | 68 | 68 | 68 | - | 68 | 62 | | | | | | | |
| | forced ventilated+brake | - | - | 103 | 103 | 103 | - | 103 | 95 | | | | | | | |
| Gearbox size | Gearbox | | | | | | | | Overall length | | | | | | | |
| | o | o_1^* | p^* | h | h_1 | a | k_8 | q | k | | | | | | | |
| 05 | 209 | 230 | 205 | 125 | 80 | 13 | 40 | 103 | 500 | 535 | 508 | 543 | 578 | 551 | 560 | |
| 06 | 252 | 277 | 250 | 150 | 100 | 10 | 49 | 121 | 557 | 592 | 565 | 600 | 635 | 608 | 617 | |
| 07 | 299 | 351 | 310 | 190 | 120 | 12 | 65 | 155 | 611 | 646 | 619 | 654 | 689 | 662 | 671 | 721 |

| Gearbox size | Solid shaft | | | | | | | | Output flange | | | | | | |
|--------------|-------------|-----|-------|-------|-------|-----|------|-------|----------------|-------|-------|-------|-------|--------|--|
| | d | l | l_1 | l_2 | d_2 | u | t | a_2 | b_2 j_7 | c_2 | e_2 | f_2 | i_2 | s_2 | |
| 05 | 30 | 60 | 6 | 45 | M10 | 8 | 33 | 200 | 130 | 12 | 165 | 3.5 | 60 | 4 x 11 | |
| 06 | 40 | 80 | 7 | 63 | M16 | 12 | 43 | 250 | 180 | 15 | 215 | 4 | 80 | 4 x 14 | |
| 07 | 50 | 100 | 8 | 80 | M16 | 14 | 53.5 | 250 | 180 | 15 | 215 | 4 | 100 | 4 x 14 | |
| | | | | | | | | 300 | 230 | 17 | 265 | | | | |

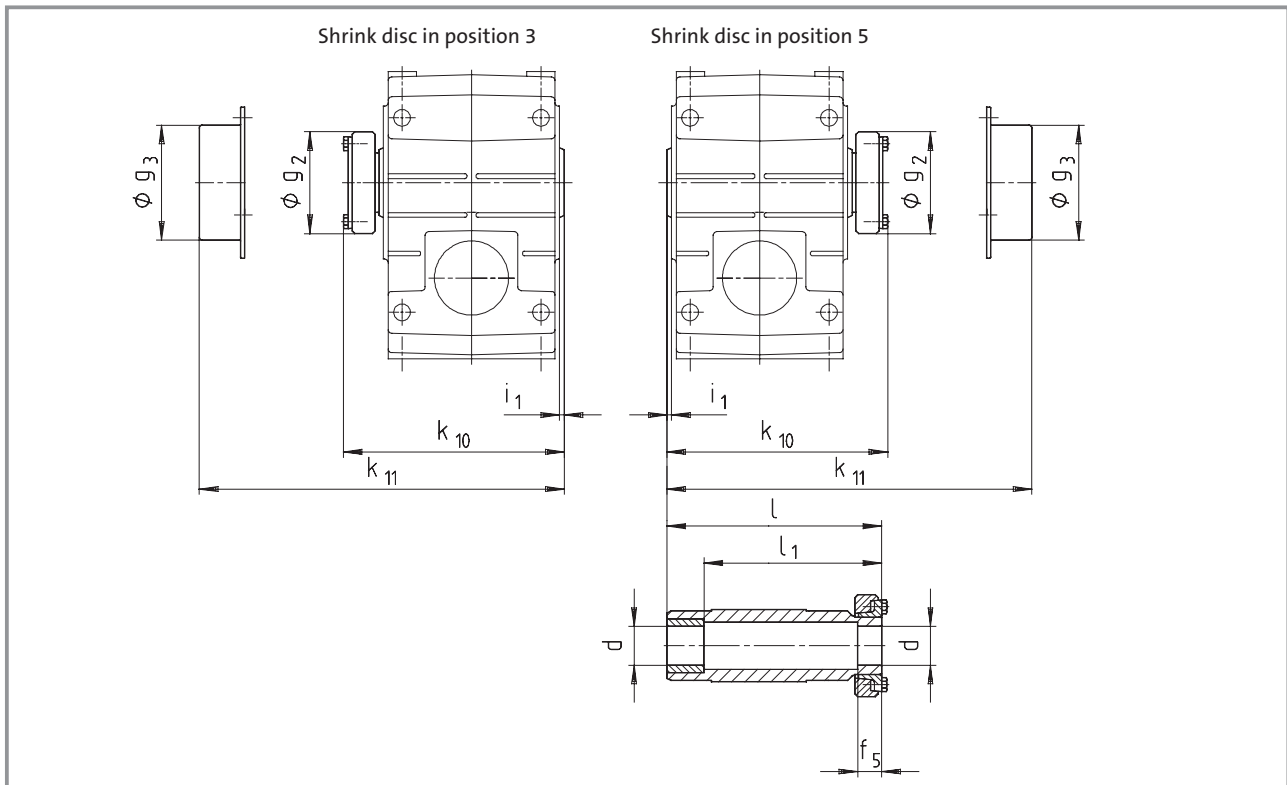
Dimensions in [mm] $d \leq 50$ mm: k6
 $d > 50$ mm: m6

* Observe dimension k_2

** See page 8-34 for more built-on accessories for motors



Hollow shaft with shrink disc

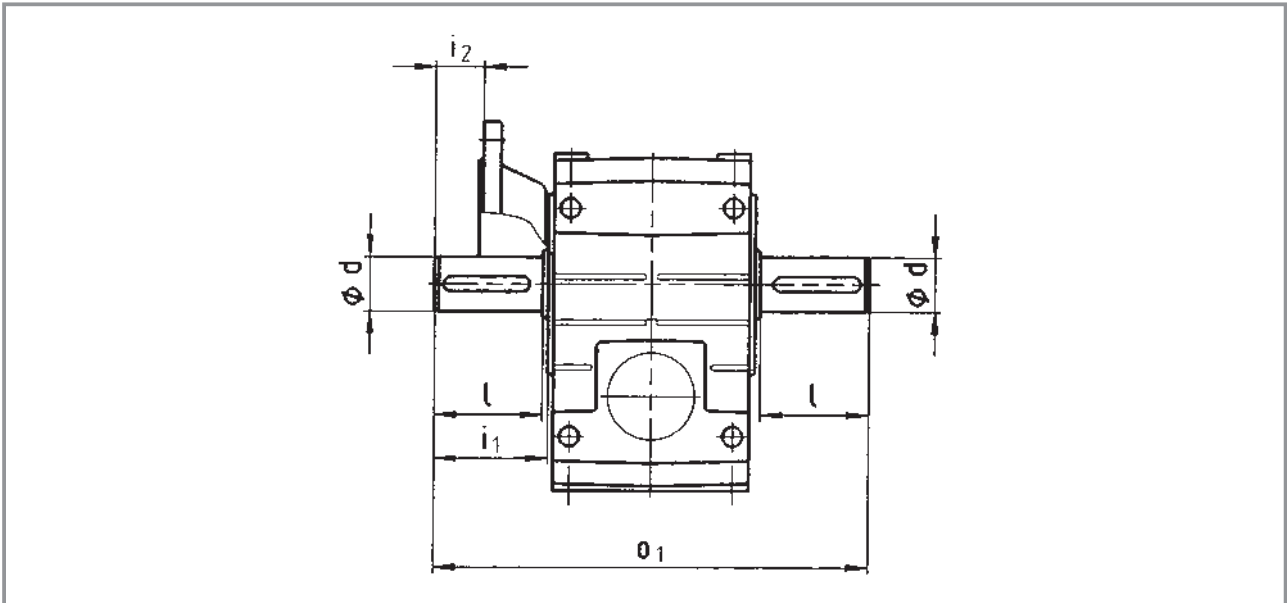


| Gearbox size | Machine shaft * | | Hollow shaft with shrink disc | | | | | | Cover | |
|--------------|-----------------|-----|-------------------------------|-------|----------|-----|-------|-------|-------|----------|
| | d | Fit | i_1 | g_2 | k_{10} | l | l_1 | f_5 | g_3 | k_{11} |
| 04 | 25 | h6 | 2.5 | 72 | 147.5 | 142 | 122 | 26 | 79 | 154 |
| | 30 | | | | | | | | | |
| 05 | 35 | h6 | 4 | 80 | 173.5 | 168 | 148 | 28 | 90 | 179 |
| 06 | 40 | h6 | 5 | 90 | 199.5 | 194 | 164 | 30 | 100 | 204 |
| 07 | 50 | h6 | 5 | 110 | 237.5 | 232 | 192 | 26 | 124 | 244 |

Dimensions in [mm]

*Ensure that the strength of the shaft material is adequate in shrink disc designs. When using typical steels (e.g. C45, 42CrMo4), the torques listed in the selection tables can be used without restriction. When using material that is considerably weaker, please consult with us. Medium surface roughness R_z must not exceed $15 \mu\text{m}$ (turning operation is sufficient).

Gearbox with 2nd output shaft end

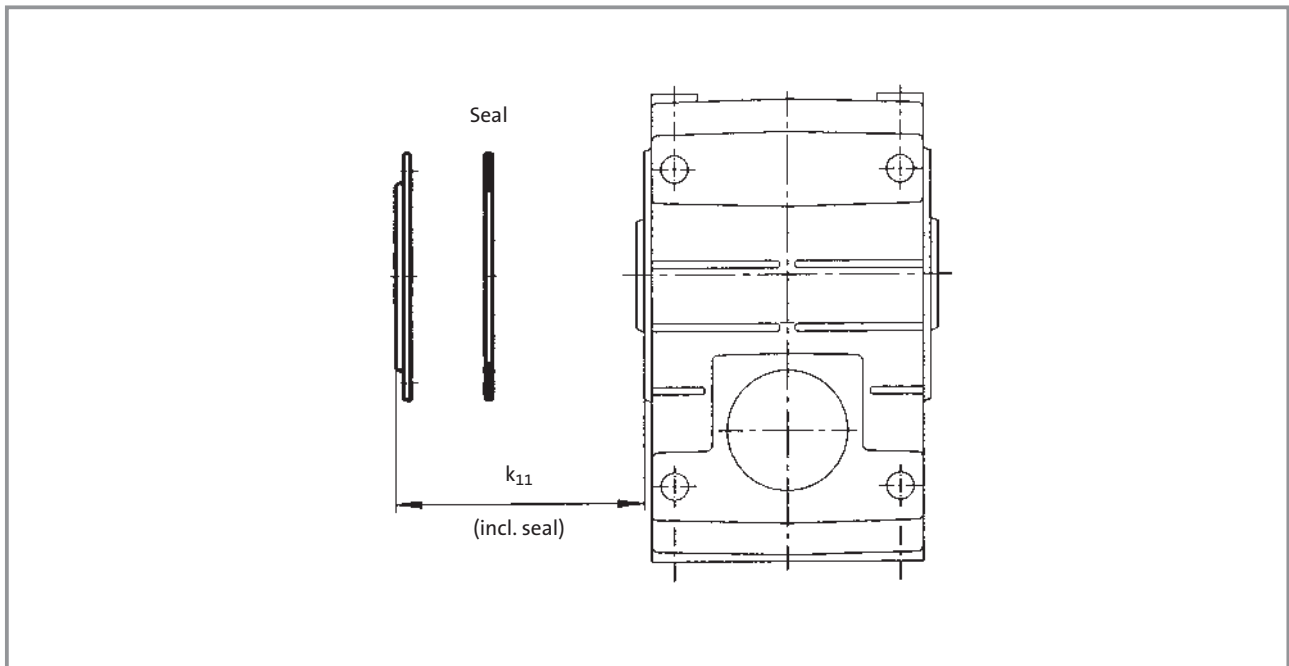


| Gearbox size | d | l | i ₁ | i ₂ | o ₁ |
|--------------|----|-----|----------------|----------------|----------------|
| 04 | 25 | 50 | 52.5 | 17 | 215 |
| 05 | 30 | 60 | 64 | 27 | 260 |
| 06 | 40 | 80 | 85 | 39 | 320 |
| 07 | 50 | 100 | 105 | 45 | 400 |

Dimensions in [mm]



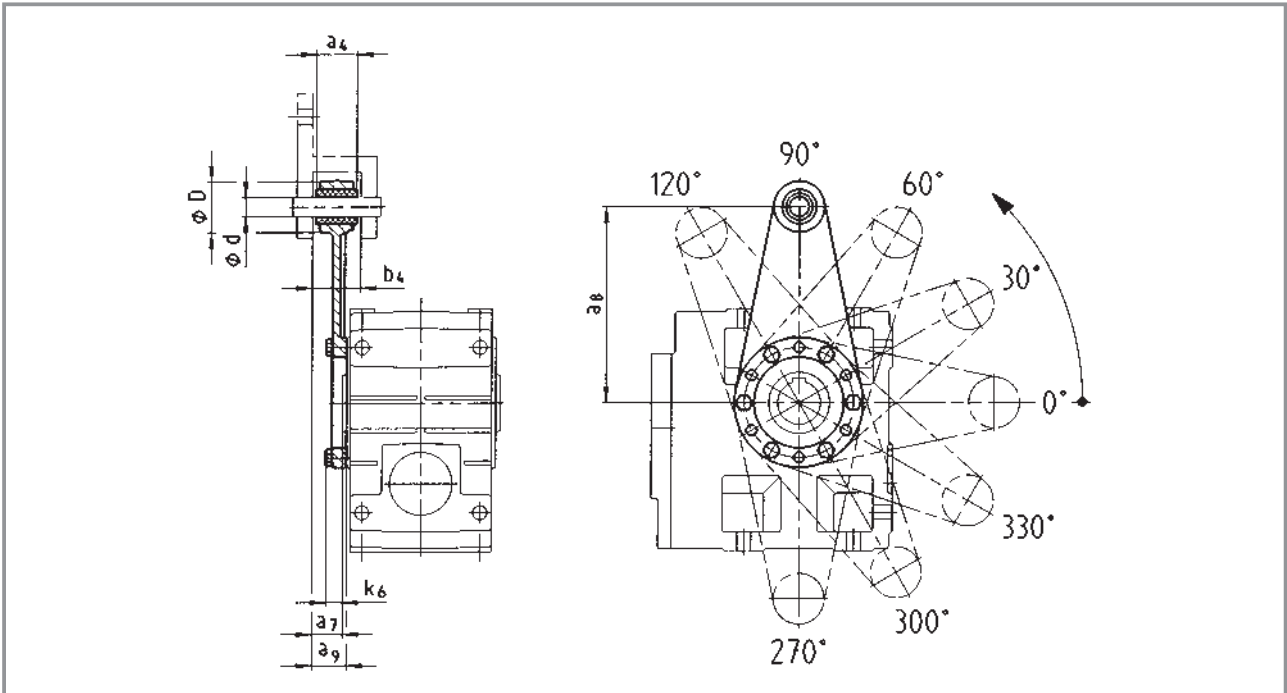
Hoseproof hollow shaft cover



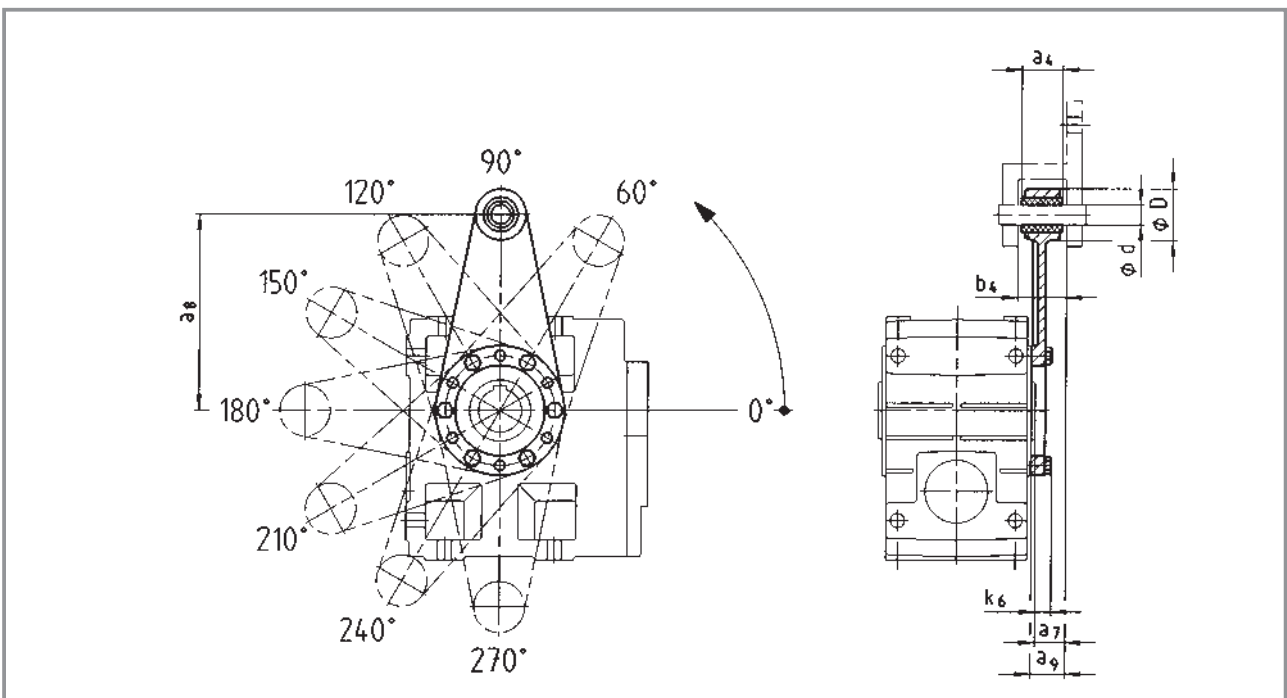
| Gearbox size | Cover k_{11} |
|--------------|----------------|
| 04 | 9 |
| 05 | 10 |
| 06 | 11 |
| 07 | 11 |

Dimensions in [mm]

Torque plate at pitch circle in position 3



Torque plate at pitch circle in position 5

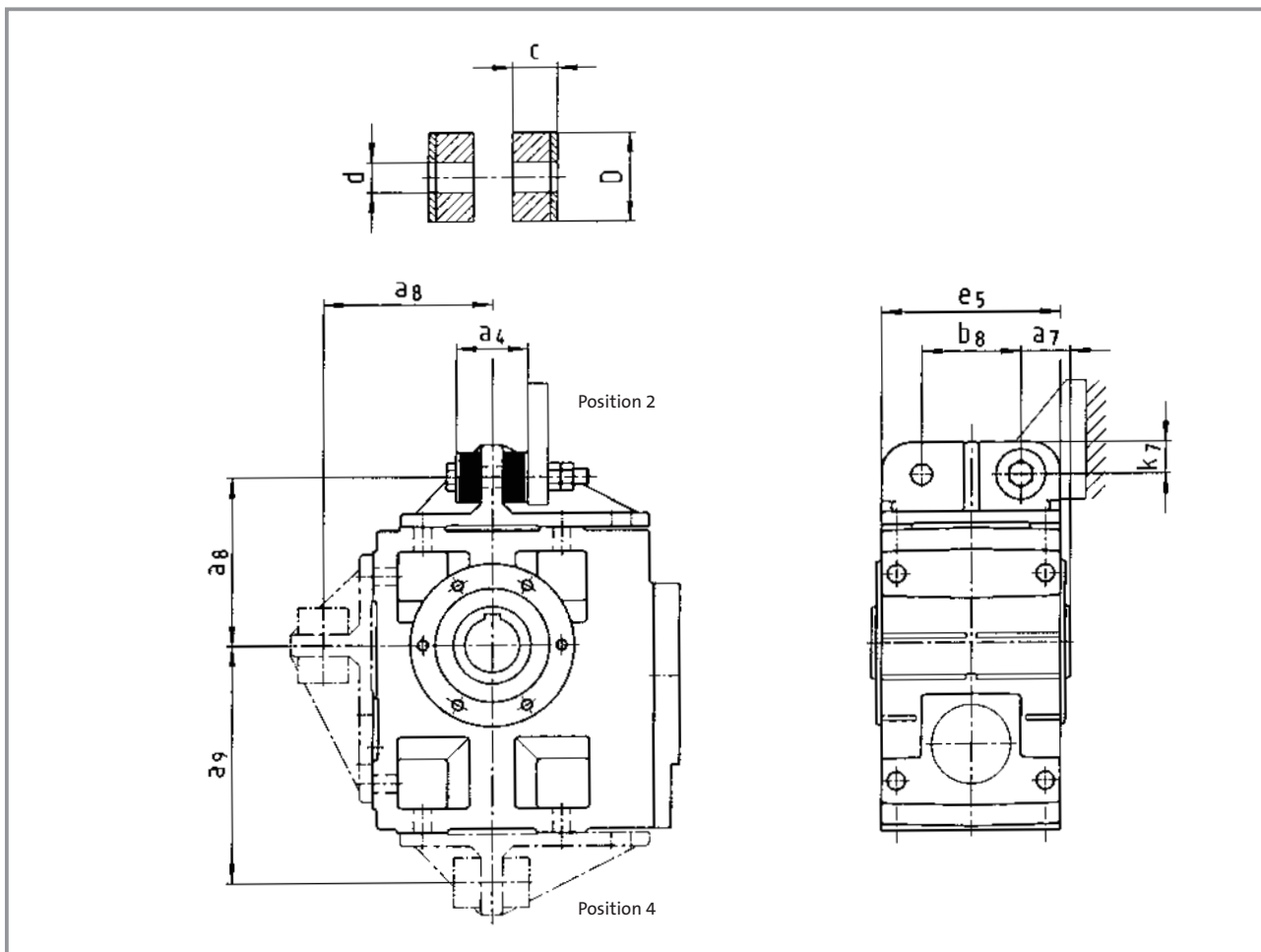


| Gearbox size | Assembly space | | Torque plate | | | | | | |
|--------------|----------------|----------------|----------------|----------------|----------------|----|----|----------------|--|
| | a ₇ | b ₄ | a ₄ | a ₈ | a ₉ | d | D | k ₆ | |
| 04 | 24 | 34.5 | 30 | 130 | 26.5 | 12 | 35 | 16 | |
| 05 | 23.5 | 38.5 | 34 | 160 | 27.5 | 16 | 45 | 15 | |
| 06 | 28 | 44.5 | 40 | 200 | 33 | 20 | 50 | 18 | |
| 07 | 32.5 | 50.5 | 46 | 250 | 37.5 | 25 | 65 | 21 | |

Dimensions in [mm]



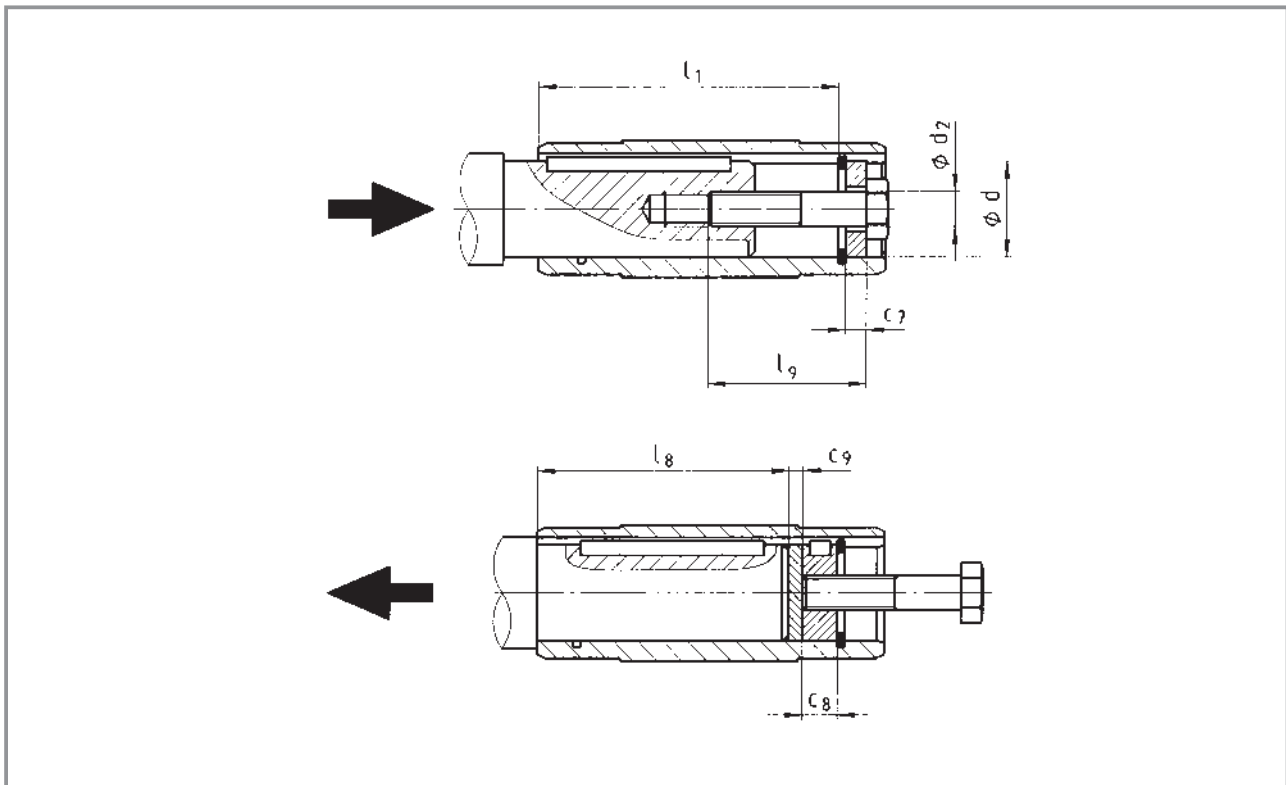
Torque plate on housing foot



| Gearbox size | a ₄ | a ₇ | a ₈ | a ₉ | b ₈ | c | d | D | e ₅ | k ₇ |
|--------------|----------------|----------------|----------------|----------------|----------------|------|----|----|----------------|----------------|
| 04 | 41 | 27.5 | 106 | 135 | 60 | 14.5 | 11 | 30 | 100 | 20 |
| 05 | 45 | 35 | 115 | 160 | 70 | 15 | 13 | 40 | 127 | 25 |
| 06 | 72 | 40 | 145 | 195 | 80 | 27 | 17 | 50 | 145 | 28 |
| 07 | 78 | 50 | 170 | 240 | 100 | 28 | 21 | 60 | 180 | 35 |

Dimensions in [mm]

Mounting set for hollow shaft circlip/proposed design for auxiliary tools



| Gearbox size | Hollow shaft (design H) | | | Mounting set for hollow shaft circlip (mounting auxiliary tool) | | | Dismounting auxiliary tool | | Machine shaft max l_8 |
|--------------|-------------------------|-------|-----------|--|----------|----------|-------------------------------|-------|----------------------------|
| | l | l_1 | d H7 | d_2 | l_9 | c_7 | c_8 | c_9 | |
| 04 | 115 | 100 | 25 30 | M10 M10 | 40 | 5 6 | 10 | 3 | 85 |
| 05 | 140 | 124 | 30 35 | M10 M12 | 40 50 | 6 7 | 10 12 | 3 | 107 |
| 06 | 160 | 140 | 40 45 | M16 | 60 | 8 9 | 16 | 4 | 118 |
| 07 | 200 | 175 | 50 55 | M16 M20 | 60 80 | 10 11 | 16 20 | 5 | 148 |

Dimensions in [mm]





Technical data

| | |
|------------------------------|------|
| Rated data | 8-2 |
| Synchronous servo motors | 8-2 |
| Asynchronous servo motors | 8-2 |
| Possible combinations with | |
| drive controllers | 8-3 |
| Torque characteristics | 8-5 |
| Synchronous servo motors | 8-5 |
| Asynchronous servo motors | 8-7 |
| Built-on accessories | 8-17 |
| Blower | 8-17 |
| Brake | 8-18 |
| Phase angle sensor and tacho | |
| generator | 8-20 |
| Resolver | 8-20 |
| SinCos encoder | 8-21 |
| Incremental encoder | 8-21 |
| Temperature sensor | 8-22 |
| Motor connection | 8-24 |
| Connector | 8-24 |
| Terminal box | 8-26 |
| Resolver as feedback | 8-27 |
| Incremental encoder | 8-27 |
| PG screwed connections | 8-27 |
| Connection plan | 8-28 |
| Global Drive system cables | 8-29 |
| Motor cables | 8-30 |
| Cables suitable for trailing | 8-31 |
| Blower cables | 8-32 |
| Resolver/Encoder cables | 8-33 |

Dimensions

| | |
|-------------------------------------|------|
| Built-on accessories for motors and | |
| Connectors for motor connection | 8-34 |
| Motor connection for terminal box | 8-36 |
| Angle socket box and connector | 8-37 |

Synchronous servo motors (surface-ventilated)

| Motor type | Torque at 3000 rpm M_{N3000} [Nm] | Speed n_r [rpm] | Torque M_r [Nm] | Power P_r [kW] | Voltage $U_{r3\sim}$ [V] | Current I_r [A] | M_0 [Nm] | I_0 [A] | Maximum torque ⁶⁾ M_{max} [Nm] | Maximum current I_{max} [A] | Frequency f_r [Hz] | Mass inertia $J_{mot}^{1)}$ [kgm ²] |
|----------------------|---|-------------------------|-------------------------|------------------------|--------------------------------|-------------------------|---------------|--------------|---|--|----------------------------|--|
| naturally ventilated | | | | | | | | | | | | |
| MDSKS□□ 056-23 190 | 2.9 | 3800 | 2.8 | 1.1 | 330 | 2.3 | 3.2 | 2.6 | 11.6 | 10 | 190 | 1.20E-04 |
| MDSKS□□ 056-33 200 | 4.3 | 4000 | 4.2 | 1.8 | 325 | 3.6 | 4.7 | 4.0 | 17.2 | 16 | 200 | 1.80E-04 |
| MDSKS□□ 071-03 170 | 5.9 | 3400 | 5.7 | 2.0 | 330 | 4.2 | 6.7 | 4.9 | 23.6 | 19 | 170 | 6.00E-04 |
| MDSKS□□ 071-13 185 | 8.8 | 3700 | 8.3 | 3.2 | 325 | 7.0 | 10.0 | 8.4 | 35.2 | 32 | 185 | 8.00E-04 |
| MDSKS□□ 071-33 180 | 12.7 | 3600 | 12.3 | 4.6 | 325 | 10.0 | 14.7 | 11.9 | 52.0 | 45 | 180 | 1.00E-03 |
| forced ventilated | | | | | | | | | | | | |
| MDFKS□□ 071-03 165 | 7.7 | 3300 | 7.5 | 2.6 | 330 | 5.6 | 8.8 | 6.6 | 23.6 | 19 | 165 | 6.00E-04 |
| MDFKS□□ 071-13 180 | 11.7 | 3600 | 11.0 | 4.1 | 325 | 9.2 | 13.3 | 11.1 | 35.2 | 32 | 180 | 8.00E-04 |
| MDFKS□□ 071-33 175 | 17.0 | 3500 | 16.2 | 5.9 | 325 | 13.1 | 19.3 | 15.6 | 52.0 | 45 | 175 | 1.00E-03 |

Asynchronous servo motors (surface-ventilated)

| Motor type | n_r [rpm] | M_r [Nm] | $P_{r5)}$ [kW] | $U_{r3\sim}$ [V] | I_r [A] | M_0 [Nm] | I_0 [A] | $M_{max6)}$ [Nm] | n_{max} [rpm] | f_r [Hz] | $\cos\varphi_r$ | $J_{mot}^{1)}$ [kgm ²] |
|----------------------|----------------|---------------|-------------------|---------------------|--------------|---------------|--------------|---------------------|--------------------|---------------|-----------------|---------------------------------------|
| naturally ventilated | | | | | | | | | | | | |
| MDSKA□□ 056-22 140 | 3950 | 2.0 | 0.8 | 390 | 2.4 | 2.3 | 2.55 | 10 | 8000 | 140 | 0.70 | 2.40E-04 |
| MDSKA□□ 071-22 140 | 4050 | 4.0 | 1.7 | 390 | 4.4 | 4.6 | 4.6 | 32 | 8000 | 140 | 0.76 | 8.30E-04 |
| MDSKA□□ 080-22 70 | 2000 | 6.7 | 1.4 | 390 | 3.3 | 8.0 | 3.85 | 60 | 8000 | 70 | 0.75 | 1.92E-03 |
| MDSKA□□ 080-22 140 | 4100 | 5.4 | 2.3 | 390 | 5.8 | 8.0 | 7.7 | 60 | 8000 | 140 | 0.75 | 1.92E-03 |
| MDSKA□□ 090-22 80 | 2300 | 10.8 | 2.6 | 390 | 5.5 | 12.8 | 6.0 | 100 | 8000 | 80 | 0.81 | 3.60E-03 |
| MDSKA□□ 090-22 140 | 4110 | 9.5 | 4.1 | 350 | 10.2 | 12.8 | 12.0 | 100 | 8000 | 140 | 0.80 | 3.60E-03 |
| MDSKA□□ 100-22 80 | 2340 | 16.3 | 4.0 | 390 | 8.2 | 22.5 | 9.85 | 180 | 8000 | 80 | 0.80 | 7.20E-03 |
| MDSKA□□ 100-22 140 | 4150 | 12.0 | 5.2 | 330 | 14.0 | 22.5 | 19.7 | 180 | 8000 | 140 | 0.78 | 7.20E-03 |
| MDSKA□□ 112-22 85 | 2490 | 24.6 | 6.4 | 390 | 13.5 | 39 | 15.9 | 300 | 8000 | 85 | 0.83 | 1.80E-02 |
| MDSKA□□ 112-22 140 | 4160 | 17.0 | 7.4 | 320 | 19.8 | 39 | 31.8 | 300 | 8000 | 140 | 0.80 | 1.80E-02 |
| forced ventilated | | | | | | | | | | | | |
| MDFKA□□ 071-22 120 | 3410 | 6.3 | 2.2 | 390 | 6.0 | 7.0 | 6.3 | 32 | 8000 | 120 | 0.75 | 8.30E-04 |
| MDFKA□□ 080-22 60 | 1635 | 12.0 | 2.1 | 390 | 4.8 | 13.5 | 5.25 | 60 | 8000 | 60 | 0.81 | 1.92E-03 |
| MDFKA□□ 080-22 120 | 3455 | 10.8 | 3.9 | 390 | 9.1 | 13.5 | 10.5 | 60 | 8000 | 120 | 0.80 | 1.92E-03 |
| MDFKA□□ 090-22 60 | 1680 | 21.5 | 3.8 | 390 | 8.5 | 23.9 | 9.05 | 100 | 8000 | 60 | 0.80 | 3.60E-03 |
| MDFKA□□ 090-22 120 | 3480 | 19.0 | 6.9 | 390 | 15.8 | 23.9 | 18.1 | 100 | 8000 | 120 | 0.80 | 3.60E-03 |
| MDFKA□□ 100-22 60 | 1700 | 36.3 | 6.4 | 390 | 13.9 | 40.0 | 15.4 | 180 | 8000 | 60 | 0.83 | 7.20E-03 |
| MDFKA□□ 100-22 120 | 3510 | 36.0 | 13.2 | 390 | 28.7 | 40.0 | 30.8 | 180 | 8000 | 120 | 0.80 | 7.20E-03 |
| MDFKA□□ 112-22 60 | 1710 | 61.4 | 11.0 | 390 | 22.5 | 75 | 25.8 | 300 | 8000 | 60 | 0.85 | 1.80E-02 |
| MDFKA□□ 112-22 120 | 3520 | 55.0 | 20.3 | 390 | 42.5 | 75 | 49.5 | 300 | 8000 | 120 | 0.80 | 1.80E-02 |

1) Without brake, with resolver

5) At U_r , $P = P_r$ up to $2.3 \cdot n_r$

6) Magnetically/mechanically permissible torque

Technical data - Servo motors

Possible combinations with drive controllers



Motor/drive assignment Servo motors – 9300 servo inverter range, 8 kHz chopper frequency

| | | | | Possible combinations and default setting $I_{max} = 1.5 I_n$ maximum torques in Nm | | | | | | | | | | Possible combinations and operating mode acceleration controller maximum torques in Nm | | | | | |
|--|----------------------|------------|-------|---|------|------|------|------|-------|------|------|------|-------|--|-------|------|------|------|------|
| | | | | Chopper frequency f_{chopp} $f_{chopp} = 8 \text{ KHz}$ | | | | | | | | | | | | | | | |
| Drive type | | | | 9321 | 9322 | 9323 | 9324 | 9325 | 9326 | 9327 | 9328 | 9329 | 9330 | 9331 | 9332 | 9321 | 9322 | 9323 | 9324 |
| Continuous current $I_{C,r}$ [A] | | | | 1.5 | 2.5 | 3.9 | 7.0 | 13 | 23.5 | 32 | 47 | 59 | 89 | 110 | 145 | 1.05 | 1.7 | 2.6 | 4.7 |
| Maximum current $I_{C,max}$ [A] | | | | 2.3 | 3.8 | 5.9 | 10.5 | 19.5 | 35.25 | 48 | 70.5 | 88.5 | 133.5 | 165 | 217.5 | 3 | 5 | 7.8 | 14 |
| Motor type [Nm] | $M_n \cdot 3000$ [A] | I_r [Nm] | M_r | | | | | | | | | | | | | | | | |
| Synchronous servo motors naturally ventilated | | | | | | | | | | | | | | | | | | | |
| MDSKS□□ 056-23 190 | 2.9 | 2.3 | 2.8 | 2.8 | 4.6 | 7.0 | | | | | | | | | | 3.7 | 6.0 | 9.2 | |
| MDSKS□□ 056-33 200 | 4.3 | 3.6 | 4.2 | | 4.4 | 6.9 | 11.7 | | | | | | | | | | 5.8 | 9.0 | 15.2 |
| MDSKS□□ 071-03 170 | 5.9 | 4.2 | 5.7 | | | 8.0 | 13.8 | 23.6 | | | | | | | | | | 10.6 | 17.8 |
| MDSKS□□ 071-13 185 | 8.8 | 7 | 8.3 | | | 7.0 | 12.5 | 22.3 | 35.2 | | | | | | | | | 9.2 | 16.6 |
| MDSKS□□ 071-33 180 | 13 | 10 | 12.3 | | | | 12.9 | 24.0 | 41.4 | | | | | | | | | | 17.2 |
| forced ventilated | | | | | | | | | | | | | | | | | | | |
| MDFKS□□ 071-03 165 | 7.7 | 5.6 | 7.5 | | | 8.0 | 13.8 | 23.5 | | | | | | | | | | 10.6 | 17.8 |
| MDFKS□□ 071-13 180 | 11.7 | 9.2 | 11.0 | | | | 12.5 | 21.8 | 35.2 | | | | | | | | | | 16.6 |
| MDFKS□□ 071-33 175 | 17 | 13.1 | 16.2 | | | | 12.9 | 24.0 | 41.4 | | | | | | | | | | 17.2 |

Motor/drive assignment Servo motors – 9300 servo inverter range, 8 kHz chopper frequency

| | | | | Possible combinations and maximum torques in Nm | | | | | | | | | | | | | | | |
|---|------------|------------|-----------|---|------|------|------|------|-------|-------|-------|-------|-------|-------|-------|--|--|--|--|
| | | | | Chopper frequency $f_{chopp} = 8 \text{ KHz}$ | | | | | | | | | | | | | | | |
| Drive type | | | | 9321 | 9322 | 9323 | 9324 | 9325 | 9326 | 9327 | 9328 | 9329 | 9330 | 9331 | 9332 | | | | |
| Continuous current $I_{C,r}$ [A] | | | | 1.5 | 2.5 | 3.9 | 7.0 | 13 | 23.5 | 32 | 47 | 59 | 89 | 110 | 145 | | | | |
| Maximum current $I_{C,max}$ [A] | | | | 2.3 | 3.8 | 5.9 | 10.5 | 19.5 | 35.3 | 48 | 70.5 | 88.5 | 133.5 | 165 | 217.5 | | | | |
| Motor type | M_r [Nm] | P_r [kW] | I_r [A] | f_r [Hz] | | | | | | | | | | | | | | | |
| Asynchronous servo motors totally enclosed fan-cooled naturally ventilated | | | | | | | | | | | | | | | | | | | |
| MDSKA□□ 056-22 140 | 2.0 | 0.8 | 2.4 | 140 | | 4.45 | 7.3 | | | | | | | | | | | | |
| MDSKA□□ 071-22 140 | 4.0 | 1.7 | 4.4 | 140 | | | | 12.6 | 19.5 | | | | | | | | | | |
| MDSKA□□ 080-22 70 | 6.7 | 1.4 | 3.3 | 70 | | | 15.1 | 29.3 | | | | | | | | | | | |
| MDSKA□□ 080-22 140 | 5.4 | 2.3 | 5.8 | 140 | | | | 13.2 | 26.0 | | | | | | | | | | |
| MDSKA□□ 090-22 80 | 10.8 | 2.6 | 5.5 | 80 | | | | 24.4 | 46.2 | | | | | | | | | | |
| MDSKA□□ 090-22 140 | 9.5 | 4.1 | 10.2 | 140 | | | | 23.4 | 43.7 | 59.4 | | | | | | | | | |
| MDSKA□□ 100-22 80 | 16.3 | 4.0 | 8.2 | 80 | | | | 47.2 | 88.2 | | | | | | | | | | |
| MDSKA□□ 100-22 140 | 12.0 | 5.2 | 14.0 | 140 | | | | 20.7 | 43.3 | 60.7 | | | | | | | | | |
| MDSKA□□ 112-22 85 | 24.6 | 6.4 | 13.5 | 85 | | | | 46.2 | 78.0 | 92.4 | | | | | | | | | |
| MDSKA□□ 112-22 140 | 17.0 | 7.4 | 19.8 | 140 | | | | | 43.9 | 63.3 | 96.8 | 123.0 | | | | | | | |
| forced ventilated | | | | | | | | | | | | | | | | | | | |
| MDFKA□□ 071-22 120 | 6.3 | 2.2 | 6.0 | 120 | | | | 13.0 | 25.0 | | | | | | | | | | |
| MDFKA□□ 080-22 60 | 12.0 | 2.1 | 4.8 | 60 | | | | 29.6 | | | | | | | | | | | |
| MDFKA□□ 080-22 120 | 10.8 | 3.9 | 9.1 | 120 | | | | | 29.3 | 53.8 | | | | | | | | | |
| MDFKA□□ 090-22 60 | 21.5 | 3.8 | 8.5 | 60 | | | | | 57.2 | | | | | | | | | | |
| MDFKA□□ 090-22 120 | 19.0 | 6.9 | 15.8 | 120 | | | | | 50.7 | 69.2 | 100.2 | | | | | | | | |
| MDFKA□□ 100-22 60 | 36.3 | 6.4 | 13.9 | 60 | | | | | 50.1 | 95.9 | 130.8 | | | | | | | | |
| MDFKA□□ 100-22 120 | 36.0 | 13.2 | 28.7 | 120 | | | | | 45.7 | 67.6 | 104.3 | 132.9 | 180.0 | | | | | | |
| MDFKA□□ 112-22 60 | 61.4 | 11.0 | 22.5 | 60 | | | | | 104.1 | 143.3 | 211.0 | 257.0 | | | | | | | |
| MDFKA□□ 112-22 120 | 55.0 | 20.3 | 42.5 | 120 | | | | | | | 107.7 | 135.9 | 205.0 | 250.0 | | | | | |

Technical data - Servo motors

Possible combinations with drive controllers

Motor/drive assignment Servo motors – 9300 servo inverter range, 16 kHz chopper frequency (low noise)

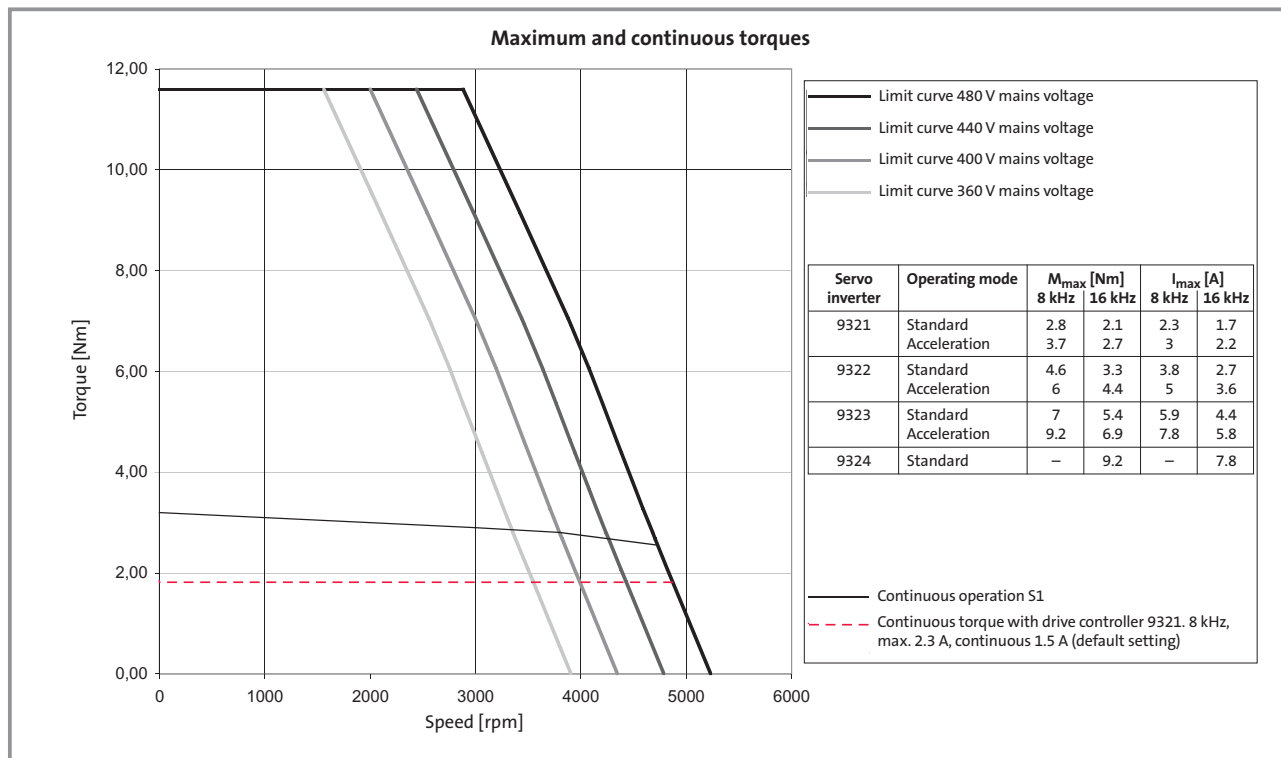
| Drive type | Possible combinations and default setting $I_{max} = 1.5 I_n$ maximum torques in Nm | | | | | | | | Possible combinations and operating mode acceleration controller maximum torques in Nm | | | |
|--|---|------------|------|------|------|------|------|------|--|------|------|--|
| | chopper frequency f_{chopp} $f_{chopp} = 16 \text{ KHz}$ | | | | | | | | chopper frequency $f_{chopp} = 16 \text{ KHz}$ | | | |
| Continuous current $I_{C,r}$ [A] | 9321 | 9322 | 9323 | 9324 | 9325 | 9326 | 9327 | 9321 | 9322 | 9323 | 9324 | |
| Maximum current $I_{C,max}$ [A] | 1.1 | 1.8 | 2.9 | 5.2 | 9.7 | 15.3 | 20.8 | 0.77 | 1.26 | 2.03 | 3.64 | |
| Motor type | I_r [A] | M_r [Nm] | | | | | | | | | | |
| Synchronous servo motors naturally ventilated | | | | | | | | | | | | |
| MDSKS□□ 056-23 190 | 2.3 | 2.8 | 2.1 | 3.3 | 5.4 | 9.2 | | | 2.7 | 4.4 | 6.9 | |
| MDSKS□□ 056-33 200 | 3.6 | 4.2 | | | 5.1 | 9.0 | 15.8 | | | | 11.6 | |
| MDSKS□□ 071-03 170 | 4.2 | 5.7 | | | 6.0 | 10.6 | 18.5 | | | 7.9 | 13.7 | |
| MDSKS□□ 071-13 185 | 7 | 8.3 | | | | 9.2 | 17.2 | 25.9 | 34.4 | | 12.3 | |
| MDSKS□□ 071-33 180 | 10 | 12.3 | | | | | 18.0 | 27.9 | 36.9 | | | |
| forced ventilated | | | | | | | | | | | | |
| MDFKS□□ 071-03 165 | 5.6 | 7.5 | | | | 10.6 | 18.5 | | | | 13.7 | |
| MDFKS□□ 071-13 180 | 9.2 | 11.0 | | | | 9.2 | 17.2 | 25.9 | 34.4 | | 12.3 | |
| MDFKS□□ 071-33 175 | 13.1 | 16.2 | | | | | 18.0 | 27.9 | 36.9 | | | |

Motor/drive assignment Servo motors – 9300 servo inverter range, 16 kHz chopper frequency (low noise)

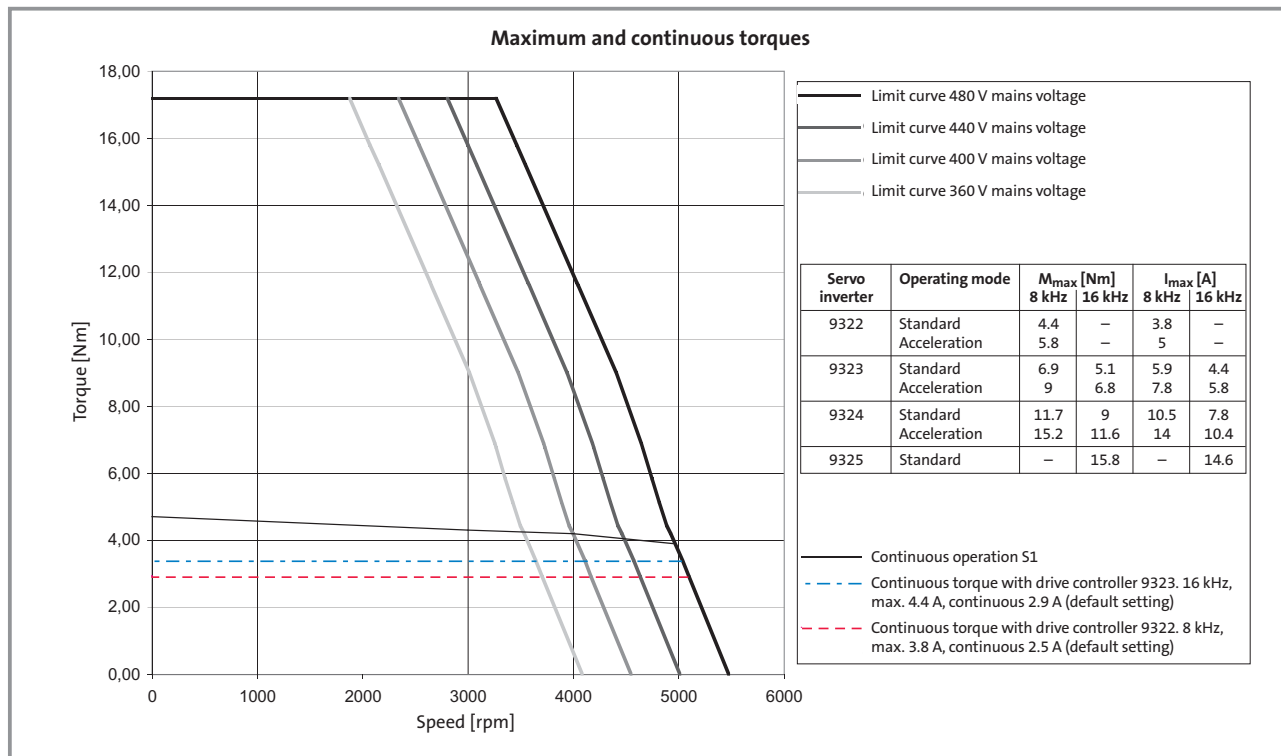
| Drive type | Possible combinations and maximum torques in Nm | | | | | | | | | | | | | |
|---|---|------------|-----------|------------|------|------|------|------|------|------|-------|-------|-------|-------|
| | Chopper frequency $f_{chopp} = 16 \text{ KHz}$ | | | | | | | | | | | | | |
| Continuous current $I_{C,r}$ [A] | 9321 | 9322 | 9323 | 9324 | 9325 | 9326 | 9327 | 9328 | 9329 | 9330 | 9331 | 9332 | | |
| Maximum current $I_{C,max}$ [A] | 1.1 | 1.8 | 2.9 | 5.2 | 9.7 | 15.3 | 20.8 | 30.6 | 38 | 58 | 70 | 90 | | |
| Motor type | M_r [Nm] | P_r [kW] | I_r [A] | f_r [Hz] | | | | | | | | | | |
| Asynchronous servo motors totally enclosed fan-cooled naturally ventilated | | | | | | | | | | | | | | |
| MDSKA□□ 056-22 140 | 2.0 | 0.8 | 2.4 | 140 | | | 5.3 | | | | | | | |
| MDSKA□□ 071-22 140 | 4.0 | 1.7 | 4.4 | 140 | | | 9.2 | 17.3 | | | | | | |
| MDSKA□□ 080-22 70 | 6.7 | 1.4 | 3.3 | 70 | | | 21.2 | | | | | | | |
| MDSKA□□ 080-22 140 | 5.4 | 2.3 | 5.8 | 140 | | | 9.1 | 19.1 | 30.8 | | | | | |
| MDSKA□□ 090-22 80 | 10.8 | 2.6 | 5.5 | 80 | | | 17.5 | 34.5 | 50.0 | | | | | |
| MDSKA□□ 090-22 140 | 9.5 | 4.1 | 10.2 | 140 | | | | 16.9 | 28.0 | 38.6 | 56.9 | | | |
| MDSKA□□ 100-22 80 | 16.3 | 4.0 | 8.2 | 80 | | | | 33.8 | 56.7 | 78.1 | | | | |
| MDSKA□□ 100-22 140 | 12.0 | 5.2 | 14.0 | 140 | | | | | 25.8 | 37.6 | 57.9 | | | |
| MDSKA□□ 112-22 85 | 24.6 | 6.4 | 13.5 | 85 | | | | | 55.8 | 71.4 | 90.3 | 97.5 | | |
| MDSKA□□ 112-22 140 | 17.0 | 7.4 | 19.8 | 140 | | | | | | 37.5 | 60.1 | 76.8 | 120.8 | |
| forced ventilated | | | | | | | | | | | | | | |
| MDFKA□□ 071-22 120 | 6.3 | 2.2 | 6.0 | 120 | | | | 19.0 | 26.3 | | | | | |
| MDFKA□□ 080-22 60 | 12.0 | 2.1 | 4.8 | 60 | | | 21.5 | | | | | | | |
| MDFKA□□ 080-22 120 | 10.8 | 3.9 | 9.1 | 120 | | | | 21.2 | 34.9 | 47.7 | | | | |
| MDFKA□□ 090-22 60 | 21.5 | 3.8 | 8.5 | 60 | | | | 42.0 | 67.9 | | | | | |
| MDFKA□□ 090-22 120 | 19.0 | 6.9 | 15.8 | 120 | | | | | 44.6 | 66.1 | 81.7 | | | |
| MDFKA□□ 100-22 60 | 36.3 | 6.4 | 13.9 | 60 | | | | | 60.5 | 84.3 | 125.2 | 150.7 | | |
| MDFKA□□ 100-22 120 | 36.0 | 13.2 | 28.7 | 120 | | | | | | 64.0 | 75.4 | 130.5 | 158.3 | |
| MDFKA□□ 112-22 60 | 61.4 | 11.0 | 22.5 | 60 | | | | | | 91.2 | 136.9 | 170.4 | 254.0 | |
| MDFKA□□ 112-22 120 | 55.0 | 20.3 | 42.5 | 120 | | | | | | | | 133.6 | 161.1 | 206.0 |



MDSKS□□ 056-23 190 (naturally ventilated)



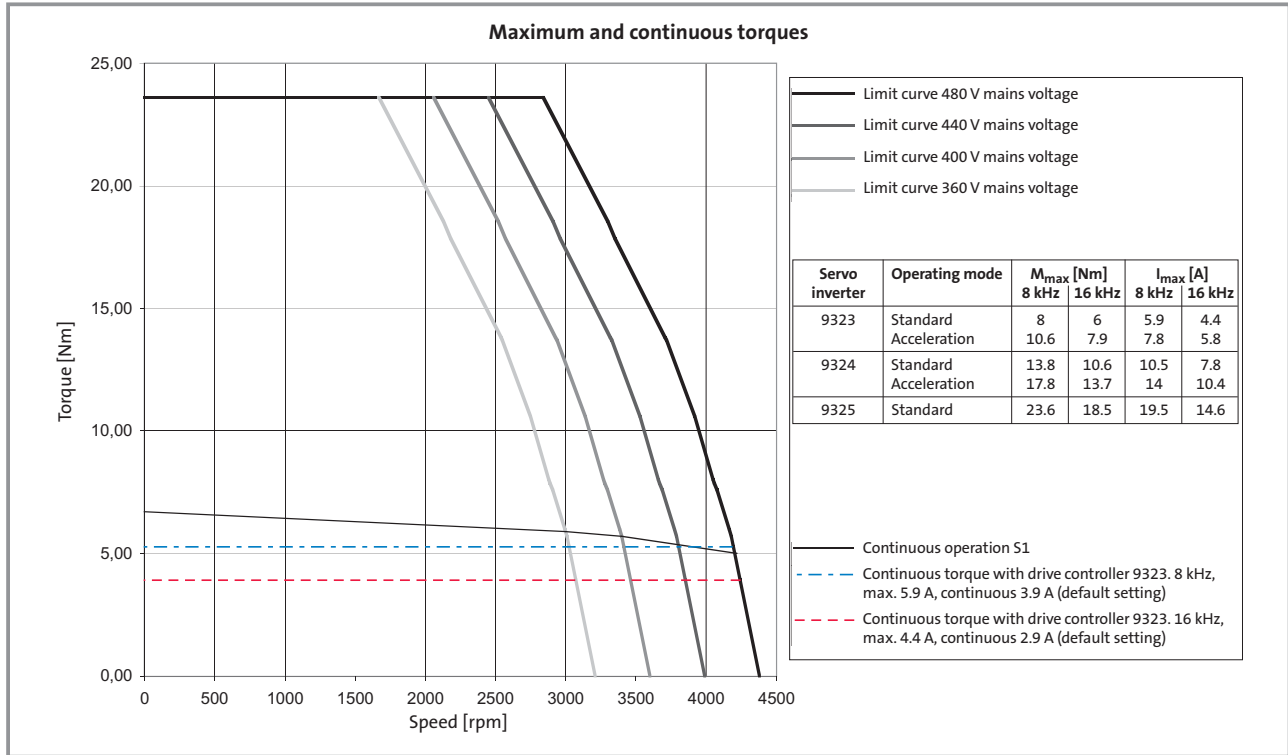
MDSKS□□ 056-33 200 (naturally ventilated)



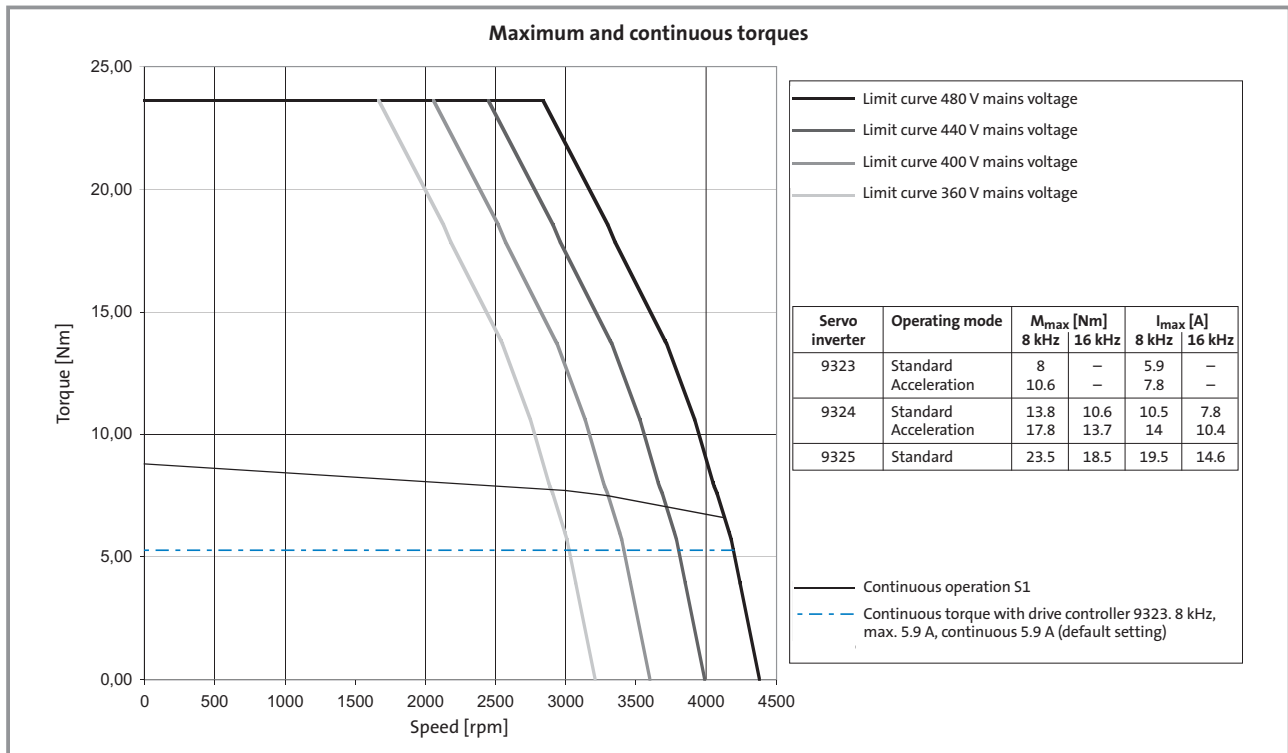
Technical data - Servo motors

Torque characteristics/Synchronous servo motors

MDSKS□□ 071-03 170 (naturally ventilated)

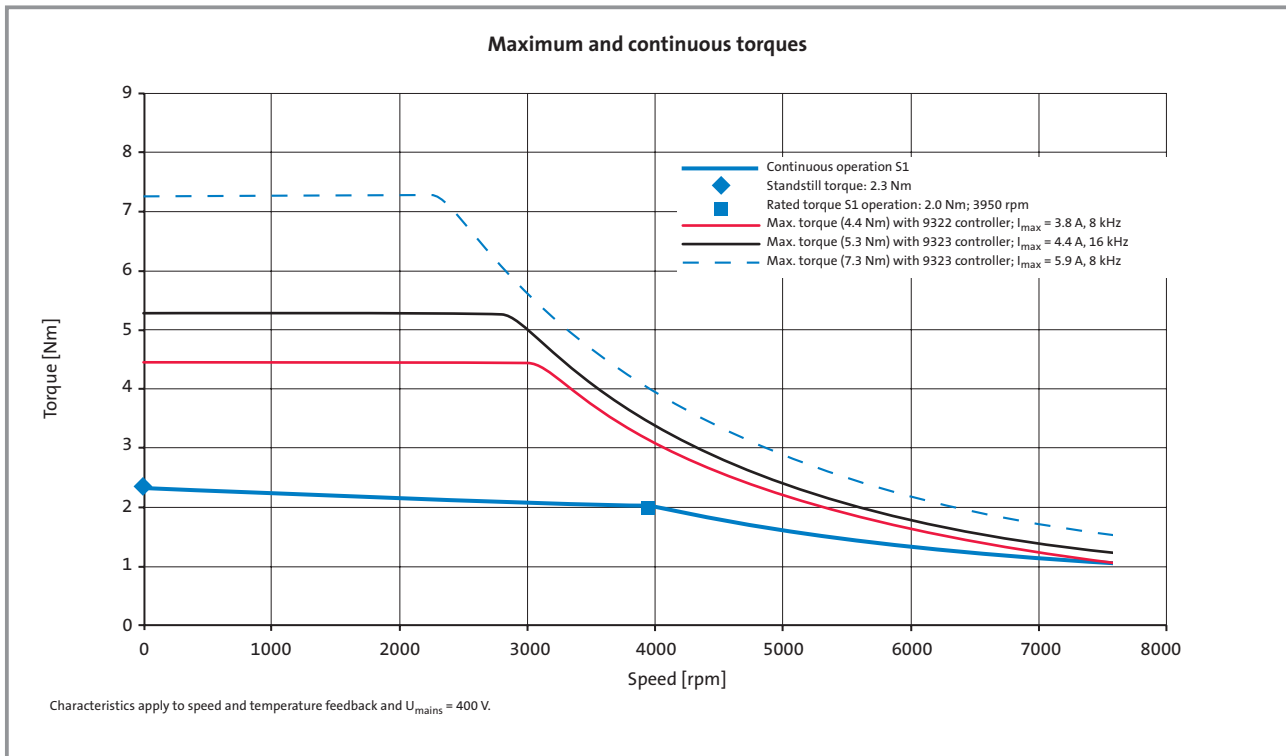


MDFKS□□ 071-03 165 (naturally ventilated)





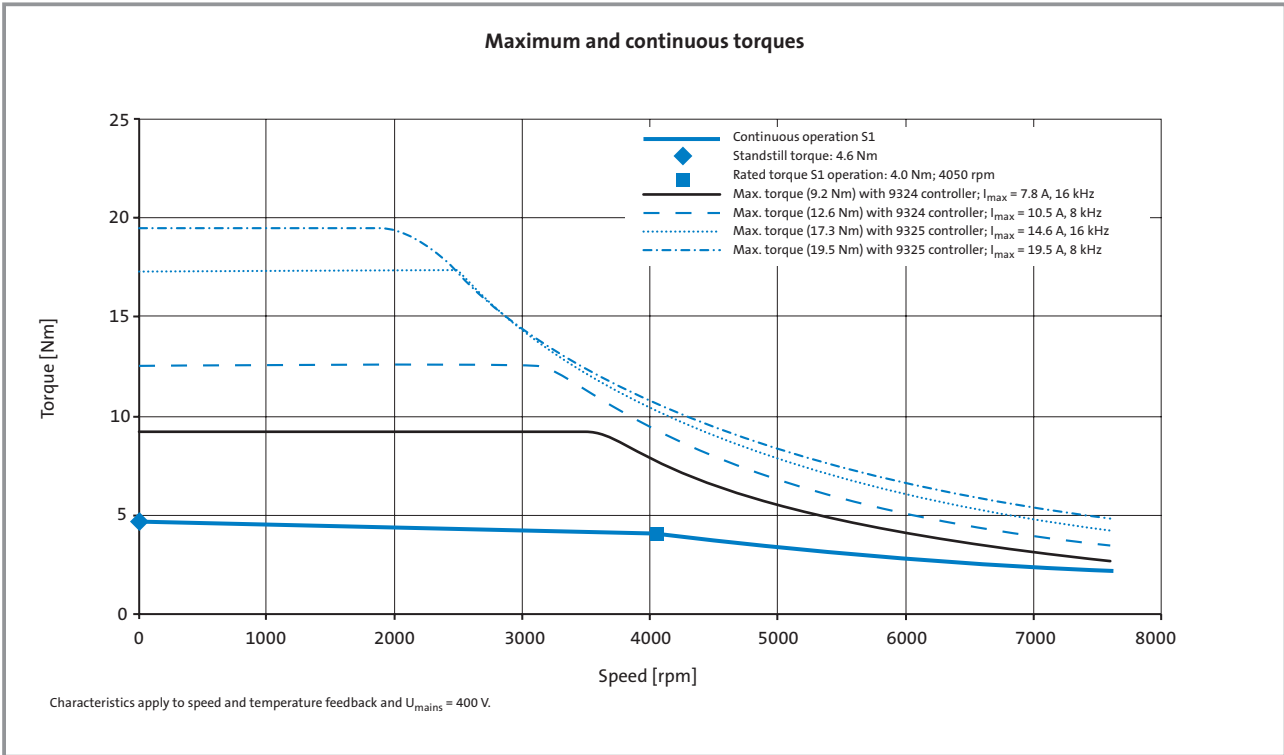
MDSKA□□ 056-22 140 (naturally ventilated)



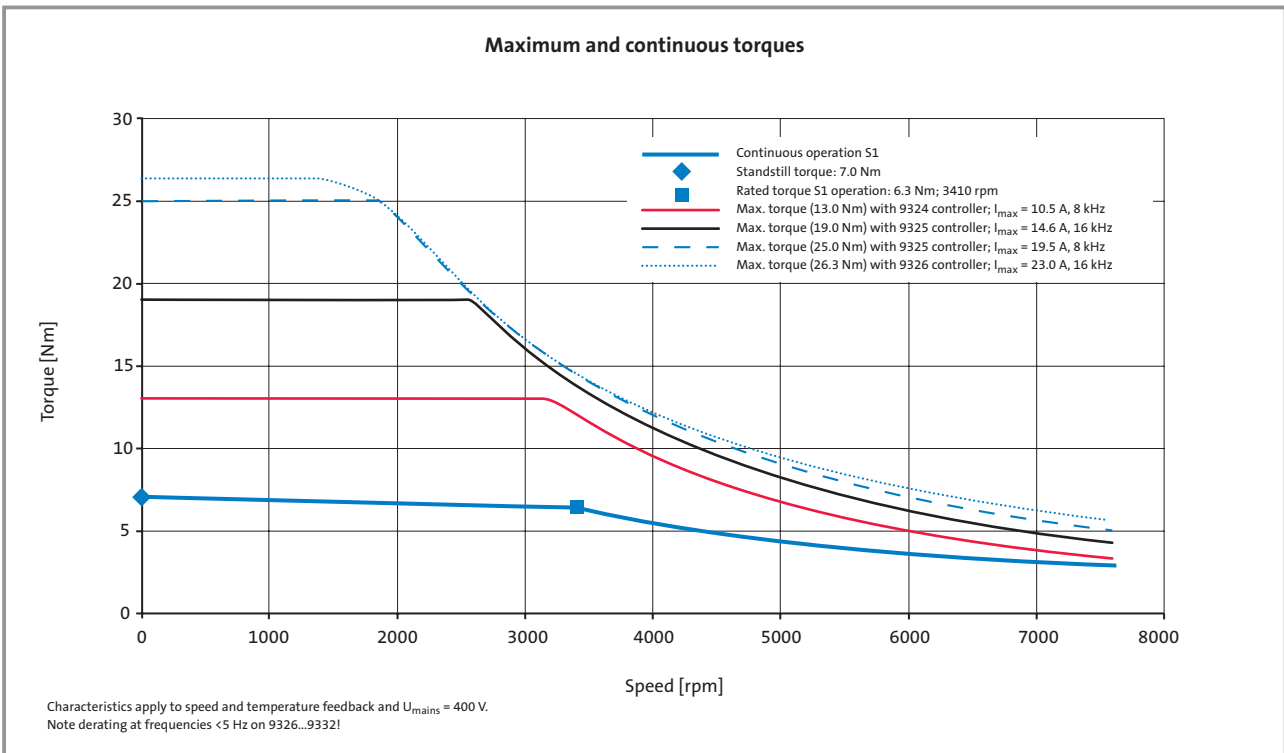
Technical data - Servo motors

Torque characteristics/Asynchronous servo motors

MDSKA□□ 071-22 140 (naturally ventilated)



MDFKA□□ 071-22 120 (forced ventilated)

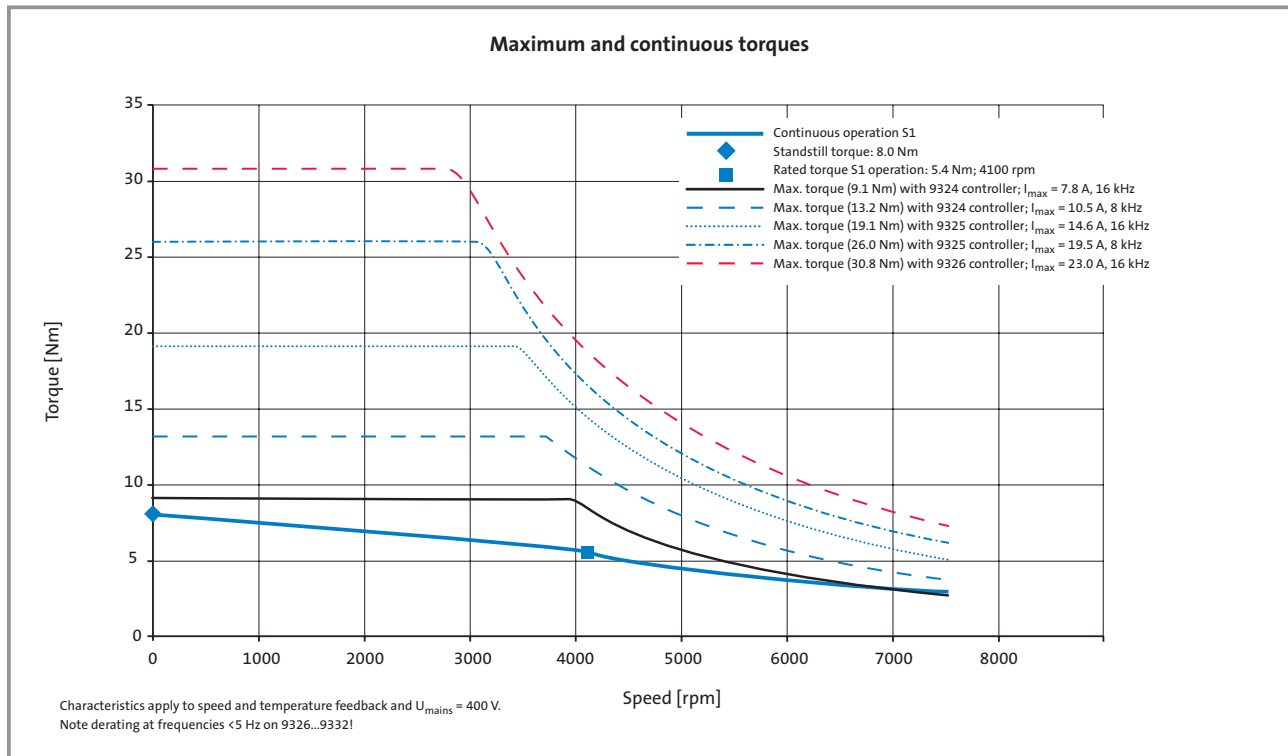


Technical data - Servo motors

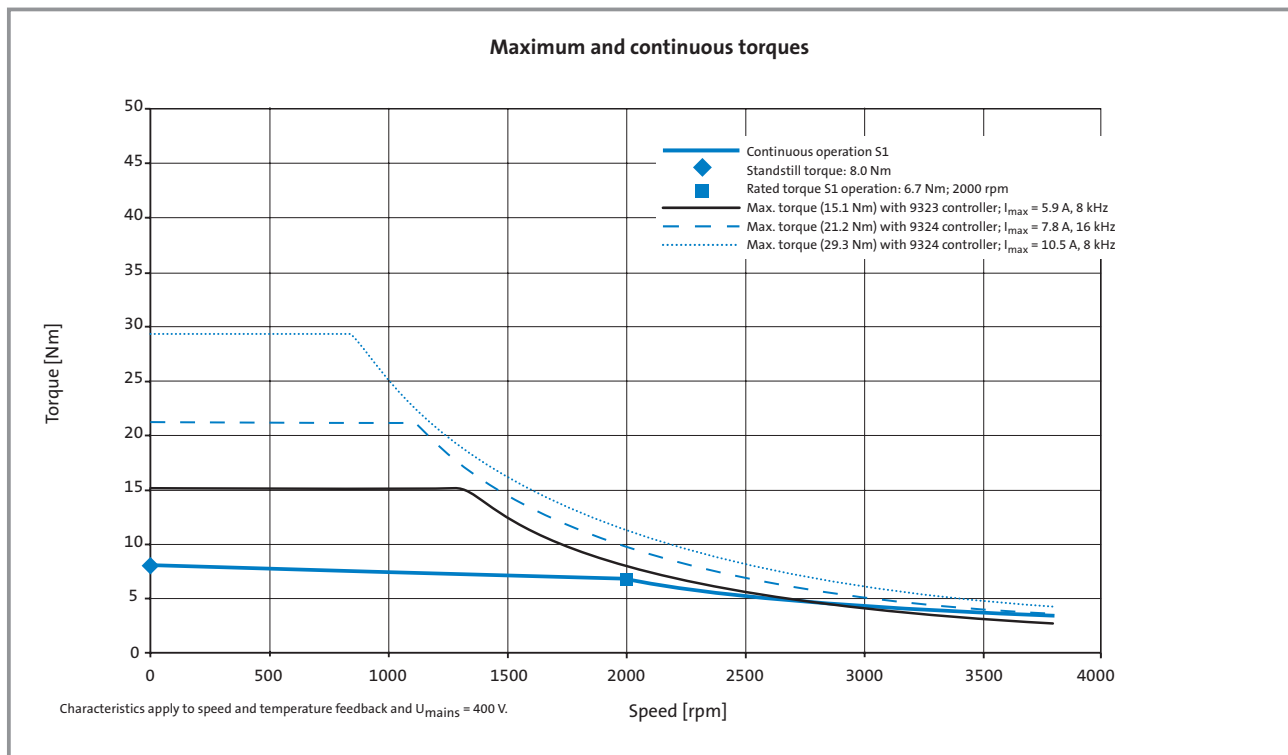
Torque characteristics/Asynchronous servo motors



MDSKA□□ 080-22 140 (naturally ventilated)



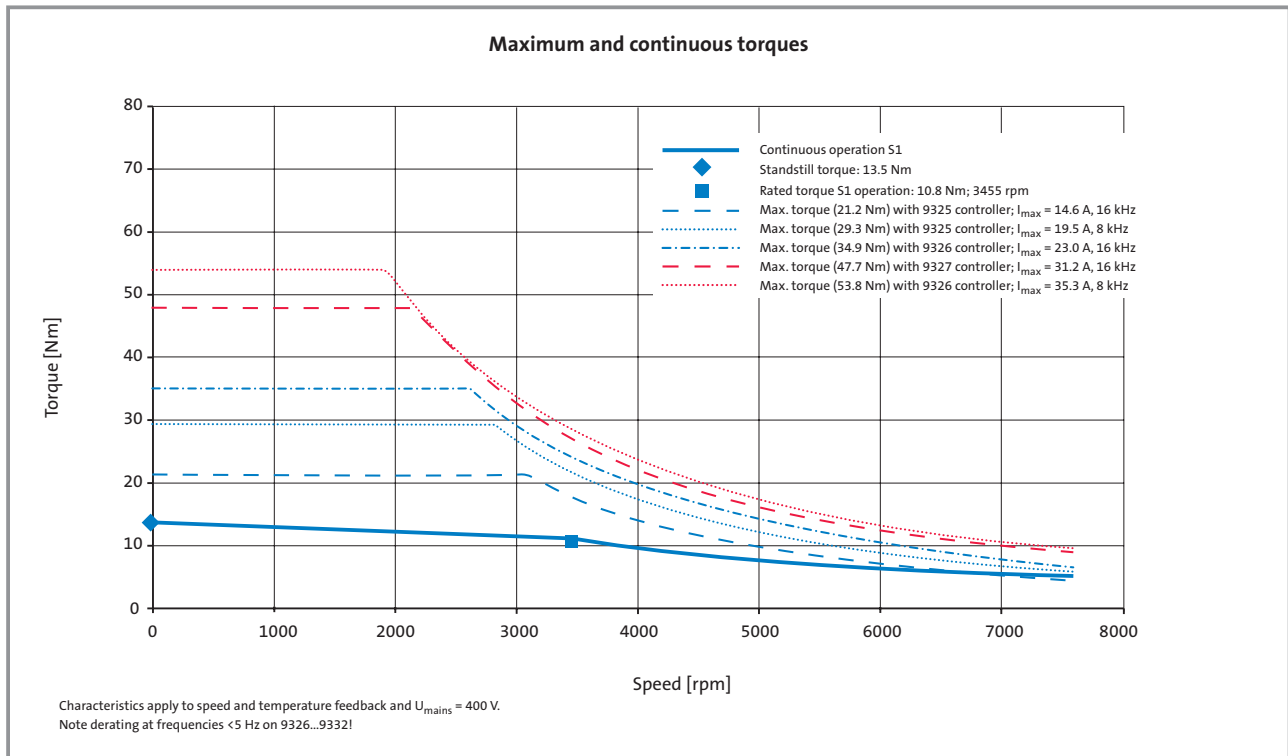
MDSKA□□ 080-22 70 (naturally ventilated)



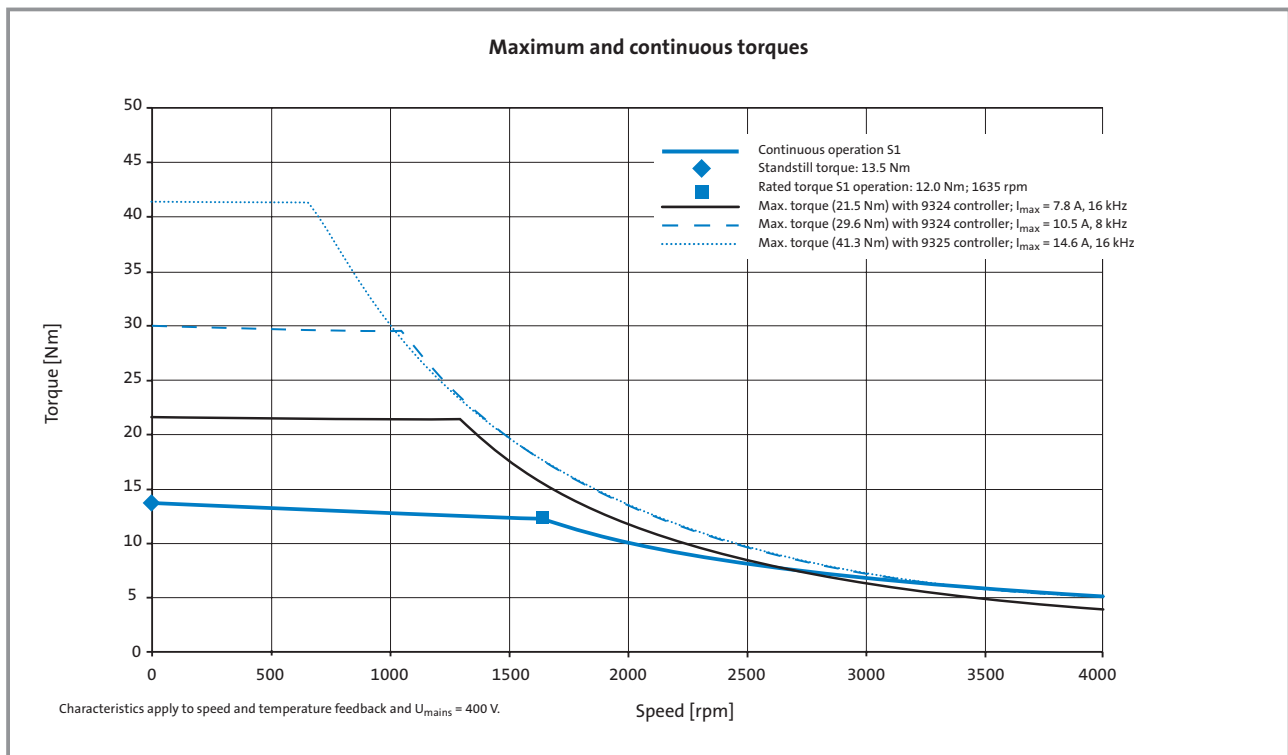
Technical data - Servo motors

Torque characteristics/Asynchronous servo motors

MDFKA□□ 080-22 120 (forced ventilated)

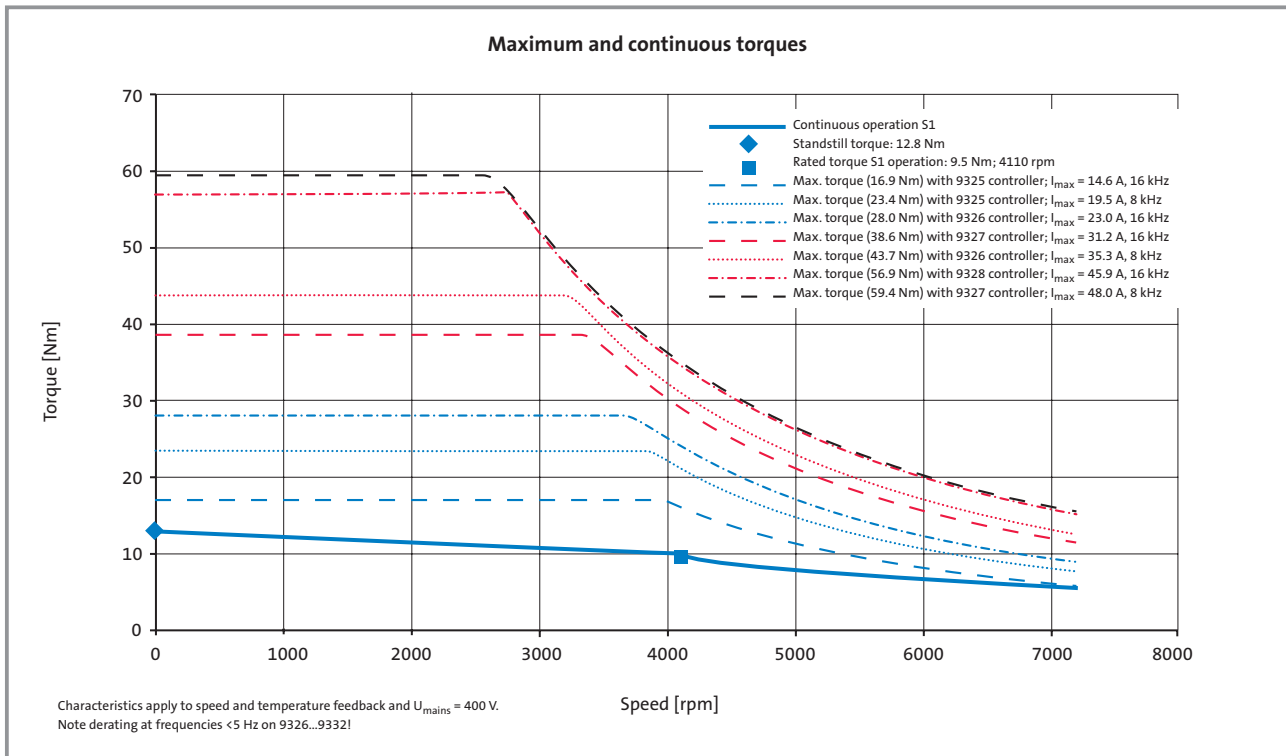


MDFKA□□ 080-22 60 (forced ventilated)

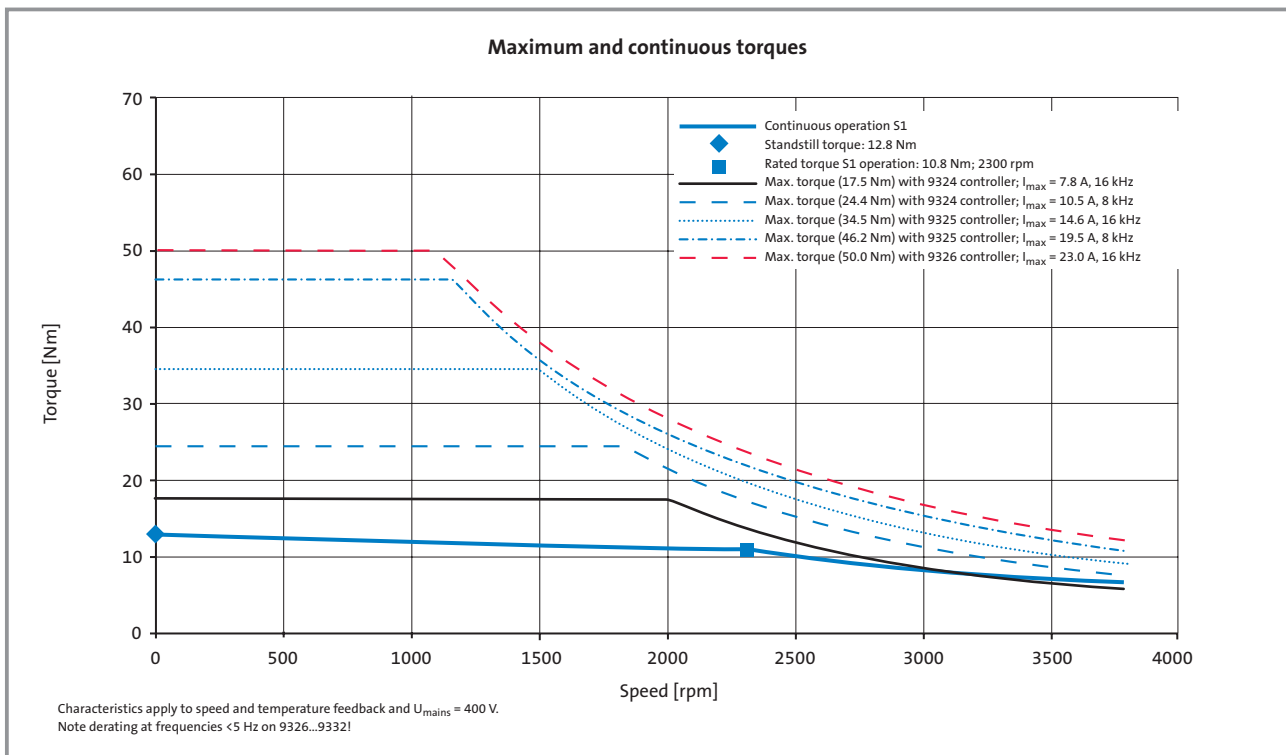




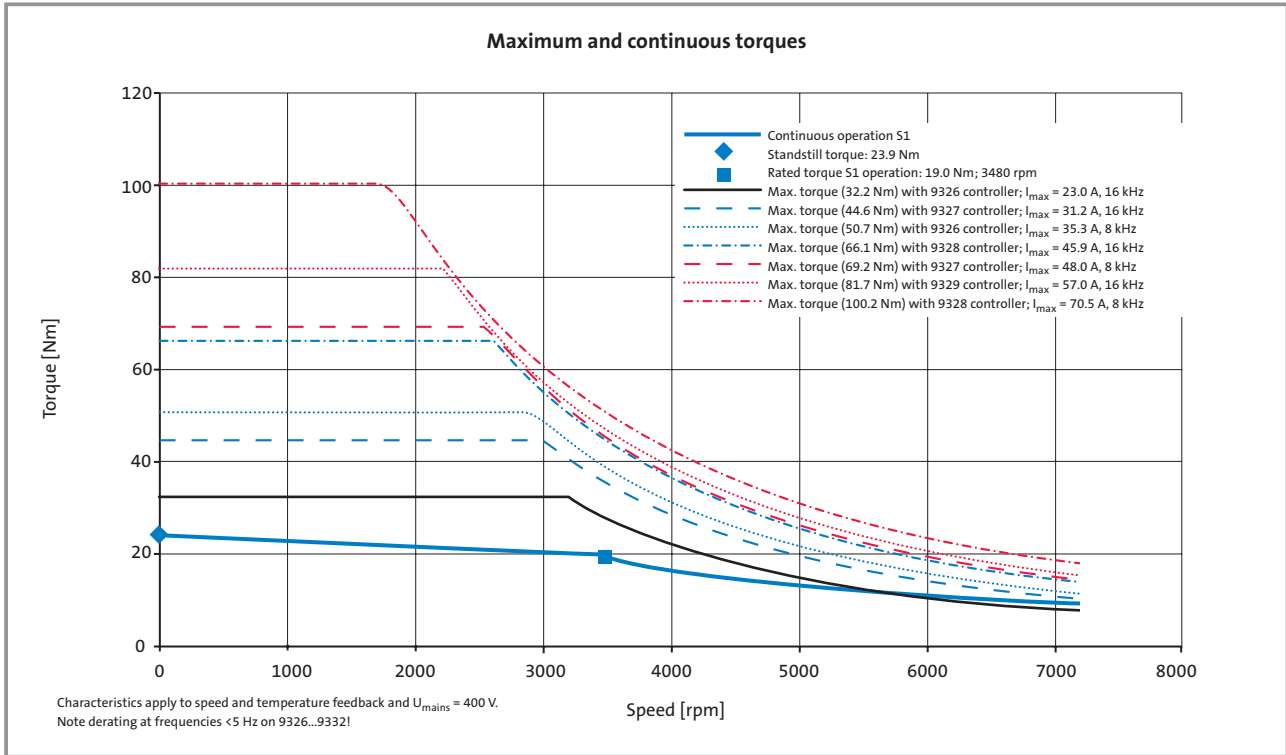
MDSKA□□ 090-22 140 (naturally ventilated)



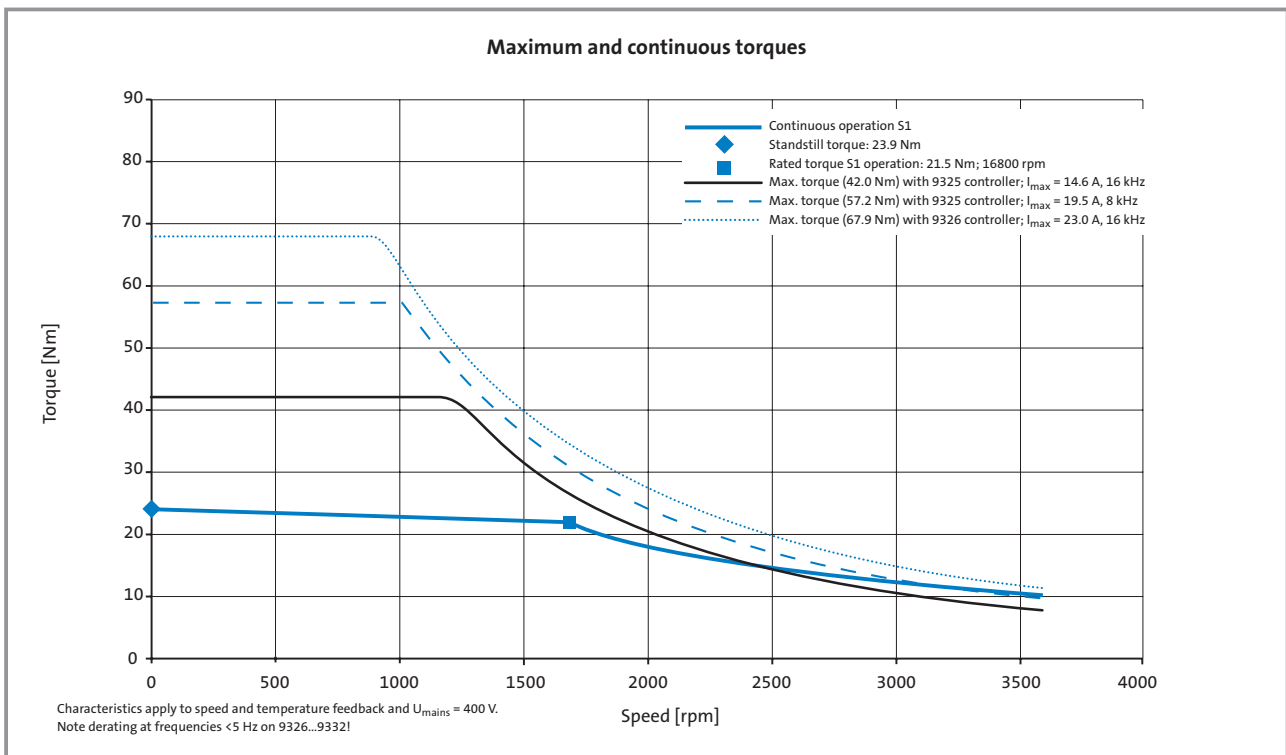
MDSKA□□ 090-22 80 (naturally ventilated)



MDFKA□□ 090-22 120 (forced ventilated)

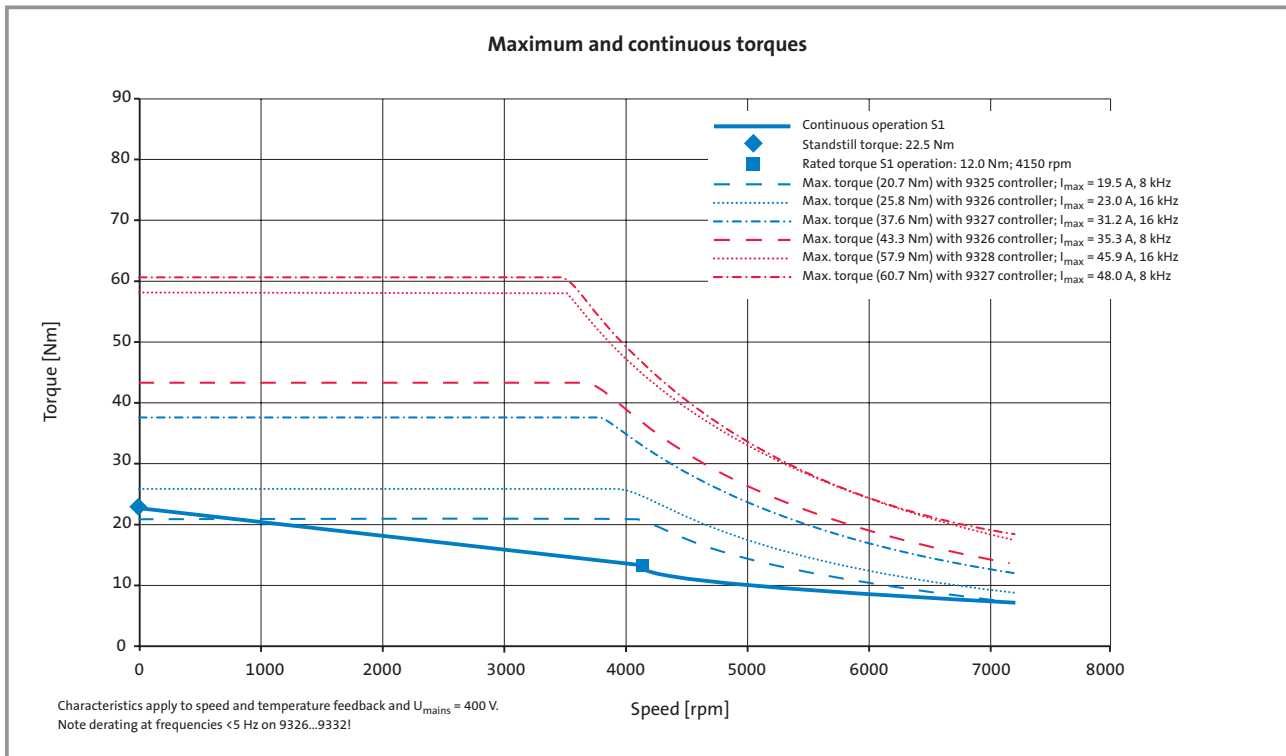


MDFKA□□ 090-22 60 (forced ventilated)

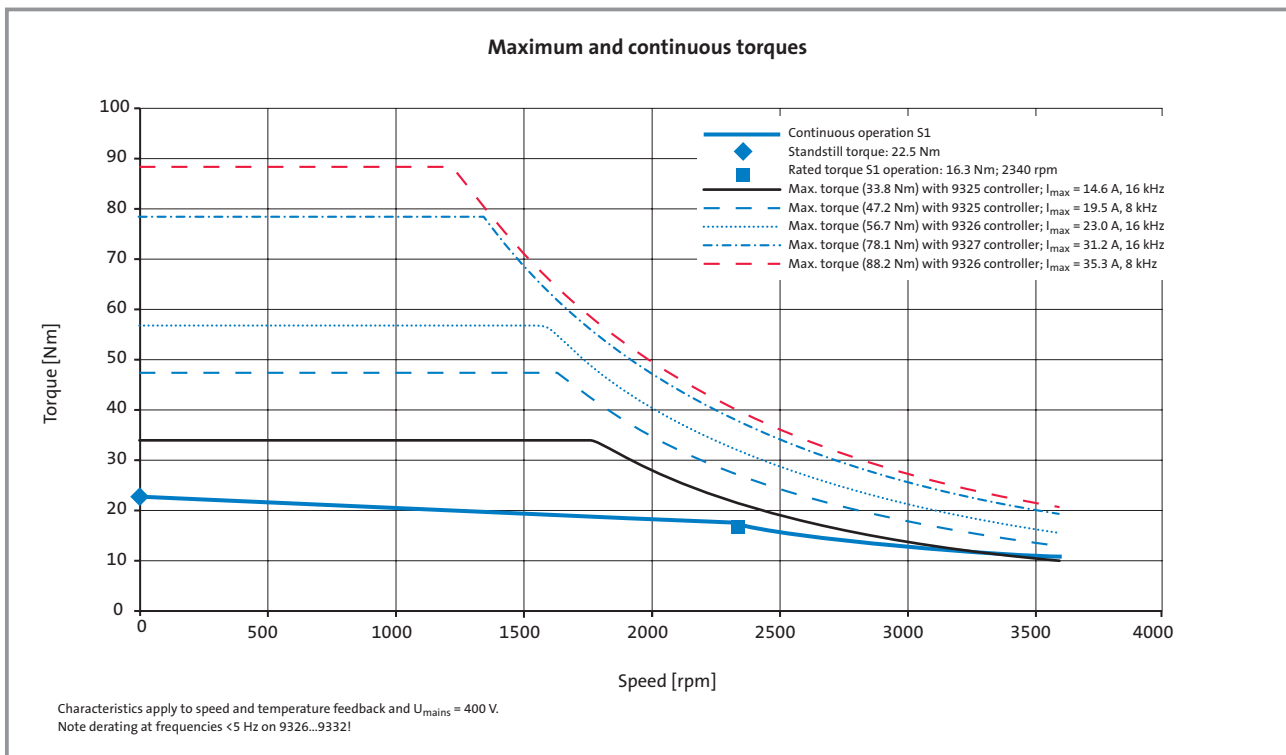




MDSKA□□ 100-22 140 (naturally ventilated)



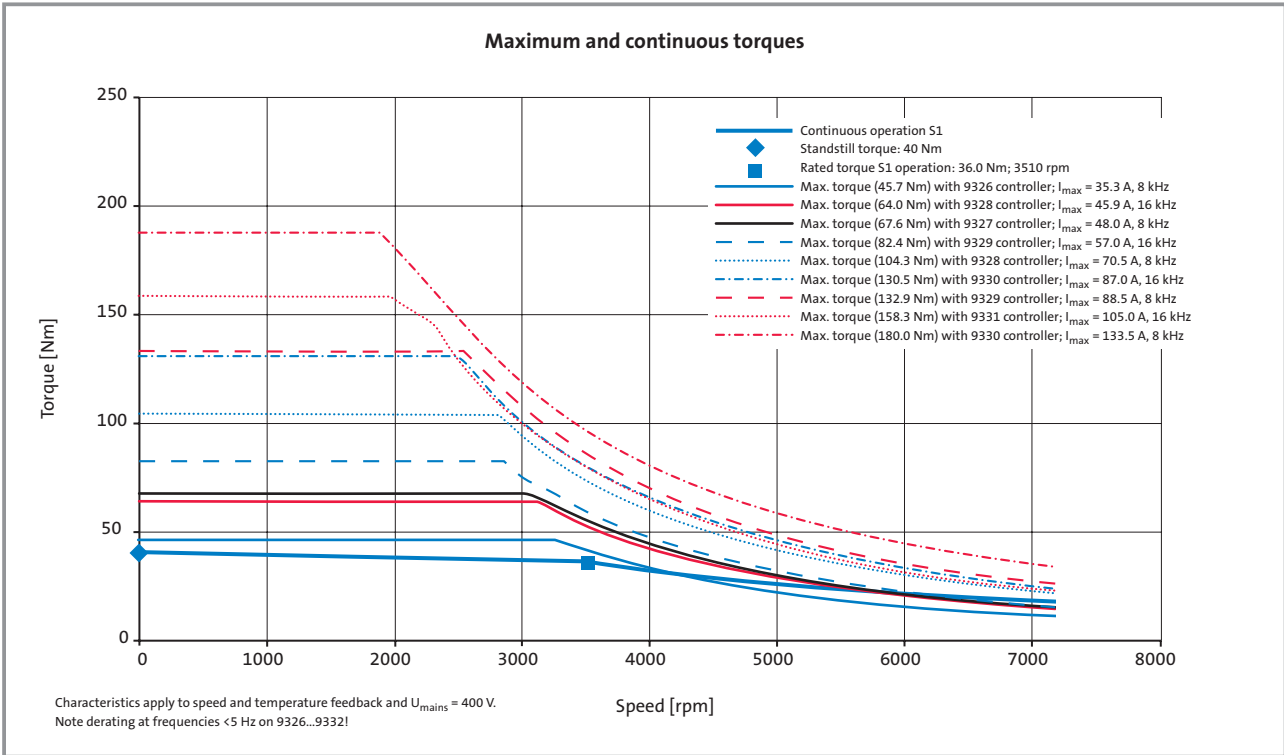
MDSKA□□ 100-22 80 (naturally ventilated)



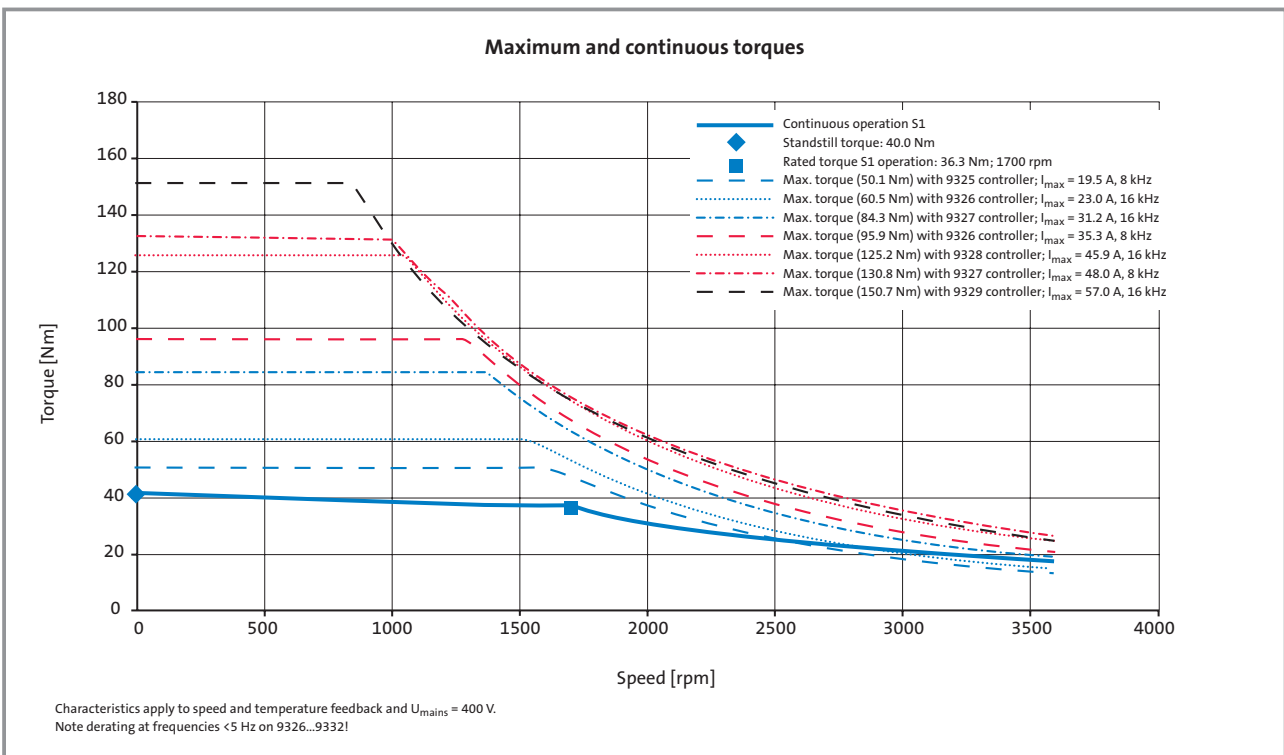
Technical data - Servo motors

Torque characteristics/Asynchronous servo motors

MDFKA□□ 100-22 120 (forced ventilated)

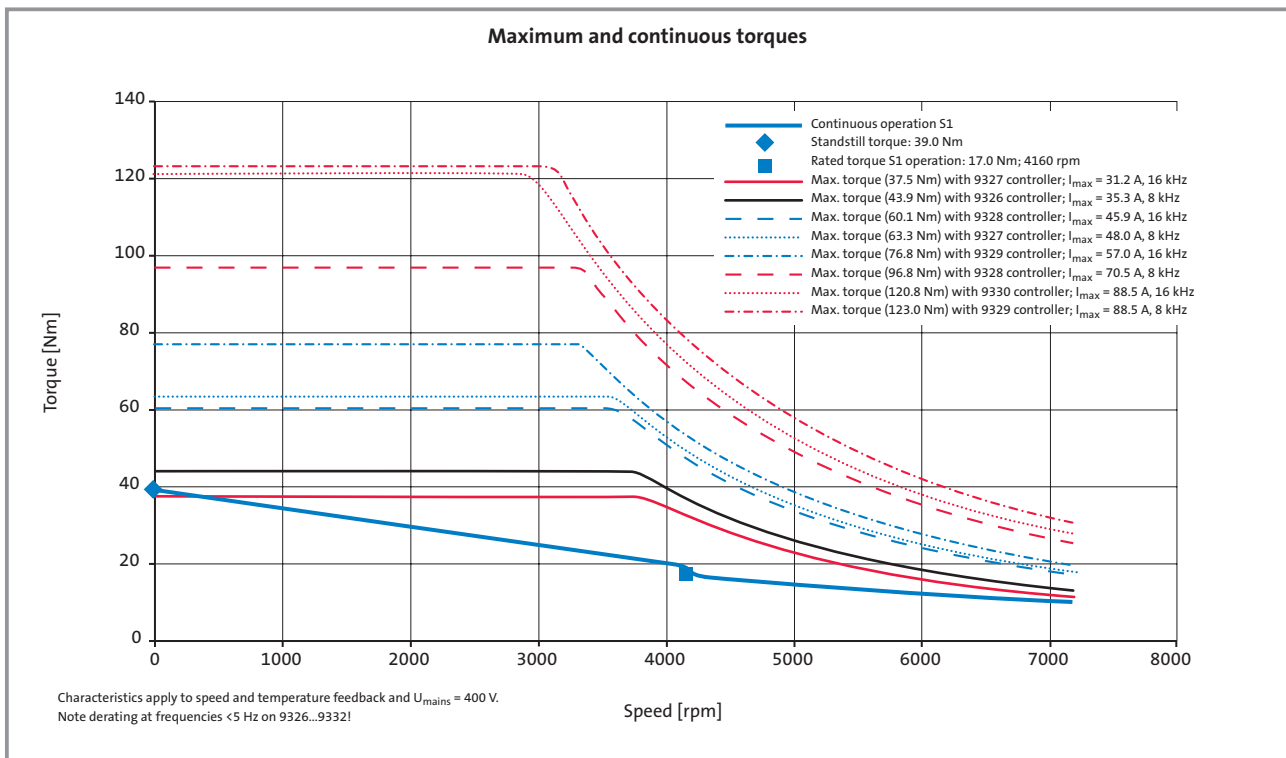


MDFKA□□ 100-22 60 (forced ventilated)

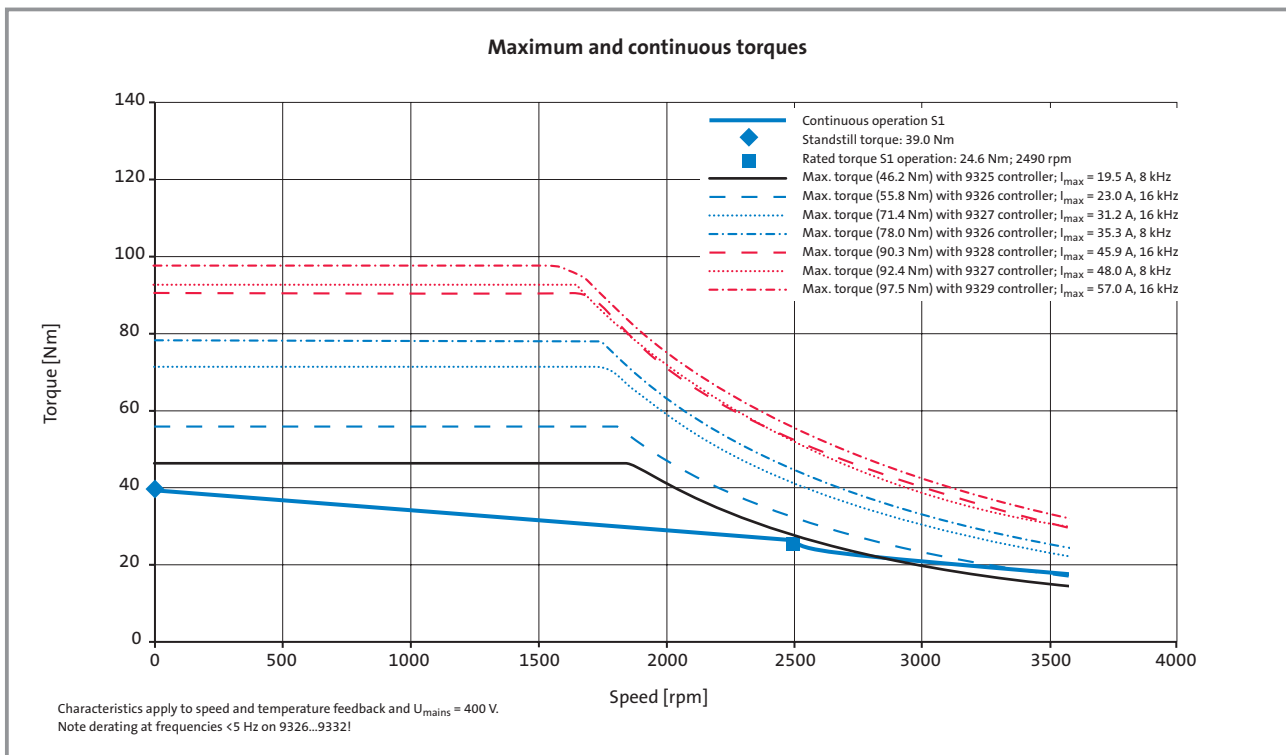




MDSKA□□ 112-22 140 (naturally ventilated)



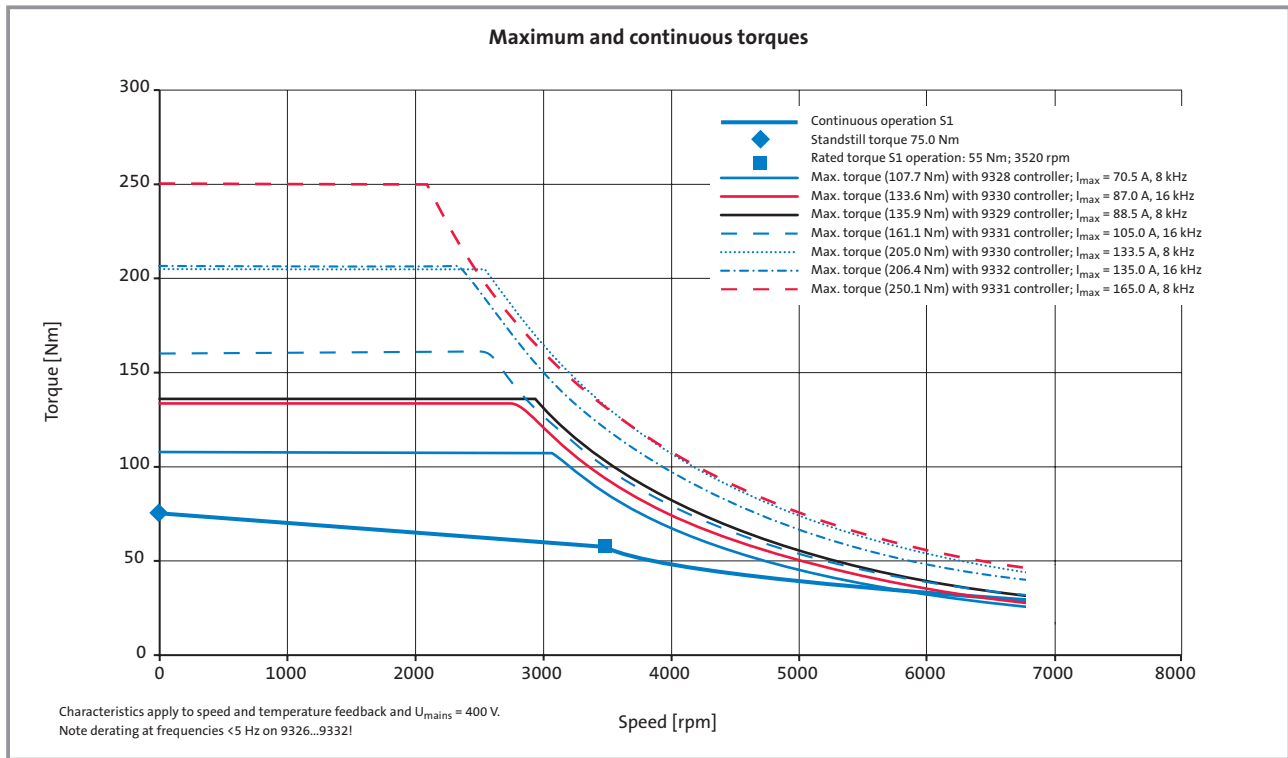
MDSKA□□ 112-22 85 (naturally ventilated)



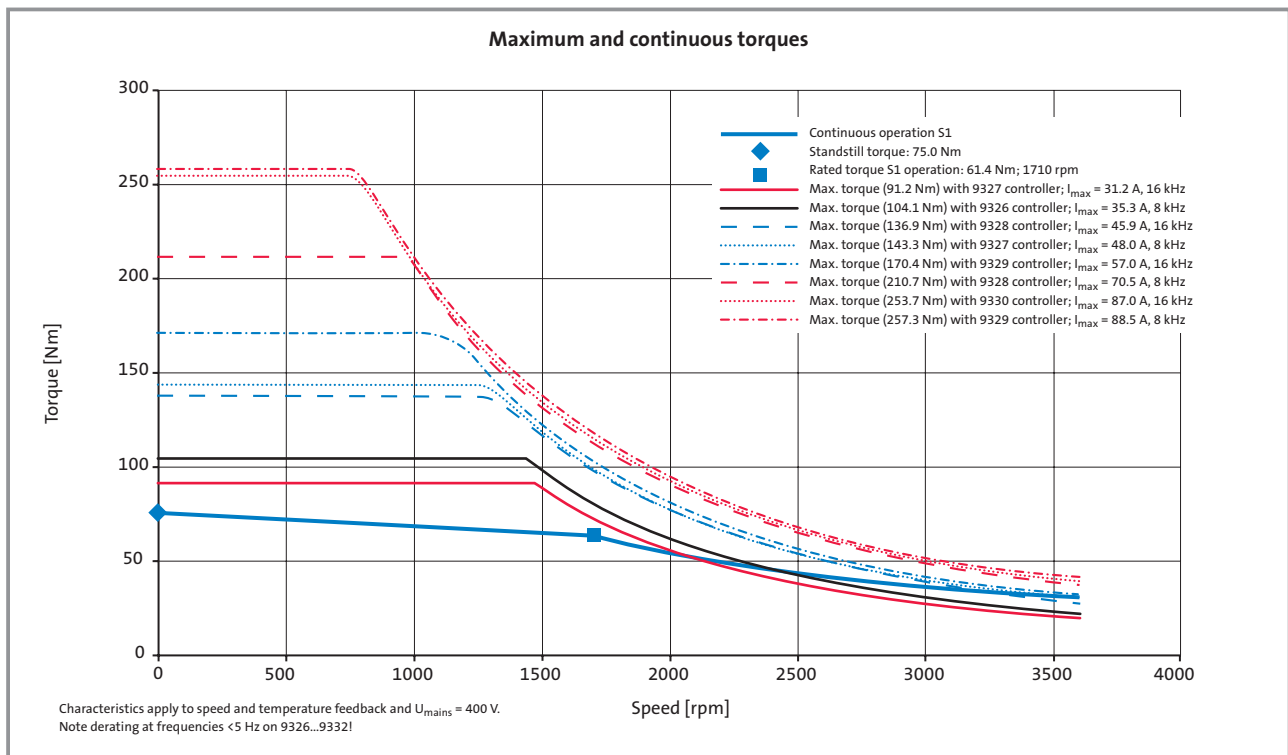
Technical data - Servo motors

Torque characteristics/Asynchronous servo motors

MDFKA□□ 112-22 120 (forced ventilated)



MDFKA□□ 112-22 60 (forced ventilated)





Blower (forced ventilated)

| Motor type | U_r [V] | f_r [Hz] | I_r [A] | P_r [W] |
|------------|--------------|---------------|--------------|--------------|
| MD□FK 071 | 210...240.1~ | 50/60 | 0.12 | 19 |
| MD□FK 080 | 210...240.1~ | 50/60 | 0.12 | 19 |
| MD□FK 090 | 210...240.1~ | 50/60 | 0.32 | 46 |
| MD□FK 100 | 210...240.1~ | 50/60 | 0.32 | 46 |
| MD□FK 112 | 210...240.1~ | 50/60 | 0.26 | 60 |

Brake

MD□K□ servo motors can be fitted with integrated permanent magnet holding brakes for 24 V/205 V DC voltage. The brakes are active when the supply voltage is switched off (closed-circuit principle).

If the brakes are used purely as holding brakes, there will be virtually no evidence of wear on the friction surfaces. As long as the permissible switching energy is not exceeded, at least 150 emergency stop functions will be possible.

Caution

The brakes used are not fail-safe brakes in the true sense because torque loss will occur in the unlikely event of disruption, e.g. an oil leak due to the failure of the drive-end shaft seal.

| Motor type | M_B [Nm] | U_r 24 ²⁾ [V] | I 24 ¹⁾ [A] | U_r 205 ^{2) 3)} [V] | I 205 ¹⁾ [A] |
|-------------|---------------|-------------------------------|-----------------------------|-----------------------------------|------------------------------|
| MDSK□B□ 056 | 5 | 24 (+5%, -10%) | 0.67 | 205 (+5%, -10%) | 0.08 |
| MD□K□B□ 071 | 12 | 24 (+5%, -10%) | 0.75 | 205 (+5%, -10%) | 0.09 |
| MD□KAB□ 080 | 20 | 24 (+5%, -10%) | 0.92 | 205 (+5%, -10%) | 0.12 |
| MD□KAB□ 090 | 20 | 24 (+5%, -10%) | 0.92 | 205 (+5%, -10%) | 0.12 |
| MD□KAB□ 100 | 40 | 24 (+5%, -10%) | 1.46 | 205 (+5%, -10%) | 0.18 |
| MD□KAB□ 112 | 80 | 24 (+5%, -10%) | 1.46 | 205 (+5%, -10%) | 0.18 |

¹⁾ The currents are maximum values for a cold brake (data for dimensioning the power supply). The values for a motor at operating temperature are considerably lower.

²⁾ Smoothed DC voltage, ripple 1%.

³⁾ UR not possible in the case of a brake with 205 V supply voltage.



Brake

| Motor type | t ₁ ¹⁾ [ms] | t ₂ ¹⁾ [ms] | Q _E ²⁾ [kJ] | S _{Hü} ³⁾ [1/h] | J _B [kgm ²] | m [kg] |
|-------------|--------------------------------------|--------------------------------------|--------------------------------------|--|---------------------------------------|-----------|
| MDSK□B□ 056 | 13 | 22 | 6.5 | 23 | 1.06E-04 | 0.75 |
| MD□K□B□ 071 | 24 | 30 | 12.0 | 17 | 3.60E-04 | 1.38 |
| MD□KAB□ 080 | 28 | 55 | 25.0 | 12 | 3.60E-04 | 1.45 |
| MD□KAB□ 090 | 28 | 55 | 25.0 | 12 | 9.50E-04 | 2.42 |
| MD□KAB□ 100 | 40 | 100 | 50.0 | 9 | 3.18E-03 | 4.79 |
| MD□KAB□ 112 | 53 | 97 | 50.0 | 9 | 3.18E-03 | 4.98 |

1) Engagement and disengagement times apply at the rated voltage (+0%) and with a suppressor circuit for the brakes in the form of a varistor with switching on the DC side. The times may be longer without a suppressor circuit.

2) Maximum switching energy per switching operation at n = 1500 rpm

3) Transference operating frequency to VDI 2241 to determine the permissible switching frequency/friction energy

If long motor cables are being used, the ohmic voltage drop along the cable should be taken into account and compensated by applying a higher voltage at the cable input.

The following applies to Lenze system cables:

$$\Delta U_B = 0.08 \cdot l_{\text{cable}} [\text{m}] \cdot I_B [\text{A}]$$

If the incorrect voltage (incorrect magnitude, incorrect polarity) is applied to the brake, the brake will be actuated and may overheat and be destroyed if the motor continues to run. Switching the voltage on the DC side will minimise operating times. A spark suppressor is required to suppress voltage peaks.

Phase-angle sensor and tacho generator

| Encoder | Resolver | Incremental encoder | | SinCos encoder | |
|--|--|---|---|---|------------------|
| | | | | Single-turn | Multi-turn |
| Synchronous servo motor MD□KS | ● | | | ● | ● |
| Asynchronous servo motor MD□KA totally encl. fan-cooled | ● | ● | ● | ● | ● |
| Letter symbol | RS | IT2048 | IS2048 | AS512 | AM512 |
| Type | | ITD21 | ITD22 | SCS70 | SCM70 |
| Signals | | 2048 increments TTL signals | 2048 increments sinusoidal signals 1 Vpp | 512 periods, sinusoidal signals 1 Vpp asynchronous half duplex RS485 interface for transmission of the absolute position | |
| Resolution | 0.8' | 2.6' | 0.4' | 0.4' | 0.4' |
| Accuracy | +/- 10' or +/- 4' on entry to number of correction code | +/- 2' acc. to number of increments | +/- 0.6' acc. to number of increments | +/- 0.8' | +/- 0.8' |
| Absolute positioning | 1 revolution | No | 1 revolution | 1 revolution | 4096 revolutions |
| Note | Standard solution installed for most applications | Incremental encoder installed instead of resolver | Incremental encoder installed instead of resolver | SinCos encoder installed instead of the standard resolver, actual position via interface on 9300. Operation is only possible once the encoder has been selected on the 9300 (encoder type and supply voltage), values have been saved and the drive has been shut down and restarted. | |

Resolver (built-in encoder)

Stator-fed resolver with two 90° stator windings and one rotor winding with transformer winding.

| | |
|----------------------------------|---|
| Design | Brushless hollow shaft "pancake" resolver |
| Max. speed (continuous) | 8000 rpm |
| Max. speed (short-time) | 10.000 rpm |
| Input voltage | 10 V amplitude |
| Input frequency | 4 kHz |
| Stator/rotor ratio | 0.3 ± 5% |
| Rotor impedance Z _{ro} | 51 Ω + j90 Ω |
| Stator impedance Z _{s0} | 102 Ω + j150 Ω |
| Impedance Z _{rs} | 44 Ω + j76 Ω |
| Insulation resistance | >10 MΩ at 500 V DC |
| Number of pole pairs | 1 |
| Maximum angular error | ± 10 angular minutes |



SinCos absolute value encoder (built-in encoder)

Absolute encoder with two 90° sinusoidal signals with 512 periods per revolution and RS485 serial interface for trans-

mitting parameters and the absolute position within one or 4096 revolutions.

| Type | SCS70 |
|-----------------------------|--|
| Design | Brushless hollow shaft encoder |
| Maximum speed | 12,000 rpm |
| No. of absolute revolutions | 1 (single-turn) |
| No. of periods | 512 periods/revolution |
| Output signals | Two 90° sinusoidal signals with 1 V _{pp} , RS 485 serial interface, asynchronous, half duplex |
| Limit frequency | 100 kHz |
| Supply | 7 ... 12 V DC |
| Current consumption | 100 ... 130 mA |

| Type | SCM70 |
|-----------------------------|--|
| Design | Brushless hollow shaft encoder |
| Maximum speed | 12000 rpm |
| No. of absolute revolutions | 4096 (multi-turn) |
| No. of periods | 512 periods/revolution |
| Output signals | Two 90° sinusoidal signals with 1 V _{pp} , RS 485 serial interface, asynchronous, half duplex |
| Limit frequency | 100 kHz |
| Supply | 7 ... 12 V DC |
| Current consumption | 100...130 mA |

Incremental encoder (built-in encoder)

Encoder with two 90° TTL rectangular signals and 2048 pulses per revolution plus additional zero track.

| Type | ITD21 |
|---------------------|---|
| Design | Brushless hollow shaft incremental encoder |
| Maximum speed | 8000 rpm |
| Pulse rate | 2048 pulses/revolution |
| Output signals | Two 90° rectangular signals, zero pulse, complementary TTL signals, U _{low} ≤ 0.5 V, U _{high} ≥ 2.5 V |
| Supply | 5 V DC ± 5%, protected against polarity reversal |
| Current consumption | ≤ 150 mA |
| Limit frequency | 300 kHz |

Incremental encoder (built-in encoder)

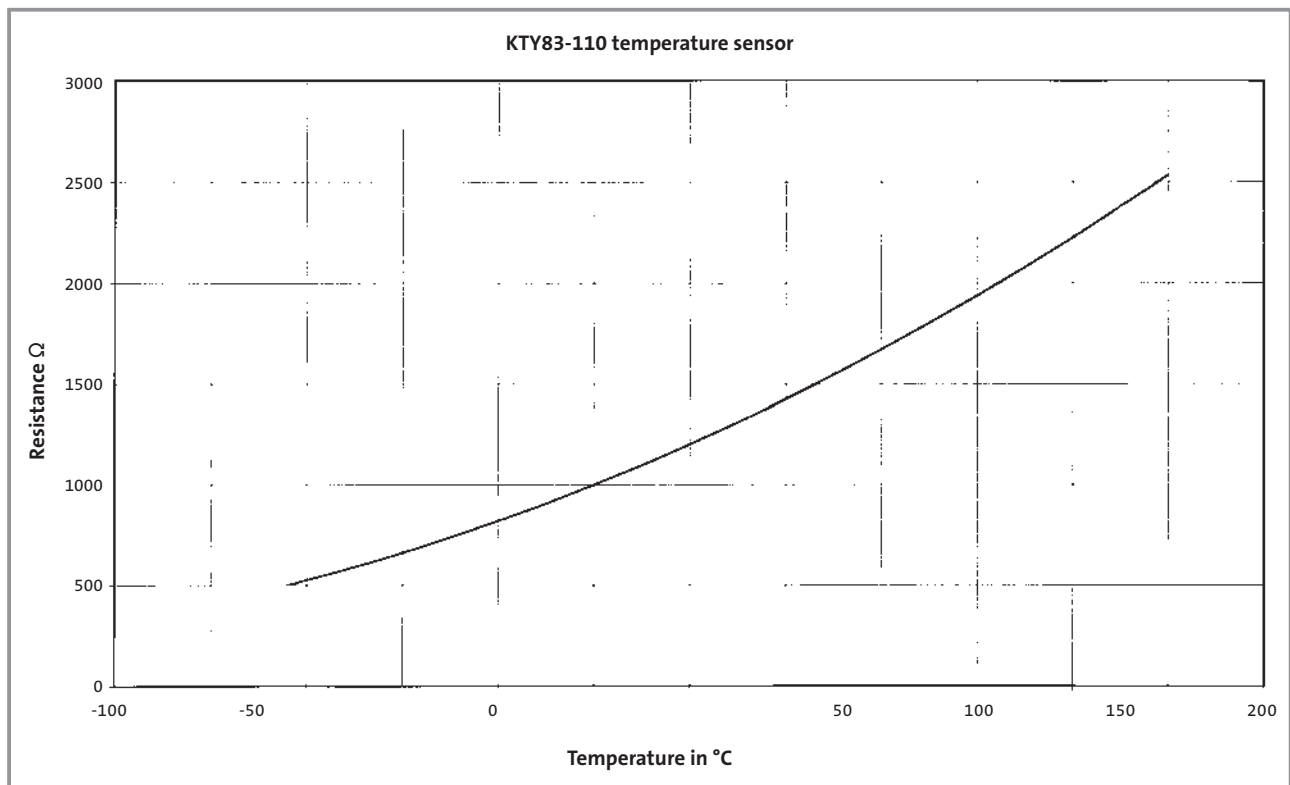
Encoder with two 90° sinusoidal signals and 2048 pulses per revolution plus additional zero pulse

| Type | ITD22 |
|---------------------|--|
| Design | Brushless hollow shaft sinusoidal encoder |
| Maximum speed | 8000 rpm |
| Pulse rate | 2048 sinusoidal periods/revolution |
| Output signals | Two 90° sinusoidal signals with 1 Vpp + zero pulse |
| Supply | 5 V DC +10% |
| Current consumption | ≤ 100 mA |
| Limit frequency | 180 kHz (-3 dB) |

KTY 83-110 temperature sensor (integrated temperature sensor)

The KTY temperature sensor monitors the motor temperature continuously but does not provide full protection. Data is fed back to the 9300 servo inverter with the feed-

back system cable. When a 1 mA measured current is supplied to the sensor, the relationship between temperature and resistance is as follows:



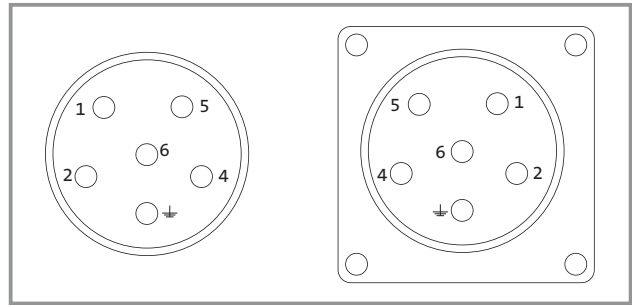


Connectors for motor connection

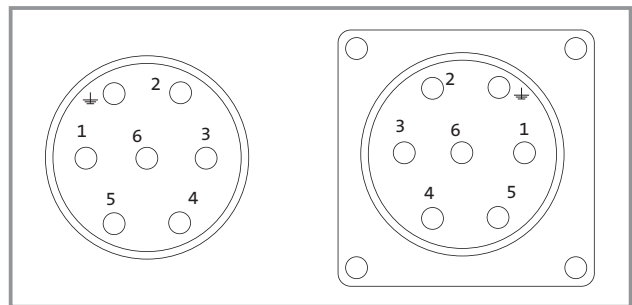
Power connection, brake connection

| | Pin no. | Terminal assignment |
|-----------------------------------|----------------|---------------------|
| Holding brake +UB | 1 | Y1 |
| Holding brake -UB | 2 | Y2 |
| Earthing PE | \perp | \perp |
| Motor power phase U | 4 | 1. U1 |
| Motor power phase V | 5 | 2. V1 |
| Motor power phase W | 6 | 3. W1 |
| Global Drive system cables | | |
| Standard cable | EWLM□□□GM-015C | |
| | MD□K□056...090 | |
| | EWLM□□□GM-025 | |
| | MD□K□056...090 | |
| | EWLM□□□GM-040 | |
| | MD□KA100...112 | |
| Cable suitable for trailing | EWLM□□□GMS025 | |
| | MD□KA036...090 | |
| | EWLM□□□GMS040 | |
| | MD□KA100...112 | |
| Intermediate cable | EWLM□□□ZM-015 | |
| | MD□KA036...090 | |

MD□K 056...090



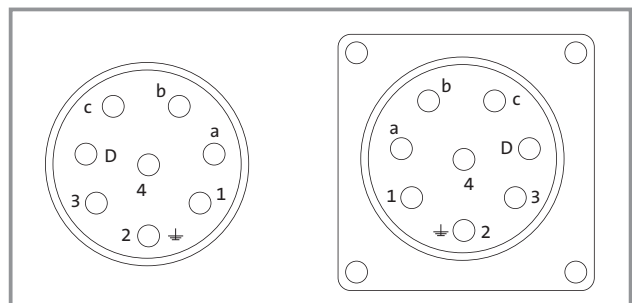
MD□KA 100...112



Blower connection

| | Pin no. | Terminal assignment |
|-----------------------------------|------------|---------------------|
| Earthing PE | 2 | \perp |
| Blower output L1 | A | U1 |
| Blower output N | B | U2 |
| Global Drive system cables | | |
| Standard cable | EWLL□□□GM | |
| Cable suitable for trailing | EWLL□□□GMS | |
| Intermediate cable | EWLL□□□ZM | |

MD□K□ 071...112



Caution!

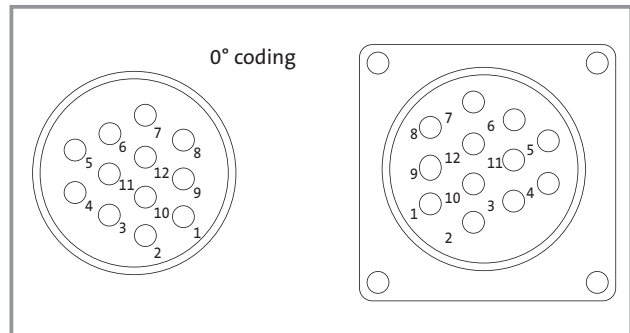
Shielded cables, e.g. Global Drive system cables, are required for EMC-compliant wiring.



Connectors for motor connection

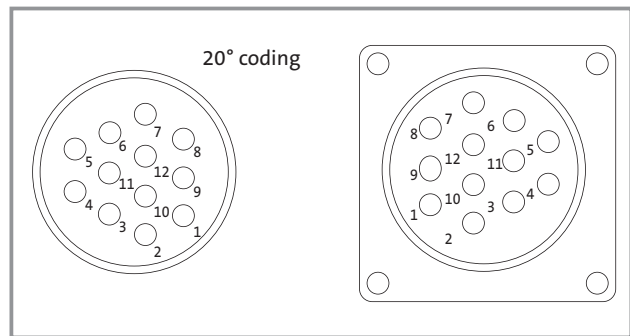
Resolver connection

| | Pin no. | Terminal assignment |
|--|-------------|---------------------|
| +Ref, transformer/reference winding 1 | B1 | |
| -Ref, transformer/reference winding | 2 | B2 |
| +Cos, stator winding 4 | B4 | |
| -Cos, stator winding 5 | B5 | |
| +Sin, stator winding 6 | B6 | |
| -Sin, stator winding 7 | B7 | |
| Temperature sensor +KTY | 11 | T1 |
| Temperature sensor -KTY | 12 | T2 |
| Global Drive system cables | | |
| Standard cable | EWLR□□□GM-T | |
| Intermediate cable suitable for trailing | EWLR□□□ZMST | |
| Intermediate cable | EWLR□□□ZM-T | |



SinCos absolute value encoder and incremental encoder connection

| | Pin no. | Terminal assignment |
|-----------------------------------|-------------|---------------------|
| Track +B/+SIN | 1 | B5 |
| Track -A/-COS | 2 | B4 |
| Track +A/+COS | 3 | B3 |
| Supply VCC | 4 | B1 |
| Ground GND | 5 | B2 |
| Track -0. -Z/-RS485 | 6 | B8 |
| Track +0. +Z/+RS485 | 7 | B7 |
| Track -B/-SIN | 9 | B6 |
| Temperature sensor +KTY | 11 | T1 |
| Temperature sensor -KTY | 12 | T2 |
| Global Drive system cables | | |
| Standard cable | EWLE□□□GM-T | |



Caution!

Shielded cables, e.g. Global Drive system cables, are required for EMC-compliant wiring.

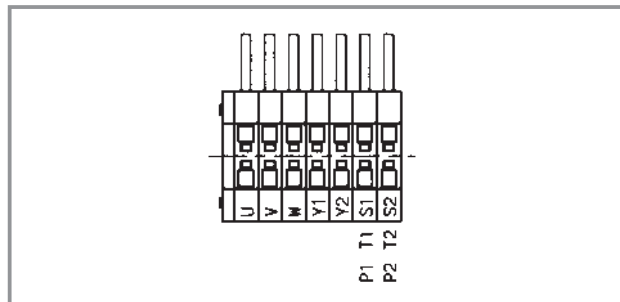
Terminal box

As alternative to connectors, servo motors can be fitted with terminal boxes for the power connection and brake.

Terminals

| | Pin no. | Terminal assignment |
|--------------|---------|---------------------|
| Brake | 5 | Y1 |
| Brake | 6 | Y2 |
| PE conductor | PE | PE |
| Motor phase | 1 | U |
| Motor phase | 2 | V |
| Motor phase | 3 | W |

Terminal diagram



Caution!

The following items are required for EMC-compliant wiring:

- ▶ Shielded cables
- ▶ Metal EMC cable glands with shield connection



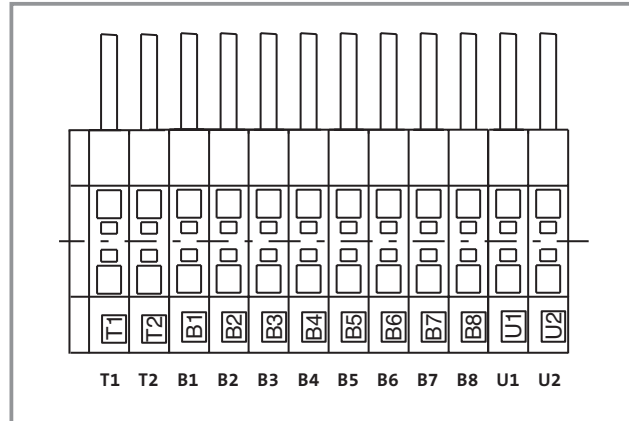
Blower and feedback can be routed via a second terminal box.

Resolver as feedback

Connections

| | Pin no. | Terminal assignment |
|------------------|---------|---------------------|
| Thermal detector | T1 | + KTY |
| Thermal detector | T2 | - KTY |
| Resolver | B1 | + Ref |
| Resolver | B2 | - Ref |
| | B3 | |
| Resolver | B4 | + cos |
| Resolver | B5 | - cos |
| Resolver | B6 | + sin |
| Resolver | B7 | - sin |
| | B8 | |
| Blower | U1 | L1 |
| Blower | U2 | N |

Terminal diagram

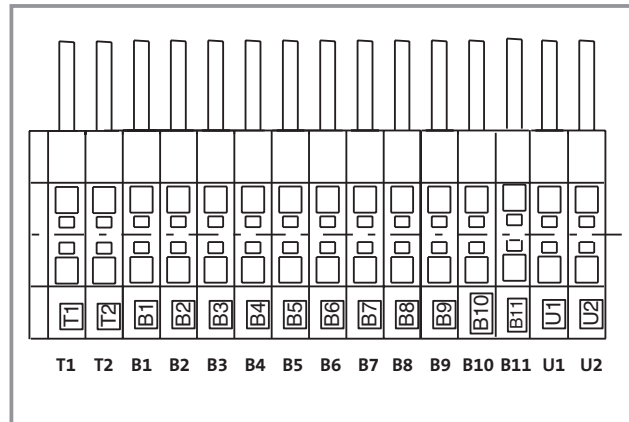


Incremental encoder or SinCos encoder as feedback

Terminals

| | Pin no. | Terminal assignment |
|---|---------|---------------------|
| Temperature sensor | T1 | + KTY |
| Temperature sensor | T2 | - KTY |
| Incremental encoder feed + | B1 | + UB |
| Incremental encoder feed - | B2 | ± ov |
| Incremental encoder track A | B3 | A |
| Incremental encoder track A inverse | B4 | - A |
| Incremental encoder track B | B5 | B |
| Incremental encoder track B inverse | B6 | - B |
| Incremental enc. track C (zero track) | B7 | N |
| Incremental enc. track C (zero track inverse) | B8 | N |
| Incremental encoder shield | B10 | Shield hous. |
| Blower | U1 | L1 |
| Blower | U2 | N |

Terminal diagram

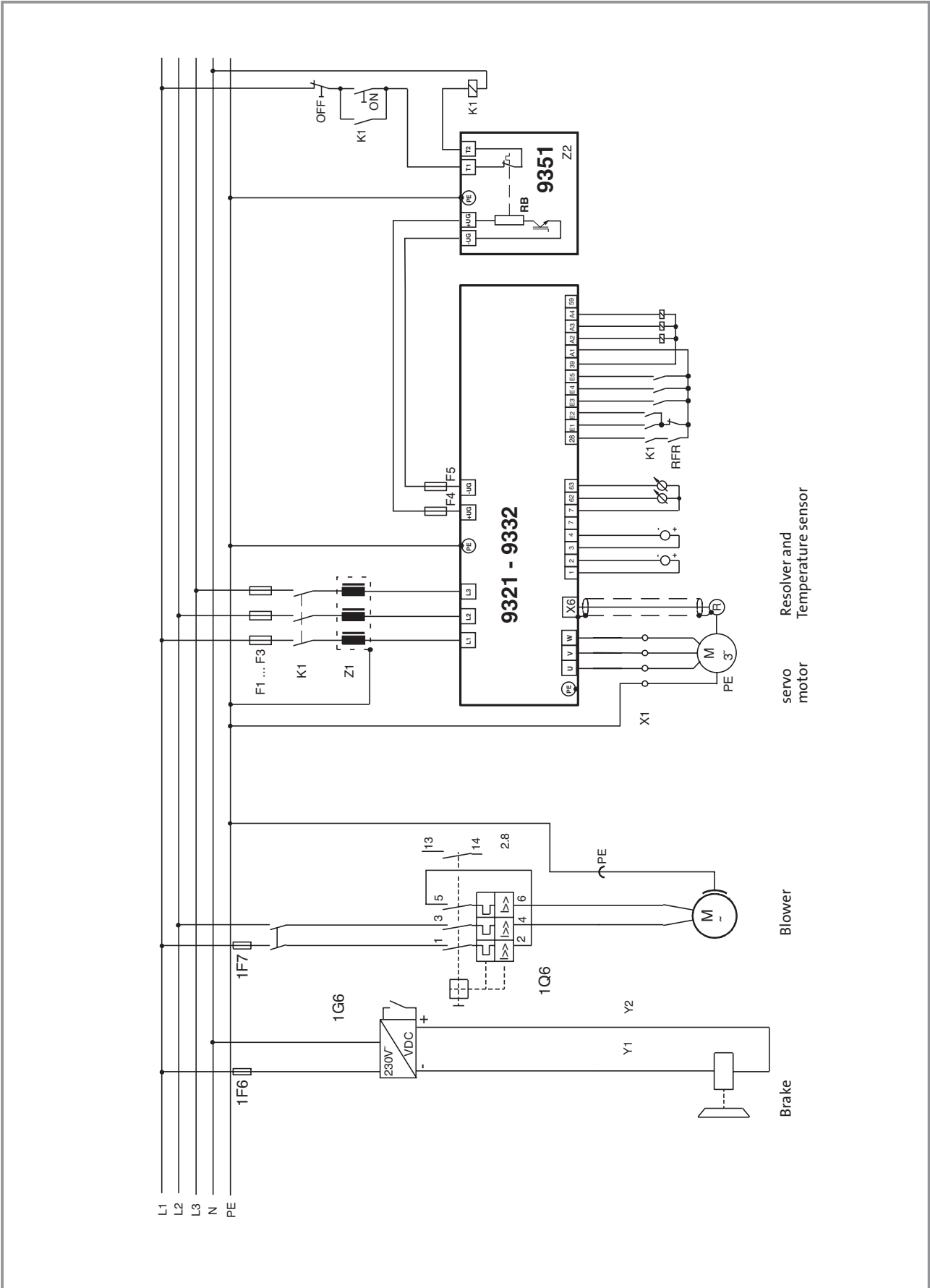


Cable glands and connection studs

| Motor type | Power connection | | Encoder/Blower connection |
|------------|-------------------------|----------------------------------|---------------------------|
| | Cable glands | Connection studs/terminal | Cable glands |
| MD□K□ 056 | 1x M16x1.5 + 1x M20x1.5 | M4 or 0.08...2.5 mm ² | 1x M16x1.5 + 1x M20x1.5 |
| MD□K□ 071 | 1x M16x1.5 + 1x M20x1.5 | M4 or 0.08...2.5 mm ² | 1x M16x1.5 + 1x M20x1.5 |
| MD□K□ 080 | 1x M16x1.5 + 1x M20x1.5 | M4 or 0.08...2.5 mm ² | 1x M16x1.5 + 1x M20x1.5 |
| MD□K□ 090 | 1x M16x1.5 + 1x M20x1.5 | M4 or 0.08...2.5 mm ² | 1x M16x1.5 + 1x M20x1.5 |
| MD□K□ 100 | 1x M25x1.5 + 1x M32x1.5 | M5 or 0.2...10 mm ² | 1x M16x1.5 + 1x M20x1.5 |
| MD□K□ 112 | 1x M25x1.5 + 1x M32x1.5 | M5 or 0.2...10 mm ² | 1x M16x1.5 + 1x M20x1.5 |

Technical data - Servo motors

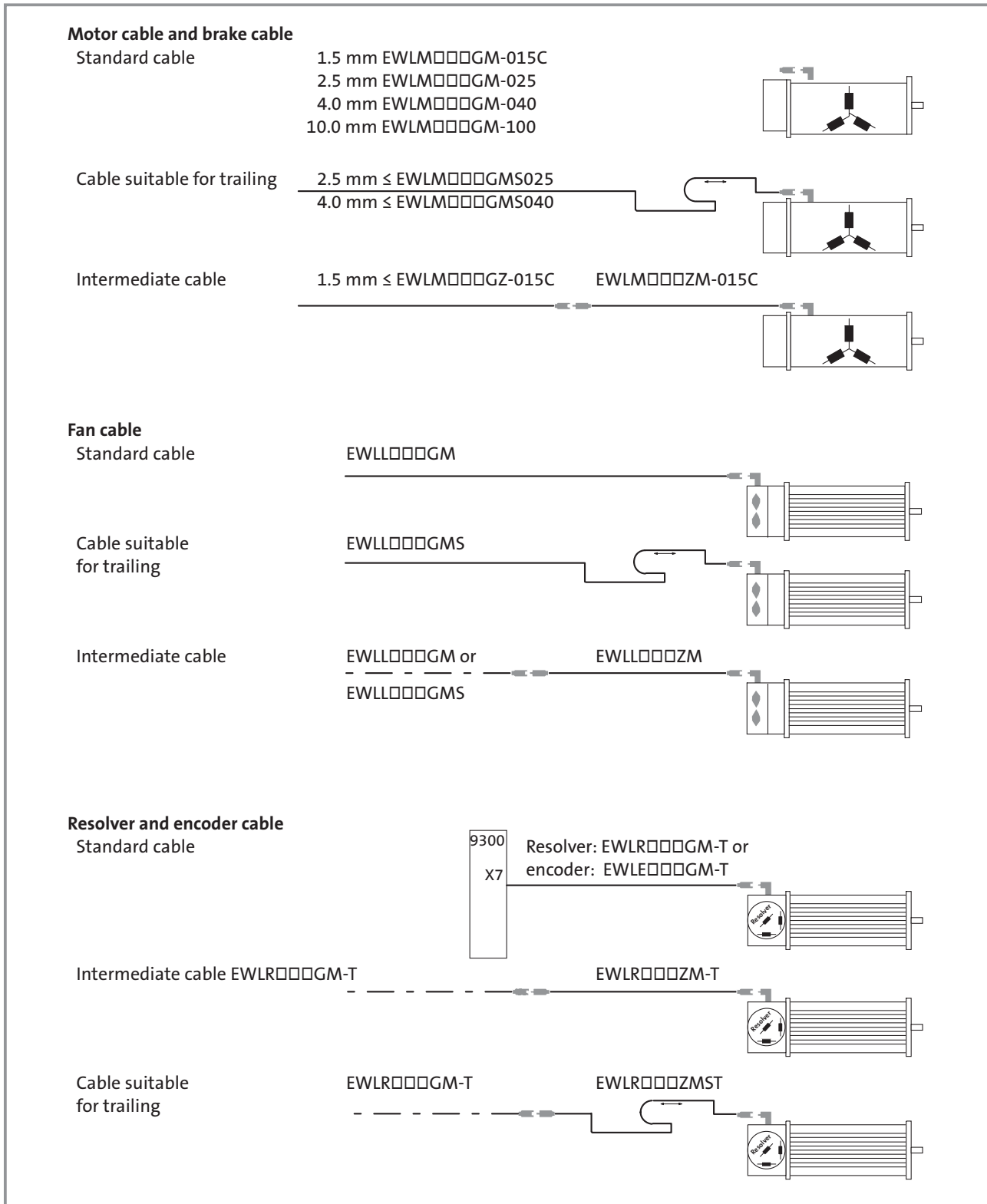
Connection plan





Preassembled system cables make connecting Lenze servo motors to 9300 servo inverters very easy. The following cables (see overview graphic) are available:

- ▶ Motor cables
- ▶ Fan cables
- ▶ Cables for feedback
- ▶ Add-on cables



Technical data - Servo motors

Motor cables

Preassembled motor cables make it easy to connect servo motors to the 9300 servo inverter. The required connectors are located at the motor end of the cables and the opposite end remains free for the control cabinet wiring.

Further advantages include:

- ▶ Integrated brake connection
- ▶ Shielded cable
- ▶ EMC-compliant wiring
- ▶ Cost-effective connection

| Type | Length (m) | Connector for motor frame size | Amp- acity * | Core cross- section mm ² | Cable diameter mm | Bend radius | | Weight kg |
|---|---------------|--------------------------------------|--------------------|--|-------------------------|--------------|----------------|--------------|
| | | | | | | Fixed wiring | Flex. wiring** | |
| Standard cable 1.5 mm² | | | | | | | | |
| EWLM002GM-015C | 2.5 | 056 - 090 | 15.0 | 1.5 | 13.5 | 7.5 x d | 15 x d | 0.6 |
| EWLM005GM-015C | 5.0 | 056 - 090 | 15.0 | 1.5 | 13.5 | 7.5 x d | 15 x d | 1.0 |
| EWLM010GM-015C | 10.0 | 056 - 090 | 15.0 | 1.5 | 13.5 | 7.5 x d | 15 x d | 2.0 |
| EWLM015GM-015C | 15.0 | 056 - 090 | 15.0 | 1.5 | 13.5 | 7.5 x d | 15 x d | 2.4 |
| EWLM020GM-015C | 20.0 | 056 - 090 | 15.0 | 1.5 | 13.5 | 7.5 x d | 15 x d | 3.7 |
| EWLM025GM-015C | 25.0 | 056 - 090 | 15.0 | 1.5 | 13.5 | 7.5 x d | 15 x d | 4.6 |
| EWLM030GM-015C | 30.0 | 056 - 090 | 15.0 | 1.5 | 13.5 | 7.5 x d | 15 x d | 5.5 |
| EWLM035GM-015C | 35.0 | 056 - 090 | 15.0 | 1.5 | 13.5 | 7.5 x d | 15 x d | 6.4 |
| EWLM040GM-015C | 40.0 | 056 - 090 | 15.0 | 1.5 | 13.5 | 7.5 x d | 15 x d | 7.3 |
| EWLM045GM-015C | 45.0 | 056 - 090 | 15.0 | 1.5 | 13.5 | 7.5 x d | 15 x d | 8.2 |
| EWLM050GM-015C | 50.0 | 056 - 090 | 15.0 | 1.5 | 13.5 | 7.5 x d | 15 x d | 9.1 |
| EWLM075GM-015C | 75.0 | 056 - 090 | 15.0 | 1.5 | 13.5 | 7.5 x d | 15 x d | 13.6 |
| EWLM100GM-015C | 100.0 | 056 - 090 | 15.0 | 1.5 | 13.5 | 7.5 x d | 15 x d | 18.1 |
| Standard cable 2.5 mm² | | | | | | | | |
| EWLM002GM-025 | 2.5 | 056 - 090 | 20.0 | 2.5 | 11.3 | 7.5 x d | 15 x d | 0.7 |
| EWLM005GM-025 | 5.0 | 056 - 090 | 20.0 | 2.5 | 11.3 | 7.5 x d | 15 x d | 1.3 |
| EWLM010GM-025 | 10.0 | 056 - 090 | 20.0 | 2.5 | 11.3 | 7.5 x d | 15 x d | 2.5 |
| EWLM015GM-025 | 15.0 | 056 - 090 | 20.0 | 2.5 | 11.3 | 7.5 x d | 15 x d | 3.7 |
| EWLM020GM-025 | 20.0 | 056 - 090 | 20.0 | 2.5 | 11.3 | 7.5 x d | 15 x d | 4.9 |
| EWLM025GM-025 | 25.0 | 056 - 090 | 20.0 | 2.5 | 11.3 | 7.5 x d | 15 x d | 6.1 |
| EWLM030GM-025 | 30.0 | 056 - 090 | 20.0 | 2.5 | 11.3 | 7.5 x d | 15 x d | 7.3 |
| EWLM035GM-025 | 35.0 | 056 - 090 | 20.0 | 2.5 | 11.3 | 7.5 x d | 15 x d | 8.5 |
| EWLM040GM-025 | 40.0 | 056 - 090 | 20.0 | 2.5 | 11.3 | 7.5 x d | 15 x d | 9.7 |
| EWLM045GM-025 | 45.0 | 056 - 090 | 20.0 | 2.5 | 11.3 | 7.5 x d | 15 x d | 10.9 |
| EWLM050GM-025 | 50.0 | 056 - 090 | 20.0 | 2.5 | 11.3 | 7.5 x d | 15 x d | 12.1 |
| EWLM075GM-025 | 75.0 | 056 - 090 | 20.0 | 2.5 | 11.3 | 7.5 x d | 15 x d | 18.1 |
| EWLM100GM-025 | 100.0 | 056 - 090 | 20.0 | 2.5 | 11.3 | 7.5 x d | 15 x d | 24.1 |
| Standard cable 4.0 mm² | | | | | | | | |
| EWLM005GM-040 | 5.0 | 100 - 112 | 28.0 | 4.0 | 13.5 | 7.5 x d | 15 x d | 1.9 |
| EWLM010GM-040 | 10.0 | 100 - 112 | 28.0 | 4.0 | 13.5 | 7.5 x d | 15 x d | 3.6 |
| EWLM015GM-040 | 15.0 | 100 - 112 | 28.0 | 4.0 | 13.5 | 7.5 x d | 15 x d | 5.4 |
| EWLM020GM-040 | 20.0 | 100 - 112 | 28.0 | 4.0 | 13.5 | 7.5 x d | 15 x d | 7.1 |
| EWLM025GM-040 | 25.0 | 100 - 112 | 28.0 | 4.0 | 13.5 | 7.5 x d | 15 x d | 8.9 |
| EWLM030GM-040 | 30.0 | 100 - 112 | 28.0 | 4.0 | 13.5 | 7.5 x d | 15 x d | 11.5 |
| EWLM035GM-040 | 35.0 | 100 - 112 | 28.0 | 4.0 | 13.5 | 7.5 x d | 15 x d | 12.4 |
| EWLM040GM-040 | 40.0 | 100 - 112 | 28.0 | 4.0 | 13.5 | 7.5 x d | 15 x d | 14.1 |
| EWLM045GM-040 | 45.0 | 100 - 112 | 28.0 | 4.0 | 13.5 | 7.5 x d | 15 x d | 15.9 |
| EWLM050GM-040 | 50.0 | 100 - 112 | 28.0 | 4.0 | 13.5 | 7.5 x d | 15 x d | 17.6 |
| EWLM075GM-040 | 75.0 | 100 - 112 | 28.0 | 4.0 | 13.5 | 7.5 x d | 15 x d | 26.4 |
| EWLM100GM-040 | 100.0 | 100 - 112 | 28.0 | 4.0 | 13.5 | 7.5 x d | 15 x d | 35.1 |
| Standard cable 10.0 mm² | | | | | | | | |
| EWLM005GM-100 | 5.0 | 100 - 112 | 50.0 | 10.0 | 19.5 | 7.5 x d | 15 x d | 4.0 |
| EWLM010GM-100 | 10.0 | 100 - 112 | 50.0 | 10.0 | 19.5 | 7.5 x d | 15 x d | 7.8 |
| EWLM015GM-100 | 15.0 | 100 - 112 | 50.0 | 10.0 | 19.5 | 7.5 x d | 15 x d | 11.7 |
| EWLM020GM-100 | 20.0 | 100 - 112 | 50.0 | 10.0 | 19.5 | 7.5 x d | 15 x d | 15.4 |
| EWLM025GM-100 | 25.0 | 100 - 112 | 50.0 | 10.0 | 19.5 | 7.5 x d | 15 x d | 19.4 |
| EWLM030GM-100 | 30.0 | 100 - 112 | 50.0 | 10.0 | 19.5 | 7.5 x d | 15 x d | 23.2 |
| EWLM035GM-100 | 35.0 | 100 - 112 | 50.0 | 10.0 | 19.5 | 7.5 x d | 15 x d | 27.1 |
| EWLM040GM-100 | 40.0 | 100 - 112 | 50.0 | 10.0 | 19.5 | 7.5 x d | 15 x d | 30.9 |
| EWLM045GM-100 | 45.0 | 100 - 112 | 50.0 | 10.0 | 19.5 | 7.5 x d | 15 x d | 34.8 |
| EWLM050GM-100 | 50.0 | 100 - 112 | 50.0 | 10.0 | 19.5 | 7.5 x d | 15 x d | 38.6 |
| EWLM075GM-100 | 75.0 | 100 - 112 | 50.0 | 10.0 | 19.5 | 7.5 x d | 15 x d | 57.9 |
| EWLM100GM-100 | 100.0 | 100 - 112 | 50.0 | 10.0 | 19.5 | 7.5 x d | 15 x d | 77.1 |

* To VDE 298 laying system B2 at 25°C ambient temperature

** Sustained alternate bending not permissible

Caution: The cable cross-section must be dimensioned in accordance with the motor rated current.

Technical data - Servo motors

Cables suitable for trailing



Special connecting cables are often required for positioning and traversing drives powered by servo technology. We can provide users with cables suitable for trailing. In addition to

the advantages of standard cables, these cables have been custom-designed to be set continuously in motion.

| Type | Length (m) | Connector for motor frame size | Amp- acity * (A) | Core cross- section mm ² | Cable diameter mm | Bend radius | | Weight kg |
|---|---------------|--------------------------------------|---------------------------|--|-------------------------|--------------|---------------------------------|--------------|
| | | | | | | Fixed wiring | Cables suitable for trailing | |
| Cable suitable for trailing 2.5 mm² | | | | | | | | |
| EWLM002GMS025 | 2.0 | 056 - 090 | 20.0 | 2.5 | 12.8 | 5 x d | 10 x d | 1.4 |
| EWLM005GMS025 | 5.0 | 056 - 090 | 20.0 | 2.5 | 12.8 | 5 x d | 10 x d | 2.7 |
| EWLM010GMS025 | 10.0 | 056 - 090 | 20.0 | 2.5 | 12.8 | 5 x d | 10 x d | 4.0 |
| EWLM015GMS025 | 15.0 | 056 - 090 | 20.0 | 2.5 | 12.8 | 5 x d | 10 x d | 5.3 |
| EWLM020GMS025 | 20.0 | 056 - 090 | 20.0 | 2.5 | 12.8 | 5 x d | 10 x d | 6.6 |
| EWLM025GMS025 | 25.0 | 056 - 090 | 20.0 | 2.5 | 12.8 | 5 x d | 10 x d | 7.9 |
| EWLM030GMS025 | 30.0 | 056 - 090 | 20.0 | 2.5 | 12.8 | 5 x d | 10 x d | 9.2 |
| EWLM040GMS025 | 40.0 | 056 - 090 | 20.0 | 2.5 | 12.8 | 5 x d | 10 x d | 10.5 |
| EWLM050GMS025 | 50.0 | 056 - 090 | 20.0 | 2.5 | 12.8 | 5 x d | 10 x d | 20.5 |
| EWLM075GMS025 | 75.0 | 056 - 090 | 20.0 | 2.5 | 12.8 | 5 x d | 10 x d | 26.1 |
| EWLM100GMS025 | 100.0 | 056 - 090 | 20.0 | 2.5 | 12.8 | 5 x d | 10 x d | 32.1 |
| Cable suitable for trailing 4.0 mm² | | | | | | | | |
| EWLM002GMS040 | 2.0 | 100 - 112 | 28.0 | 4.0 | 14.0 | 5 x d | 10 x d | 1.1 |
| EWLM005GMS040 | 5.0 | 100 - 112 | 28.0 | 4.0 | 14.0 | 5 x d | 10 x d | 1.9 |
| EWLM010GMS040 | 10.0 | 100 - 112 | 28.0 | 4.0 | 14.0 | 5 x d | 10 x d | 3.6 |
| EWLM015GMS040 | 15.0 | 100 - 112 | 28.0 | 4.0 | 14.0 | 5 x d | 10 x d | 5.4 |
| EWLM020GMS040 | 20.0 | 100 - 112 | 28.0 | 4.0 | 14.0 | 5 x d | 10 x d | 7.1 |
| EWLM025GMS040 | 25.0 | 100 - 112 | 28.0 | 4.0 | 14.0 | 5 x d | 10 x d | 8.9 |
| EWLM030GMS040 | 30.0 | 100 - 112 | 28.0 | 4.0 | 14.0 | 5 x d | 10 x d | 11.5 |
| EWLM040GMS040 | 40.0 | 100 - 112 | 28.0 | 4.0 | 14.0 | 5 x d | 10 x d | 14.1 |
| EWLM050GMS040 | 50.0 | 100 - 112 | 28.0 | 4.0 | 14.0 | 5 x d | 10 x d | 17.6 |
| EWLM075GMS040 | 75.0 | 100 - 112 | 28.0 | 4.0 | 14.0 | 5 x d | 10 x d | 26.4 |
| EWLM100GMS040 | 100.0 | 100 - 112 | 28.0 | 24.0 | 14.0 | 5 x d | 10 x d | 35.1 |

If initial commissioning takes place in the factory prior to delivery to the customer, the entire system must be wired. Following commissioning, all connections must be unplugged.

Intermediate cables offer significant advantages in this respect. The motor connector is located at one end and a coupling at the other. This plug connection extends the length of the motor cable, thereby making it much easier to disassemble the system.

| Type | Length (m) | Connector for motor frame size | Amp- acity * (A) | Core cross- section mm ² | Cable diameter mm | Bend radius | | Weight kg |
|---|---------------|--------------------------------------|---------------------------|--|-------------------------|--------------|----------------|--------------|
| | | | | | | Fixed wiring | Flex. wiring** | |
| Intermediate cable for device 1.5 mm² | | | | | | | | |
| EWLM002GZ-015C | 2.5 | 056 - 090 | 15.0 | 1.5 | 13.5 | 7.5 x d | 15 x d | 0.7 |
| EWLM005GZ-015C | 5.0 | 056 - 090 | 15.0 | 1.5 | 13.5 | 7.5 x d | 15 x d | 1.1 |
| EWLM007GZ-015C | 7.5 | 056 - 090 | 15.0 | 1.5 | 13.5 | 7.5 x d | 15 x d | 1.6 |
| EWLM010GZ-015C | 0.0 | 056 - 090 | 15.0 | 1.5 | 13.5 | 7.5 x d | 15 x d | 2.0 |
| EWLM015GZ-015C | 15.0 | 056 - 090 | 15.0 | 1.5 | 13.5 | 7.5 x d | 15 x d | 2.9 |
| EWLM020GZ-015C | 20.0 | 056 - 090 | 15.0 | 1.5 | 13.5 | 7.5 x d | 15 x d | 3.8 |
| EWLM030GZ-015C | 30.0 | 056 - 090 | 15.0 | 1.5 | 13.5 | 7.5 x d | 15 x d | 5.6 |
| EWLM050GZ-015C | 50.0 | 056 - 090 | 15.0 | 1.5 | 13.5 | 7.5 x d | 15 x d | 9.2 |
| Intermediate cable for motor 1.5 mm² | | | | | | | | |
| EWLM002ZM-015C | 2.5 | 056 - 090 | 15.0 | 1.5 | 13.5 | 7.5 x d | 15 x d | 0.7 |
| EWLM005ZM-015C | 5.0 | 056 - 090 | 15.0 | 1.5 | 13.5 | 7.5 x d | 15 x d | 1.1 |
| EWLM007ZM-015C | 7.5 | 056 - 090 | 15.0 | 1.5 | 13.5 | 7.5 x d | 15 x d | 1.6 |
| EWLM010ZM-015C | 0.0 | 056 - 090 | 15.0 | 1.5 | 13.5 | 7.5 x d | 15 x d | 2.0 |
| EWLM015ZM-015C | 15.0 | 056 - 090 | 15.0 | 1.5 | 13.5 | 7.5 x d | 15 x d | 2.9 |
| EWLM020ZM-015C | 20.0 | 056 - 090 | 15.0 | 1.5 | 13.5 | 7.5 x d | 15 x d | 3.8 |
| EWLM030ZM-015C | 30.0 | 056 - 090 | 15.0 | 1.5 | 13.5 | 7.5 x d | 15 x d | 5.6 |
| EWLM050ZM-015C | 50.0 | 056 - 090 | 15.0 | 1.5 | 13.5 | 7.5 x d | 15 x d | 9.2 |

* To VDE 298 laying system B2 at 25°C ambient temperature

** Sustained alternate bending not permissible

Caution: The cable cross-section must be dimensioned in accordance with the motor rated current.

Technical data - Servo motors

Blower cables

Global Drive servo motors can be fitted with a blower at the non-drive end. The connection can be made via a cable.

On the motor side, the connection is made simply using a connector. Either standard cables or cables suitable for trailing can be used.

| Type | Length (m) | Cross-section/ No. of cores (mm ²) | Cable diameter mm | Bend radius | | Weight kg |
|------------------------------------|------------|---|-------------------|--------------|-----------------|-----------|
| | | | | Fixed wiring | Flex. wiring ** | |
| Standard cable | | | | | | |
| EWLL002GM | 2.5 | 0.5 | 7.2 | 10 x d | 15 x d | 0.3 |
| EWLL005GM | 5.0 | 0.5 | 7.2 | 10 x d | 15 x d | 0.4 |
| EWLL010GM | 10.0 | 0.5 | 7.2 | 10 x d | 15 x d | 0.7 |
| EWLL015GM | 15.0 | 0.5 | 7.2 | 10 x d | 15 x d | 1.0 |
| EWLL020GM | 20.0 | 0.5 | 7.2 | 10 x d | 15 x d | 1.3 |
| EWLL025GM | 25.0 | 0.5 | 7.2 | 10 x d | 15 x d | 1.6 |
| EWLL030GM | 30.0 | 0.5 | 7.2 | 10 x d | 15 x d | 1.9 |
| EWLL035GM | 35.0 | 0.5 | 7.2 | 10 x d | 15 x d | 2.2 |
| EWLL040GM | 40.0 | 0.5 | 7.2 | 10 x d | 15 x d | 2.5 |
| EWLL045GM | 45.0 | 0.5 | 7.2 | 10 x d | 15 x d | 2.8 |
| EWLL050GM | 50.0 | 0.5 | 7.2 | 10 x d | 15 x d | 3.1 |
| EWLL075GM | 75.0 | 0.5 | 7.2 | 10 x d | 15 x d | 4.6 |
| EWLL100GM | 100.0 | 0.5 | 7.2 | 10 x d | 15 x d | 6.1 |
| Cable suitable for trailing | | | | | | |
| EWLL002GMS | 2.5 | 0.5 | 7.0 | 6 x d | 10 x d | 0.3 |
| EWLL005GMS | 5.0 | 0.5 | 7.0 | 6 x d | 10 x d | 0.4 |
| EWLL010GMS | 10.0 | 0.5 | 7.0 | 6 x d | 10 x d | 0.7 |
| EWLL015GMS | 15.0 | 0.5 | 7.0 | 6 x d | 10 x d | 1.0 |
| EWLL020GMS | 20.0 | 0.5 | 7.0 | 6 x d | 10 x d | 1.3 |
| EWLL025GMS | 25.0 | 0.5 | 7.0 | 6 x d | 10 x d | 1.6 |
| EWLL035GMS | 30.0 | 0.5 | 7.0 | 6 x d | 10 x d | 1.9 |
| EWLL040GMS | 40.0 | 0.5 | 7.0 | 6 x d | 10 x d | 2.5 |
| EWLL050GMS | 50.0 | 0.5 | 7.0 | 6 x d | 10 x d | 3.1 |
| EWLL075GMS | 75.0 | 0.5 | 7.0 | 6 x d | 10 x d | 4.6 |
| EWLL100GMS | 100.0 | 0.5 | 7.0 | 6 x d | 10 x d | 6.1 |

Like the motor cable, a pluggable connection can be established with the blower cable.

This intermediate cable is fitted with a connector/plug at both ends.

| Type | Length (m) | Cross-section/ No. of cores (mm ²) | Cable diameter mm | Bend radius | | Weight kg |
|-------------------------------------|------------|---|-------------------|--------------|-----------------|-----------|
| | | | | Fixed wiring | Flex. wiring ** | |
| Intermediate cable for motor | | | | | | |
| EWLL002ZM | 2.5 | 0.5 | 7.2 | 10 x d | 15 x d | 0.4 |
| EWLL005ZM | 5.0 | 0.5 | 7.2 | 10 x d | 15 x d | 0.6 |
| EWLL007ZM | 7.5 | 0.5 | 7.2 | 10 x d | 15 x d | 0.9 |
| EWLL010ZM | 10.0 | 0.5 | 7.2 | 10 x d | 15 x d | 1.1 |
| EWLL015ZM | 15.0 | 0.5 | 7.2 | 10 x d | 15 x d | 1.6 |
| EWLL020ZM | 20.0 | 0.5 | 7.2 | 10 x d | 15 x d | 2.1 |
| EWLL030ZM | 30.0 | 0.5 | 7.2 | 10 x d | 15 x d | 3.1 |
| EWLL050ZM | 50.0 | 0.5 | 7.2 | 10 x d | 15 x d | 5.1 |

** Sustained alternate bending not permissible

Technical data - Servo motors

Resolver cables/Encoder cables



Resolvers are amongst the possible options that can be used for feedback. Cables with connectors at both ends are used to establish the connection between the drive controller and the motor.

These cables can be supplied in lengths of up to 100 metres. Resolver cables can also be extended using either standard intermediate cables or suitable for trailing.

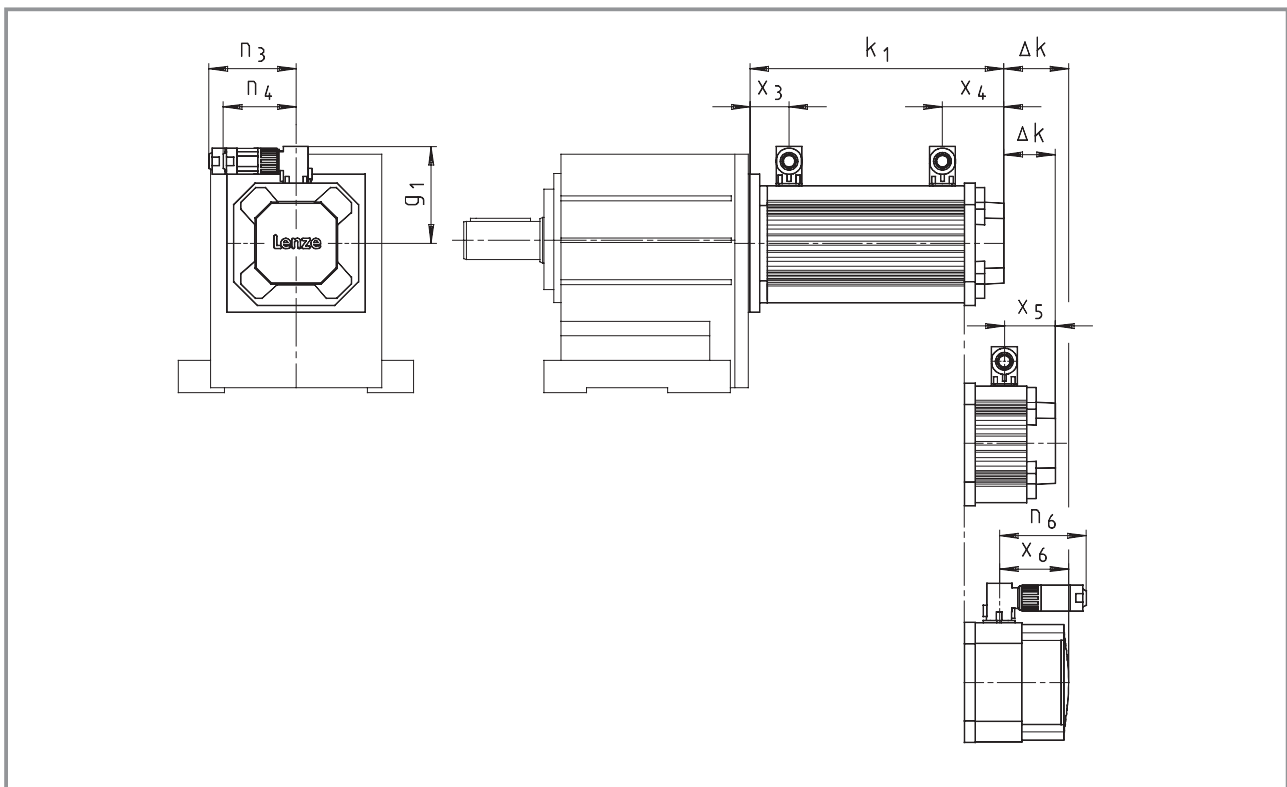
| Type | Length (m) | Cross-section/ No. of cores (mm ²) | Cable diameter mm | Bend radius | | Weight kg |
|---|------------|---|----------------------|--------------|-----------------|--------------|
| | | | | Fixed wiring | Flex. wiring ** | |
| Standard cable | | | | | | |
| EWLR002GM-T | 2.5 | 1x(2x0.5)+3x(2x0.14) | 9.3 | 7.5 x d | 15 x d | 0.4 |
| EWLR005GM-T | 5.0 | 1x(2x0.5)+3x(2x0.14) | 9.3 | 7.5 x d | 15 x d | 0.6 |
| EWLR010GM-T | 10.0 | 1x(2x0.5)+3x(2x0.14) | 9.3 | 7.5 x d | 15 x d | 1.1 |
| EWLR015GM-T | 15.0 | 1x(2x0.5)+3x(2x0.14) | 9.3 | 7.5 x d | 15 x d | 1.6 |
| EWLR020GM-T | 20.0 | 1x(2x0.5)+3x(2x0.14) | 9.3 | 7.5 x d | 15 x d | 2.1 |
| EWLR025GM-T | 25.0 | 1x(2x0.5)+3x(2x0.14) | 9.3 | 7.5 x d | 15 x d | 2.6 |
| EWLR030GM-T | 30.0 | 1x(2x0.5)+3x(2x0.14) | 9.3 | 7.5 x d | 15 x d | 3.1 |
| EWLR035GM-T | 35.0 | 1x(2x0.5)+3x(2x0.14) | 9.3 | 7.5 x d | 15 x d | 3.6 |
| EWLR040GM-T | 40.0 | 1x(2x0.5)+3x(2x0.14) | 9.3 | 7.5 x d | 15 x d | 4.1 |
| EWLR045GM-T | 45.0 | 1x(2x0.5)+3x(2x0.14) | 9.3 | 7.5 x d | 15 x d | 4.6 |
| EWLR050GM-T | 50.0 | 1x(2x0.5)+3x(2x0.14) | 9.3 | 7.5 x d | 15 x d | 5.1 |
| EWLR075GM-T | 75.0 | 1x(2x0.5)+3x(2x0.14) | 9.3 | 7.5 x d | 15 x d | 7.6 |
| EWLR100GM-T | 100.0 | 1x(2x0.5)+3x(2x0.14) | 9.3 | 7.5 x d | 15 x d | 10.1 |
| Intermediate cable suitable for trailing | | | | | | |
| EWLR005ZMST | 5.0 | 1x(2x0.5) + 3x(2x0.14) | 11.6 | 5 x d | 10 x d | 1.0 |
| EWLR010ZMST | 10.0 | 1x(2x0.5) + 3x(2x0.14) | 11.6 | 5 x d | 10 x d | 1.7 |
| EWLR015ZMST | 15.0 | 1x(2x0.5) + 3x(2x0.14) | 11.6 | 5 x d | 10 x d | 2.5 |
| EWLR020ZMST | 20.0 | 1x(2x0.5) + 3x(2x0.14) | 11.6 | 5 x d | 10 x d | 3.2 |
| EWLR025ZMST | 25.0 | 1x(2x0.5) + 3x(2x0.14) | 11.6 | 5 x d | 10 x d | 4.0 |
| EWLR030ZMST | 30.0 | 1x(2x0.5) + 3x(2x0.14) | 11.6 | 5 x d | 10 x d | 4.7 |
| EWLR040ZMST | 40.0 | 1x(2x0.5) + 3x(2x0.14) | 11.6 | 5 x d | 10 x d | 6.2 |
| EWLR050ZMST | 50.0 | 1x(2x0.5) + 3x(2x0.14) | 11.6 | 5 x d | 10 x d | 7.7 |
| EWLR075ZMST | 75.0 | 1x(2x0.5) + 3x(2x0.14) | 11.6 | 5 x d | 10 x d | 11.5 |
| EWLR100ZMST | 100.0 | 1x(2x0.5) + 3x(2x0.14) | 11.6 | 5 x d | 10 x d | 15.2 |
| Intermediate cable for resolver | | | | | | |
| EWLR002ZM-T | 2.5 | 1x(2x0.5) + 3x(2x0.14) | 9.3 | 7.5 x d | 15 x d | 0.4 |
| EWLR005ZM-T | 5.0 | 1x(2x0.5) + 3x(2x0.14) | 9.3 | 7.5 x d | 15 x d | 0.6 |
| EWLR007ZM-T | 7.5 | 1x(2x0.5) + 3x(2x0.14) | 9.3 | 7.5 x d | 15 x d | 0.9 |
| EWLR010ZM-T | 10.0 | 1x(2x0.5) + 3x(2x0.14) | 9.3 | 7.5 x d | 15 x d | 1.1 |
| EWLR015ZM-T | 15.0 | 1x(2x0.5) + 3x(2x0.14) | 9.3 | 7.5 x d | 15 x d | 1.6 |
| EWLR020ZM-T | 20.0 | 1x(2x0.5) + 3x(2x0.14) | 9.3 | 7.5 x d | 15 x d | 2.1 |
| EWLR030ZM-T | 30.0 | 1x(2x0.5) + 3x(2x0.14) | 9.3 | 7.5 x d | 15 x d | 3.1 |
| EWLR050ZM-T | 50.0 | 1x(2x0.5) + 3x(2x0.14) | 9.3 | 7.5 x d | 15 x d | 5.1 |
| Encoder cable standard cable | | | | | | |
| EWLE002GM-T | 2.5 | 1x(2x1.0) + 4x(2x0.14) | 10.7 | 7.5 x d | 15 x d | 0.4 |
| EWLE005GM-T | 5.0 | 1x(2x1.0) + 4x(2x0.14) | 10.7 | 7.5 x d | 15 x d | 0.7 |
| EWLE010GM-T | 10.0 | 1x(2x1.0) + 4x(2x0.14) | 10.7 | 7.5 x d | 15 x d | 1.4 |
| EWLE015GM-T | 15.0 | 1x(2x1.0) + 4x(2x0.14) | 10.7 | 7.5 x d | 15 x d | 2.1 |
| EWLE020GM-T | 20.0 | 1x(2x1.0) + 4x(2x0.14) | 10.7 | 7.5 x d | 15 x d | 2.8 |
| EWLE025GM-T | 25.0 | 1x(2x1.0) + 4x(2x0.14) | 10.7 | 7.5 x d | 15 x d | 3.4 |
| EWLE030GM-T | 30.0 | 1x(2x1.0) + 4x(2x0.14) | 10.7 | 7.5 x d | 15 x d | 4.1 |
| EWLE035GM-T | 35.0 | 1x(2x1.0) + 4x(2x0.14) | 10.7 | 7.5 x d | 15 x d | 4.8 |
| EWLE040GM-T | 40.0 | 1x(2x1.0) + 4x(2x0.14) | 10.7 | 7.5 x d | 15 x d | 5.5 |
| EWLE045GM-T | 45.0 | 1x(2x1.0) + 4x(2x0.14) | 10.7 | 7.5 x d | 15 x d | 6.2 |
| EWLE050GM-T | 50.0 | 1x(2x1.0) + 4x(2x0.14) | 10.7 | 7.5 x d | 15 x d | 6.9 |
| EWLE075GM-T | 75.0 | 1x(2x1.0) + 4x(2x0.14) | 10.7 | 7.5 x d | 15 x d | 10.3 |
| EWLE100GM-T | 100.0 | 1x(2x1.0) + 4x(2x0.14) | 10.7 | 7.5 x d | 15 x d | 13.8 |

** Sustained alternate bending not permissible

Dimensions - Servo motors

Built-on accessories for motors and connectors for motor connection

Built-on accessories for motors and connectors for motor connection



Dimensions - Servo motors

Built-on accessories for motors and connectors for motor connection



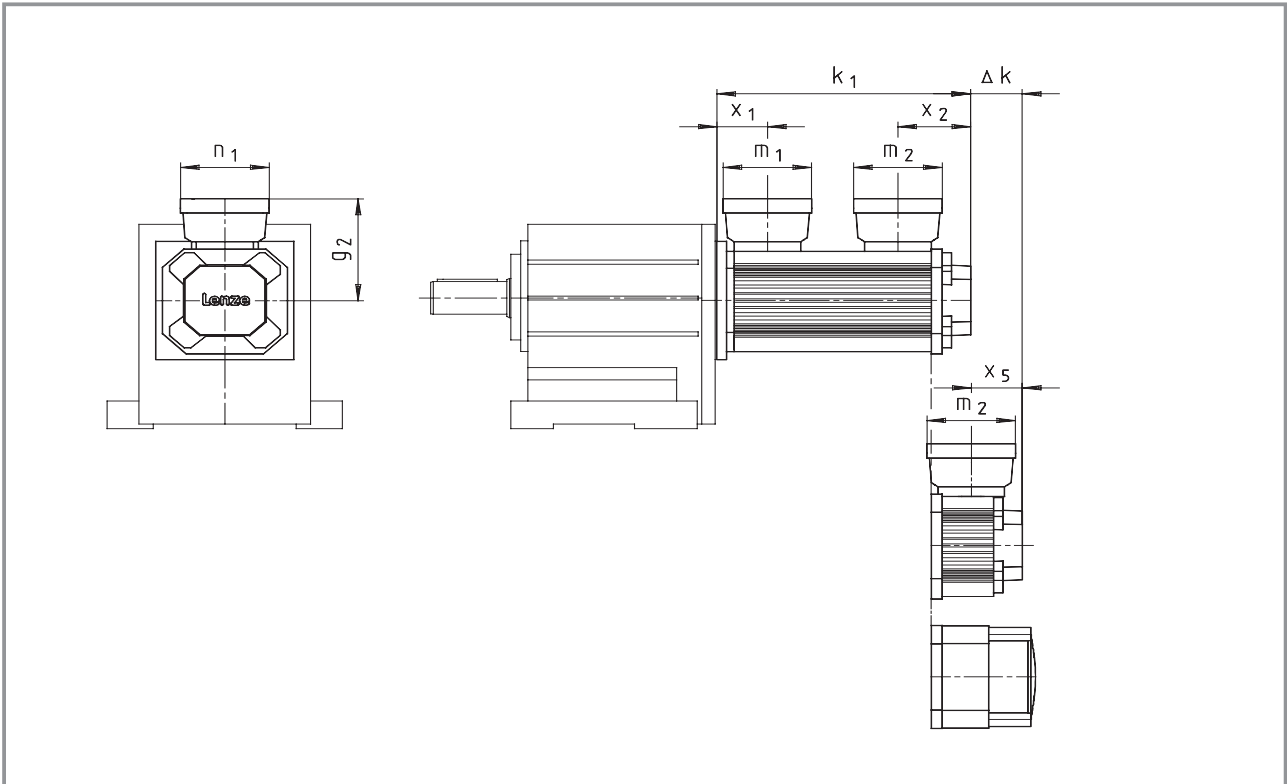
| Geared servo motor | | S (synchronous servo motors) | | | | | A (asynchronous servo motors) | | | | | |
|--|----------------------|------------------------------|-----|-----|-----|-----|-------------------------------|-----|-----|-----|-----|-----|
| | | 056 | | 071 | | | 056 | | 112 | | | |
| | | C23 | C33 | C03 | C13 | C33 | C22 | C22 | C22 | C22 | C22 | |
| Built-on accessories | | k1 | | | | | | | | | | |
| Resolver | naturally ventilated | 207 | 242 | 215 | 250 | 285 | 258 | 267 | 307 | 346 | 408 | 479 |
| Further built-on accessories | | Δk | | | | | | | | | | |
| Resolver | forced ventilated | - | - | - | 68 | - | - | 68 | 62 | 89 | 97 | 96 |
| SinCos absolute value encoder | naturally ventilated | 54 | - | - | 54 | - | 54 | 54 | 55 | 54 | 50 | 49 |
| | forced ventilated | - | - | - | 122 | - | - | 122 | 117 | 143 | 147 | 144 |
| Incremental encoder | naturally ventilated | - | - | - | - | - | 54 | 54 | 55 | 54 | 50 | 49 |
| | forced ventilated | - | - | - | - | - | - | 122 | 117 | 143 | 147 | 144 |
| Brake+resolver | naturally ventilated | 27 | - | - | 35 | - | 25 | 35 | 33 | 35 | 38 | 42 |
| | forced ventilated | - | - | - | 103 | - | - | 103 | 95 | 124 | 135 | 138 |
| Brake+SinCos absolute value encoder | naturally ventilated | 80 | - | - | 89 | - | 79 | 89 | 88 | 89 | 88 | 91 |
| | forced ventilated | - | - | - | 157 | - | - | 157 | 150 | 178 | 185 | 186 |
| Brake+incremental encoder | naturally ventilated | - | - | - | - | - | 79 | 89 | 88 | 89 | 88 | 91 |
| | forced ventilated | - | - | - | - | - | - | 157 | 150 | 178 | 185 | 186 |
| Power connector | | | | | | | | | | | | |
| Without brake | x ₃ | 30 | - | - | 33 | - | 38 | 41 | 46 | 49 | 63 | 71 |
| | g ₁ | 90 | - | - | 102 | - | 90 | 102 | 109 | 117 | 136 | 147 |
| | n ₃ | 92 | - | - | 92 | - | 92 | 92 | 92 | 92 | 147 | 147 |
| Brake | x ₃ | 55 | - | - | 68 | - | 55 | 68 | 73 | 81 | 98 | 111 |
| | g ₁ | 90 | - | - | 102 | - | 90 | 102 | 109 | 117 | 136 | 147 |
| | n ₃ | 92 | - | - | 92 | - | 92 | 92 | 92 | 92 | 147 | 147 |
| Encoder connector | | | | | | | | | | | | |
| Resolver | x ₄ | 58 | - | - | 57 | - | 61 | 65 | 72 | 73 | 73 | 78 |
| | g ₁ | 90 | - | - | 102 | - | 90 | 102 | 109 | 117 | 131 | 142 |
| | n ₄ | 77 | - | - | 77 | - | 77 | 77 | 77 | 77 | 77 | 77 |
| SinCos absolute value encoder | x ₄ | - | - | - | 57 | - | - | 65 | 72 | 73 | 73 | 78 |
| | x ₅ | 54 | - | - | - | - | 54 | - | - | - | - | - |
| | g ₁ | 90 | - | - | 102 | - | 90 | 102 | 109 | 117 | 131 | 142 |
| Incremental encoder | n ₄ | 77 | - | - | 77 | - | 77 | 77 | 77 | 77 | 77 | 77 |
| | x ₄ | - | - | - | - | - | - | 65 | 72 | 73 | 73 | 78 |
| | x ₅ | - | - | - | - | - | 54 | - | - | - | - | - |
| All built-on accessories forced ventilated | g ₁ | - | - | - | - | - | 90 | 102 | 109 | 117 | 131 | 142 |
| | n ₄ | - | - | - | - | - | 77 | 77 | 77 | 77 | 77 | 77 |
| | x ₆ | - | - | - | 73 | - | - | 73 | 67 | 95 | 103 | 95 |
| All built-on accessories forced ventilated | g ₁ | - | - | - | 104 | - | - | 104 | 112 | 120 | 134 | 146 |
| | n ₆ | - | - | - | 92 | - | - | 92 | 92 | 92 | 92 | 92 |

Dimensions in [mm]

Dimensions - Servo motors

Terminal box for motor connection

Terminal box for motor connection



| Geared servo motor | Synchronous motors | | | | | Asynchronous motors | | | | | |
|-------------------------------------|--------------------|-----|-----|-----|-----|------------------------|-----|-----|-----|--|--------|
| | 056 | | 071 | | | 056 | 071 | 080 | 090 | 100 | 112 |
| | C23 | C33 | C03 | C13 | C33 | C22 | C22 | C22 | C22 | C22 | C22 |
| g_2 | 113 | | 125 | | | 113 | 125 | 132 | 140 | 158 | 169 |
| m_1 | | | | | | 93 | | | | 120 | |
| m_2 | | | | | | 93 | | | | 93*/120 | |
| n_1 | | | | | | 93 | | | | 109 | |
| x_1 | 54 | 60 | 53 | | | 60 | 53 | 58 | 61 | 80 | 93 |
| Resolver k_1 | 207 | 242 | 215 | 250 | 285 | 258 | 267 | 307 | 346 | 408 | 479 |
| x_2 | 60 | 78 | 69 | 77 | 77 | 78 | 77 | 84 | 85 | 87/93* | 92/97* |
| SinCos absolute value encoder x_2 | - | | 69 | 77 | 77 | - | 77 | 84 | 85 | 87/93* | 92/97* |
| Incremental encoder $\Delta k/x_5$ | 54/50 | | - | | | 54/50 | - | - | - | - | - |
| x_2 | | | | | | - | 77 | 84 | 85 | 87/93* | 92/97* |
| $\Delta k/x_5$ | | | | | | - | - | - | - | - | - |
| Cable glands in position 5 | | | | | | 1xM16x1.5 1xM20x1.5 | | | | 1xM16x1.5*/1xM25x1.5 1xM20x1.5*/1xM32x1.5 | |

Dimensions in [mm]

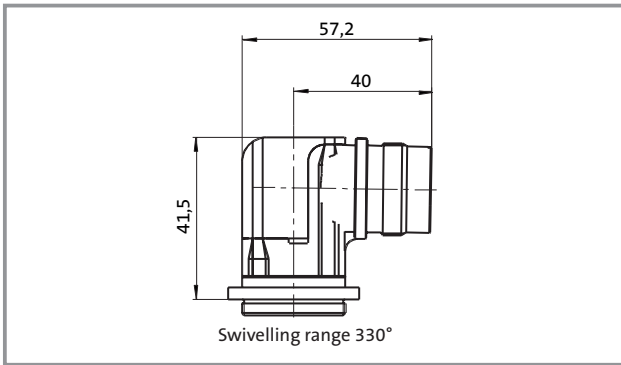
Position of cable glands in relation to terminal box position 2

* Only with terminal box for tachogenerator/position encoder/blower in IP54

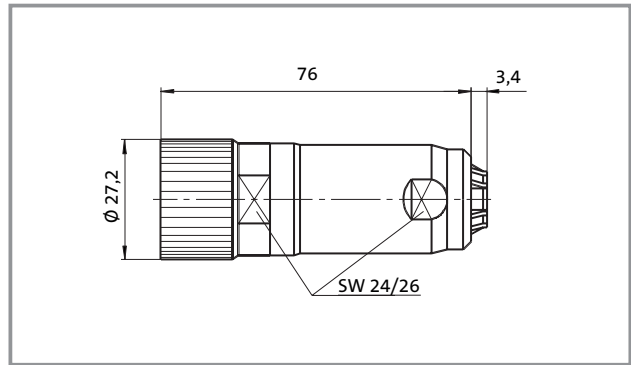


Power connection

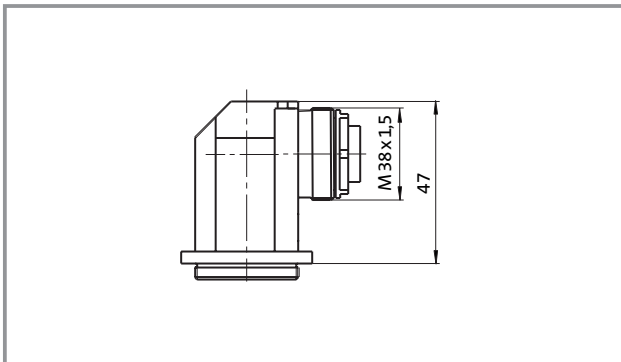
Angle socket for motor frame size 056 ... 090



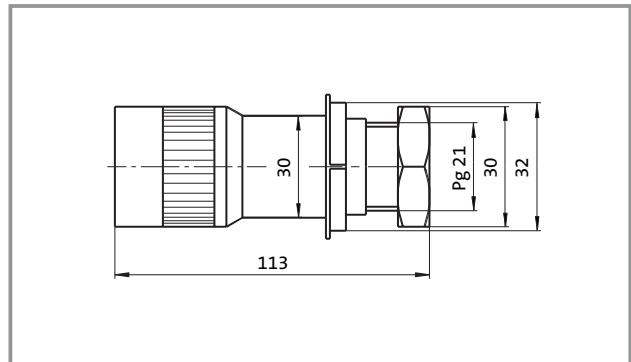
Connector for frame size 056 ... 090



Angle socket for motor frame size 100 ... 112

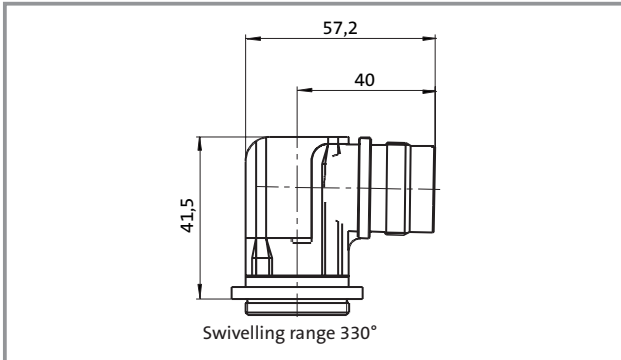


Connector for frame size 100 ... 112

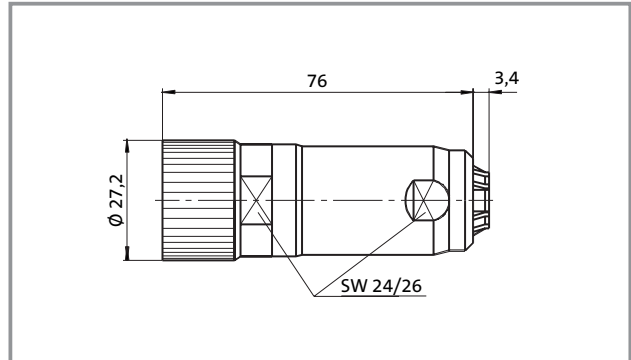


Blower connection

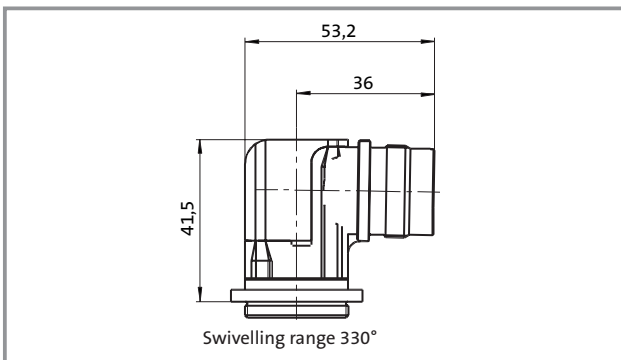
Angle socket for fan



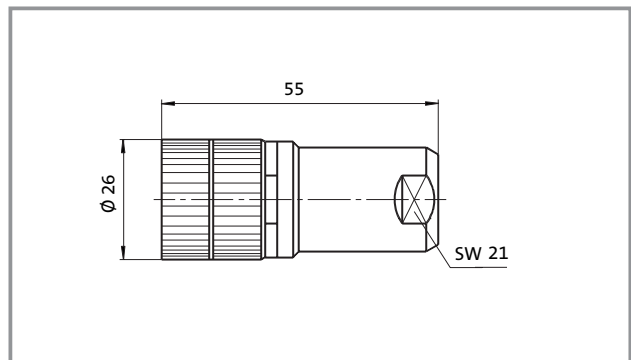
Connector



Encoder connection (resolver/SinCos/incremental encoder)
Angle socket



Connector





Servo inverter | G-motion servo MD

Technical data

Rated data _____ 9-2

Accessories _____ 9-5

**More technical data appears in the
servo inverters catalogue.**

Technical data - Servo inverters

Rated data

| Type | | 9321 | 9322 | 9323 | 9324 | 9325 |
|--|--|---|--------------------------|--------------------------|--------------------------|------------|
| Order no. servo inverter | | EVS9321-ES | EVS9322-ES | EVS9323-ES | EVS9324-ES | EVS9325-ES |
| Order no. servo register controller | | EVS9321-ER | EVS9322-ER | EVS9323-ER | EVS9324-ER | EVS9325-ER |
| Order no. servo cam profiler | | EVS9321-EK | EVS9322-EK | EVS9323-EK | EVS9324-EK | EVS9325-EK |
| Order no. servo position controller | | EVS9321-EP | EVS9322-EP | EVS9323-EP | EVS9324-EP | EVS9325-EP |
| Mains voltage | U_{mains} [V] | 320 V ... 528 V \pm 0% ; 45 Hz ... 65 Hz \pm 0% | | | | |
| Alternative DC supply | UDC [V] | 460 V ... 740 V +/-0% | | | | |
| Data for operation on a mains supply: 3 AC/400 V/50 Hz/ 60 Hz | | | | | | |
| Motor power (4-pole ASM) | P_r [kW] | 0.37 | 0.75 | 1.5 | 3.0 | 5.5 |
| Output current (8 kHz) | I_{N8} [A] | 1.5 / 1.05 ¹⁾ | 2.5 / 1.7 ¹⁾ | 3.9 / 2.6 ¹⁾ | 7.0 / 4.7 ¹⁾ | 13.0 |
| Output current (16 kHz) | I_{N16} [A] | 1.1 / 0.77 ¹⁾ | 1.8 / 1.26 ¹⁾ | 2.9 / 2.03 ¹⁾ | 5.2 / 3.64 ¹⁾ | 9.7 |
| Output power | S_{N8} [kVA] | 1.0 | 1.7 | 2.7 | 4.8 | 9.0 |
| Data for operation on a mains supply: 3 AC/480 V/50 Hz/ 60 Hz | | | | | | |
| Motor power (4-pole ASM) | P_r [kW] | 0.37 | 0.75 | 1.5 | 3.0 | 5.5 |
| Output current (8 kHz) | I_{N8} [A] | 1.5 / 1.05 ¹⁾ | 2.5 / 1.7 ¹⁾ | 3.9 / 2.6 ¹⁾ | 7.0 / 4.7 ¹⁾ | 13.0 |
| Output current (16 kHz) | I_{N16} [A] | 1.1 / 0.77 ¹⁾ | 1.8 / 1.26 ¹⁾ | 2.9 / 2.03 ¹⁾ | 5.2 / 3.64 ¹⁾ | 9.7 |
| Output power | S_{N8} [kVA] | 1.2 | 2.1 | 3.2 | 5.8 | 10.8 |
| Max. output current at 8 kHz | I_{max} | 2.3 / 3.0 ¹⁾ | 3.8 / 5.0 ¹⁾ | 5.9 / 7.8 ¹⁾ | 10.5 / 14 ¹⁾ | 19.5 |
| Max. output current at 16 kHz | I_{max} | 1.65 / 2.2 ¹⁾ | 2.7 / 3.6 ¹⁾ | 4.4 / 5.8 ¹⁾ | 7.8 / 10.4 ¹⁾ | 14.6 |
| Mains current at U_{mains} 400 V | I_r [A] | 1.5 | 2.5 | 3.9 | 7.0 | 12.0 |
| Motor voltage | U_M [V] | 3 ~ 0 ... U_{mains} | | | | |
| Power loss at U_{mains} 400 V | P_{loss} [W] | 100 | 110 | 140 | 200 | 260 |
| Power reduction | $\left[\frac{\%}{K} \right]$ $\left[\frac{\%}{m} \right]$ | 40°C < T_{amb} < 50°C: 2%/K 1000 m amsl ... 4000 m amsl: 5%/1000m | | | | |
| Dimensions | Width | 78 | 78 | 97 | 97 | 135 |
| | Height | 350 | 350 | 350 | 350 | 350 |
| | Depth | 250 | 250 | 250 | 250 | 250 |
| Weight | m [kg] | 3.5 | 3.5 | 5.0 | 5.0 | 7.5 |

1) Operating mode drive for accelerating duty



Technical data - Servo inverter

Rated data

| Type | | 9326 | 9327 | 9328 | 9329 |
|--|--------------------------------|--|------------|------------|------------|
| Order no. servo inverter | | EVS9326-ES | EVS9327-ES | EVS9328-ES | EVS9329-ES |
| Order no. servo register controller | | EVS9326-ER | EVS9327-ER | EVS9328-ER | EVS9329-ER |
| Order no. servo cam profiler | | EVS9326-EK | EVS9327-EK | EVS9328-EK | EVS9329-EK |
| Order no. servo position controller | | EVS9326-EP | EVS9327-EP | EVS9328-EP | EVS9329-EP |
| Mains voltage | U_{mains} [V] | 320 V ... 528 V \pm 0% ; 45 Hz ... 65 Hz \pm 0% | | | |
| Alternative DC supply | UDC [V] | 460 V ... 740 V +/-0% | | | |
| Data for operation on a mains supply: 3 AC/400 V/50 Hz/ 60 Hz | | | | | |
| Motor power (4-pole ASM) | P_r [kW] | 11.0 | 15.0 | 22.0 | 30.0 |
| Output current at 8 kHz | I_{N8} [A] | 23.5 | 32.0 | 47.0 | 59.0 |
| Output current at 16 kHz | I_{N16} [A] | 15.3 | 20.8 | 30.6 | 38.0 |
| Output power | S_r [kVA] | 16.3 | 22.2 | 32.6 | 40.9 |
| Data for operation on a mains supply: 3 AC/480 V/50 Hz/ 60 Hz | | | | | |
| Motor power (4-pole ASM) | P_r [kW] | 11.0 | 18.5 | 30.0 | 37.0 |
| Output current at 8 kHz | I_{N8} [A] | 22.3 | 30.4 | 44.7 | 56.0 |
| Output current at 16 kHz | I_{N16} [A] | 14.5 | 19.2 | 28.2 | 35.0 |
| Output power | S_r [kVA] | 18.5 | 25.0 | 37.0 | 46.6 |
| Max. output current at 8 kHz | I_{max} | 35.3 | 48.0 | 70.5 | 88.5 |
| Max. output current at 16 kHz | I_{max} | 22.9 | 31.2 | 45.9 | 57 |
| Mains current at U_{mains} 400 V | I_r [A] | 20.5 | 27.0 | 44.0 | 53.0 |
| Motor voltage | U_M [V] | 3 ~ 0 ... U_{mains} | | | |
| Power loss at U_{mains} 400 V | P_{loss} [W] | 360 | 430 | 640 | 810 |
| Power reduction | $\frac{[\%/\text{K}]}{[\%/m]}$ | 40°C < Tamb < 50°C: 2%/K 1000 m amsl ... 4000 m amsl: 5 %/1000m | | | |
| Dimensions | Width | 135 | 250 | 250 | 250 |
| | Height | 350 | 350 | 350 | 350 |
| | Depth | 250 | 250 | 250 | 250 |
| Weight | m [kg] | 7.5 | 12.5 | 12.5 | 12.5 |



Technical data - Servo inverters

Rated data

| Type | | 9330 | 9331 | 9332 |
|--|--------------------------------|---|------------|------------|
| Order no. servo inverter | | EVS9330-ES | EVS9331-ES | EVS9332-ES |
| Order no. servo register controller | | EVS9330-ER | EVS9331-ER | EVS9332-ER |
| Order no. servo cam profiler | | EVS9330-EK | EVS9331-EK | EVS9332-EK |
| Order no. servo position controller | | EVS9330-EP | EVS9331-EP | EVS9332-EP |
| Mains voltage | U_{mains} [V] | 320 V ... 528 V \pm 0% ; 45 Hz ... 65 Hz \pm 0% | | |
| Alternative DC supply | UDC [V] | 460 V ... 740 V +/-0% | | |
| Data for operation on a mains supply: 3 AC/400 V/50 Hz/ 60 Hz | | | | |
| Motor power (4-pole ASM) | P_r [kW] | 45.0 | 55.0 | 75.0 |
| Output current at 8 kHz | I_{N8} [A] | 89.0 | 110.0 | 145.0 |
| Output current at 16 kHz | I_{N16} [A] | 58.0 | 70.0 | 90.0 |
| Output power | S_r [kVA] | 51.5 | 76.2 | 100.9 |
| Data for operation on a mains supply: 3 AC/480 V/50 Hz/ 60 Hz | | | | |
| Motor power (4-pole ASM) | P_r [kW] | 45.0 | 55.0 | 90.0 |
| Output current at 8 kHz | I_{N8} [A] | 84.0 | 105.0 | 125.0 |
| Output current at 16 kHz | I_{N16} [A] | 55.0 | 65.0 | 80.0 |
| Output power | S_r [kVA] | 69.8 | 87.8 | 104.0 |
| Max. output current at 8 kHz | I_{max} | 133.5 | 165.0 | 225.0 |
| Max. output current at 16 kHz | I_{max} | 87 | 105 | 135 |
| Mains current at U_{mains} 400 V | I_r [A] | 78.0 | 96.4 | 129.1 |
| Motor voltage | U_M [V] | $3 \sim 0 \dots U_{\text{mains}}$ | | |
| Power loss at U_{mains} 400 V | P_{loss} [W] | 1100 | 1470 | 1960 |
| Power reduction | $\frac{[\%/\text{K}]}{[\%/m]}$ | 40°C < T_{amb} < 50°C: 2%/K 1000 m amsl ... 4000 m amsl: 5%/1000m | | |
| Dimensions | Width | 340 | 450 | 450 |
| | Height | 591 | 680 | 680 |
| | Depth | 285 | 285 | 285 |
| Weight | m [kg] | 36.5 | 59.0 | 59.0 |





Accessories for all drives

| Designation | Order no. |
|--|----------------|
| Operating module 9371 | EMZ9371BB |
| Digital display | EPD203 |
| Diagnosis terminal | EMZ9372BB |
| Setpoint potentiometer | ERPD0010k0001W |
| Rotary knob for potentiometer | ERZ0001 |
| Scale for potentiometer | ERZ0002 |
| RS232/485 fieldbus module | EMF2102IB-V001 |
| RS485 fieldbus module | EMF2102IB-V002 |
| Level converter for RS485 | EMF2101IB |
| PC system cable RS232/485 | EWL0020 |
| PC program for Global Drive drive controller | ESP-GDC |
| Fibre optic fieldbus module | EMF2102IB-V003 |
| Optical fibre adapter for PLC 0...40 m | EMF2125IB |
| Power supply unit for FO adapter 2125 | EJ0013 |
| INTERBUS-S module | EMF2111IB |
| PROFIBUS module | EMF2131IB |
| Terminal extension | EMZ9374IB |
| PC system bus converter | EMF2173IB |
| BCD decade switch | |
| Operator terminal | |

Type-specific accessories 9321-9324

| Designation | Order no. | | | |
|---|---------------|---------------|---------------|---------------|
| | 9321 | 9322 | 9323 | 9324 |
| Circuit breaker | EFA3B06A | EFA3B06A | EFA3B10A | EFA3B10A |
| Fuse | EFSM-0060AWE | EFSM-0060AWE | EFSM-0100AWE | EFSM-0100AWE |
| Fuse holder | EFH1001 | EFH1001 | EFH1001 | EFH1001 |
| Mains filter type A | EZN3A2400H002 | EZN3A1500H003 | EZN3A0900H004 | EZN3A0500H007 |
| Mains filter type B | EZN3B2400H002 | EZN3B1500H003 | EZN3B0900H004 | EZN3B0500H007 |
| Brake module | EMB9351-E | EMB9351-E | EMB9351-E | EMB9351-E |
| Brake chopper | EMB9352-E | EMB9352-E | EMB9352-E | EMB9352-E |
| Brake resistor | ERBD180R300W | ERBD180R300W | ERBD082R600W | ERBD068R800W |
| Thermal separation (push-through technique) | EJ0036 | EJ0036 | EJ0037 | EJ0037 |
| DC bus fuse | EFSCC0060AYJ | EFSCC0060AYJ | EFSCC0080AYJ | EFSCC0120AYJ |
| Fuse holder | EFH20004 | EFH20004 | EFH20004 | EFH20004 |

Type-specific accessories 9325-9328

| Designation | Order no. | | | |
|---|---------------|---------------|---------------|---------------|
| | 9325 | 9326 | 9327 | 9328 |
| Circuit breaker | EFA3B20A | EFA3B32A | – | – |
| Fuse | EFSM-0200AWE | EFSM-0320AWH | EFSFF-0630AYJ | EFSFF-0630AYJ |
| Fuse holder | EFH1001 | EFH1001 | EFH1001 | EFH1001 |
| Mains filter type A | EZN3A0300H013 | EZN3A0150H024 | EZN3A0110H030 | EZN3A0080H042 |
| Mains filter type B | EZN3B0300H013 | EZN3B0150H024 | EZN3B0110H030 | EZN3B0080H042 |
| Brake module | EMB9351-E | EMB9351-E | EMB9351-E | EMB9351-E |
| Brake chopper | EMB9352-E | EMB9352-E | EMB9352-E | EMB9352-E |
| Brake resistor | ERBD047R01k2 | ERBD047R01k2 | ERBD022R03k0 | ERBD022R03k0 |
| Thermal separation (push-through technique) | EJ0038 | EJ0038 | EJ0011 | EJ0011 |
| DC bus fuse | EFSCC0200AYJ | EFSCC0400AYJ | EFSCC0500AYJ | EFSCC0800AYJ |
| Fuse holder | EFH20004 | EFH20004 | EFH20004 | EFH20004 |

Type-specific accessories 9329-9332

| Designation | Order no. | | | |
|---|---------------|-------------------|-------------------|-------------------|
| | 9329 | 9330 | 9331 | 9332 |
| Mains filter type A | EZN3A0055H060 | EZN3A0037H090 | EZN3A0022H150 | EZN3A0022H150 |
| Mains filter type B | EZN3B0055H060 | EZN3B0037H090 | EZN3B0022H150 | EZN3B0022H150 |
| Brake module | EMB9351-E | EMB9351-E | EMB9351-E | EMB9351-E |
| Brake chopper | EMB9352-E | EMB9352-E | EMB9352-E | EMB9352-E |
| Brake resistor | ERBD018R03k0 | ERBD022R03k0 (2x) | ERBD018R03k0 (2x) | ERBD022R03k0 (3x) |
| Thermal separation (push-through technique) | EJ0011 | | | |
| DC bus fuse | EFSCC1000AYJ | EFSCC0800AYJ (2x) | EFSCC1000AYJ (2x) | EFSCC0800AYJ (3x) |
| Fuse holder | EFH20004 | EFH20004 (2x) | EFH20004 (2x) | EFH20004 (3x) |



Lenze worldwide

Lenze AG

Postfach 10 13 52
D-31763 Hameln
Telefon +49 (0)51 54/82-0
Telefax +49 (0)51 54/82-28 00
E-Mail: Lenze@Lenze.de
Internet: www.Lenze.com

Lenze Drive Systems GmbH

Postfach 10 13 52, D-31763 Hameln
Telefon +49 (0)51 54 / 82-0
Telefax +49 (0)51 54 / 82-28 00

Lenze GmbH & Co KG Anlagenbau

Buchenweg 1
D-31855 Aerzen
Telefon +49 (0)51 54 / 82-0
Telefax +49 (0)51 54 / 82-21 00

Lenze GmbH & Co KG Kleinantriebe

Hans-Lenze-Straße 1
D-32699 Extertal
Telefon +49 (0)51 54 / 82-0
Telefax +49 (0)51 54 / 82-14 85

Lenze Service GmbH

Breslauer Straße 3
D-32699 Extertal
Mechanical Drives
Telefon +49 (0)51 54 / 82-16 26
Telefax +49 (0)51 54 / 82-13 96
Electronic Drives
Telefon +49 (0)51 54 / 82-11 11
Telefax +49 (0)51 54 / 82-11 12
Service Helpline
+49 (0)180 5 20 24 26

Lenze Verbindungstechnik GmbH

IpF-Landesstraße 1
A-4481 ASTEN
Phone +43 (0)72 24 / 21 1-0
Telefax +43 (0)72 24 / 21 19 98

Lenze DETO Drive Systems GmbH & Co KG

Gewerbepark Süd 11
A-6330 Kufstein
Telefon +43 (0)53 72 / 6 53 15-200
Telefax +43 (0)53 72 / 6 53 15-299

Lenze Digitec Controls GmbH

Grünstraße 36
D-40667 Meerbusch
Telefon +49 (0)21 32 / 99 04-0
Telefax +49 (0)21 32 / 7 21 90

LS Automation GmbH & Co KG

Jakob-Stadler-Platz 11
D-78467 Konstanz
Telefon +49 (0)75 31 / 9 42 19-0
Telefax +49 (0)75 31 / 9 42 19 20

encoway GmbH

Universitätsallee 21-23
D-28359 Bremen
Telefon +49 (0)4 21 / 2 46 77-0
Telefax +49 (0)4 21 / 2 46 77-10

DEUTSCHLAND/GERMANY

Lenze Vertrieb GmbH

Ludwig-Erhard-Straße 52-56
D-72760 Reutlingen
Telefon +49 (0)71 21 / 9 39 39-0
Telefax +49 (0)71 21 / 9 39 39-29

Region Nord
Dornenpark 1
31840 Hessisch Oldendorf
Telefon (0 51 52) 90 36-0
Telefax (0 51 52) 90 36-33/44/55

Region West
Postfach 10 12 20
47497 Neukirchen-Vluyn
Kelvinstraße 7
47506 Neukirchen-Vluyn
Telefon (0 28 45) 95 93-0
Telefax (0 28 45) 95 93 93

Region Mitte/Ost
Postfach 1463
35724 Herborm
Austraße 81
35745 Herborm
Telefon (0 27 72) 95 94-0
Telefax (0 27 72) 5 30 79

Region Südwest
Postfach 14 33
71304 Waiblingen
Schänzle 8
71332 Waiblingen
Telefon (0 71 51) 9 59 81-0
Telefax (0 71 51) 9 59 81 50

Region Süd
Fraunhoferstraße 16
82152 Martinsried
Telefon (0 89) 89 56 14-0
Telefax (0 89) 89 56 14 14

WELTWEIT/WORLDWIDE

ALGERIA

see FRANCE

ARGENTINA *

E.R.H.S.A.
Girardot 1368, 1427 BUENOS AIRES
Phone +54 (0)11 / 45 54 32 32
Telefax +54 (0)11 / 45 52 36 11

AUSTRALIA *

FCR Motion Technology Pty. Ltd.
Unit 6, Automation Place
38-40 Little Boundary Rd.
LAVERTON NORTH, Vic. 3026
Phone +61 (3) 9362 6800
Telefax +61 (3) 9314 3744

AUSTRIA *

Lenze Antriebstechnik GmbH
IpF-Landesstraße 1
4481 ASTEN
Phone +43 (0)7224 / 21 0-0
Telefax +43 (0)7224 / 21 09 99
Office Dornbirn:
Lustenauer Straße 64
6850 DORNBIERN
Phone +43 (0)5572 / 26 789-0
Telefax +43 (0)5572 / 26 789-66

Office Wr. Neudorf:
Triester Straße 14/109
2351 WR. NEUDORF
Phone +43 (0)2236 / 2 53 33-0
Telefax +43 (0)2236 / 2 53 33-66

Office Graz:
Seering 8
8141 ÜNTERPREMSTÄTTEN
Phone +43 (0)3135 / 56 900-0
Telefax +43 (0)3135 / 56 900 999

Lenze Verbindungstechnik GmbH
IpF-Landesstraße 1
4481 ASTEN
Phone +43 (0)7224 / 21 1-0
Telefax +43 (0)7224 / 21 19 98

Lenze Anlagentechnik GmbH
Mühlenstraße 3
4470 ENNS
Phone +43 (0)7223 / 886-0
Telefax +43 (0)7223 / 886-997

BELGIUM *

Lenze bv.ba
Noorderlaan 133
bus 15
2030 ANTWERPEN
Phone +32 (0)3 / 54 26 20 0
Telefax +32 (0)3 / 54 13 75 4

BOSNIA-HERZEGOVINA

see AUSTRIA

BRAZIL *

AC Control Ltda
Rua Gustavo da Silveira 1199
Vila Sta. Catarina
SÃO PAULO – S.P.
04376-000
Phone +55 (11) 55 64 65 79 ramal: 214
Telefax +55 (11) 56 79 75 10

BULGARIA

see MACEDONIA

CANADA *

see USA

CHILE

Sargent S.A.
Tecnica Thomas C. Sargent
S.A.C.E.I.
Casilla 166-D
SANTIAGO DE CHILE
Phone +56 (0)2 / 51 03 000
Telefax +56 (0)2 / 69 83 989

CHINA *

Lenze Mechatronic Drives (Shanghai)
Co. Ltd., Section B, 50# building,
No.199 North Ri Ying Road,
Waigaoqiao Free Trade Zone
SHANGHAI, 200131
Phone +86-21-5046 0848
Telefax +86-21-5046 0850

Beijing Office
Shengfu Mansion
No. 37, Maizidian Road
Chaoyang District
BEIJING 100026
Phone +86-10-8527 5005
Telefax +86-10-8527 5004

CROATIA

Lenze Antriebstechnik GmbH
Predstavništvo Zagreb
Ulica Grada Gospica 3
HR-1000 ZAGREB
Phone +385-1-2 49 80 56
Telefax +385-1-2 49 80 57

CZECH REPUBLIC

Lenze, s.r.o.
Central Trade Park D1
396 01 HUMPOLEC
Phone +420 565 507-111
Telefax +420 565 507-399

Büro Červený Kostelec:
17. listopadu 510
549 41 ČERVENÝ KOSTELEČ
Phone +420 491 467-111
Telefax +420 491 467-166

DENMARK *

Lenze A/S
Vallensbækvej 18A
2605 BRØNDBY
Phone +45 / 46 96 66 66
Telefax +45 / 46 96 66 60
24 stunde service +45 / 40 93 04 11

Buero Jylland:
Lenze A/S
Langhøjvej 1
8381 TILST
Phone +45 / 46 96 66 66
Telefax +45 / 46 96 66 80

EGYPT

WADI Co. for technologies
and development
P.O.Box 209, new center Ramses
11794 CAIRO, Egypt
11 Syria St., Mohandessin
GIZA, Egypt
Phone +20 (2) 347 6842
Telefax +20 (2) 347 6843

ESTONIA

see FINLAND

FINLAND *

Lenze Drives
Rykmentintie 2 b
20810 TURKU
Phone +358 2 2748 180
Telefax +358 2 2748 189

FRANCE *

Lenze S.A.
Siege
Z.A. de Chanteloup
Rue Albert Einstein
93603 AULNAY-SOUS-BOIS CEDEX
Services Commerciaux
Tel. 0 825 086 036
Fax 0 825 086 346

Centre de formation
E-Mail : semin.sidonie@lenze.fr

Questions générales / Documentation
E-Mail : info@lenze.fr

Service Après-vente / assistance en ligne
Helpline 24/24 : 0 825 826 117
E-Mail : helpline@lenze.fr

Agences en France
Région France Nord :
Z.A. de Chanteloup
Rue Albert Einstein
93603 AULNAY-SOUS-BOIS CEDEX

Lille
59420 MOUVAUX

Strasbourg
67960 ENTZHEIM

Rouen
76500 ELBEUF

Région France Sud :
Rond point du sans souci
69578 LIMONEST Cedex

Toulouse
31400 TOULOUSE

Agen
47270 SAINT-PIERRE DE CLAIRAC

GREECE

George P. Alexandris S.A.
12K. Mavromichali Str.
185 45 PIRAEUS
Phone +30 (0)210 / 41 11 84 15
Telefax +30 (0)210 / 4 11 81 71
4 12 70 58

183 Monastiriou Str.
546 27 THESSALONIKI
Phone +30 (0)310 / 5 56 65 04
Telefax +30 (0)310 / 51 18 15

HUNGARY *

Lenze Antriebstechnik Handelsgesell-
schaft mbH
2040 BUDAÖRS
Gyár utca 2., P.O.Box 322.
Phone +36 (0)23 / 501-320
Telefax +36 (0)23 / 501-339

ICELAND

see DENMARK

INDIA

Electronic Service:
National Power Systems,
10, Saibaba Shopping Centre
Keshav Rao Kadam Marg,
Off Lamington Rd,
MUMBAI 400 008
Phone +91 22 / 2300 5667, 2301 3712
Telefax +91 22 / 2300 5668

V3 Controls Pvt. Ltd.
1, "Devayani", Next to SBI, Baner ITI Road,
Sanewadi, Aundh,
PUNE 411 007, MS
Phone +91 20 / 25 88 68 62
Telefax +91 20 / 25 88 03 50

Mechanical Service:
Emco Lenze Pvt. Ltd.
1st Floor, Sita Mauli
Madhanal Dhingra Road
Panch Pakhadi, Thane (West)
MAHARASHATRA 400 602
Phone +91 22 / 25 40 54 88
+91 22 / 25 45 22 44
Telefax +91 22 / 25 45 22 33



INDONESIA

see MALAYSIA

IRAN

Tavan Rissan Co. Ltd.
P.O.Box. 19395-5177
No. 44, Habibi St., South Dastour St.,
Sadr EXP'Way,
TEHRAN 19396
Phone +98 21 / 260 26 55
260 67 66
260 92 99
Telefax +98 21 / 200 28 83

ISRAEL *

Greenshpon Engineering Works LTD
Bar-Lev Industrial Park
MISGAV 20179
Phone +972 4 99 13 18 1
Telefax +972 4 99 13 47 7

ITALY *

Gerit Trasmissioni S.r.l.
Viale Monza 338
20128 MILANO
Phone +39 02 / 270 98.1
Telefax +39 02 / 270 98 290

JAPAN *

Miki Pulley Co., Ltd.
1-39-7 Komatsubara, Zama-city
KANAGAWA 228-8577
Phone +81 (0)462 / 58 16 61
Telefax +81 (0)462 / 58 17 04

LATVIA

see LITHUANIA

LITHUANIA

Lenze UAB
Breslaujos g.3
44403 KAUNAS
Phone +370 37 407174
Telefax +370 37 407175

LUXEMBOURG *

see BELGIUM

MACEDONIA

Lenze Antriebsstechnik GmbH
Pretstavništvo Skopje
ul. Nikola Rusinski 3/A/2
1000 SKOPJE
Phone +389 2 30 90 090
Telefax +389 2 30 90 091

MALAYSIA

Lenze S.E.A. Sdn Bhd
No. 28 Jalan PJU 3/47
Sunway Damansara
Technology Park
47810 PETALING JAYA
SELANGOR DARUL EHSAN
Phone +60 3 7803 1428
Telefax +60 3 7806 3728

MAURITIUS

Automation & Controls Engineering Ltd
3, Royal Road, Le Hochet, Terre Rouge
MAURITIUS
Phone +230 248 8211
Telefax +230 248 8968

MEXICO

Automatización y Control
de Energía S.A. de C.V.
Av. 2 No. 89 Esq Calle 13
Col. San Pedro de los Pinos
C.P. 03800 MEXICO D.F.
Phone +52 (55) 2636-3540
Telefax +52 (55) 2636-3541

MOROCCO

GUORFET G.T.D.R
Automatisation Industrielle
Bd Chefchaouni Route 110 km, 11.500
No. 353-Ain-Sabaâ
CASABLANCA
Phone +212/22-35 70 78
Telefax +212/22-35 71 04

NETHERLANDS *

Lenze B.V., Postbus 31 01
5203 DC 'S-HERTOGENBOSCH
Ploegweg 15
5232 BR 'S-HERTOGENBOSCH
Phone +31 (0)73 / 64 56 50 0
Telefax +31 (0)73 / 64 56 51 0

NEW ZEALAND *

Tranz Corporation
343 Church Street
P.O. Box 12-320, Penrose
AUCKLAND
Phone +64 (0)9 / 63 45 51 8
Telefax +64 (0)9 / 63 45 51 8

NORWAY *

Dtc- Lenze as
Stallbakken 5, 2005 RAELINGEN
Phone +47 / 64 80 25 10
Telefax +47 / 64 80 25 11

PHILIPPINES

see MALAYSIA

POLAND

Lenze-Rotiw Sp. z o.o.
ul. Rożdzeńskiego 188b
40-203 KATOWICE
Phone +48 (0)32 / 2 03 97 73
Telefax +48 (0)32 / 7 81 01 80
Lenze Systemy Automatyki Sp. z o.o.
Ul. Rydygiera 47
87-100 TORUN
Phone +48 (0)56 / 6 58 28 00
6 45 34 60
6 45 35 70
Telefax +48 (0)56 / 6 45 33 56

PORTUGAL *

Costa Leal el Victor
Electronica-Pneumatica, Lda.
Rua Prof. Augusto Lessa, 269,
Apart. 52053
4202-801 PORTO
Phone +351-22 / 5 50 85 20
Telefax +351-22 / 5 02 40 05

ROMANIA

see AUSTRIA

RUSSIA

Inteldrive
1-st Buhvostova Street 12/11
Korpus 18 Office 213
MOSCOW 107258
Phone +7 (0) 095 / 748 78 27
Telefax +7 (0) 095 / 963 96 86

SERBIA-MONTENEGRO

see MACEDONIA

SINGAPORE *

see MALAYSIA

SLOVAC REPUBLIC

ECS Sluzby spol. s.r.o.
Staromlynska 29
82106 BRATISLAVA
Phone +421 2 45 25 96 06
+421 2 45 64 31 47
+421 2 45 64 31 48
Telefax +421 2 45 25 96 06

SLOVENIA

Lenze pogonska tehnika GmbH
Zbiljska Cesta 4
1215 MEDVODE
Phone +386 (0)1 361 61 41
Telefax +386 (0)1 361 22 88

SOUTH AFRICA *

S.A. Power Services (Pty.) Ltd.
Unit 14, Meadowbrook Business Estates
Jacaranda Ave, Olivedale
Randburg 2158
P.O.Box 1137
RANDBURG 2125
Phone +27(11) 462-8810
Telefax +27(11) 704-5775

SOUTH KOREA *

Hankuk Mechatro Ltd.
Room# 1409
Samhwan officetel 830-295
Beomil-dong, Dong-Gu
PUSAN
Phone +82 (0)51-635-6663
Telefax +82 (0)51-635-6632

SPAIN *

Lenze Transmisiones, S.A. (Headquarter)
Milà i Fontanals, 135-139
08205 SABADELL
Barcelona
Phone +34 937 207 680
Telefax +34 937 120 215
Lenze Delegación Bilbao
Pl. Ibarra Barri. Ed. METRO 2º-E
48940 LEJONIA
Vizcaya
Phone +34 944 630 510 / 507
Telefax +34 944 314 196

Lenze Delegación Levante
Cullera, 73 - 4ºD
46035 BENIMAMET
Valencia
Phone +34 963 905 220/335
Telefax +34 963 900 647

Lenze Delegación Madrid
Arturo Soria, 187 - Of. 8
28043 MADRID
Phone +34 915 103 341
Telefax +34 915 102 061

SWEDEN *

Lenze Transmissioner AB
P.O.Box 10 74, Attorpsgatan, Tornby Ind.
58110 LINKÖPING
Phone +46 (0)13 / 35 58 00
Telefax +46 (0)13 / 10 36 23

SWITZERLAND *

Lenze Bachofen AG
Ackerstrasse 45
8610 USTER
Phone +41 (0) 43 399 14 14
Telefax +41 (0) 43 399 14 24
Vente Suisse Romande:
Route de Prilly 25
1023 CRISSIER
Phone +41 (0)21 / 63 72 19 0
Telefax +41 (0)21 / 63 72 19 9

SYRIA

Zahabi Co.
8/5 Shouhadaa Street
P.O.Box 8262
ALEPPO-SYRIA
Phone +963 21 21 22 23 5
Telefax +963 21 21 22 23 7

TAIWAN *

Lenze Taiwan Representative Office
4F, No. 5, Lane 83, Sec. 1
Kuang-Fu Road, San-Chung City
TAIPEI Hsien
Taiwan 241, R.O.C.
Phone +886 / (0)2-2995-8529
Telefax +886 / (0)2-2999-3775

ACE Pillar Co., Ltd.
2F, No. 7, Lane 83, Sec. 1
Kuang-Fu Road, San-Chung City
TAIPEI Shieng
Phone +886 / (0)2-2995-8400
Telefax +886 / (0)2-2995-3466

THAILAND

see MALAYSIA

TUNESIA

AMF Industrielle Sarl
Route de Gremda - Km 0,2
Immeuble El Madina,
Centre Bloc B - 5 ème - appt 52
3002 SFAX
Phone +216 74 403 514
Telefax +216 74 402 516

TURKEY

LSE Elektrik
Elektronik Makina
Otomasyon Mühendislik
San. Ve Tic. Ltd. Şti.
Atatürk mah. Cumhuriyet cad.
Yurt sok. No:7
ÜMRANİVE/İSTANBUL
Phone +90 (0)216 / 316 5138 pbx
Telefax +90 (0)216 / 443 4277
Bursa Address:
Demirtaspaşa Mh.
Ata Sk. Petek Bozkaya İş Merkezi
D Blok No :5 / A
OSMANGAZI / BURSA
Phone +90 (0)224-2733232 pbx
+90 (0)224-2734151
+90 (0)224-2733238
Telefax +90 (0)224-2734150

UKRAINE

SV Altera, Ltd.
Lepse ave., 4
KIEV, 03067
Phone +38 044 496 18 88
Telefax +38 044 496 18-18

UNITED ARAB EMIRATES

LPT (FZC)
Executive Suite X4-37
P.O. Box: 9304, SAIF ZONE
SHARJAH AIRPORT INTERNATIONAL
FREE ZONE (SAIF ZONE)
Phone +971 6 5573205
Telefax +971 6 5573206

UNITED KINGDOM/EIRE *

Lenze Ltd.
Caxton Road
BEDFORD MK 41 OHT
Phone +44 (0)1234 / 32 13 21
Telefax +44 (0)1234 / 26 18 15

USA *

AC Technology Corp.
630 Douglas Street
UXBRIDGE, MA 01569
Phone +1 508 / 278-9100
Telefax +1 508 / 278-7873

Lenze Corporation
1730 East Logan Avenue
EMPORIA, KS 66 801
Phone +1 620 / 343-8401
+1 888 / 269-2381
Telefax +1 620 / 342-2595
+1 800 / 469-0931

Lenze DETO Drive Systems USA, LLC
5912 Sterling Drive
HOWELL, MI 48843
Phone +1 517 / 586-4057
Telefax +1 517 / 586-4058

VIETNAM

see MALAYSIA



* Countries connected to the free expert helpline 008000 24 hours (008000 24 46877)

It's good to know | why we are there for you



"Our customers come first. Customer satisfaction is what motivates us. By thinking in terms of how we can add value for our customers we can increase productivity through reliability."



"The world is our marketplace. We develop and manufacture internationally. Wherever you are in the world, we are nearby."



"We will provide you with exactly what you need – perfectly co-ordinated products and solutions with the right functions for your machines and installations. That is what we mean by 'quality'."



"Take advantage of our wealth of expertise. For more than 50 years we have been gathering experience in various fields and implementing it consistently and rigorously in our products, motion functions and preprepared solutions for industry."



"We identify with your targets and strive towards a long-term partnership which benefits both sides. Our competent support and consultation process means that we can provide you with tailor-made solutions. We are there for you and can offer assistance in all of the key processes."

You can rely on our service. Expert advice is available 24 hours a day, 365 days a year, in more than 30 countries via our international helpline: 008000 24 Hours (008000 2446877).

www.Lenze.com

13064760